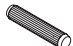


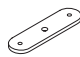




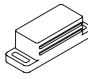





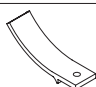
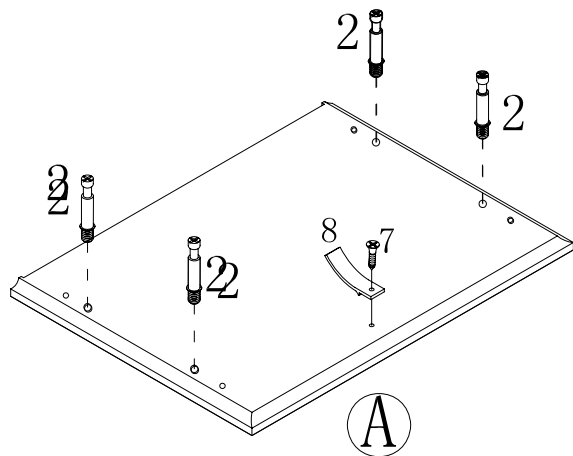





1		12ks	9		2. 2x10mm	14 ks
2		12 ks	10			1 ks
3		4ks 15x12mm	11			2 ks
4		2 ks 2. 5x12mm	12			2ks
5		1ks	13		15x9. 5mm	8 ks
6		2ks	14		4x30mm	4 ks
7		10 ks 3x12mm	15			4ks
8		1 ks				

1

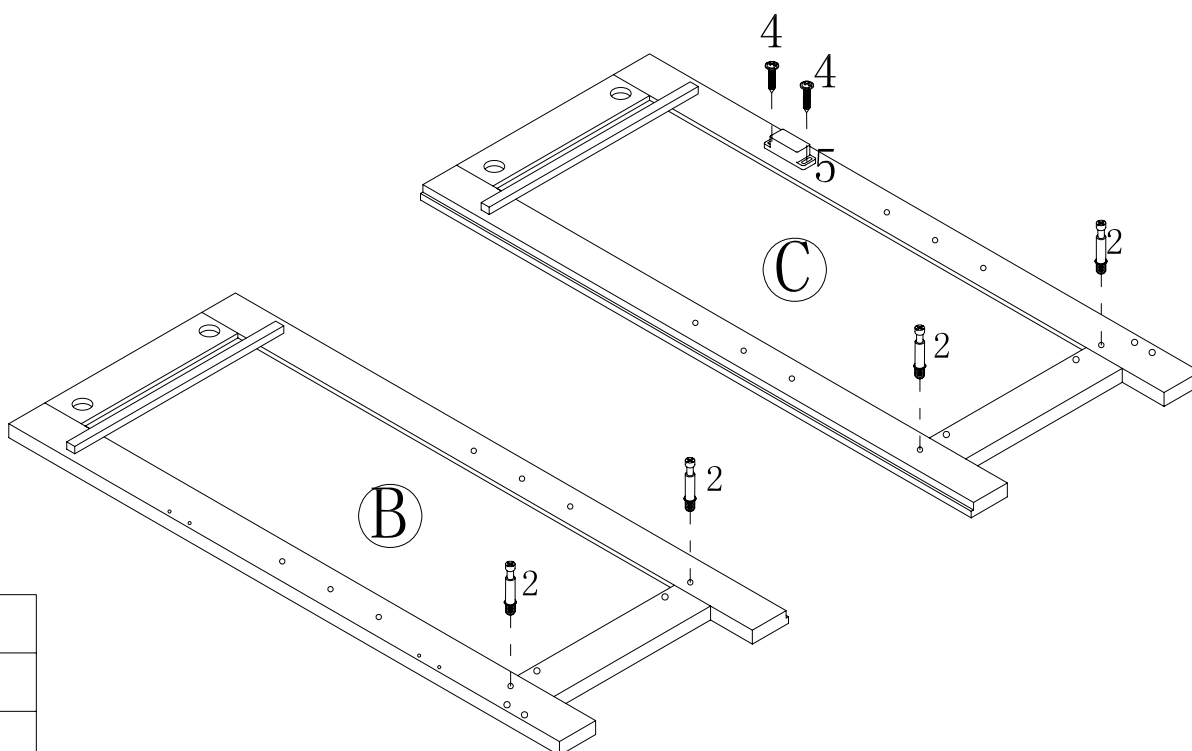



 (2)x4ks


 (7)x1ks


 (8)x1ks

2

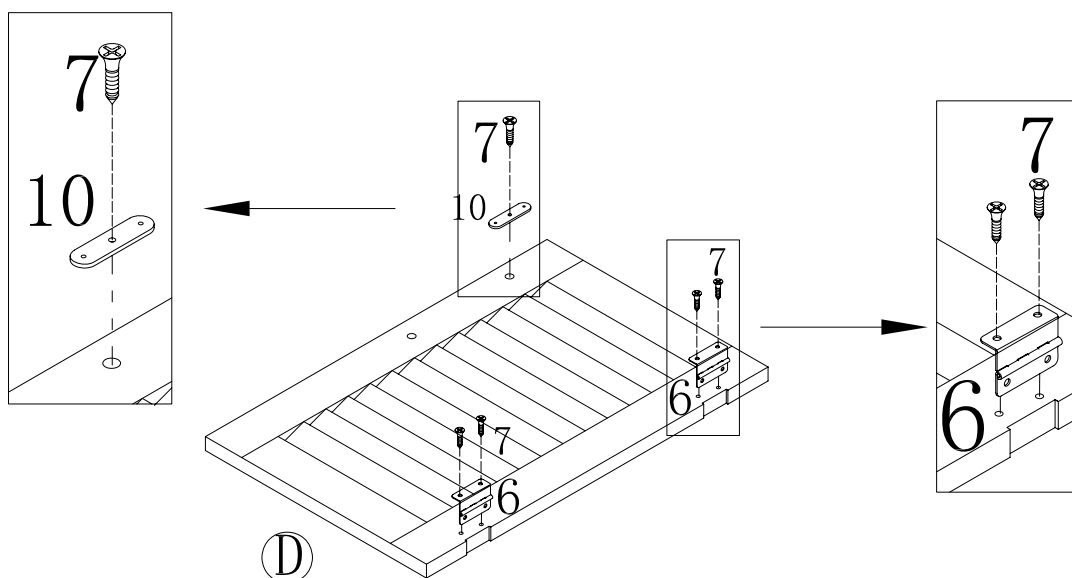


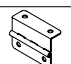
 (2)x4ks


 (4)x2ks


 (5)x1ks

3

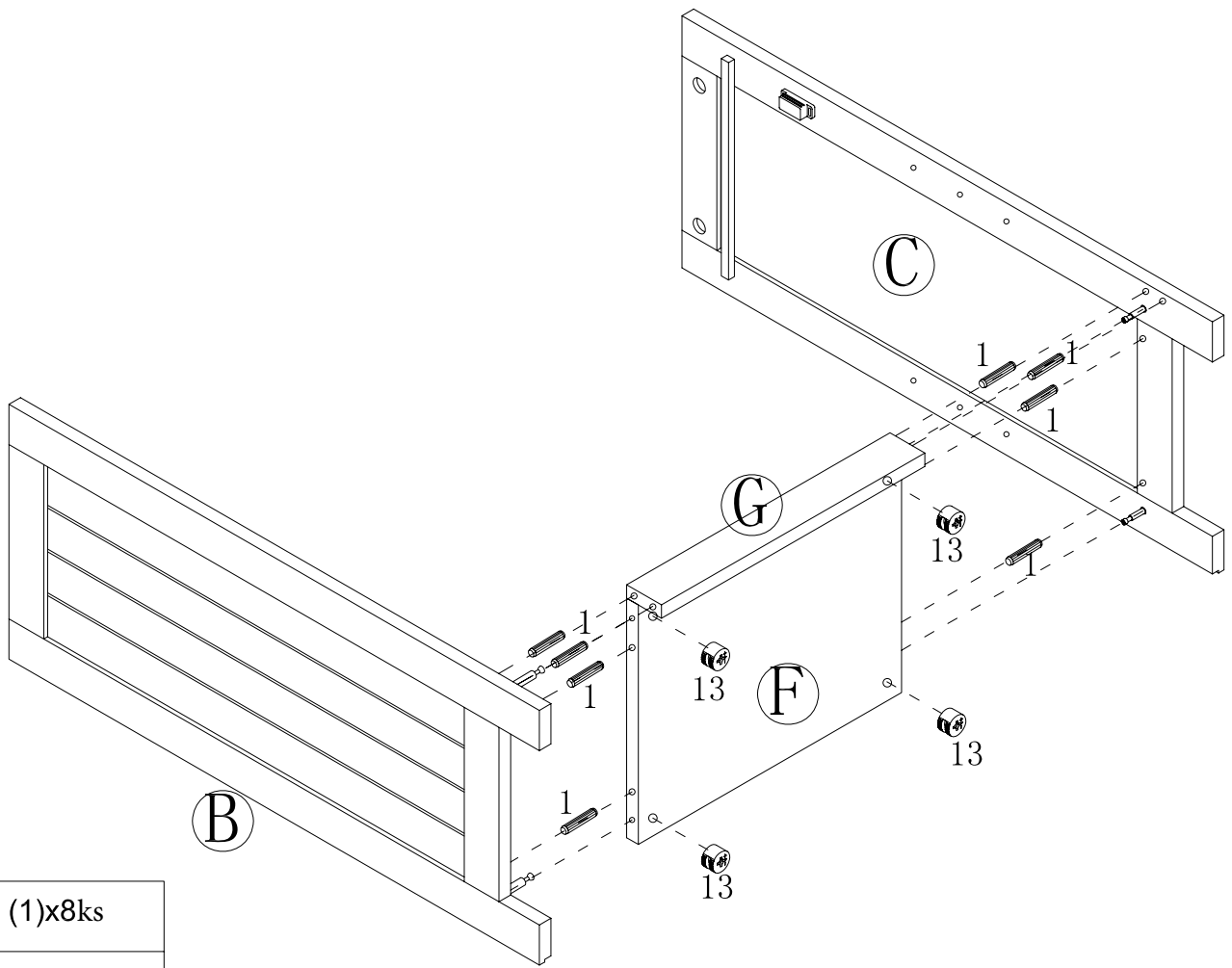


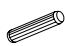

 (6)x2ks

 (7)x5ks

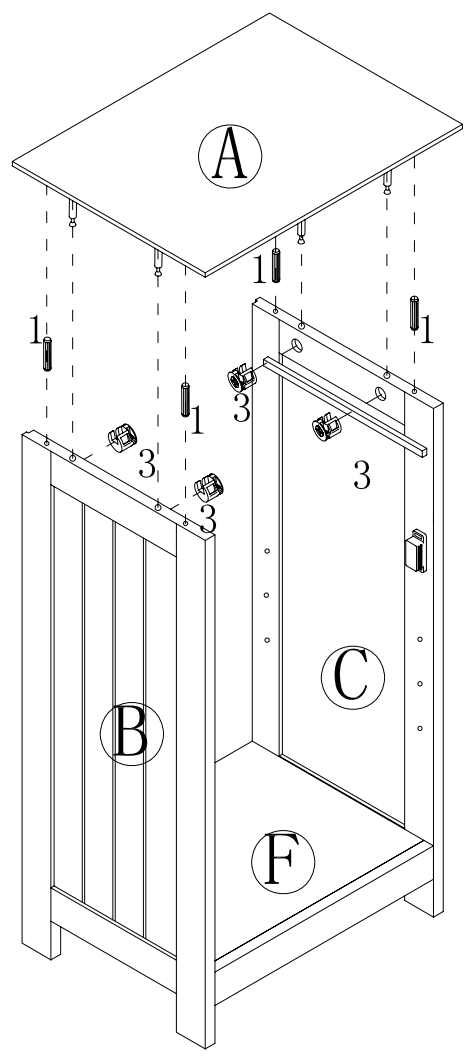
 (10)x1ks

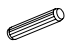

4



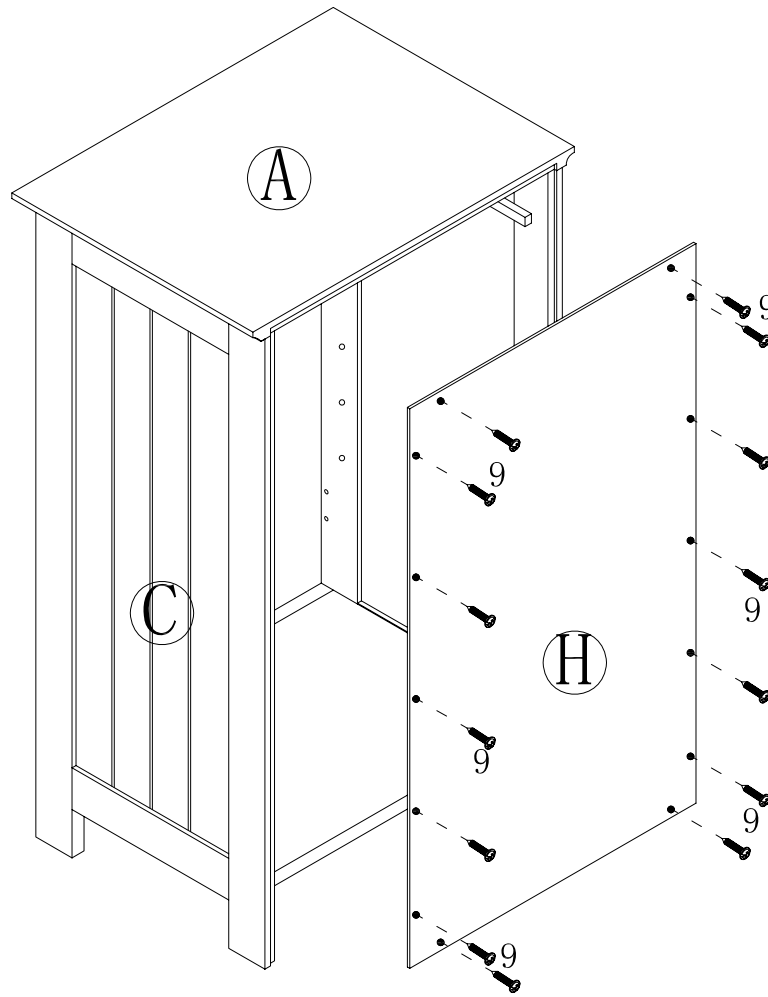
-  (1)x8ks
-  (13)x4ks


5



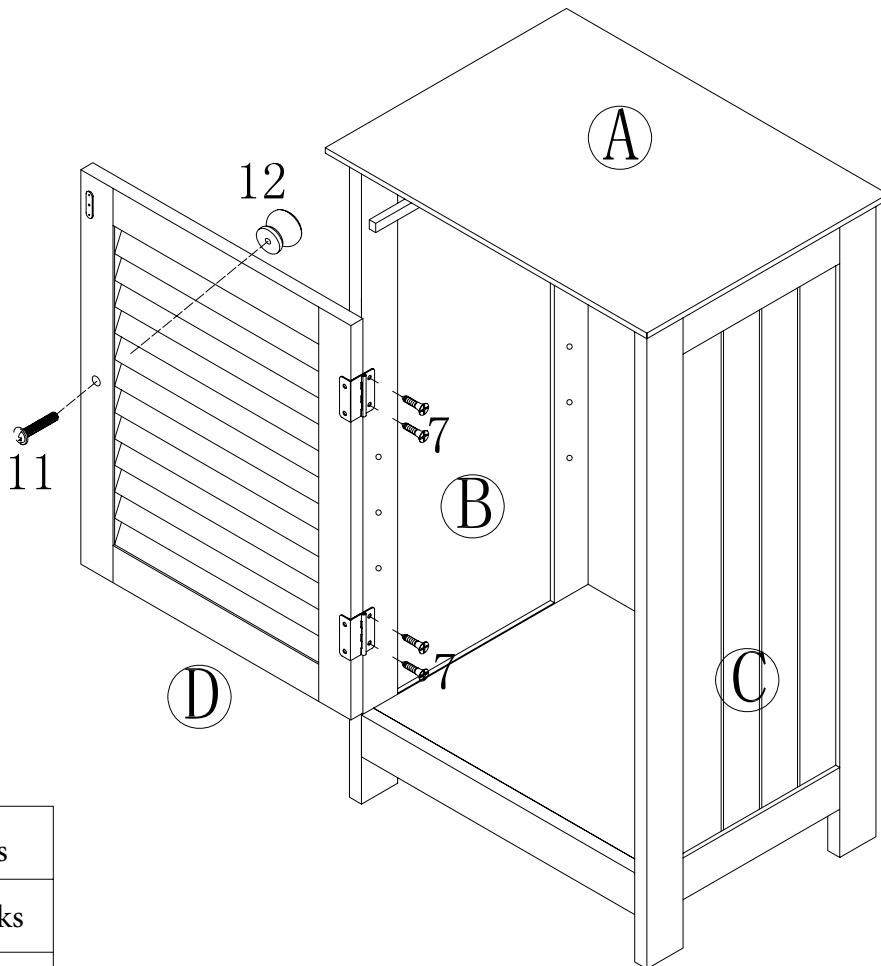
-  (1)x4ks
-  (3)x4ks


6





 (9)x14ks

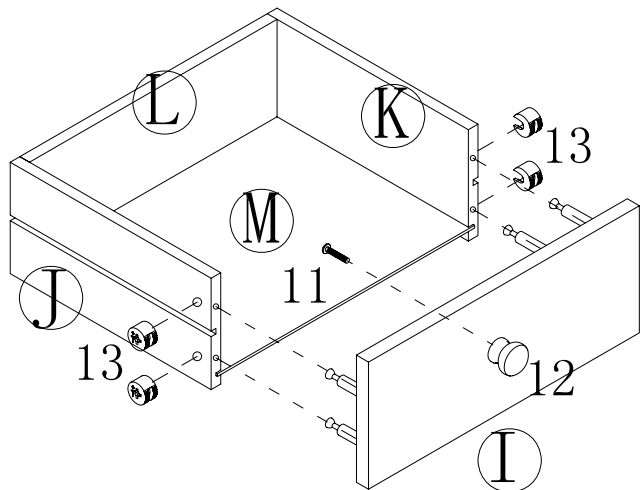
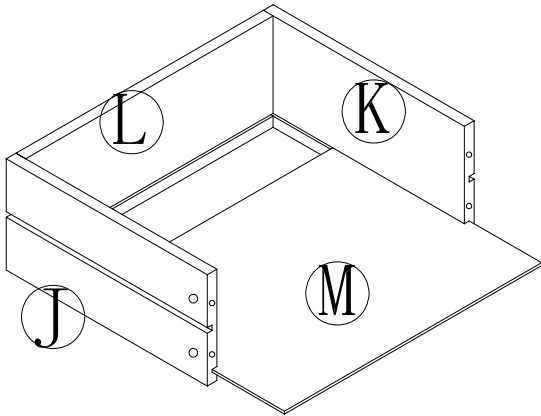
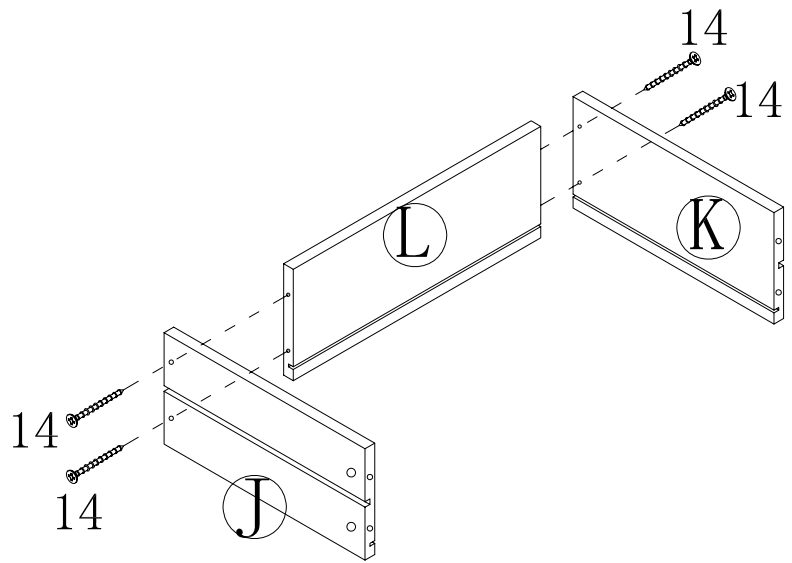
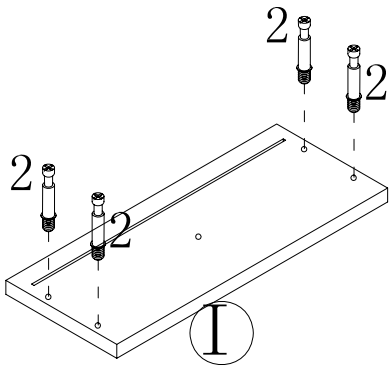
7

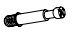






 (7)x4ks

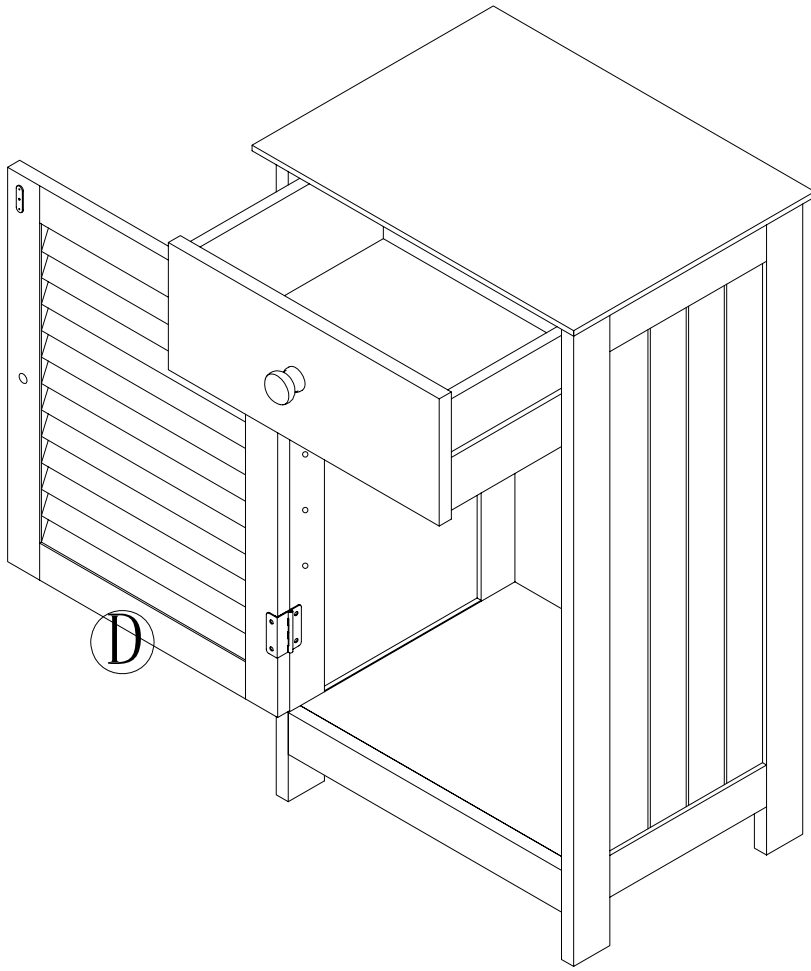
 (11)x1ks

 (12)x1ks

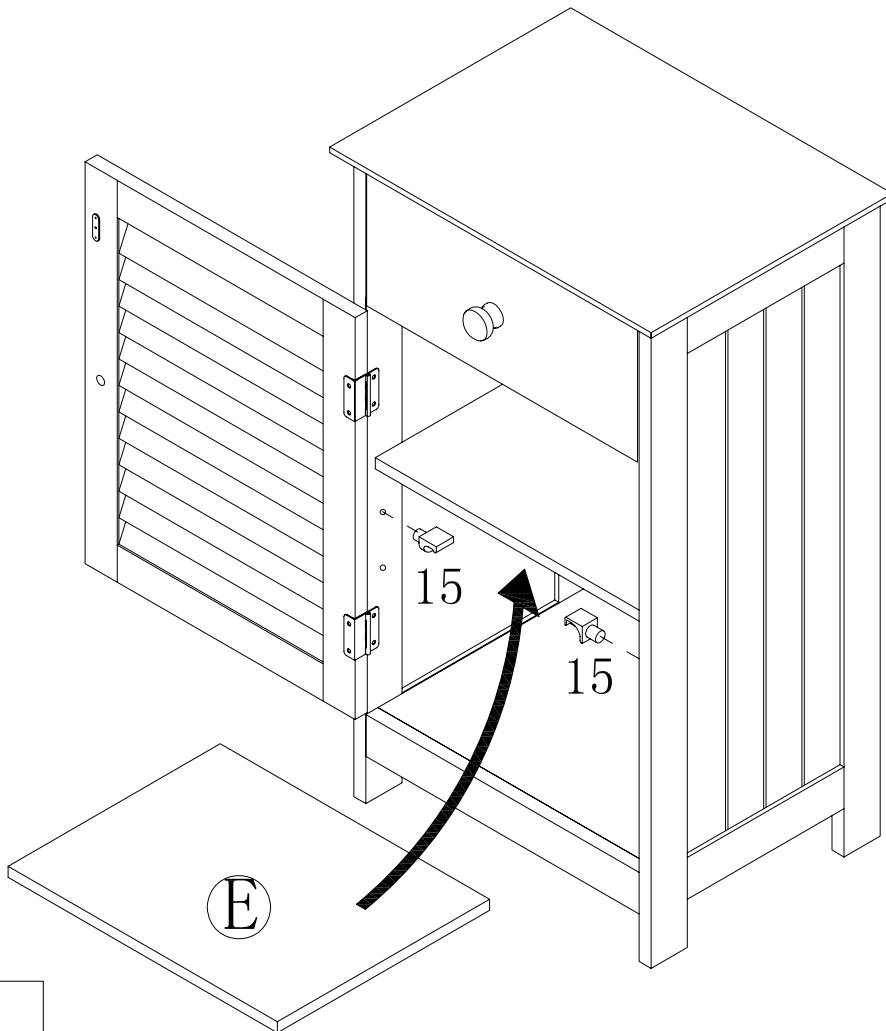


	(2)x4ks
	(11)x1ks
	(12)x1ks
	(13)x4ks
	(14)x4ks

9



10



(15)x4ks