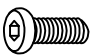




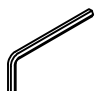
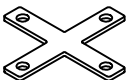
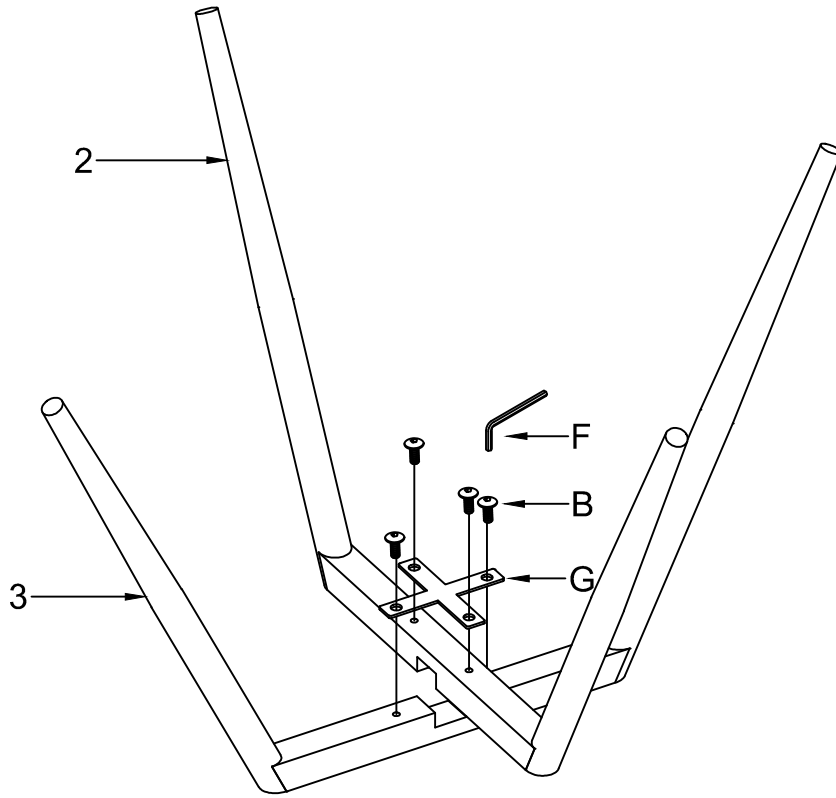
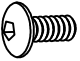
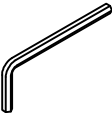
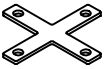



<b>A</b> M6X20  6x	<b>B</b> M6x13  4x	<b>C</b> M6x30  2x	<b>D</b> Ø18xØ6x1.5  8x	<b>E</b> Ø18xØ8x10  2x	<b>F</b> 4MM  1x
<b>G</b> T2.0x90x90  1x					

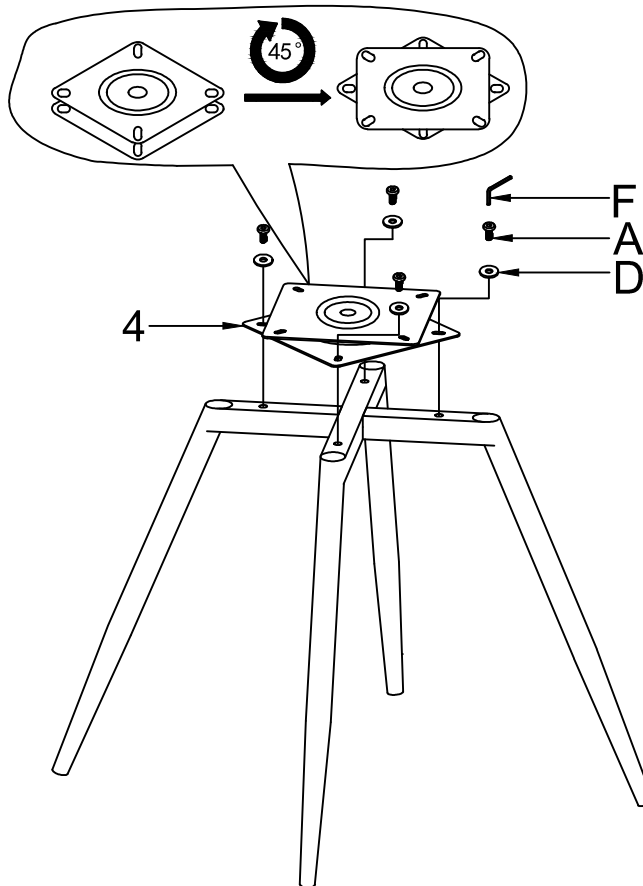
I.

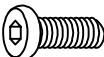

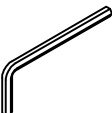

1



B	M6x13		4x
F	4MM		1x
G	T2.0x90x90		1x
			

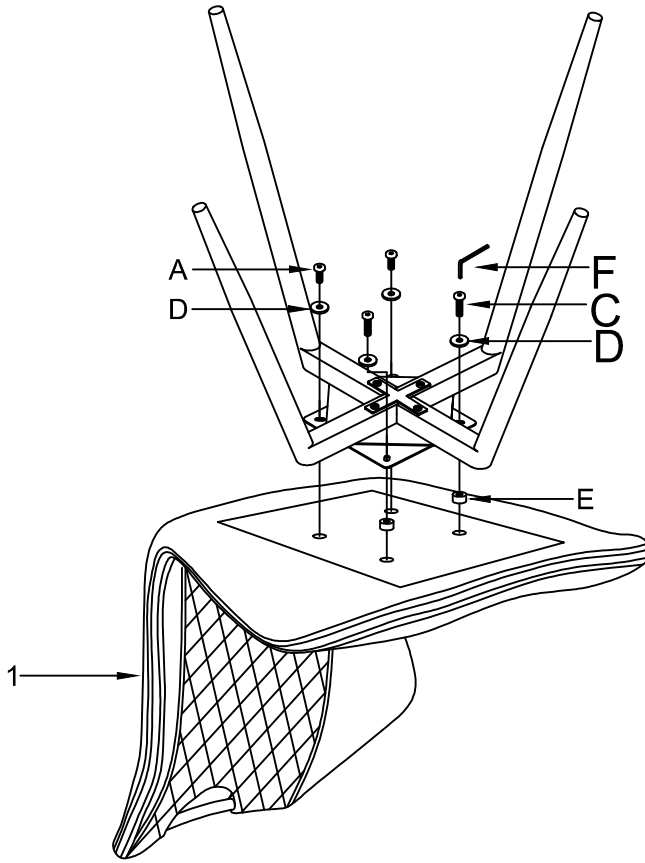
2

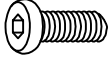



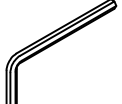



A	M6X20		4x
D	Ø18xØ6x1.5		4x
F	4MM		1x
			

II.

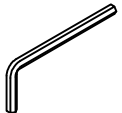
3



A	M6X20		2x
C	M6X30		2x
D	Ø18xØ6x1.5		4x
E	Ø18xØ8x10		2x
F	4MM		1x
			

4



F	4MM		1x
