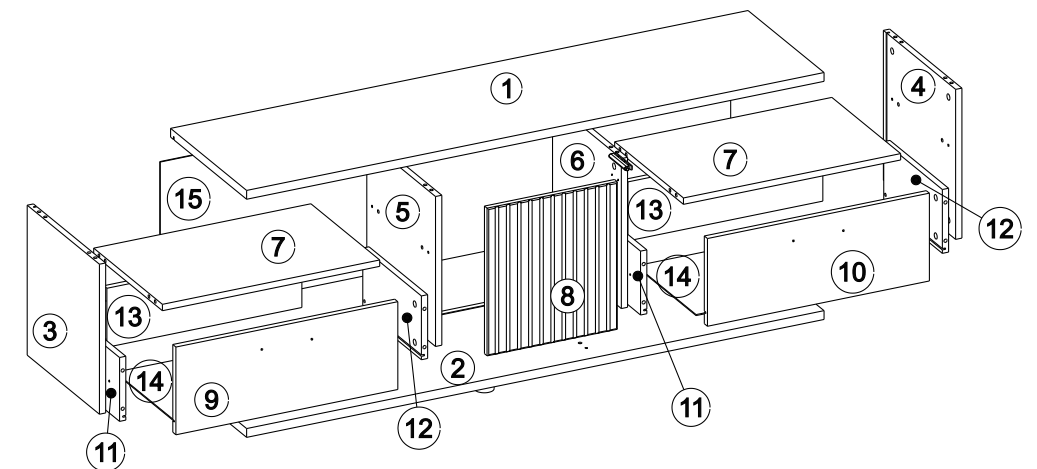
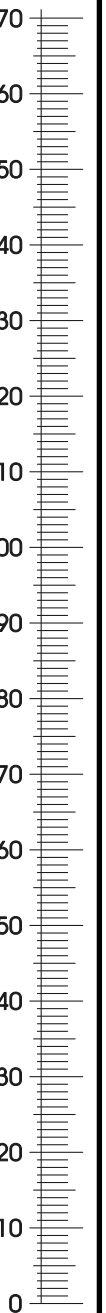
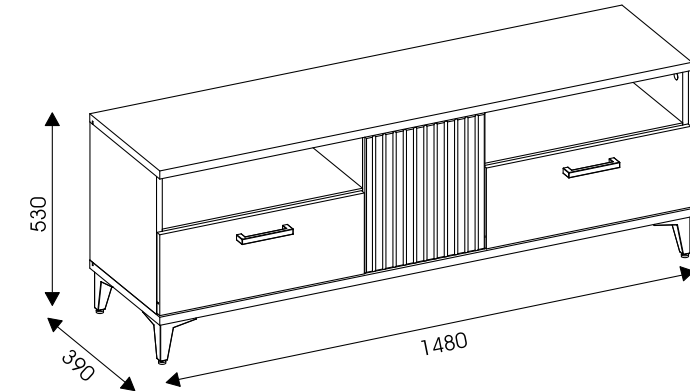
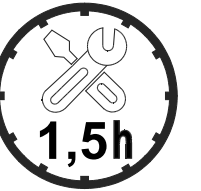
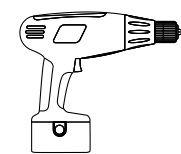
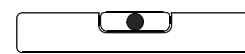
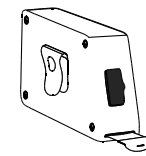
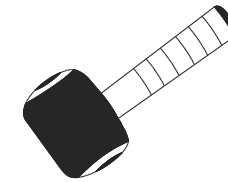
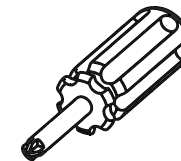
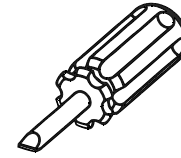
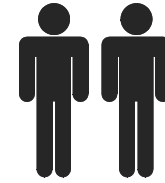
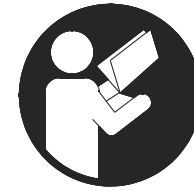
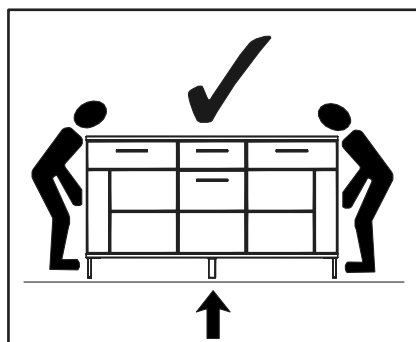
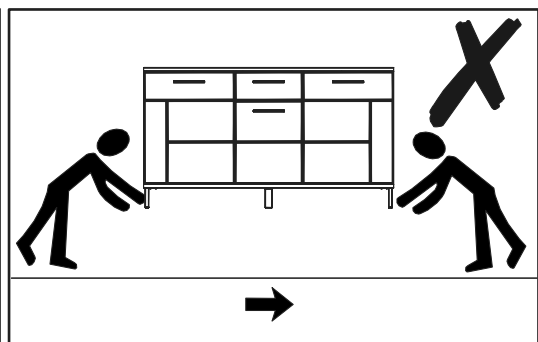
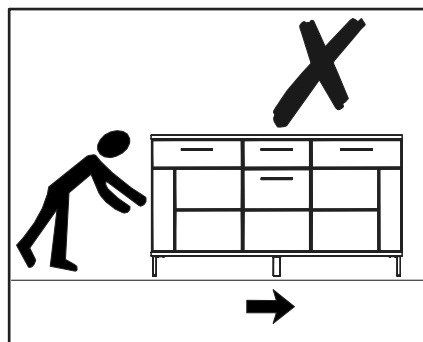
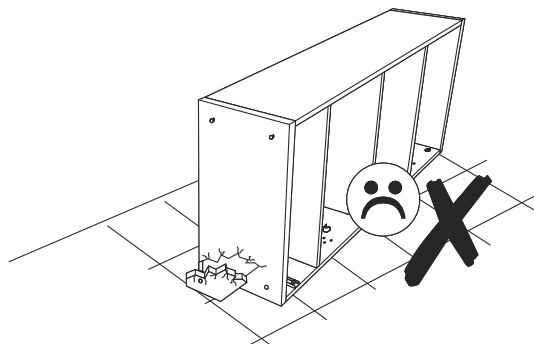
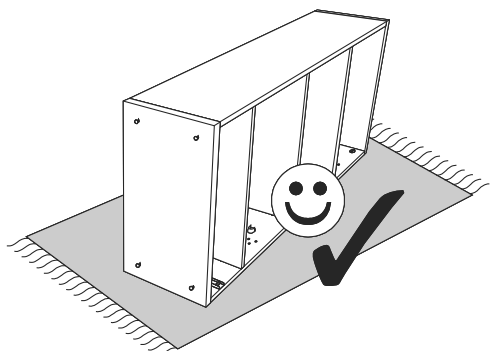
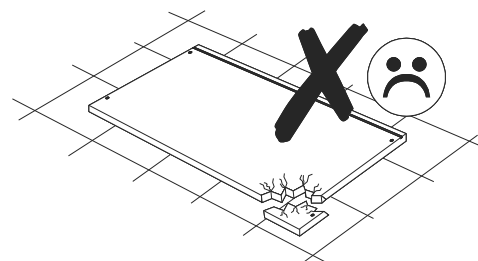
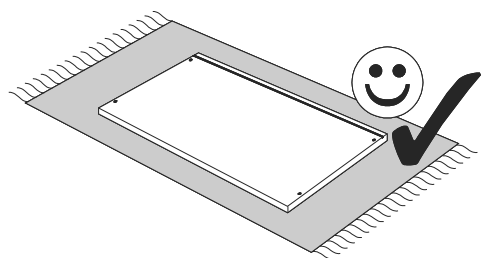
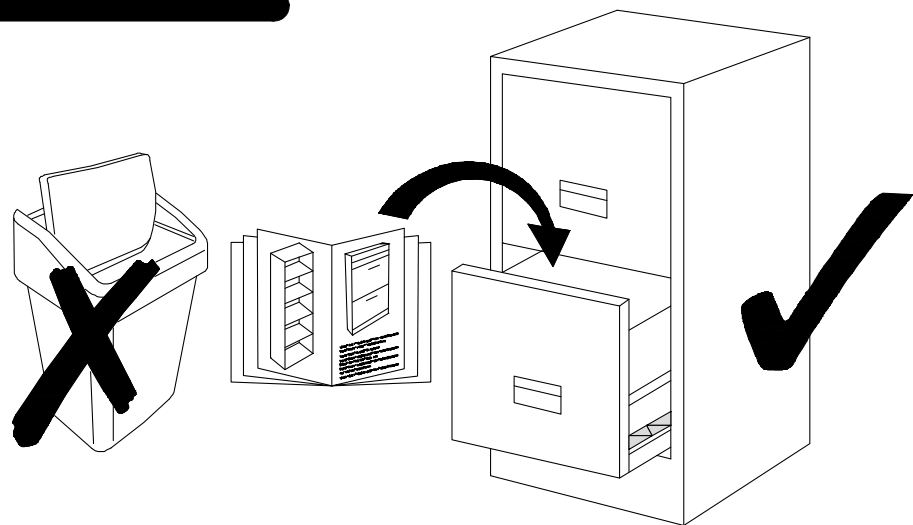


# MODELL: A501

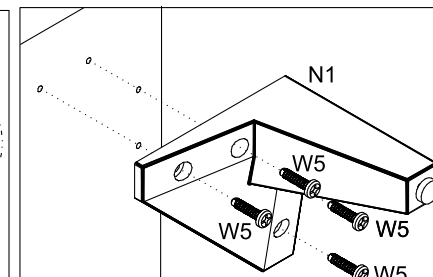
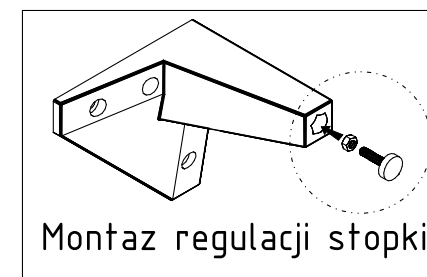
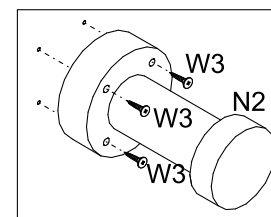
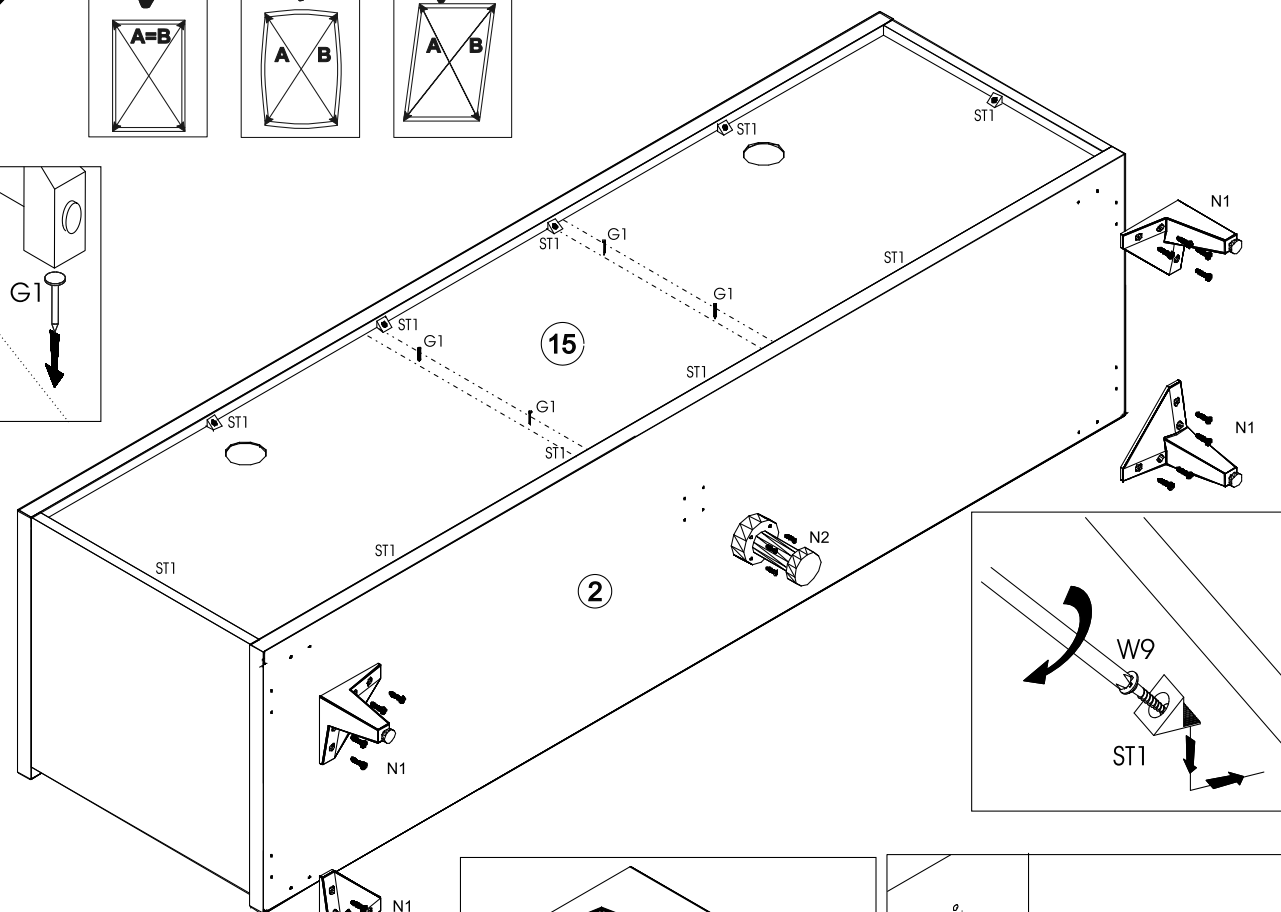
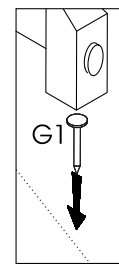
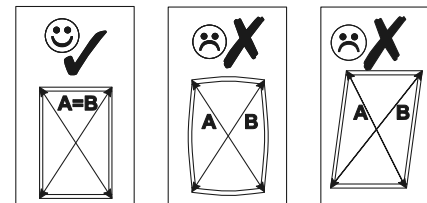


8	370x333	1/3			
7	556x352	3/3	15	1460x390	1/3
6	376x352	2/3	14	306x514	1/3
5	376x352	2/3	13	499x148	3/3
4	376x370	2/3	12	300x160	3/3
3	376x370	2/3	11	300x160	3/3
2	1478x389	1/3	10	568x220	1/3
1	1478x389	1/3	9	568x220	1/3

1x	16x	2x							
32x	10x	12x	2 kpl.	8x	12x	1x	4x	4x	
#20/863	3.5x16	#300	#14/863	3x20	H=0	4x30	2x20	5x11	
8x	24x	2x	1x	32x	32x	2x	16x	16x	
6.4x50	8x30			#15/15					

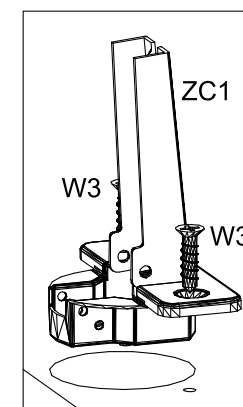
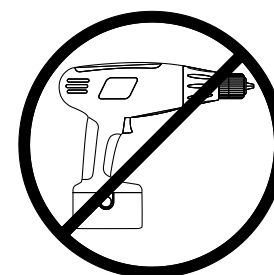
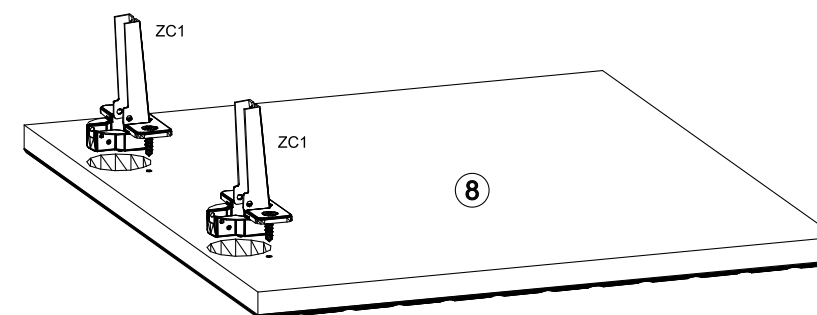


7



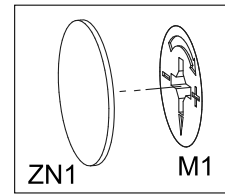
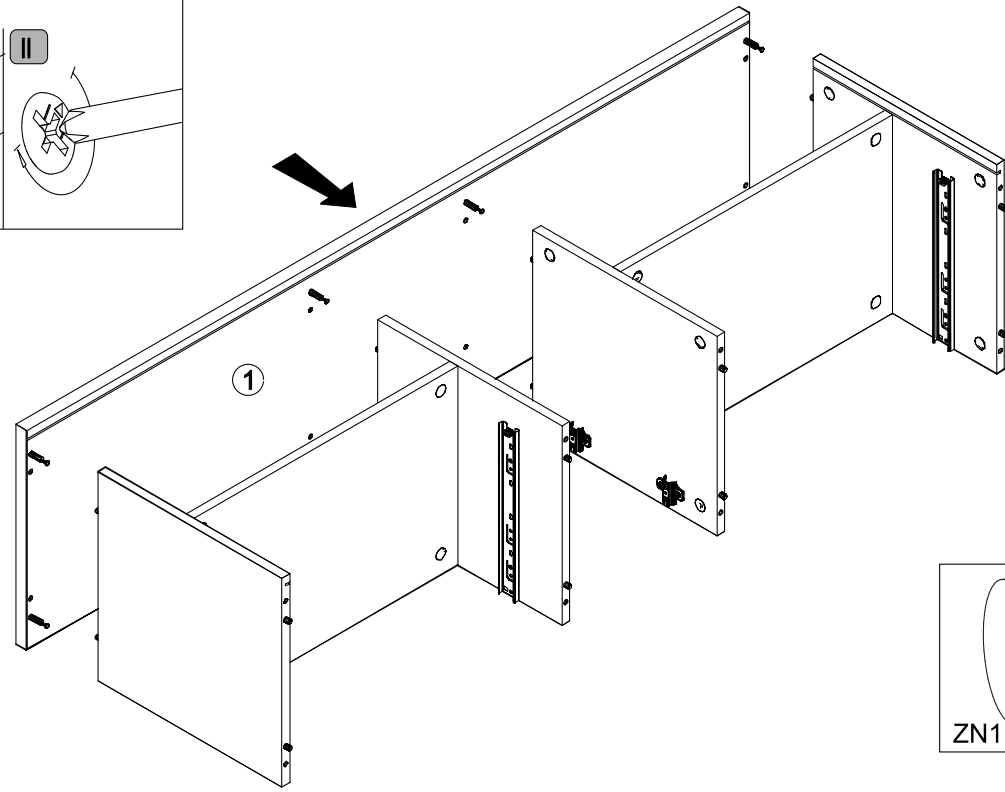
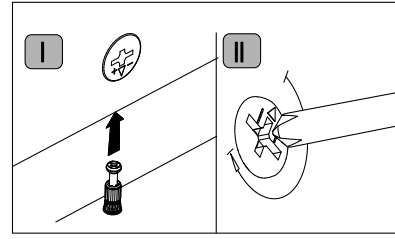
Montaz regulacji stopki

8

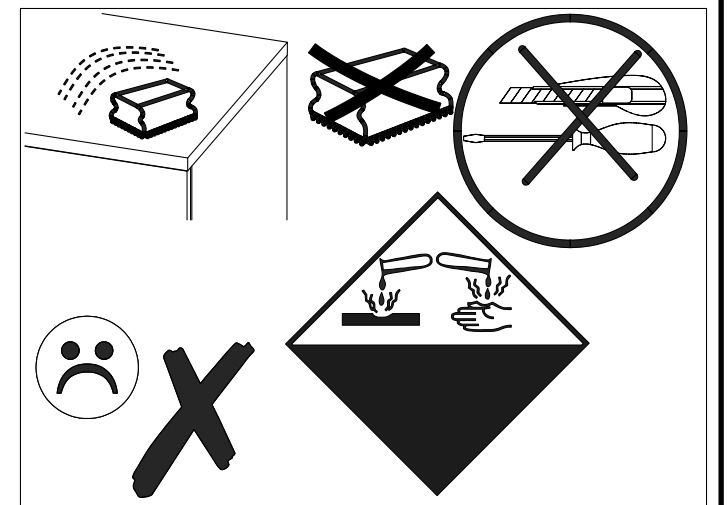
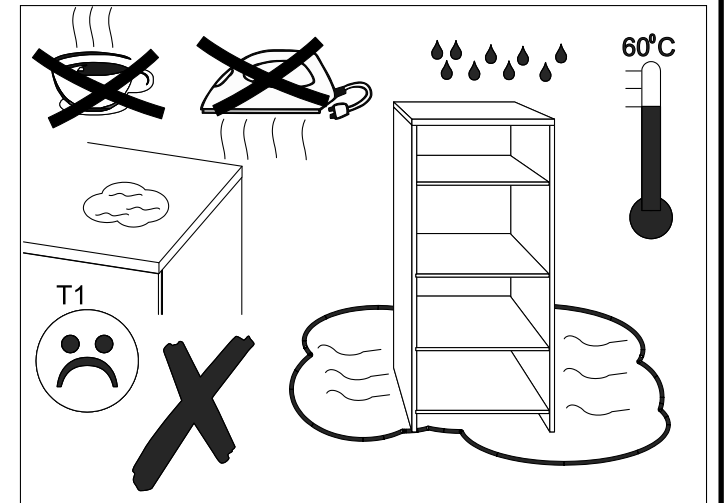
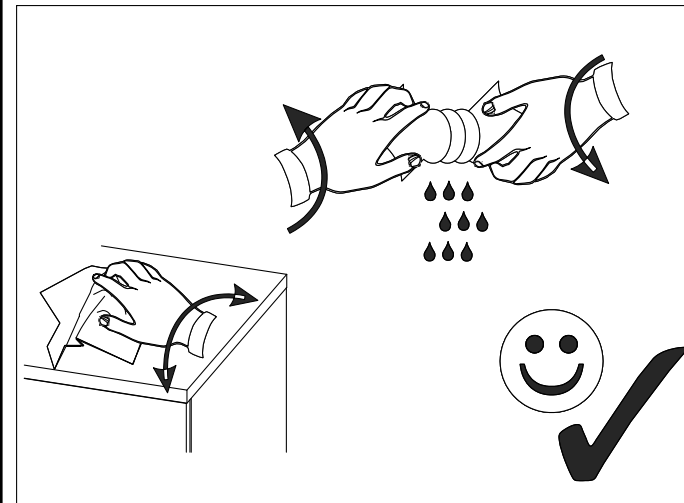
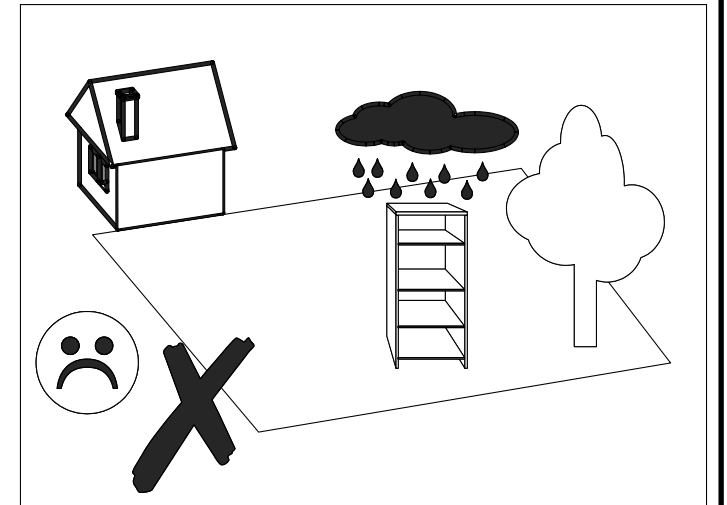
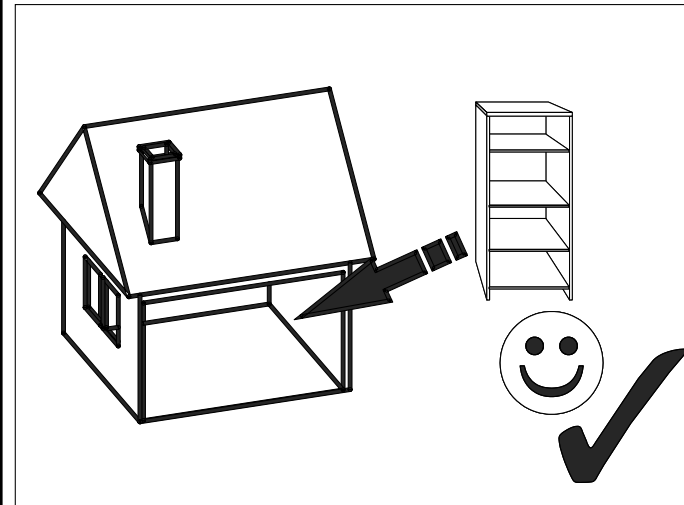
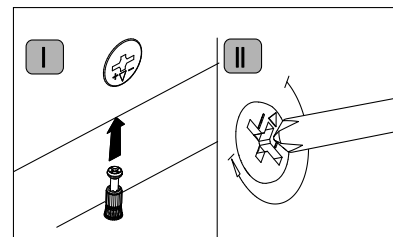
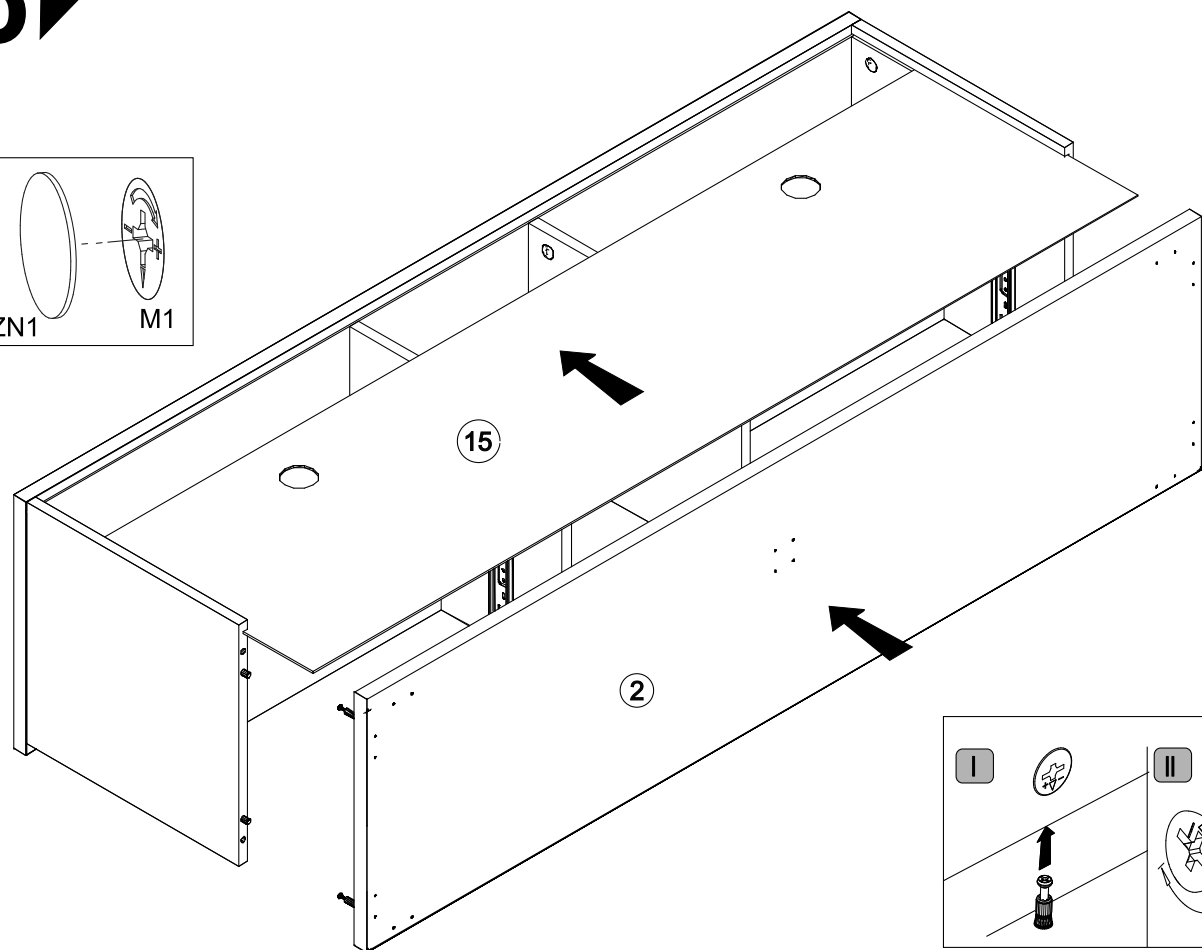
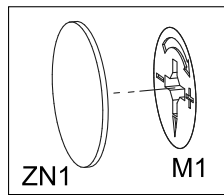


5▶

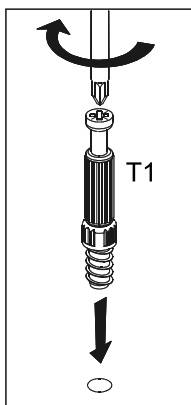
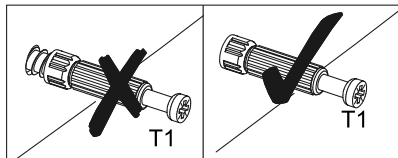
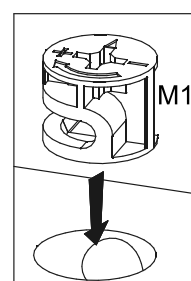
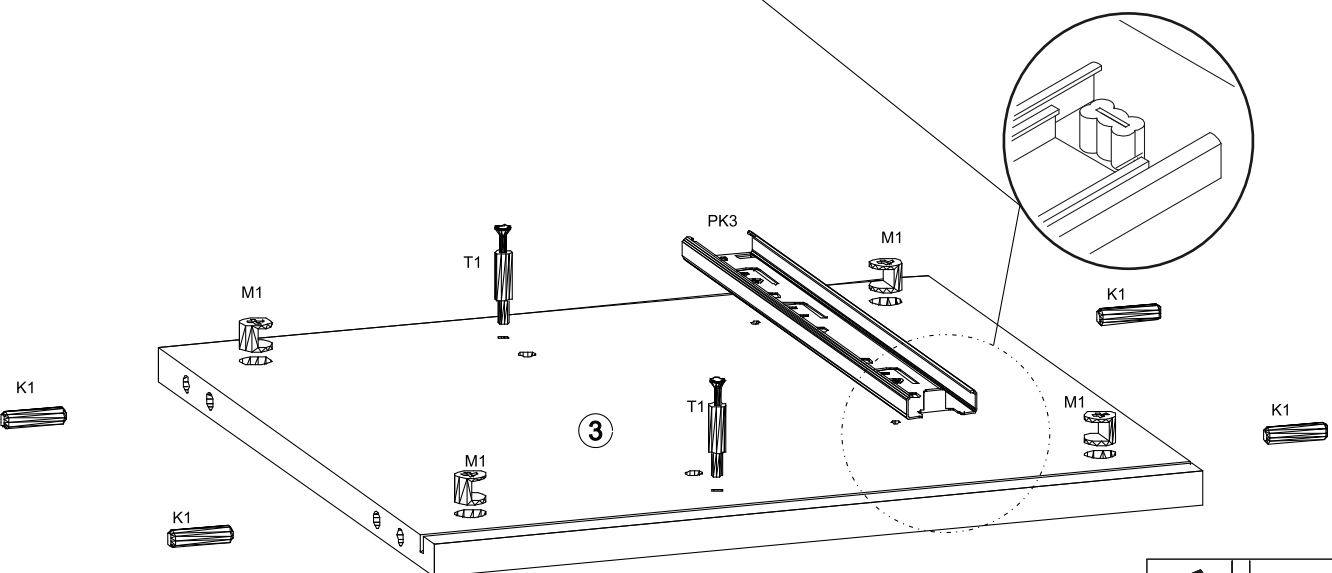
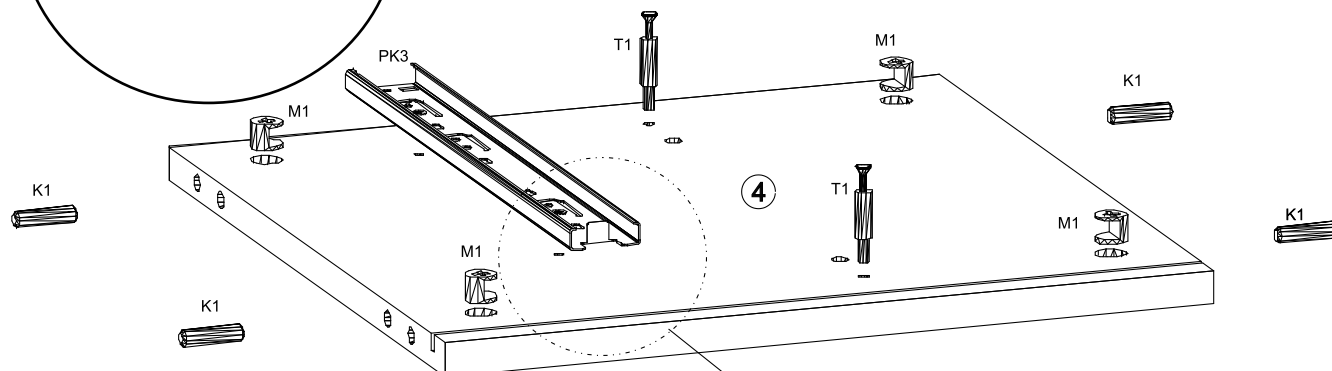
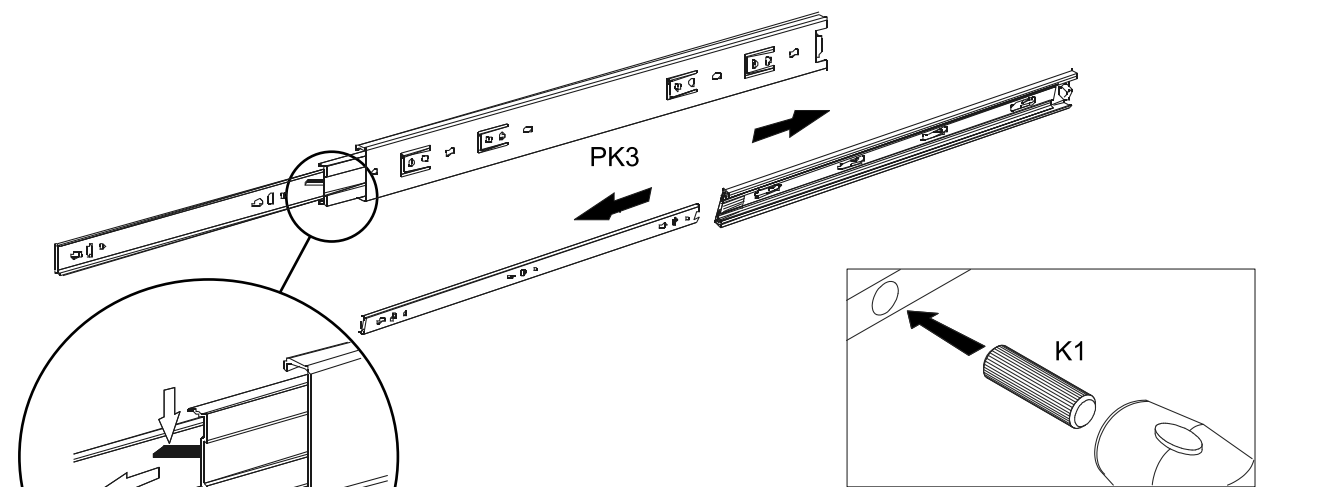
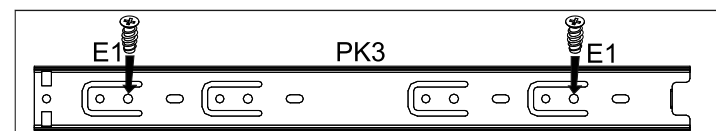
AS01



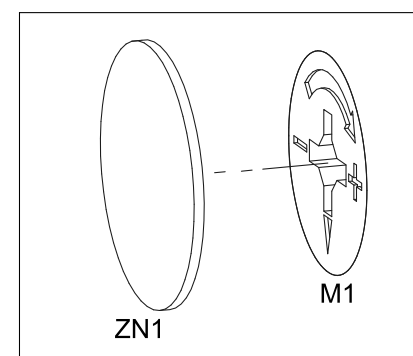
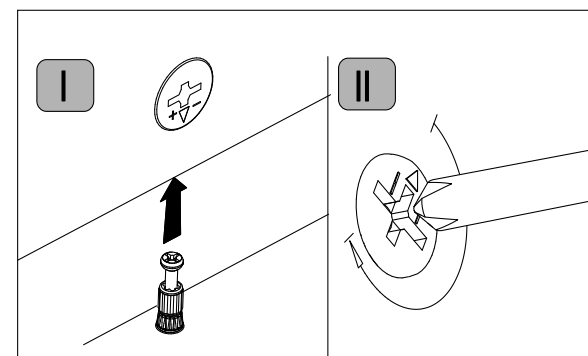
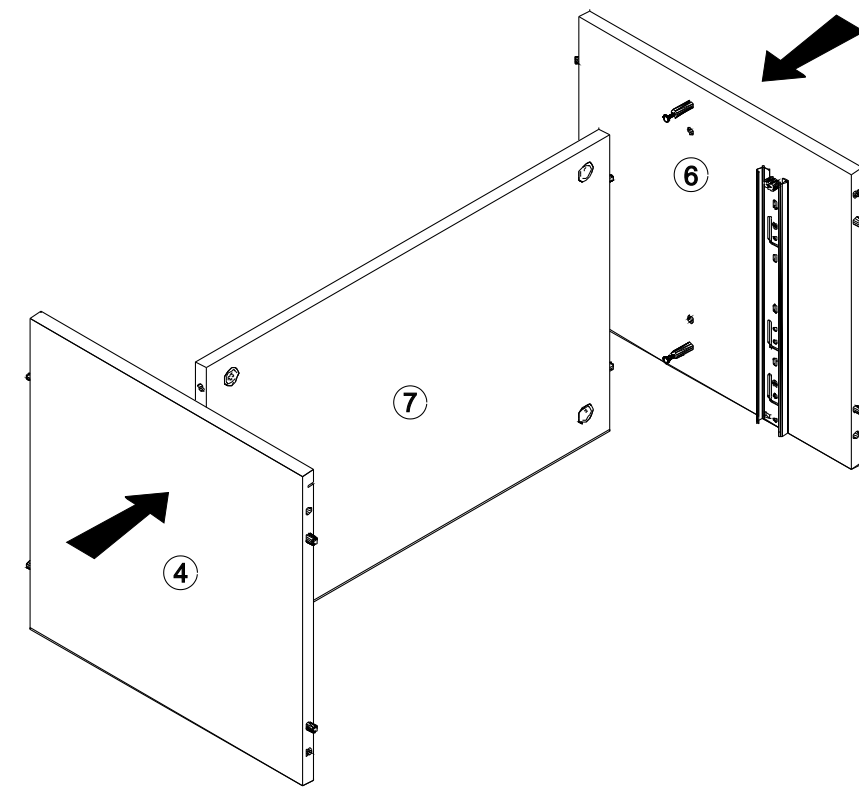
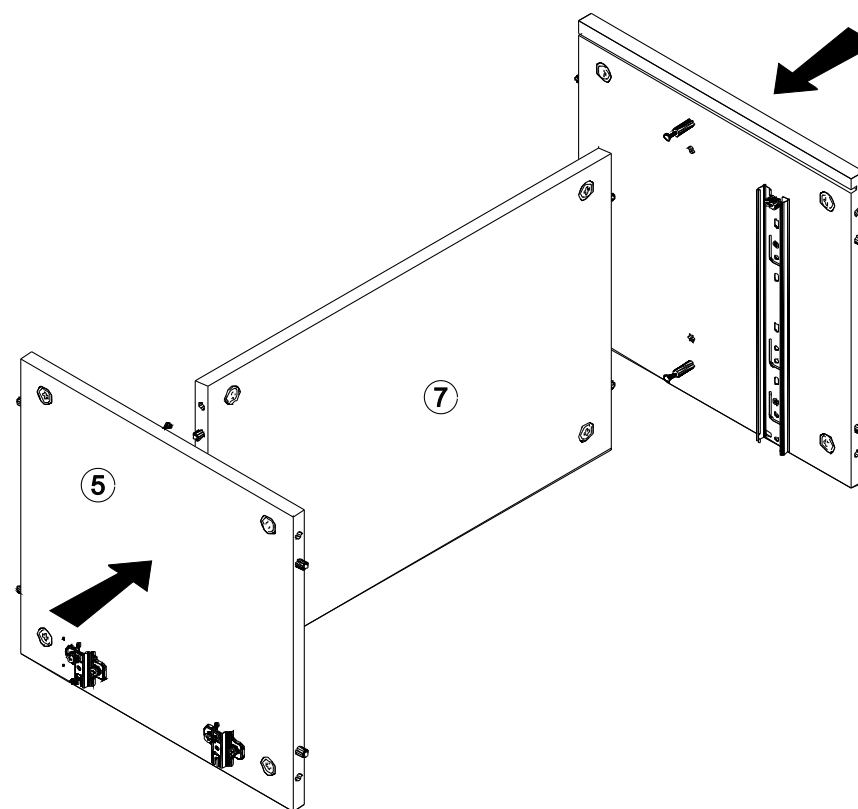
6▶



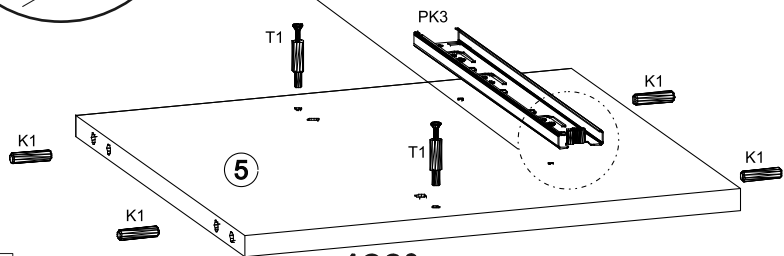
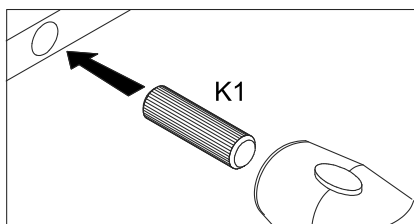
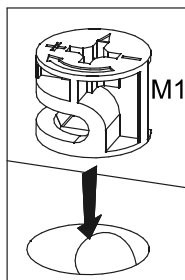
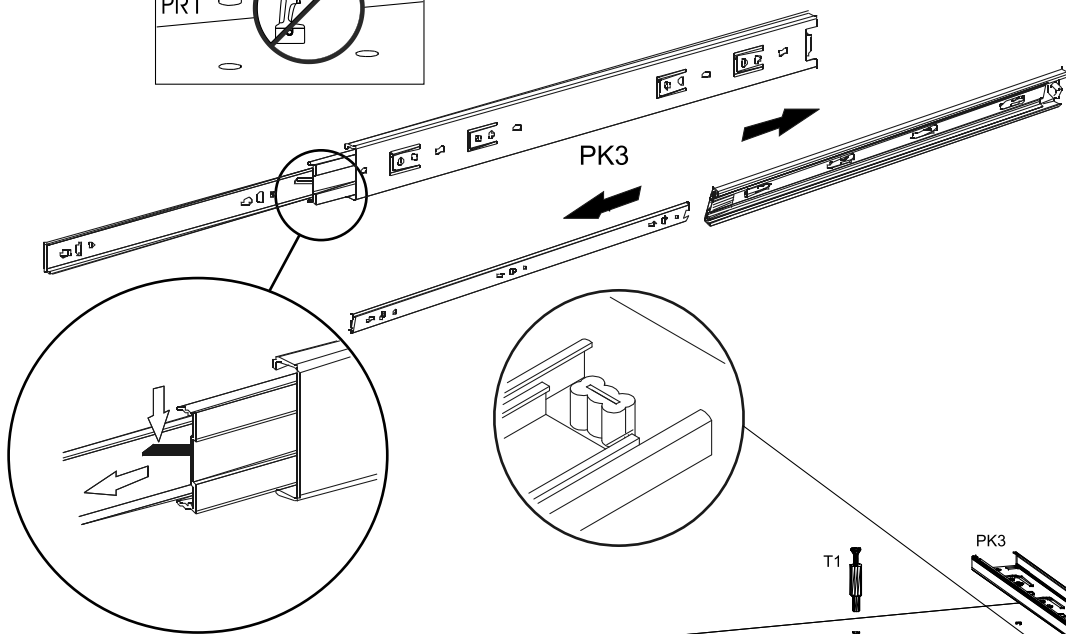
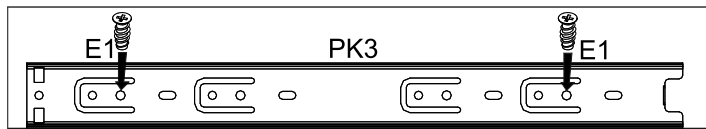
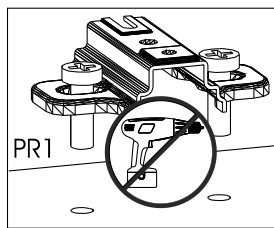
1



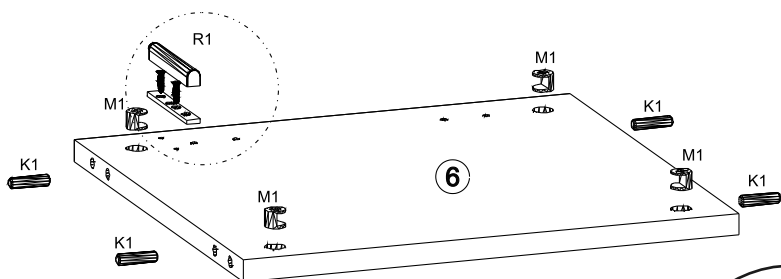
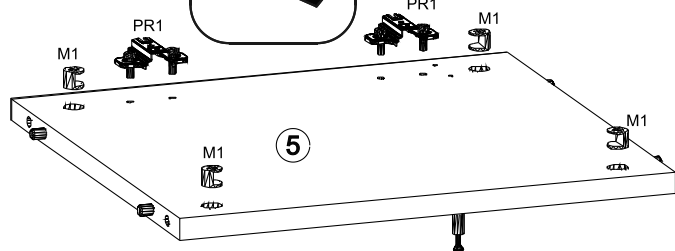
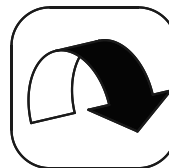
4



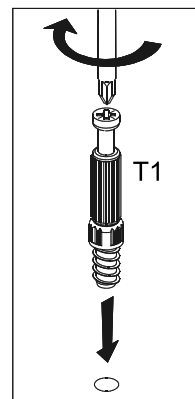
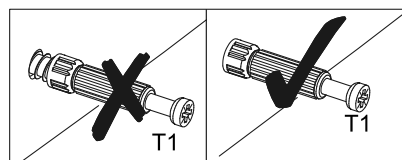
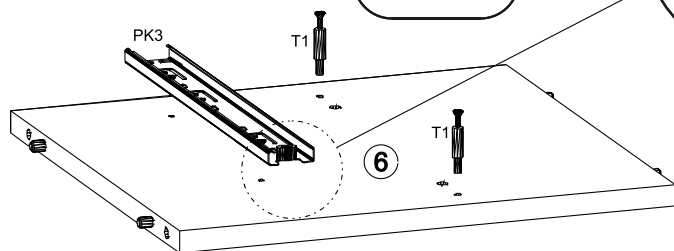
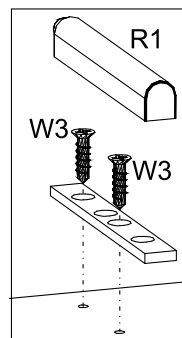
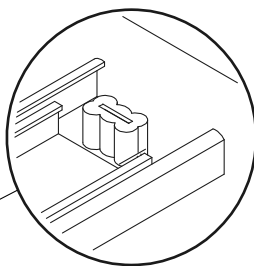
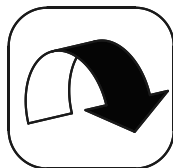
2



180°



180°



# 3 ▶

# AS01

