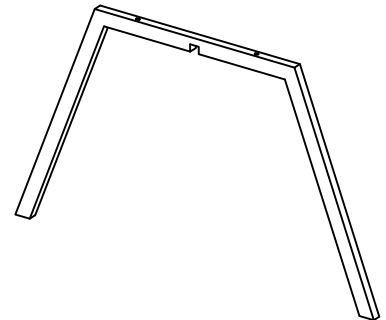
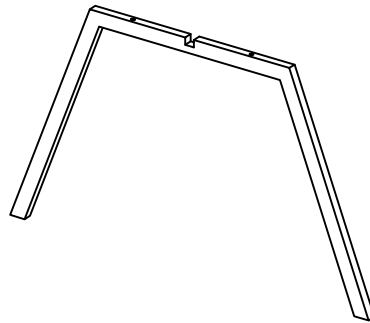
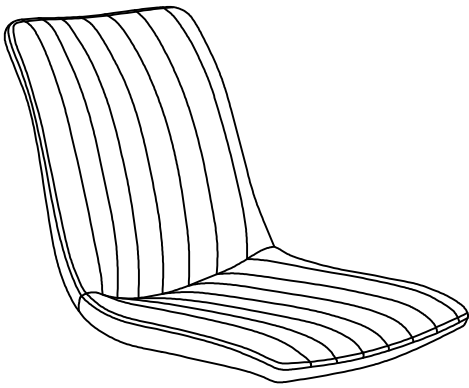


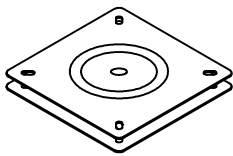
1

2

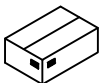
3




4

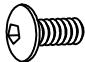


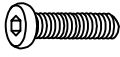
1	1 x
2	1 x
3	1 x
4	1 x




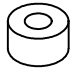
1/1


A	M6X20
	
6x	

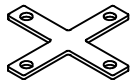
B	M6x13
	
4x	

C	M6x30
	
2x	

D	Ø18xØ6x1.5
	
8x	

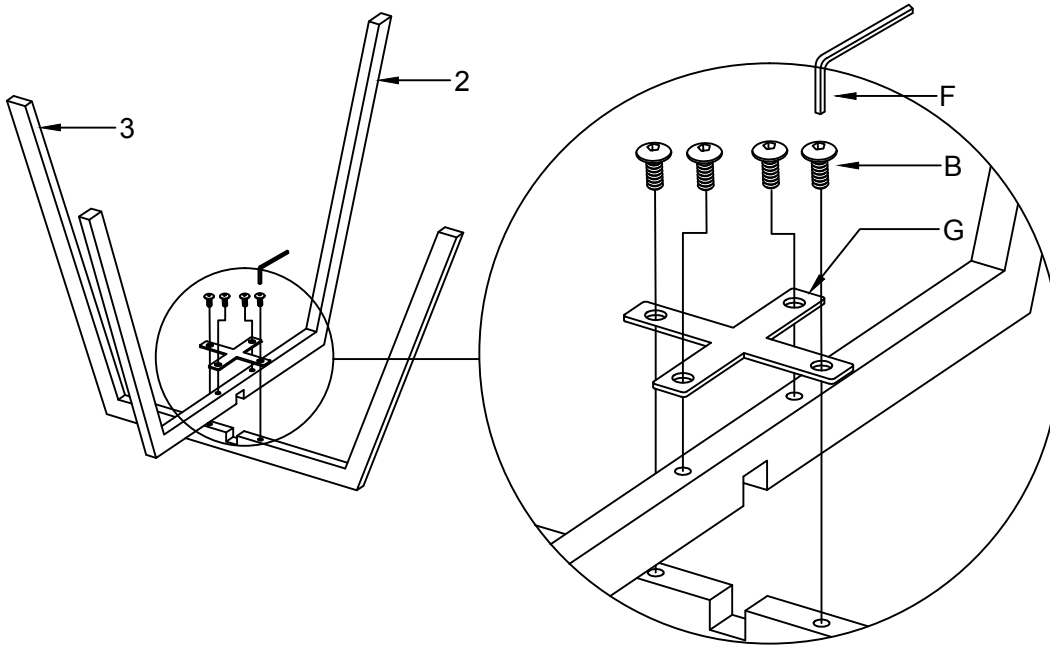
E	Ø18xØ8x10
	
2x	

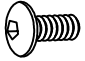
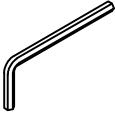
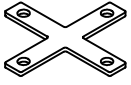

F	4MM
	
1x	

G	T2.0x90x90
	
1x	

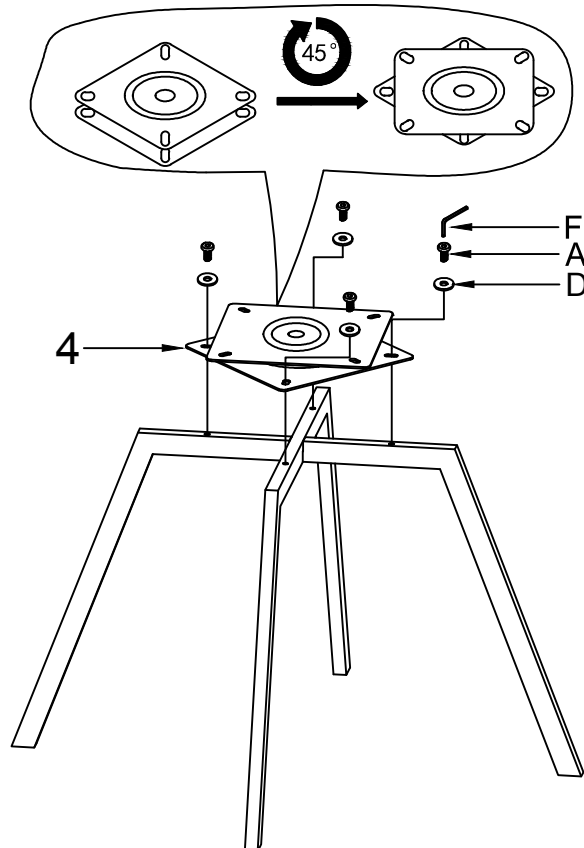
I.

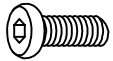

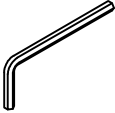

1



B	M6x13
	
	4x
F	4MM
	
	1x
G	T2.0x90x90
	
	1x
	

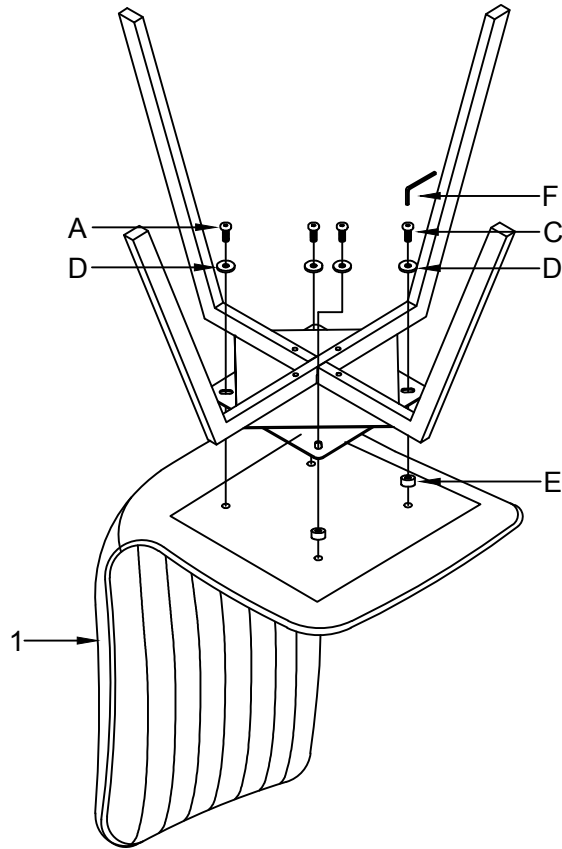
2

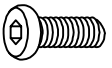



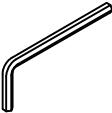



A	M6X20
	
	4x
D	Ø18xØ6x1.5
	
	4x
F	4MM
	
	1x
	

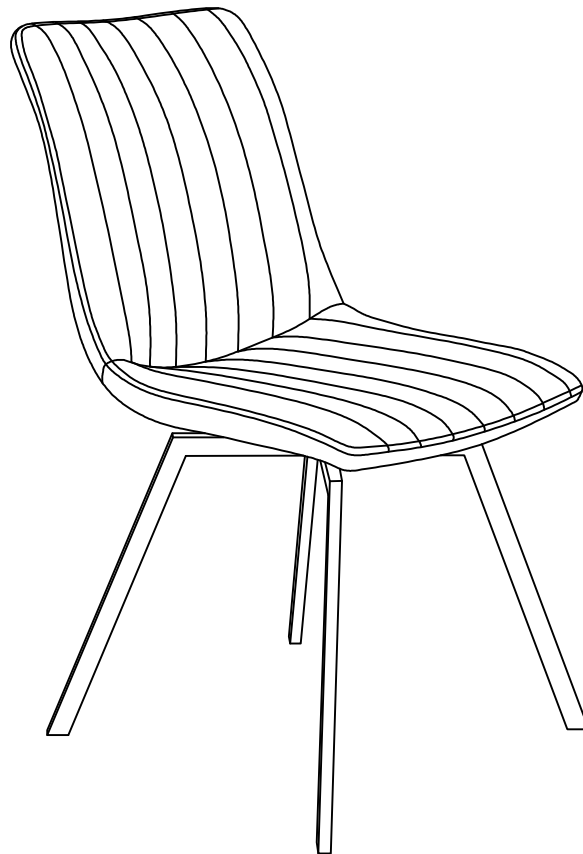
II.

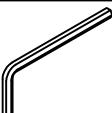
3



A	M6X20		2x
C	M6X30		2x
D	Ø18xØ6x1.5		4x
E	Ø18xØ8x10		2x
F	4MM		1x
			

4



F	4MM		1x
