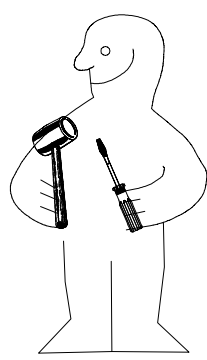
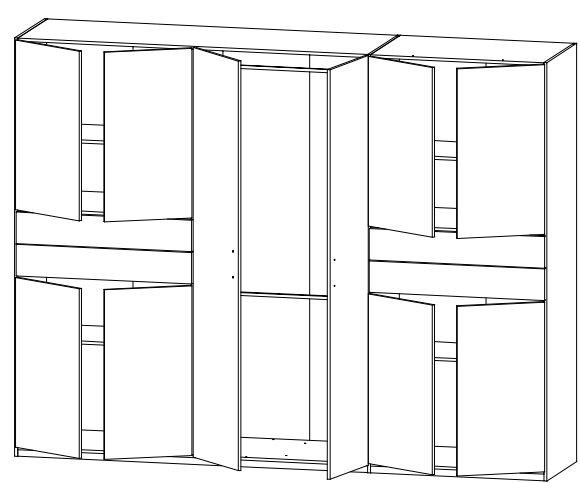


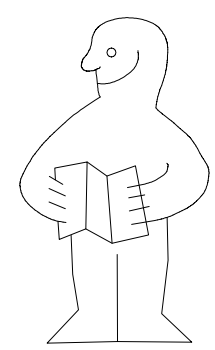
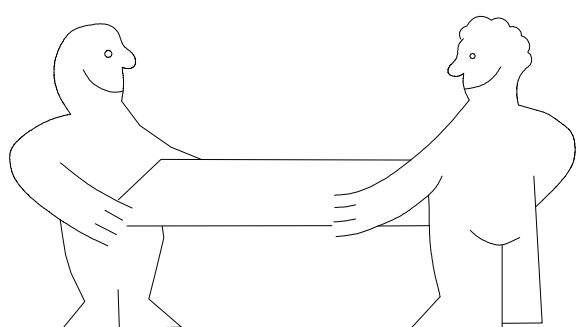
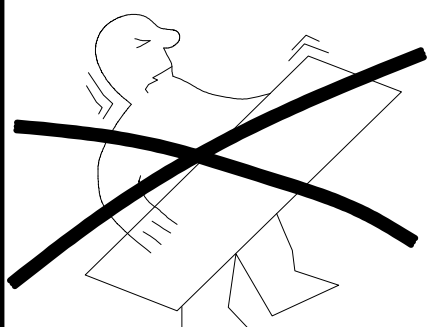
980593



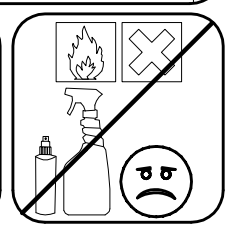
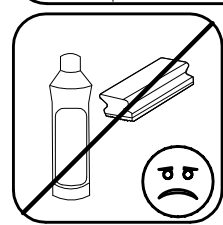
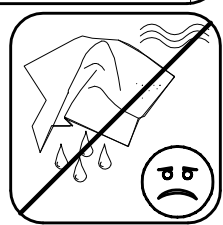
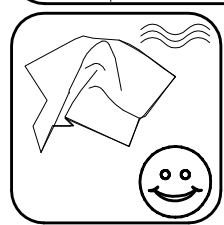
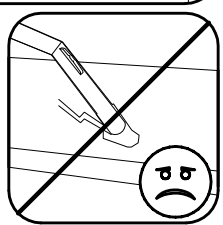
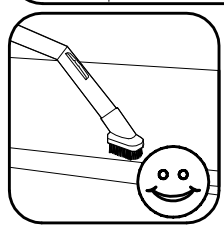
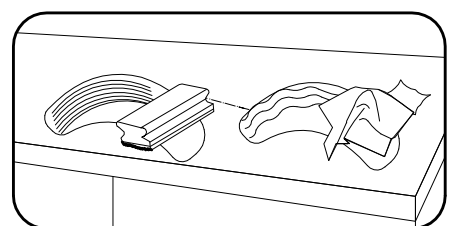
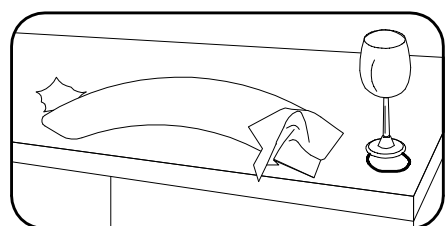
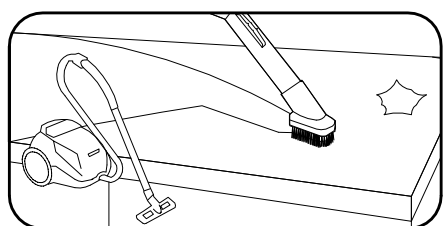
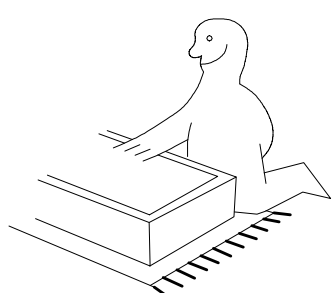
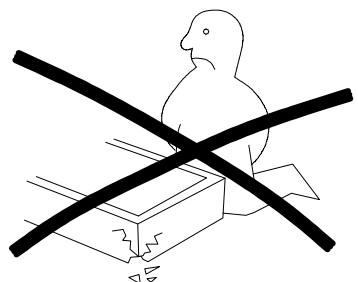
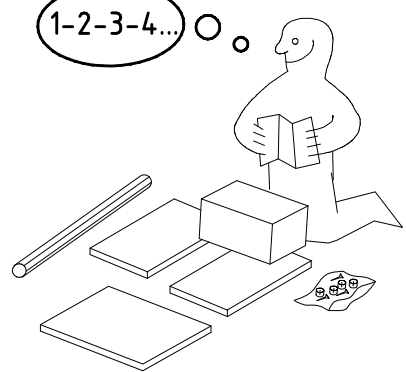
MONTÁŽNÍ/MONTÁŽNY NÁVOD



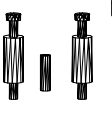
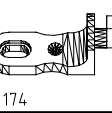




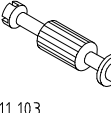
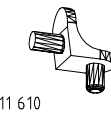

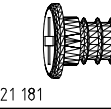
NSP 270 2K1st

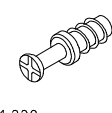

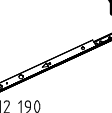
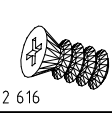
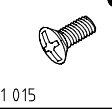


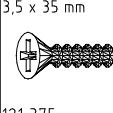
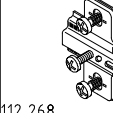
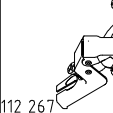
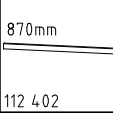
1-2-3-4... ○

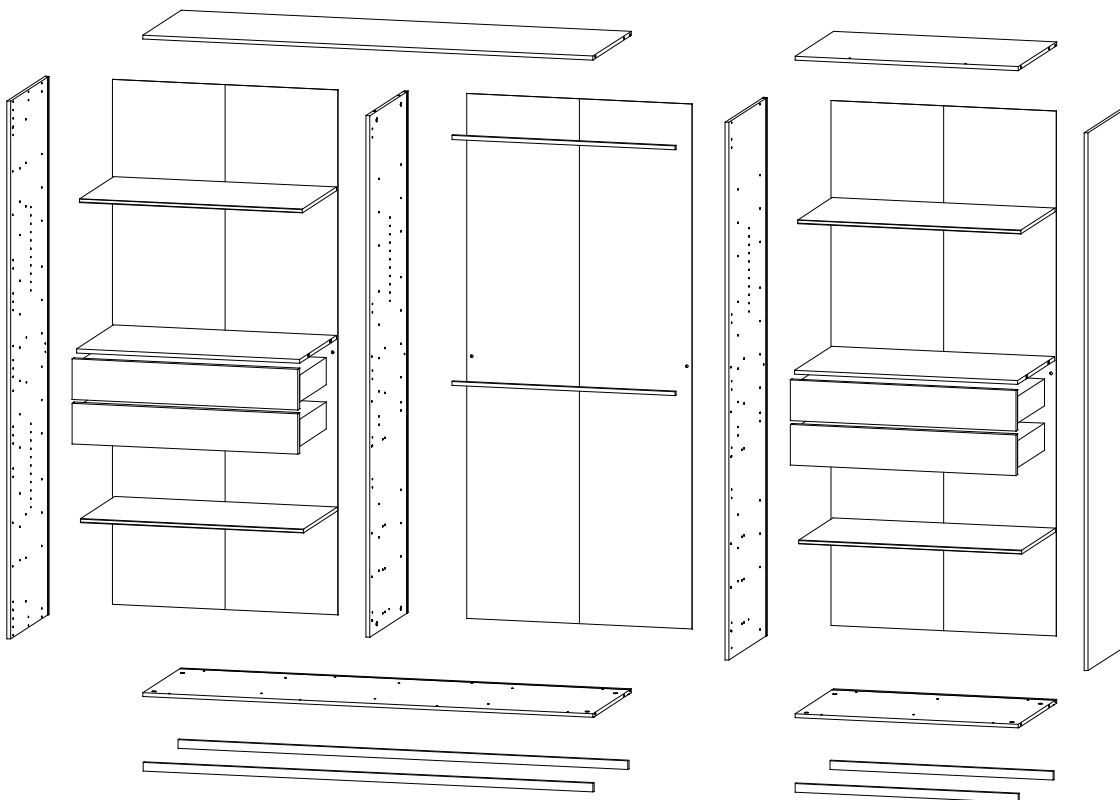
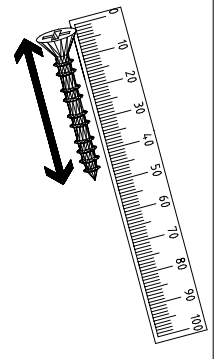
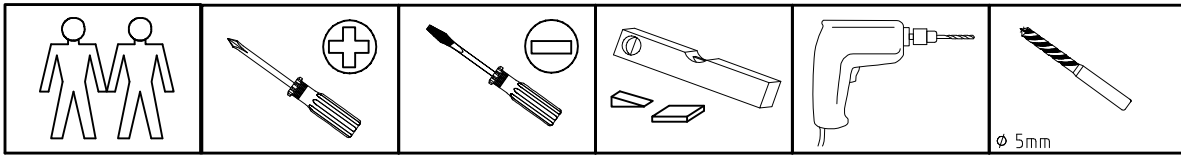
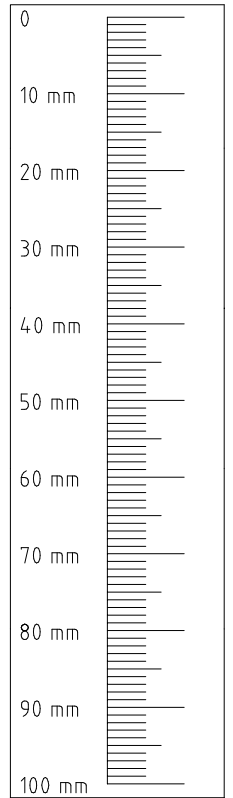


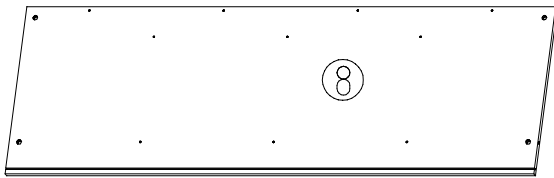
 111 252	VB23	8x
 111 102	A	20x
 111 174	F3	4x
 111 174	J1	6x
 117 006	K4	4x

 163 007	Z	3x
 111 103	C	12x
 111 610	L7	16x
 M6 x 11 mm	SBV	8x
 121 181	T6	6x

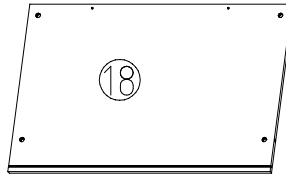
 111 229	F	8x
 3,5 x 15 mm	G1	14x
 112 190	Y20	8x
 M6 x 10	T3	16x
 M4 x 9 mm	G8	8x

 3,5 x 35 mm	G14	12x
 112 375	M	22x
 112 268	N	22x
 870mm	K20	2x

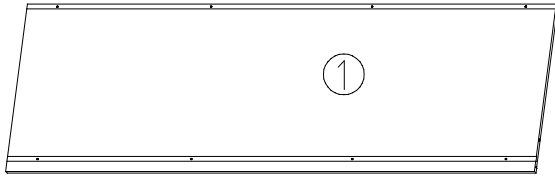




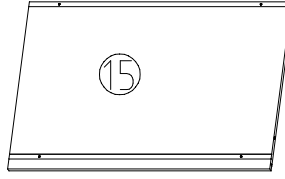
1793 x 560 x 15



873 x 560 x 15



1793 x 560 x 15



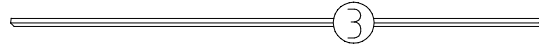
873 x 560 x 15



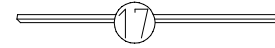
1793 x 33 x 15



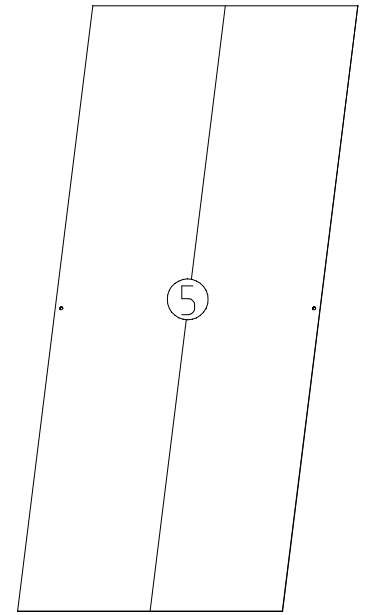
873 x 33 x 15



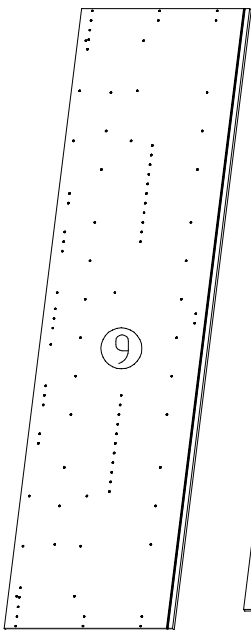
1793 x 33 x 15



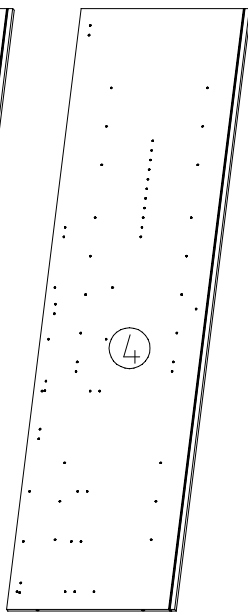
873 x 33 x 15



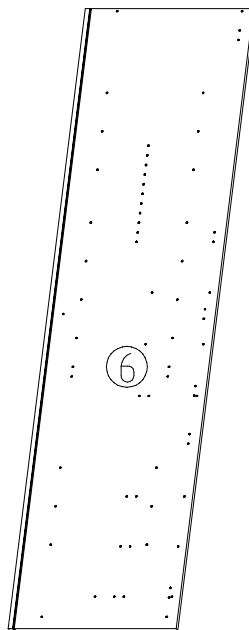
3 x 2015 x 882 x 2,5



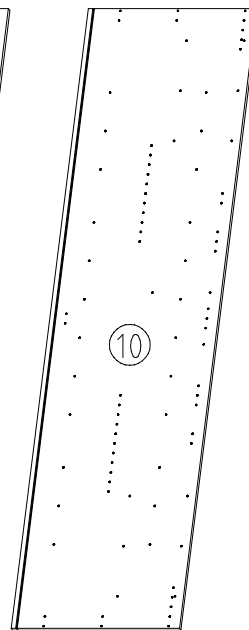
2064 x 560 x 15



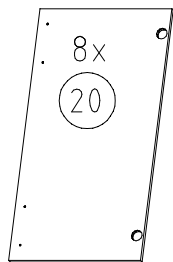
2001 x 560 x 15 BB



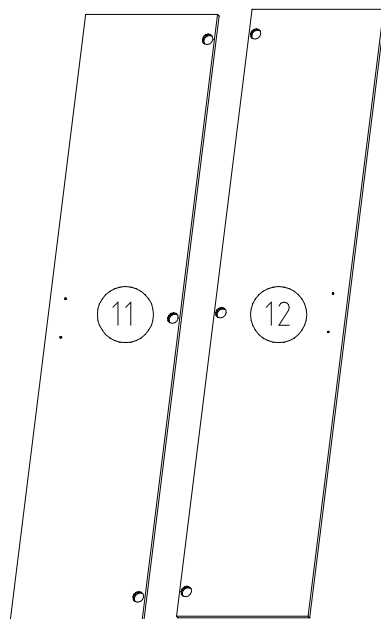
2064 x 560 x 15 BB



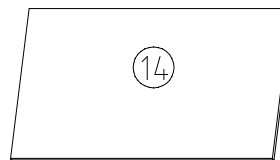
2064 x 560 x 15



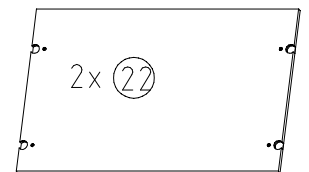
837 x 439 x 15



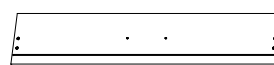
2021 x 439 x 15



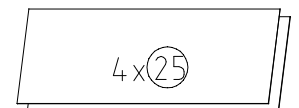
4 x 873 x 500 x 15



873 x 540 x 18



4 x 883 x 168 x 15

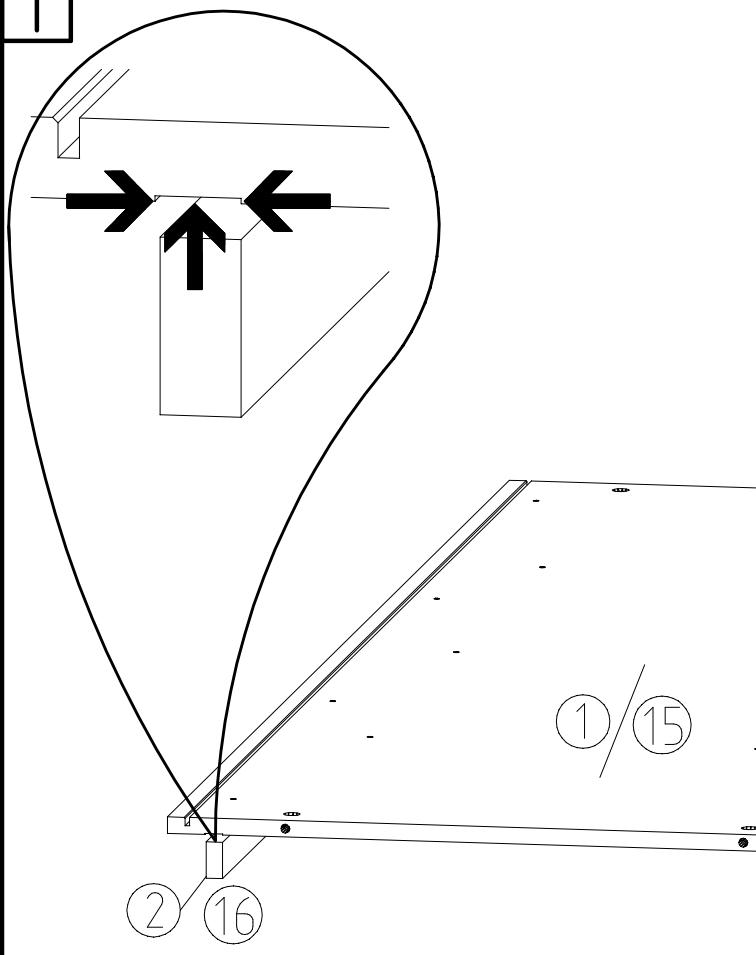


852 x 439 x 2,5

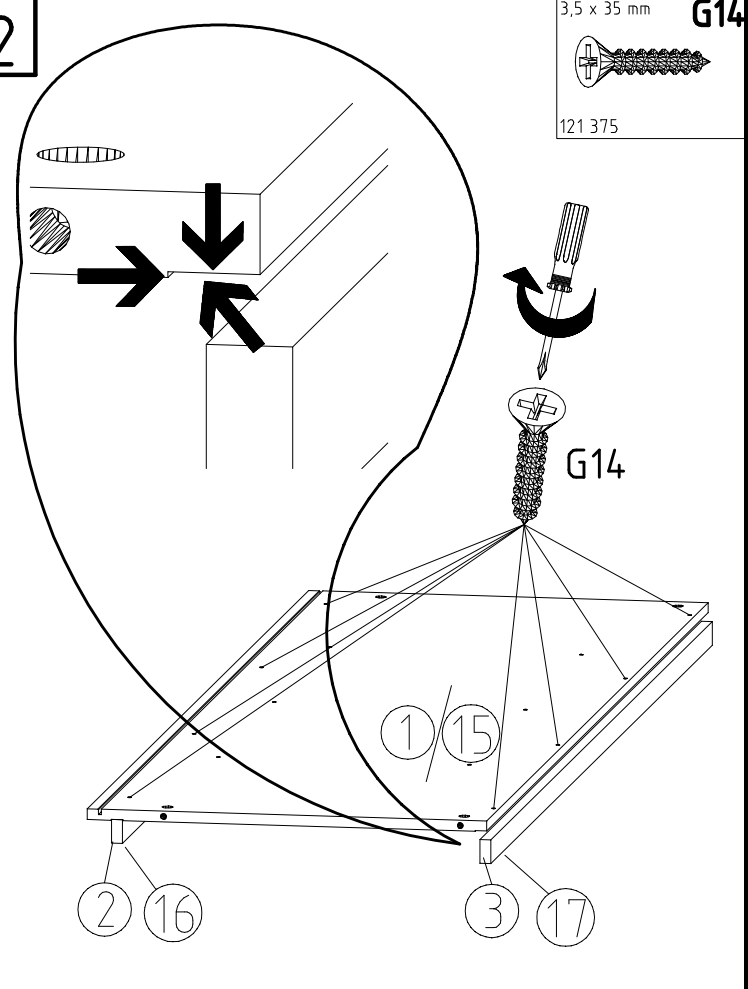


4 x 439 / 866 / 439 x 92 x 12

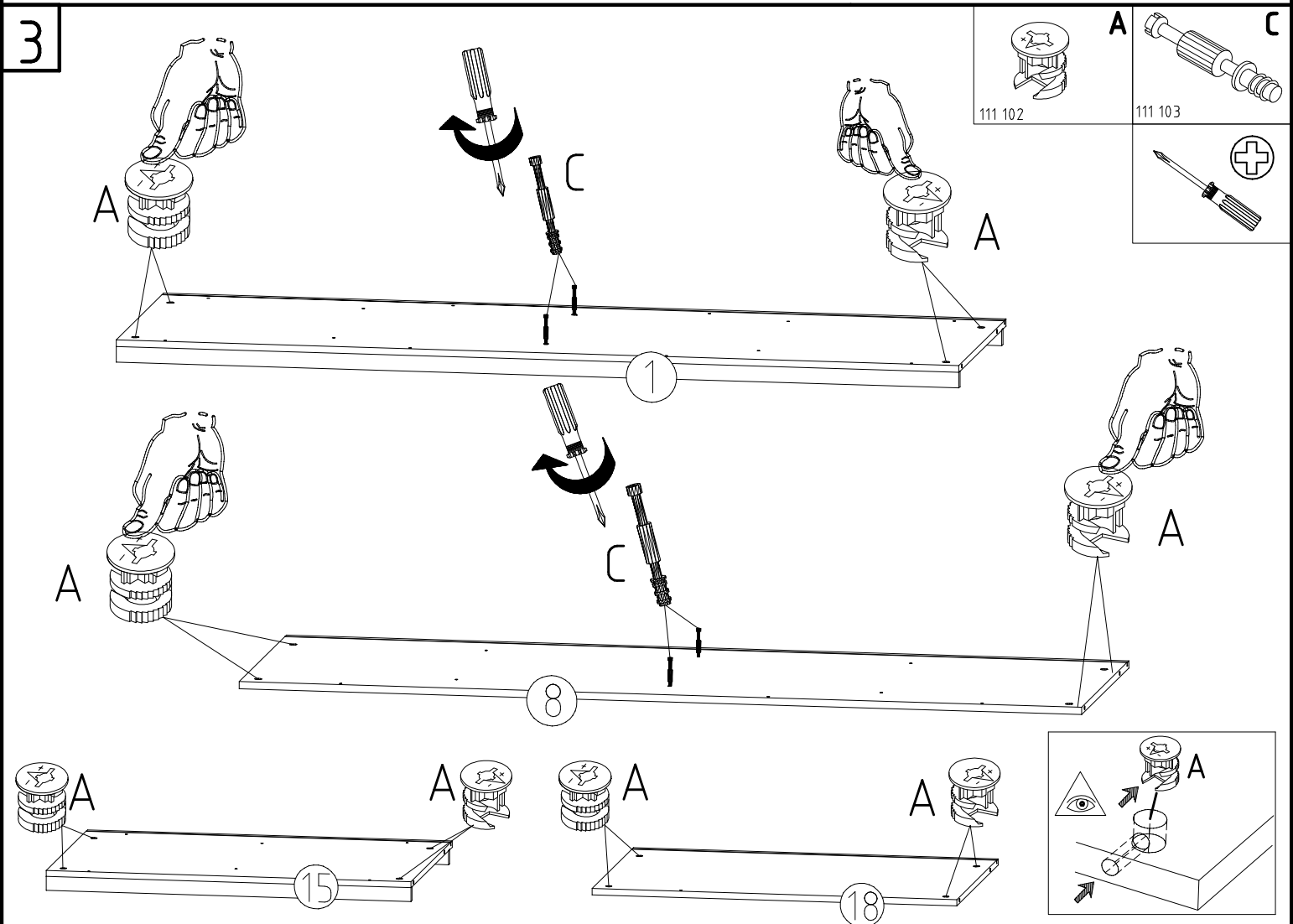
1



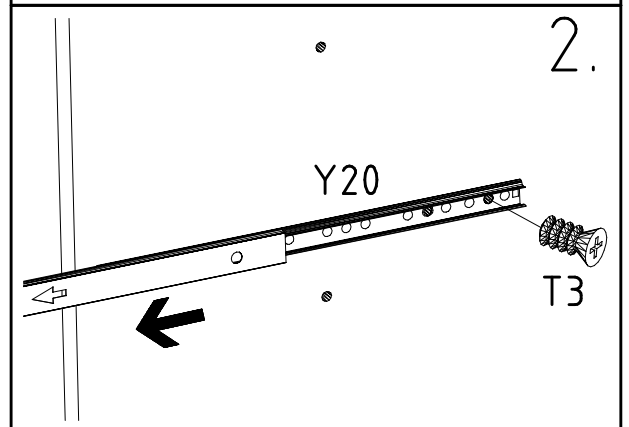
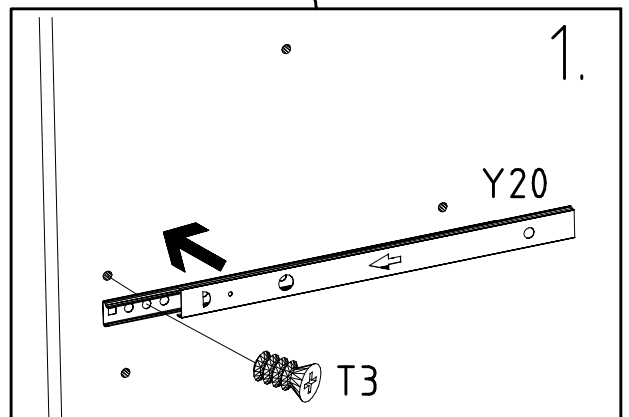
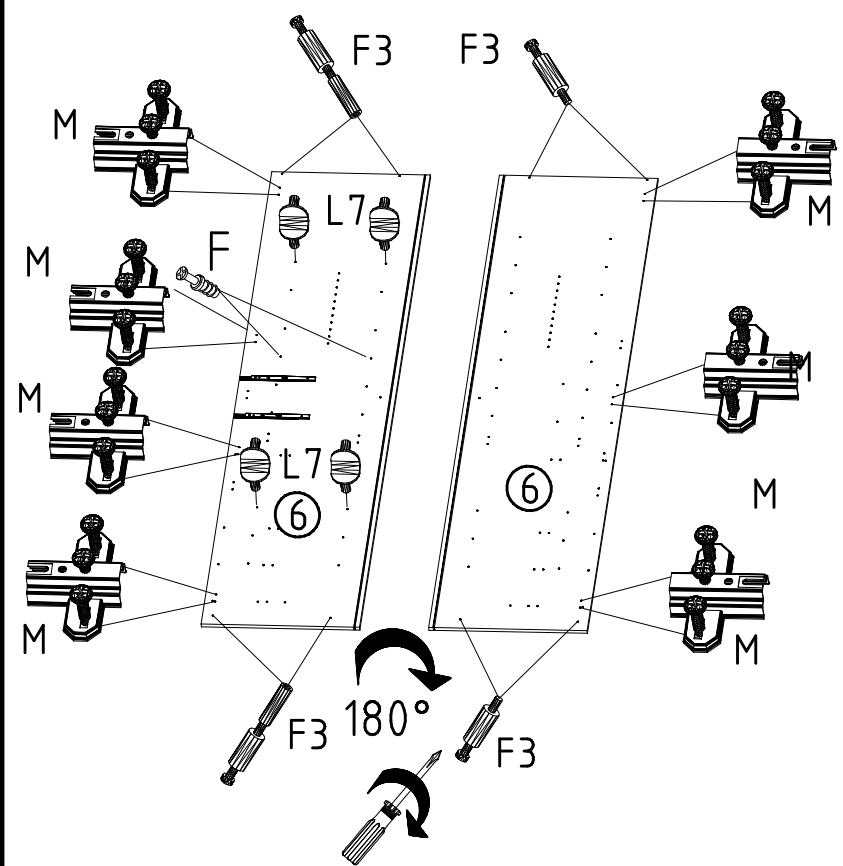
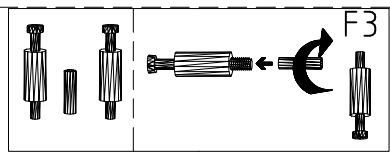
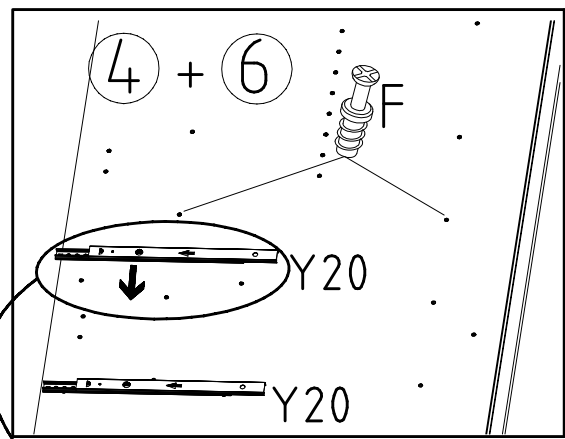
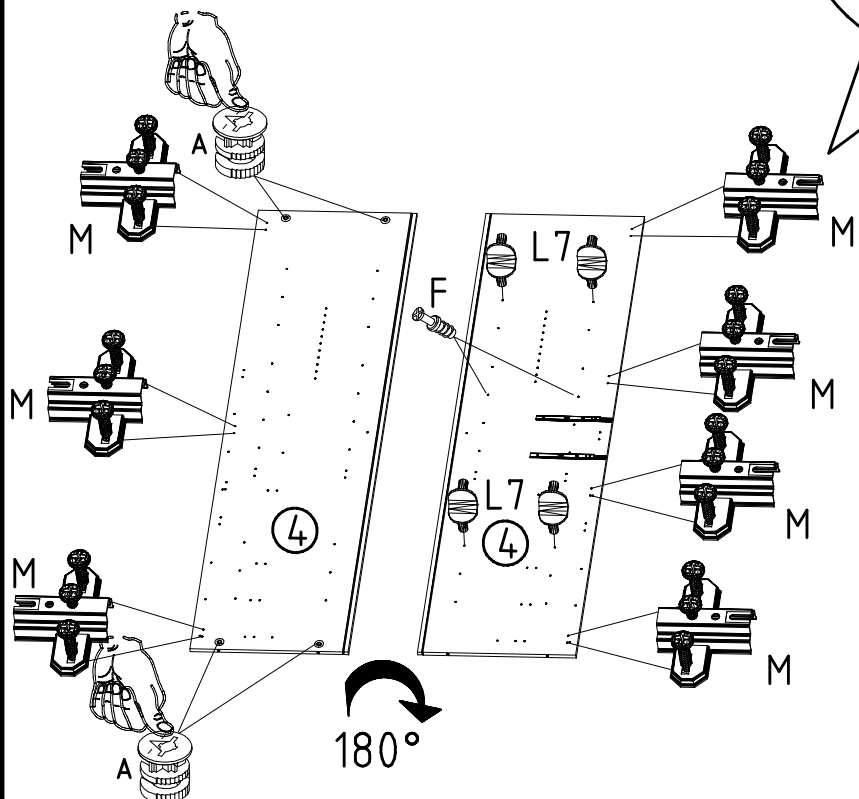
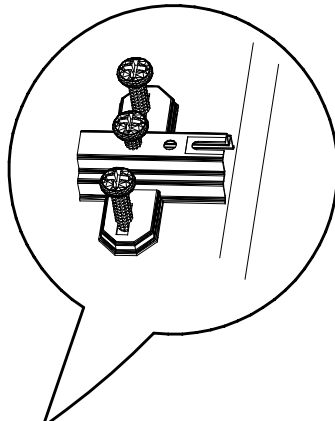
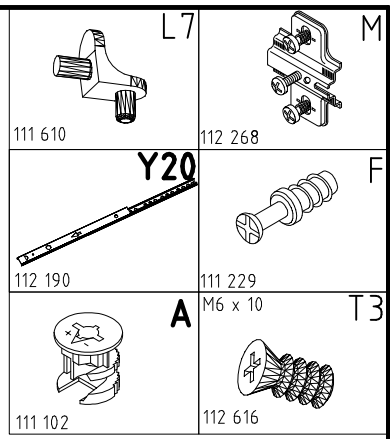
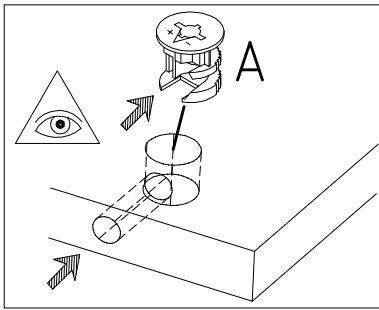
2



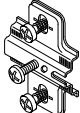
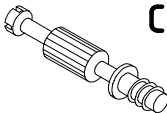
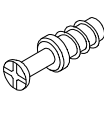


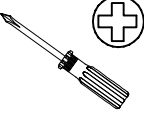

3



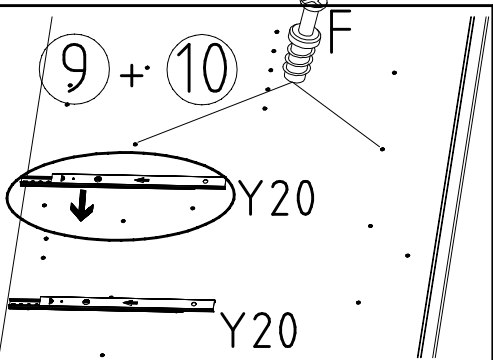
4



5

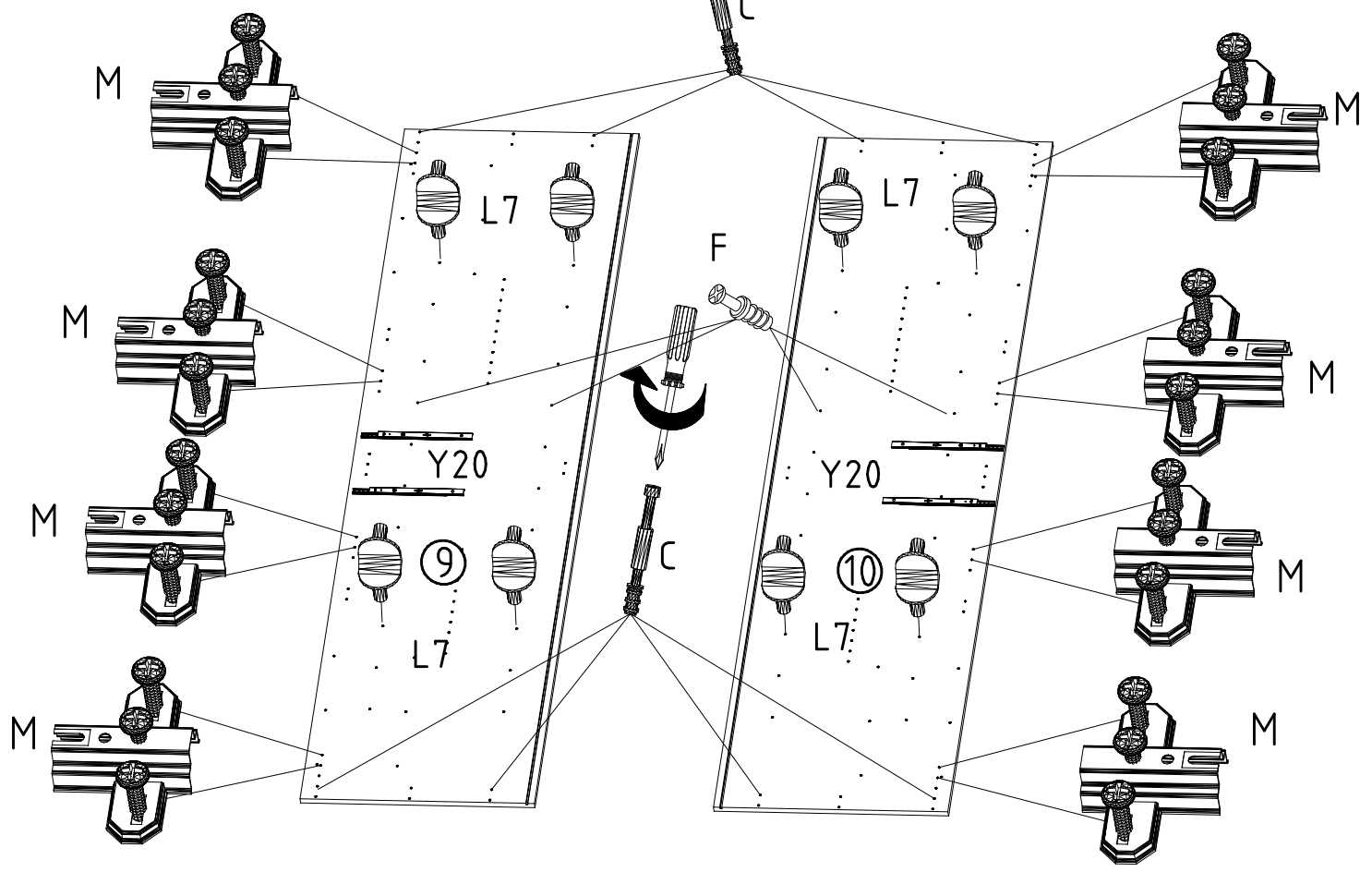
 112 268	 111 103	 111 229	 112 190	 111 610
	 M6 x 10			

9 + 10

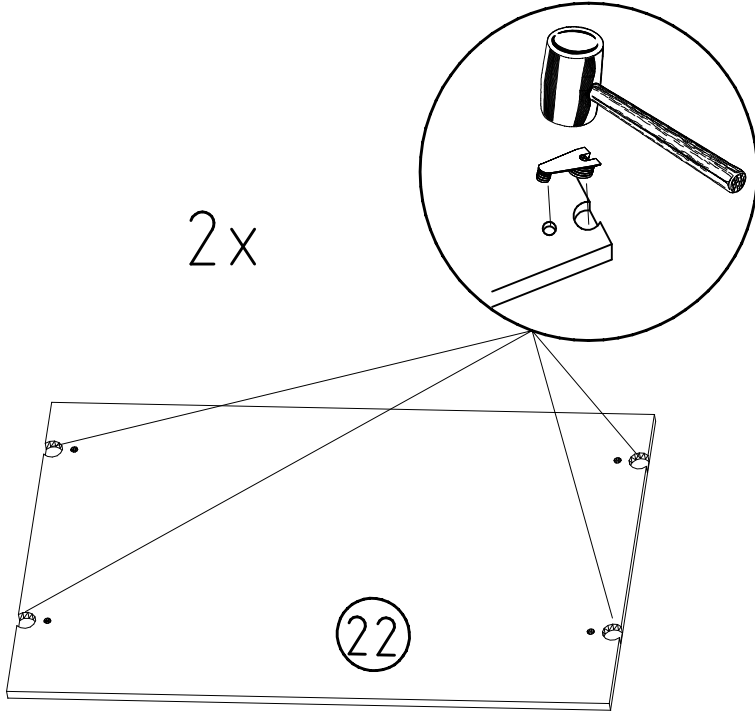


Y20

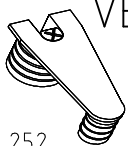
Y20



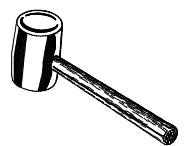
6



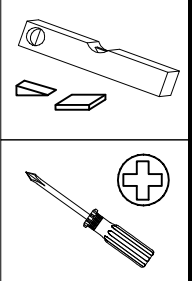
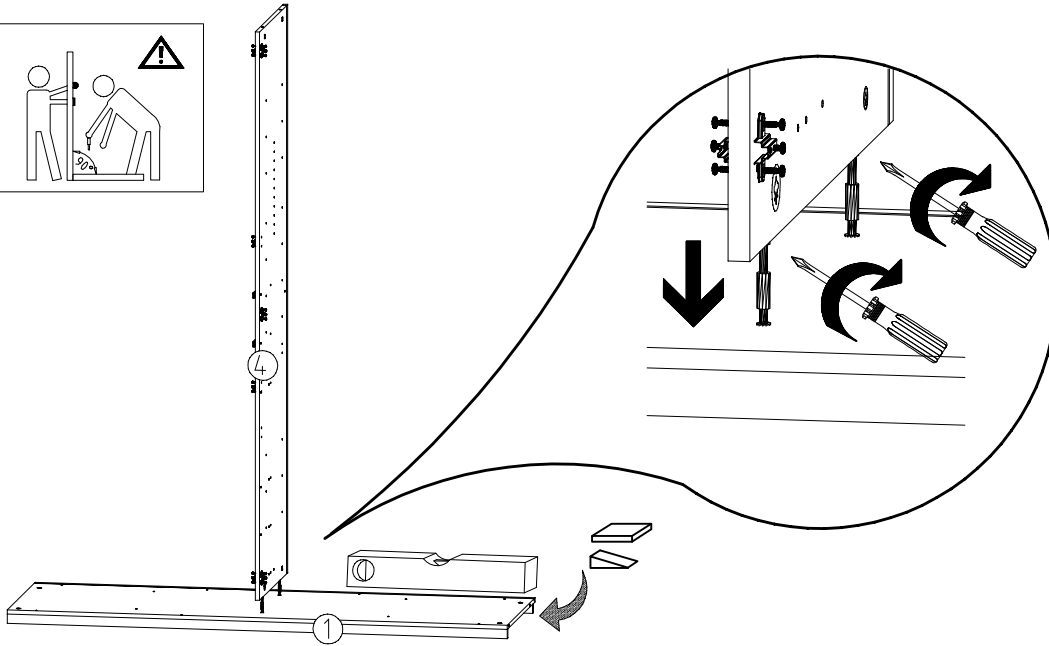
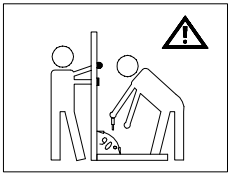
VB23



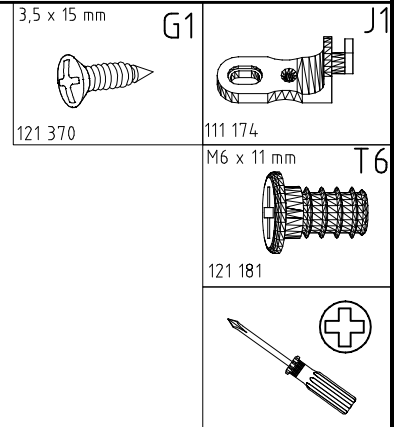
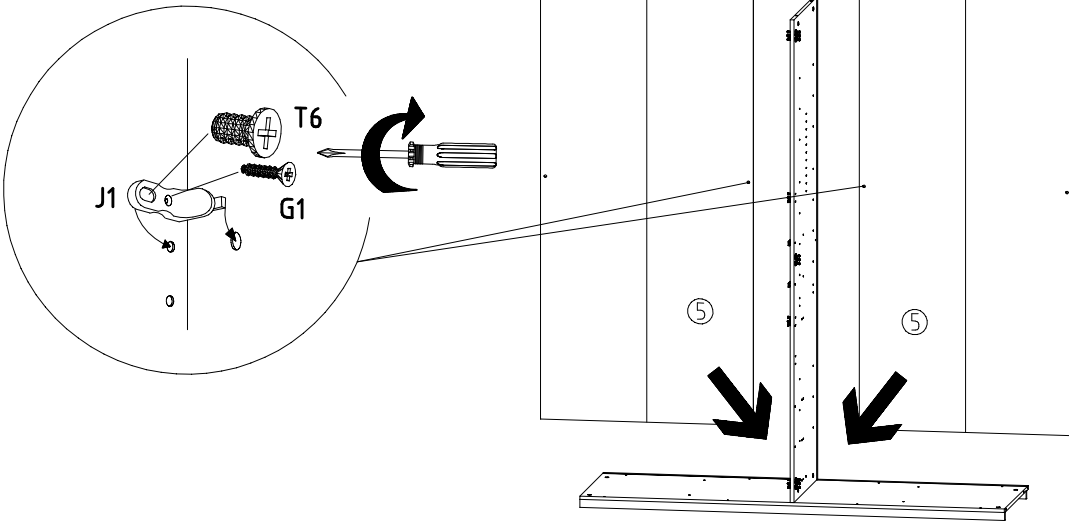
111 252



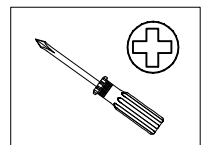
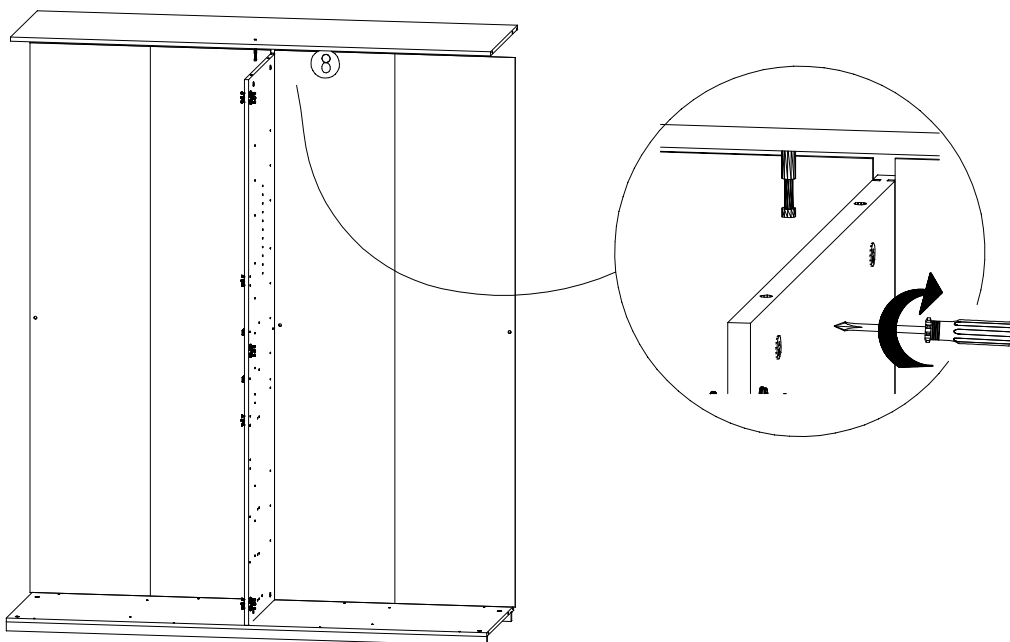
7



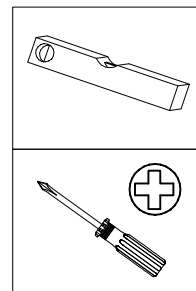
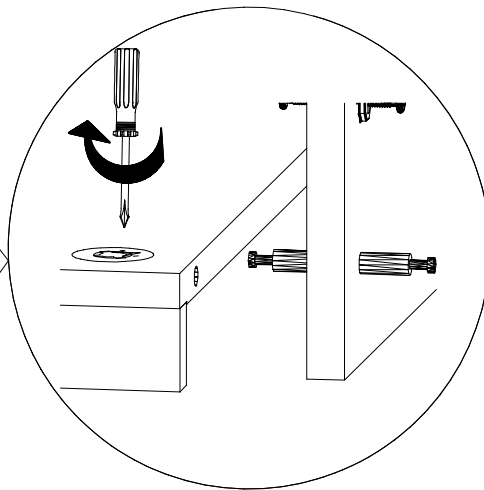
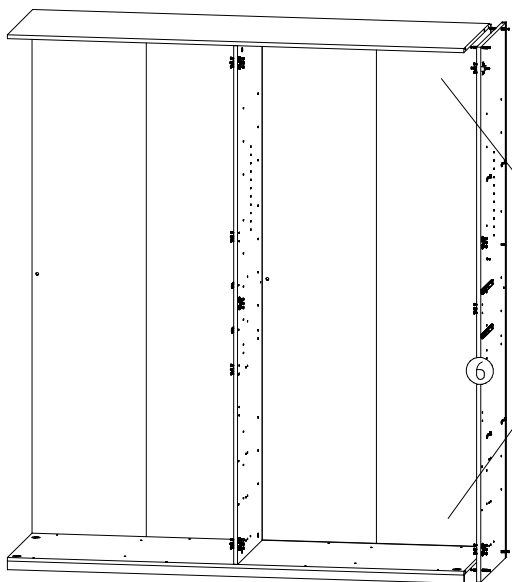
8



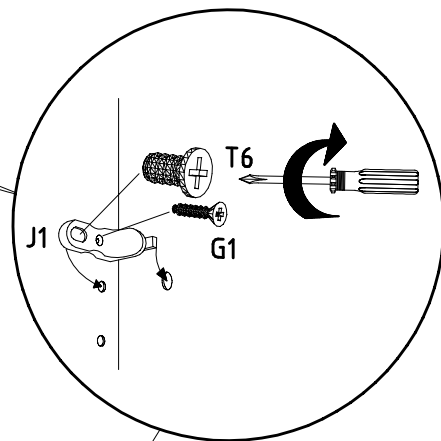
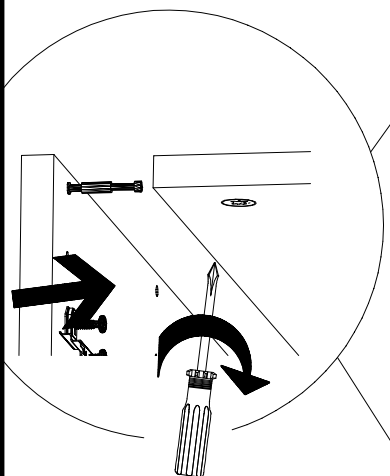
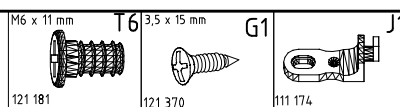
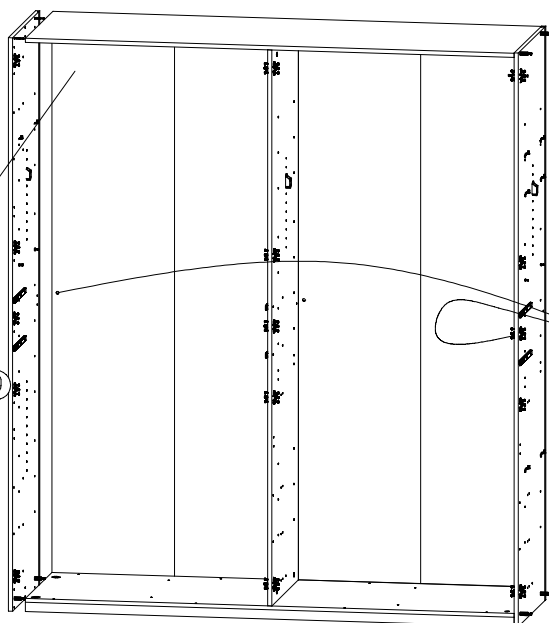
9



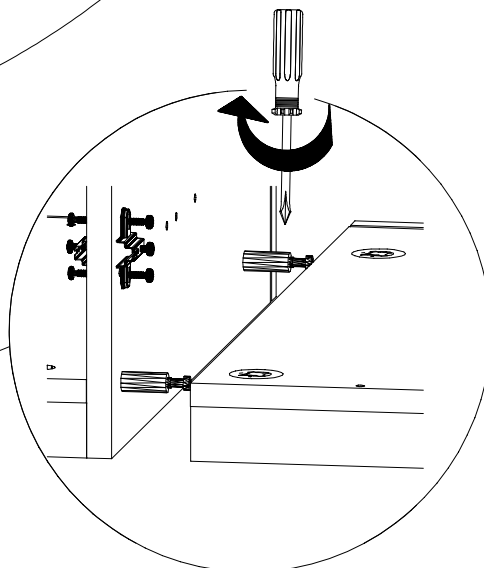
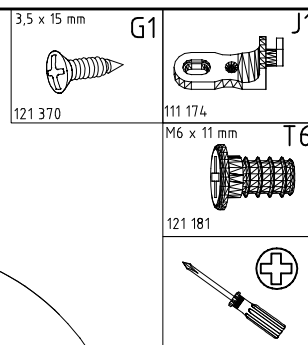
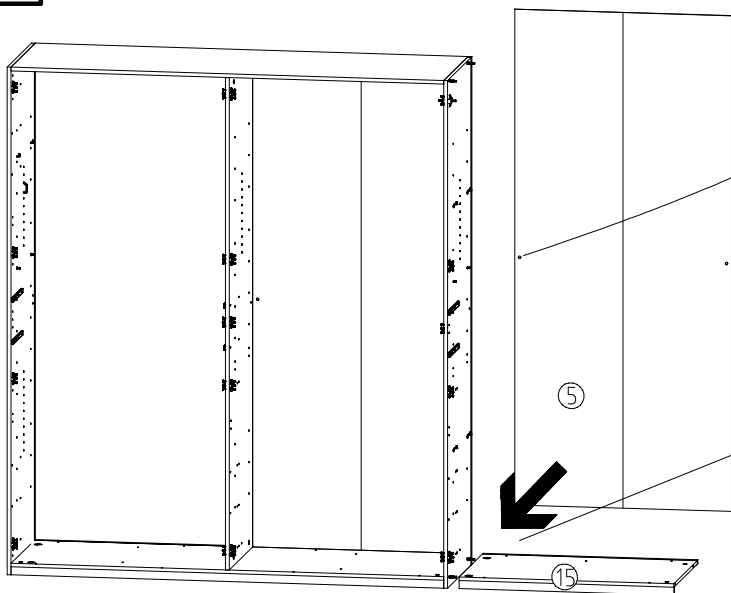
9



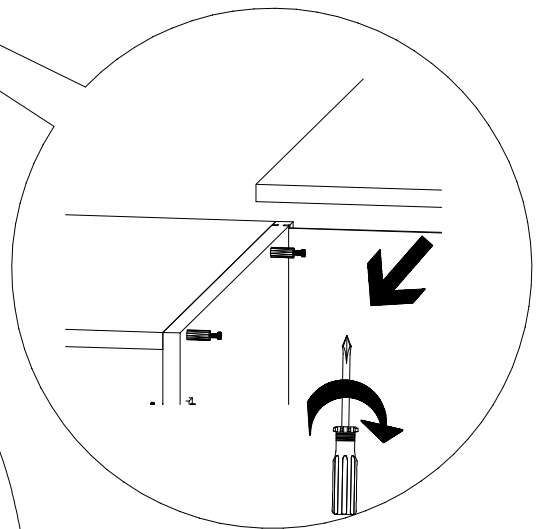
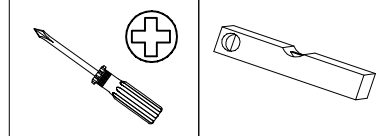
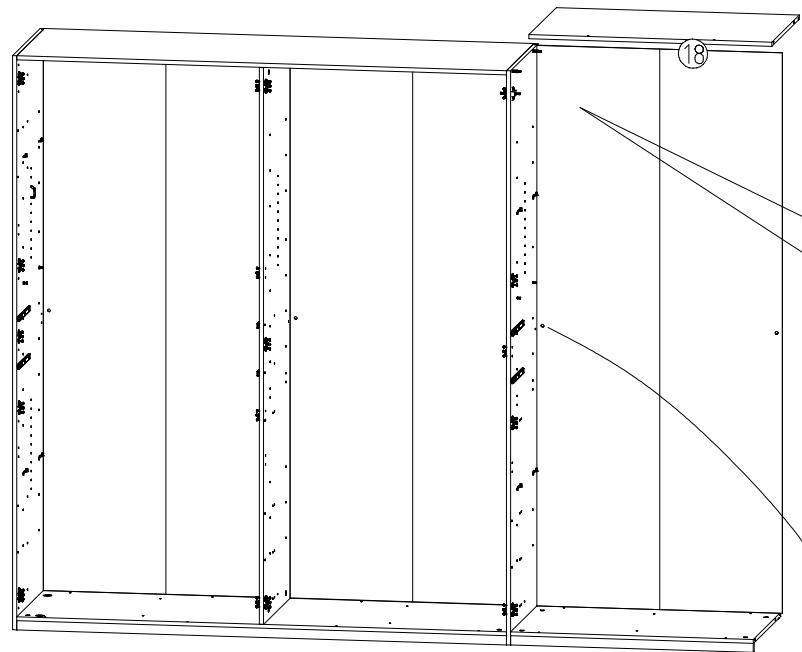
10



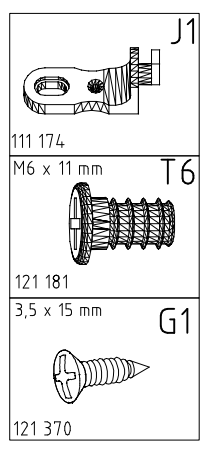
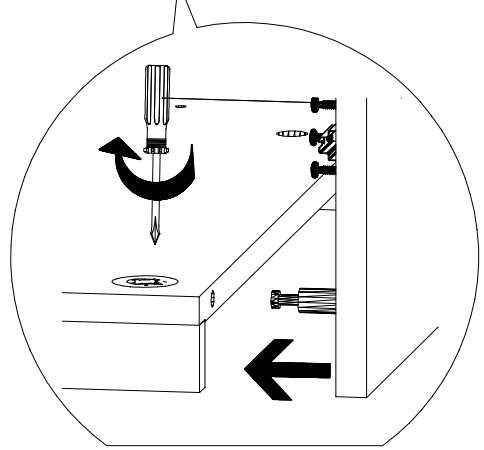
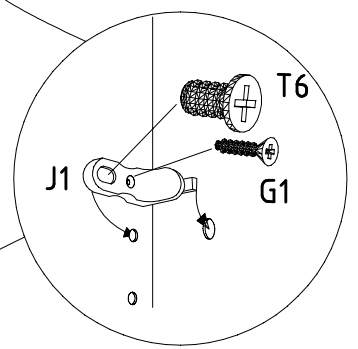
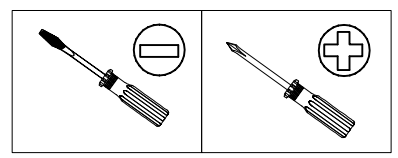
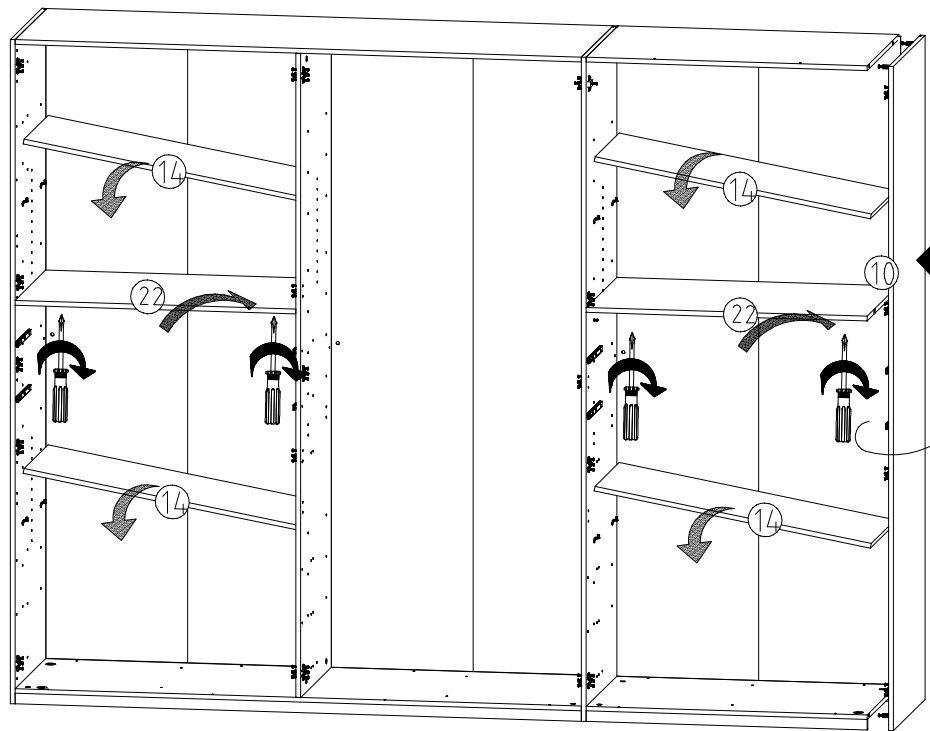
11



12



13

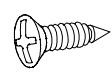


14

3,5 x 15 mm

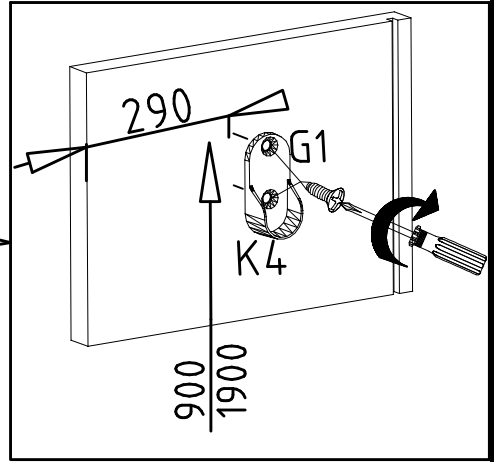
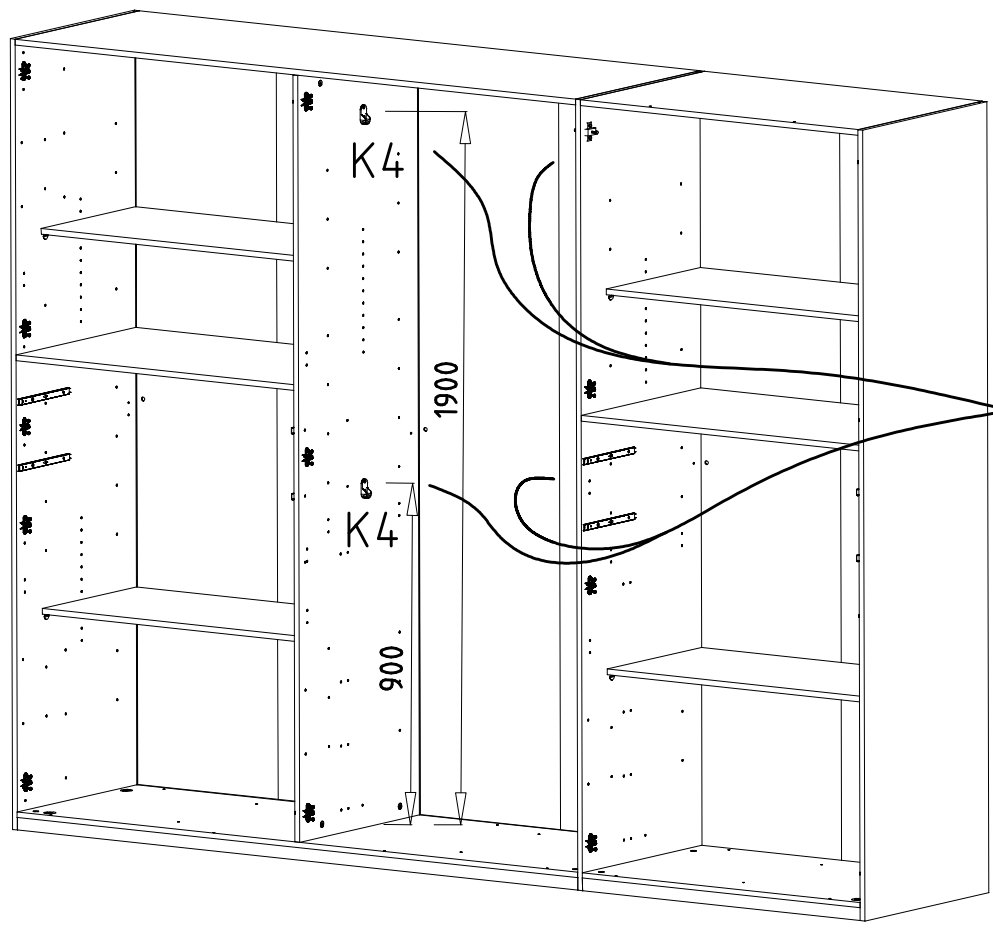
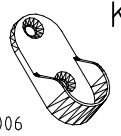
G1

K4



121 370

117 006

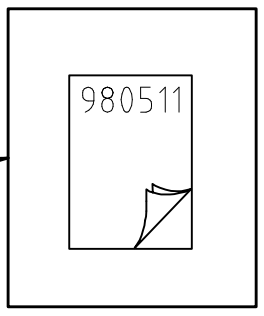
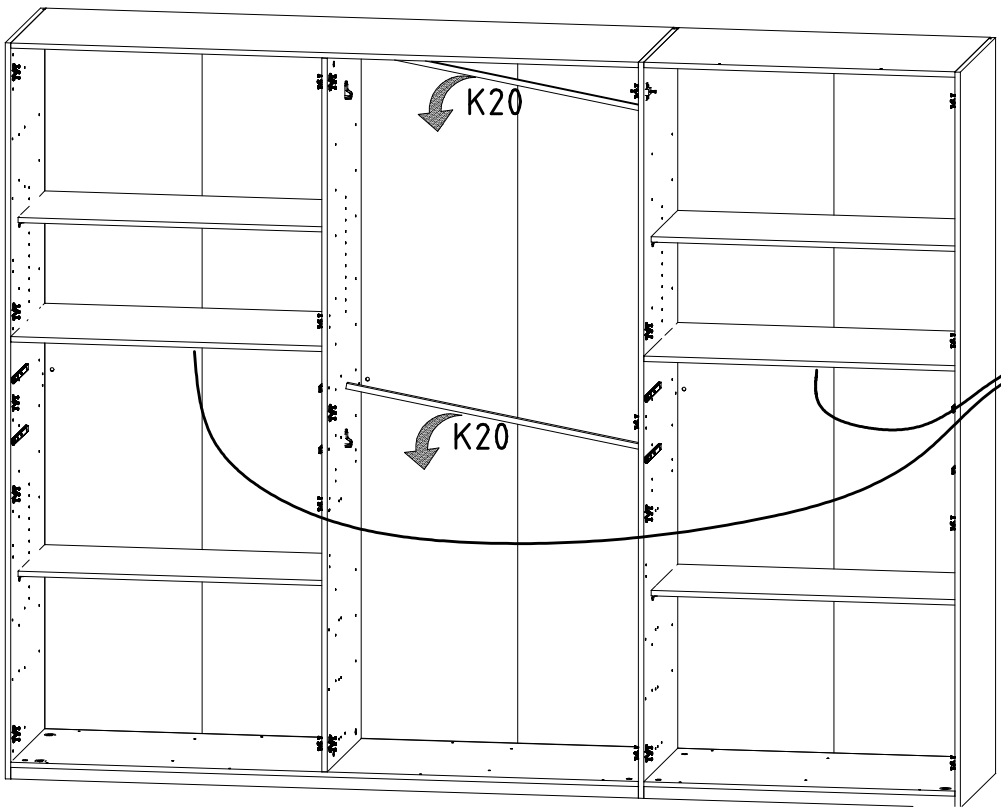


15

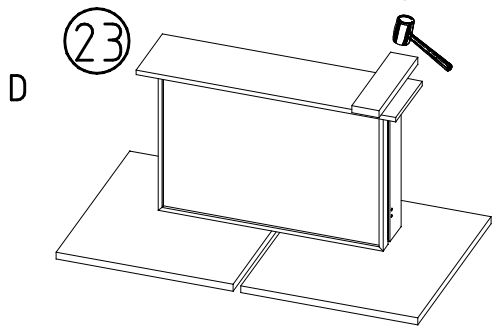
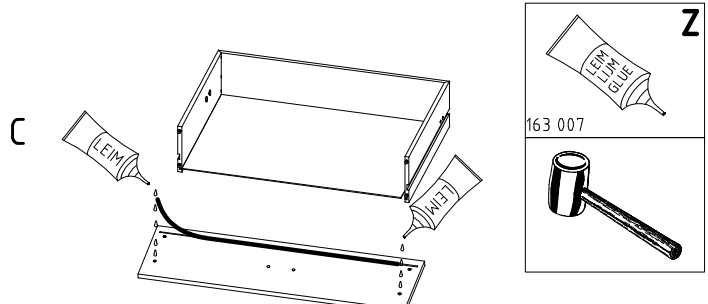
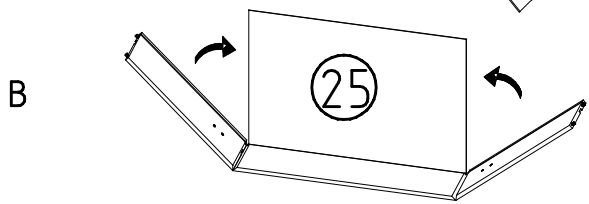
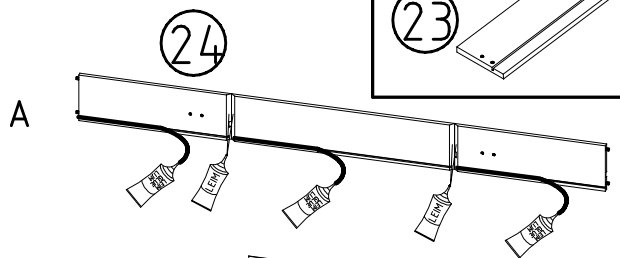
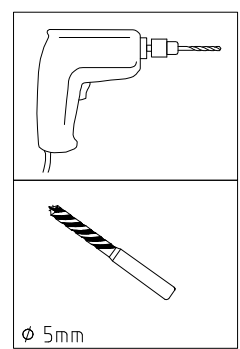
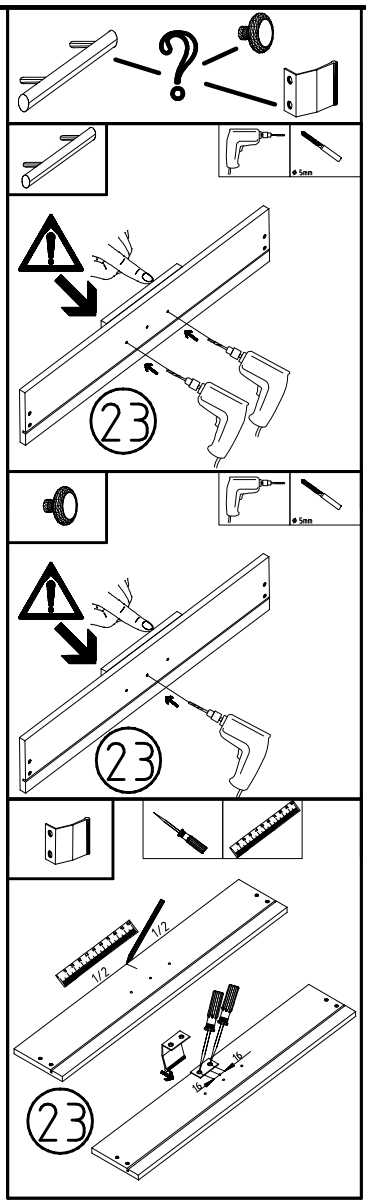
K20

870mm

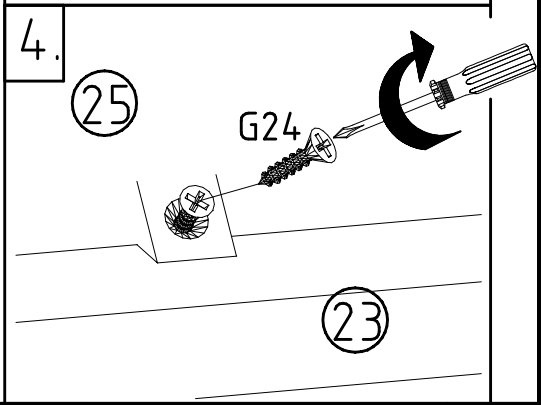
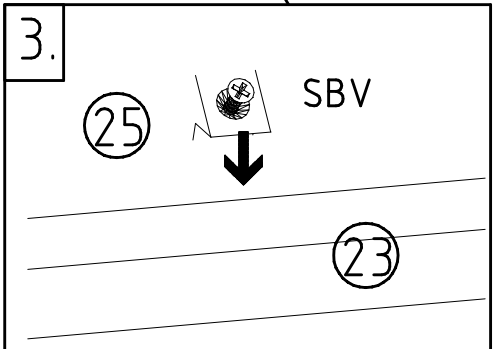
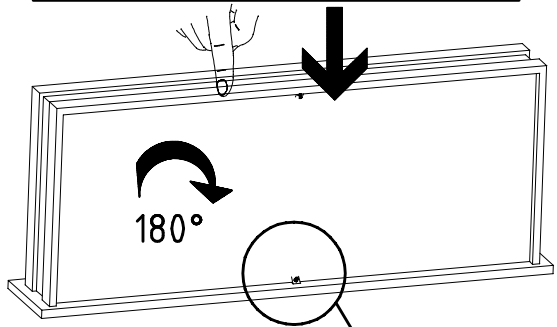
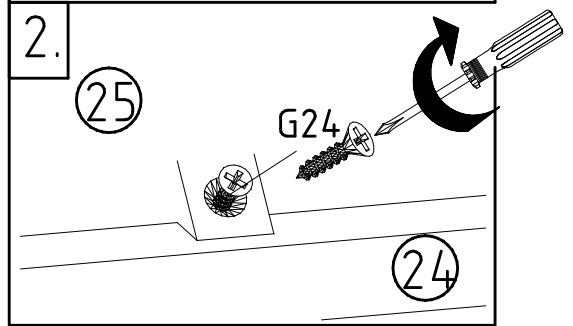
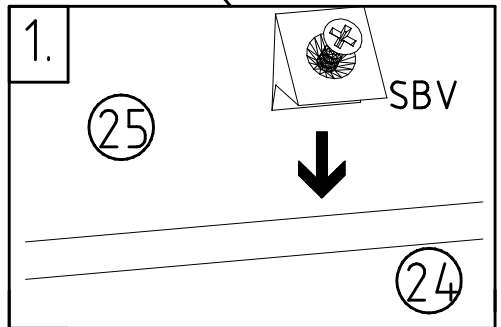
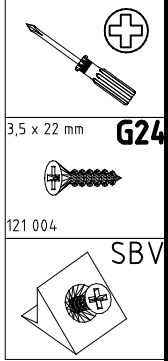
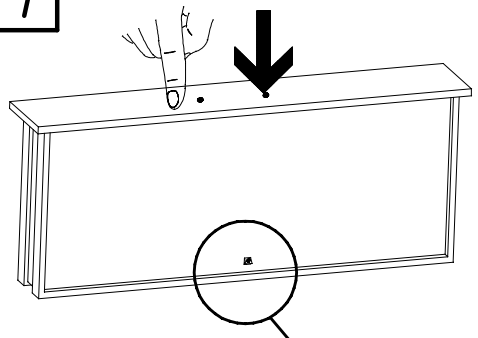
112 402

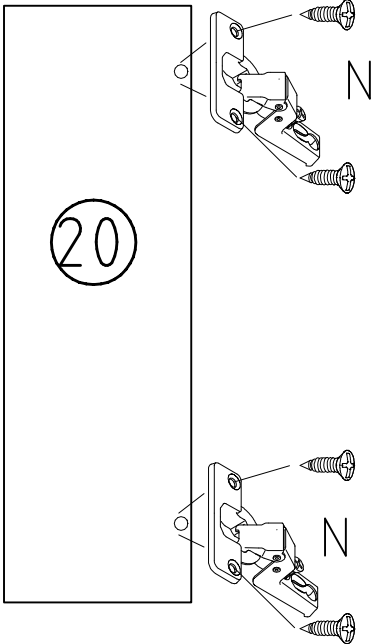
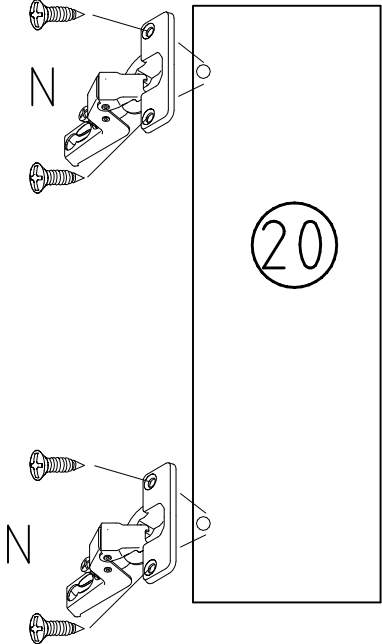
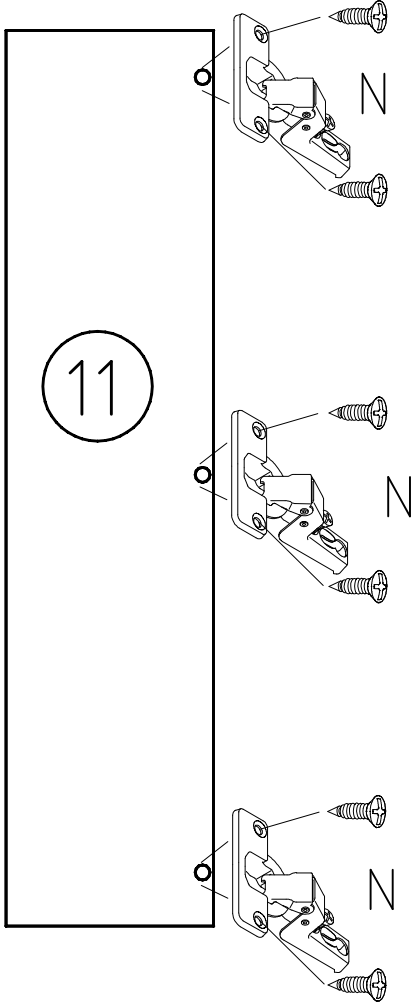
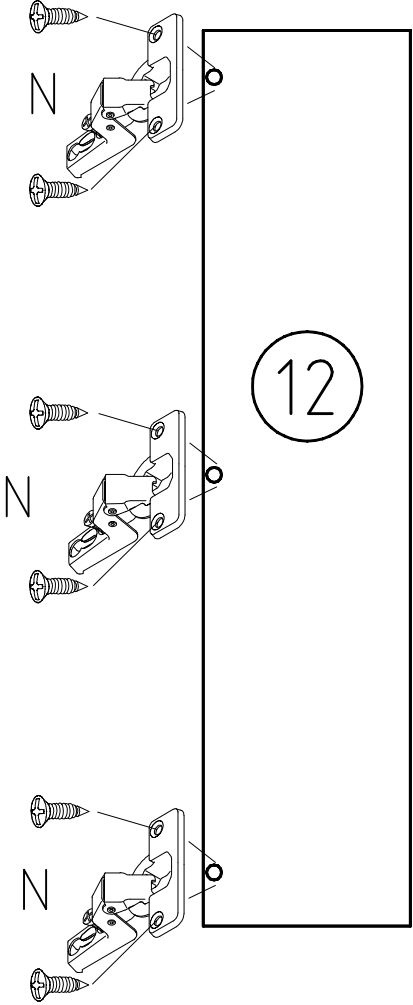
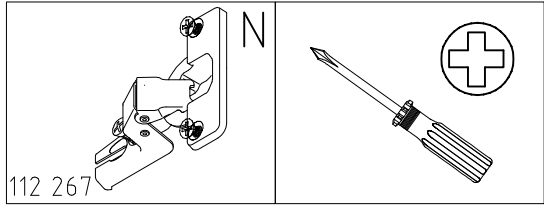
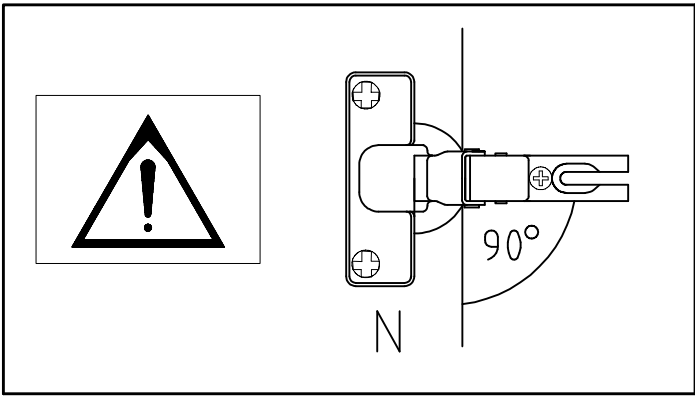


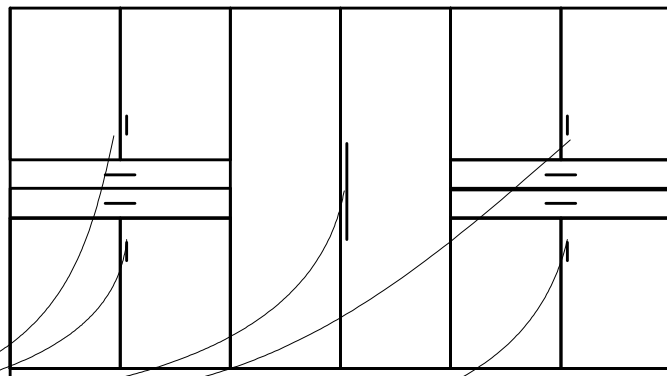
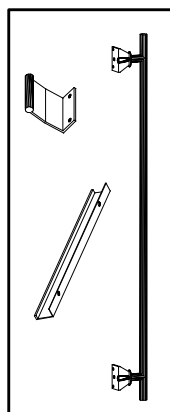
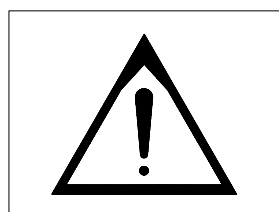
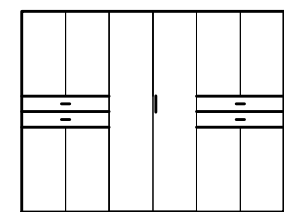
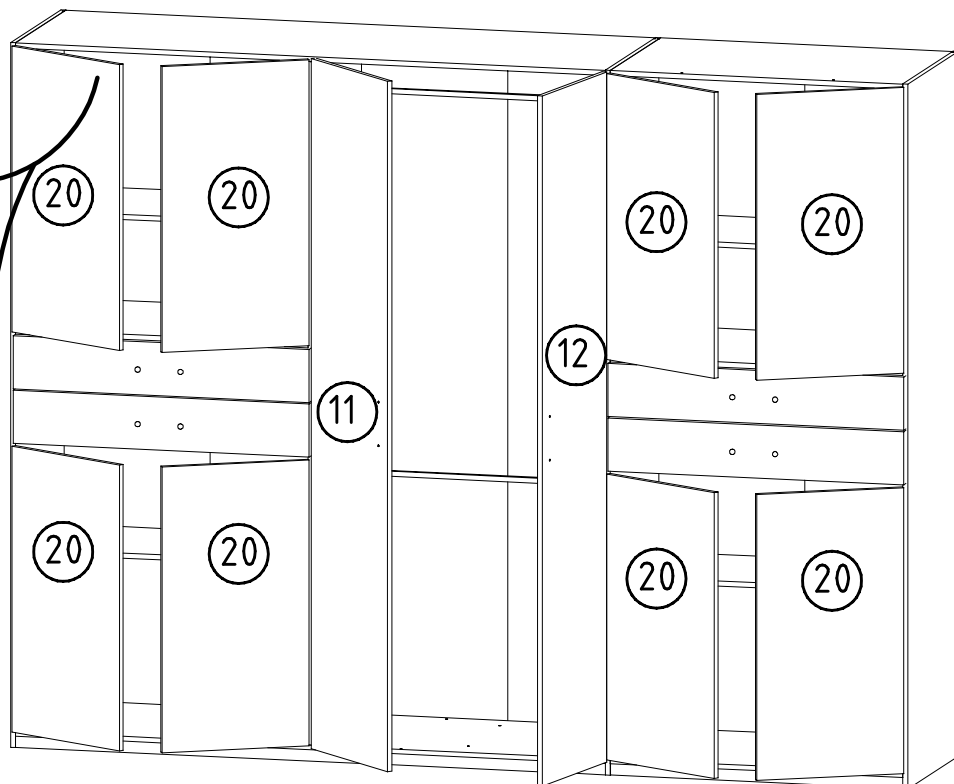
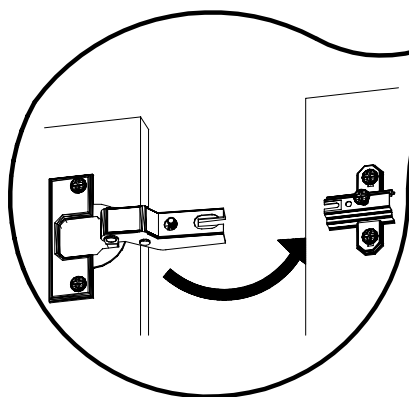
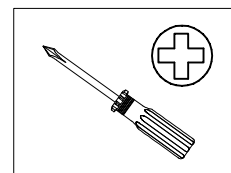
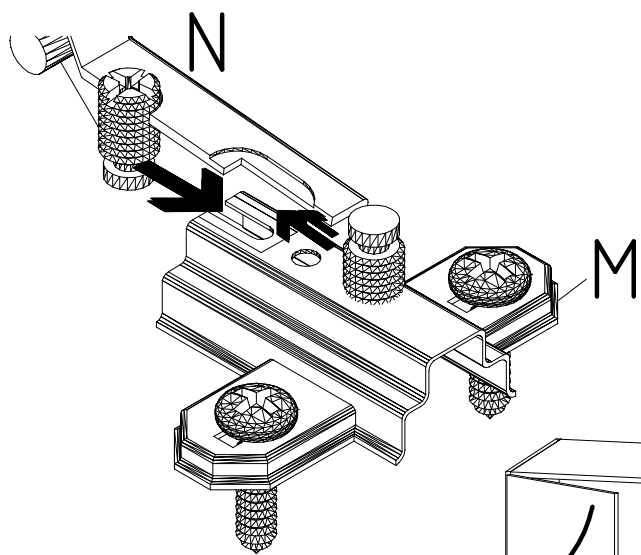
16

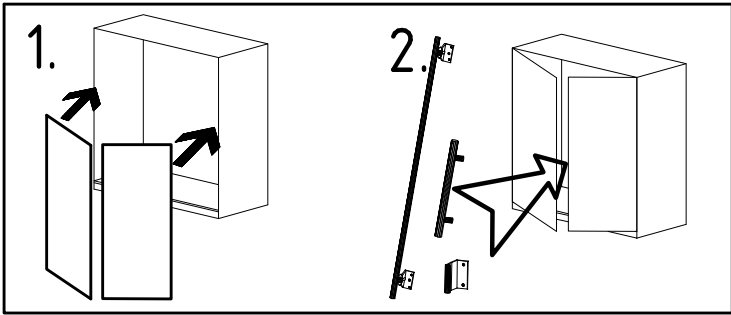
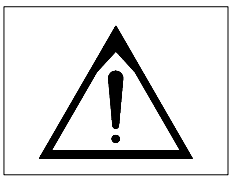


17

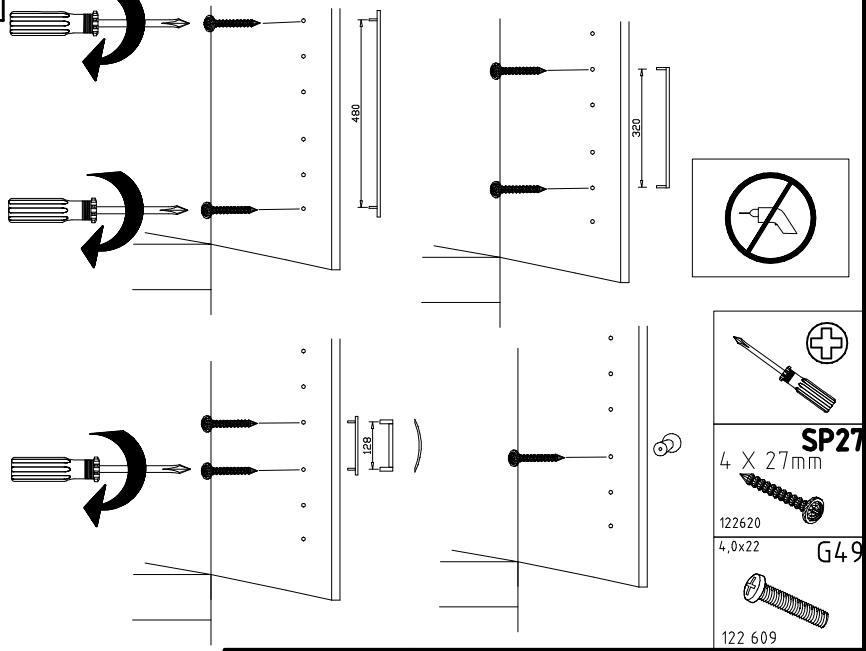
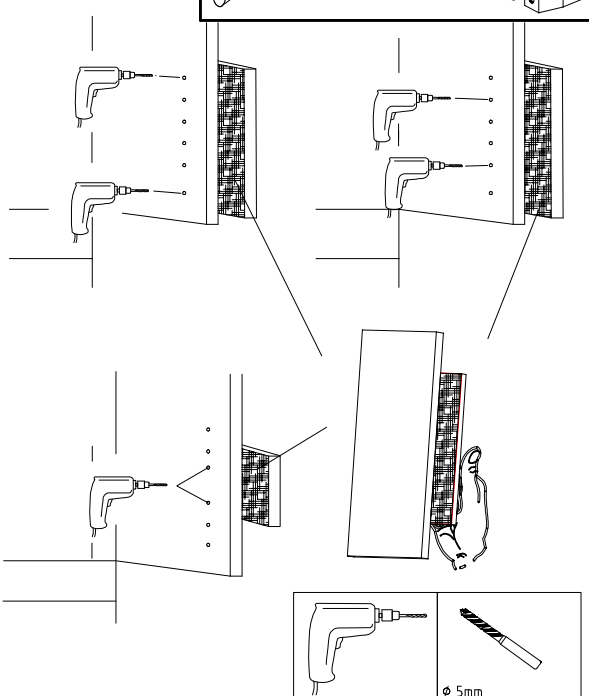
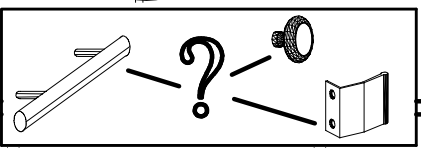
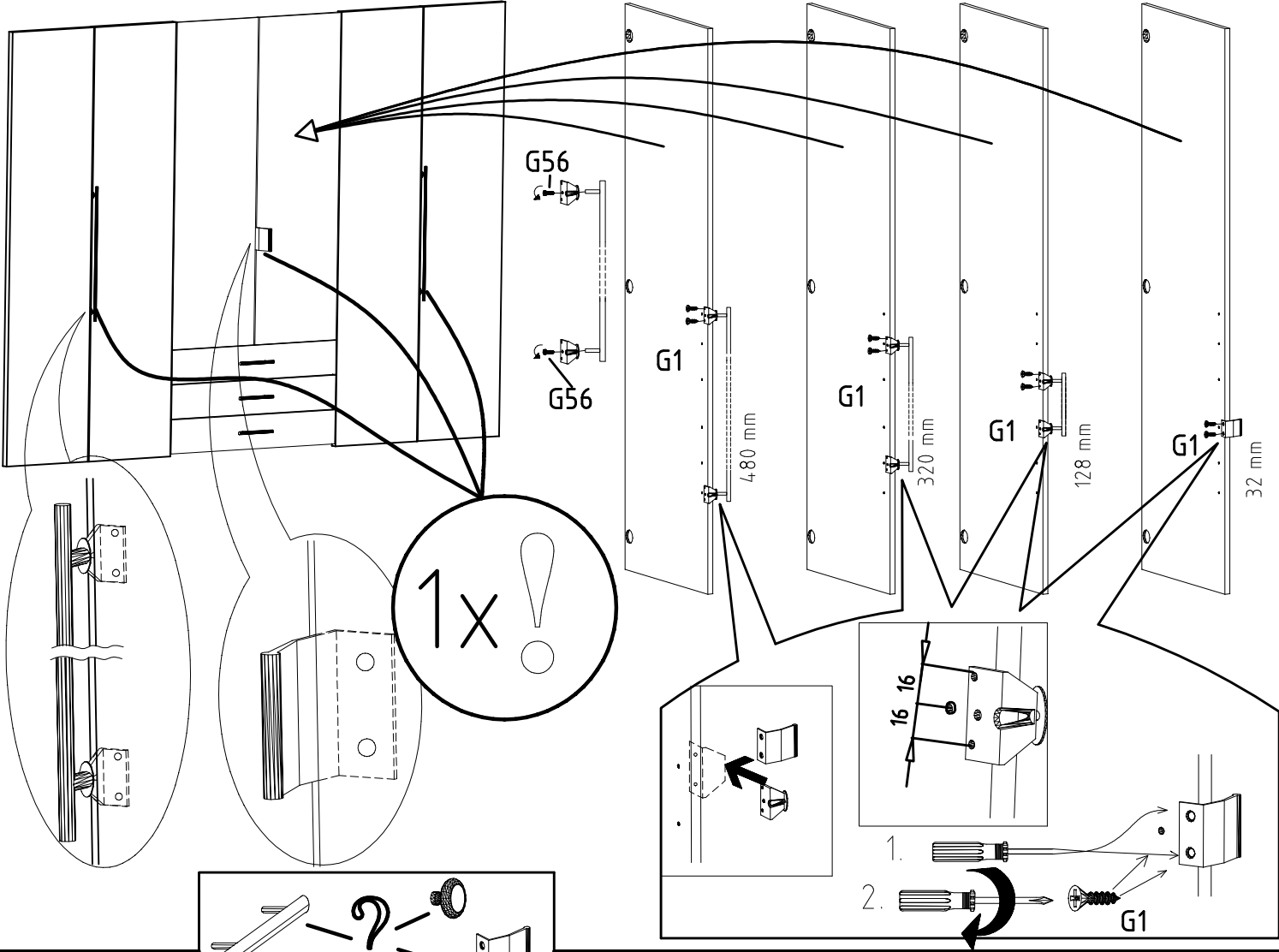




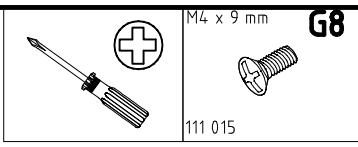




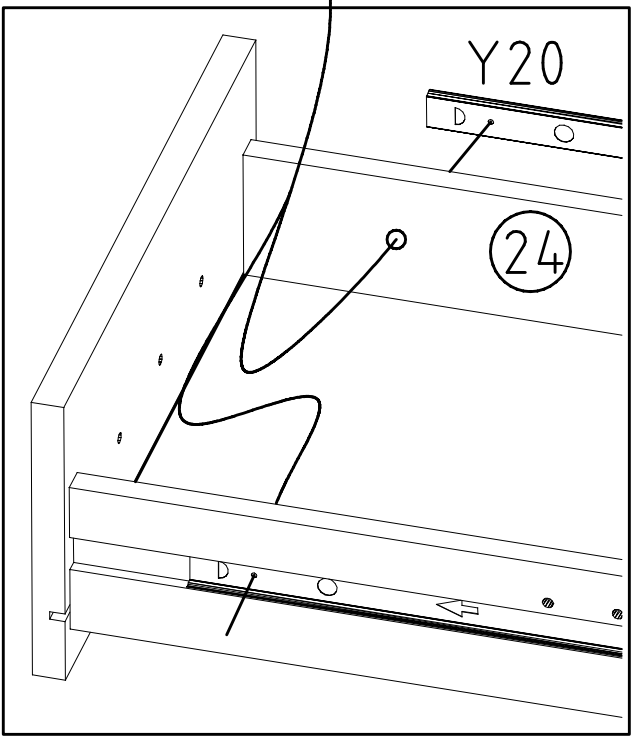
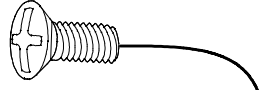
3,5 x 15 mm 121 370	G1	4,0 x 12 mm 122 625	G56
------------------------	----	------------------------	-----



21



G8



22

