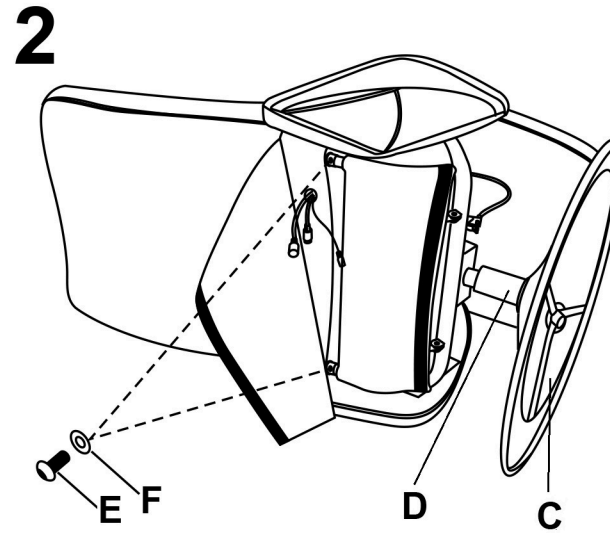
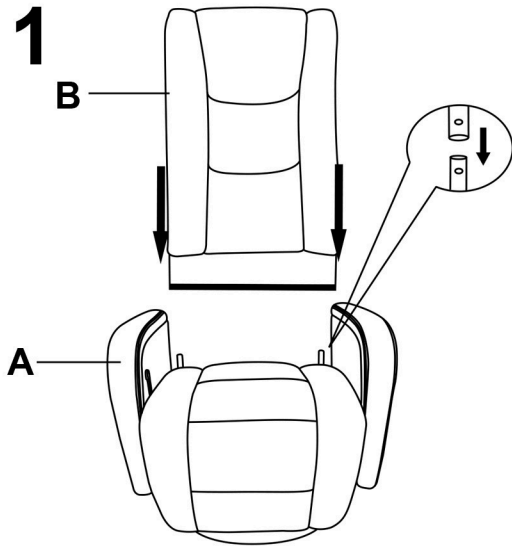
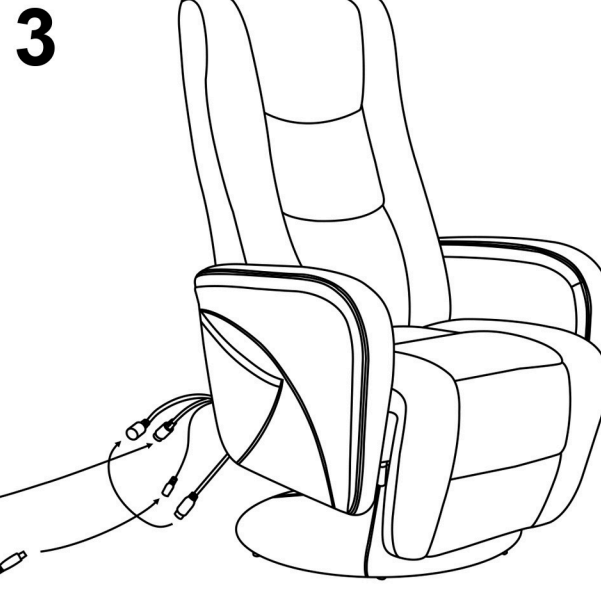


PELSOR 2



A		1
B		1
C		1
D		1
E		2
F		2
G		1
H		1



max. 136 kg

