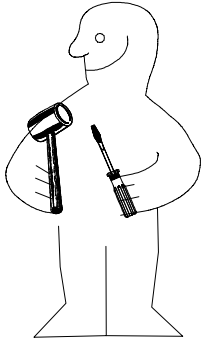
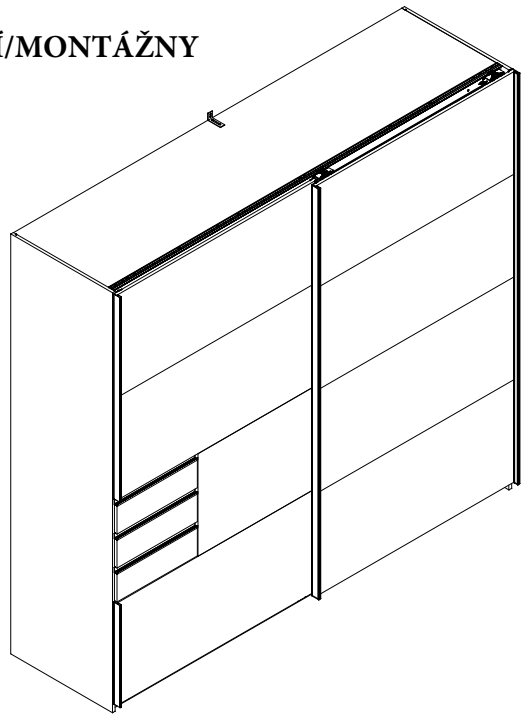


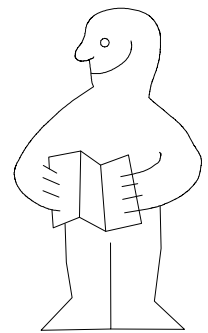
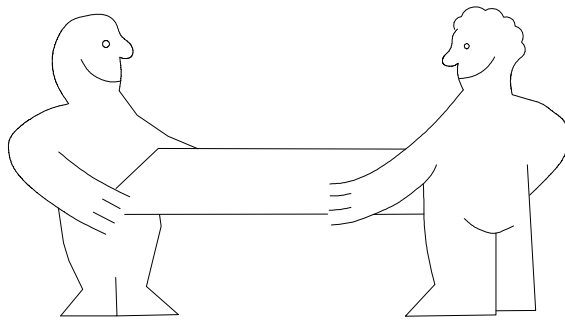
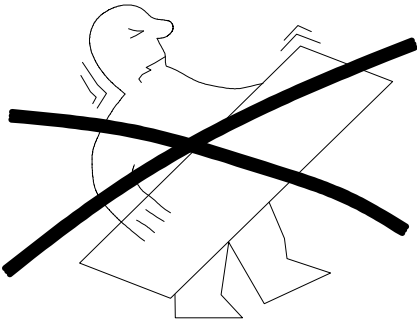
980875



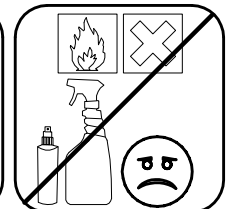
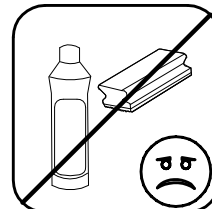
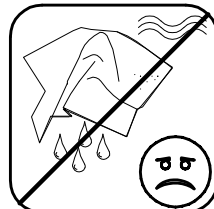
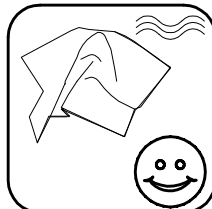
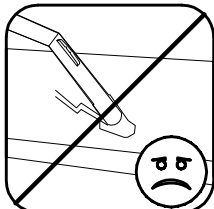
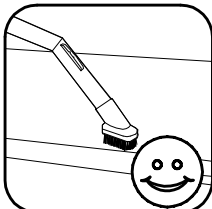
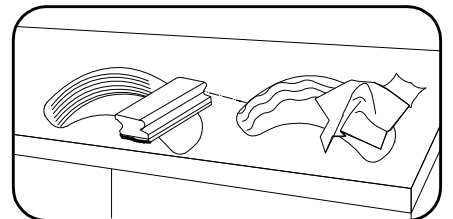
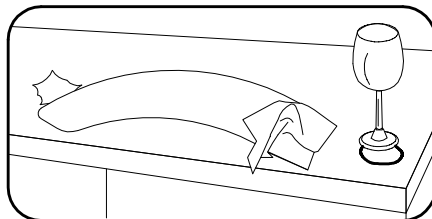
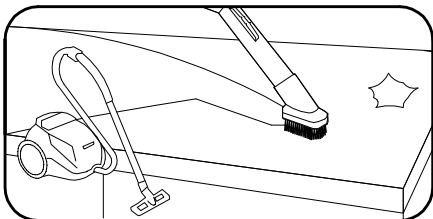
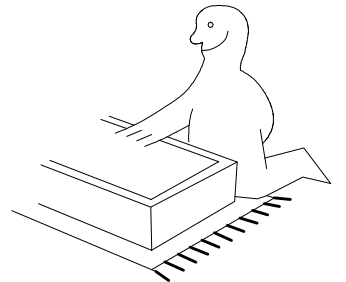
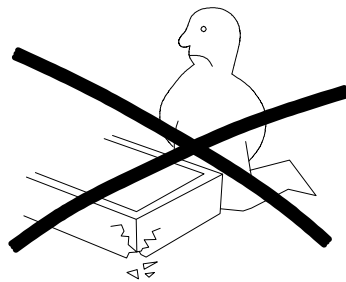
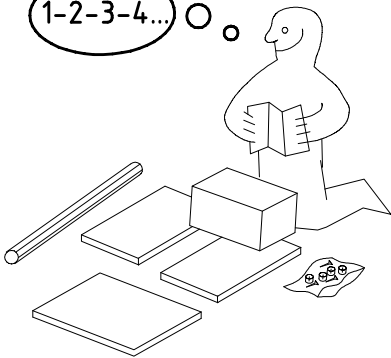
MONTÁŽNÍ/MONTÁŽNY
NÁVOD


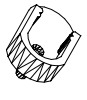
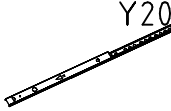
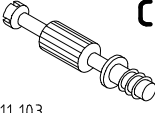


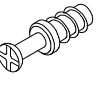
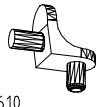

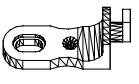

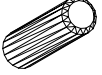


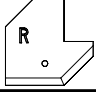
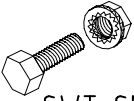
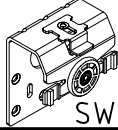
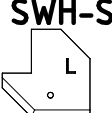
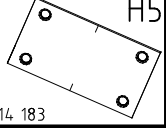
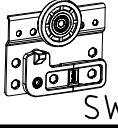
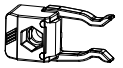
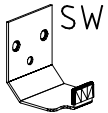
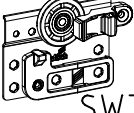
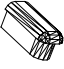
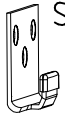
Typ 640

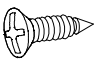
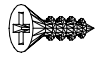

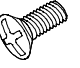
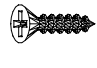
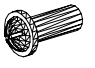

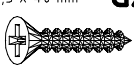




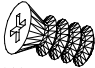

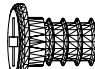
1-2-3-4... ○ ○

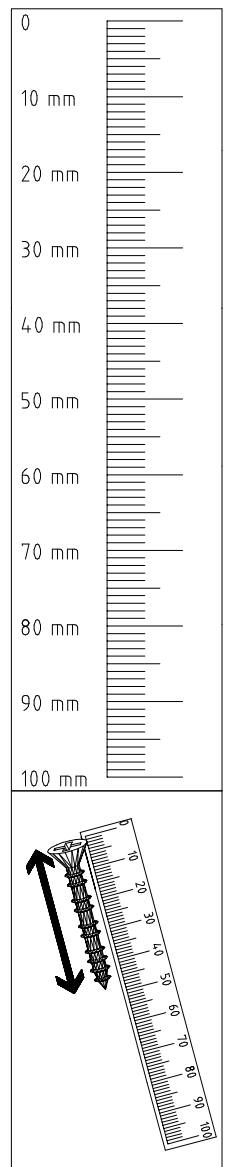
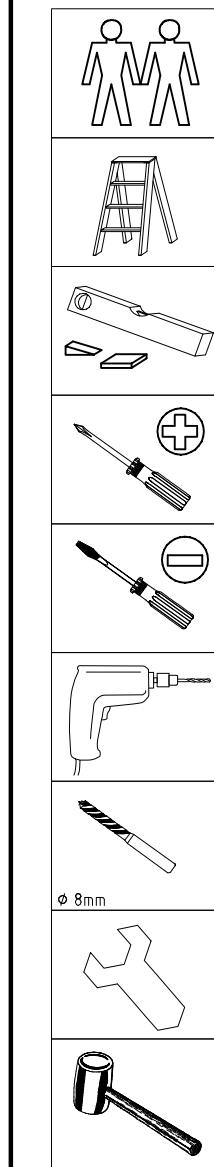


 111 102	A 14x	 117 001	K1 2x	 112 198	Y20 6x
 111 103	C 14x	 111 252	VB23 4x	 112 404	K22 1x
 111 229	F 4x	 111 610	L7 16x	 111 037	o10 1x
 111 174	J1 5x	 163 007	Z 2x	 353 018	D 2x

 R	SWH-SKR 1x	 SWT-SM5	2x	 SWT 1	2x
 L	SWH-SKL 1x	 114 183	H5 8x	 SWT 2	1x
 SWT-ST	2x	 SWH 6	2x	 SWT 8	1x
 SW-AK	5x	 SWH 7	2x		

 121 370	G1 3,5 x 15 mm 13x	 121 113	G21 3 x 13 mm 12x	 121 xxx	G43 M4 x 10 mm 5x
 111 015	G8 M4 x 9 mm 6x	 121 004	G24 3,5 x 22 mm 9x	 121 xxx	GH13 M4 x 13 mm 5x
 121 375	G14 3,5 x 35 mm 12x	 121 374	G25 3,5 x 40 mm 7x	 121 122	SP13 4 x 13mm 74x

 121 120	SP15 4 x 15mm 1x	 112 616	T3 M6 x 10 6x
 111 030	T2 6,3 x 10,5 mm 24x	 121 181	T6 M6 x 11 mm 4x



FPN
1316/1760
2204/2648/3092/3536

2x 17C 2016mm
1x 517C 1007mm
1x 617C 503mm

1x 17B 2016mm

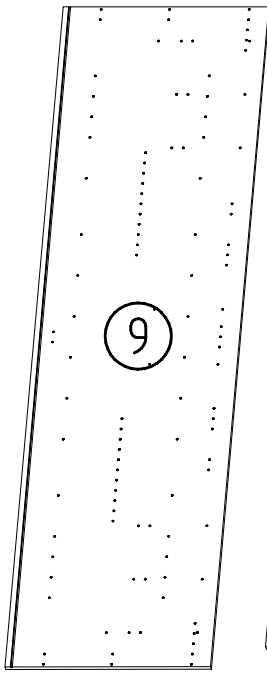
2x 17D

**SWT-LP
NSP**
1316/1760
2204/2648/3092/3536

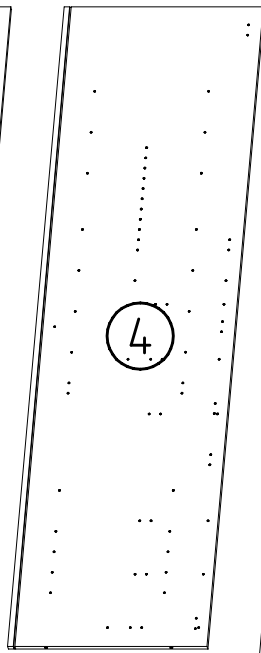
18A 1109mm

18B 440mm

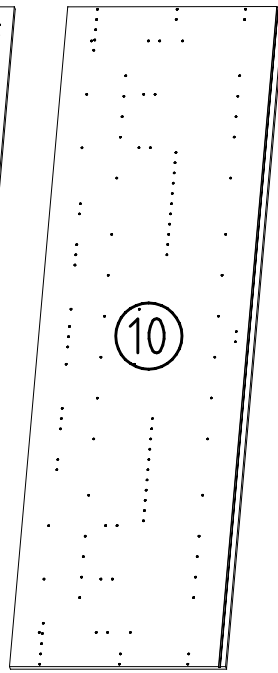
3x ZU25 456mm



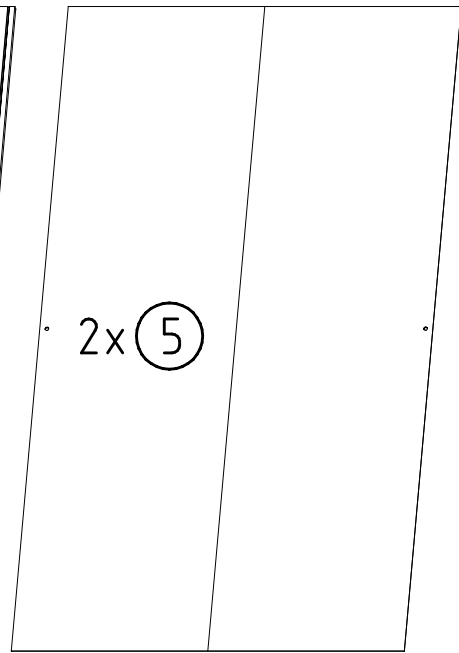
2064x577x15



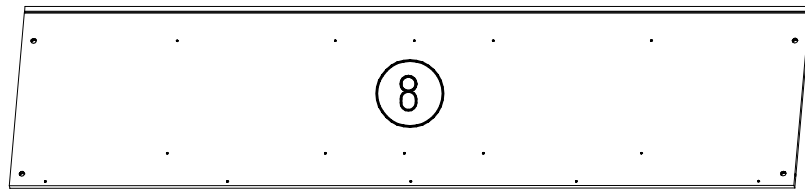
2001x560x15



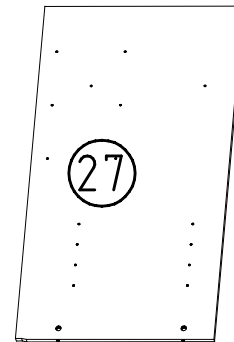
2064x607x15



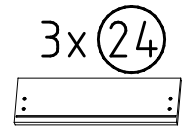
2015x1104x2,5



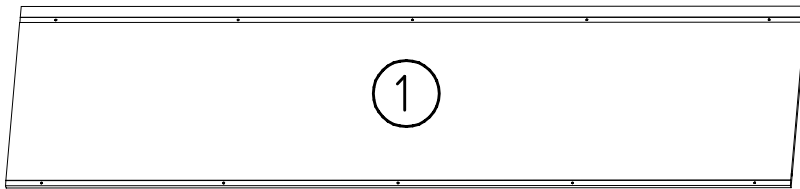
2205x560x15



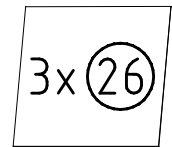
1041,5x557x15



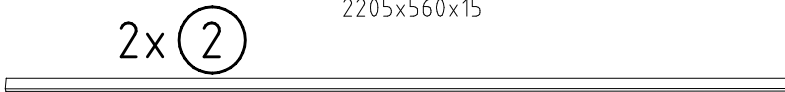
456x138x15



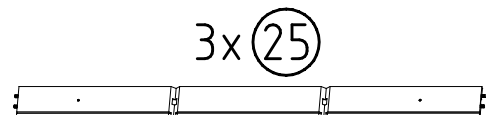
2205x560x15



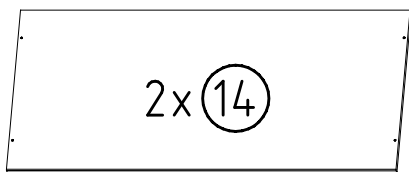
437x408x2,5



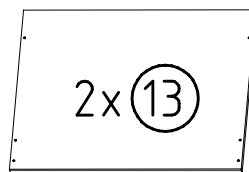
2204x32x15



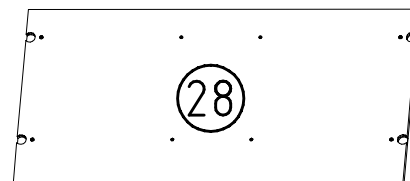
439/422/439x92x12



1095x500x18



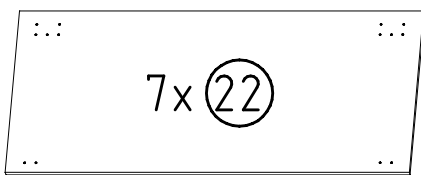
651x500x18



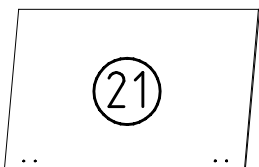
1095x540x18



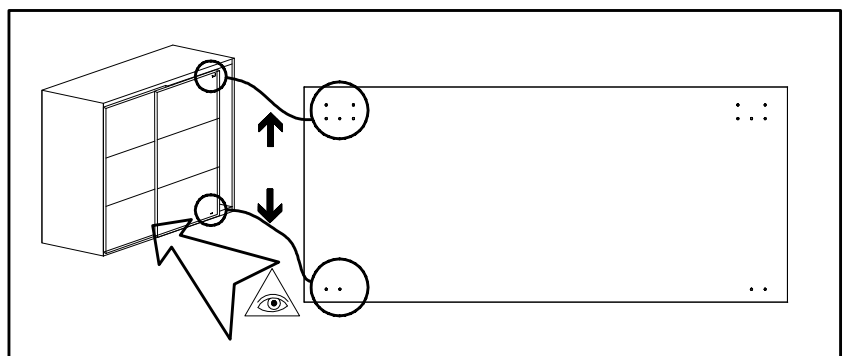
385x247x2,5

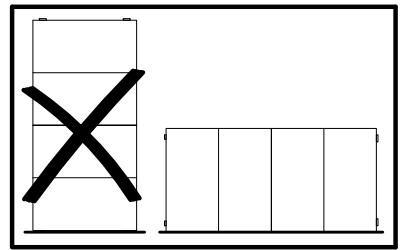
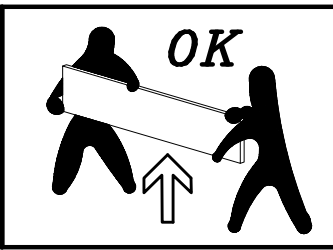
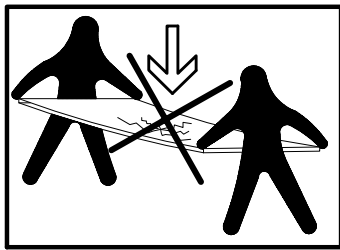
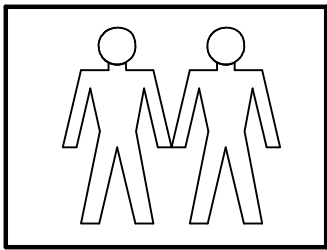


1135x504x15

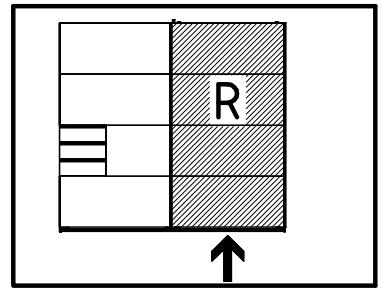
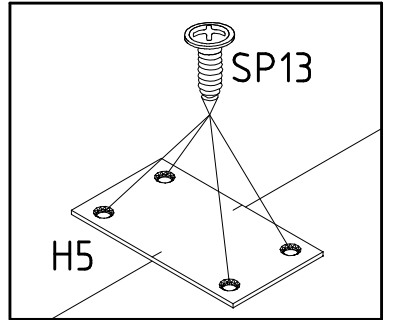
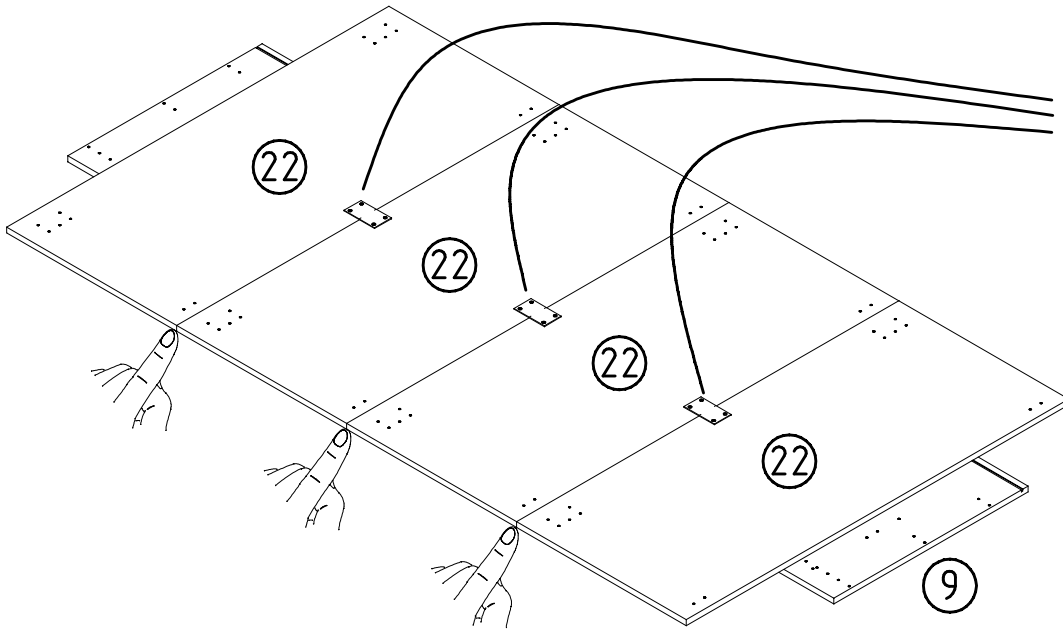
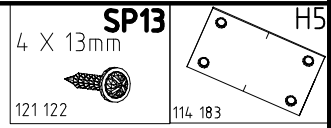


674x504x15

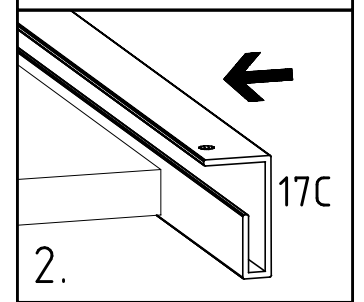
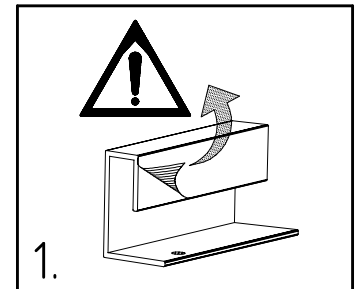
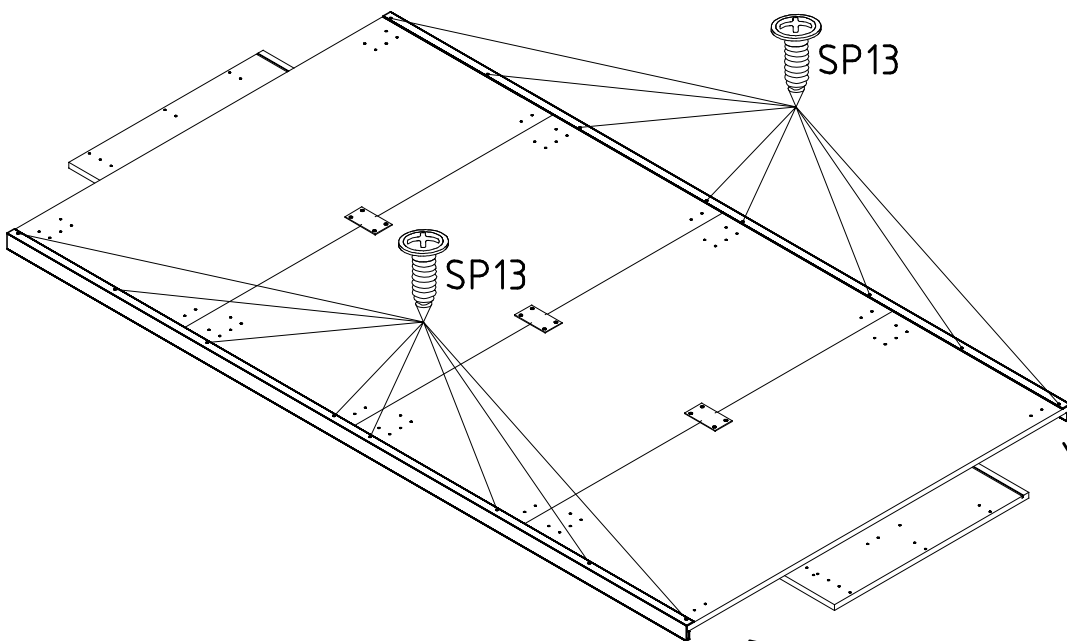
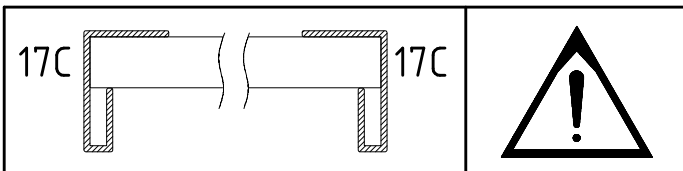




1



2



3

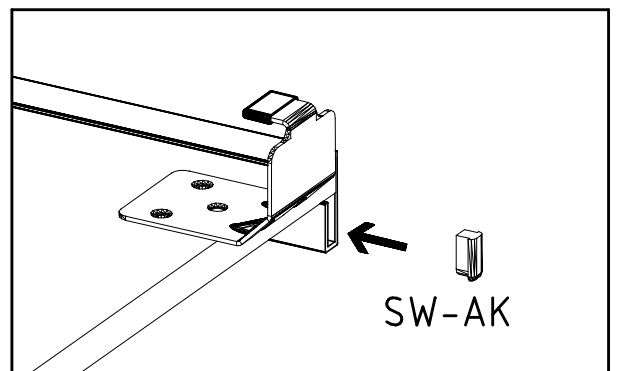
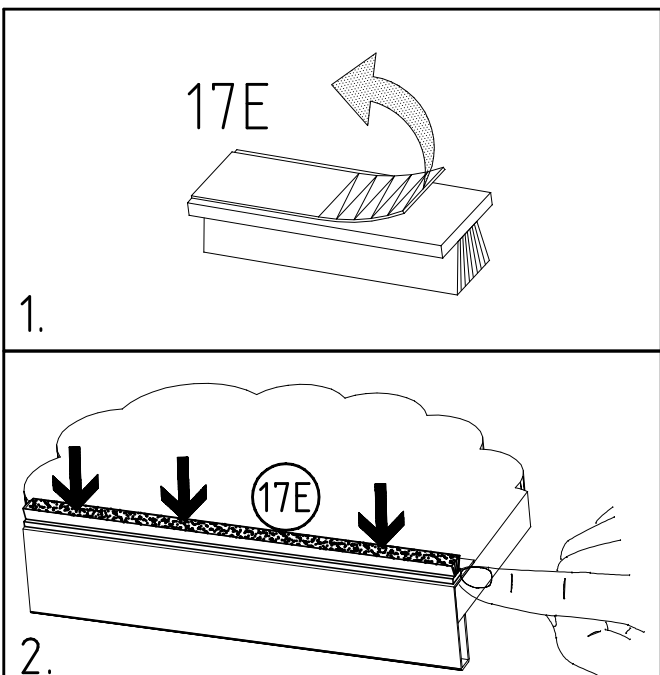
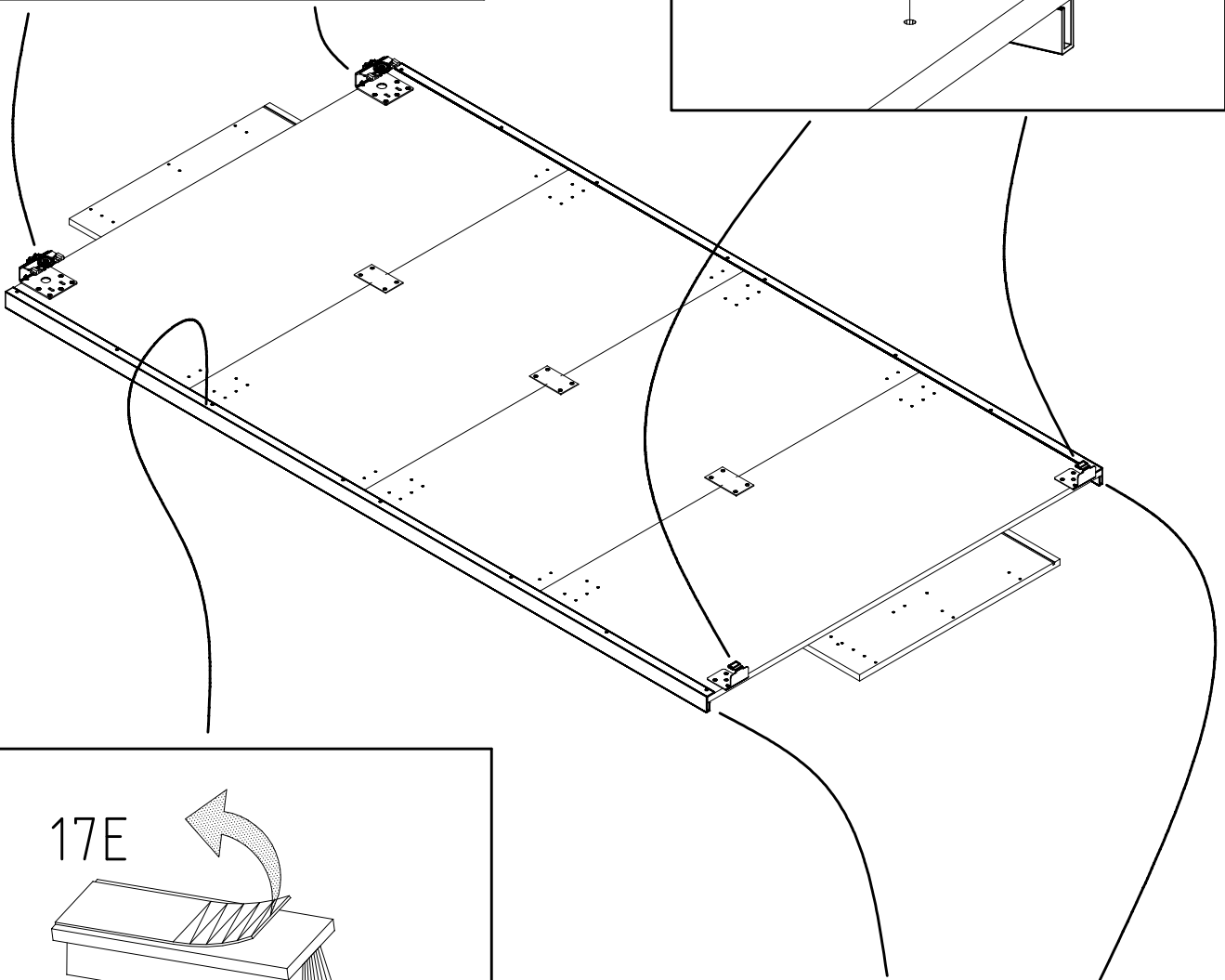
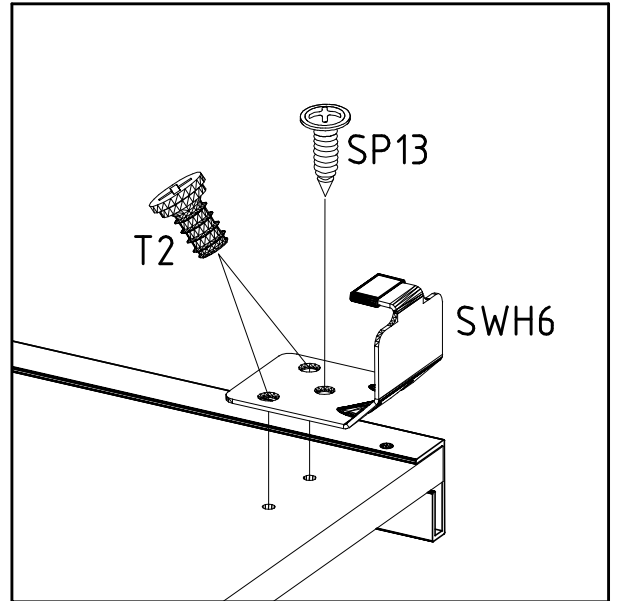
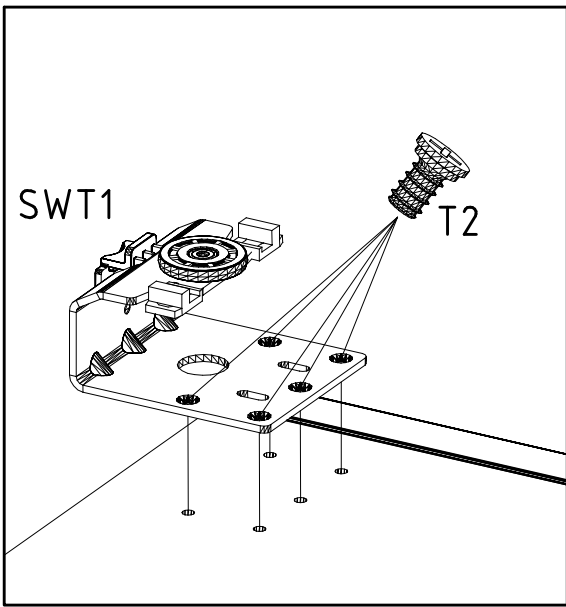
SP13
4 X 13mm
121 122

6,3 x 10,5 mm T2
111 030

SW-AK

SWH 6

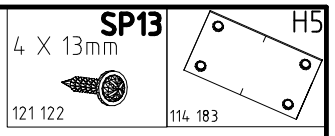
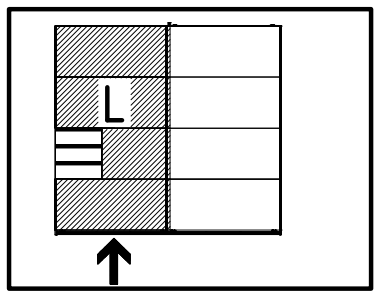
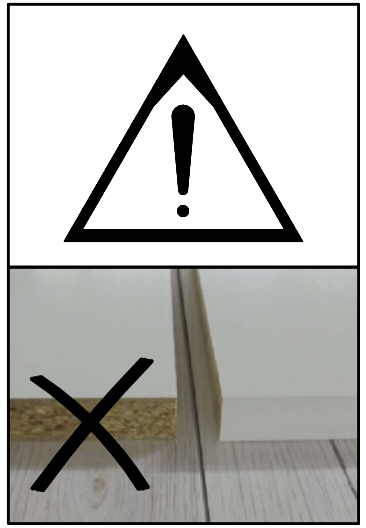
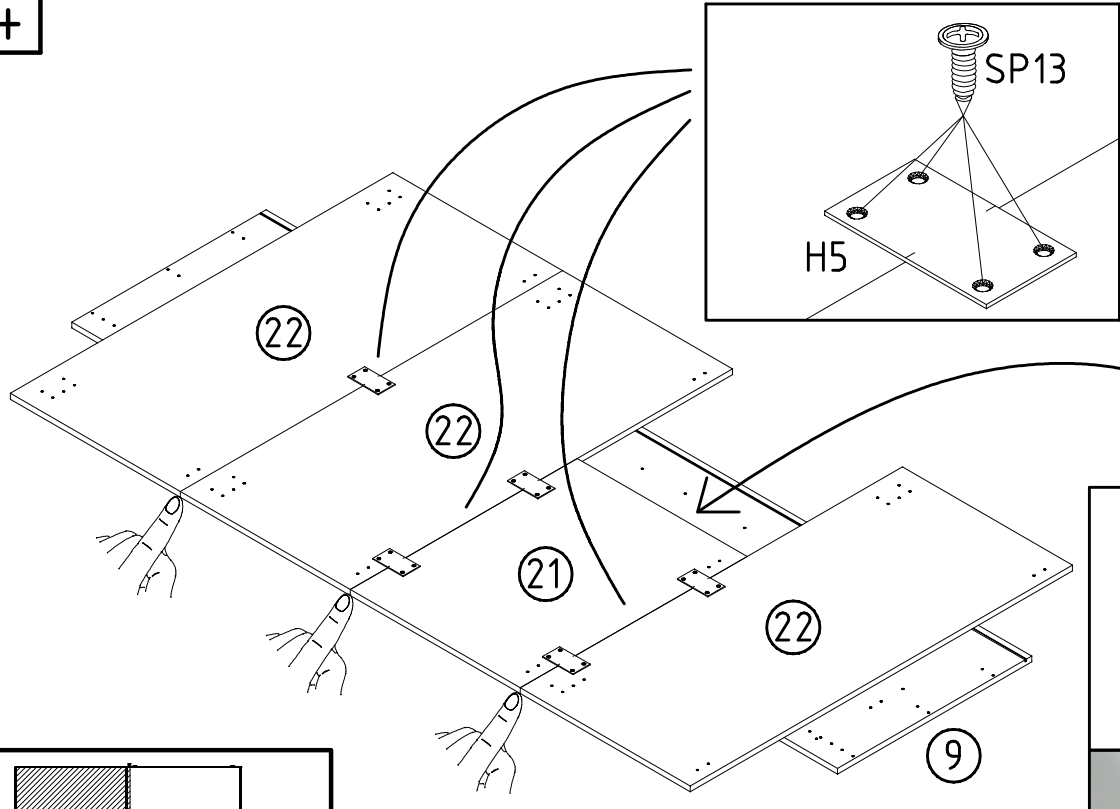
SWT 1



4

SP13
4 X 13mm
121 122

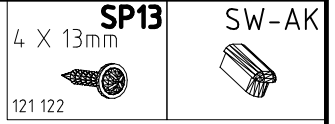
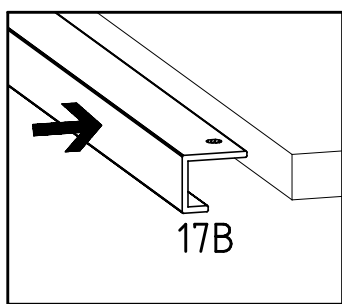
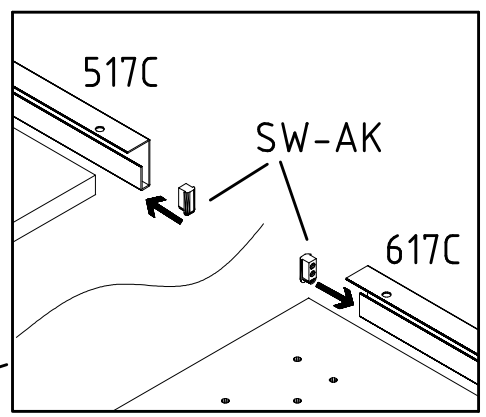
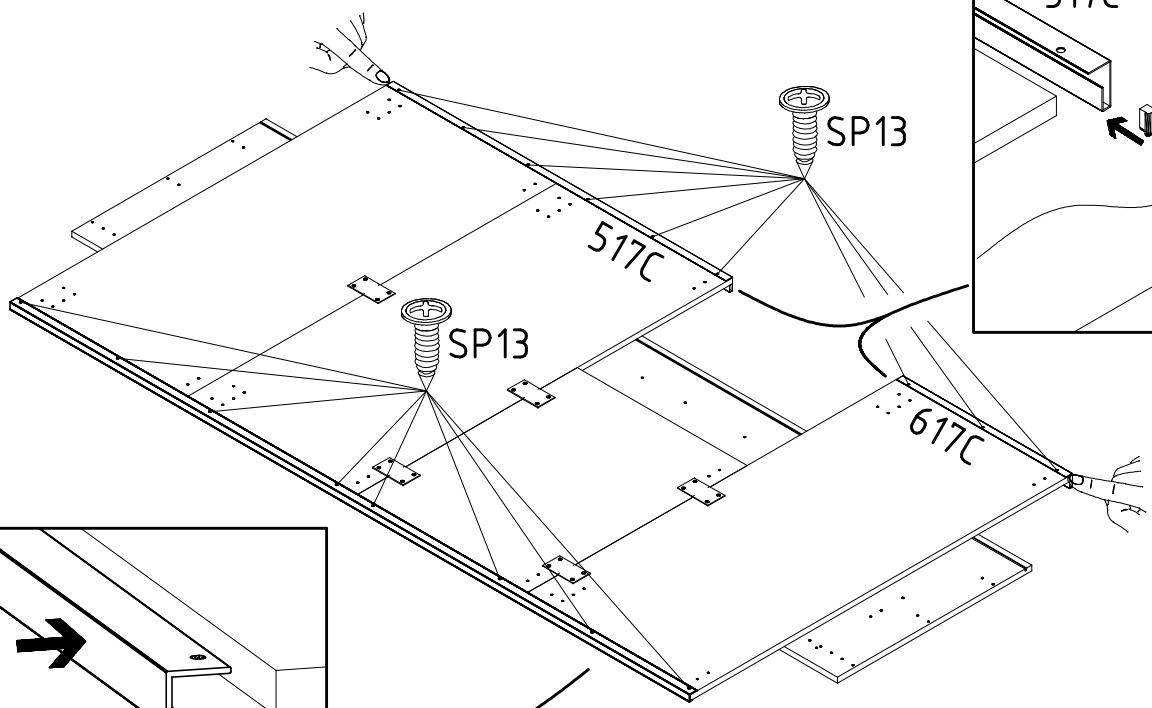
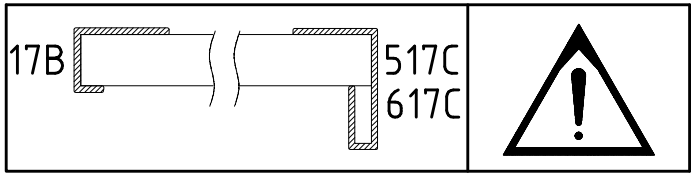
H5
114 183

5

SP13
4 X 13mm
121 122

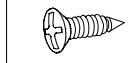
SW-AK

6

3,5 x 15 mm

G1



121 370

4 X 13mm

SP13



121 122

6,3 x 10,5 mm

T2



111 030

SW-AK



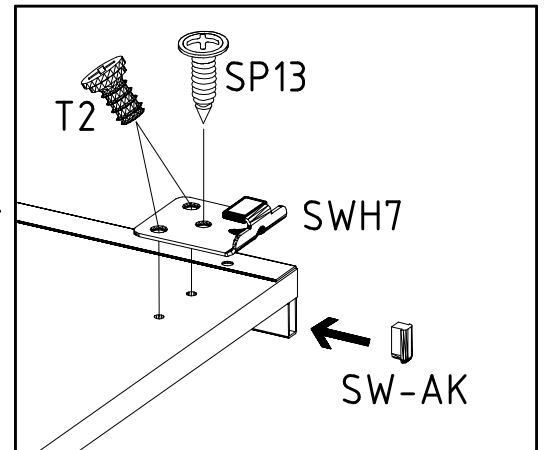
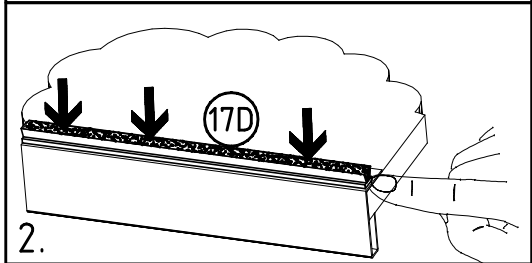
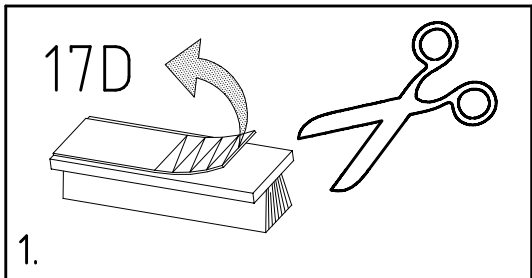
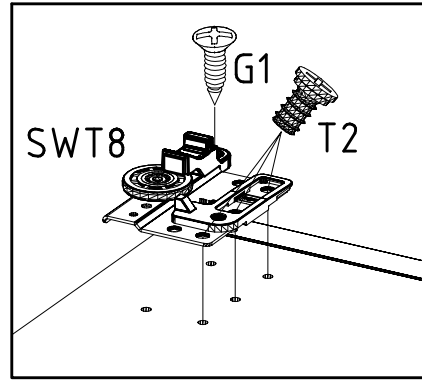
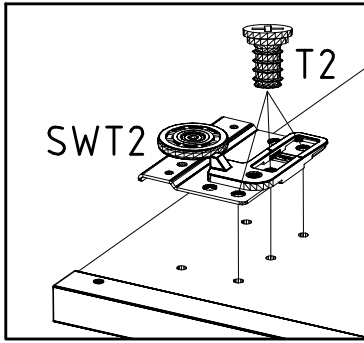
SWH 7



SWT 8



SWT 2



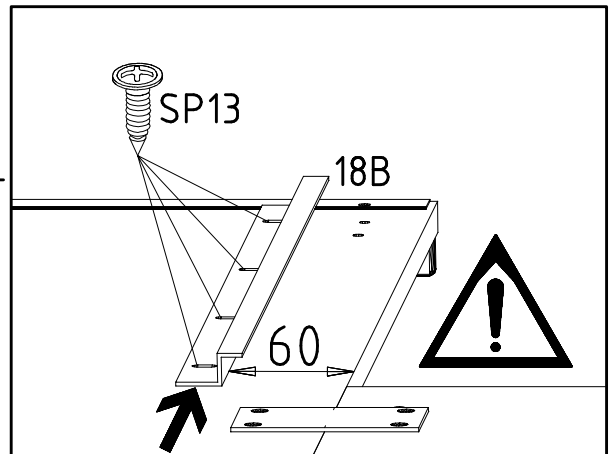
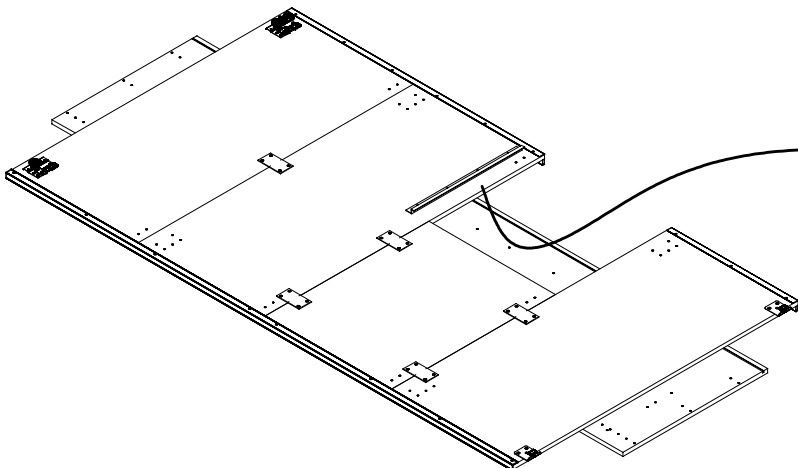
7

4 X 13mm

SP13



121 122



980875

09.03.20 / 02.09.22

09 22

7/25

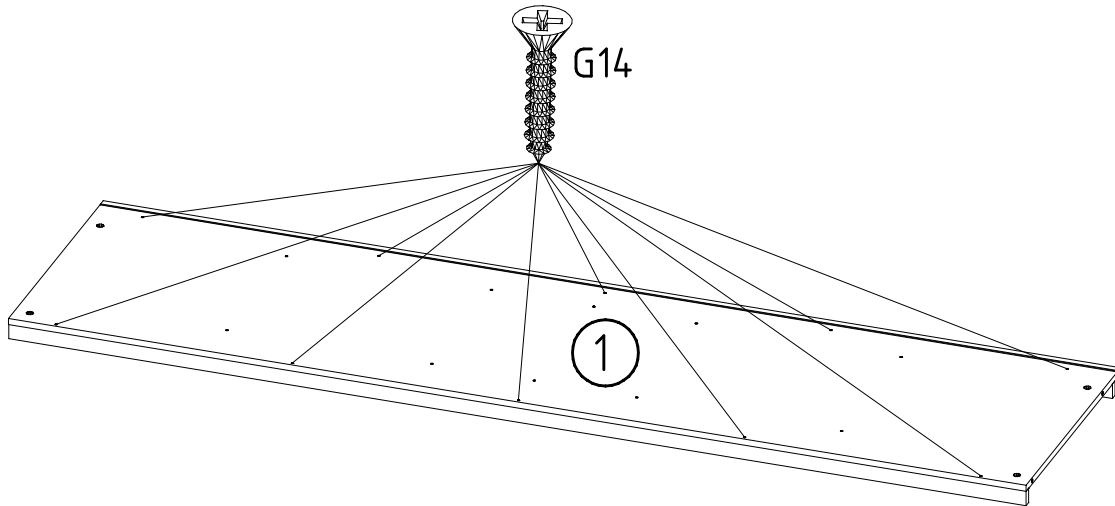
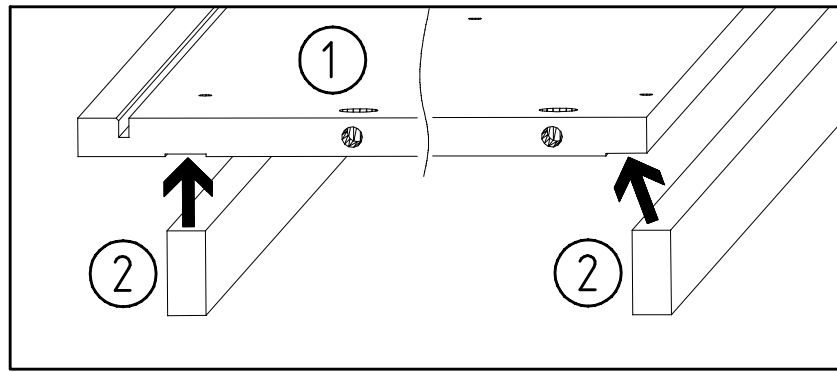
8

3,5 x 35 mm

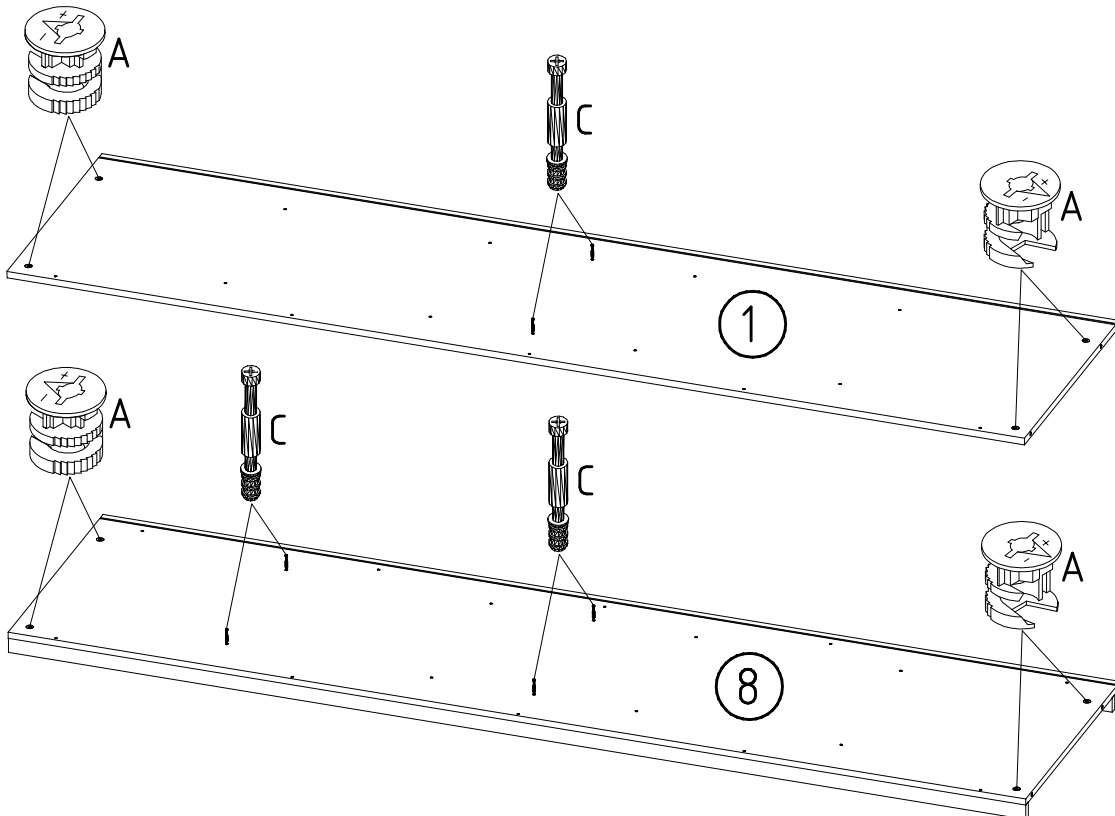
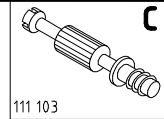
G14



121 375



9





121 004



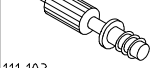
L



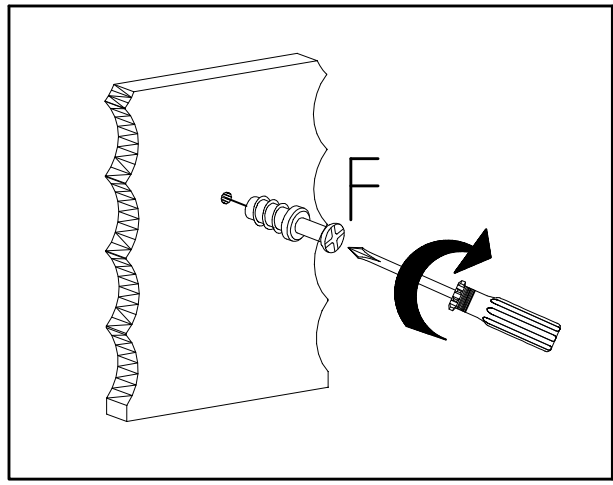
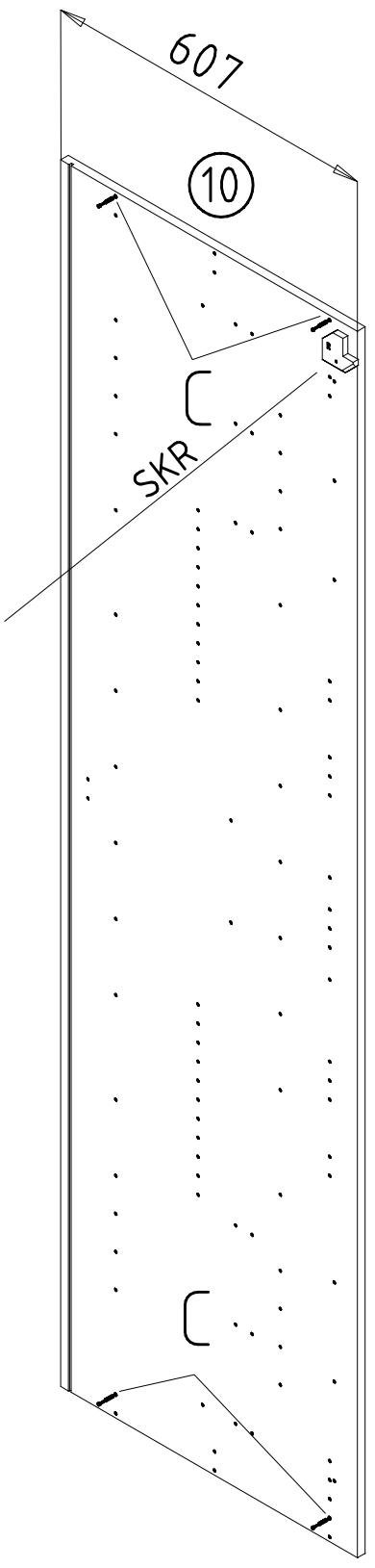
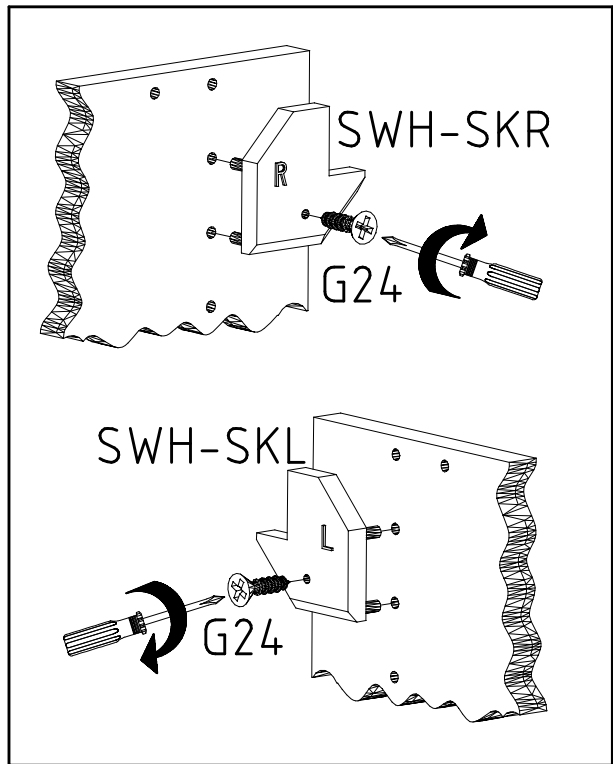
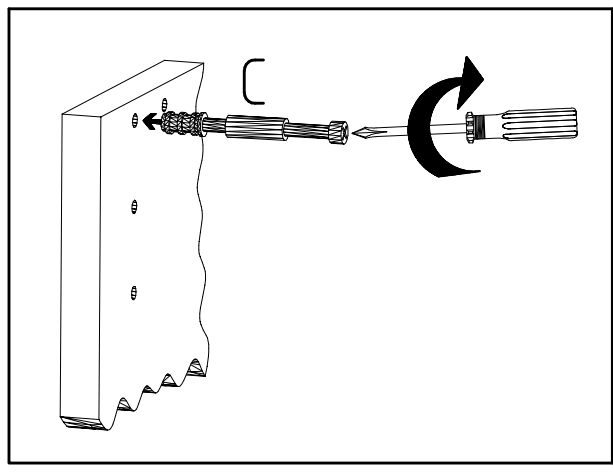
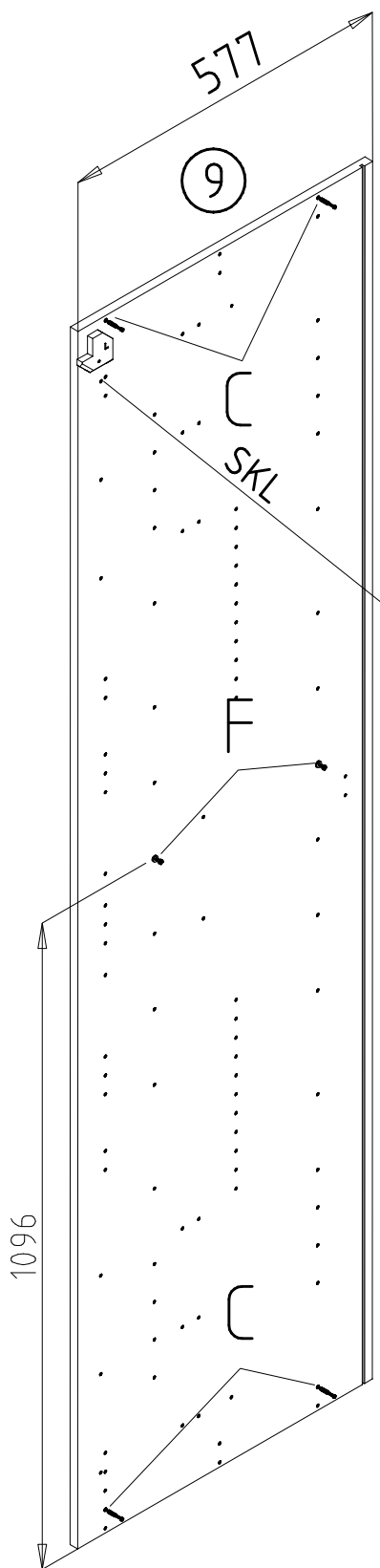
R

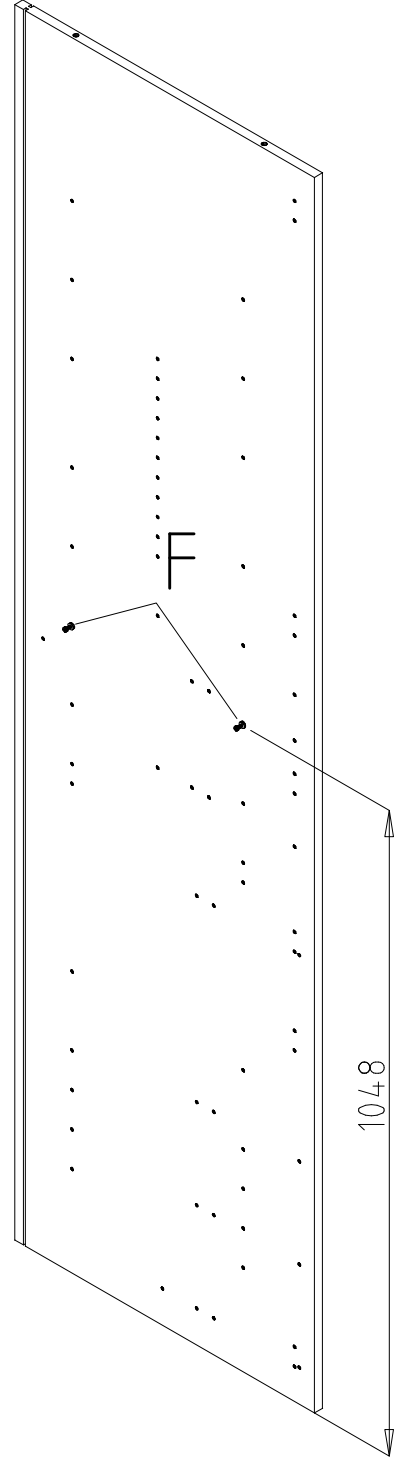
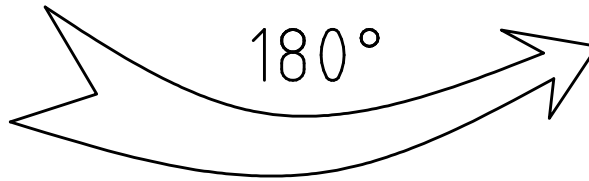
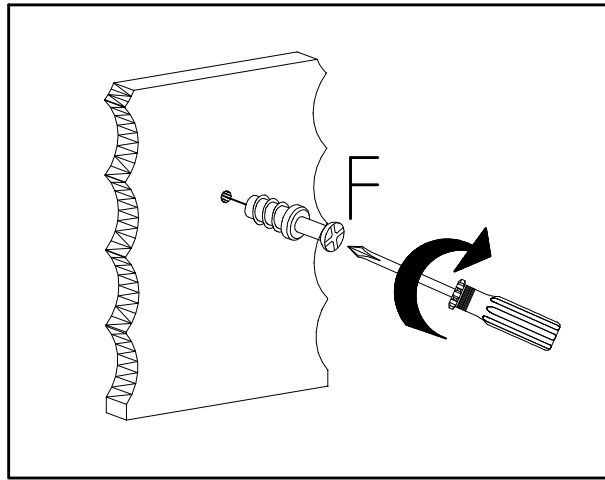
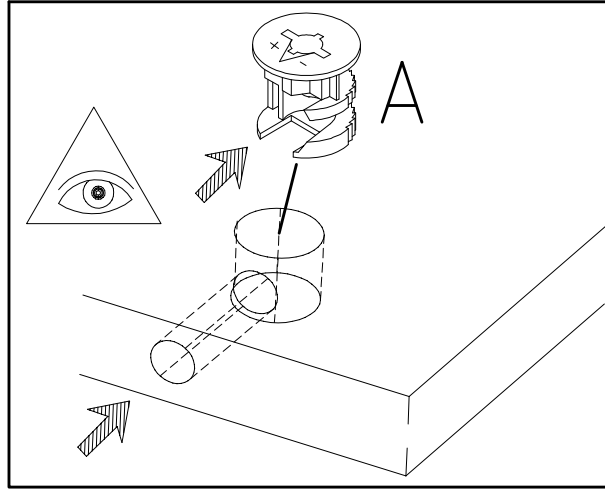
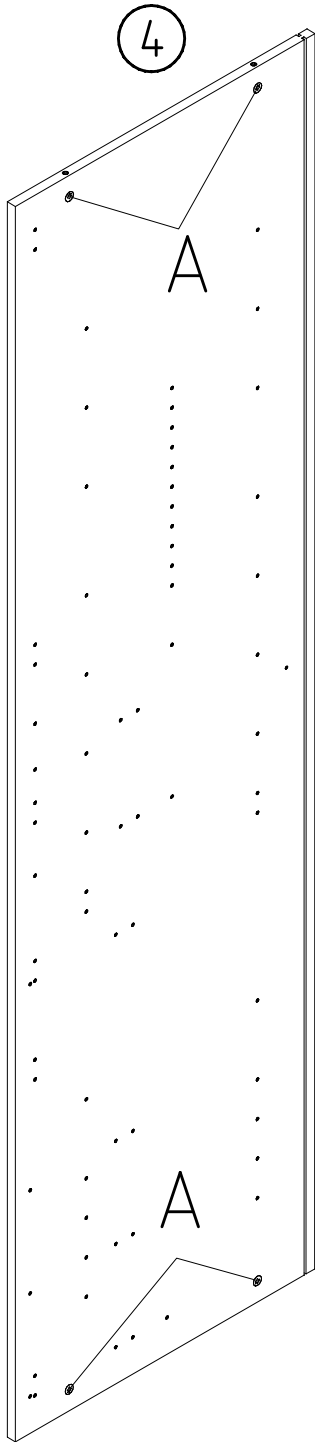


111 229

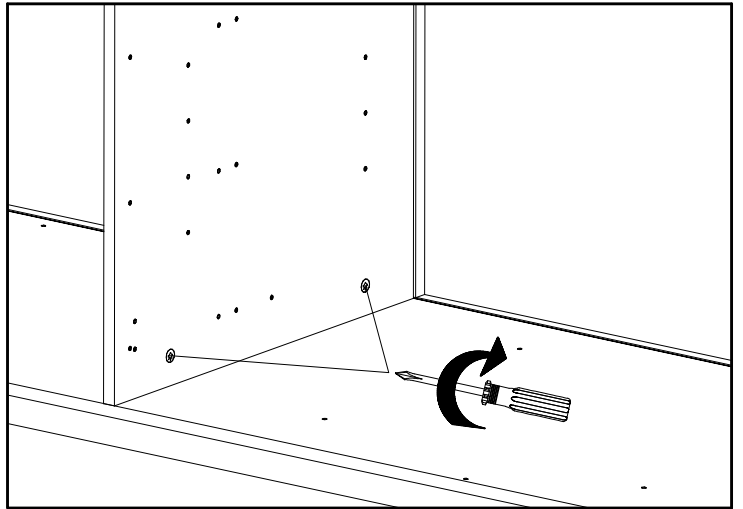
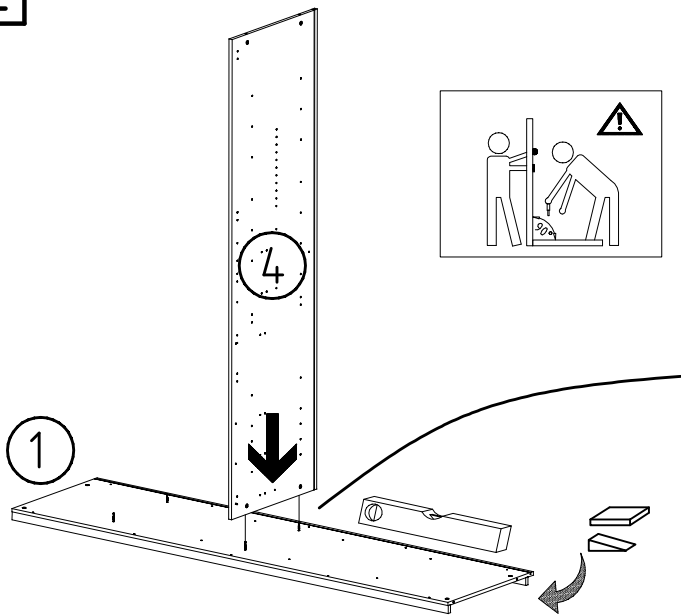


111 103

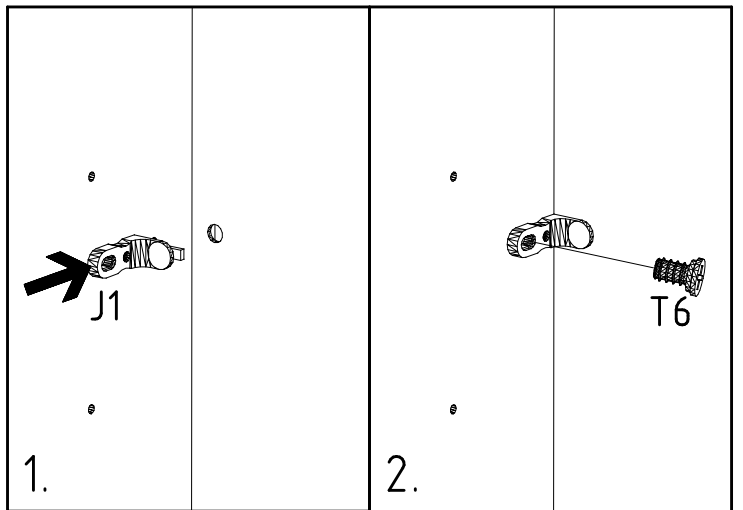
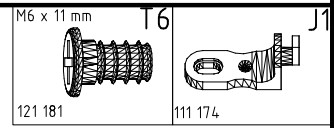
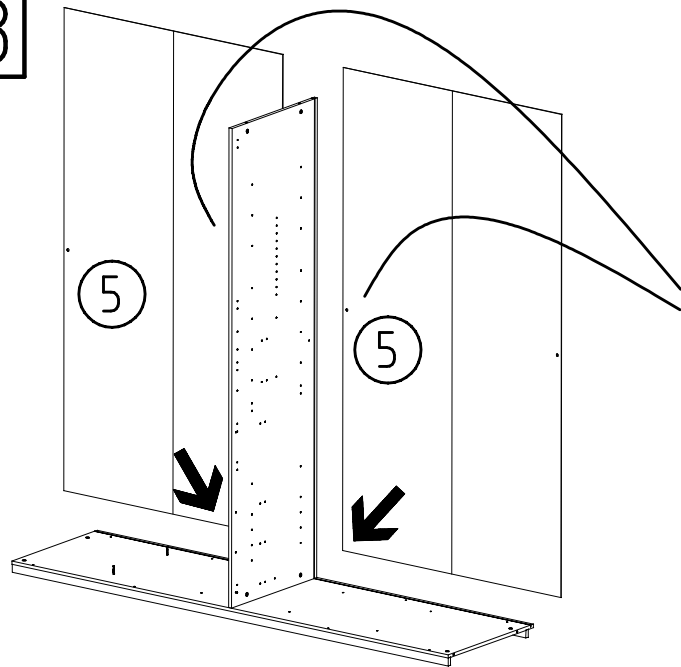




12

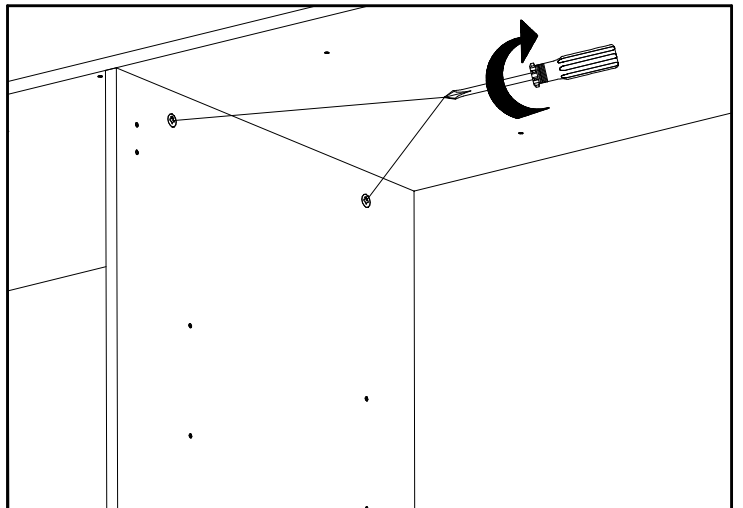
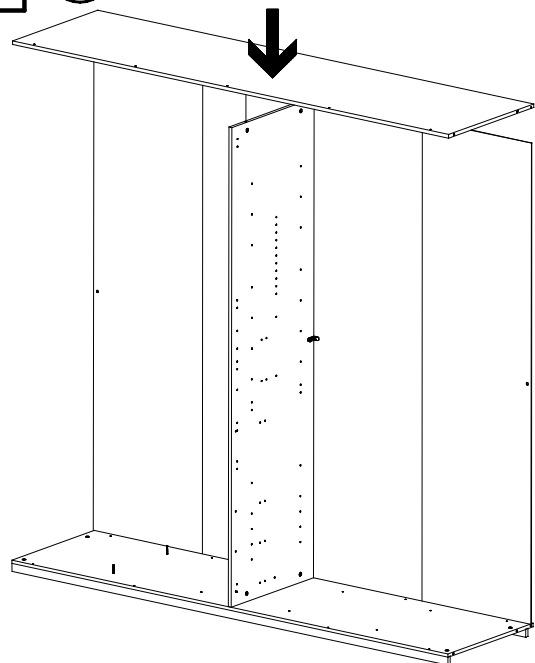


13

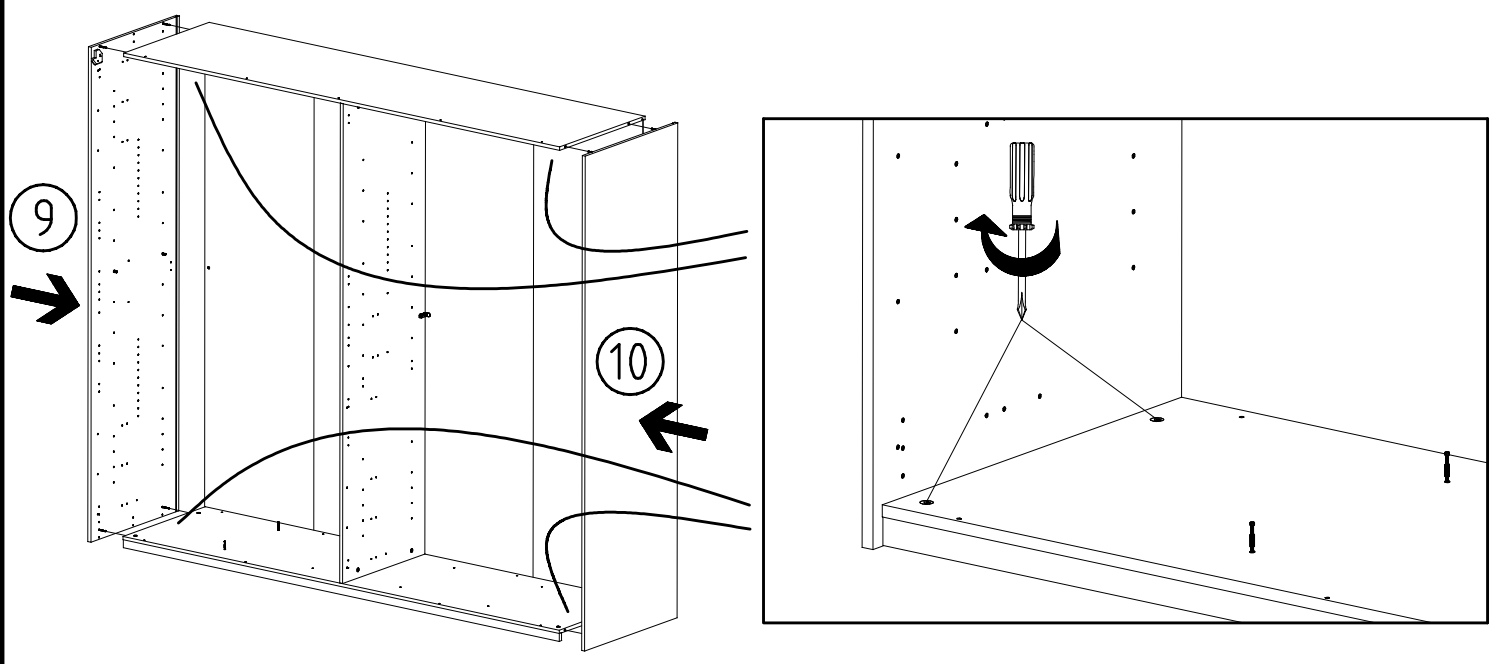


14

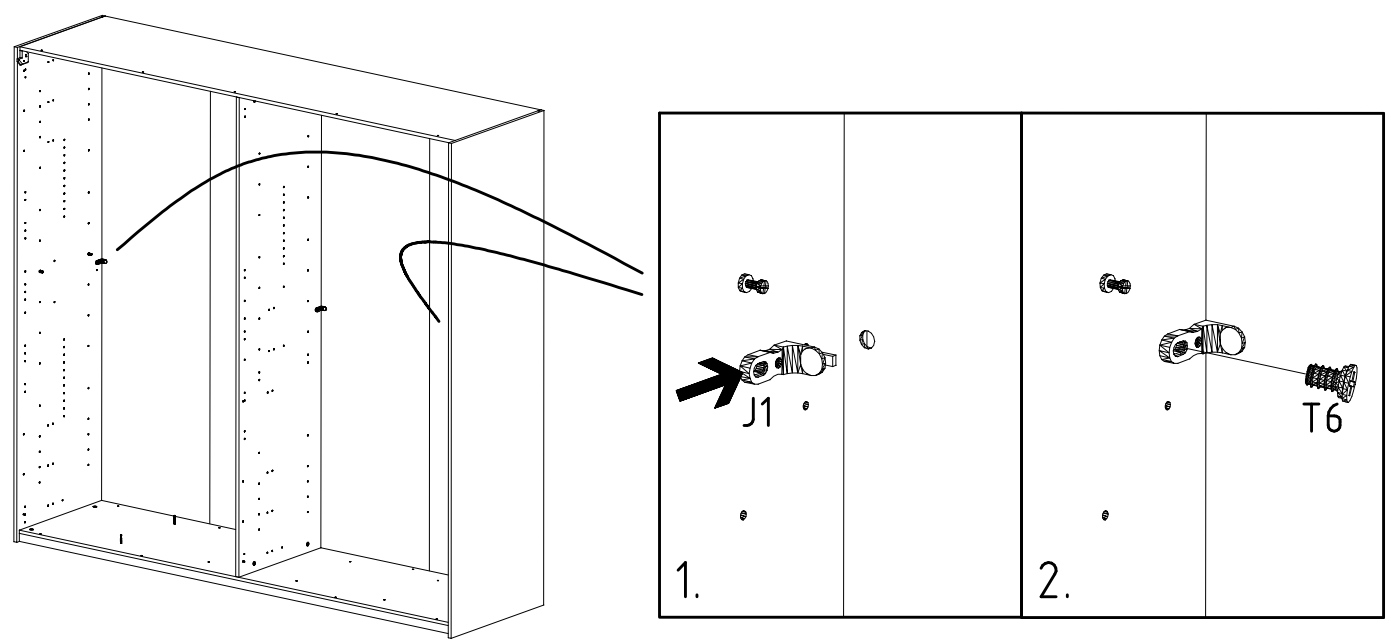
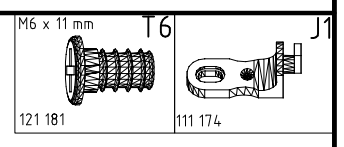
8



15

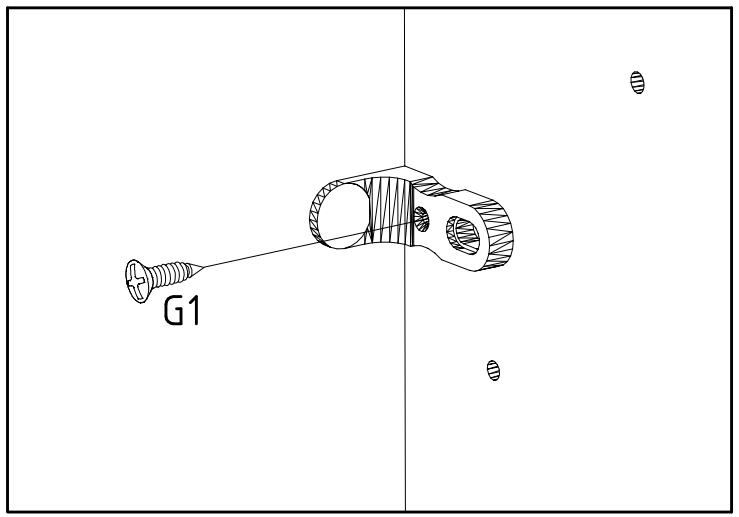
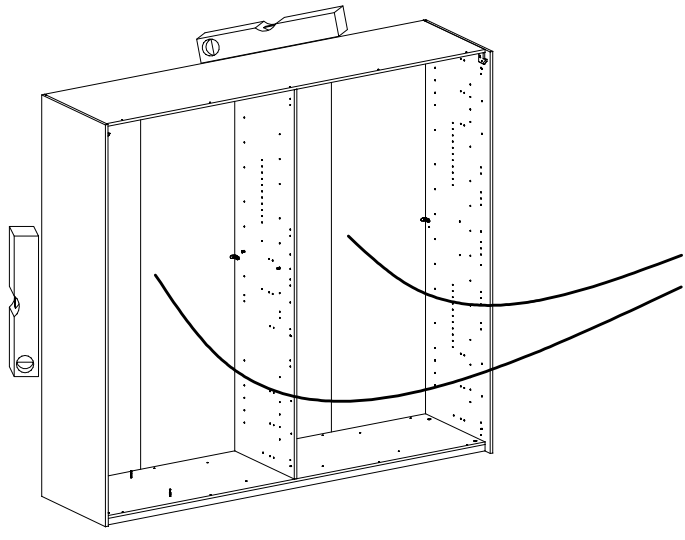


16



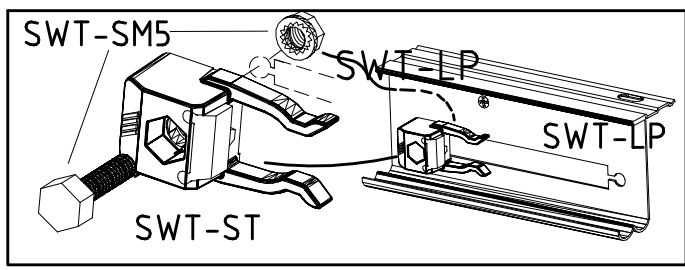
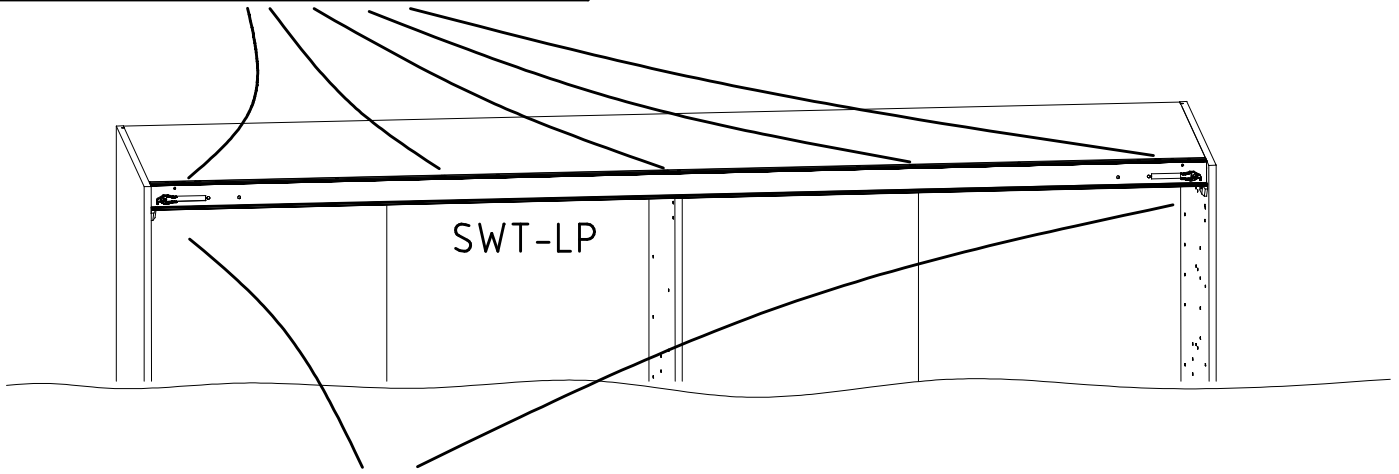
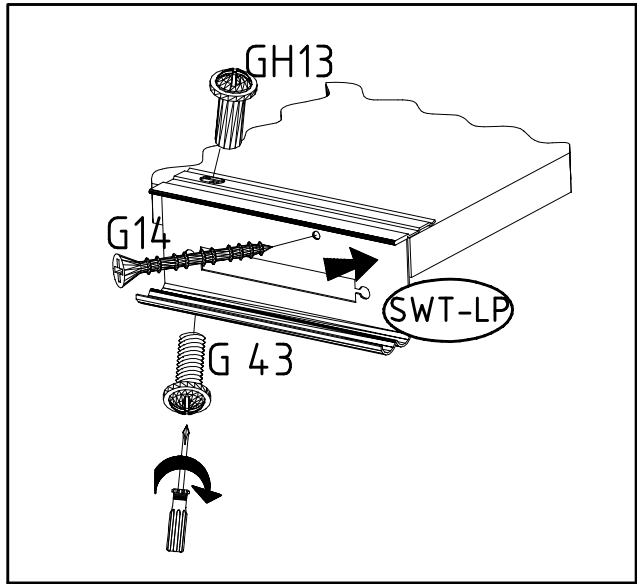
17

3,5 x 15 mm G1
121 370



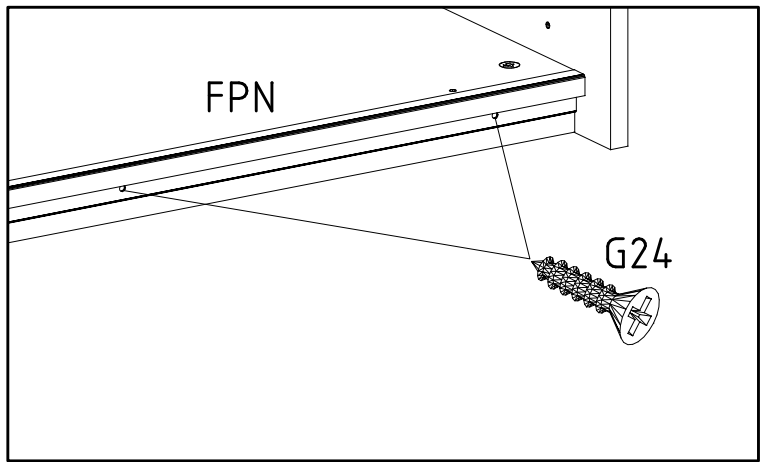
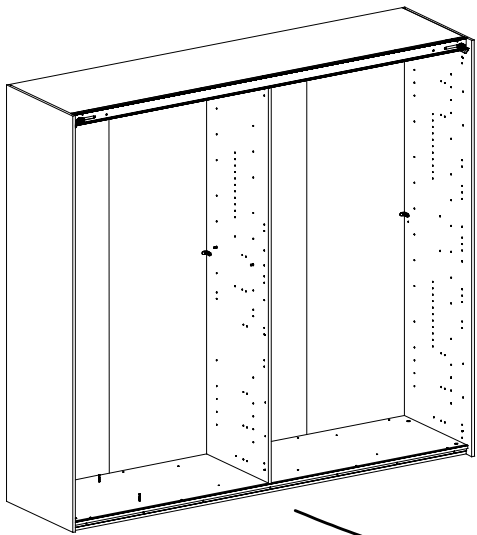
18

3,5 x 35 mm 121 375	G14 M4 x 13 mm 121 xxx	GH13 M4 x 10 mm 121 xxx	G43 SWT-SM5	SWT-ST
------------------------	-------------------------------------	-------------------------------	----------------	--------



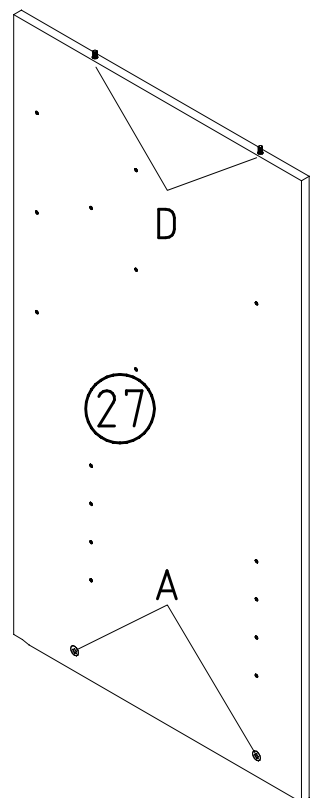
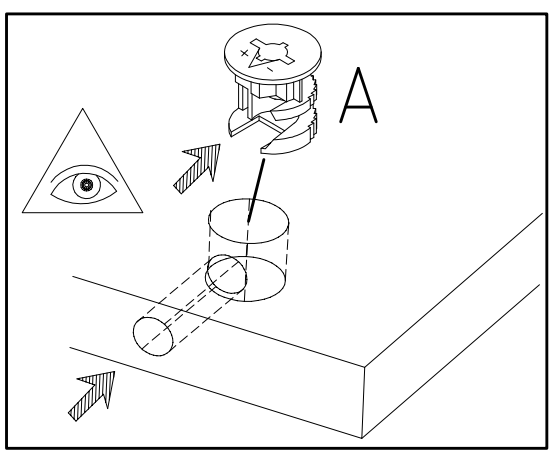
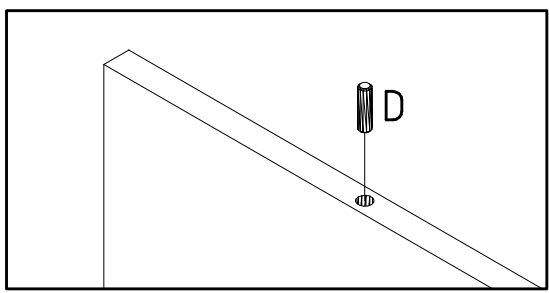
19

3,5 x 22 mm G24
121 004



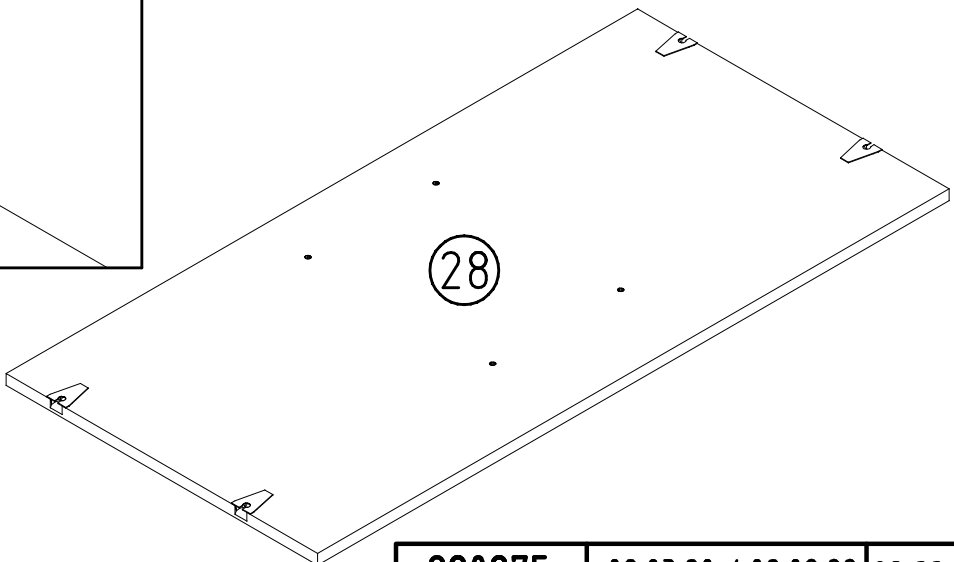
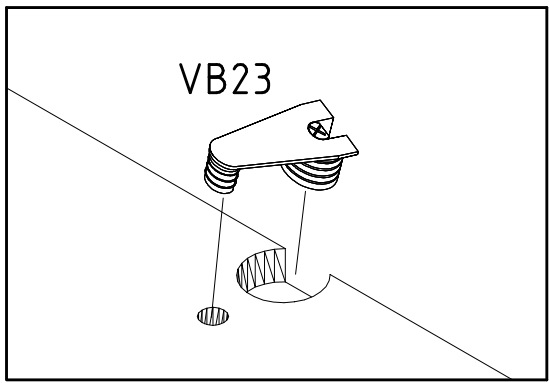
20

D A
353 018 ø8 x 30 111 102

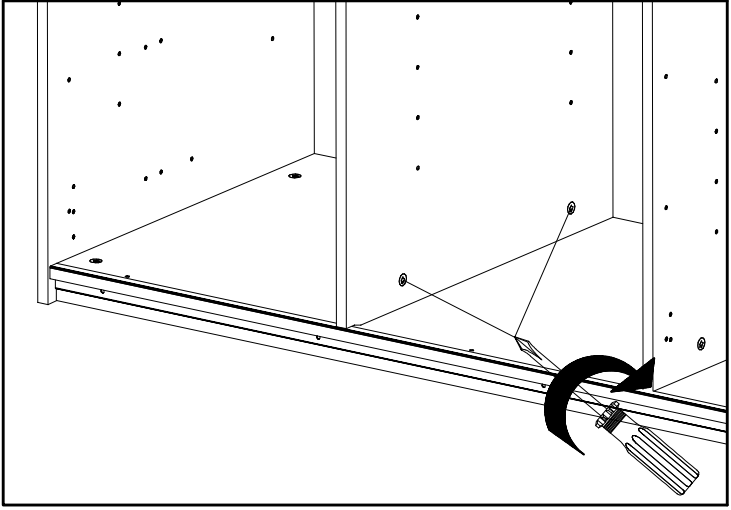
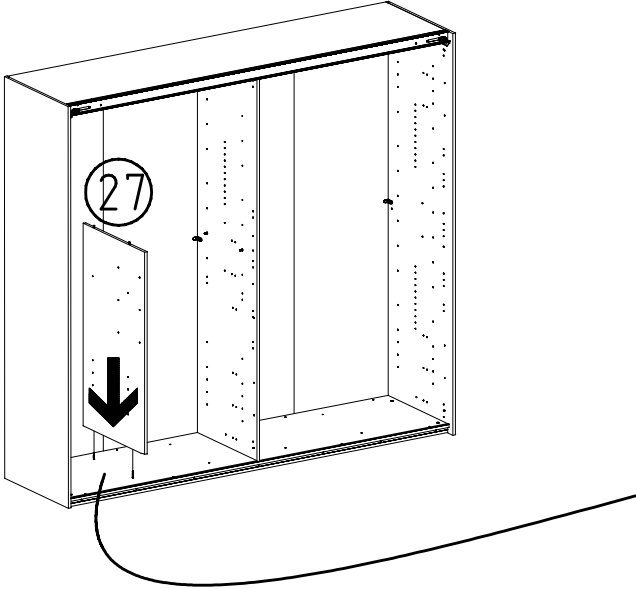


21

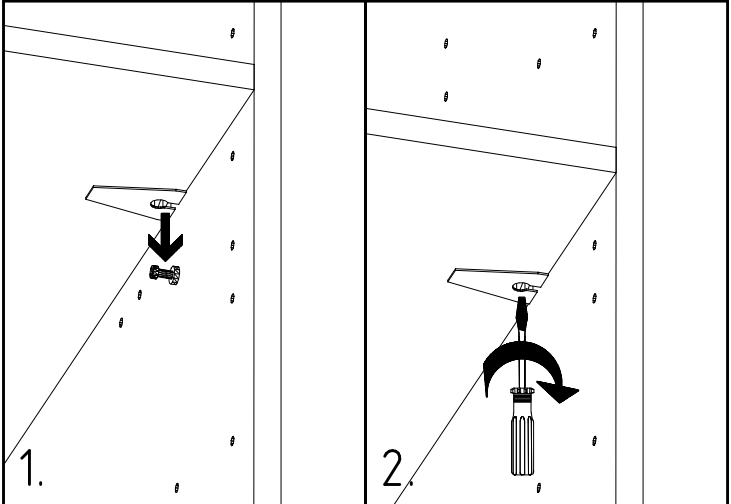
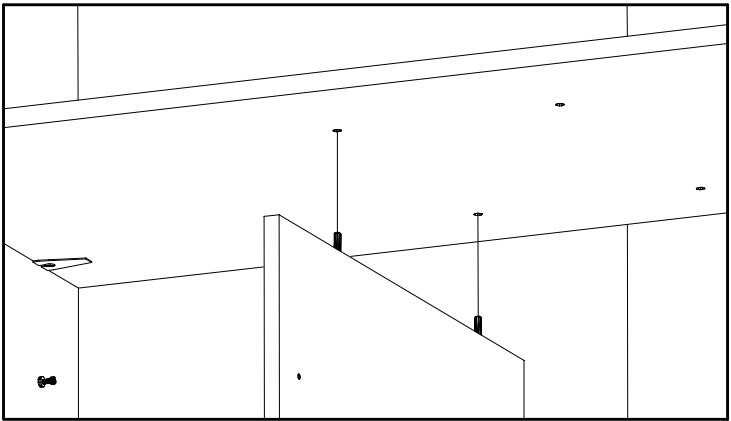
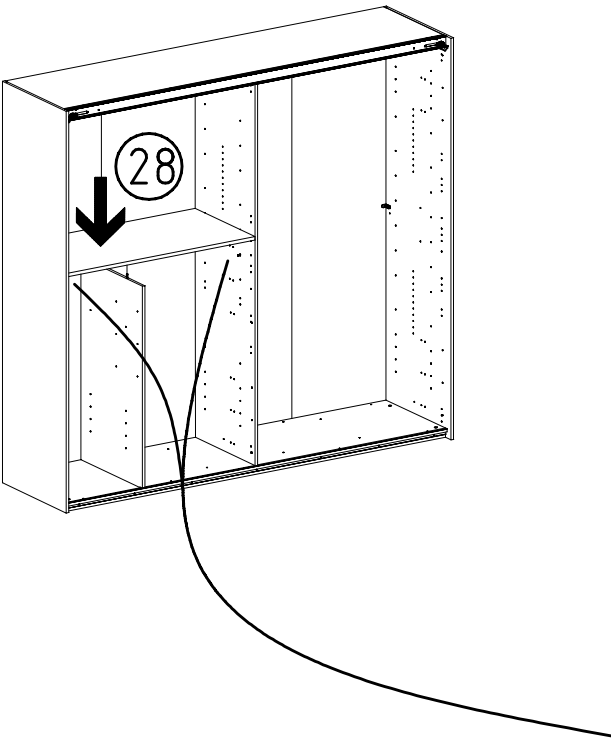
VB23
111 252



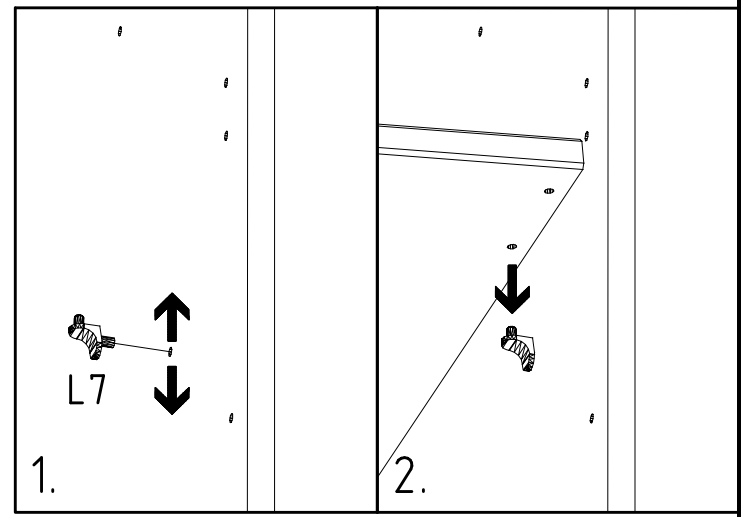
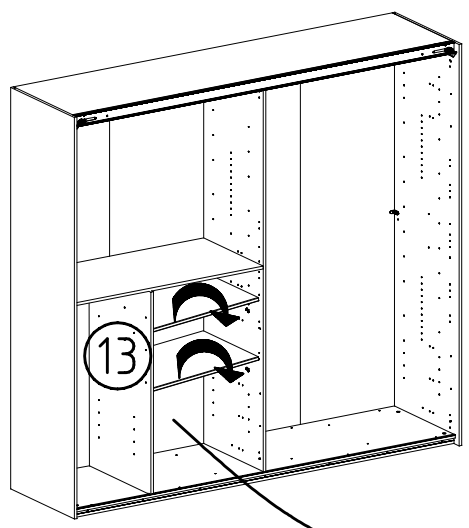
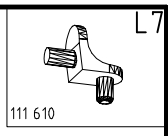
22



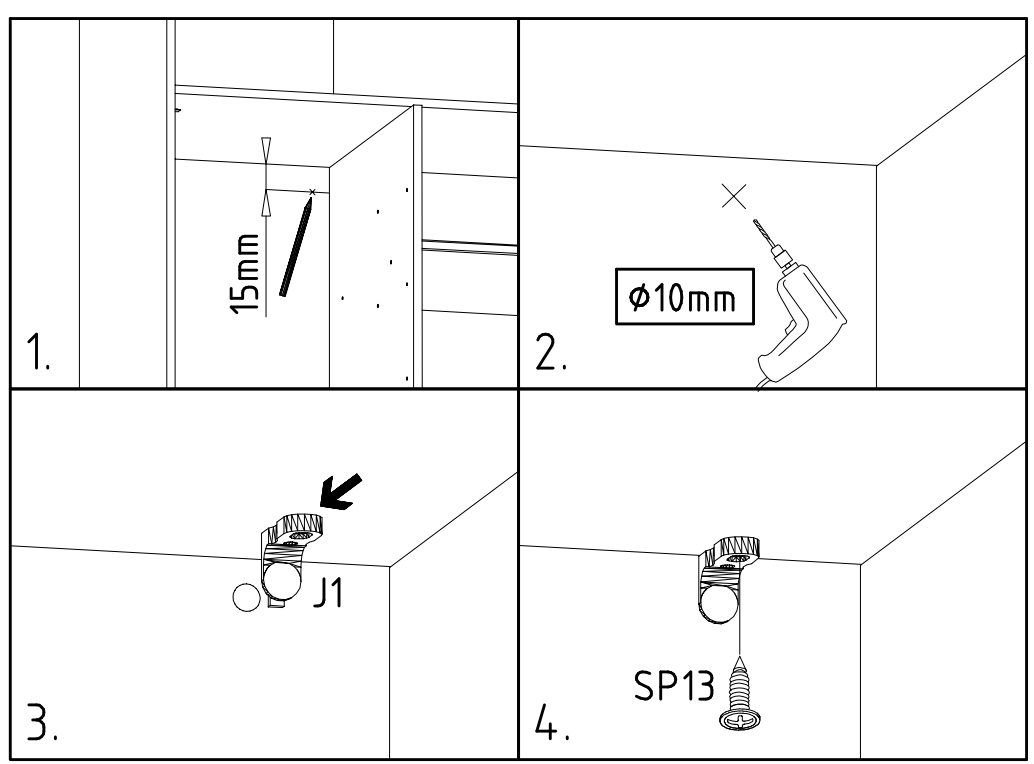
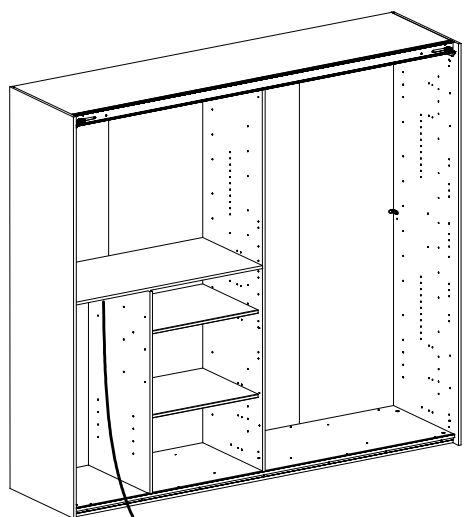
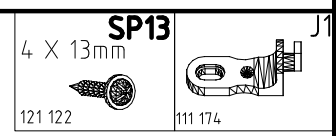
23



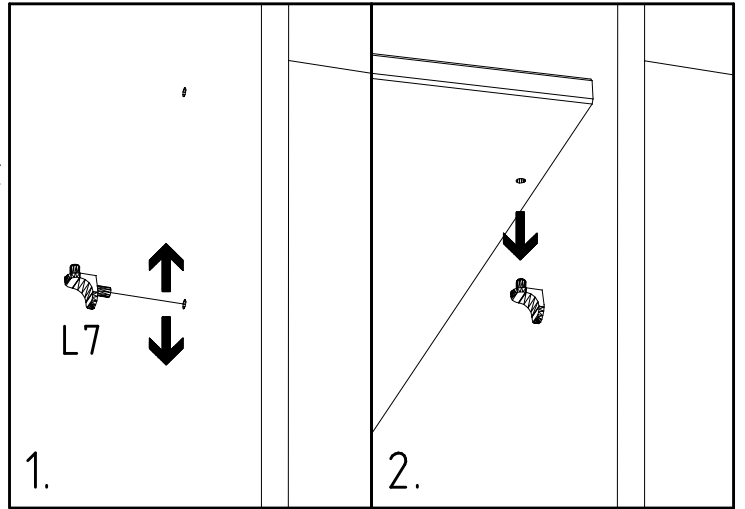
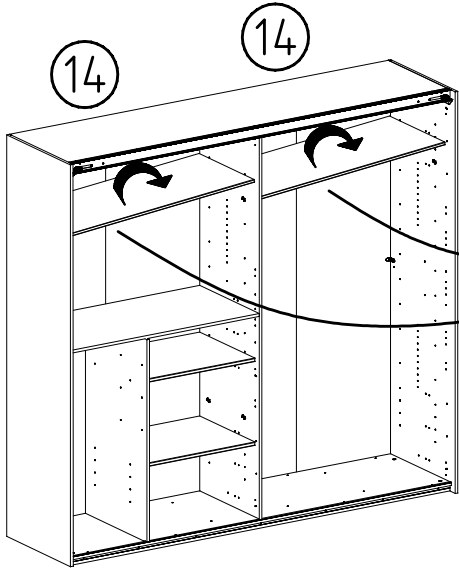
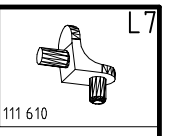
24



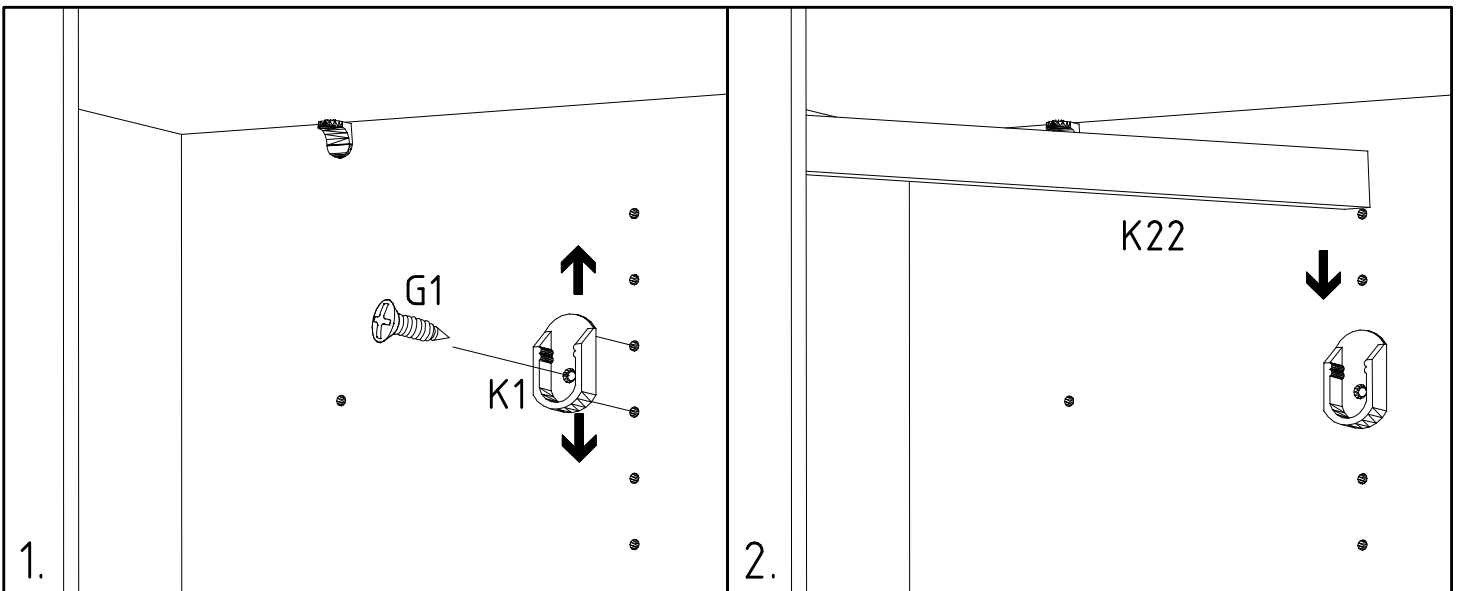
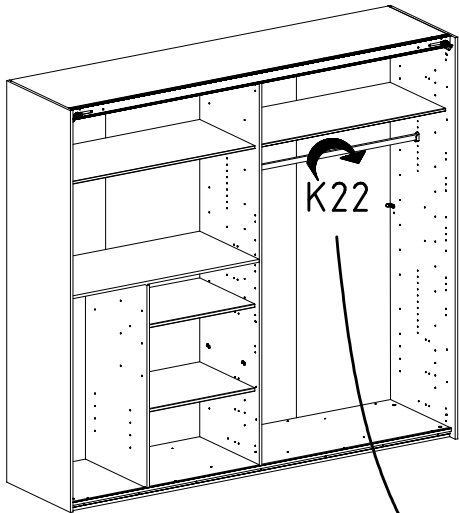
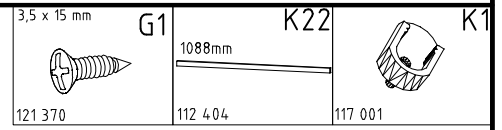
25

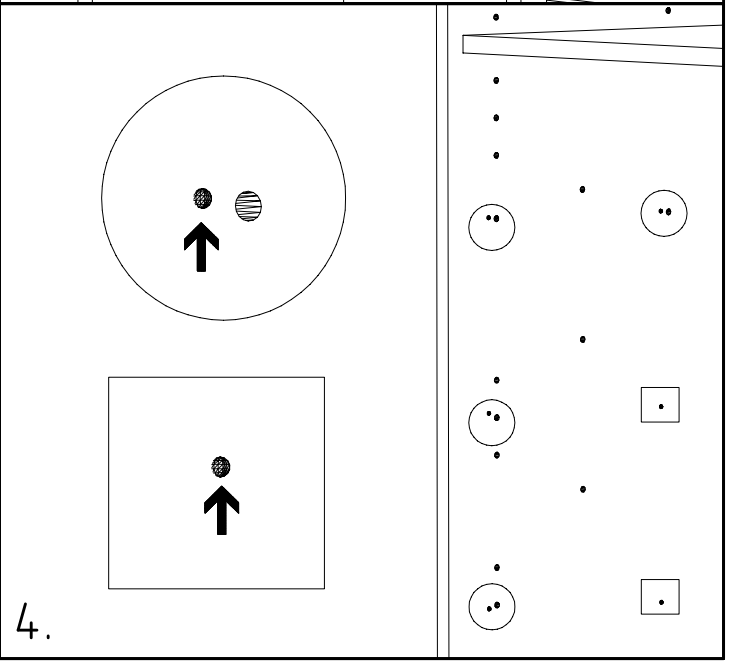
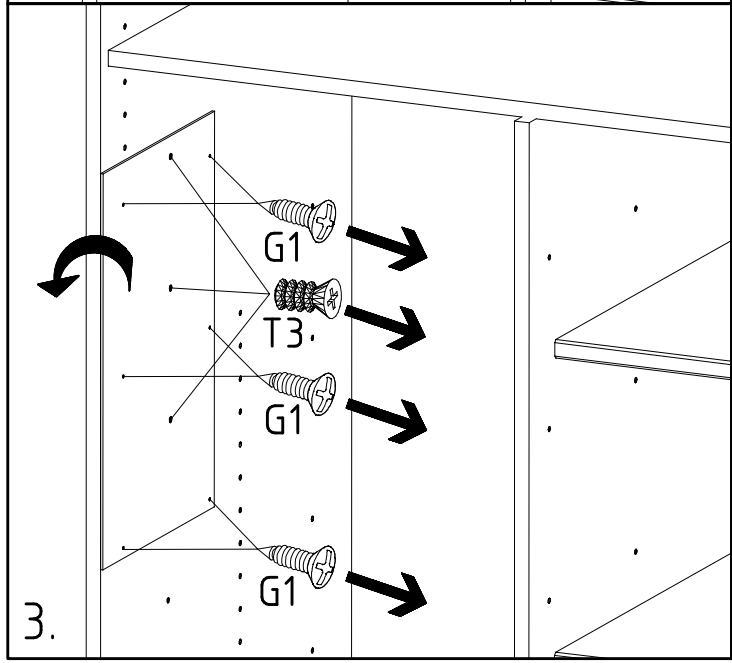
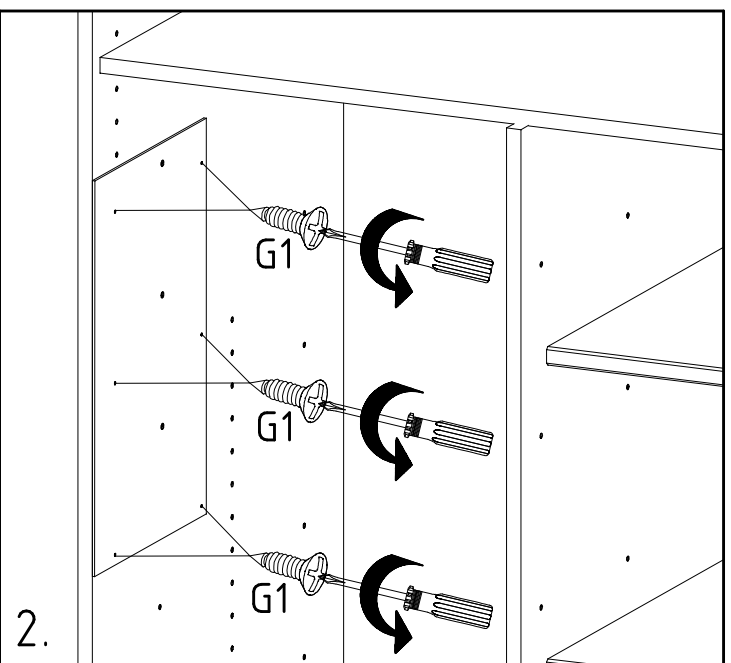
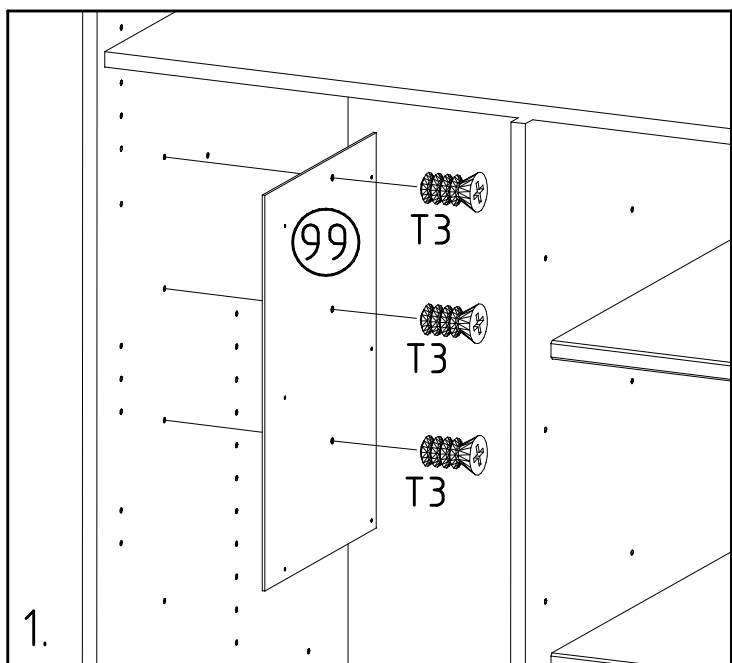
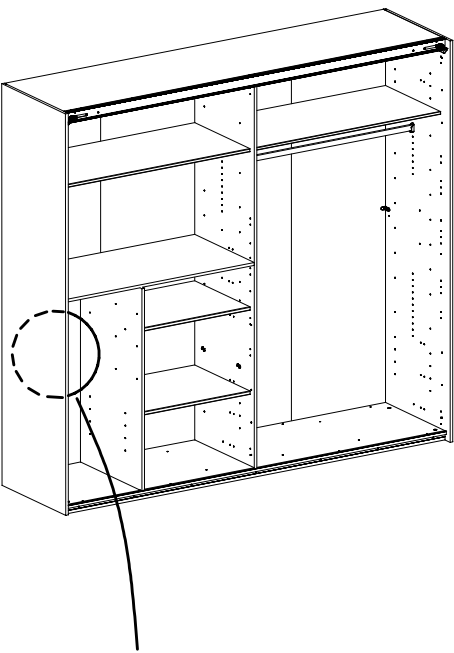


26



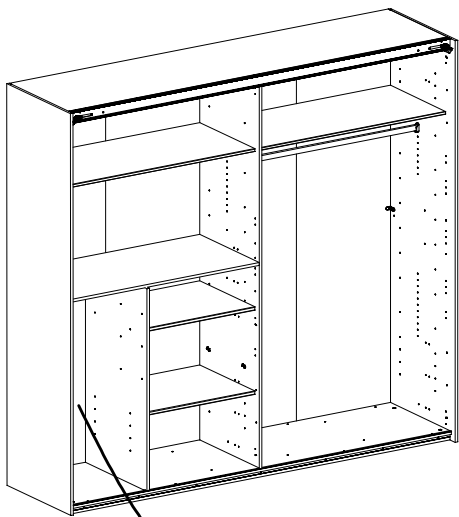
27





29

3,5 x 15 mm G1
121 370
Y20
112 198



1.

2.

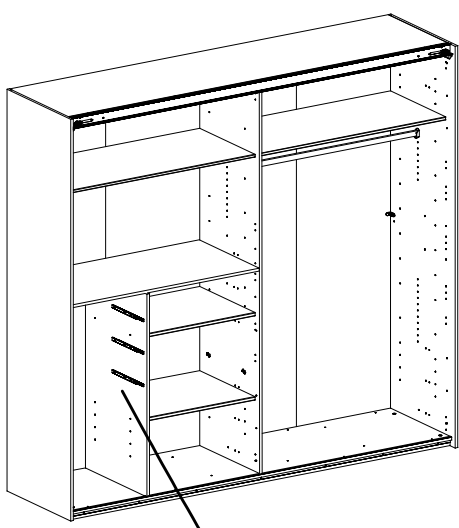
Y20

D

G1

30

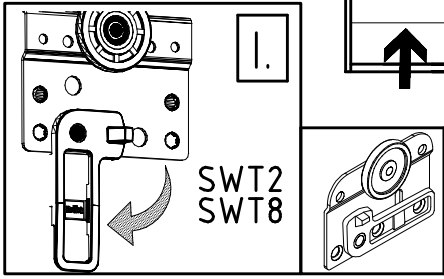
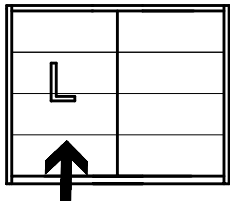
M6 x 10 T3
112 616
Y20
112 198



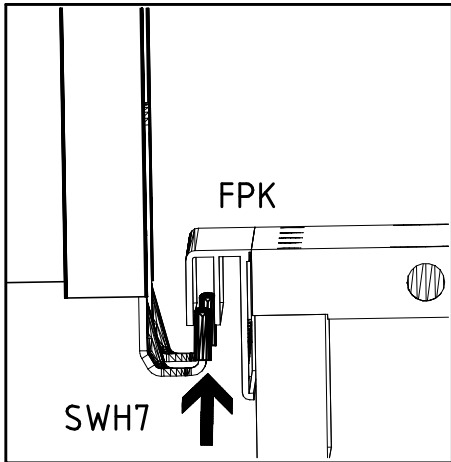
Y20

T3

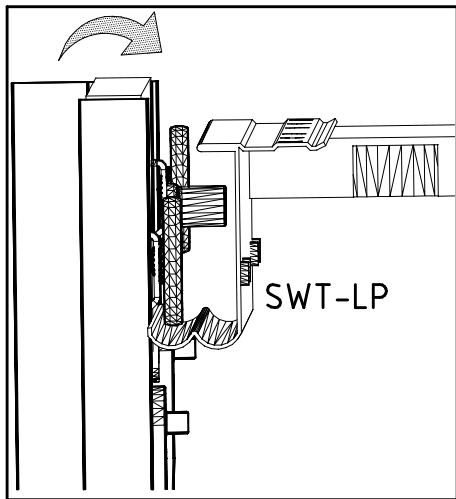
31



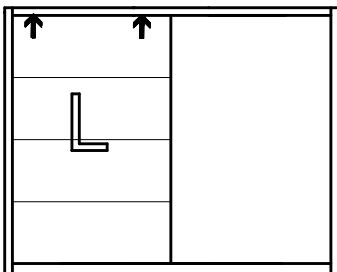
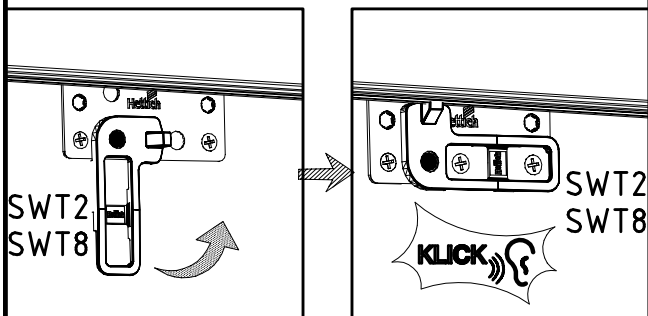
I.



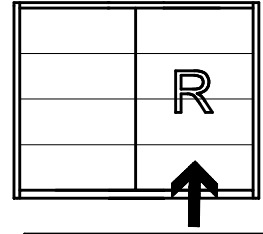
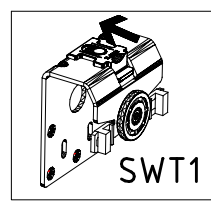
III.



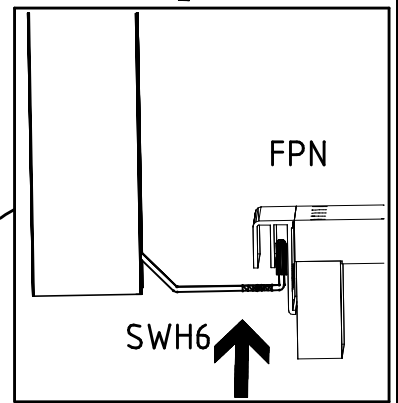
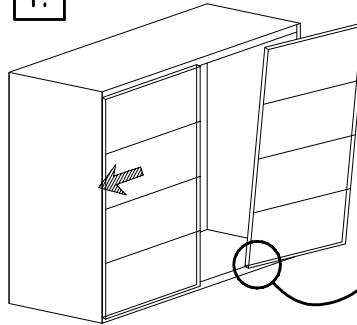
IV.



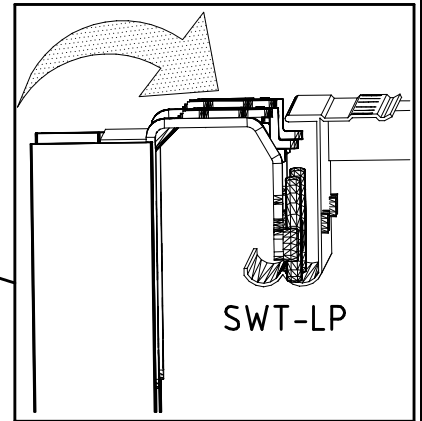
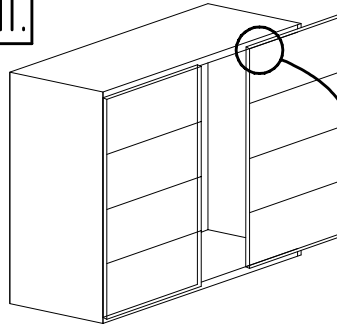
32



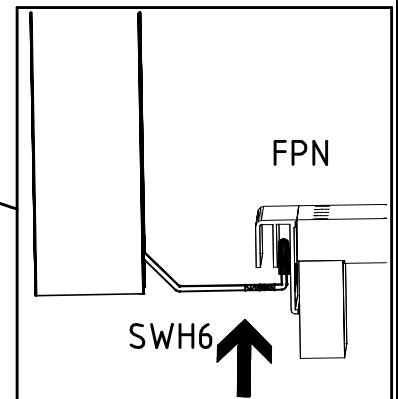
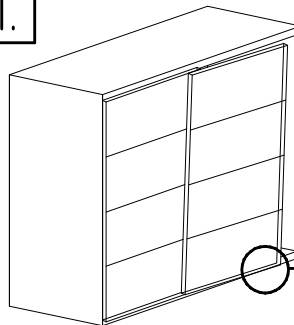
I.



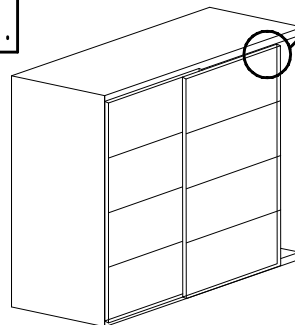
II.



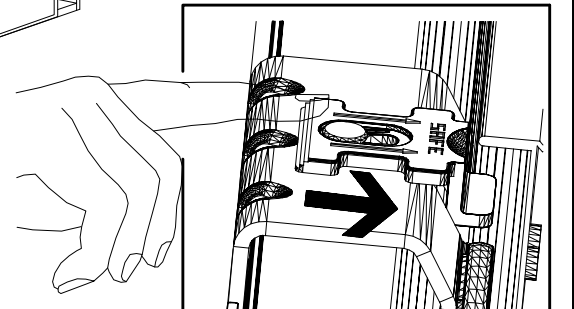
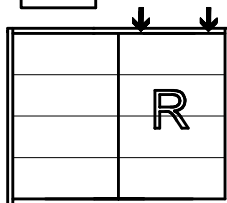
III.



IV.

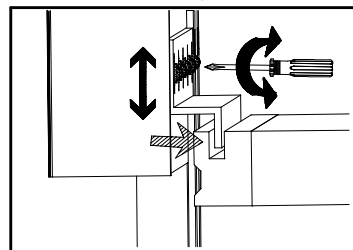
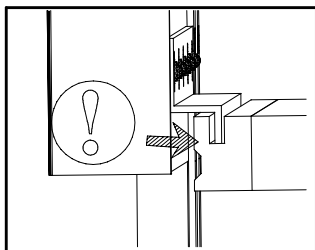
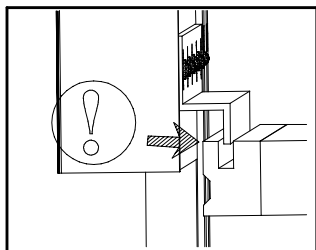
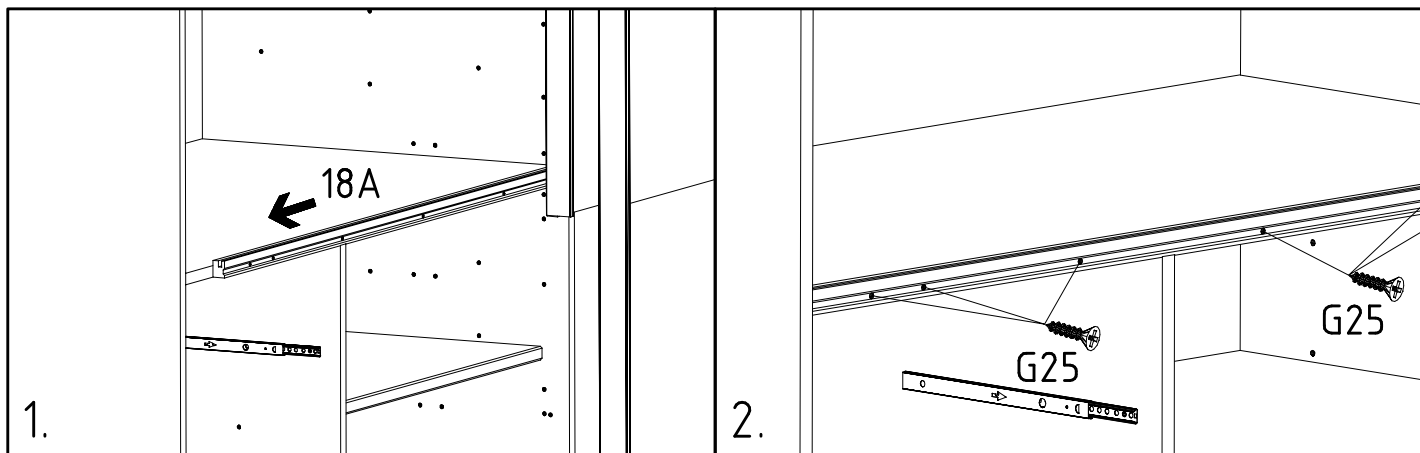
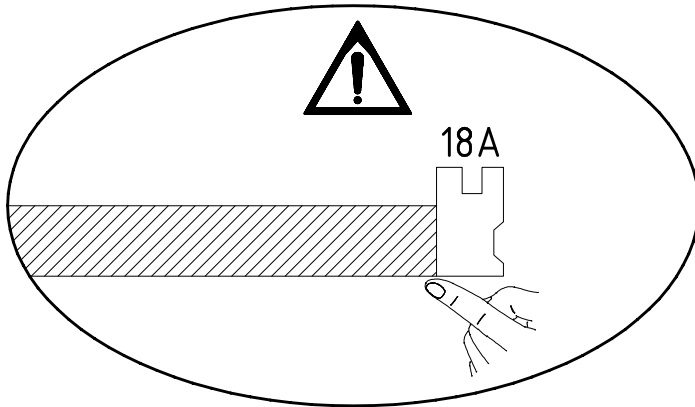
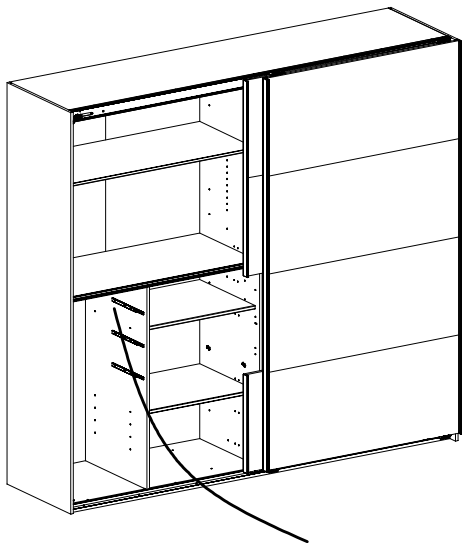


V.

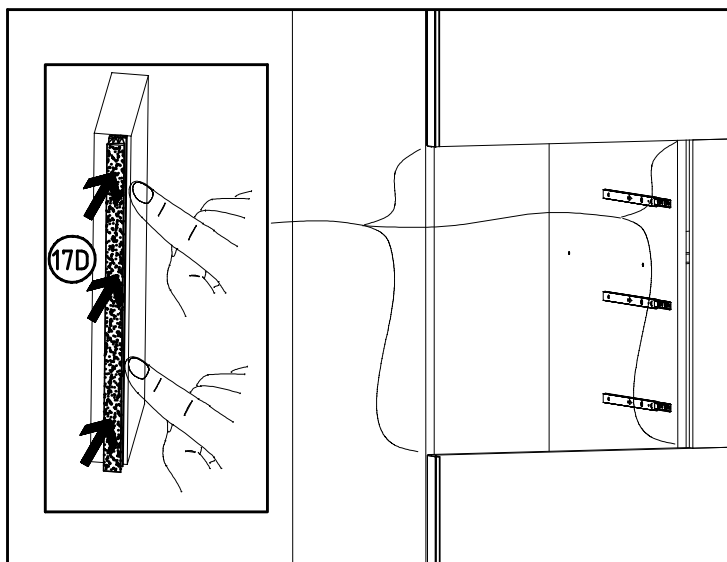
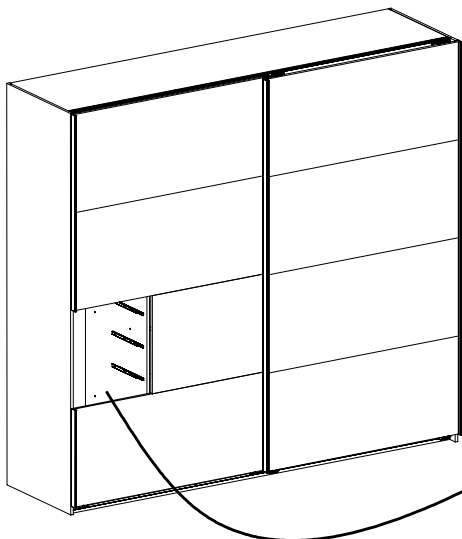


33

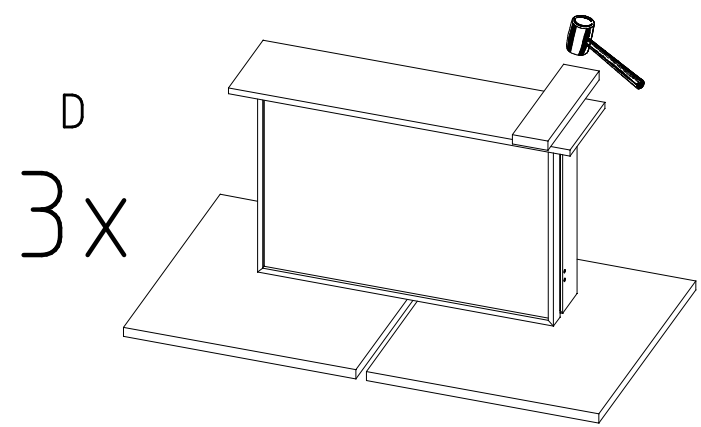
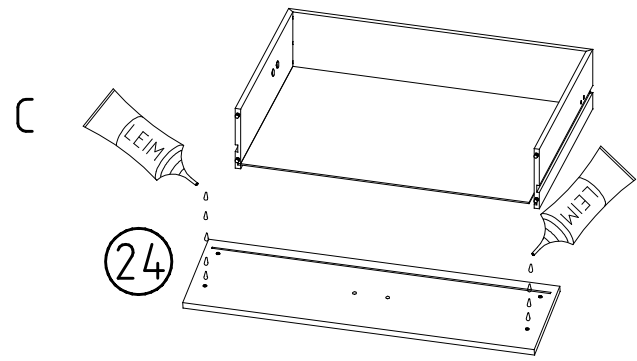
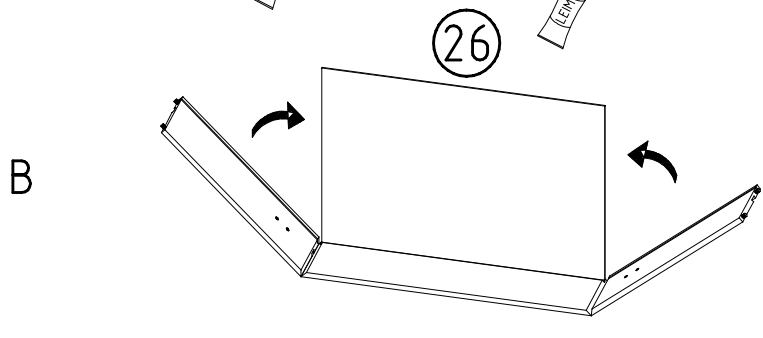
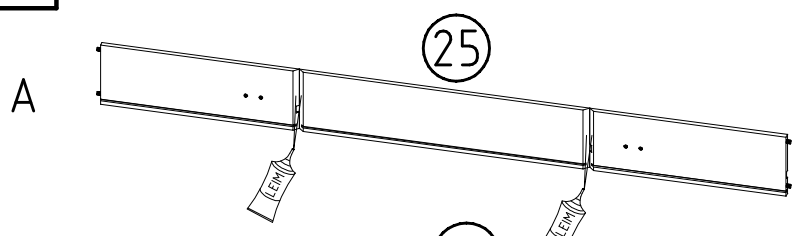
3.5 x 40 mm G25
121 374



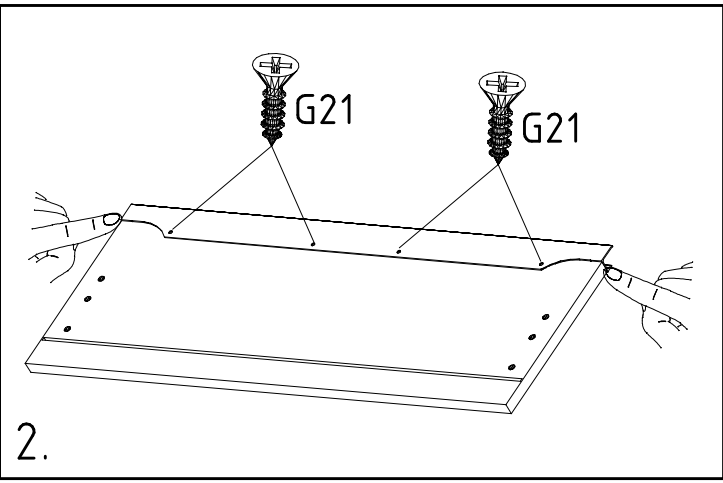
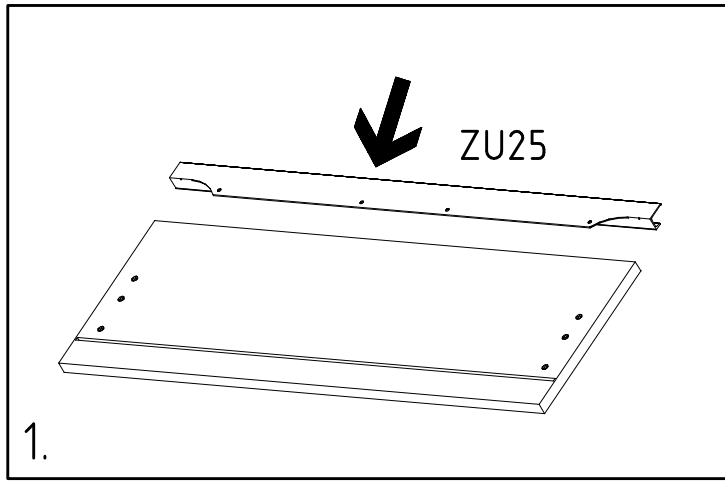
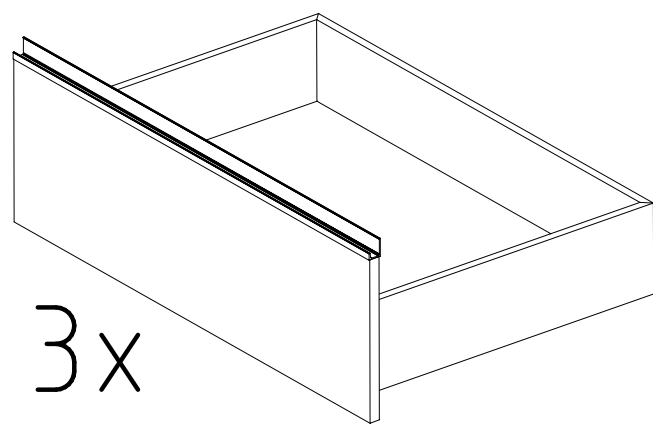
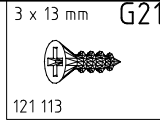
34



35

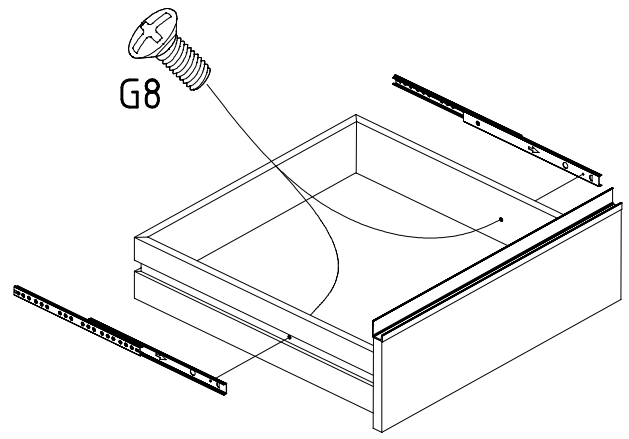
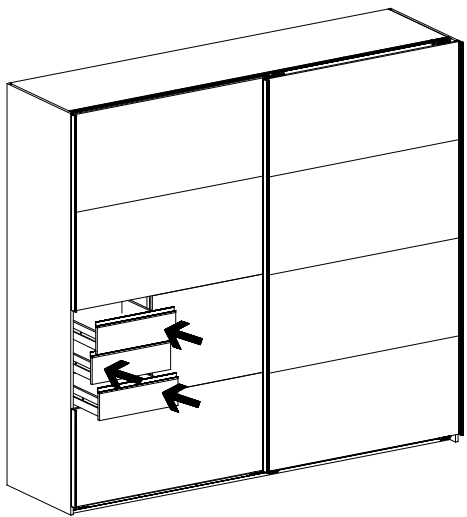


36



37

M4 x 9 mm
G8
111 015



38

 ø 8mm					SP15 4 X 15mm 121 120	 ø10 111 052
-----------	--	--	--	--	-----------------------------	--------------------

