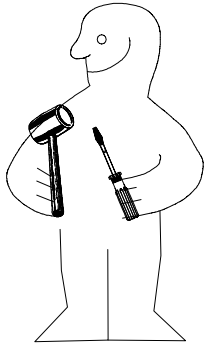
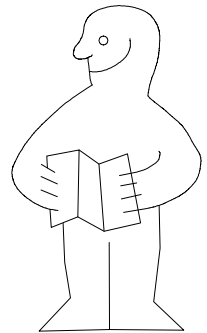
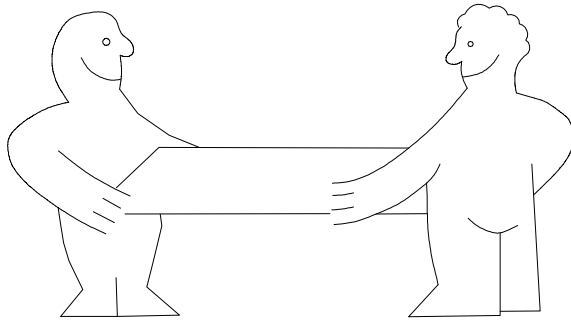
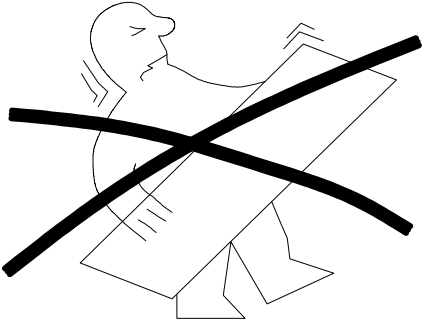
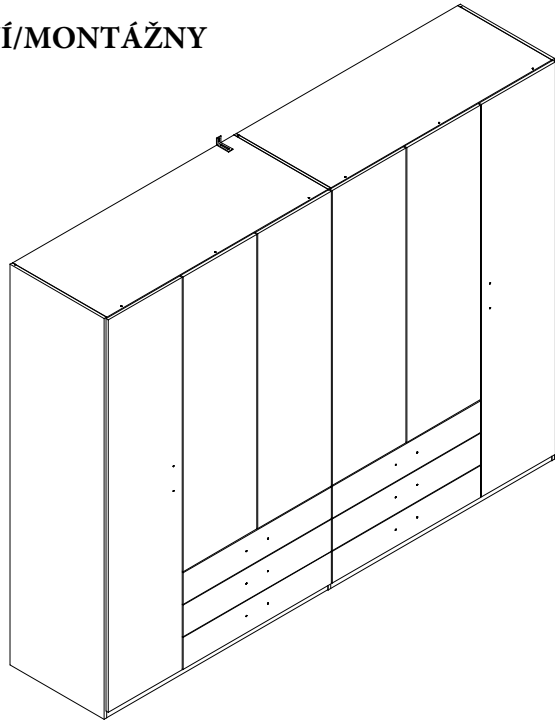


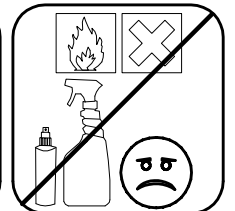
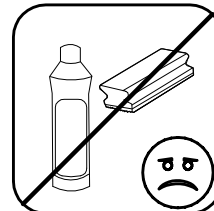
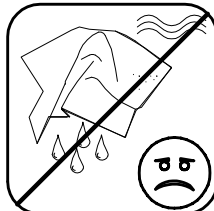
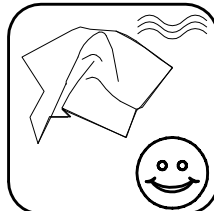
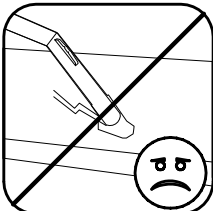
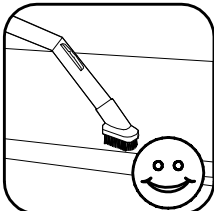
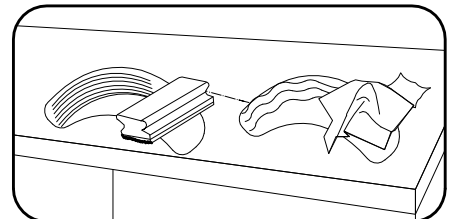
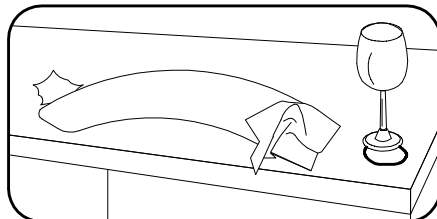
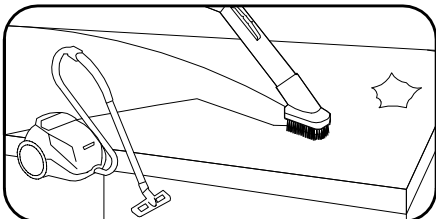
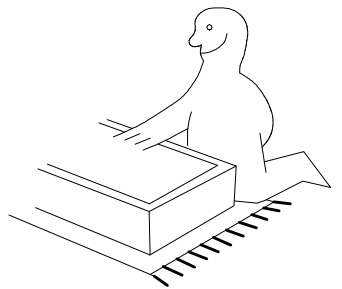
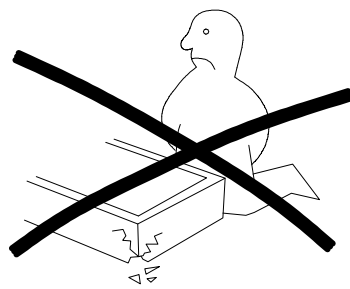
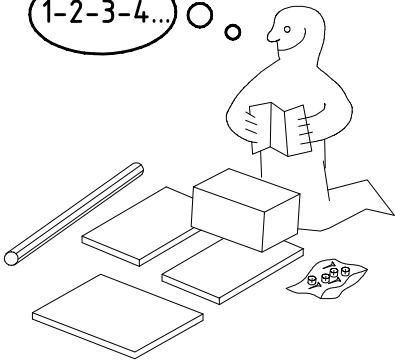
980584

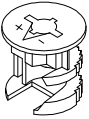
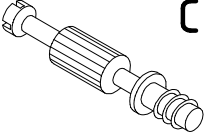
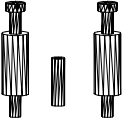
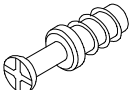
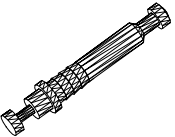
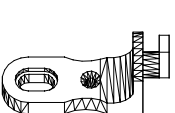
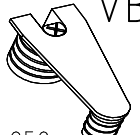
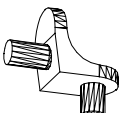


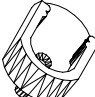

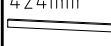
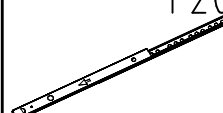
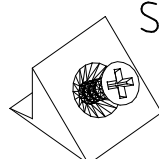
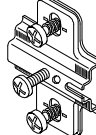
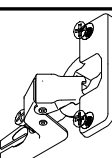
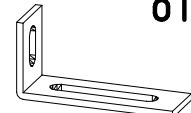
MONTÁŽNÍ/MONTÁŽNY  
NÁVOD


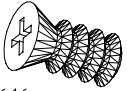
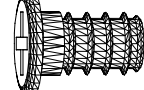
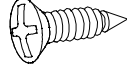
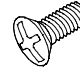




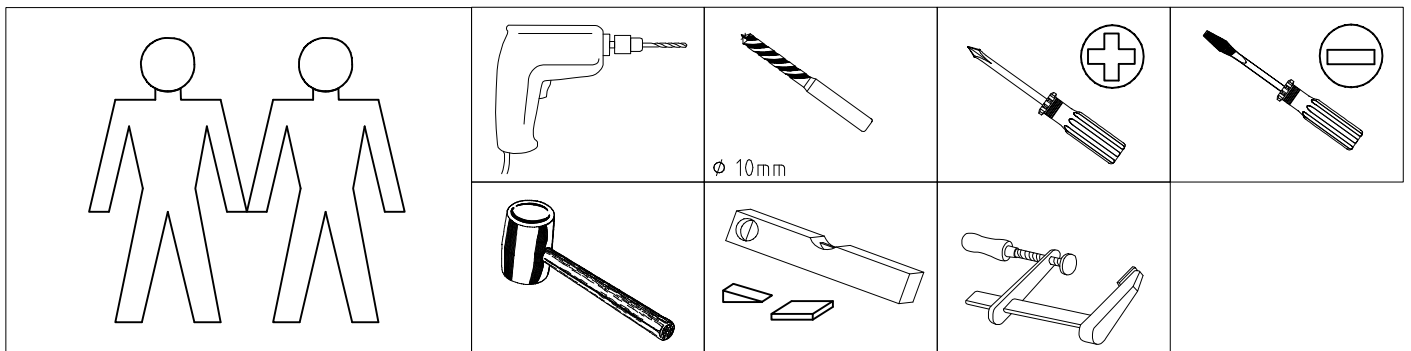
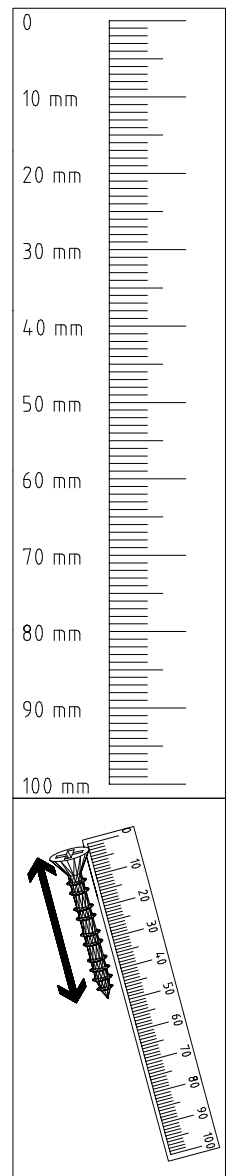
1-2-3-4...

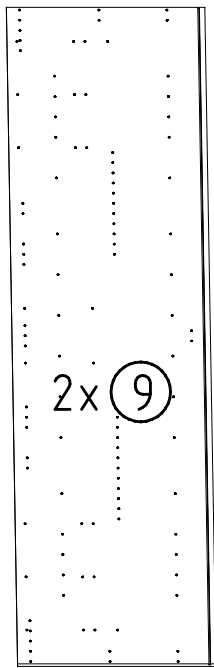


 111 102	<b>A</b> 24x
 111 103	<b>C</b> 16x
 F3	4x
 111 229	<b>F</b> 4x
 111 235	<b>E</b> 2x
 111 174	<b>J1</b> 10x
 111 252	<b>VB23</b> 8x
 111 610	<b>L7</b> 16x

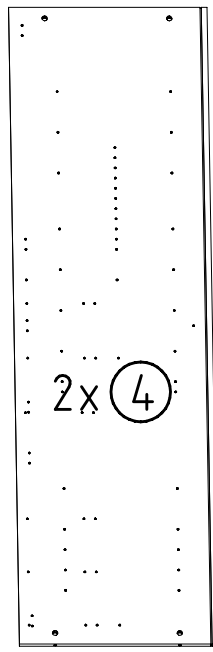
 117 001	<b>K1</b> 8x
 112 402	<b>K20</b> 870mm 2x
 112 403	<b>K21</b> 424mm 2x
 112 198	<b>Y20</b> 12x
 112 268	<b>SBV</b> 12x
 112 267	<b>M</b> 18x
 112 267	<b>N</b> 18x
 111 052	<b>o10</b> 1x

 121 120	<b>SP15</b> 4 X 15mm 3x
 112 616	<b>T3</b> M6 x 10 24x
 121 181	<b>T6</b> M6 x 11 mm 8x
 121 370	<b>G1</b> 3,5 x 15 mm 16x
 111 015	<b>G8</b> M4 x 9 mm 12x
 121 375	<b>G14</b> 3,5 x 35 mm 12x
 163 007	<b>Z</b> 4x

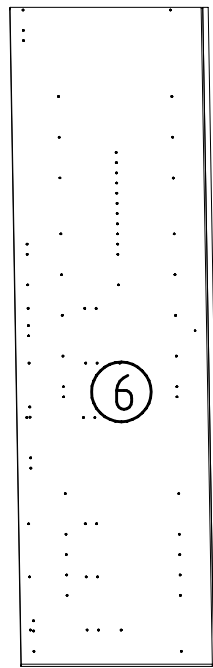




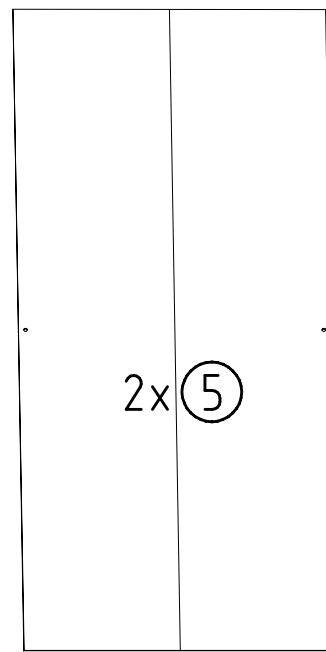
2064x560x15



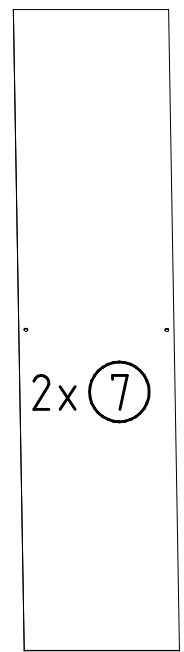
2001x560x15



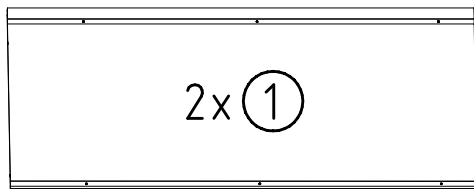
2064x560x15



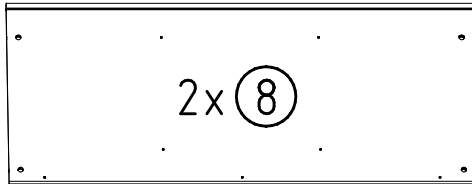
2015x882x2,5



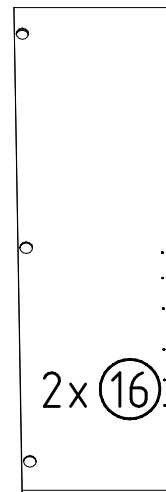
2015x438x2,5



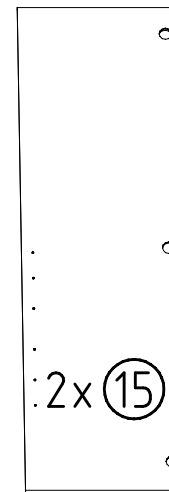
1317x560x15



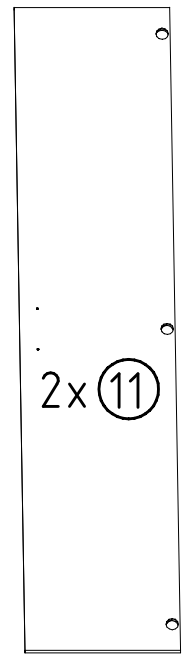
1317x560x15



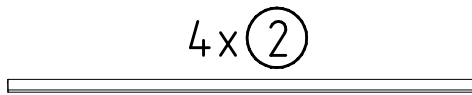
1518x439x15



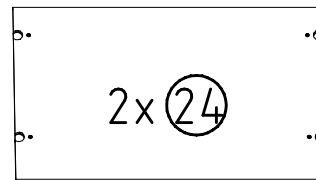
1518x439x15



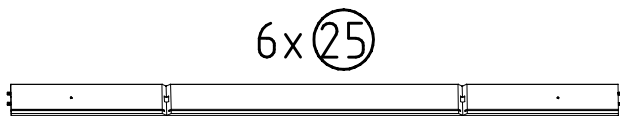
2021x439x15



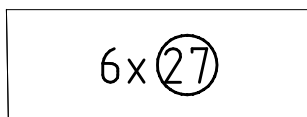
1316x32x15



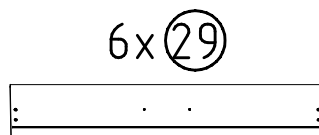
873x540x18



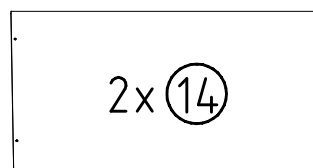
439x866x439x92



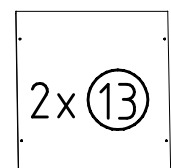
852x439x2,5



883x164x15



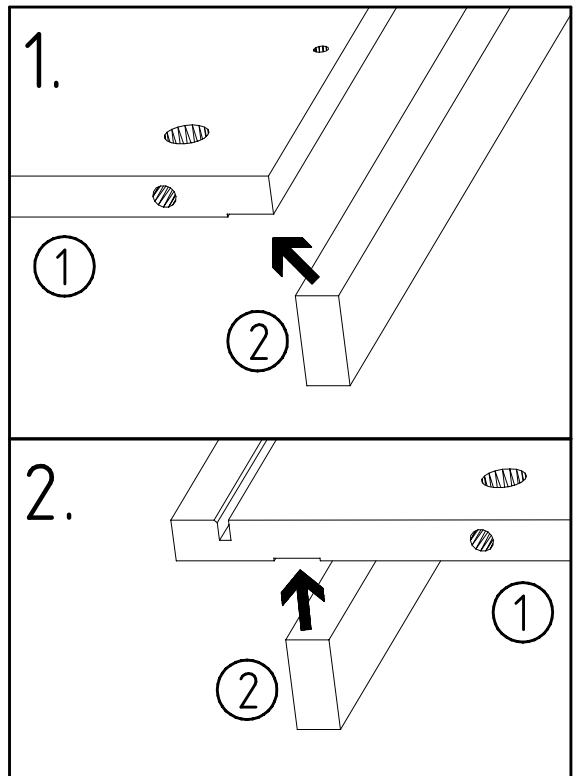
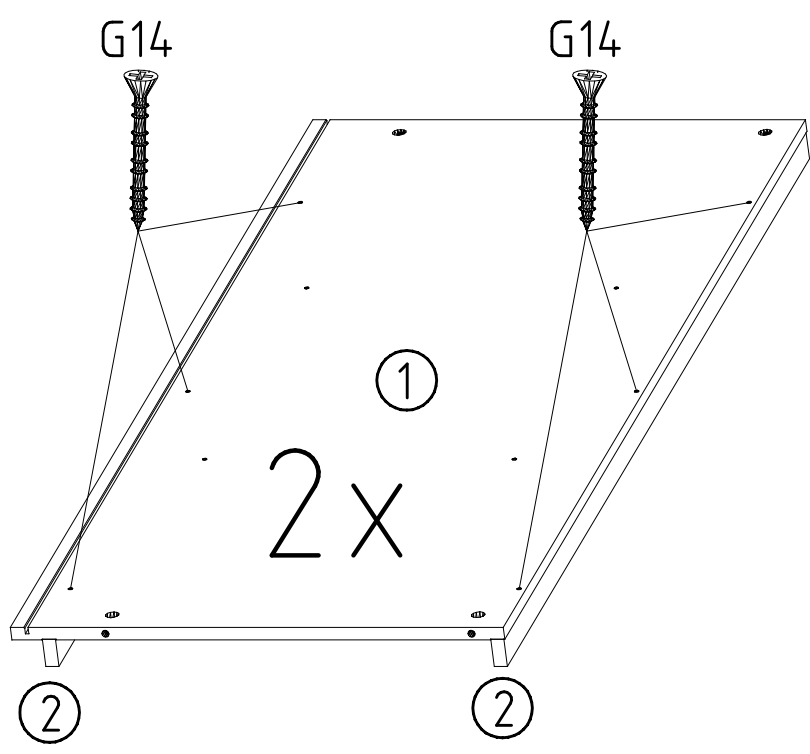
873x500x18



429x500x18

1

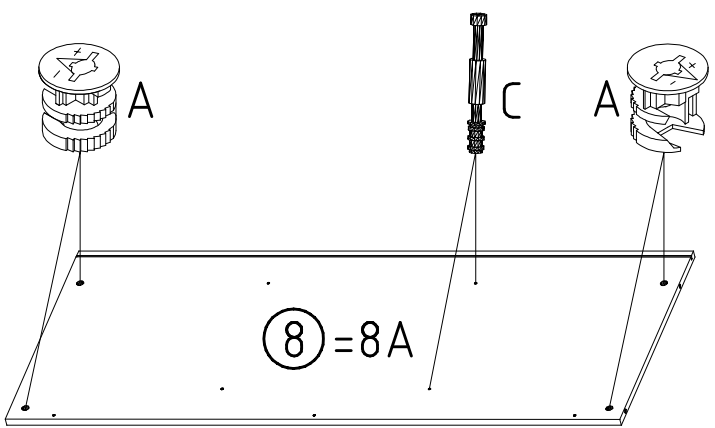
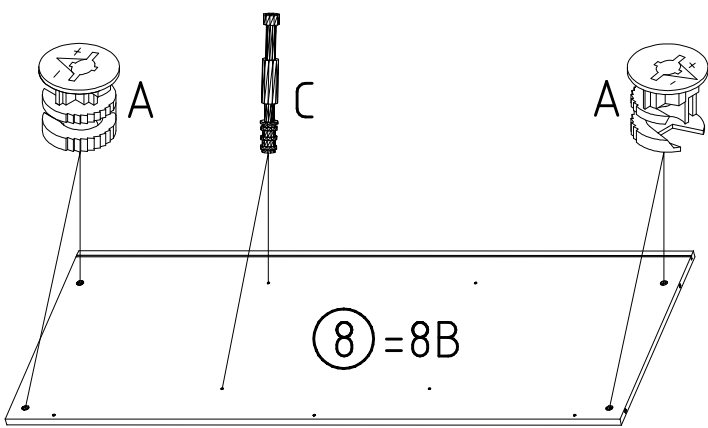
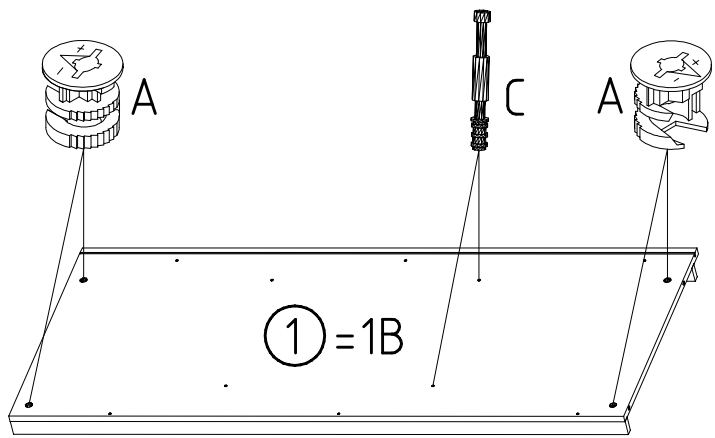
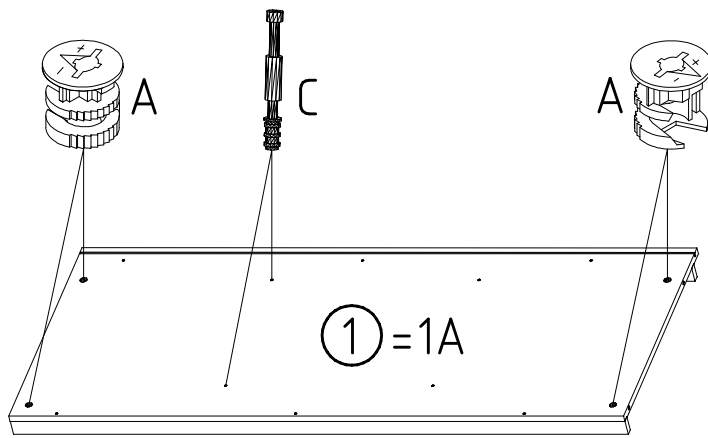
3,5 x 35 mm G14  
121 375



2

**C**  
111 103

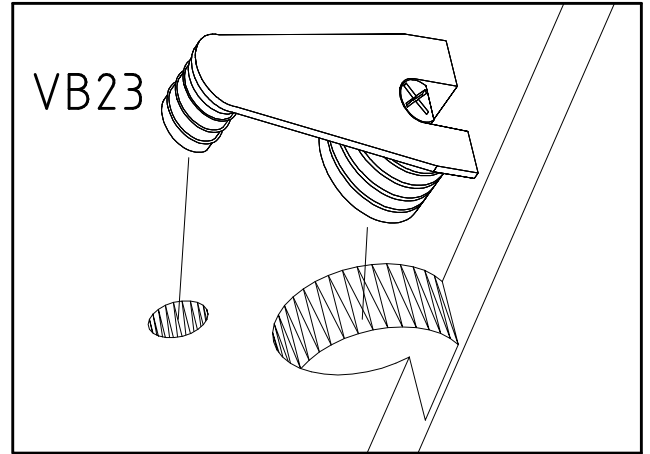
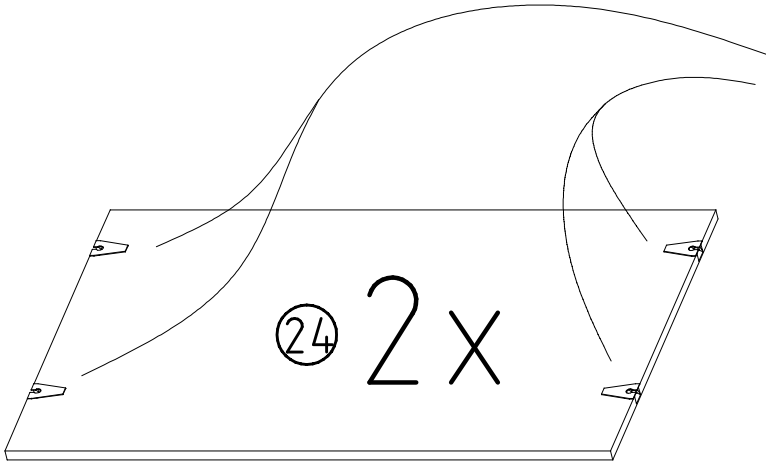
**A**  
111 102



3

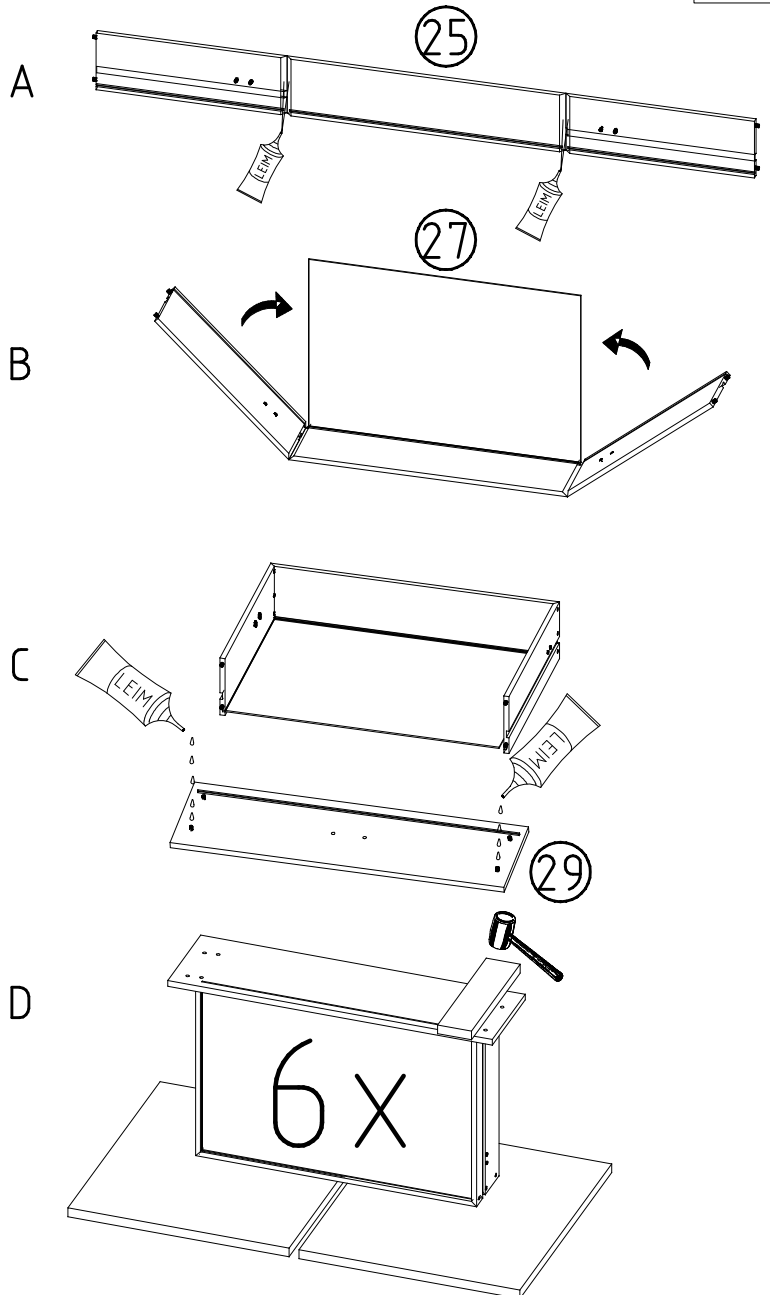
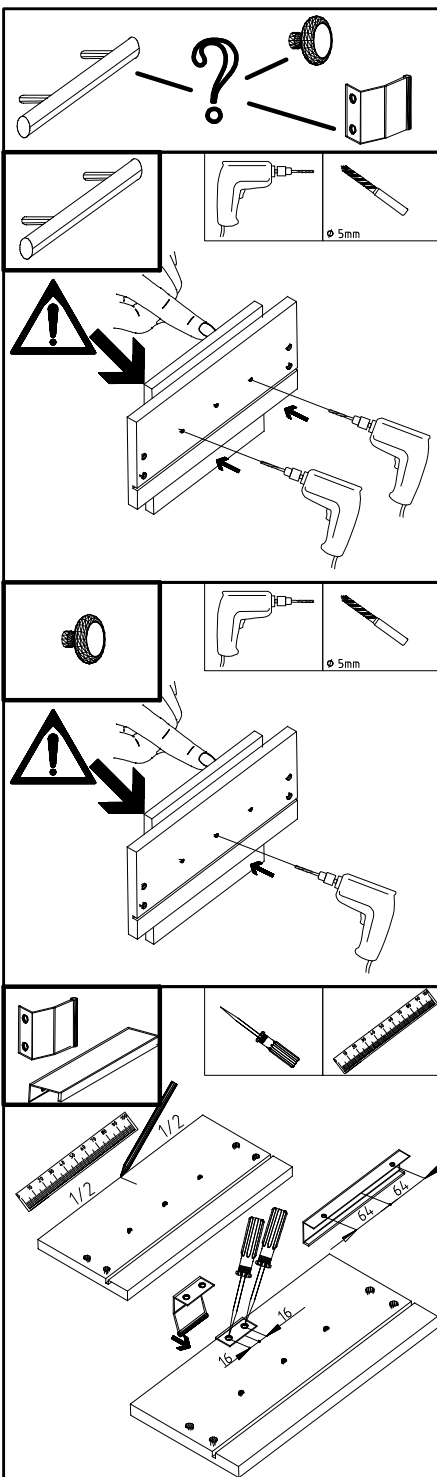
VB23

111 252

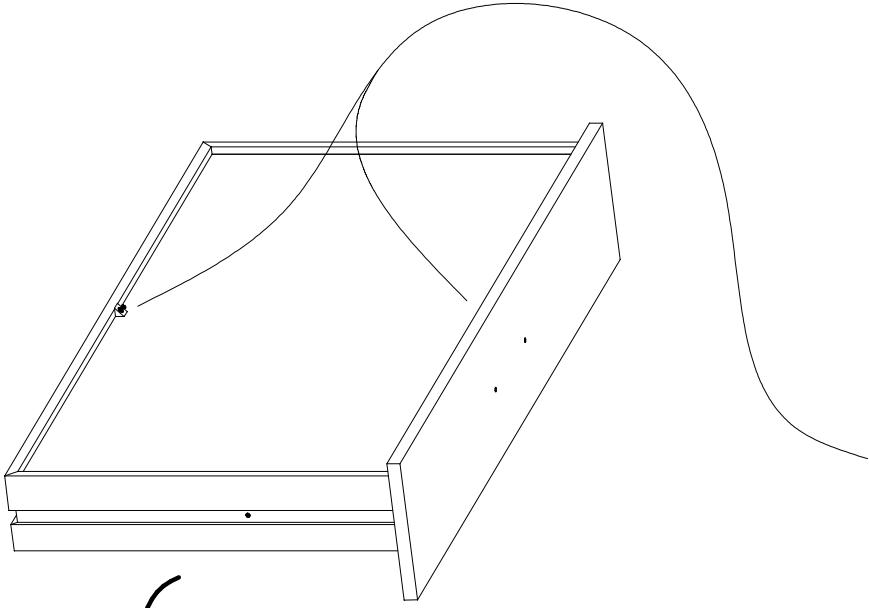
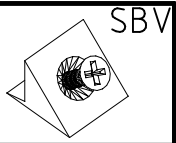


4

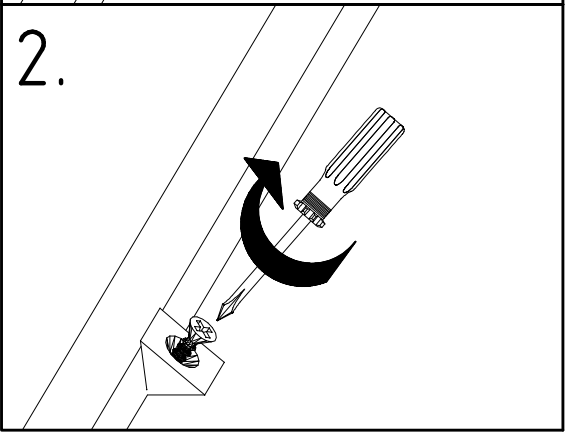
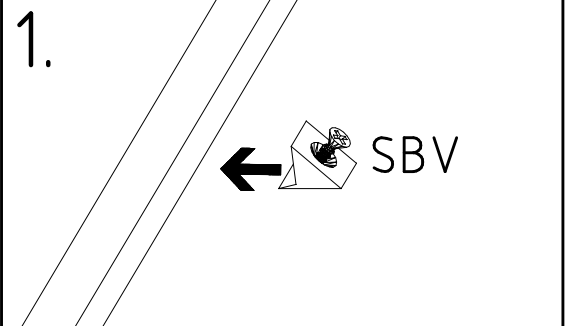
LEIM LEIM LEIM  
163 007



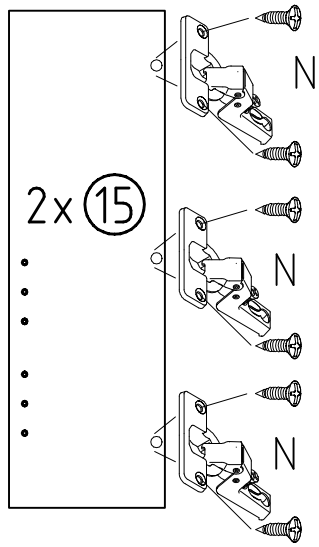
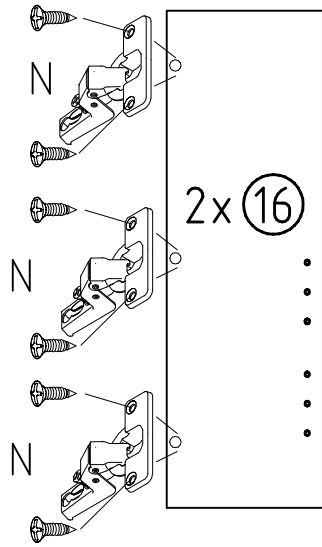
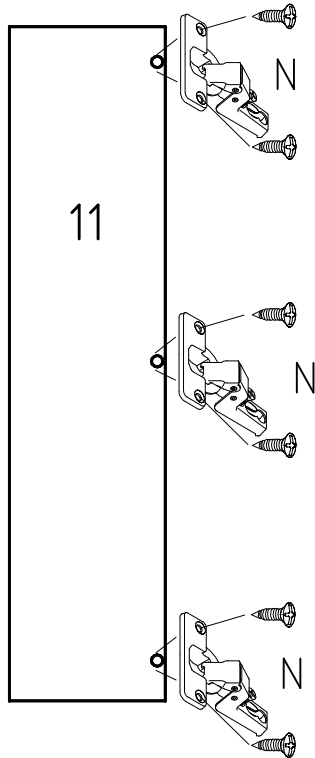
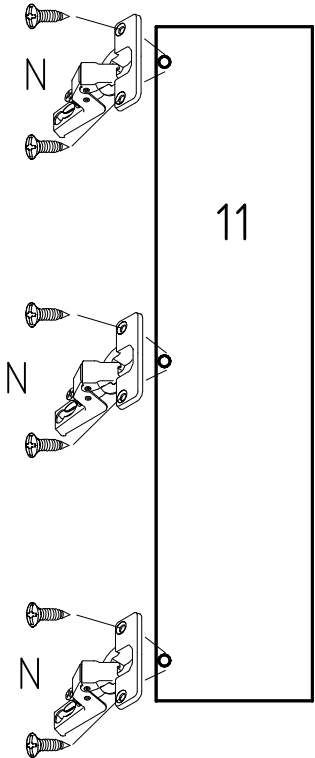
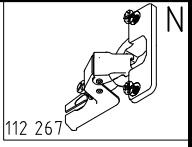
5

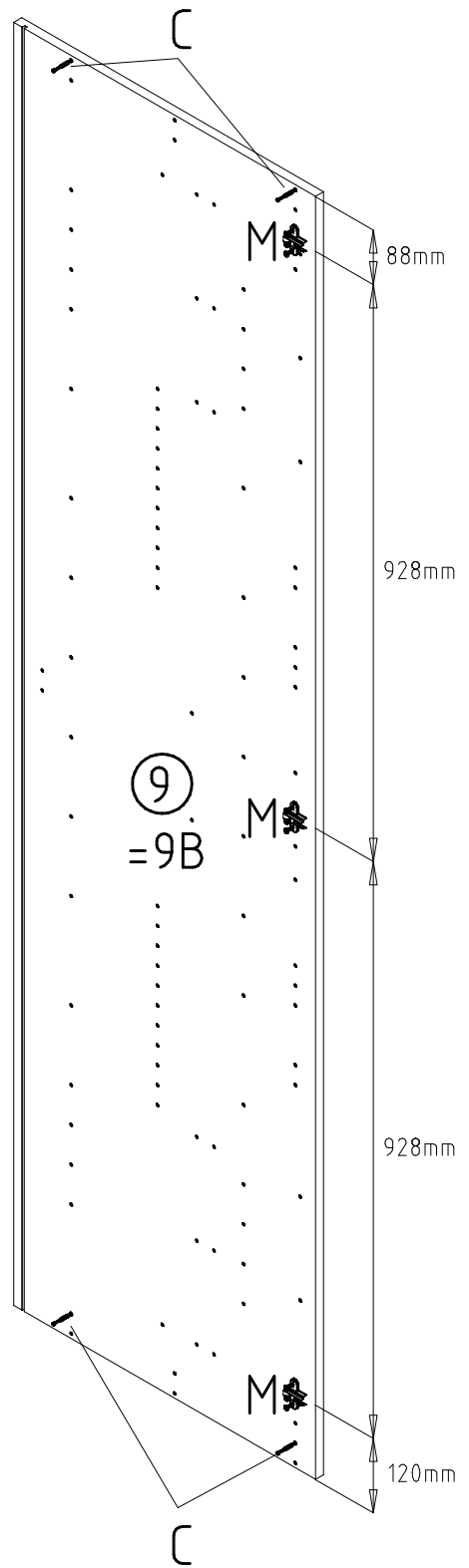
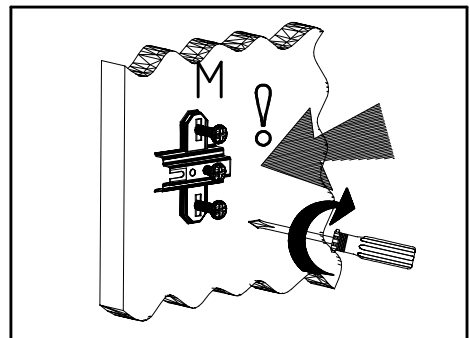
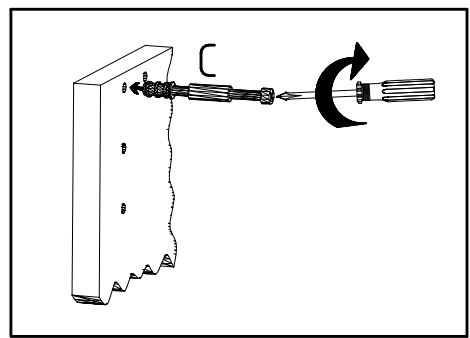
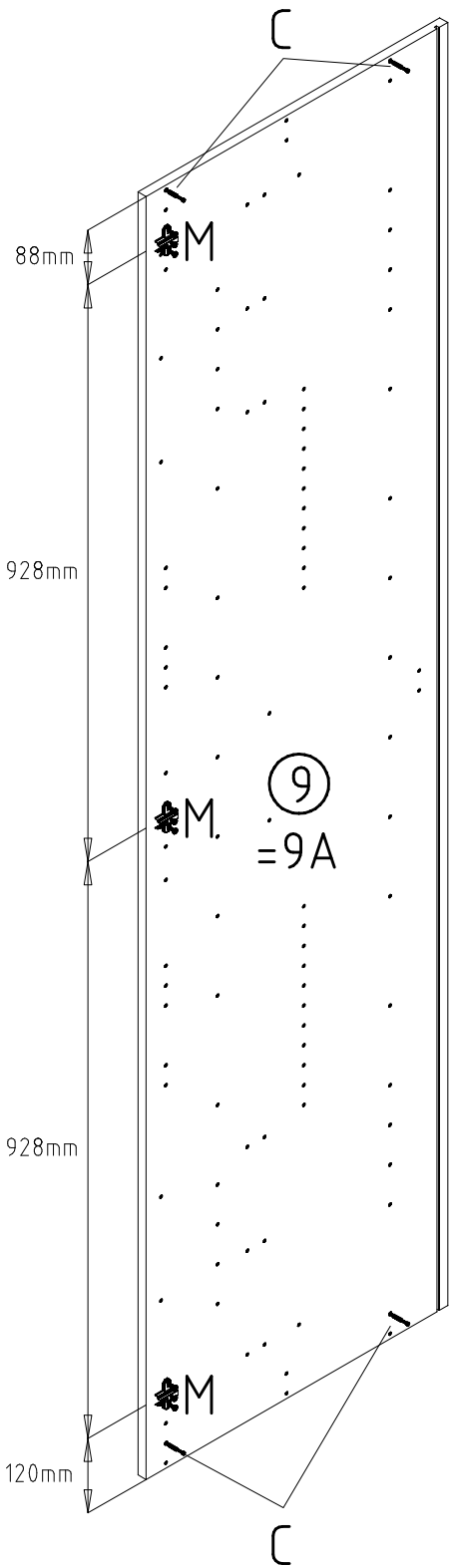
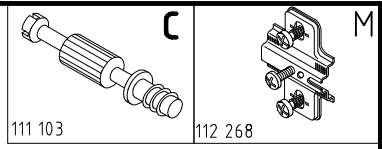


6x



6





M6 x 10

T3

Y20

E

F3

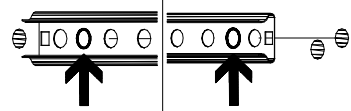
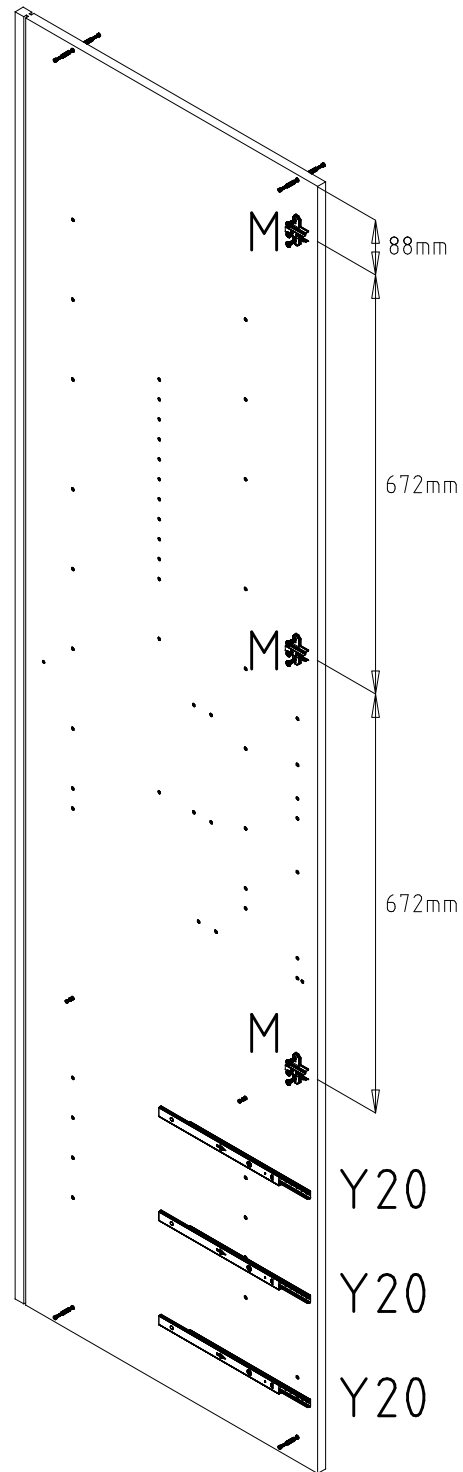
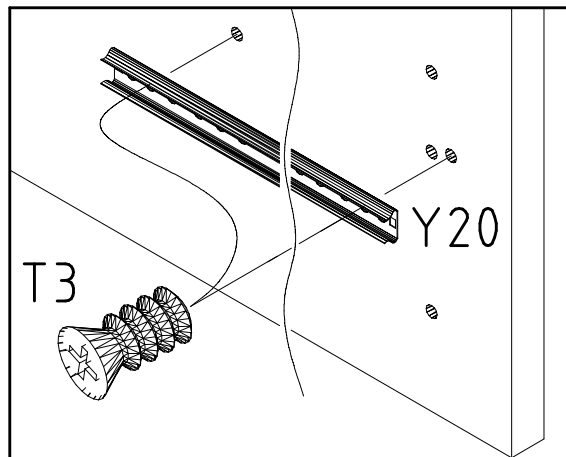
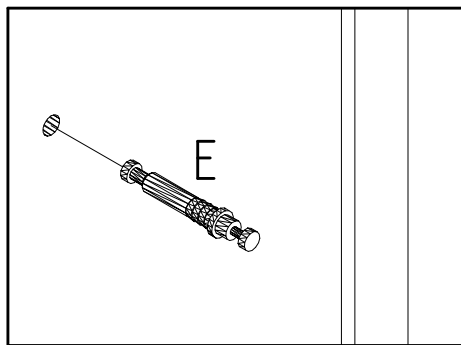
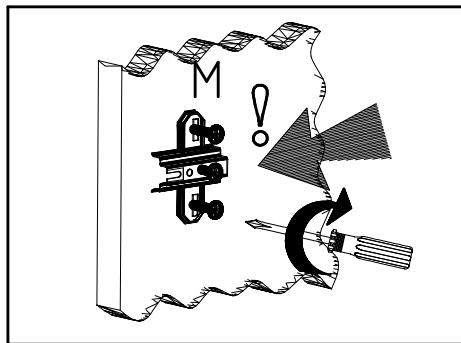
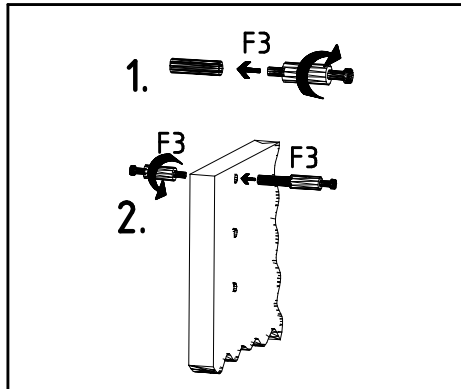
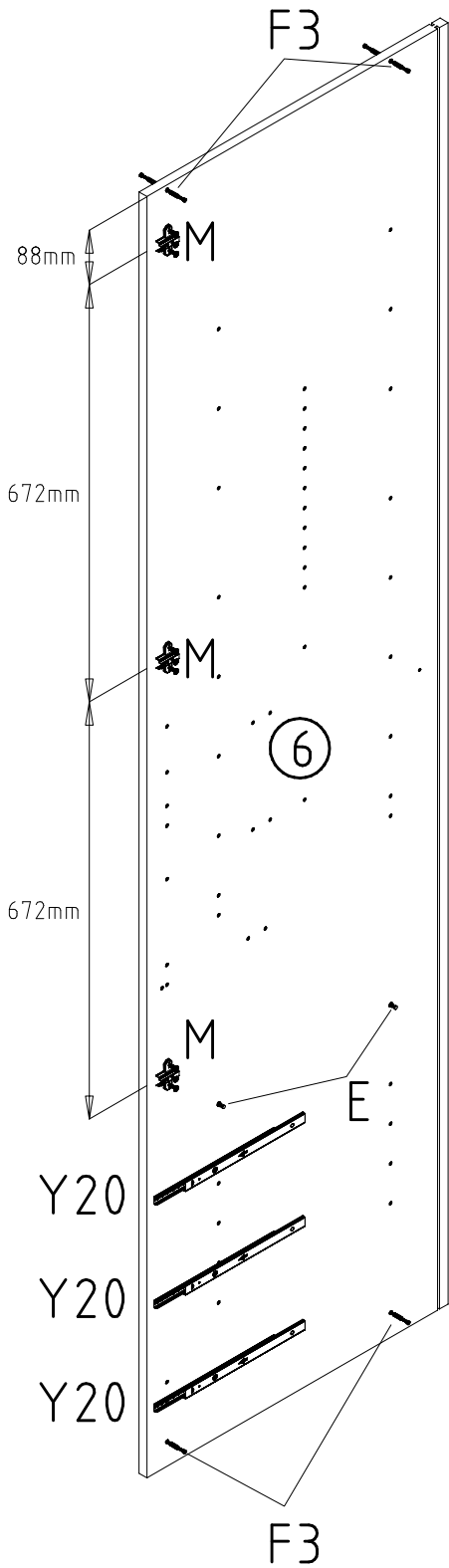
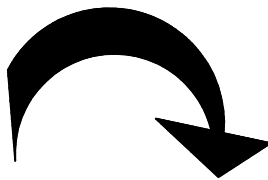
M

112 616

112 198

111 235

112 268





M6 x 10

T3

Y20

F

A

M

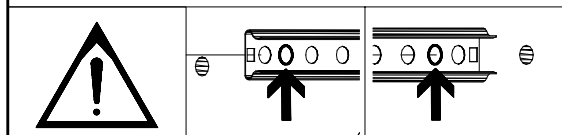
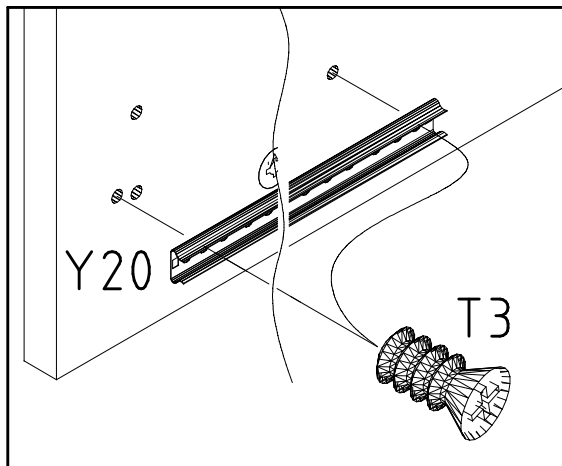
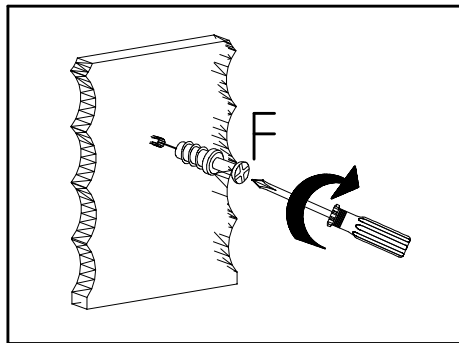
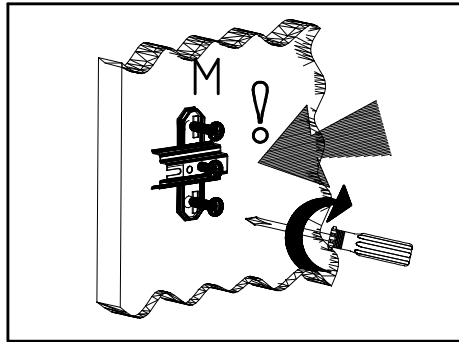
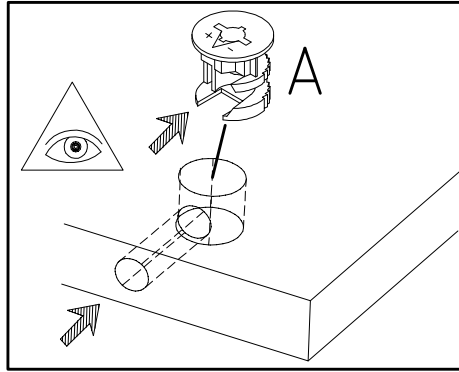
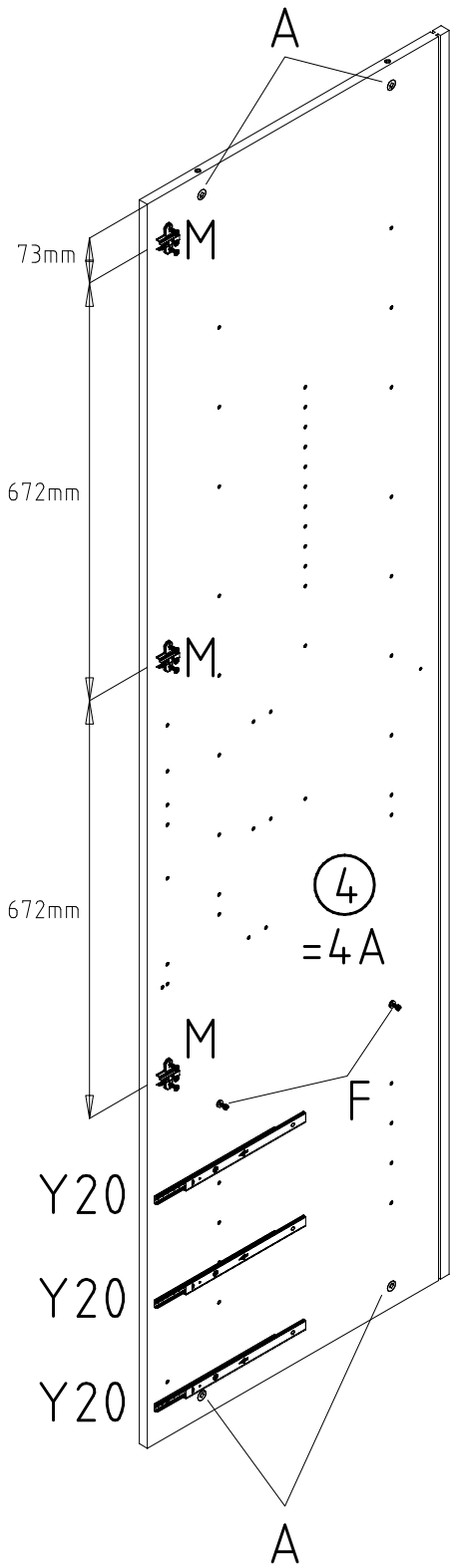
112 616

112 198

111 229

111 102

112 268



M6 x 10

T3

Y20

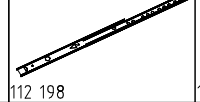
F

A

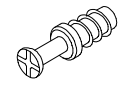
M



112 616



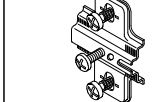
112 198



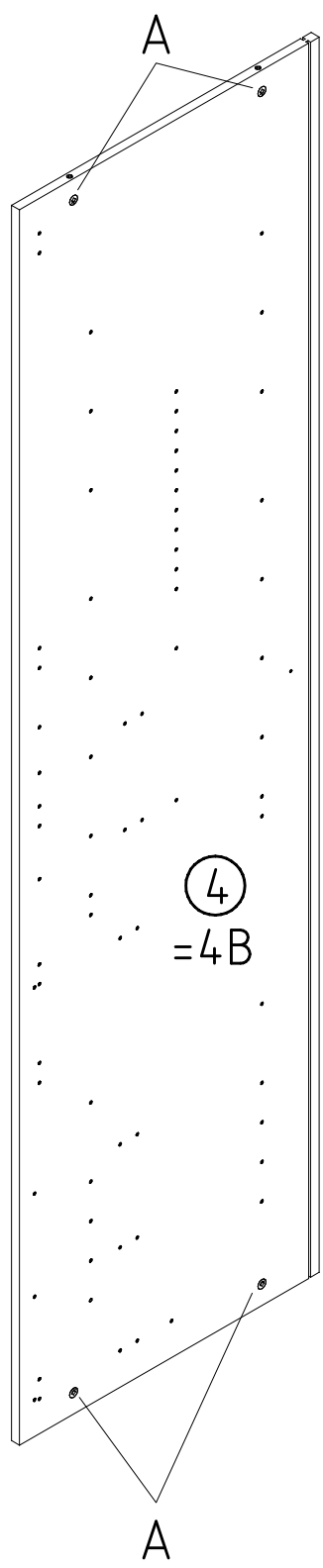
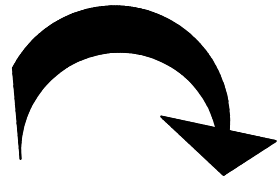
111 229



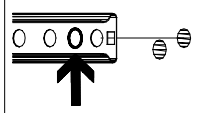
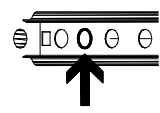
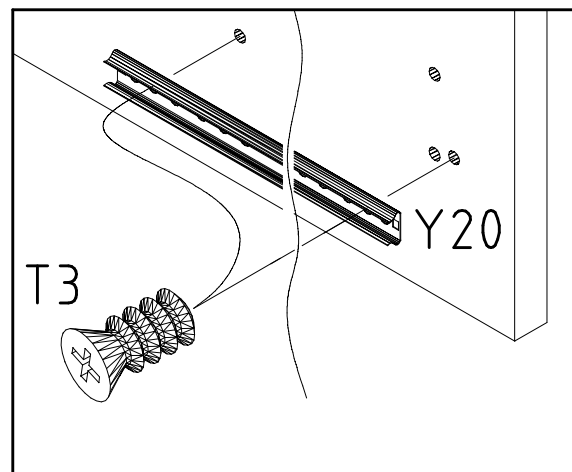
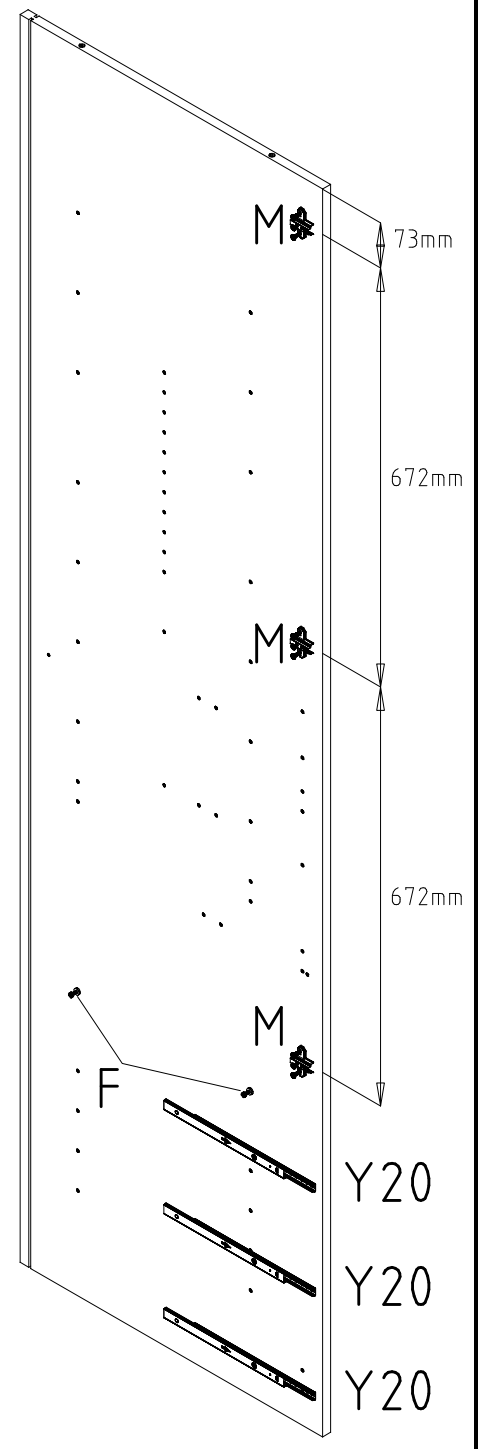
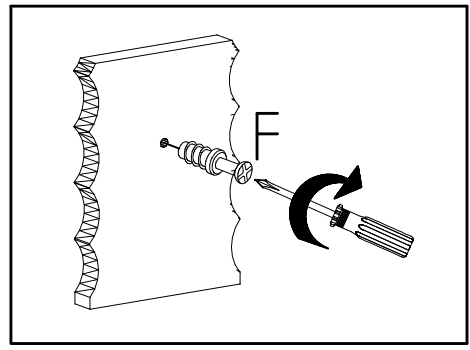
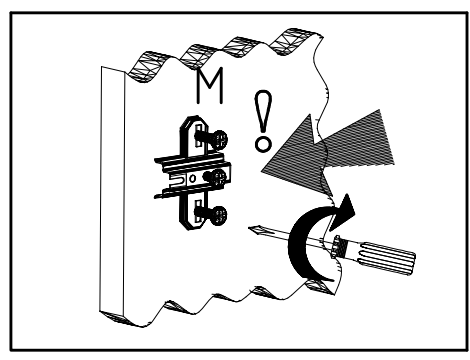
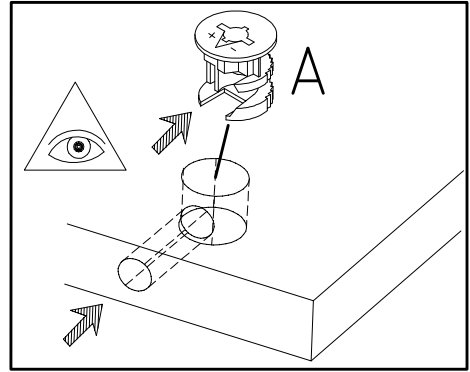
111 102



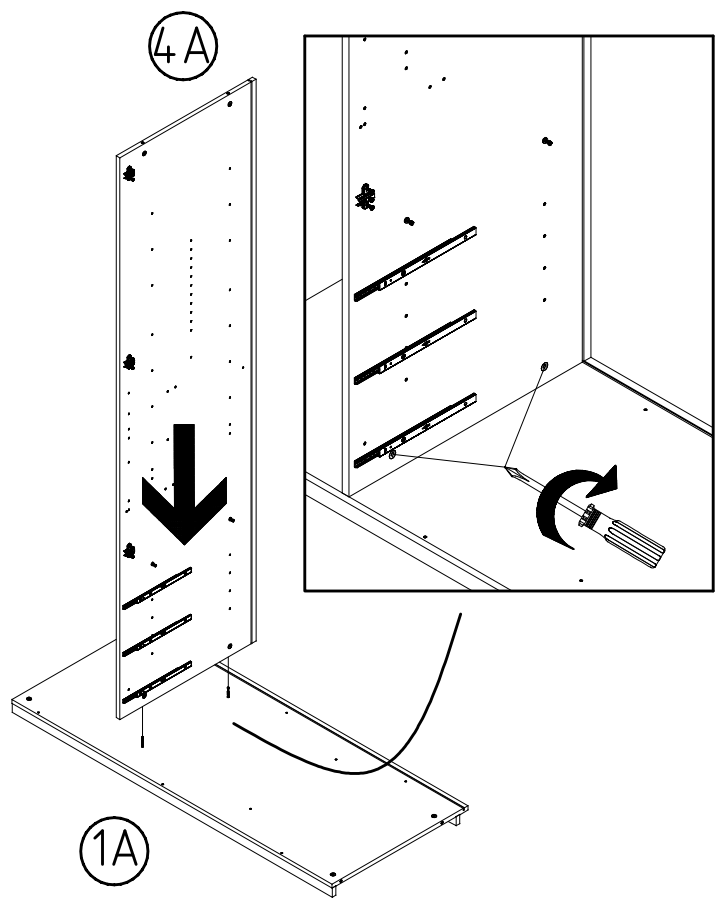
112 268



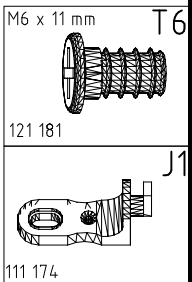
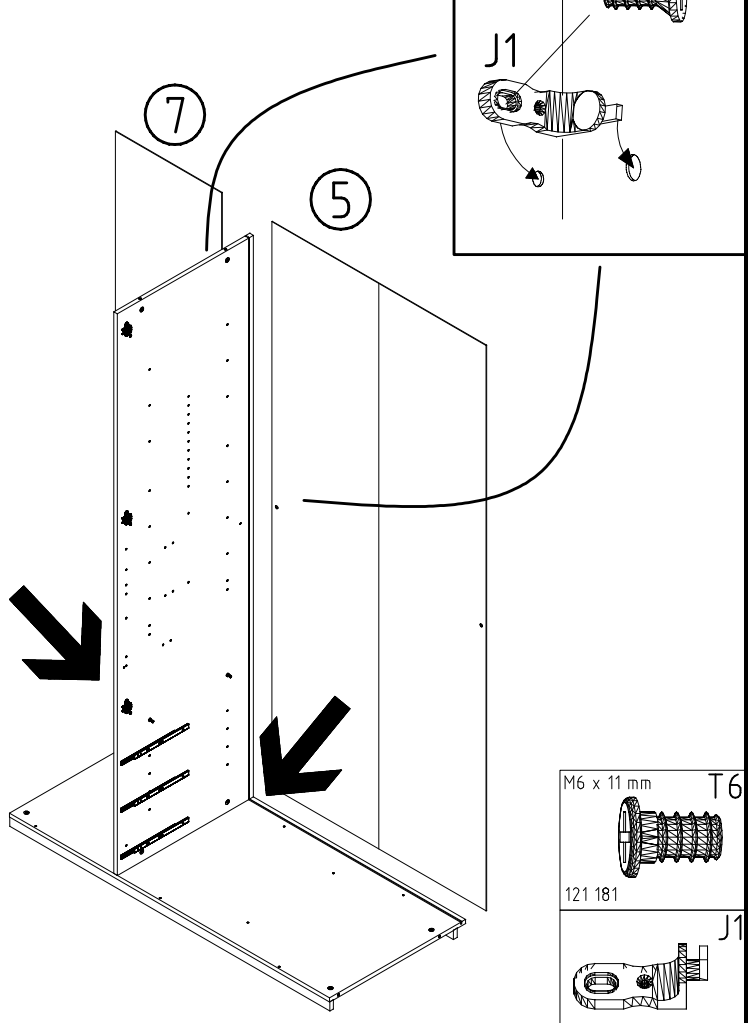
④  
= 4B



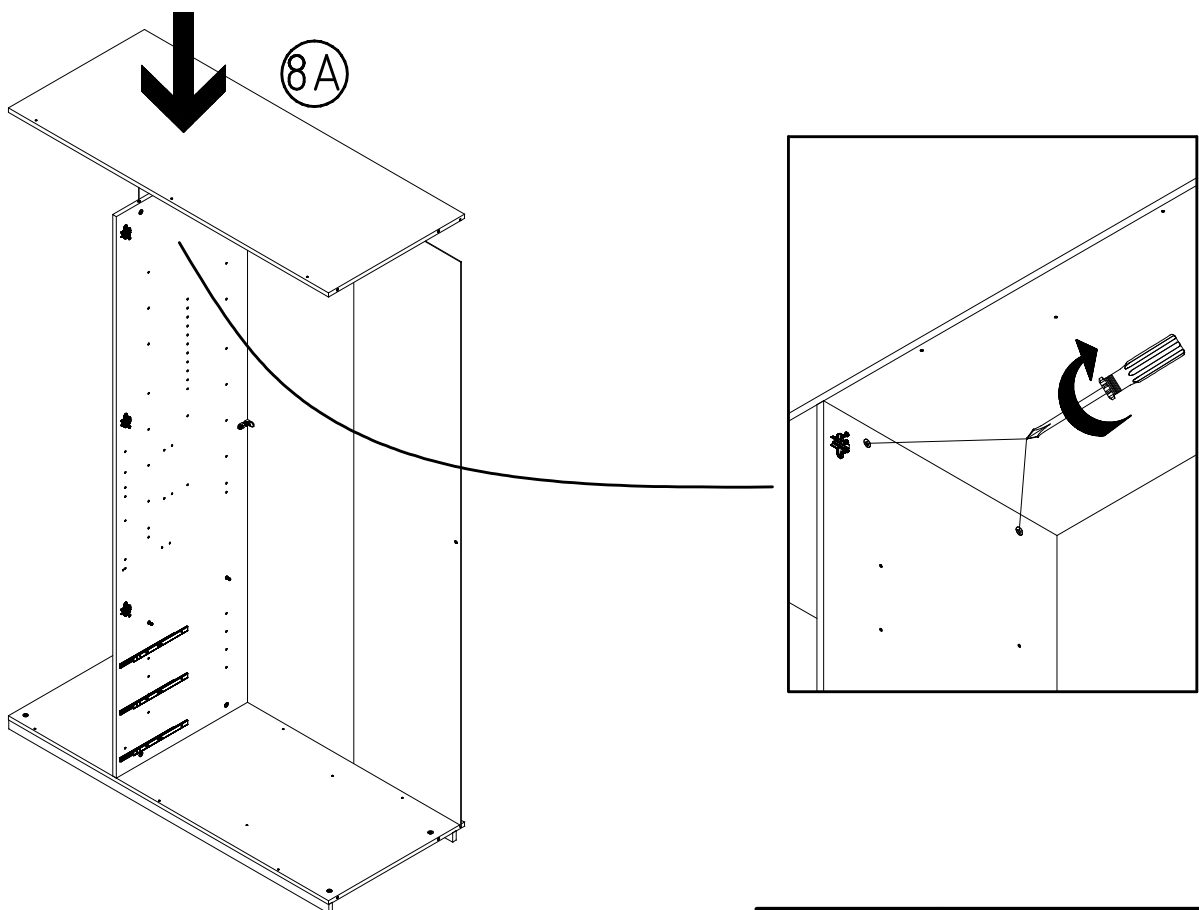
11



12



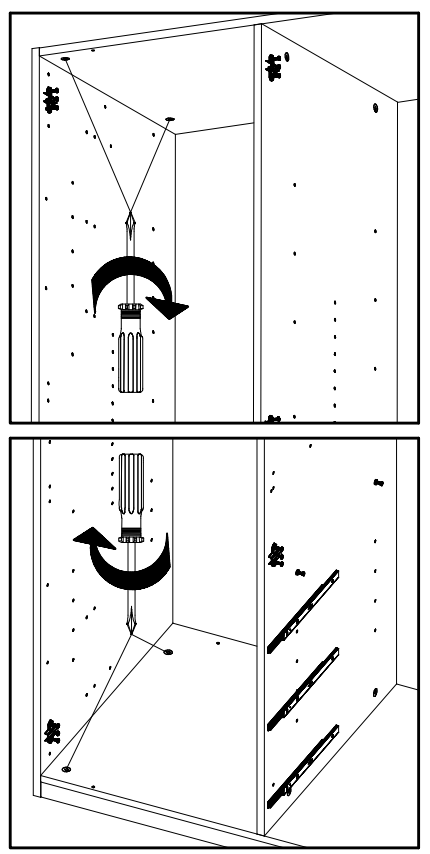
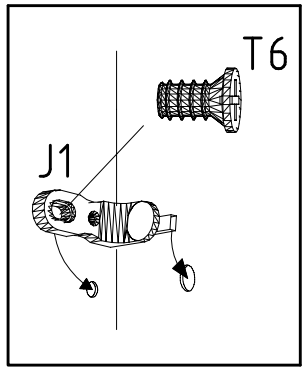
13



14

M6 x 11 mm T6 J1  
121 181 111 174

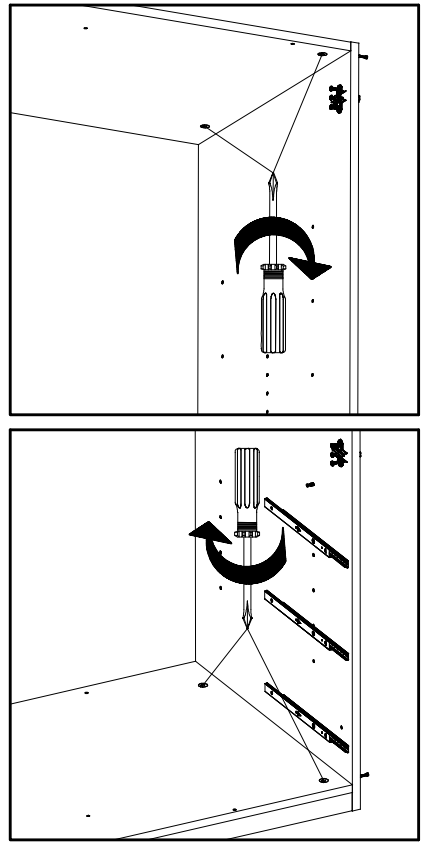
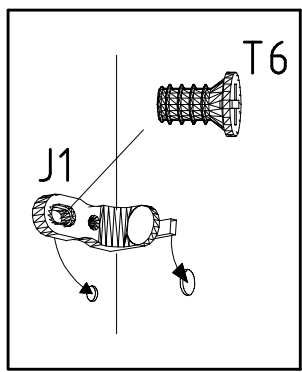
9A



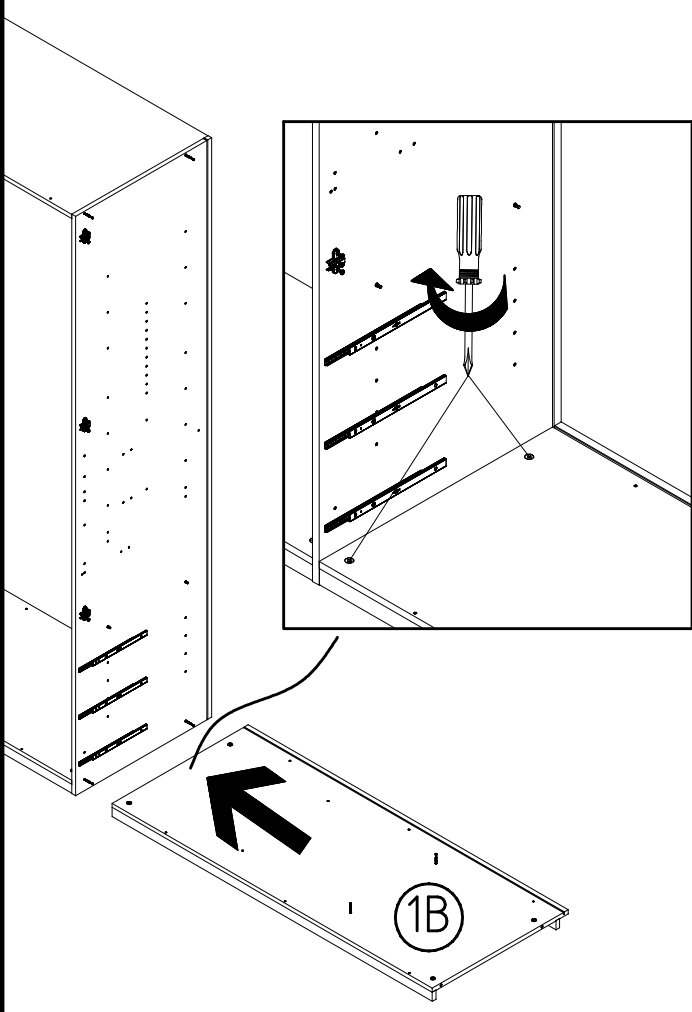
15

M6 x 11 mm T6 J1  
121 181 111 174

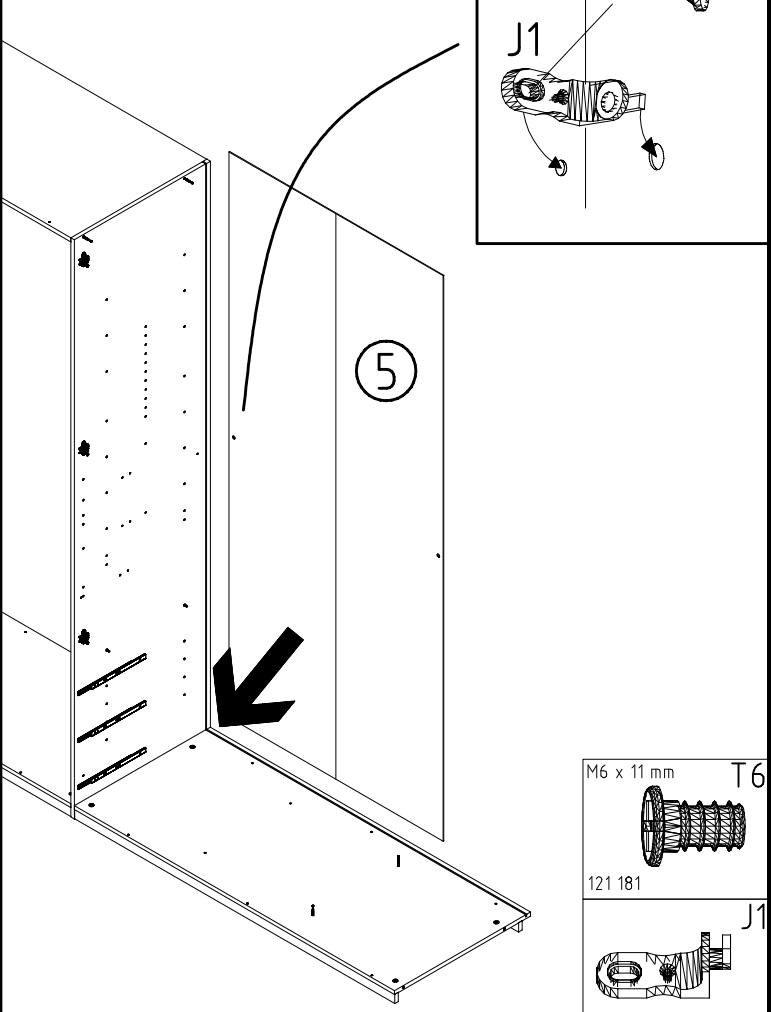
6



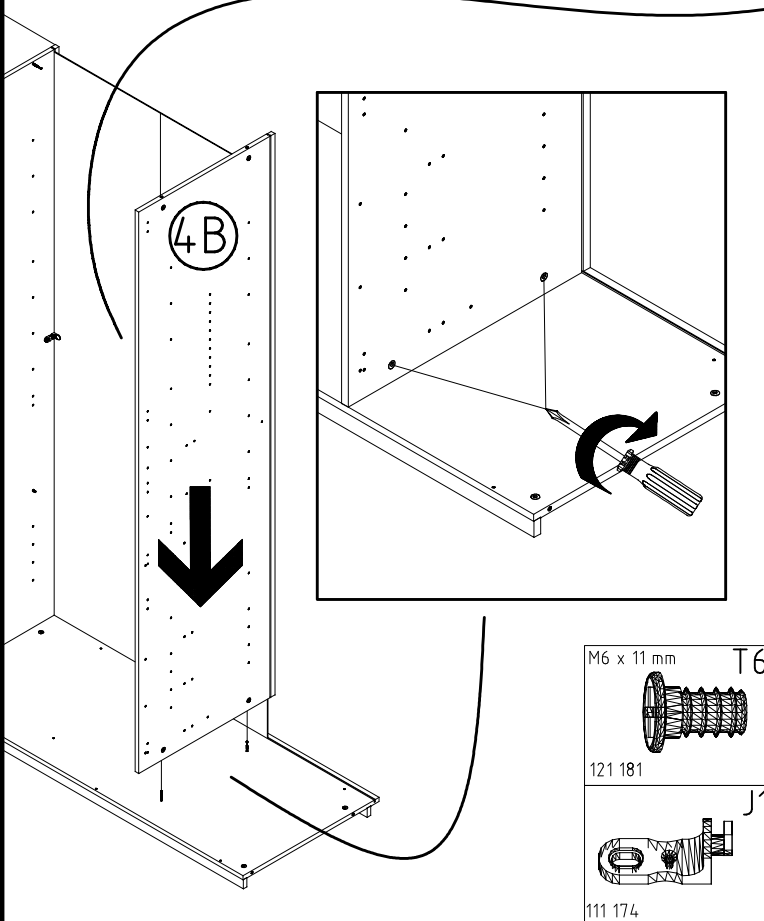
16



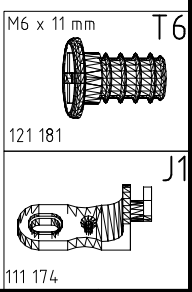
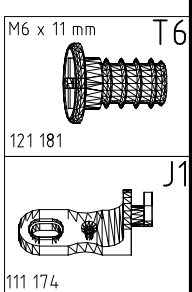
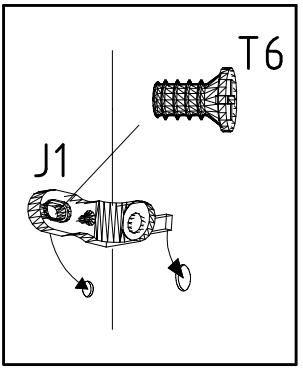
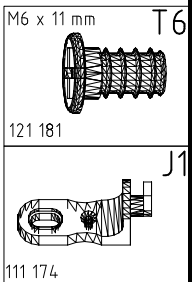
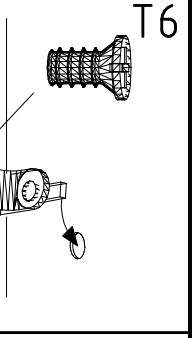
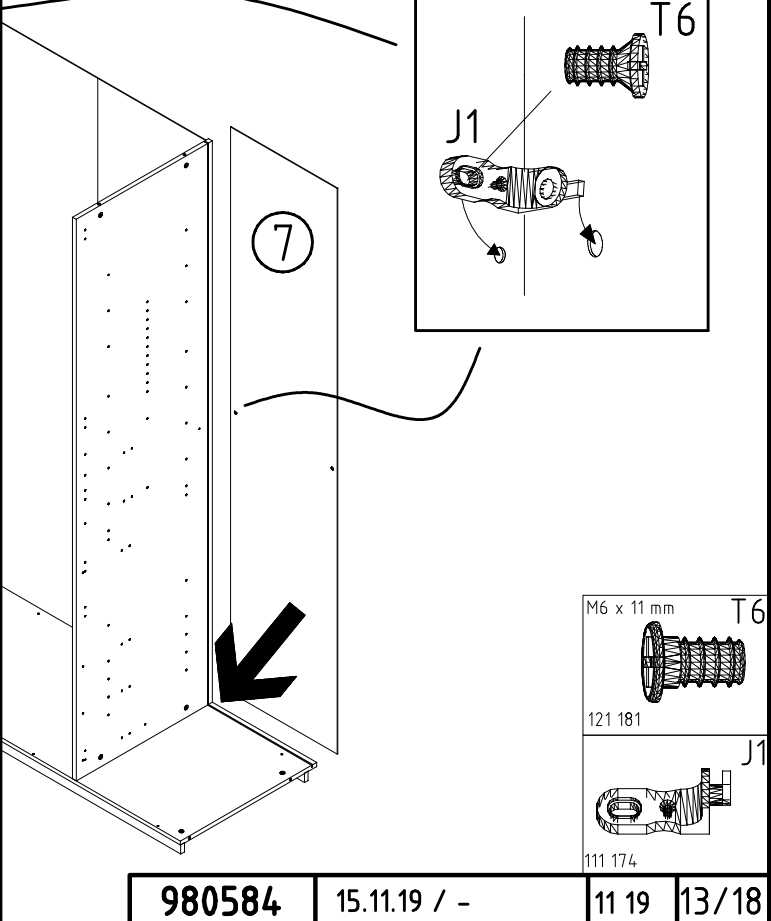
17



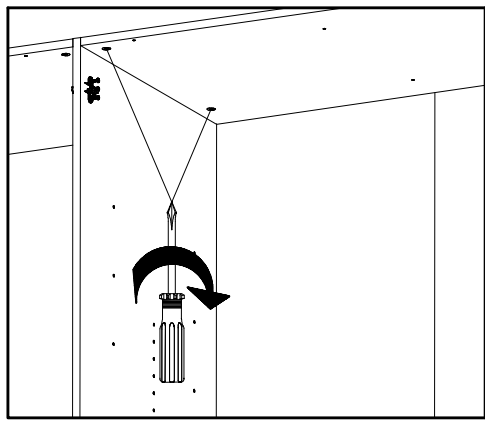
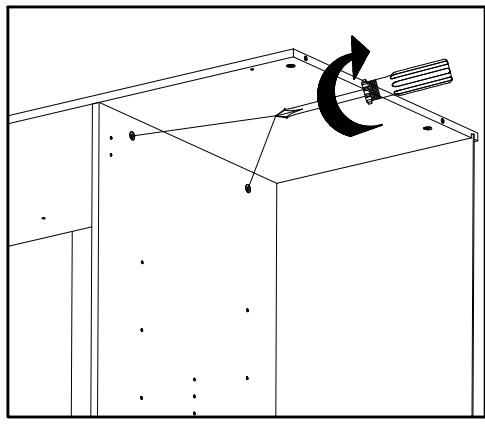
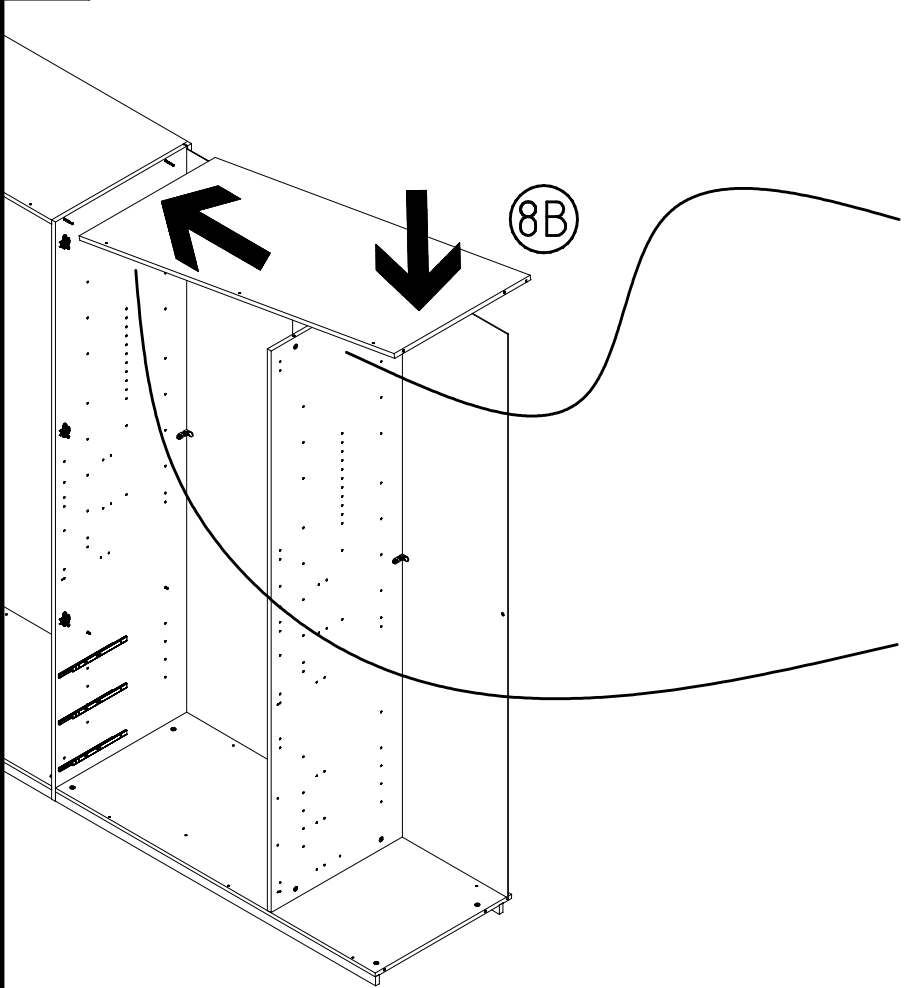
18



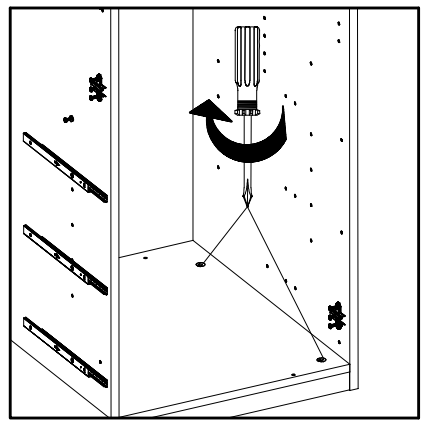
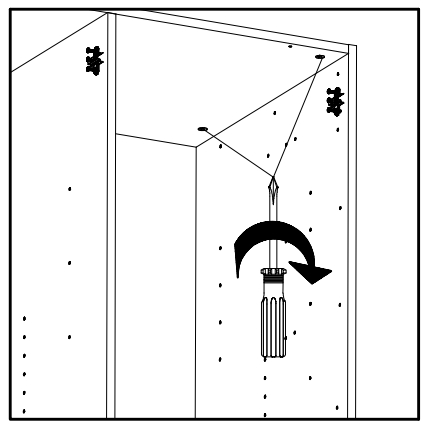
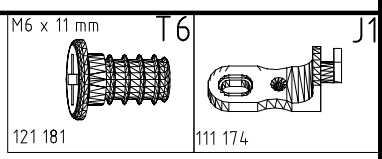
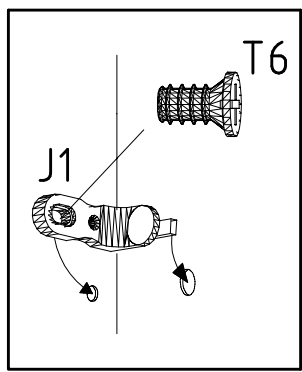
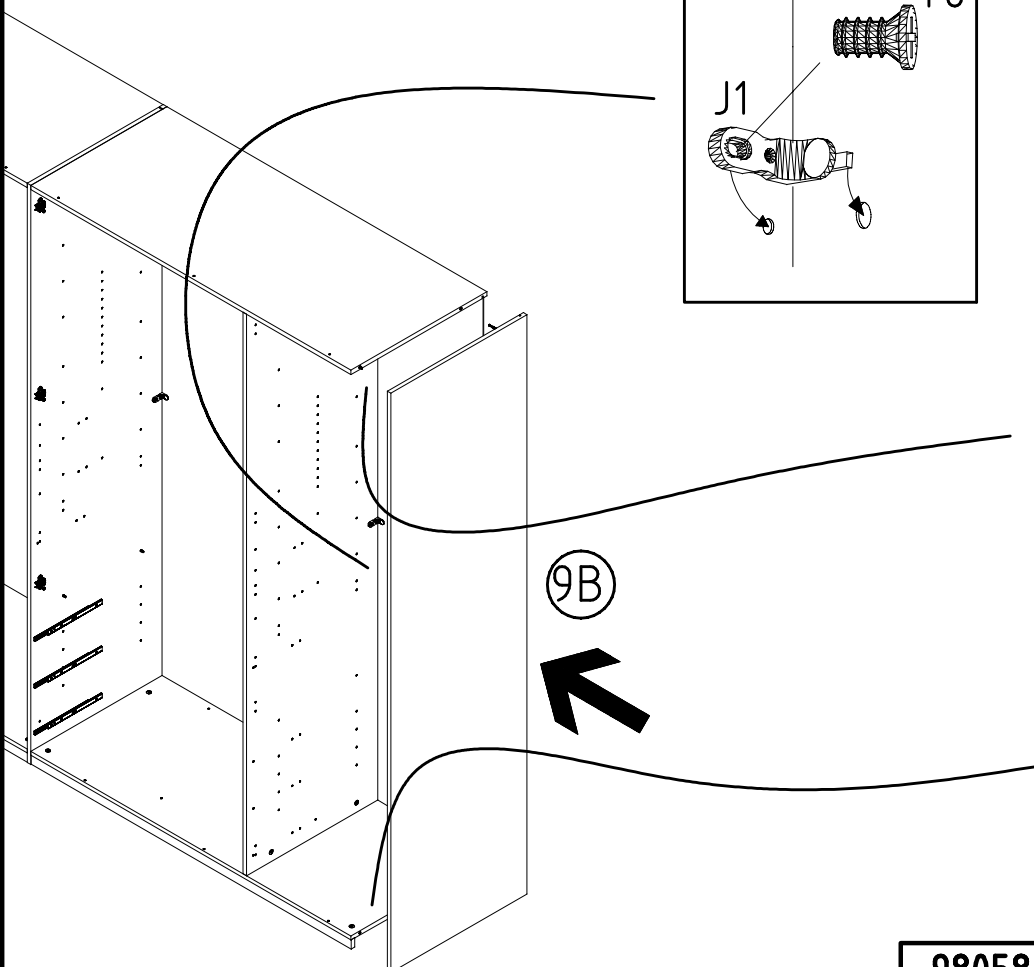
19



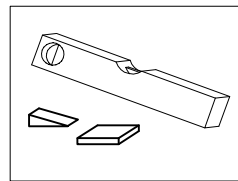
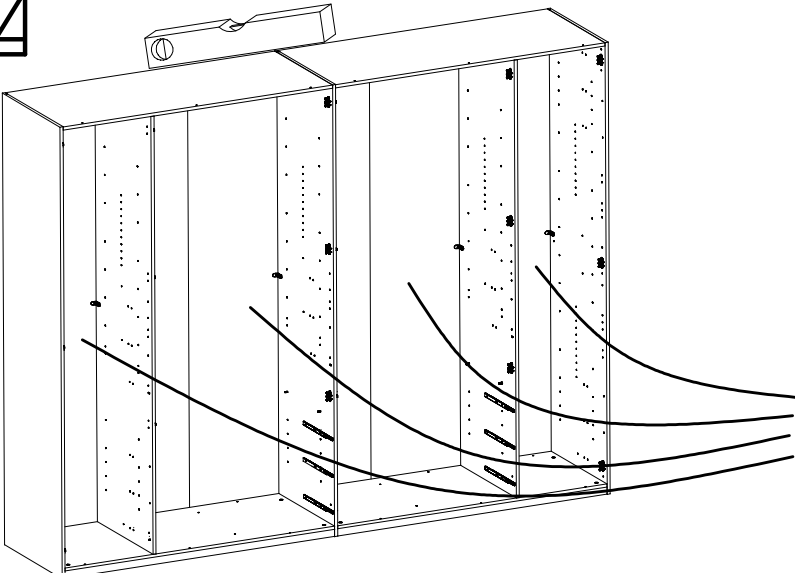
20



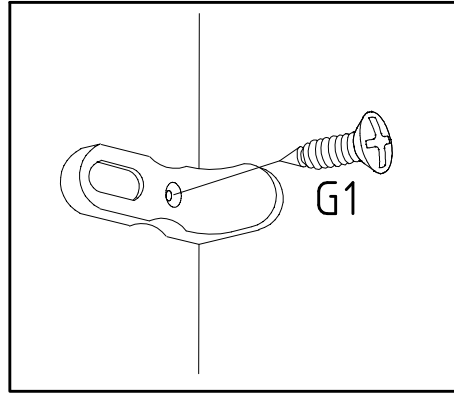
21



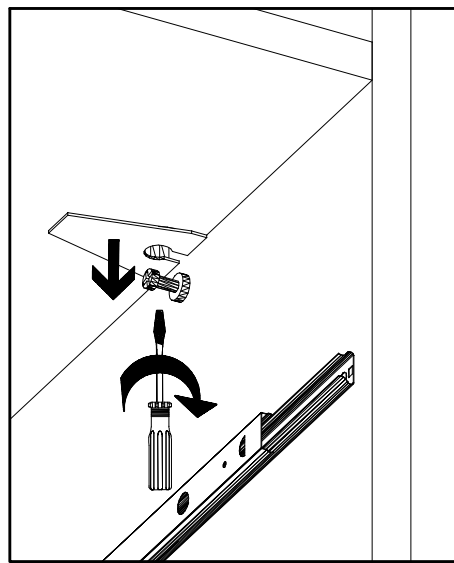
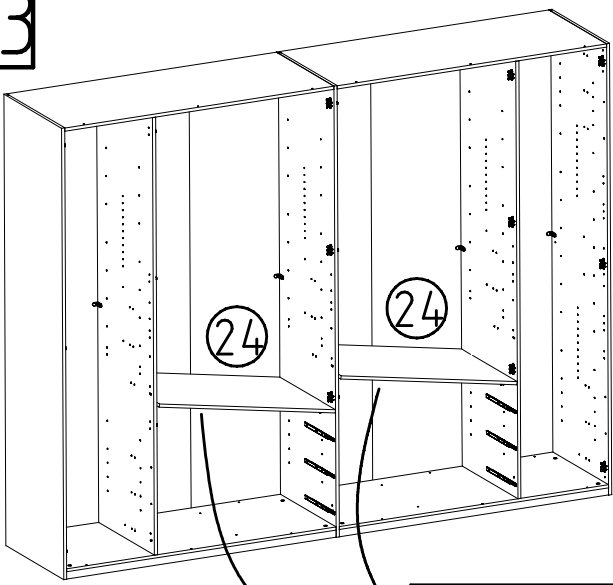
22



3,5 x 15 mm G1  
121 370

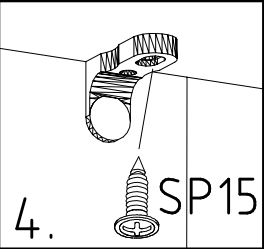
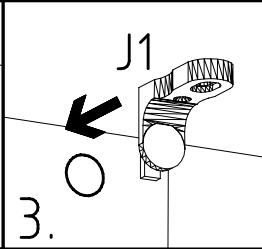
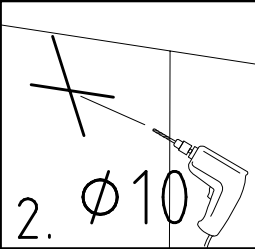
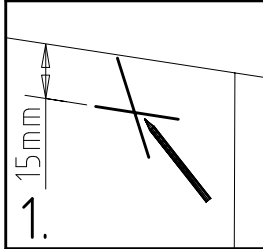


23

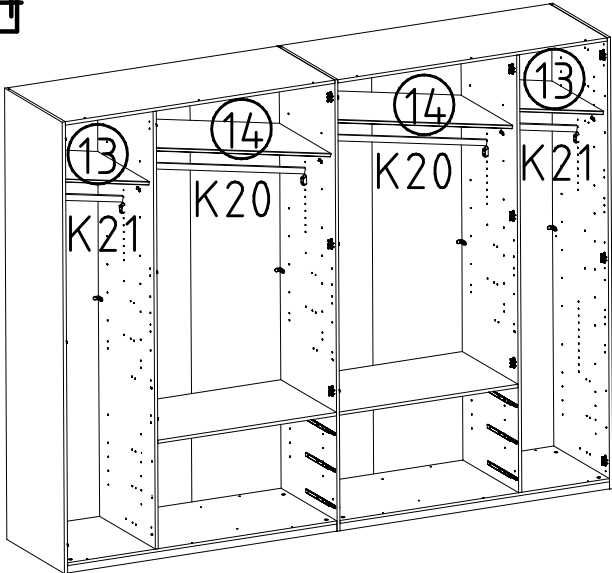


SP15 4 X 15mm  
121 120

J1  
111 174



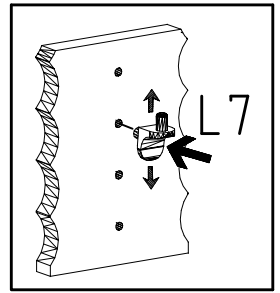
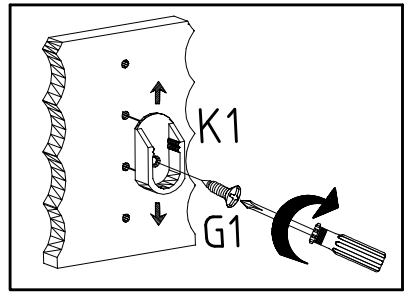
24



3,5 x 15 mm G1  
121 370

L7  
111 610

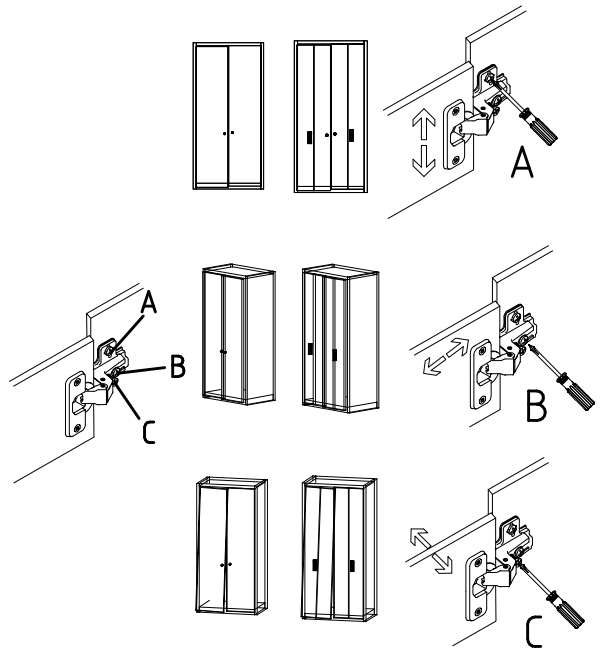
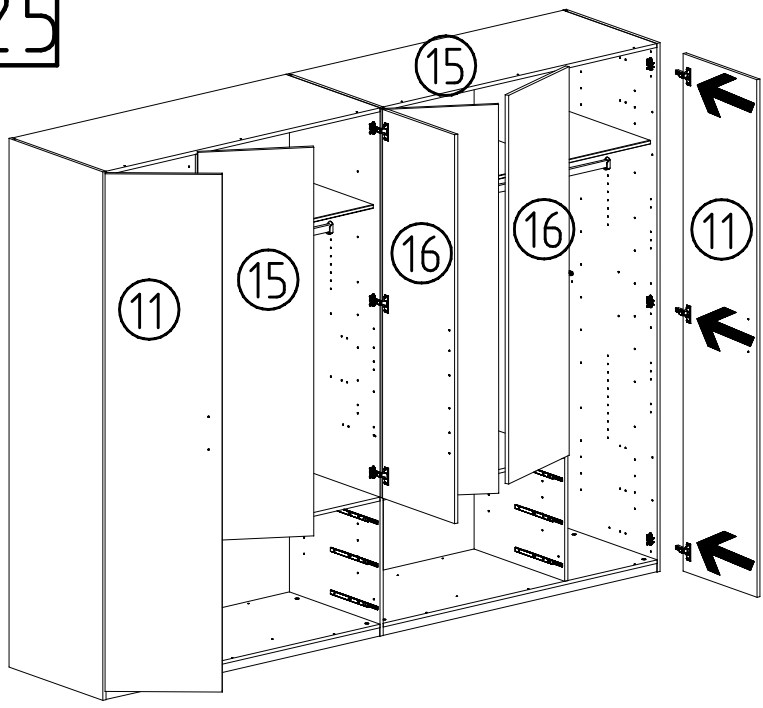
K1  
117 001



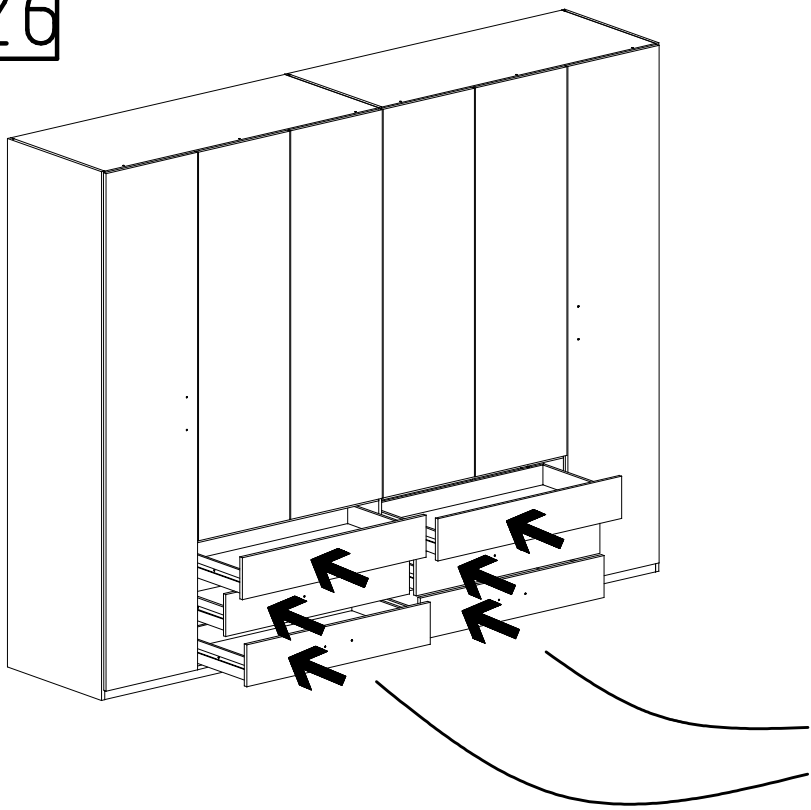
K21  
424mm  
112 403

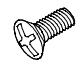
K20  
870mm  
112 402

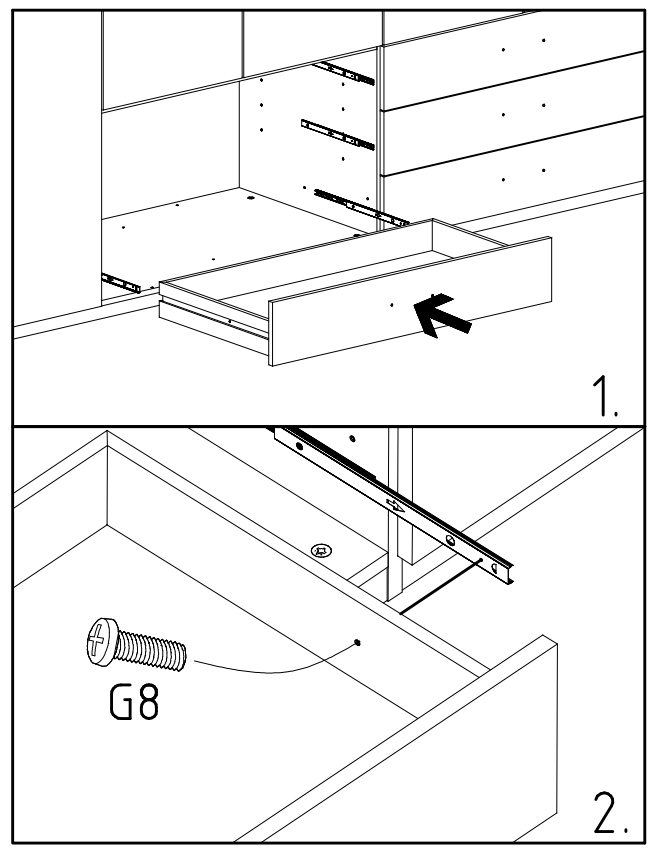
25



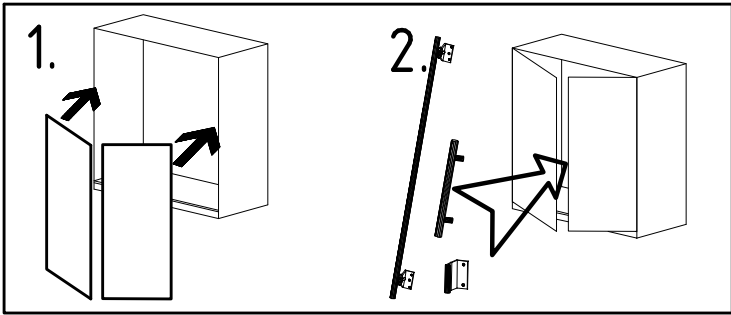
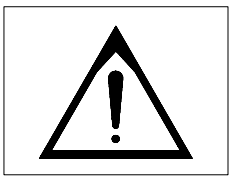
26



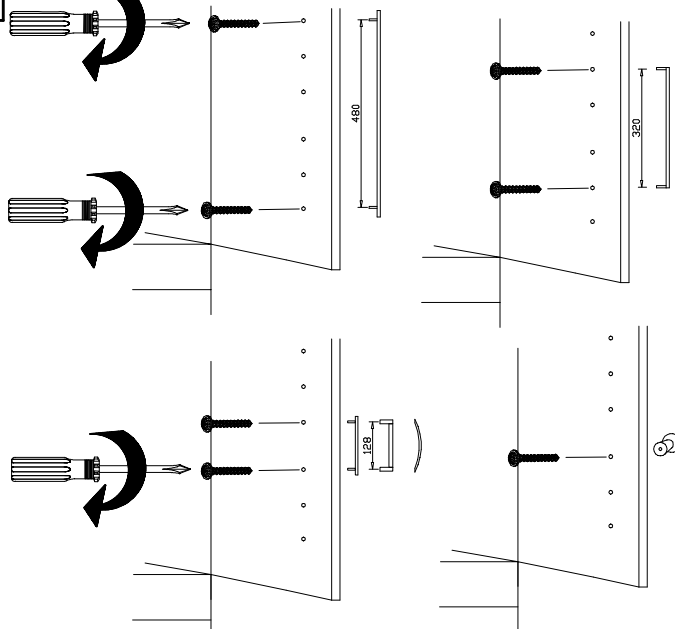
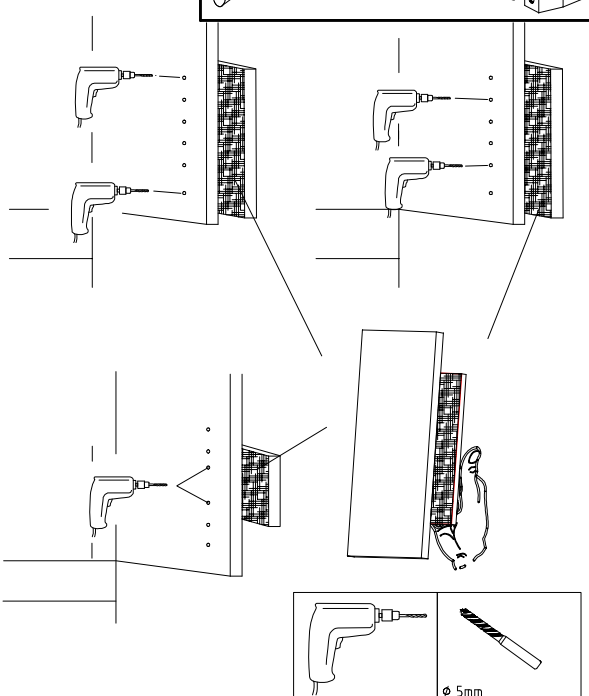
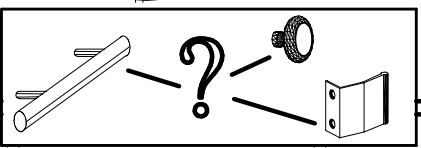
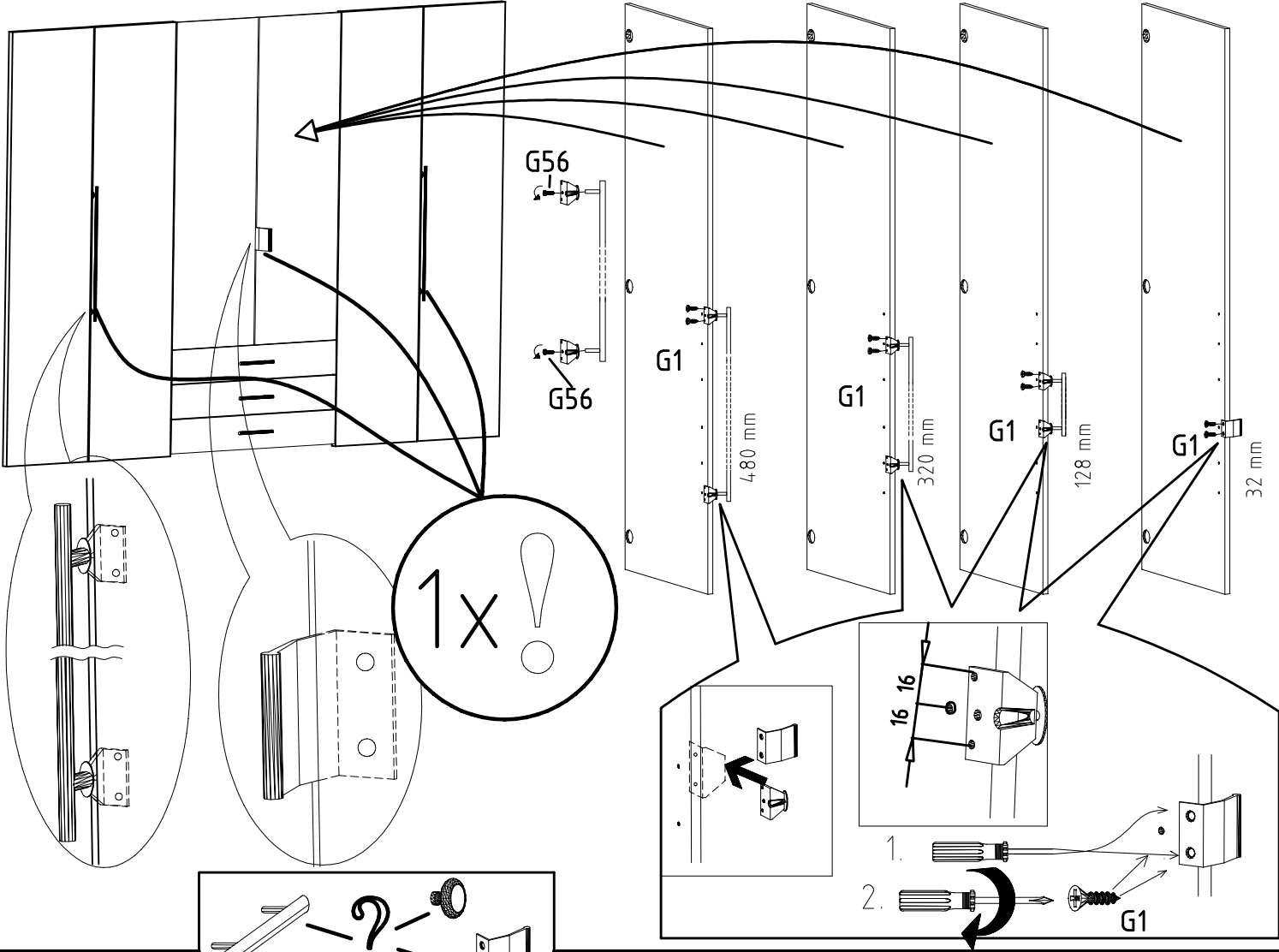
M4 x 9 mm **G8**  
  
 111 015







3,5 x 15 mm 121 370	G1	4,0 x 12 mm 122 625	G56
------------------------	----	------------------------	-----



<b>SP27</b>
4 X 27mm
122620
4,0x22
G49
122 609

