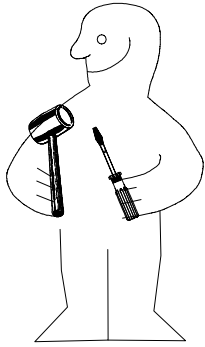
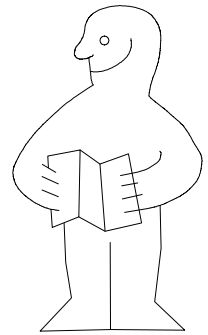
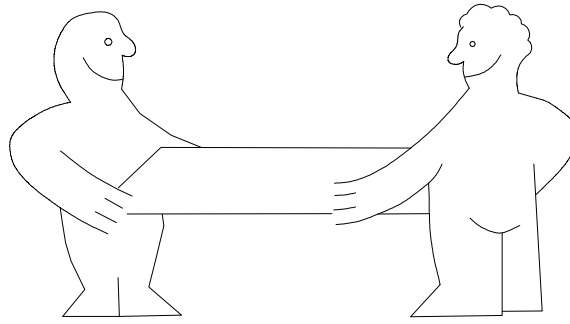
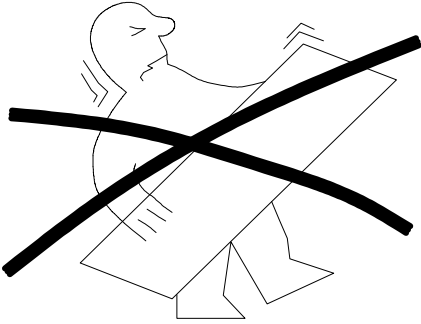
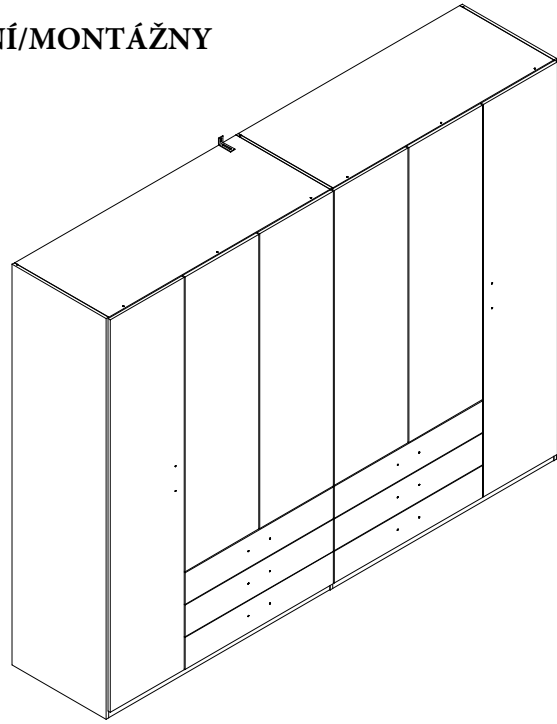


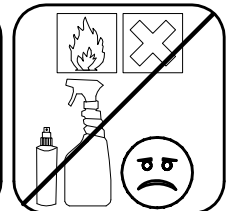
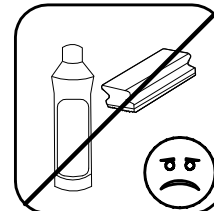
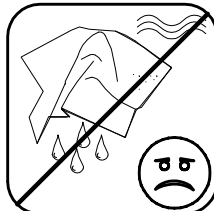
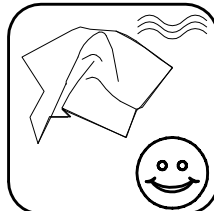
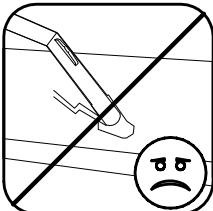
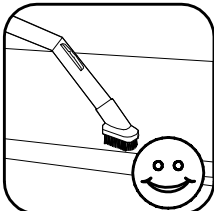
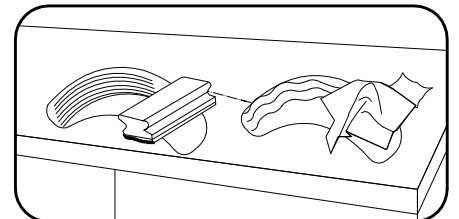
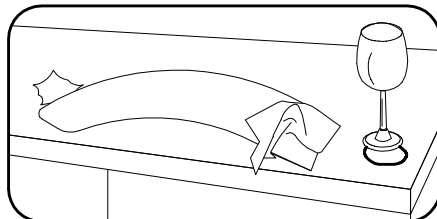
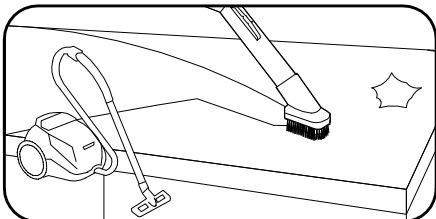
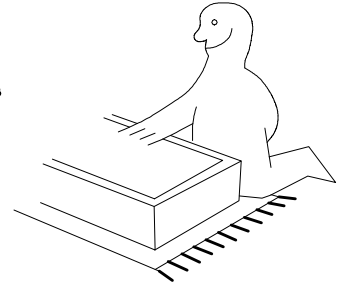
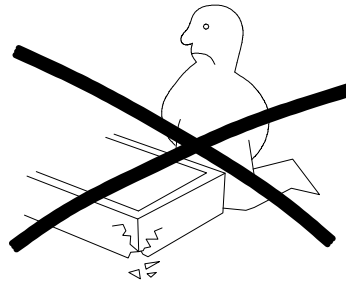
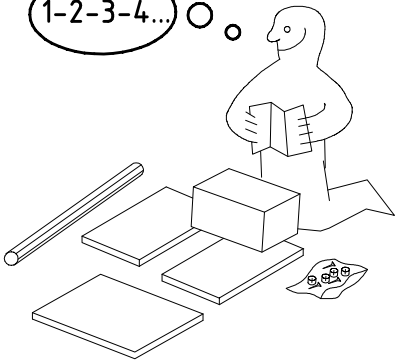
980584

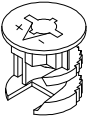
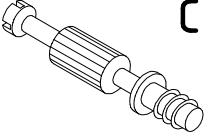
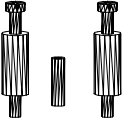
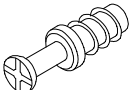
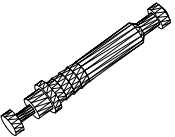
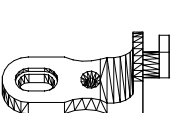
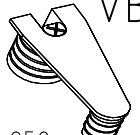
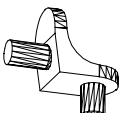


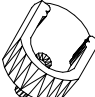

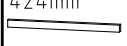
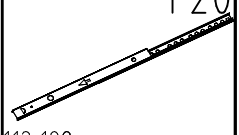
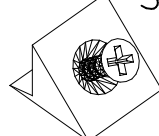
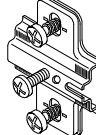
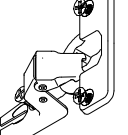
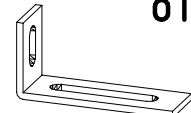
MONTÁŽNÍ/MONTÁŽNY  
NÁVOD


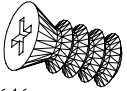
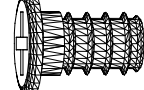
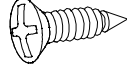
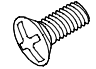




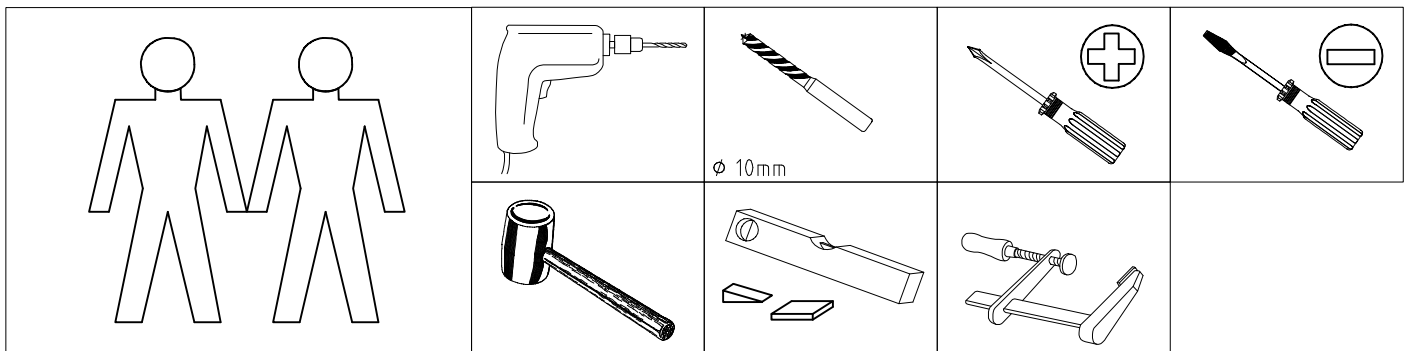
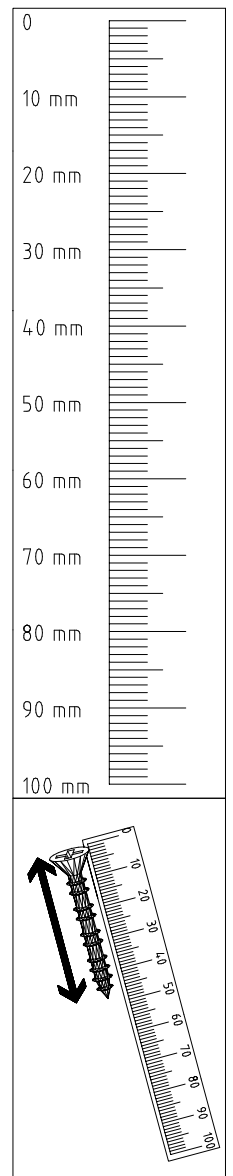
1-2-3-4...

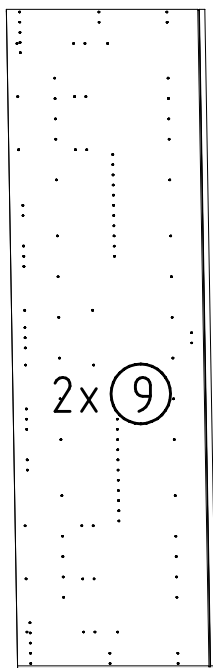


|  |                   |
|--|-------------------|
| <br>111 102   | <b>A</b><br>24x   |
| <br>111 103    | <b>C</b><br>16x   |
| <br>F3        | 4x                |
| <br>111 229   | <b>F</b><br>4x    |
| <br>111 235    | <b>E</b><br>2x    |
| <br>111 174   | <b>J1</b><br>10x  |
| <br>111 252 | <b>VB23</b><br>8x |
| <br>111 610 | <b>L7</b><br>16x  |

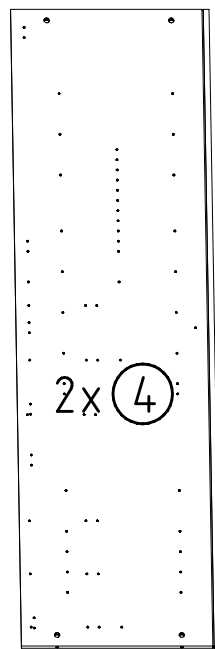
|  |                           |
|--|---------------------------|
| <br>117 001   | <b>K1</b><br>8x           |
| <br>112 402   | <b>K20</b><br>870mm<br>2x |
| <br>112 403   | <b>K21</b><br>424mm<br>2x |
| <br>112 198   | <b>Y20</b><br>12x         |
| <br>112 268   | <b>SBV</b><br>12x         |
| <br>112 267  | <b>M</b><br>18x           |
| <br>112 267 | <b>N</b><br>18x           |
| <br>111 052 | <b>o10</b><br>1x          |

|   |                                  |
|---|----------------------------------|
| <br>121 120   | <b>SP15</b><br>4 X 15mm<br>3x    |
| <br>112 616   | <b>T3</b><br>M6 x 10<br>24x      |
| <br>121 181   | <b>T6</b><br>M6 x 11 mm<br>8x    |
| <br>121 370   | <b>G1</b><br>3,5 x 15 mm<br>16x  |
| <br>111 015    | <b>G8</b><br>M4 x 9 mm<br>12x    |
| <br>121 375 | <b>G14</b><br>3,5 x 35 mm<br>12x |
| <br>163 007 | <b>Z</b><br>4x                   |

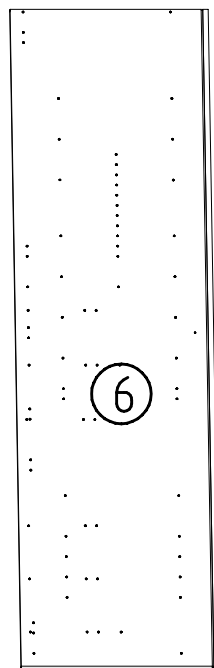




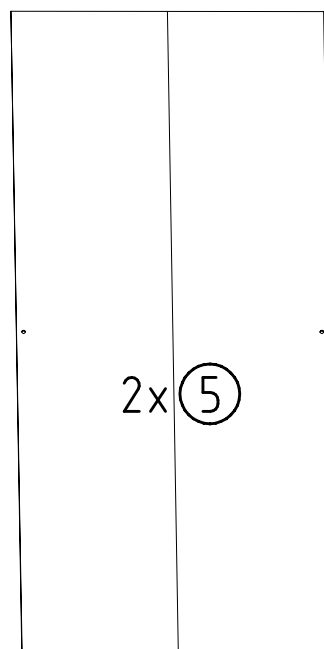
2064x560x15



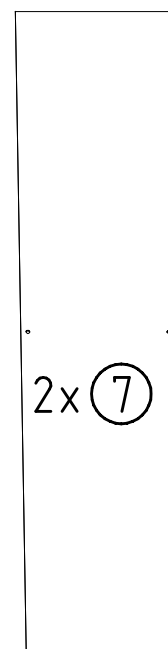
2001x560x15



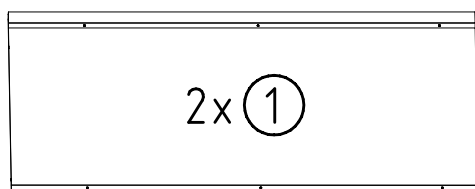
2064x560x15



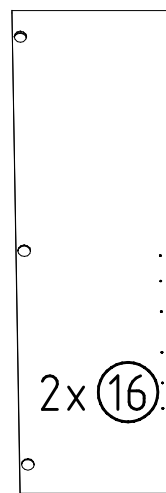
2015x882x2,5



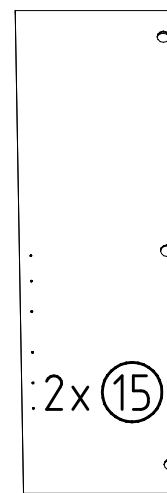
2015x438x2,5



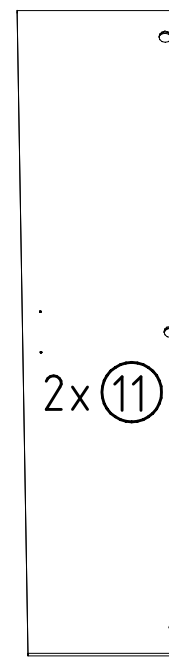
1317x560x15



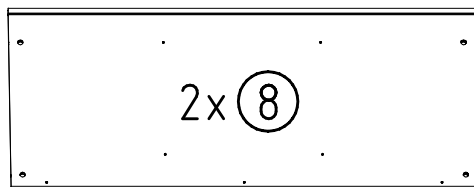
1518x439x15



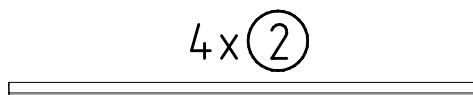
1518x439x15



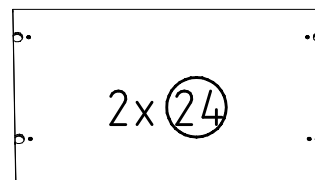
2021x439x15



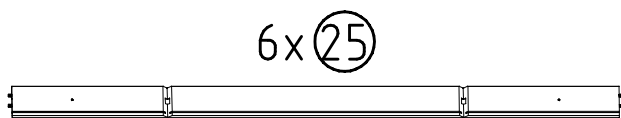
1317x560x15



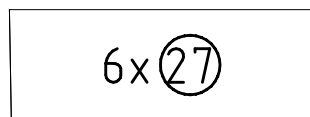
1316x32x15



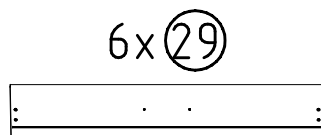
873x540x18



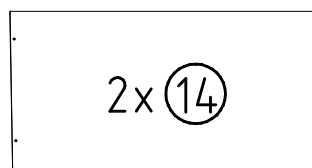
439x866x439x92



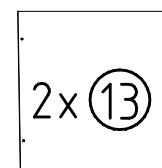
852x439x2,5



883x164x15



873x500x18



429x500x18

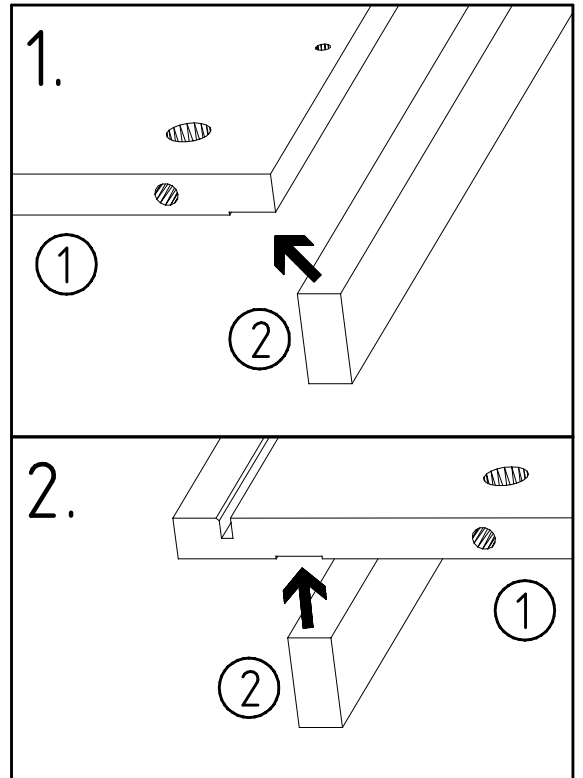
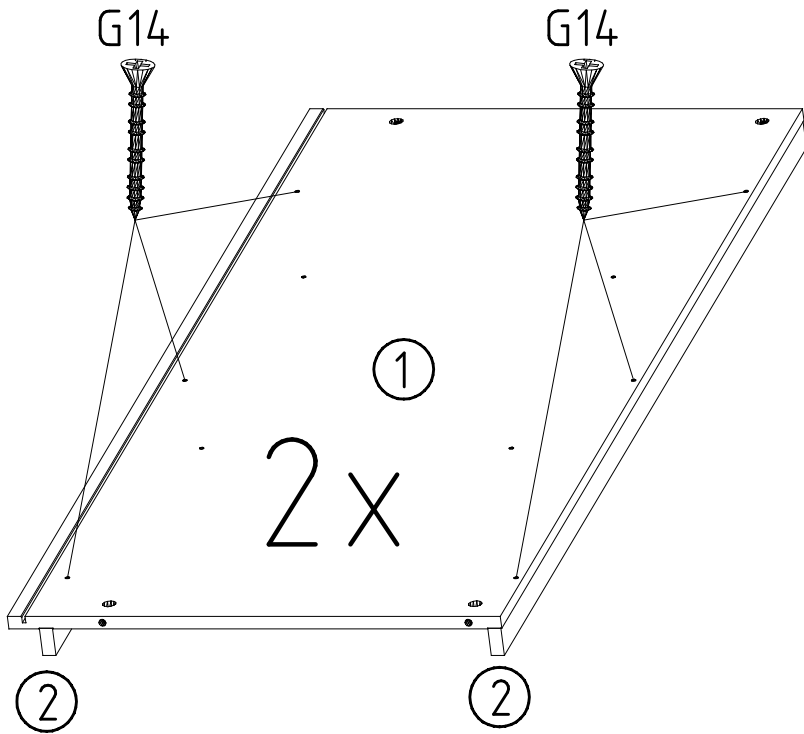
1

3,5 x 35 mm

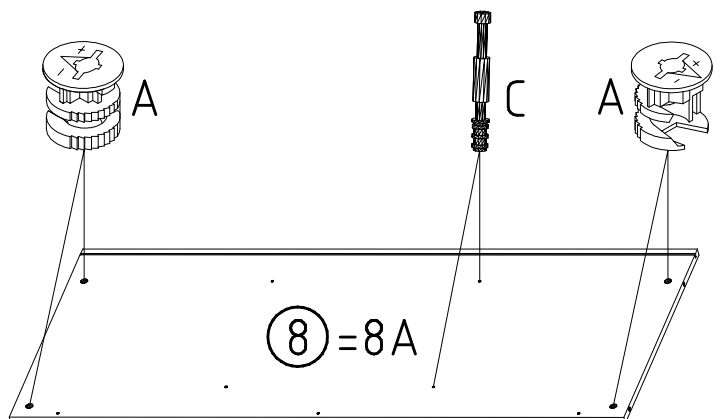
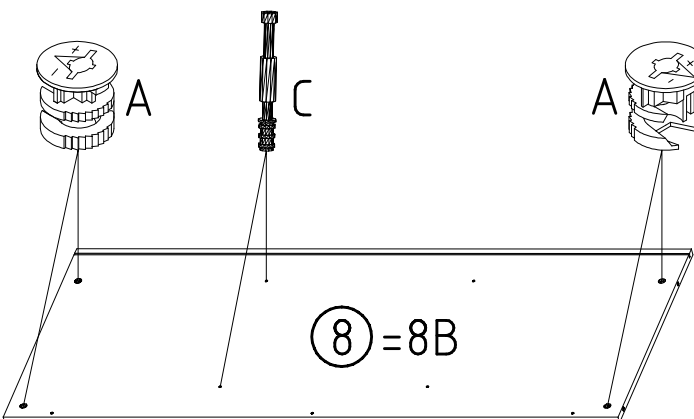
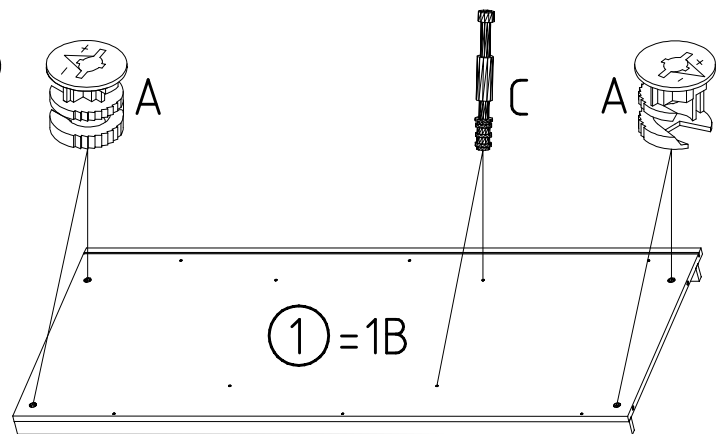
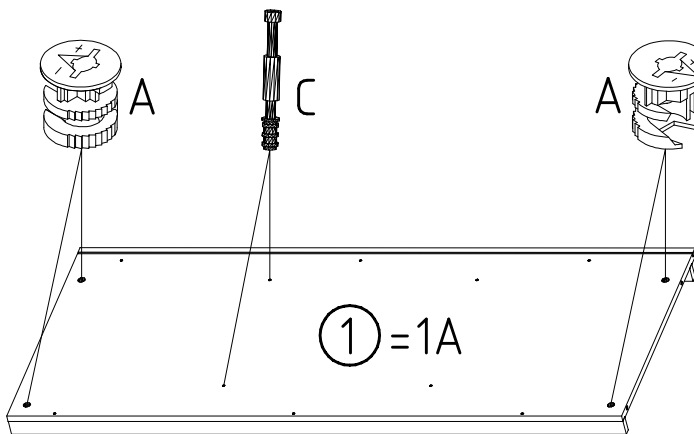
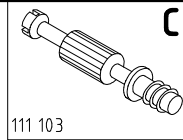
G14



121 375

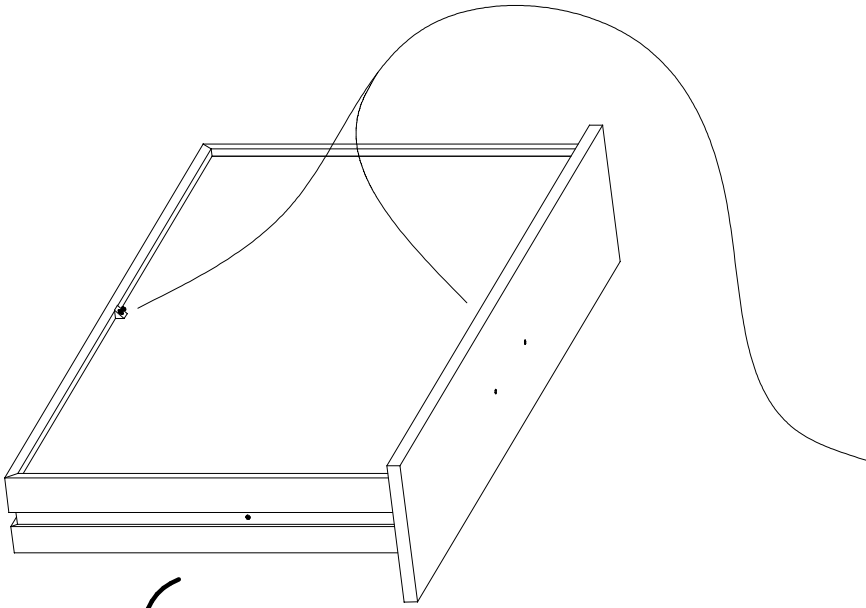
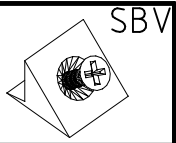


2

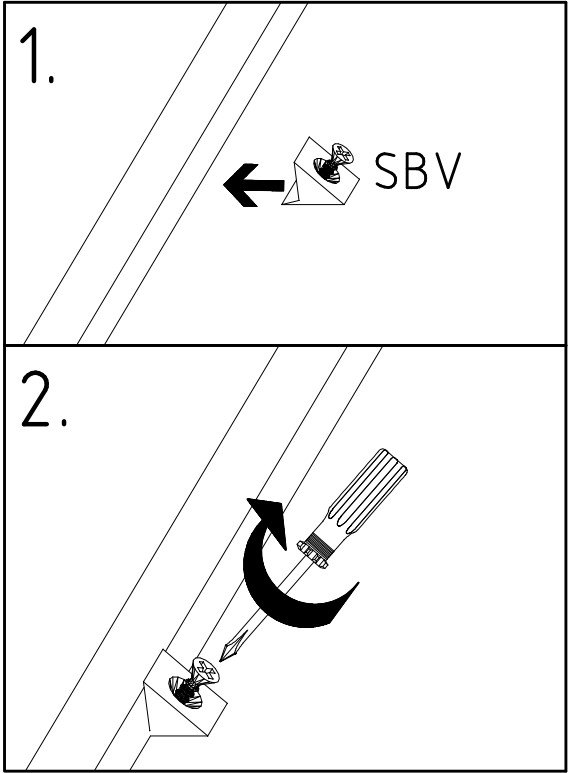




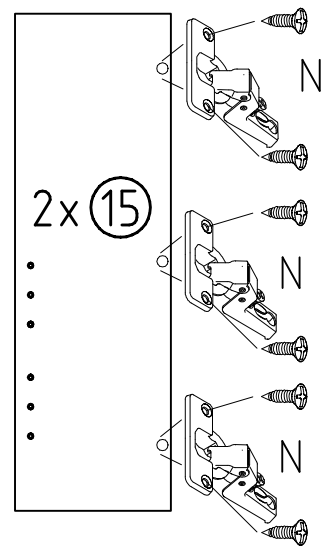
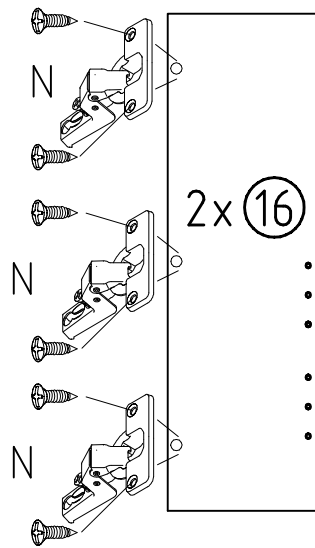
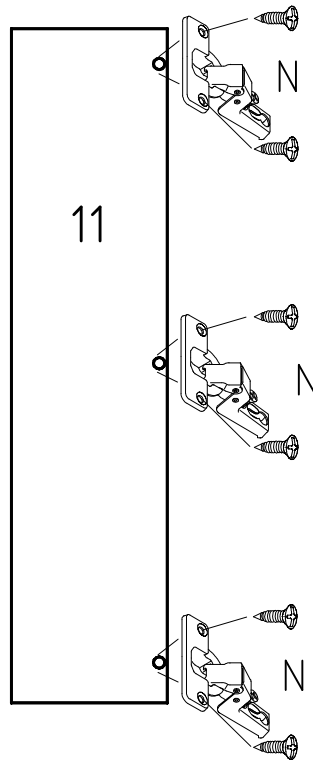
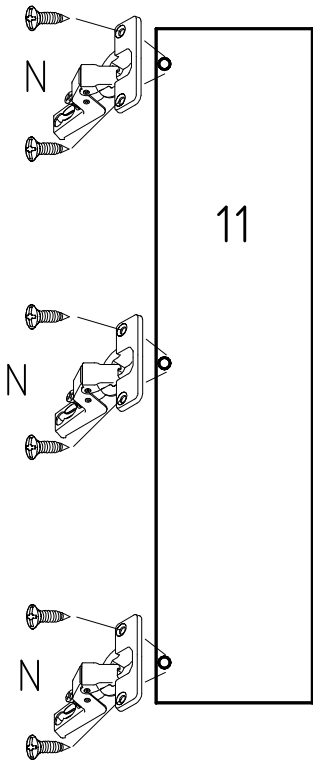
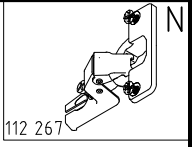
5

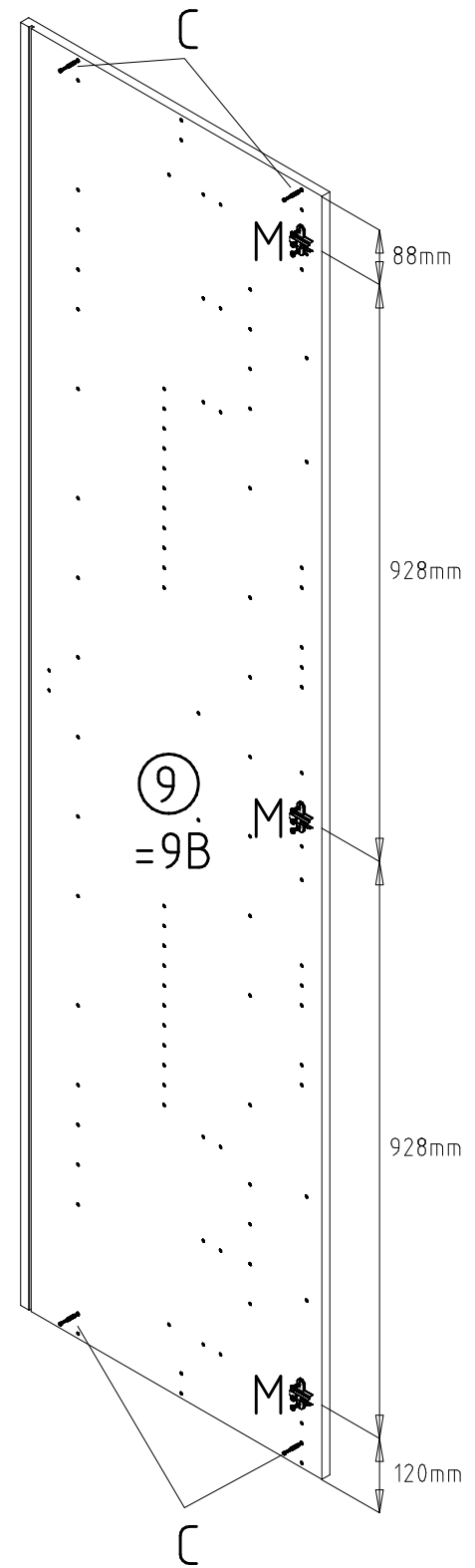
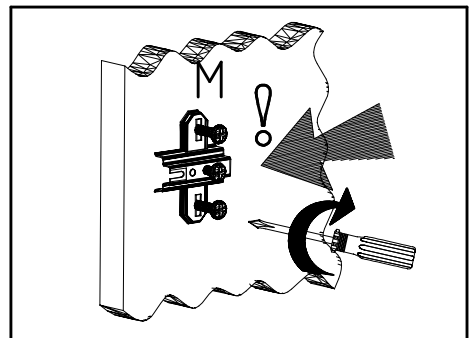
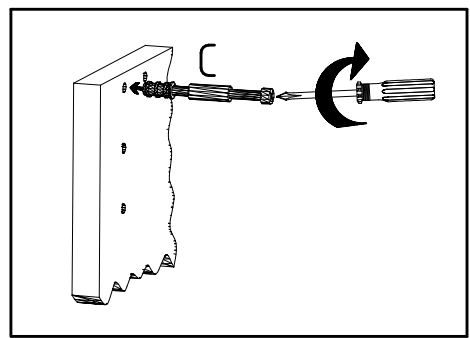
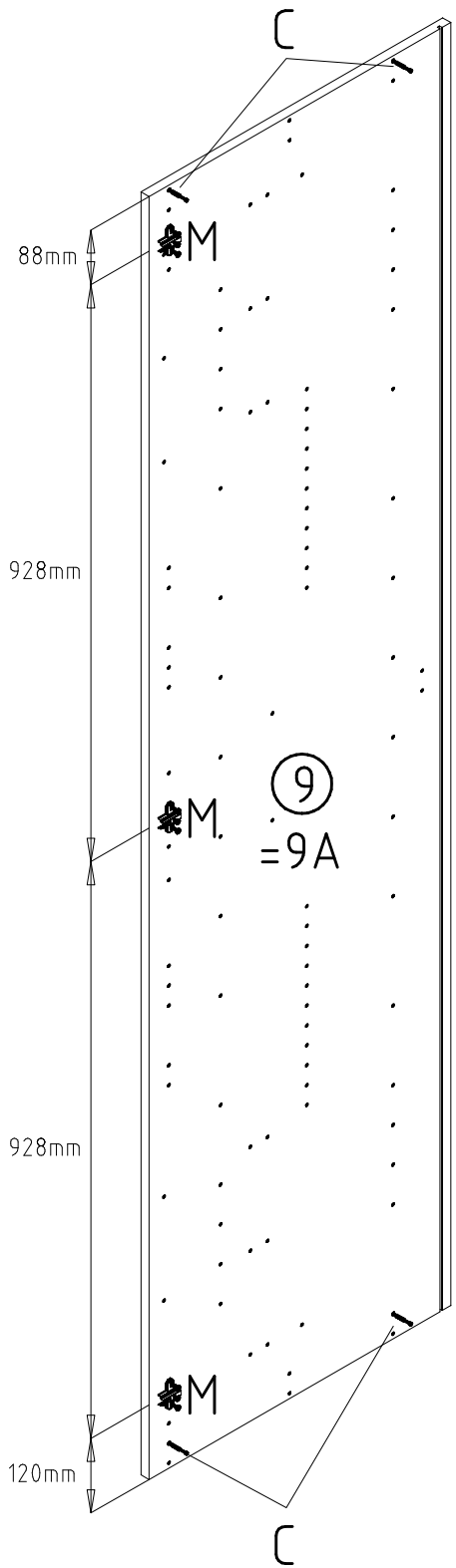
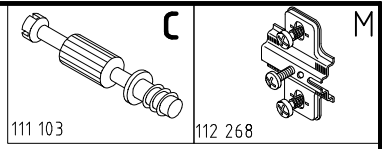


6x



6





M6 x 10

T3

Y20

E

F3

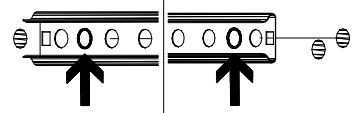
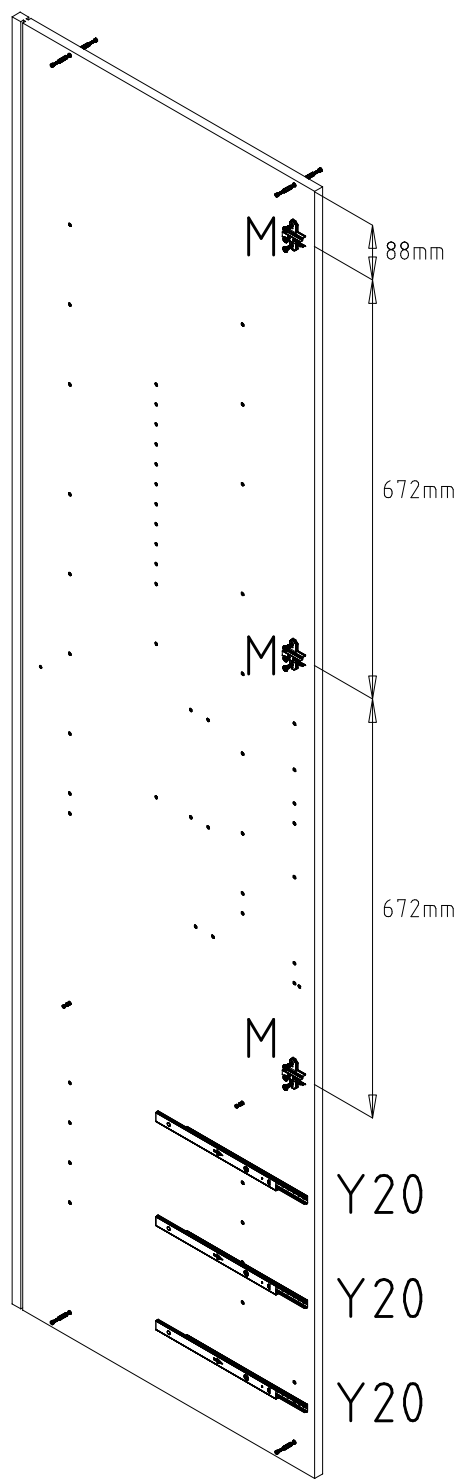
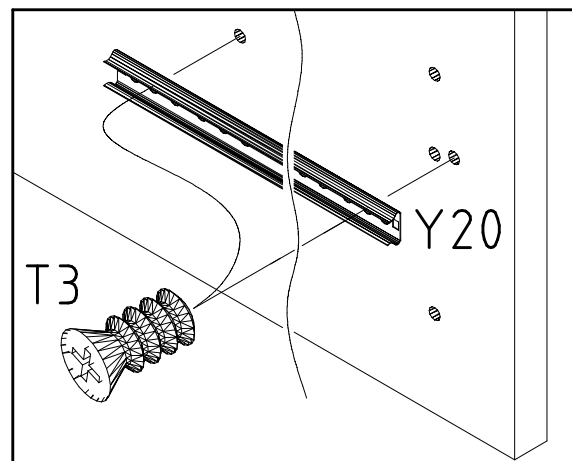
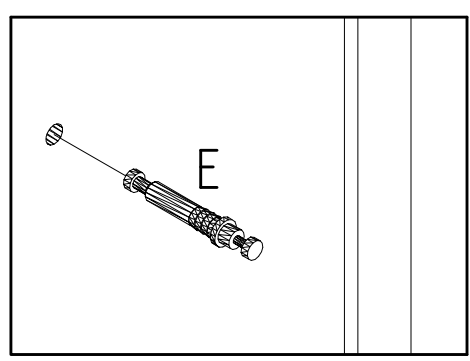
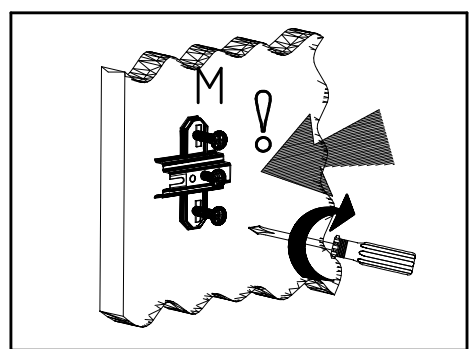
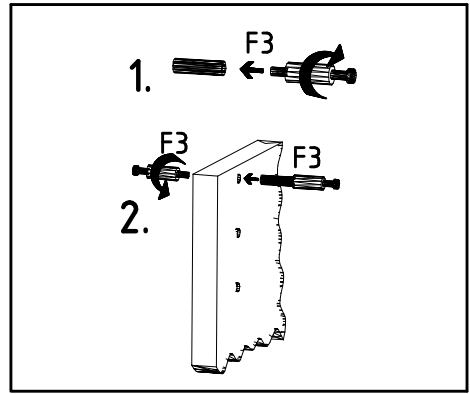
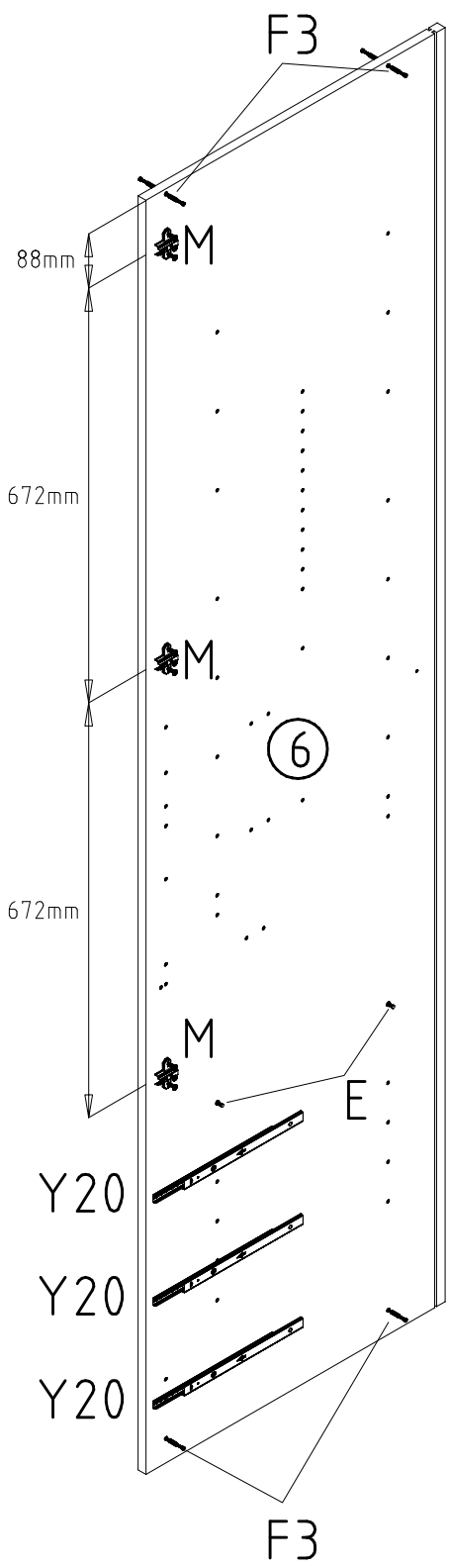
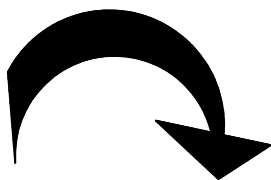
M

112 616

112 198

111 235

112 268





M6 x 10

T3

Y20

F

A

M

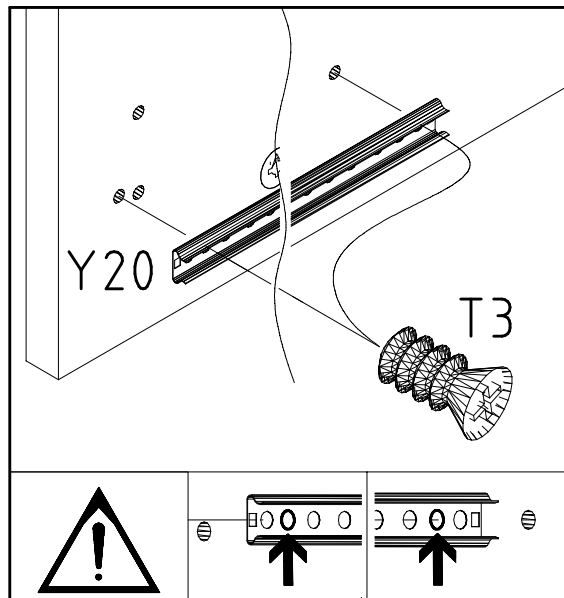
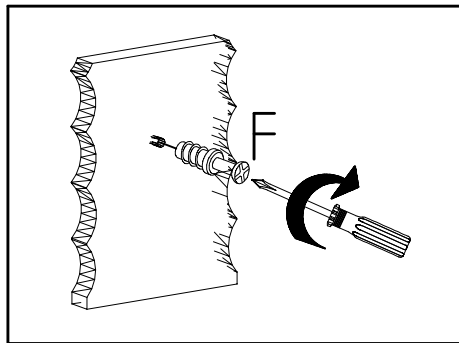
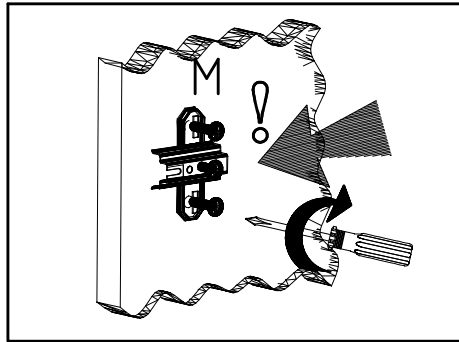
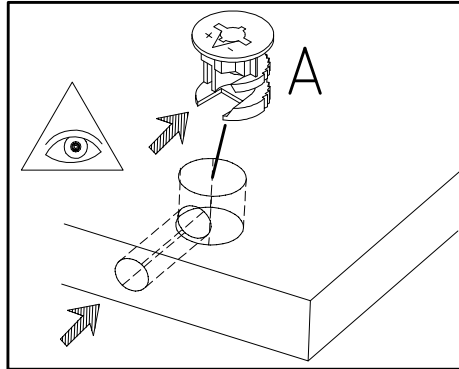
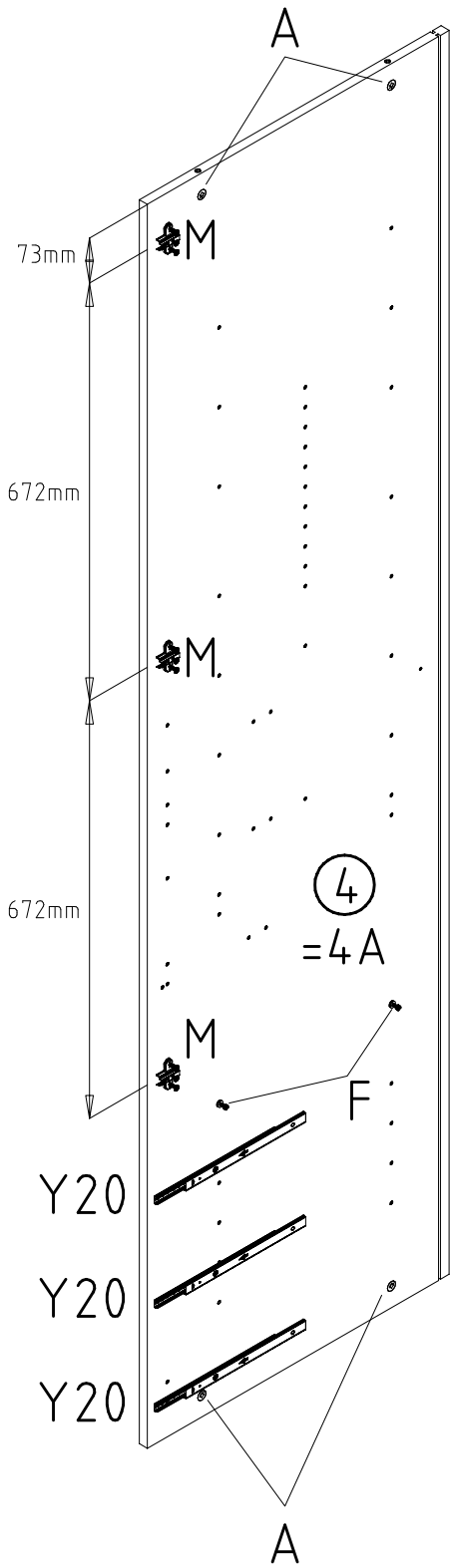
112 616

112 198

111 229

111 102

112 268



M6 x 10

T3

Y20

F

A

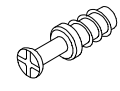
M



112 616



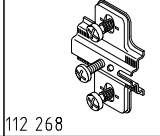
112 198



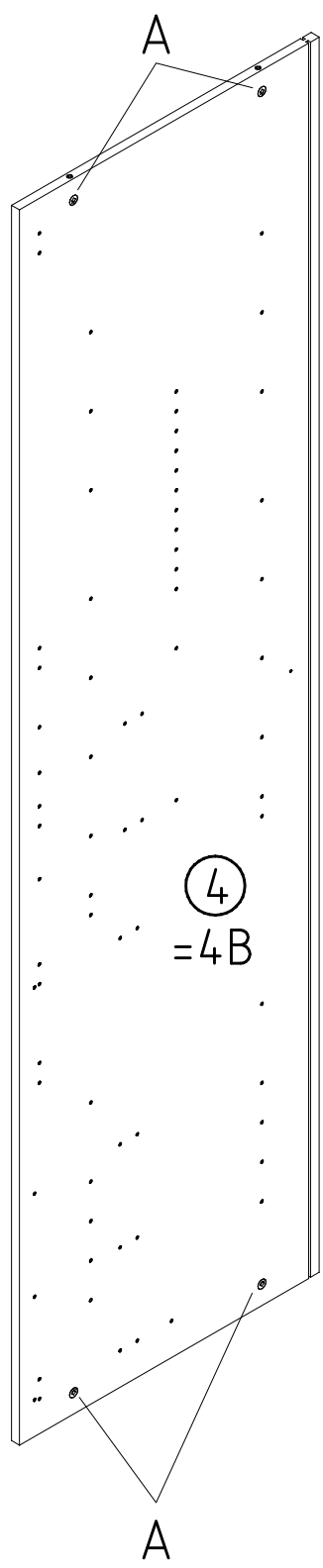
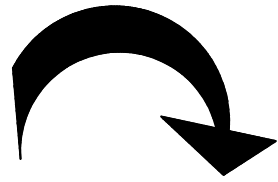
111 229



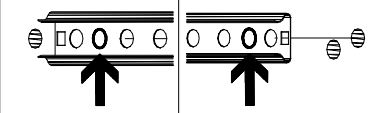
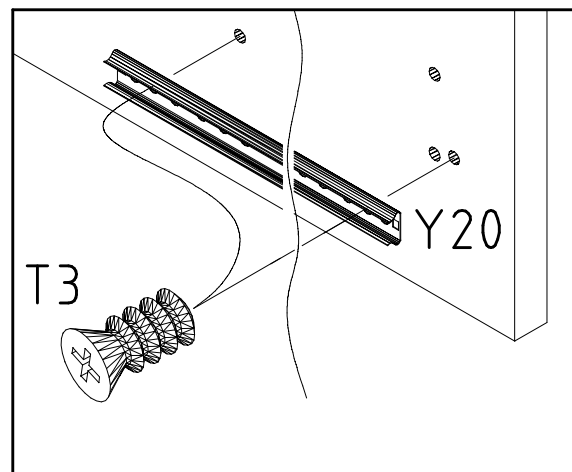
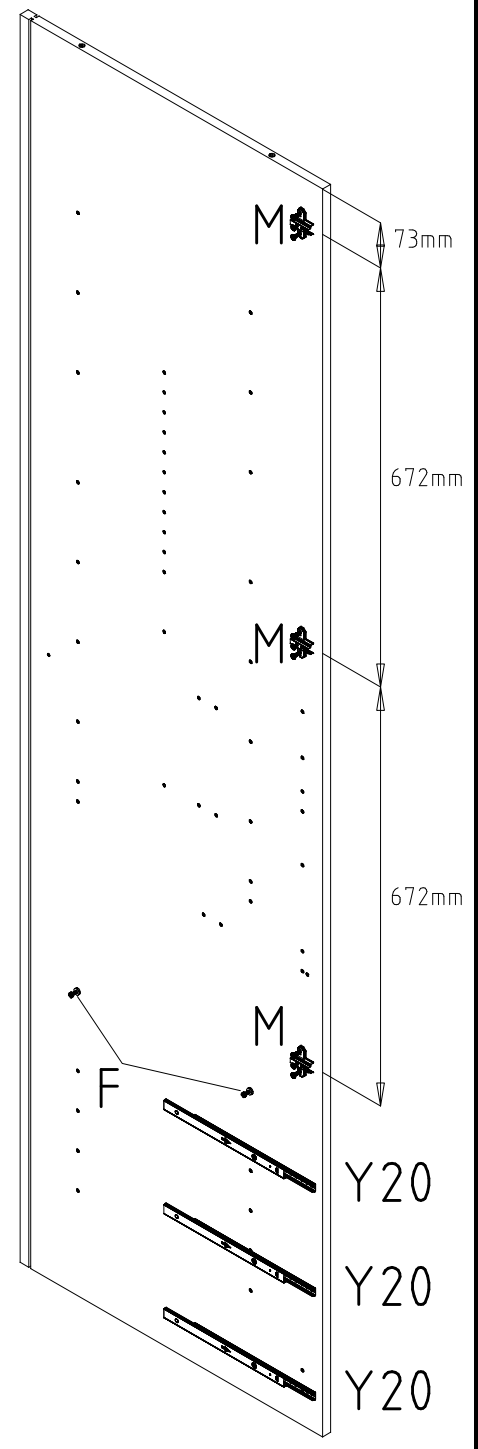
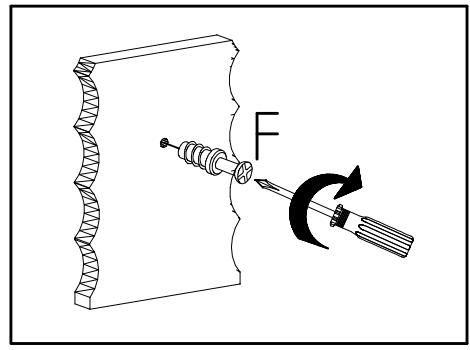
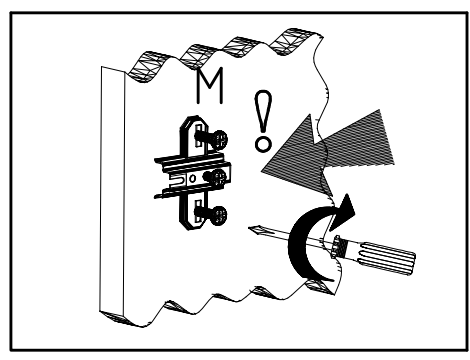
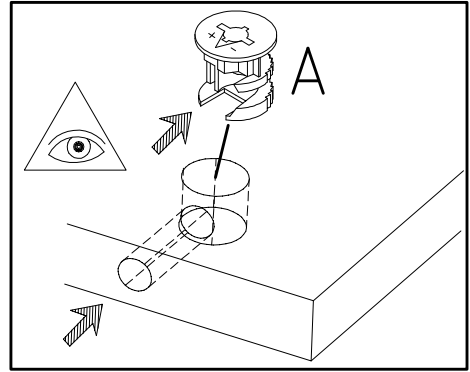
111 102



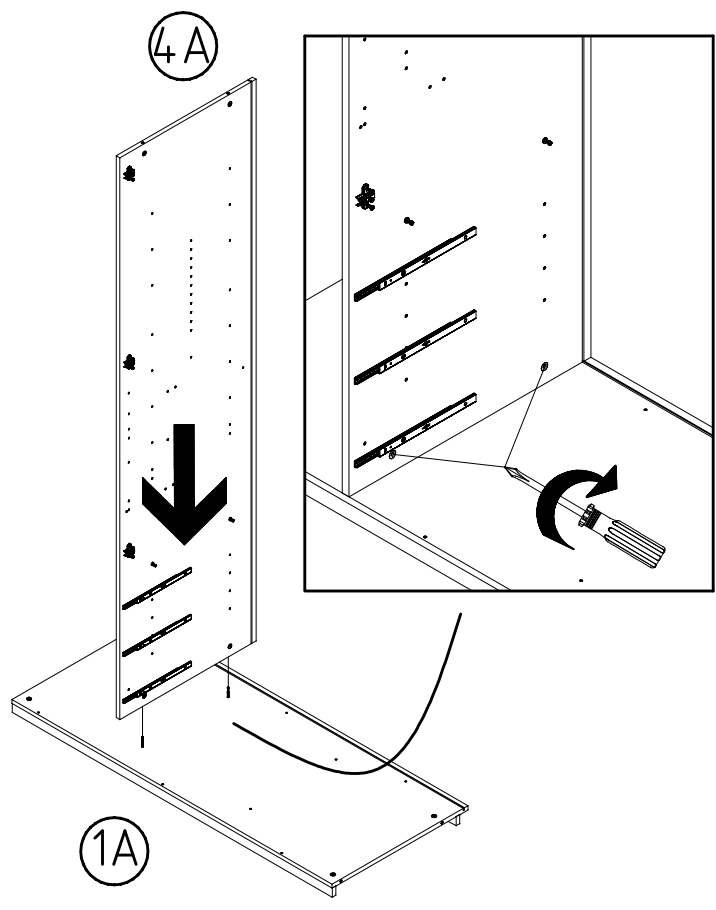
112 268



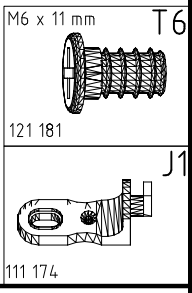
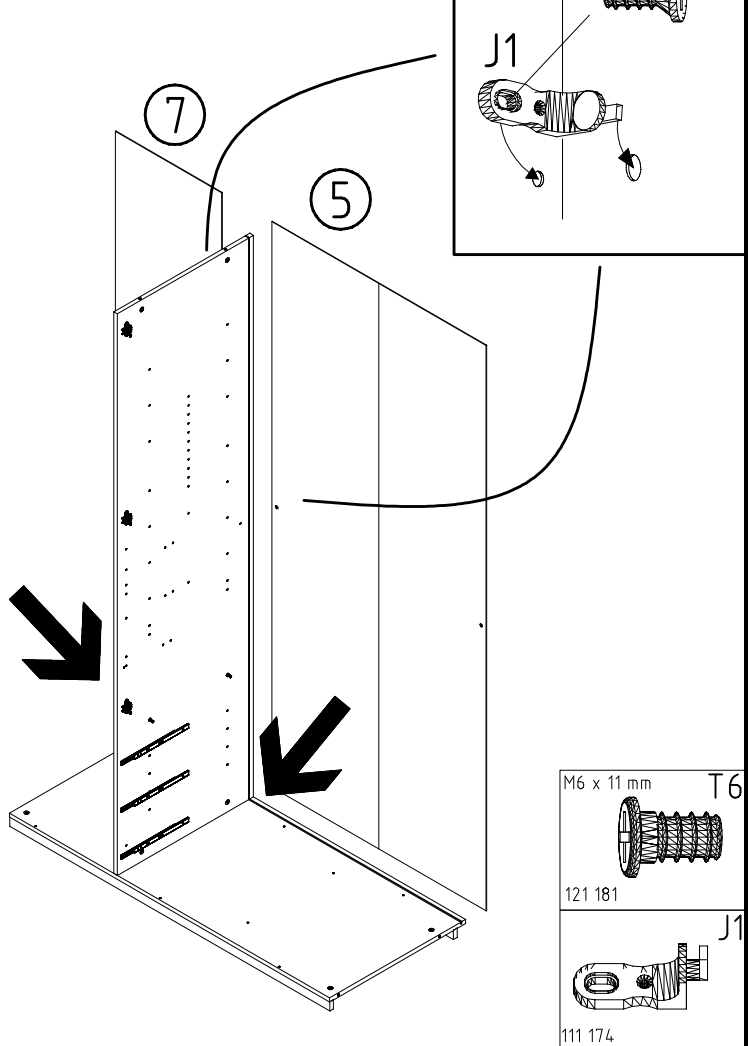
④  
= 4B



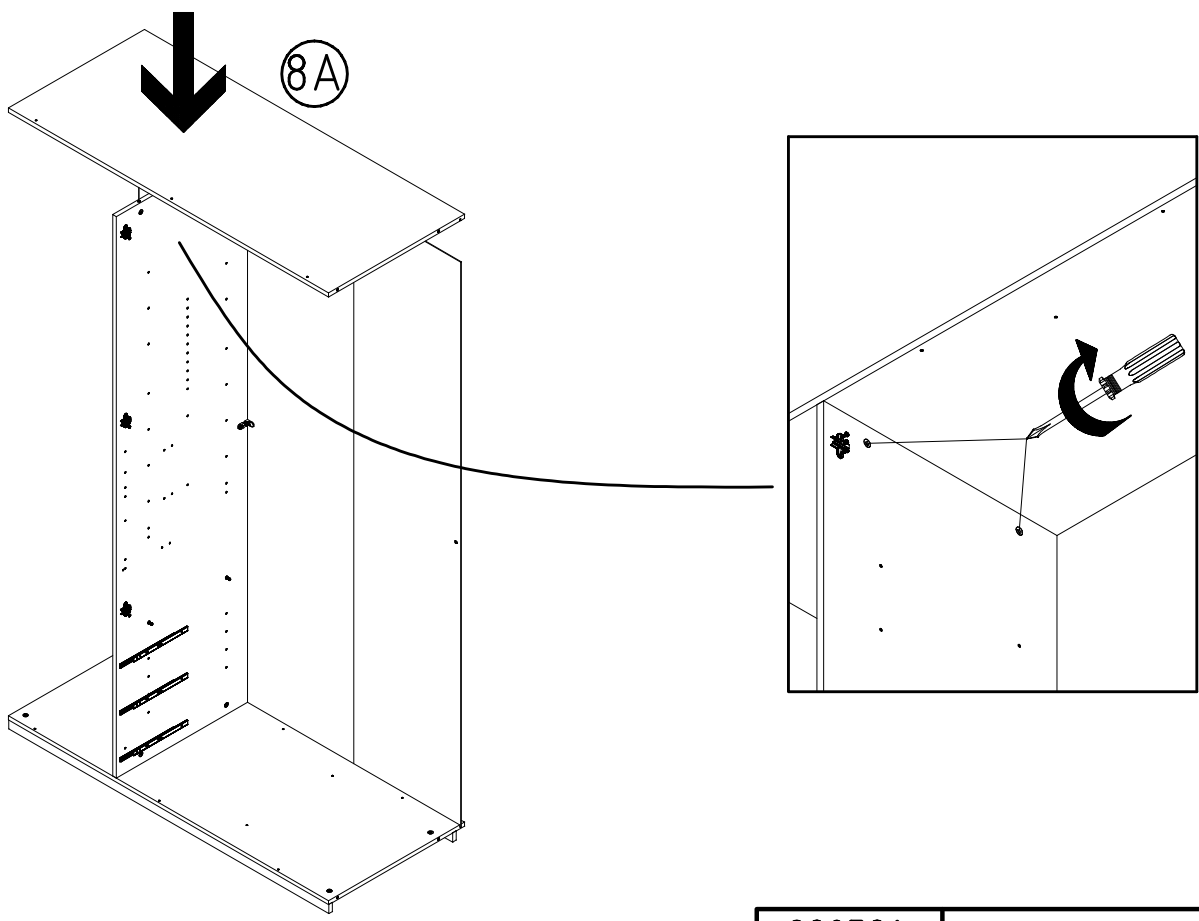
11



12



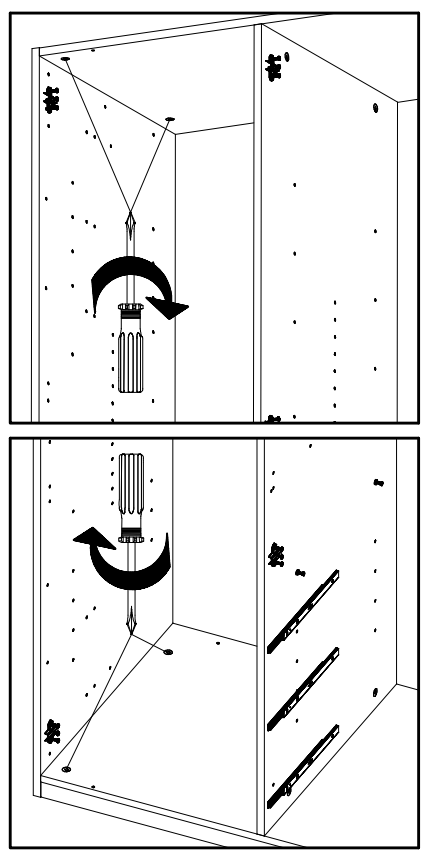
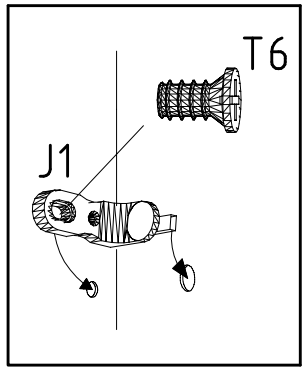
13



14

M6 x 11 mm T6 J1  
121 181 111 174

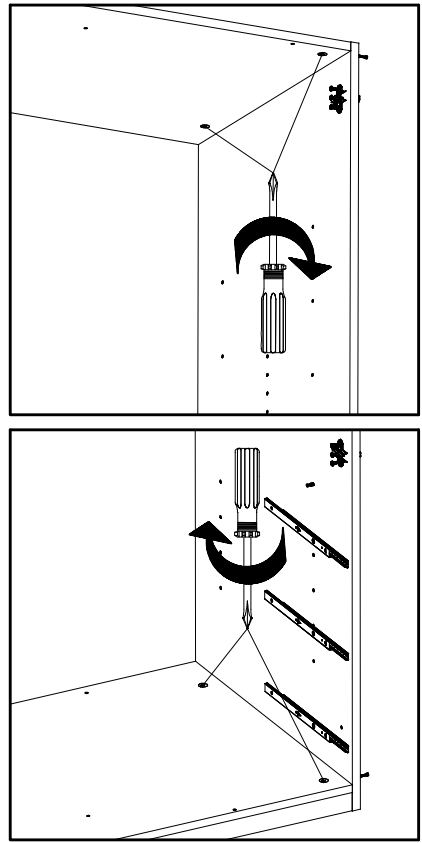
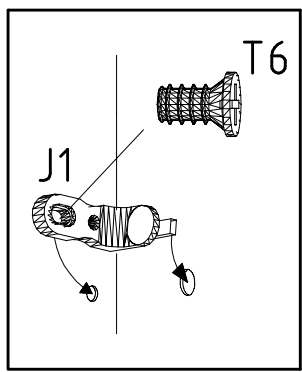
9A



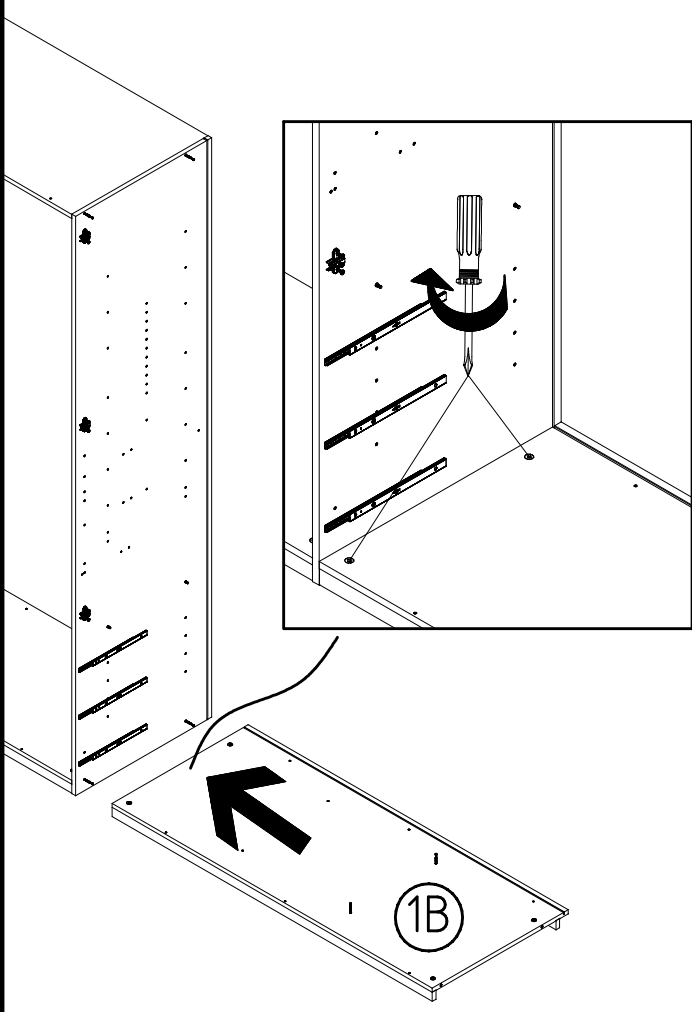
15

M6 x 11 mm T6 J1  
121 181 111 174

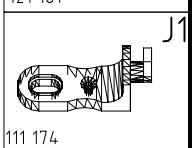
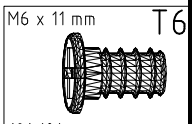
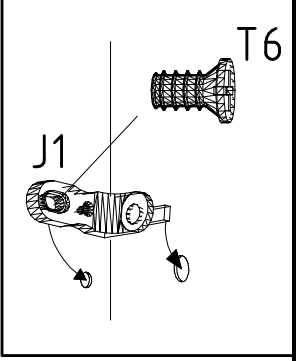
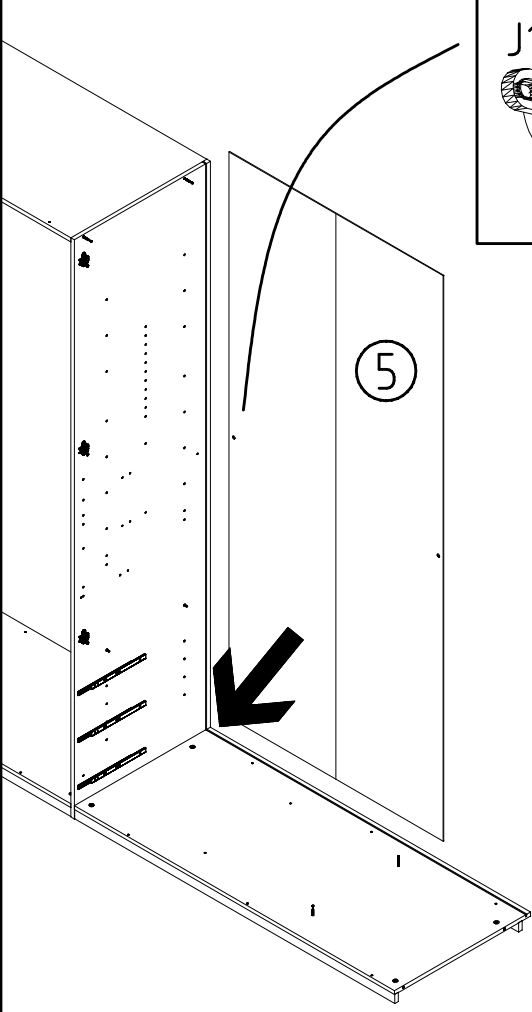
6



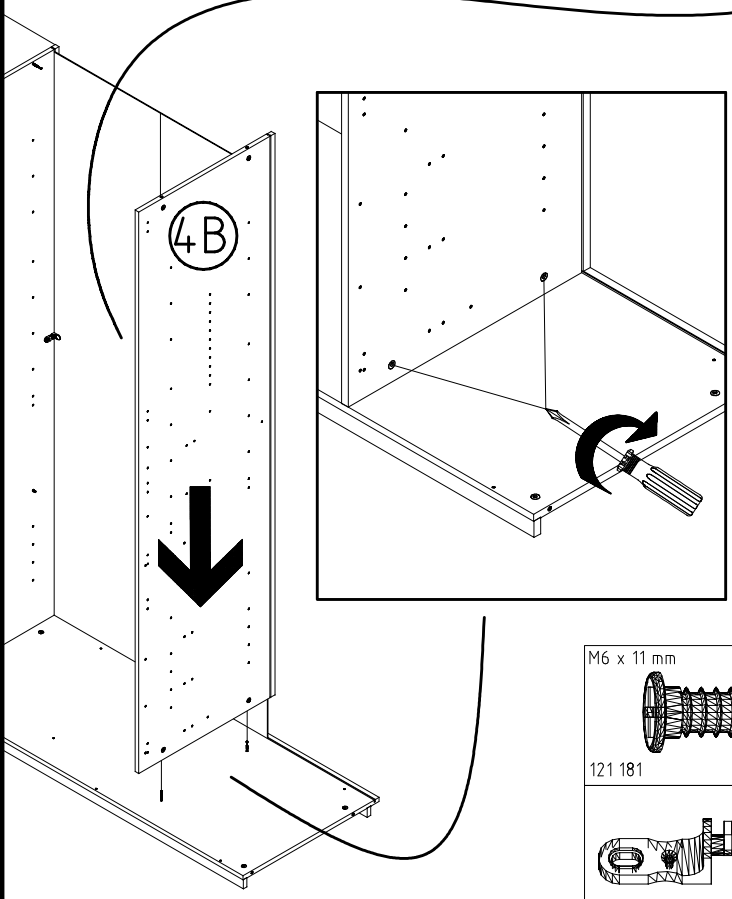
16



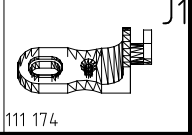
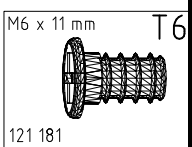
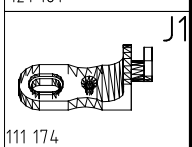
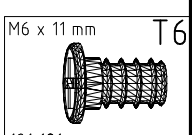
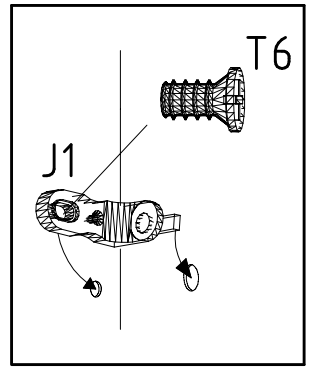
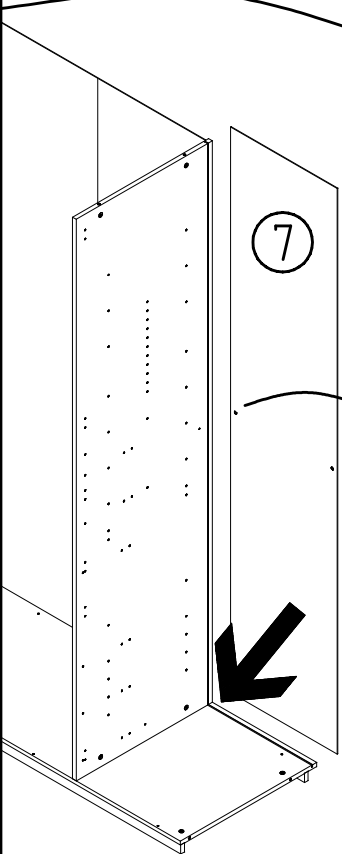
17



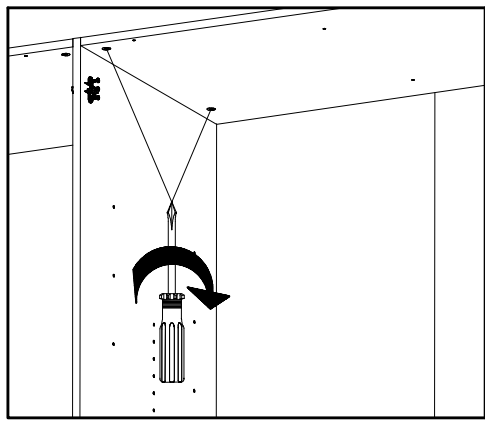
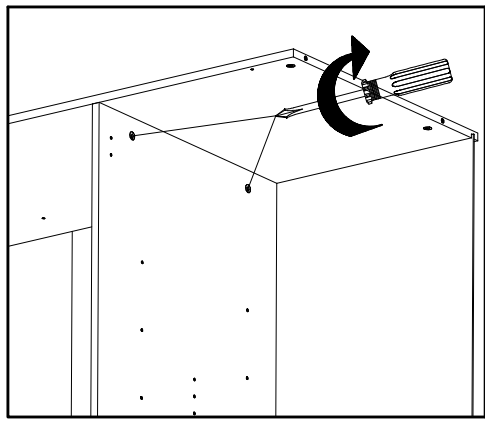
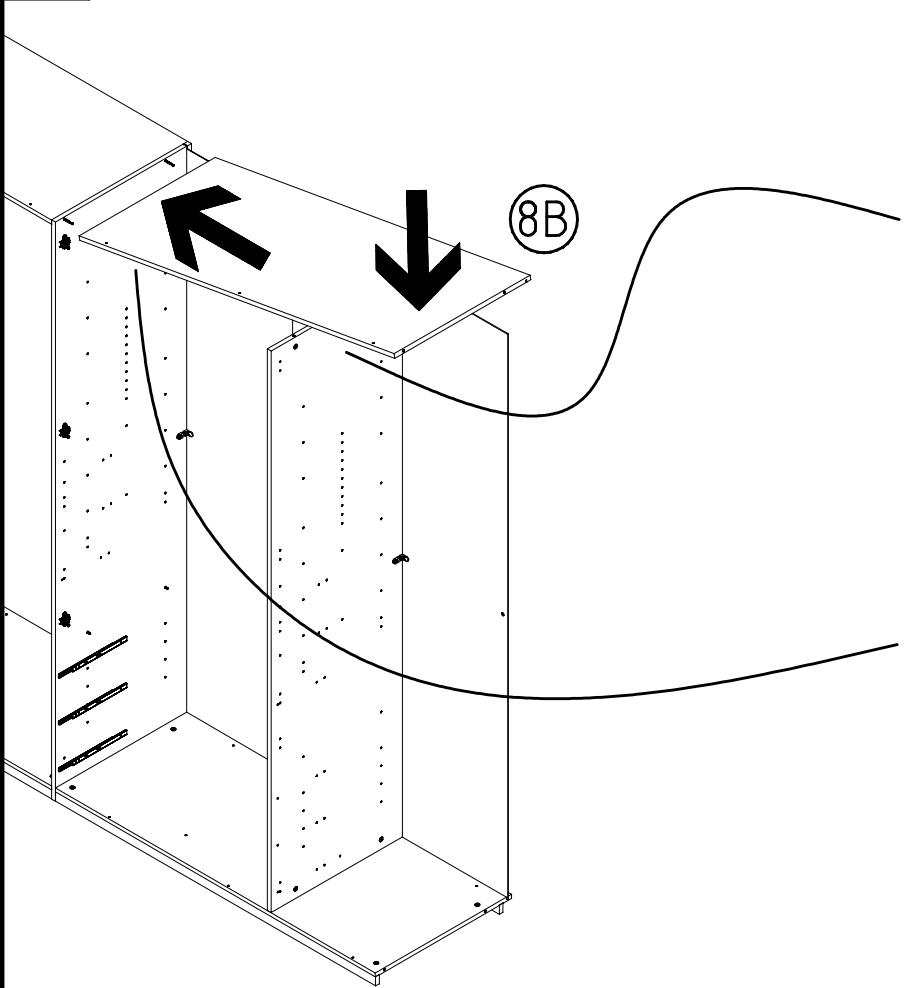
18



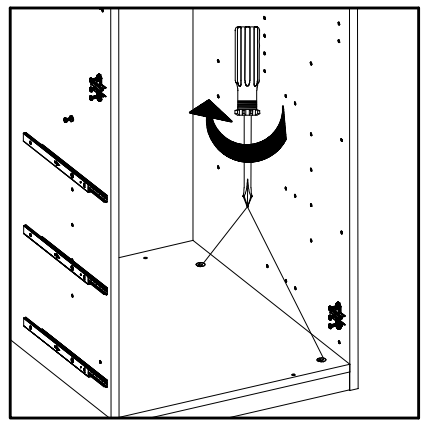
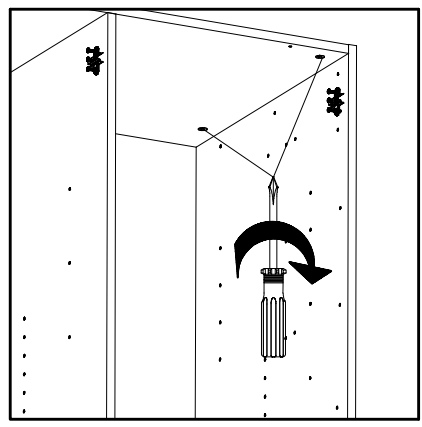
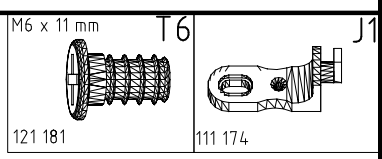
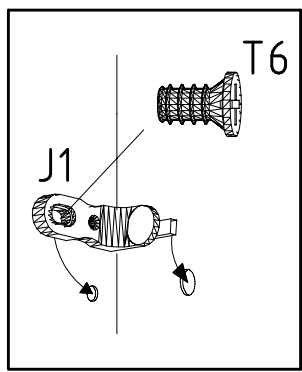
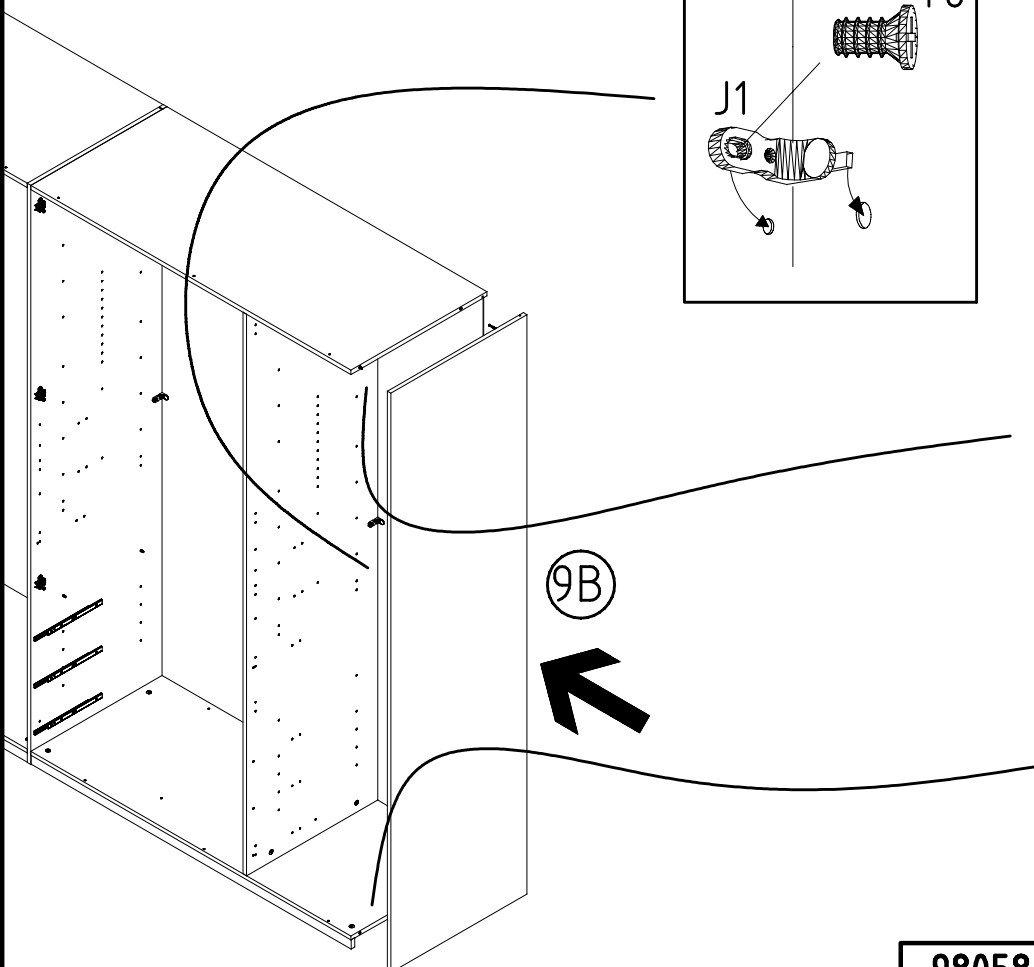
19



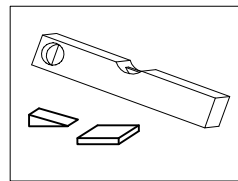
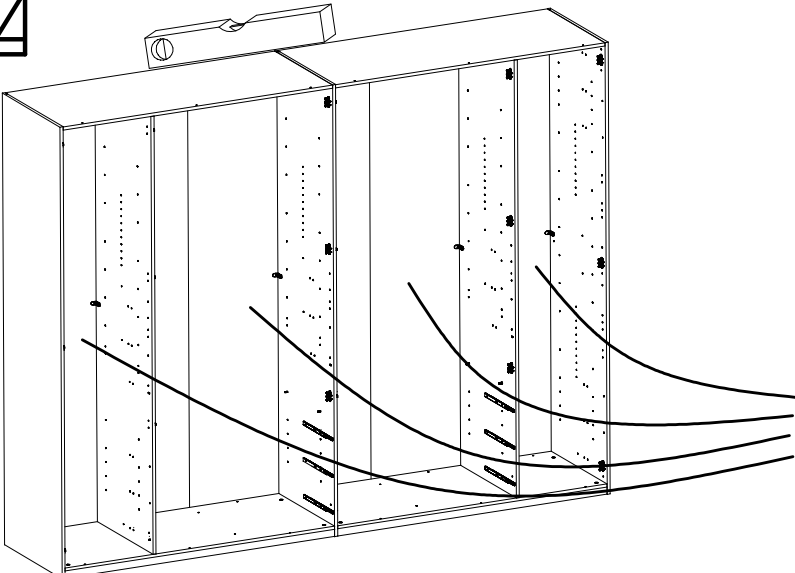
20



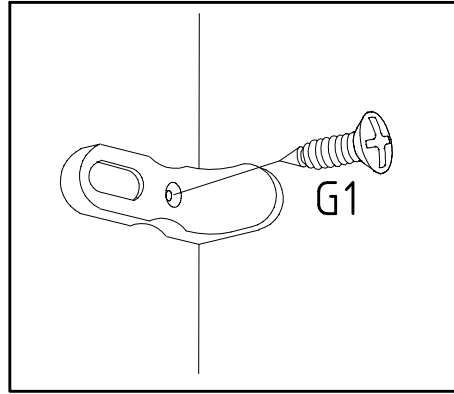
21



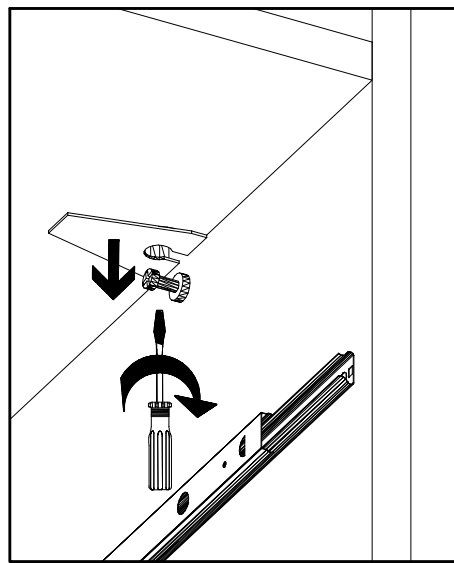
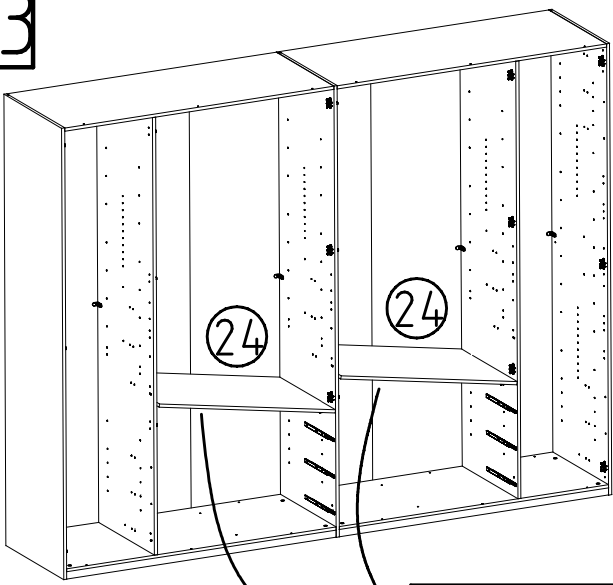
22



3,5 x 15 mm G1  
121 370

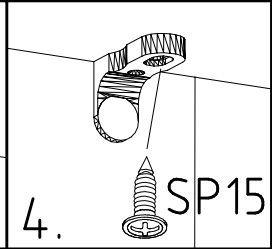
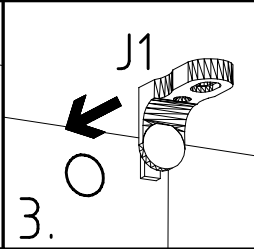
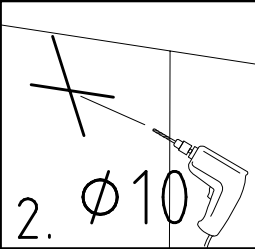
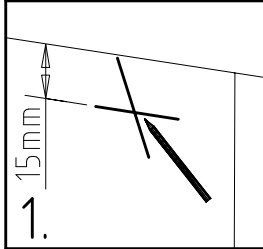


23

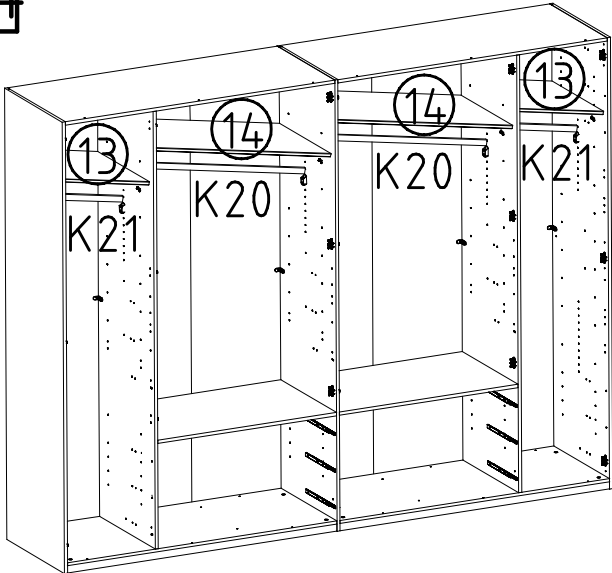


SP15  
4 X 15mm  
121 120

J1  
111 174



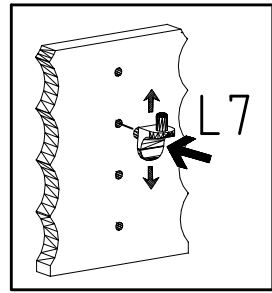
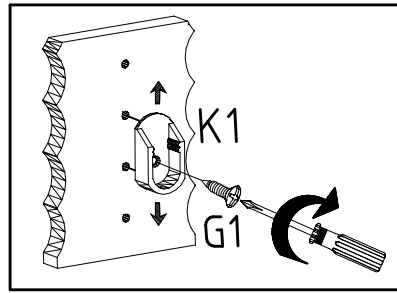
24



3,5 x 15 mm G1 121 370

L7 111 610

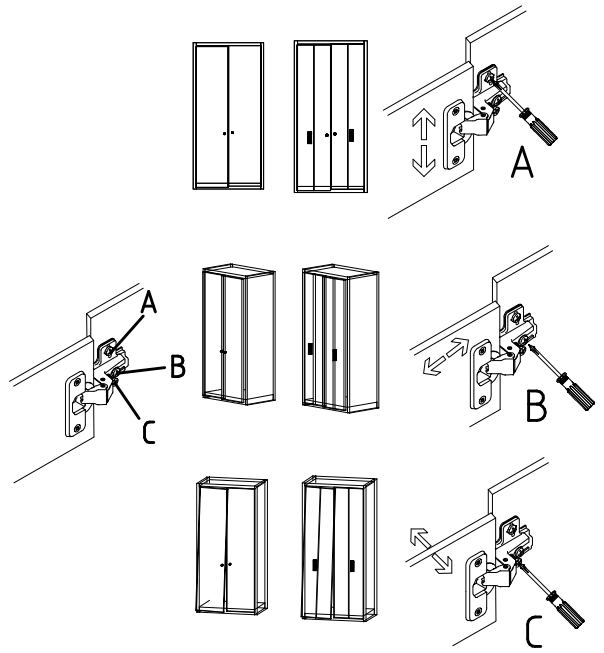
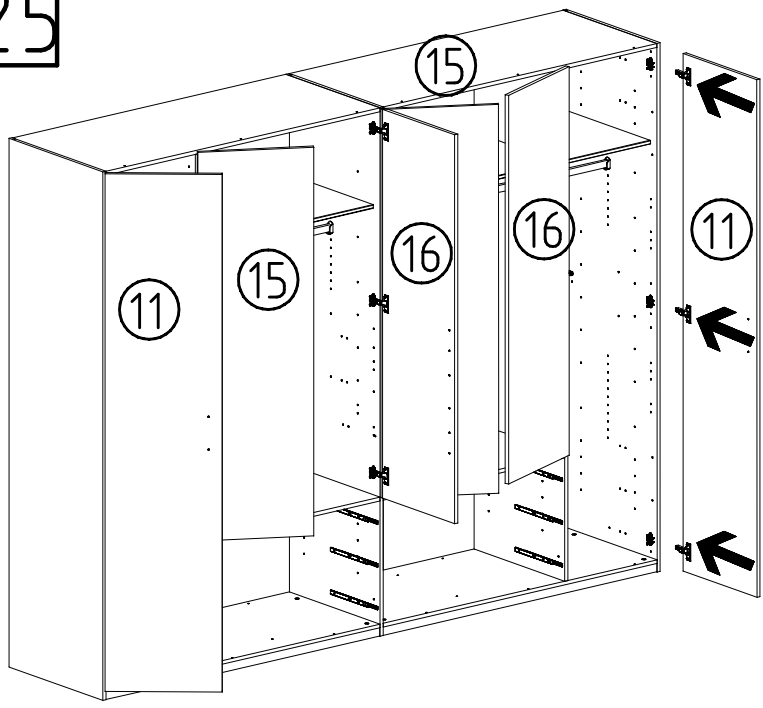
K1 117 001



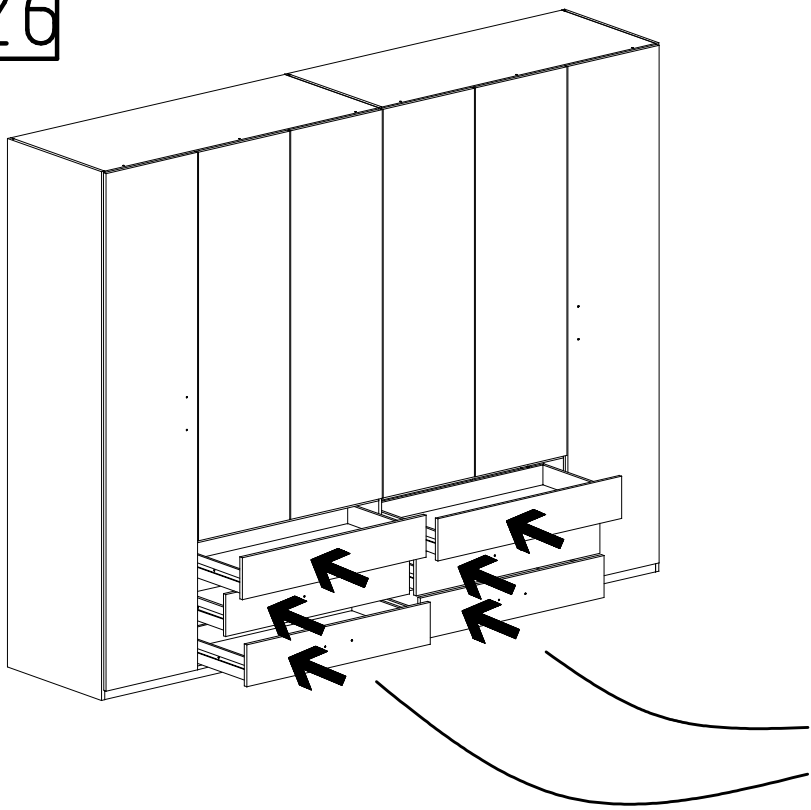
K21 424mm 112 403

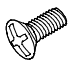
K20 870mm 112 402

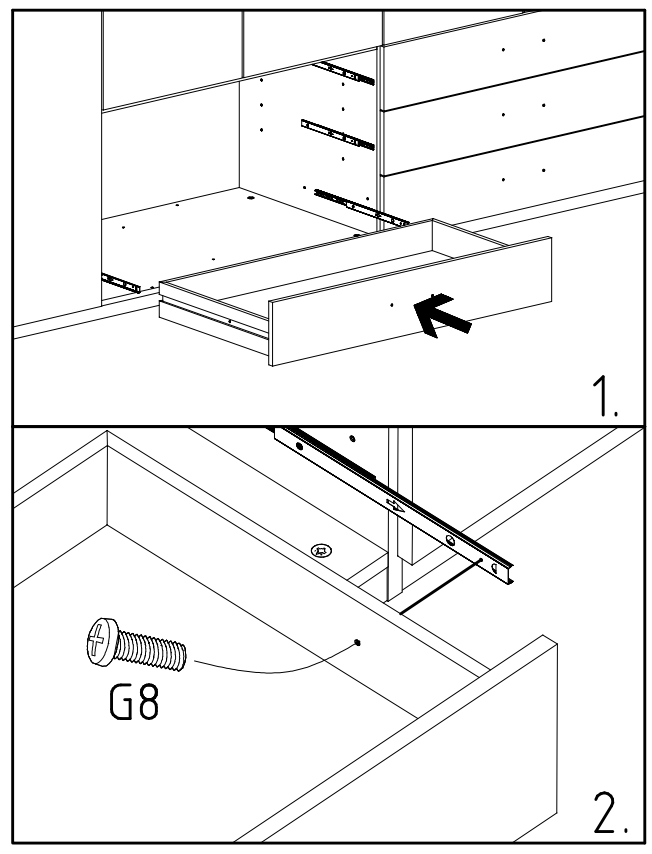
25



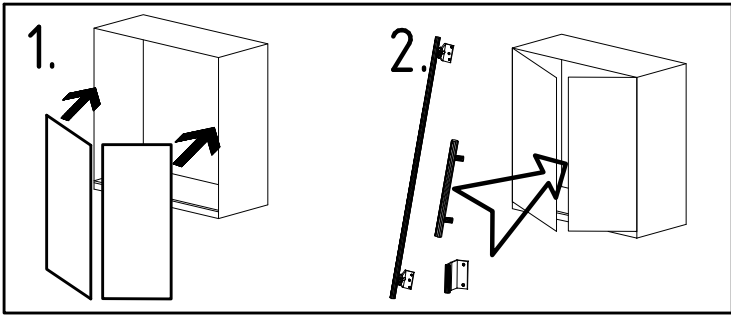
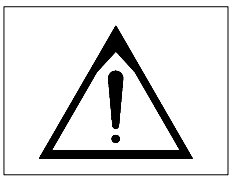
26



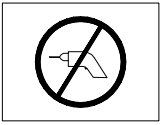
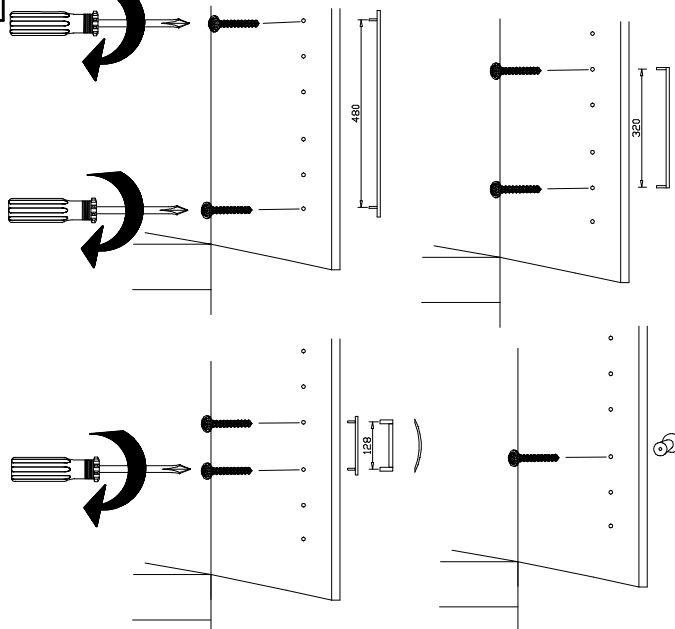
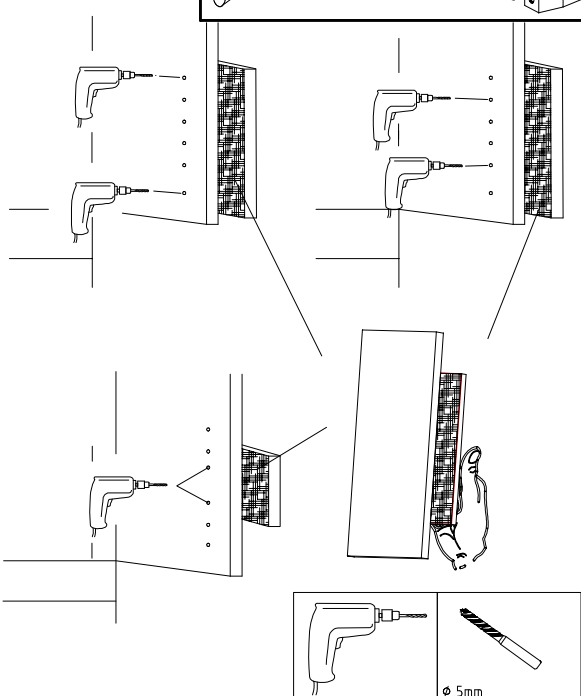
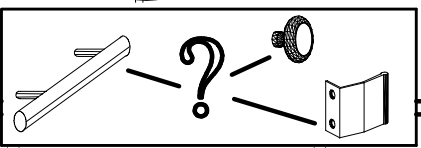
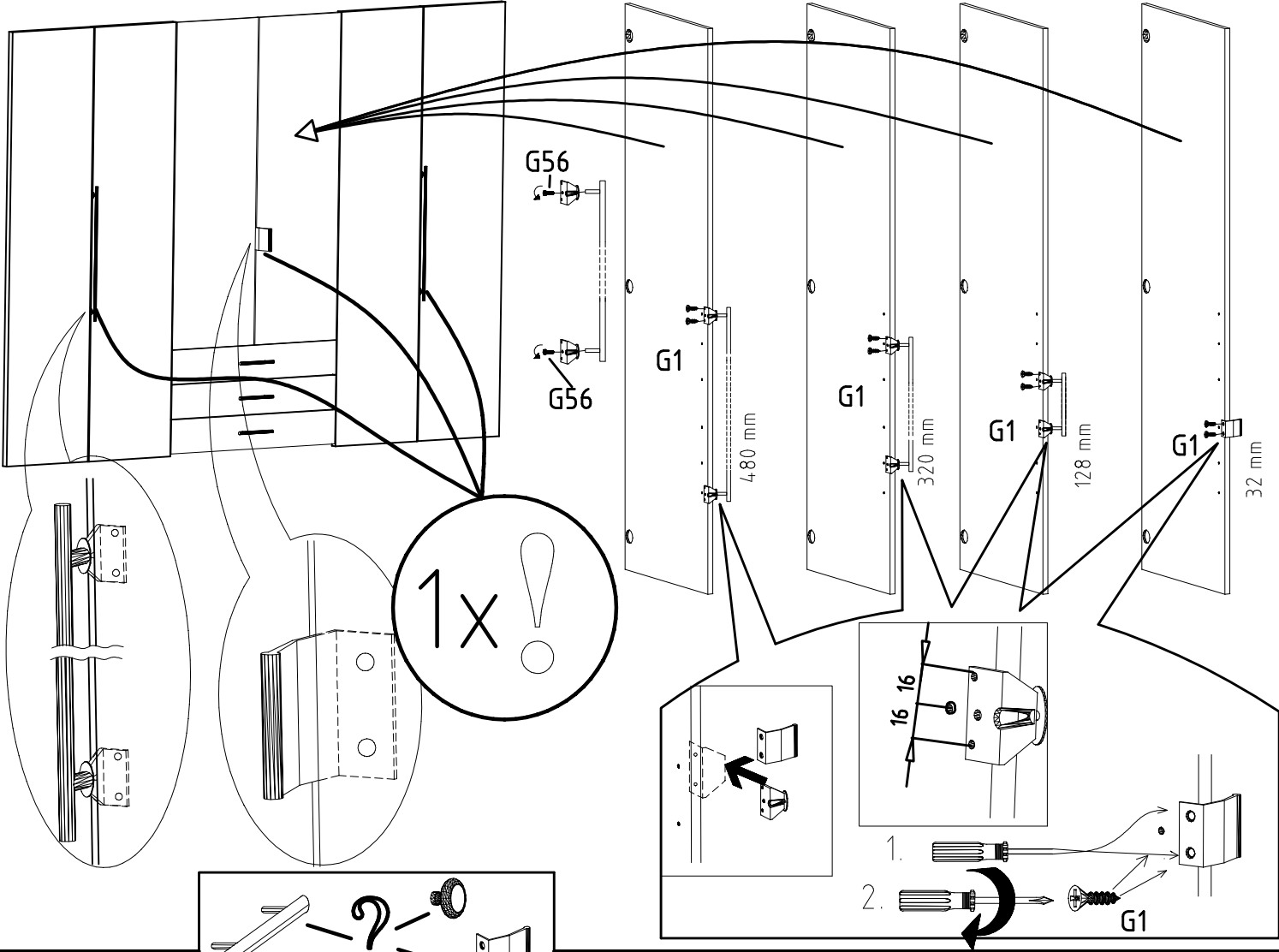
M4 x 9 mm **G8**  
  
 111 015







|                        |    |                        |     |
|------------------------|----|------------------------|-----|
| 3,5 x 15 mm<br>121 370 | G1 | 4,0 x 12 mm<br>122 625 | G56 |
|------------------------|----|------------------------|-----|



|          |      |
|----------|------|
|          | SP27 |
| 4 X 27mm |      |
| 122620   |      |
| 4,0x22   | G49  |
|          |      |
| 122 609  |      |

