

3001205

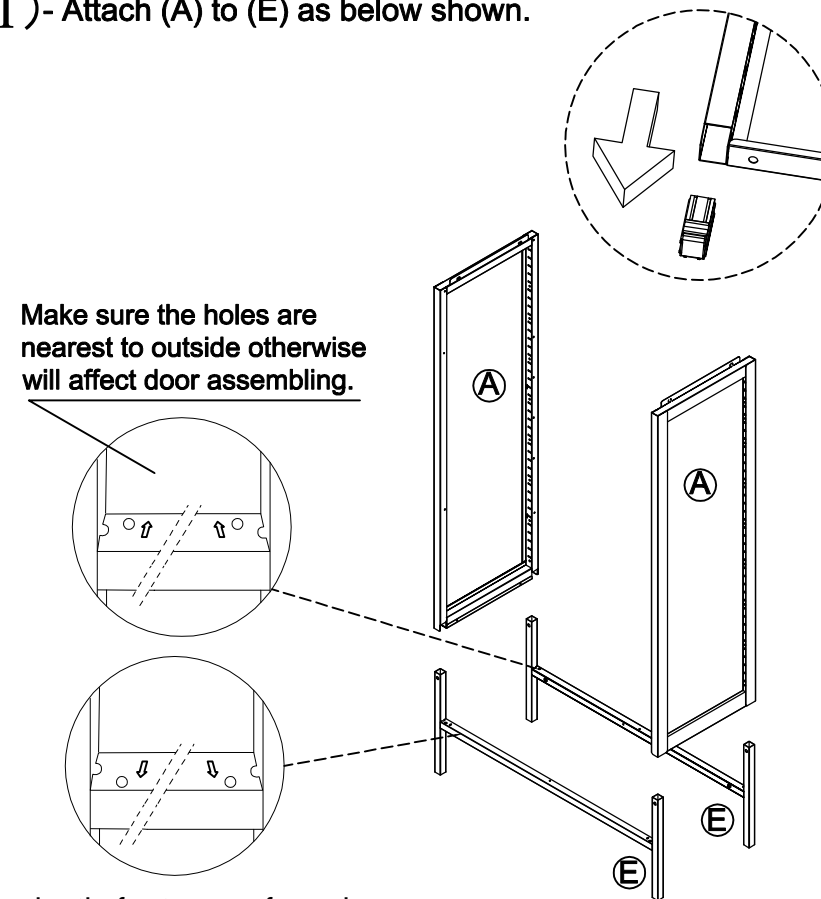
Adelaide Steel Cabinet w.
Rippled Glass Door
Black-Double Door



 Ø5*12mm ① x34 spare:2	 Ø6*30mm ② x2	 Ø12*0.8mm ③ x2 spare:2	 Ø4*6mm ④ x2 spare:2
 Ø9*0.8mm ⑤ x2 spare:2	 ⑥ x2	 ⑦ x4 spare:2	 ⑧ x4
 Ø8*38mm ⑨ x2	 Ø4*38mm ⑩ x2		

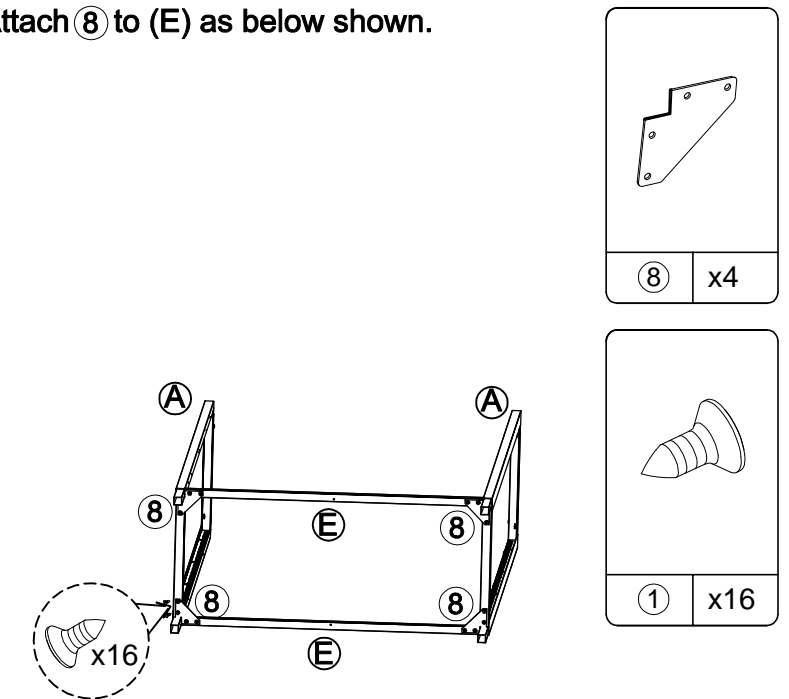
(1) - Attach (A) to (E) as below shown.

Make sure the holes are nearest to outside otherwise will affect door assembling.

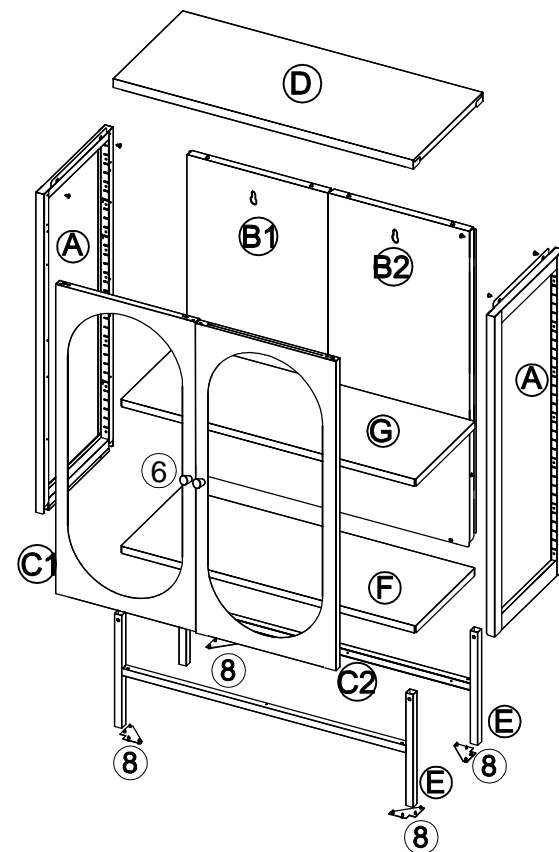


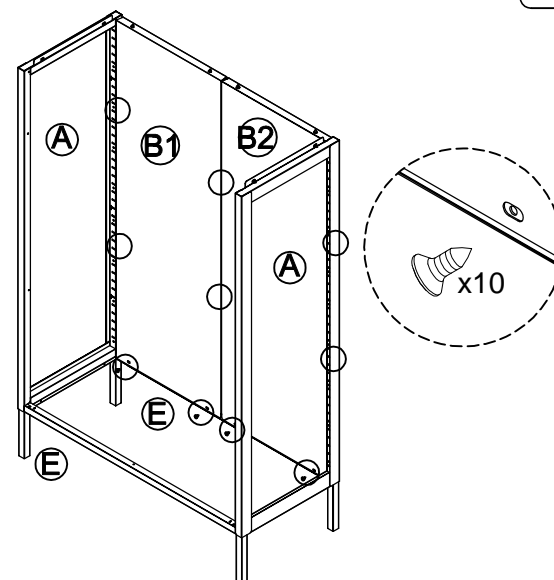
The plastic foot cover face down

(2) - Attach ⑧ to (E) as below shown.

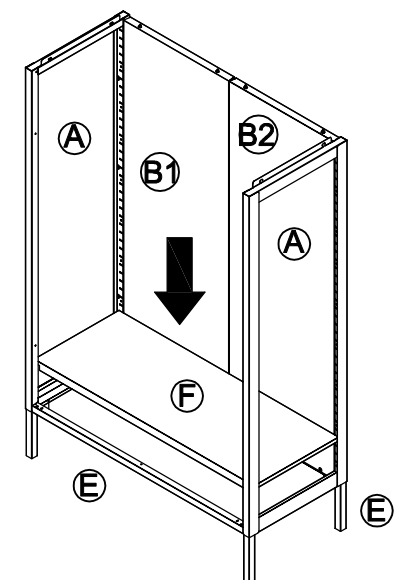


(3) - Attach (B) to (A) & (E) as below shown.

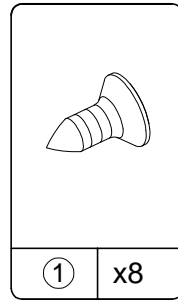
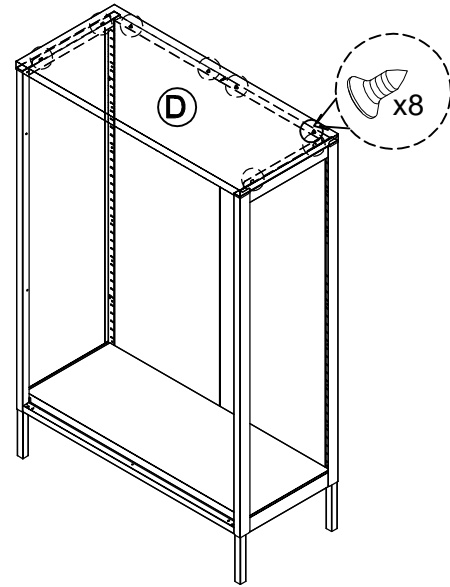


① x10


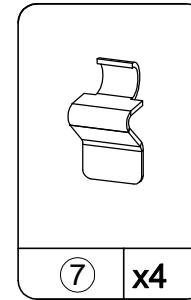
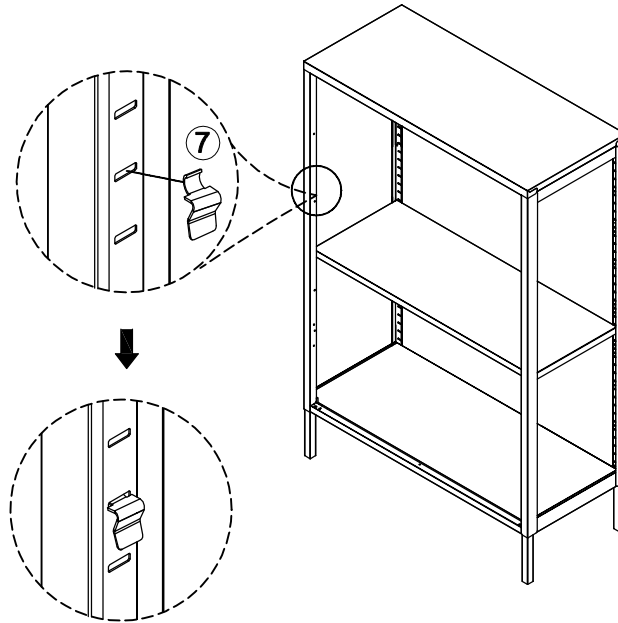
(4) - Attach (F) to (A) & (B) & (E) as below shown.



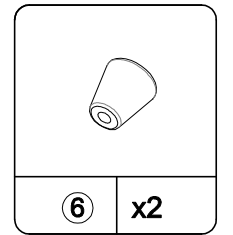
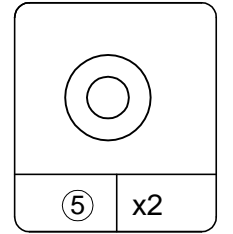
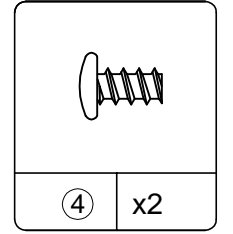
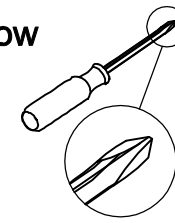
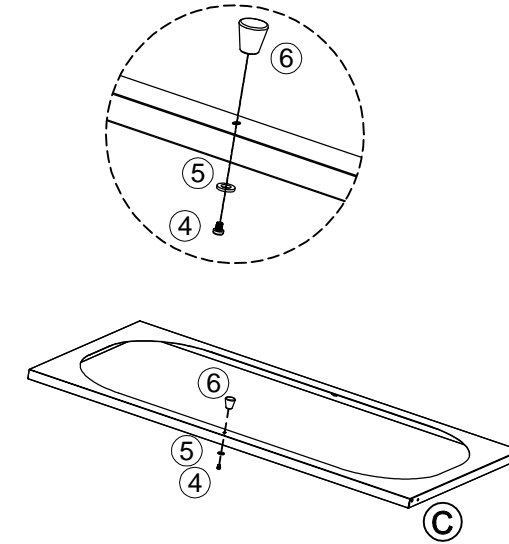
(5) - Attach (D) to (A) as below shown.



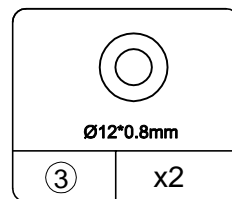
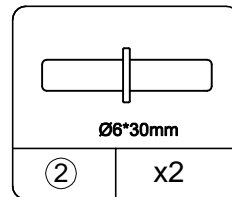
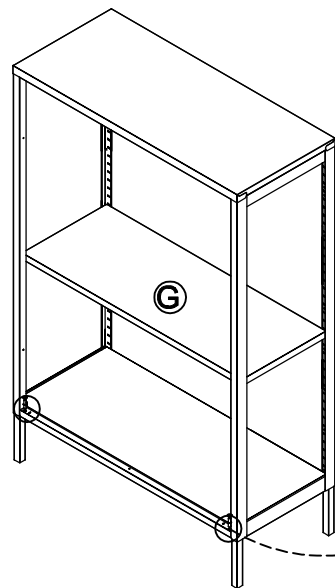
(6) - Attach (G) to pre-assembled unit as below shown.



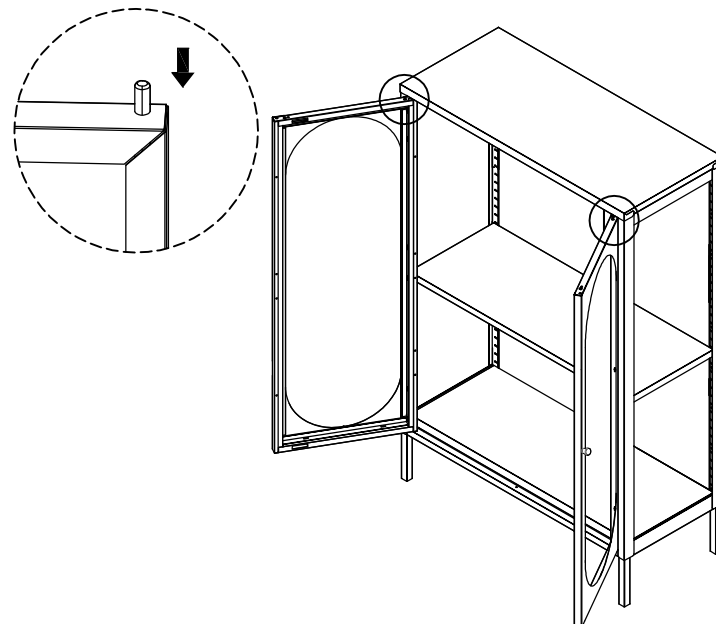
(7) - Attach (6) to (C) as below shown.



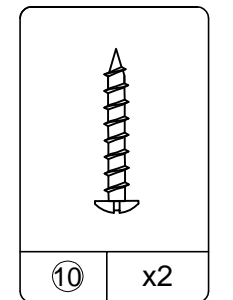
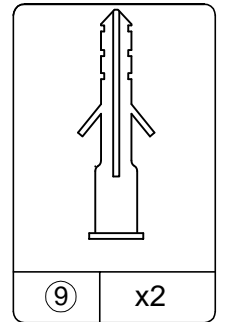
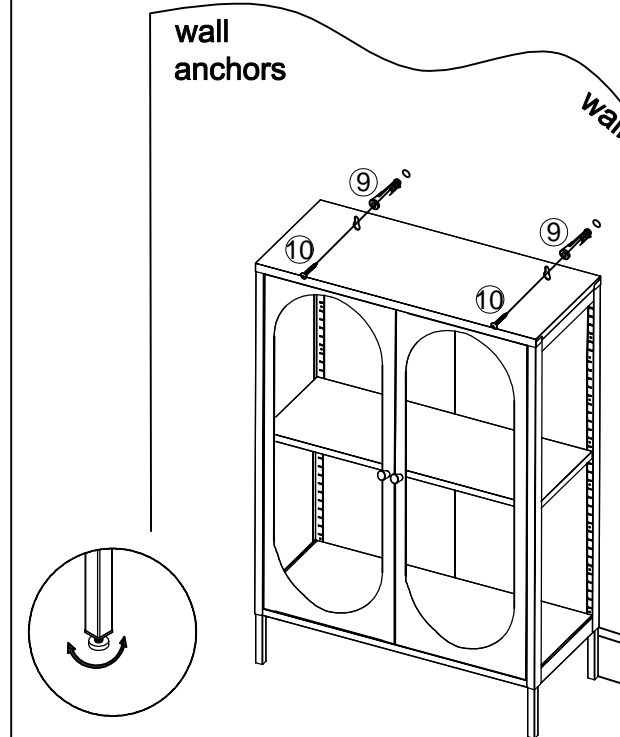
(8) - Attach (2) & (3) to pre-assembled unit as below shown.



(9) - Attach (C) to pre-assembled unit as below shown.



(10)



Gaps may appear between the top of the doors and the frame if the item is not on level ground; use the plastic foot cover to level.