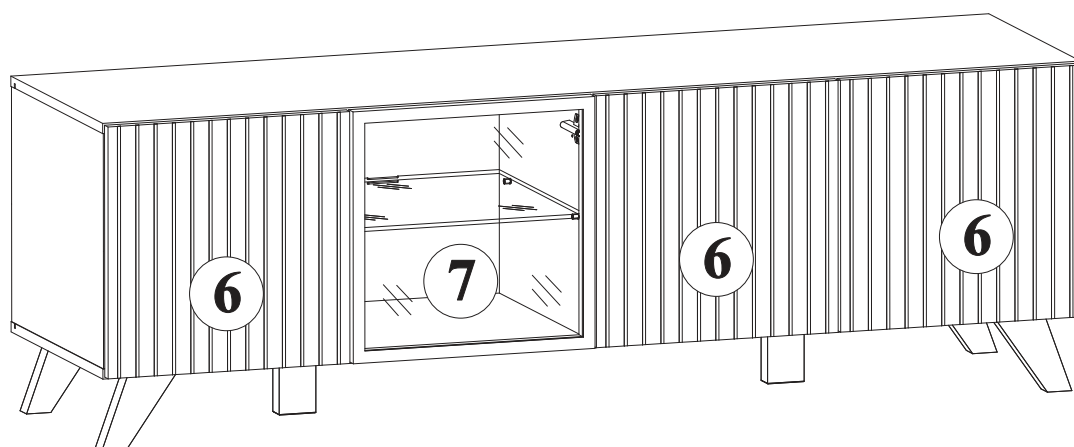
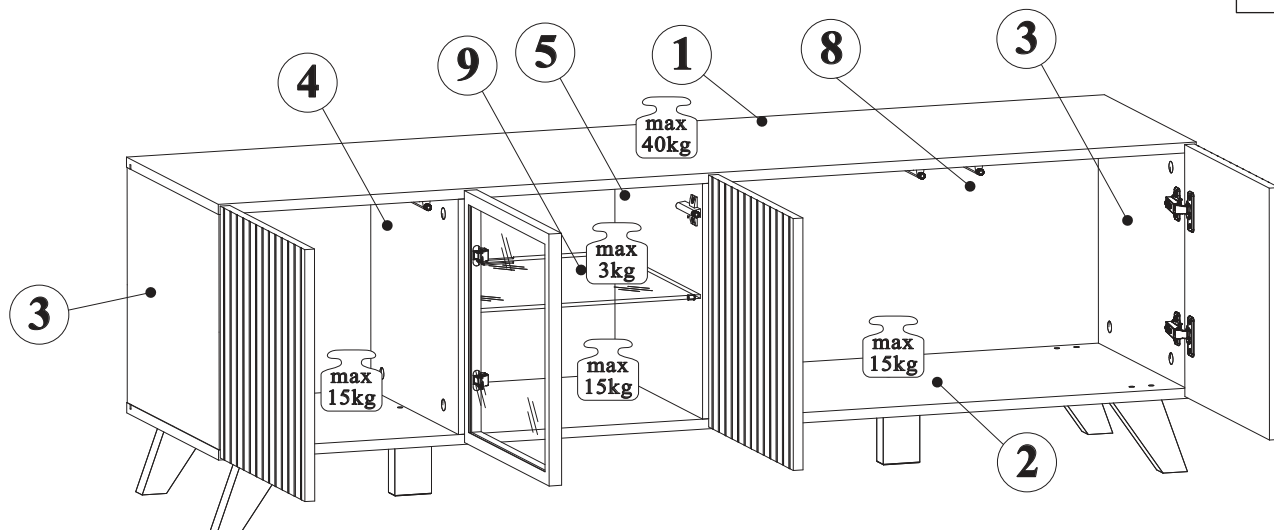
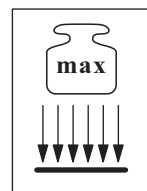
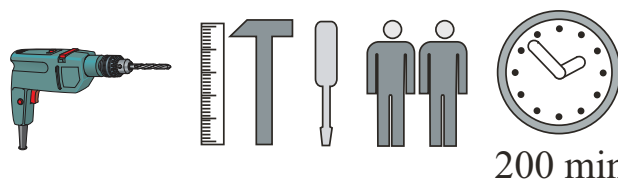


TV komoda SEAN- _____ LM RTV

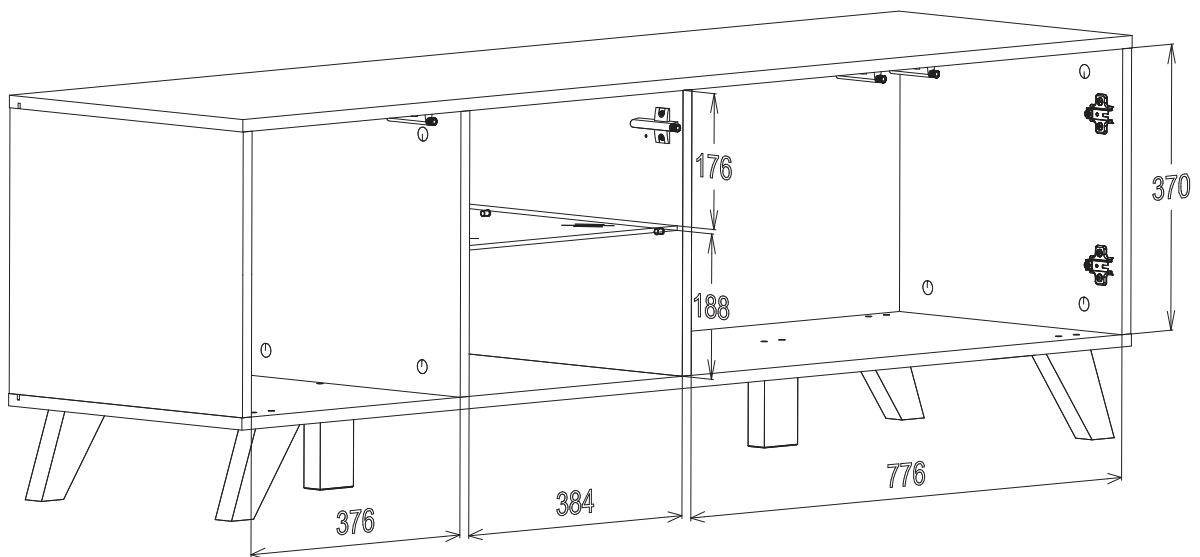
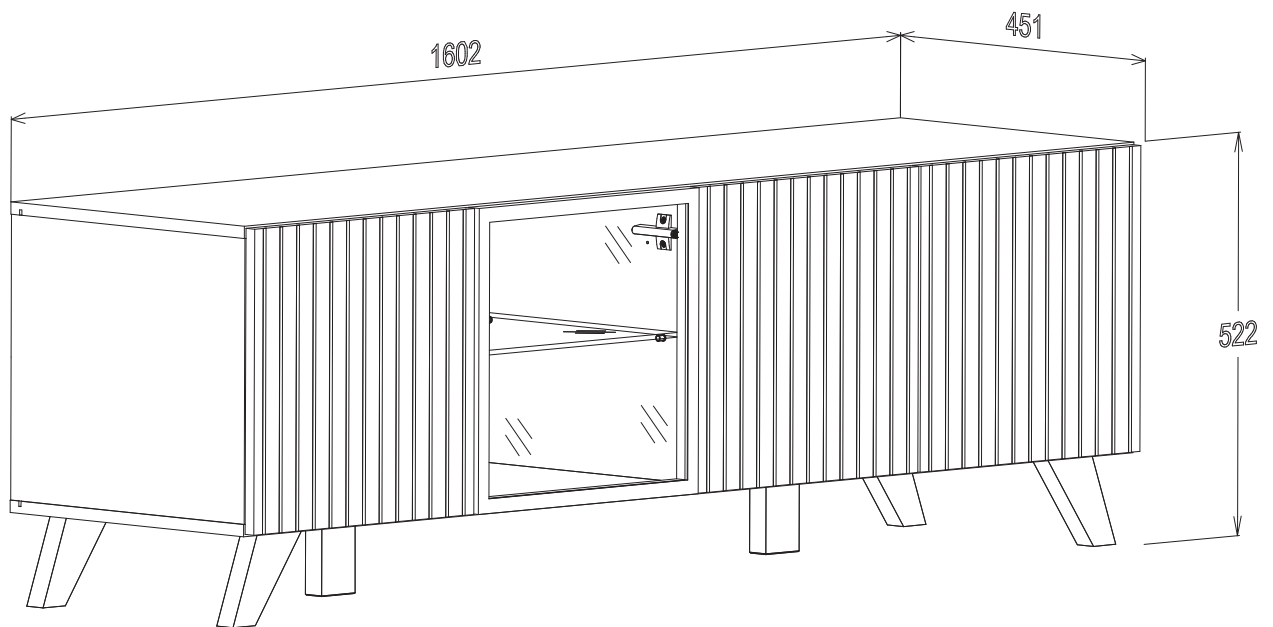


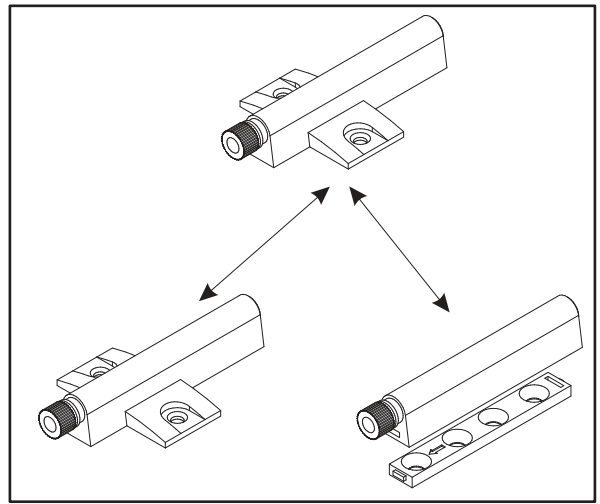
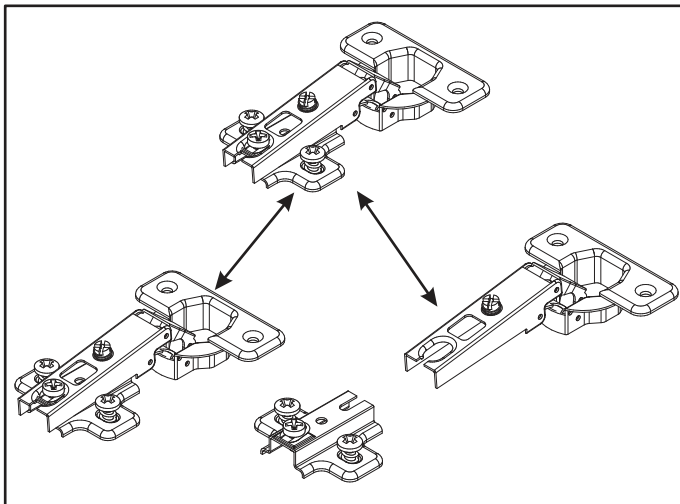
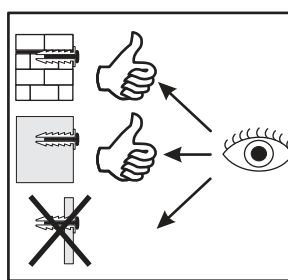
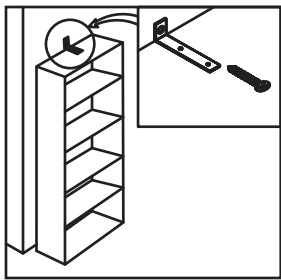
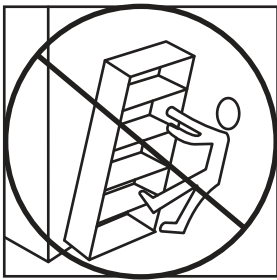
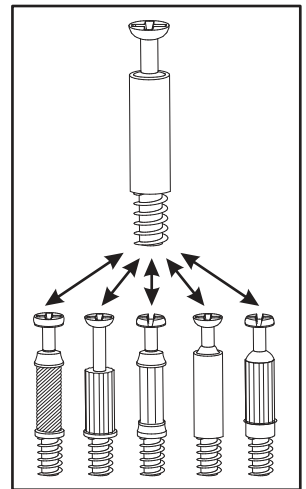
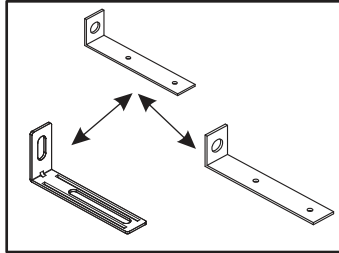
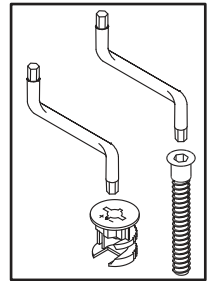
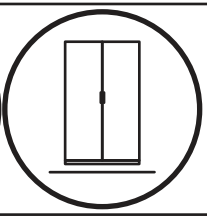
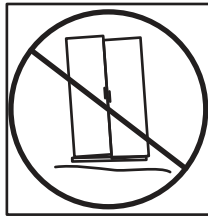
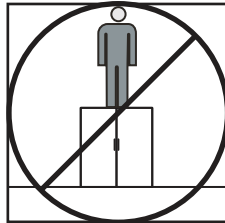
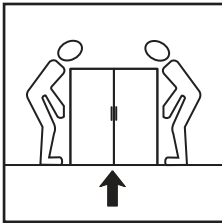
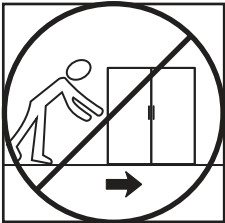
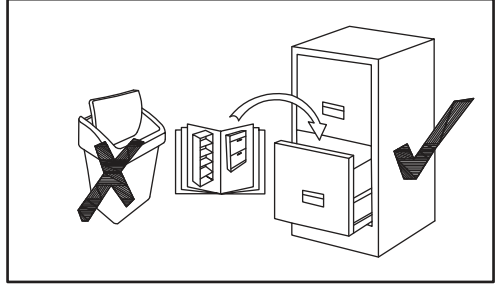
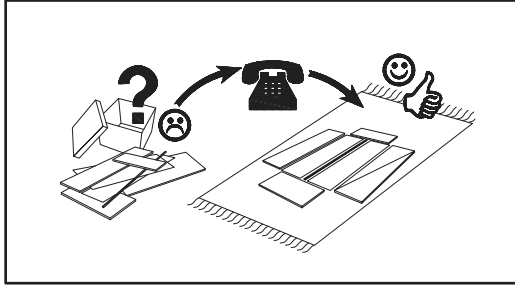
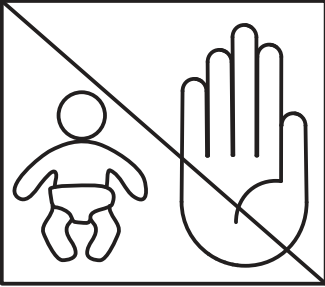
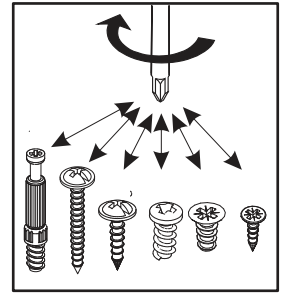
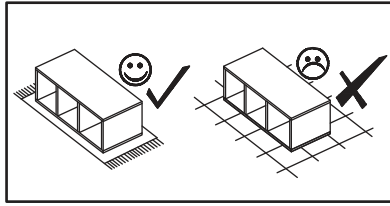
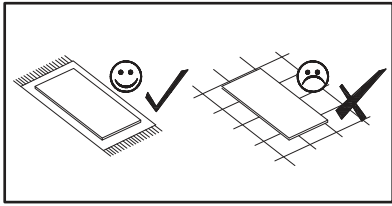
NO	DIM [mm]		COL.-NO	QTY
1	1602	430	16 2/2	1
2	1602	430	16 2/2	1
3	370	430	16 1/2	2
4	370	410	16 1/2	2
5	370	410	16 1/2	2
6	396	396	16 1/2	3
7	396	396	21 1/2	1
8	1580	382	3 2/2	1
9	400	383	6 1/2	1

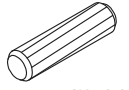


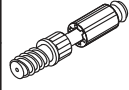


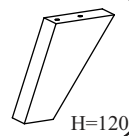
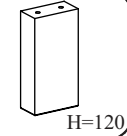
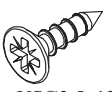
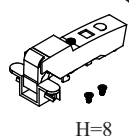
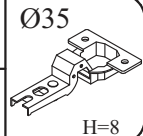
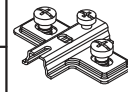
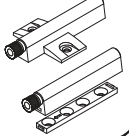
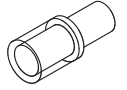
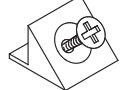
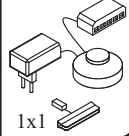
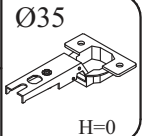
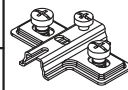
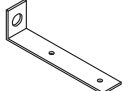


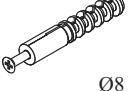


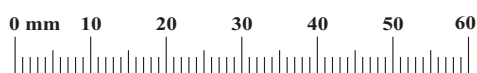
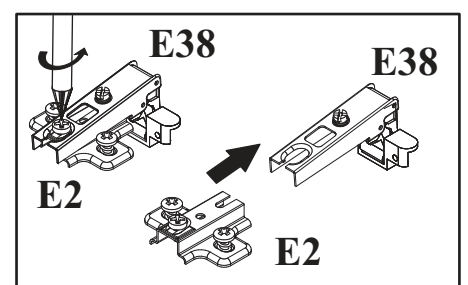
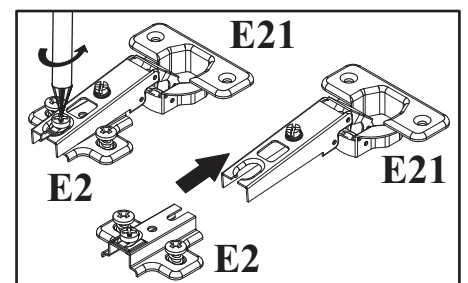
200 min

TV komoda SEAN__LM RTV





A1 x16  Ø8x36	B11 x12  Ø7x50	G4 x12 	B4 x16 	B5 x16  Ø15x12	G5 x16 
SK x4  H=120	SP x2  H=120	D10 x24  USØ3,5x13	E31 x2  H=8	E23 x2  Ø35 H=8	E4 x4  H=2
T3/T5 x4 	G20 x4 	S1 x12 	LED x1  1x1	E21 x4  Ø35 H=0	E2 x4  H=0
L1 x2 	G2 x1 	UP13 x6  UPØ3x16	KR1 x2  Ø8		

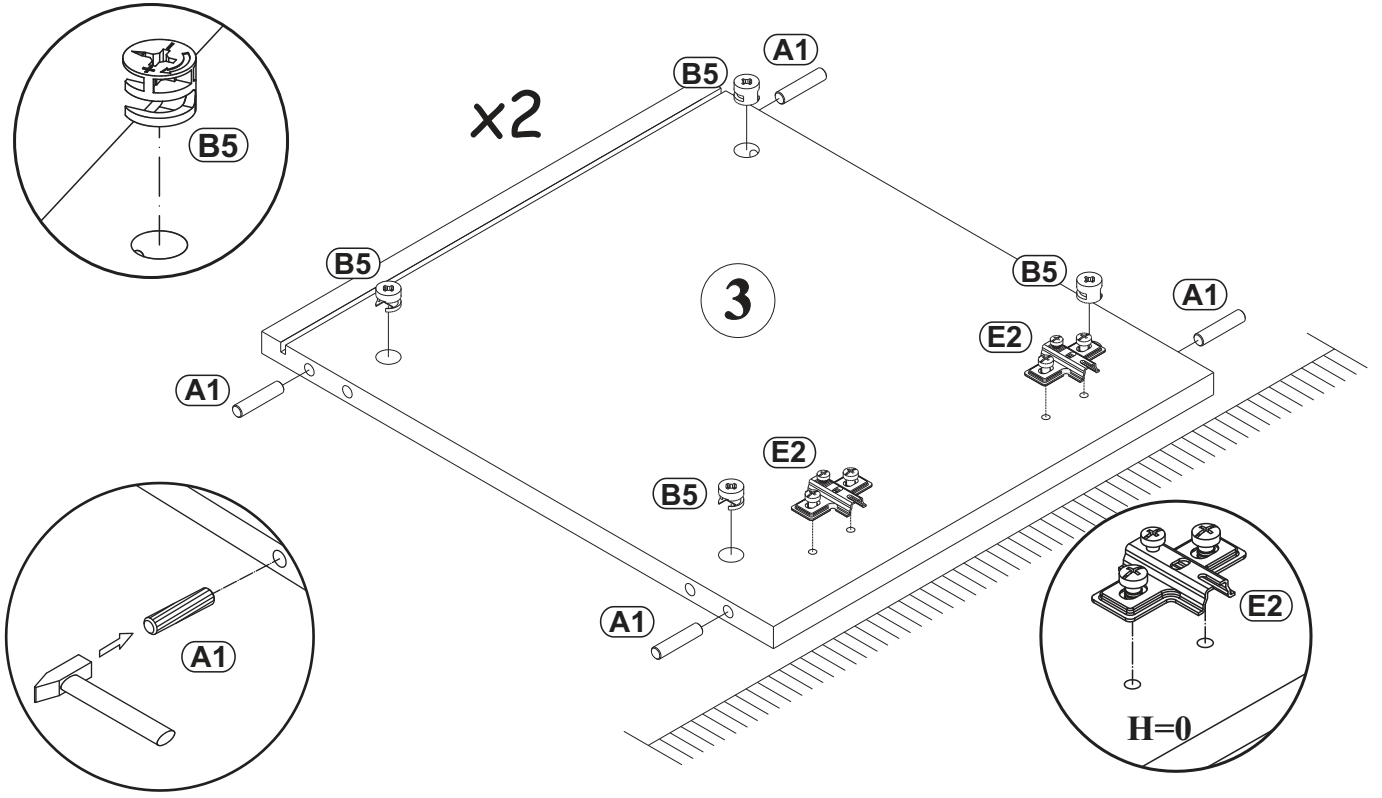


E2	
x4	H=0

A1	
x8	ø8x36

B5	
x8	Ø15x12

1



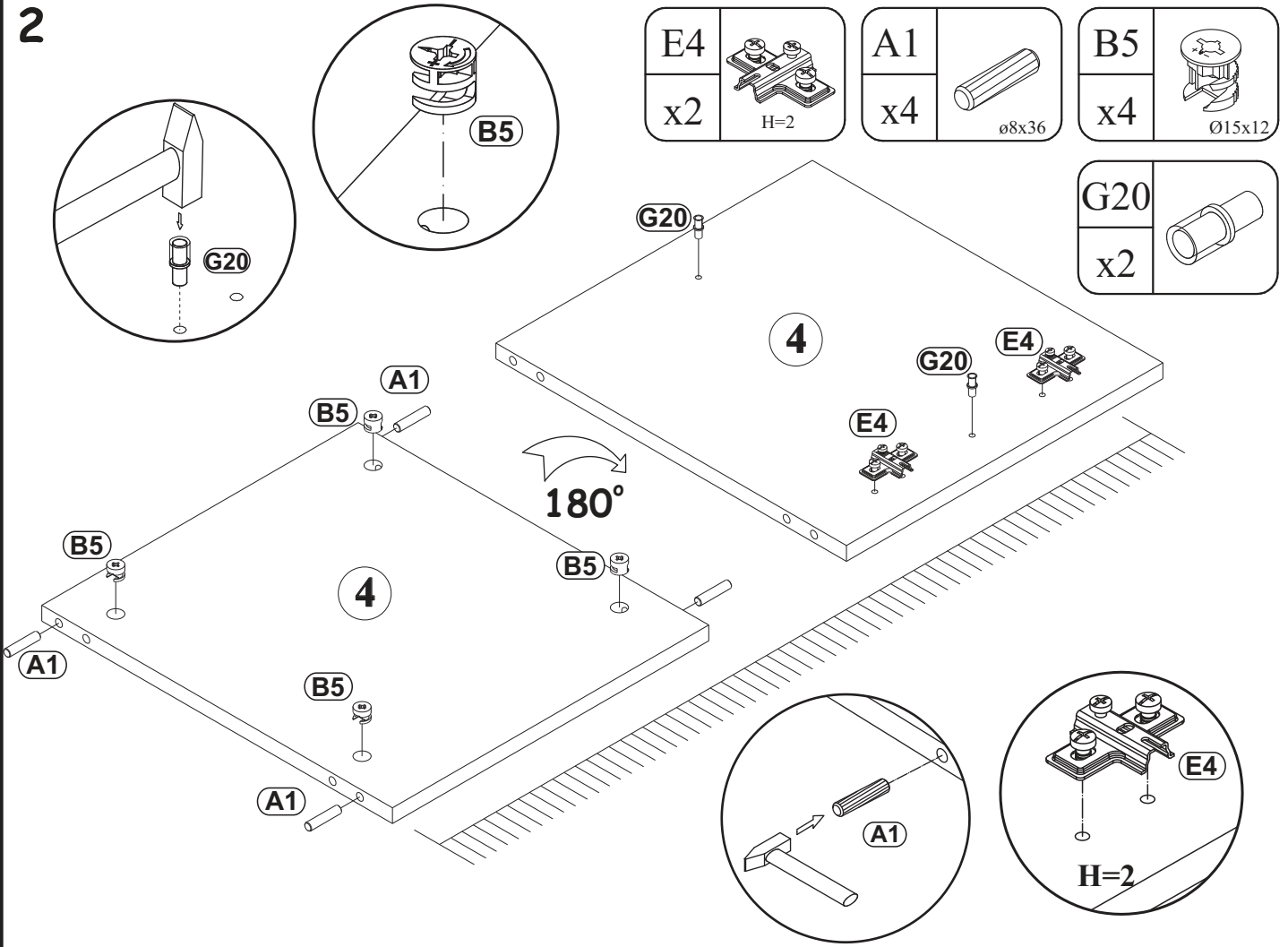
2

E4	
x2	H=2

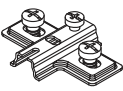
A1	
x4	ø8x36

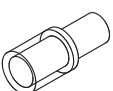
B5	
x4	Ø15x12

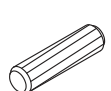
G20	
x2	

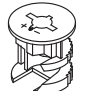


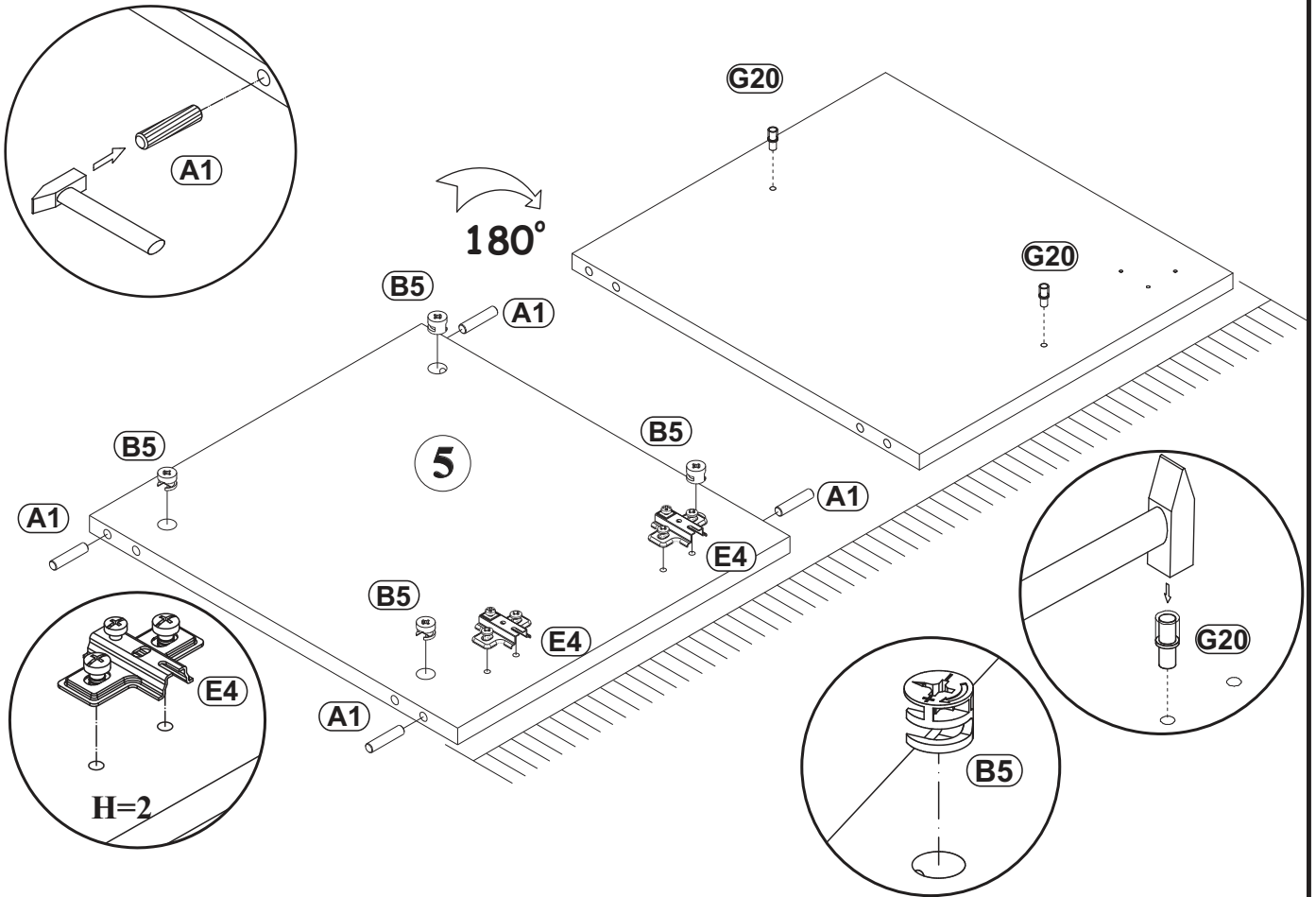
3

E4	
x2	H=2

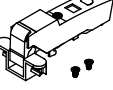
G20	
x2	

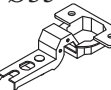
A1	
x4	ø8x36

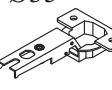
B5	
x4	Ø15x12




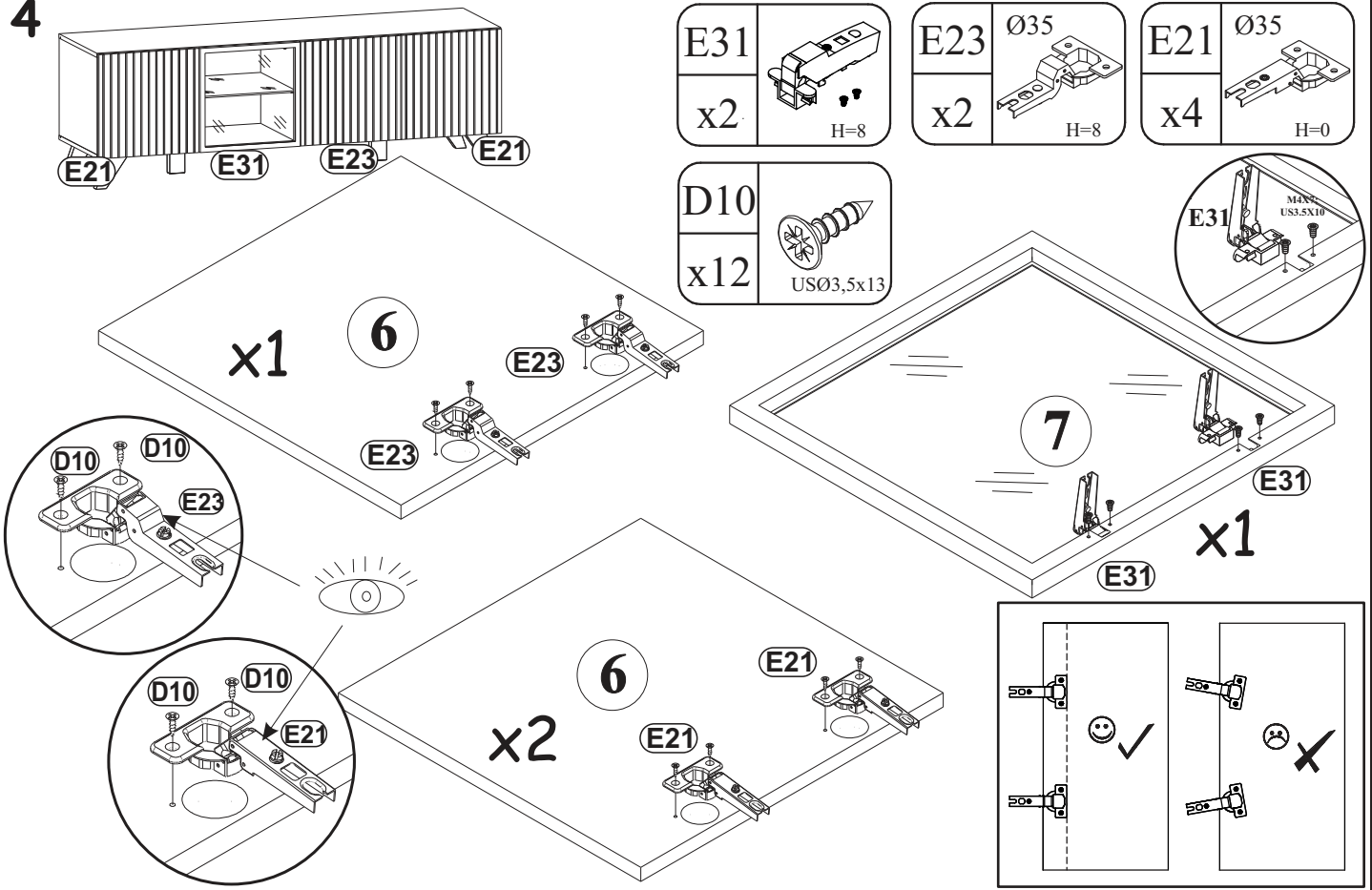
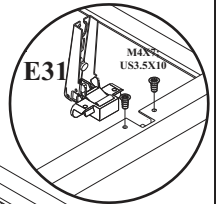
4

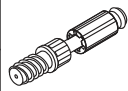
E31	
x2	H=8

E23	
x2	Ø35 H=8

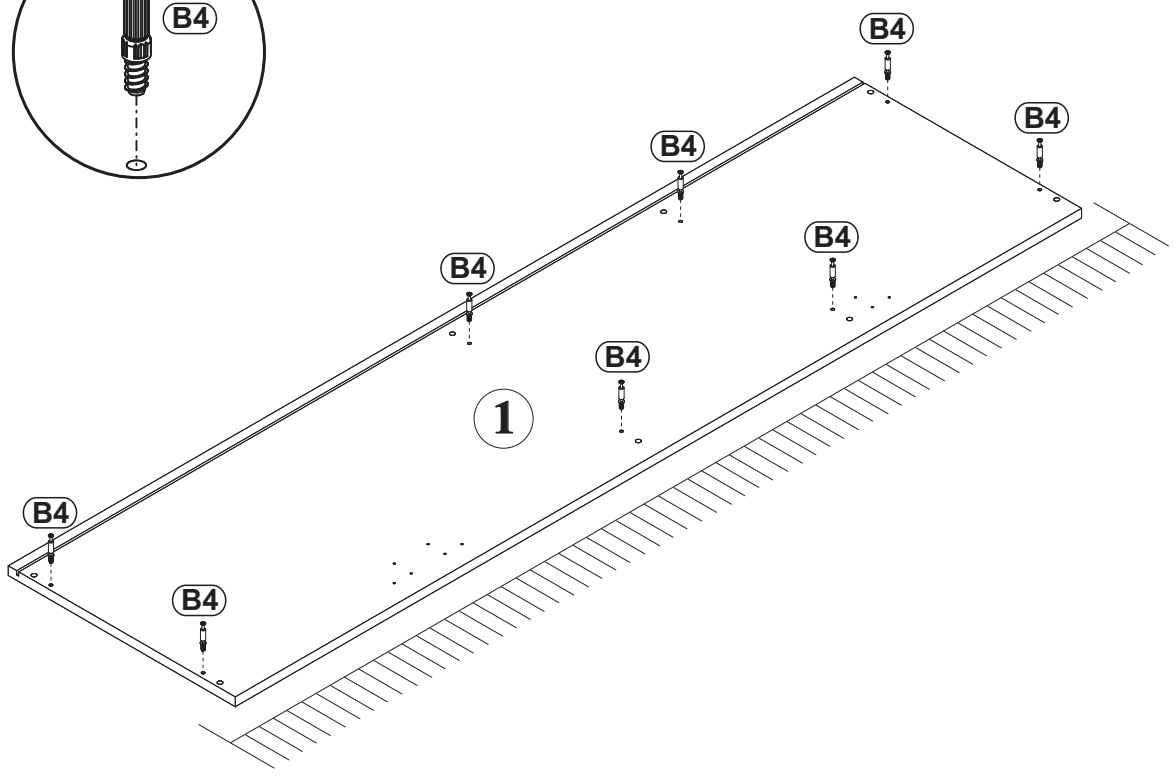
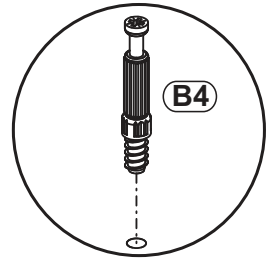
E21	
x4	Ø35 H=0

D10	
x12	USØ3,5x13





B4	
x8	

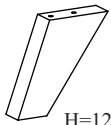
5

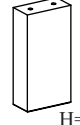


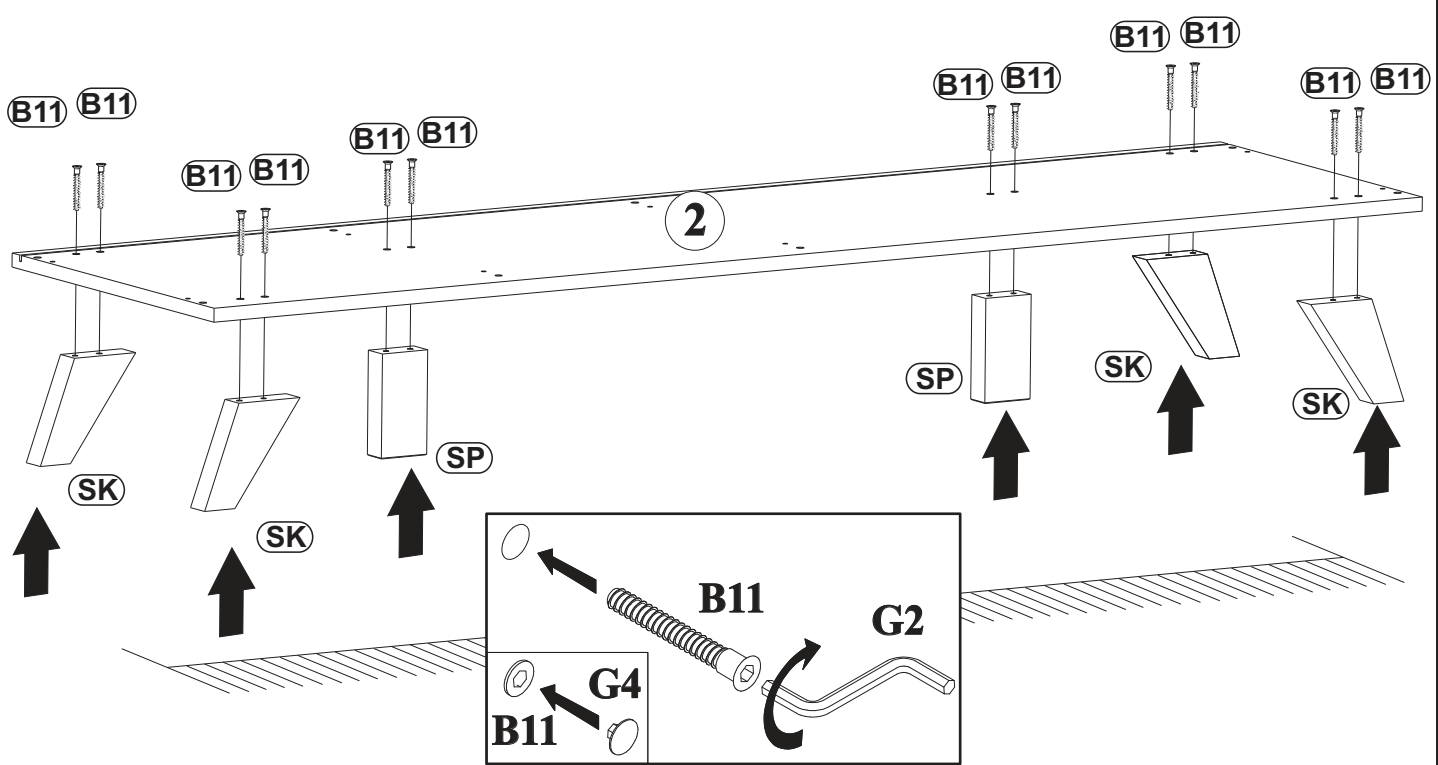
6

G4	
x12	

B11	
x12	Ø7x50

SK	
x4	H=120

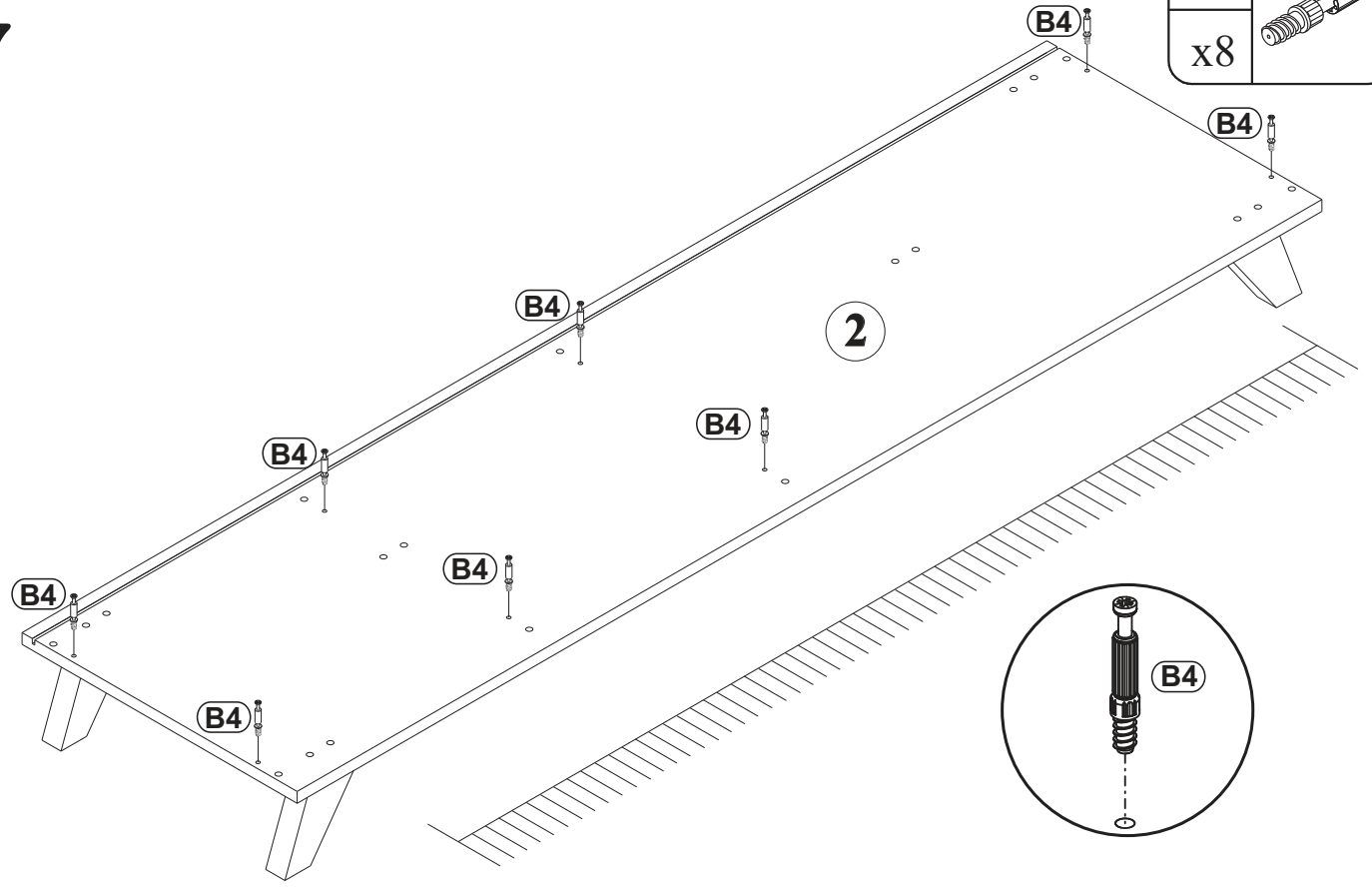
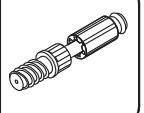
SP	
x2	H=120



7

B4

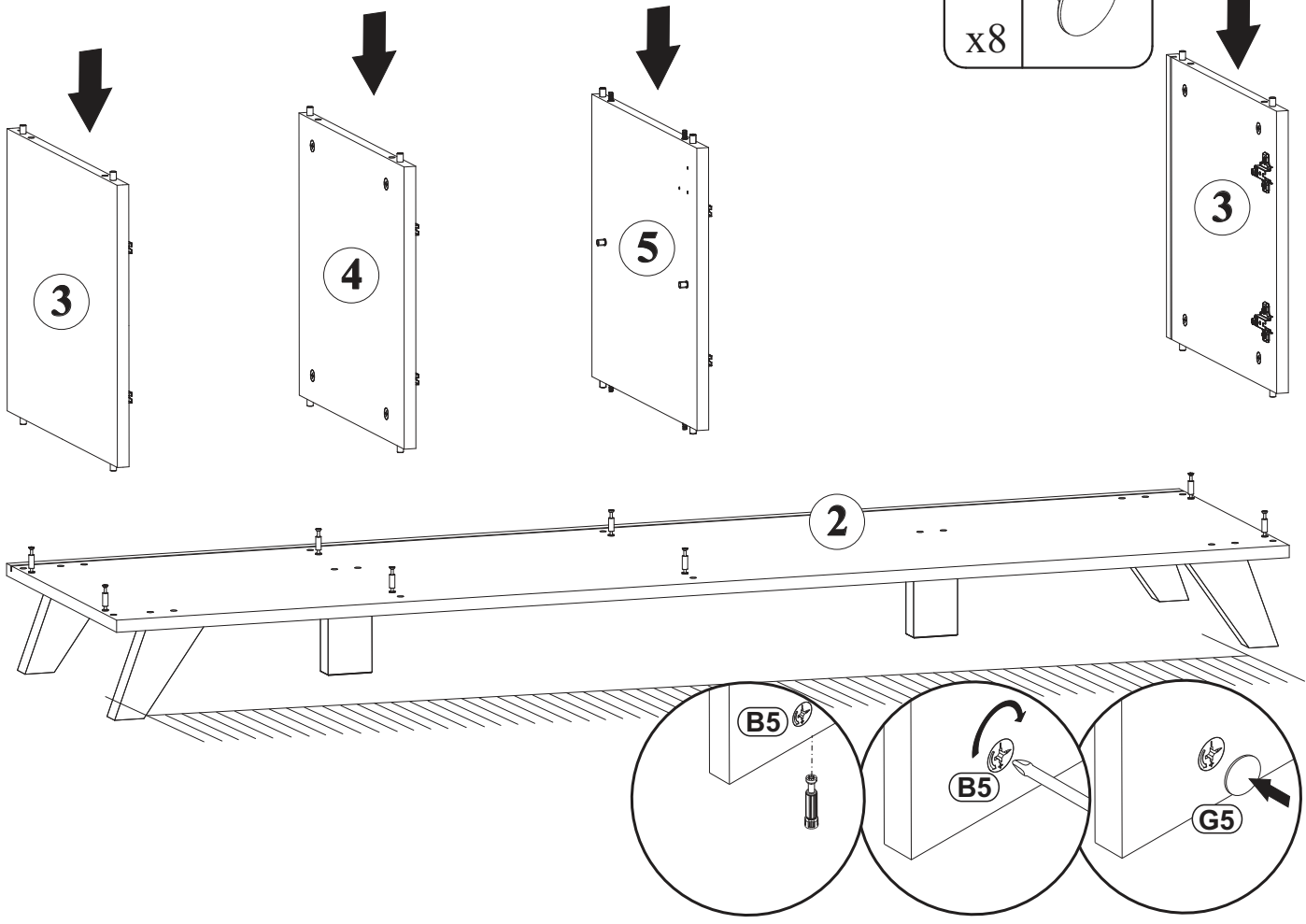
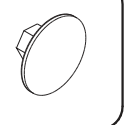
x8



8

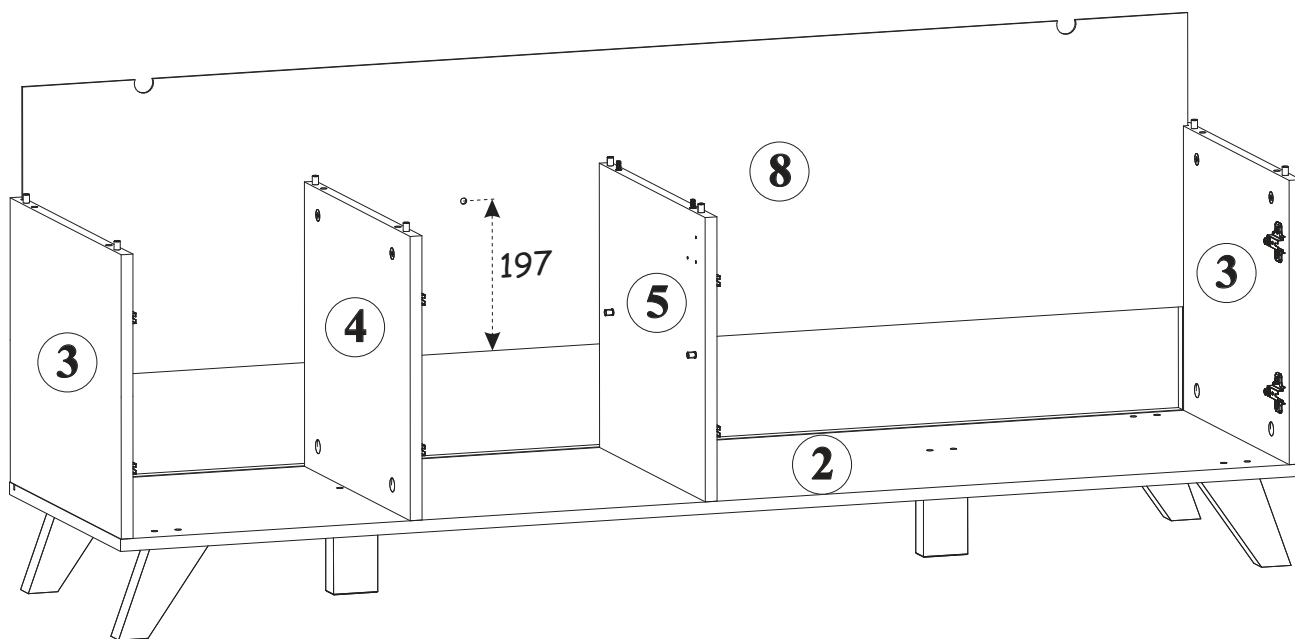
G5

x8





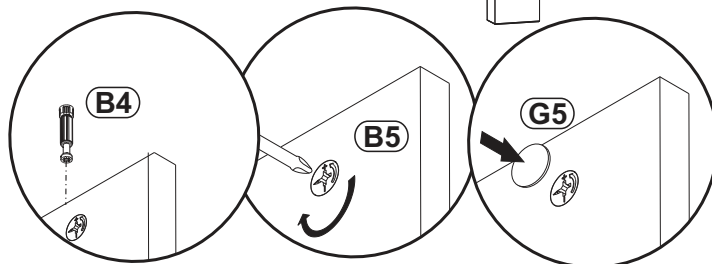
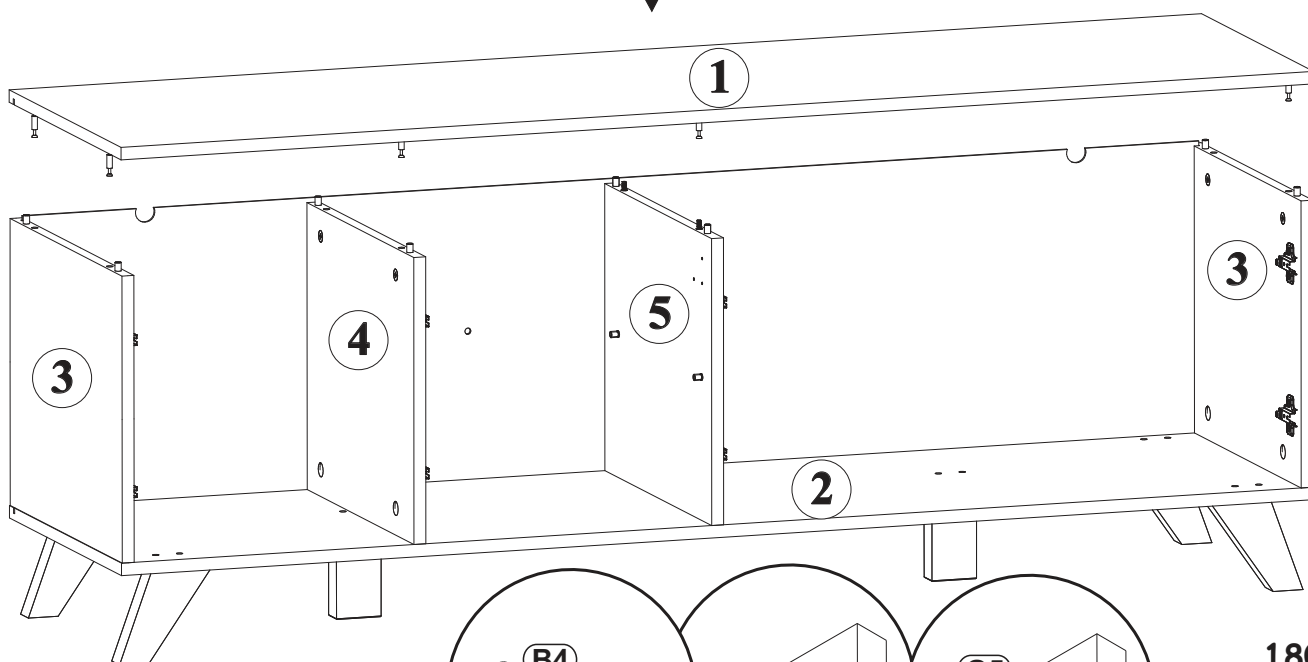
9



10



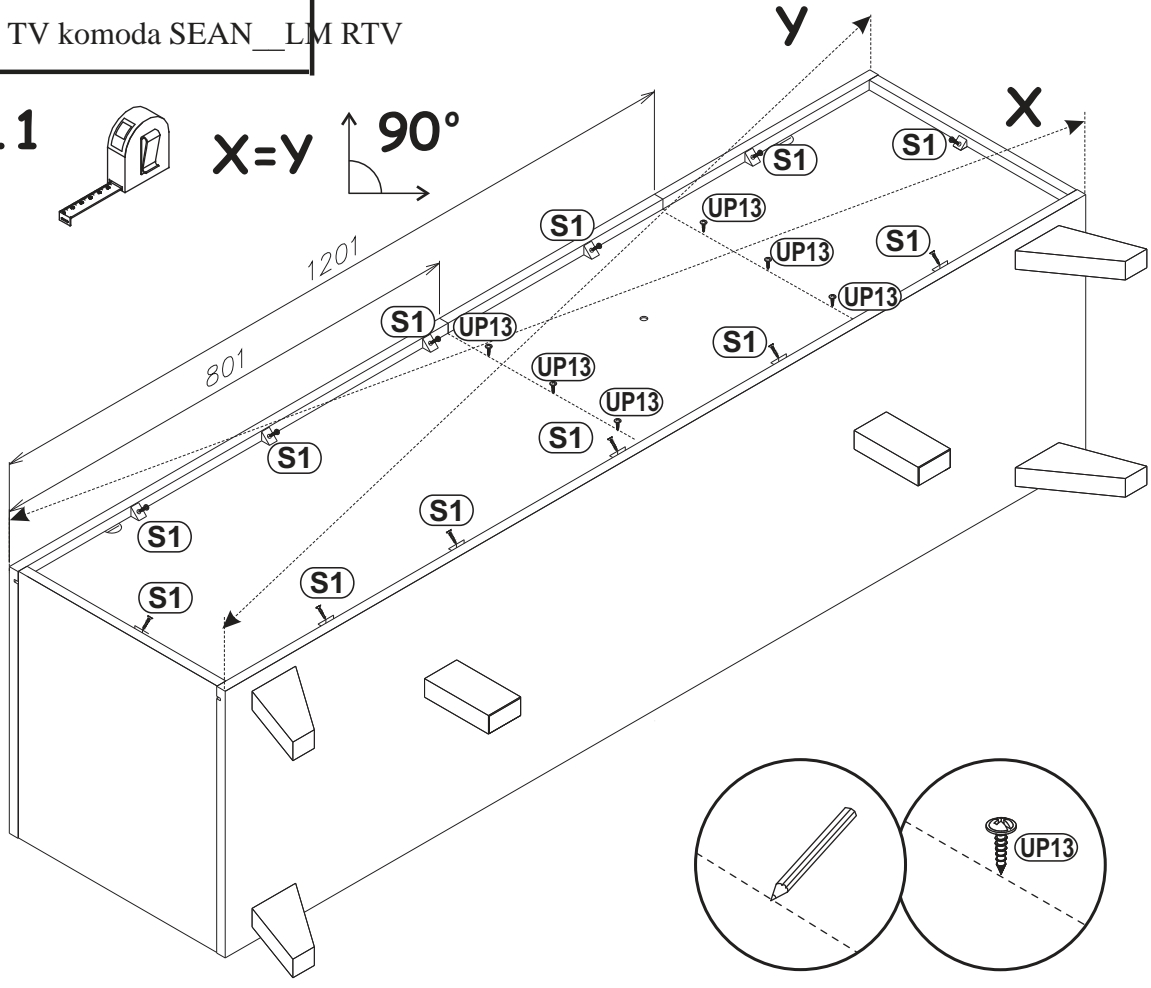
G5	
x8	



180°

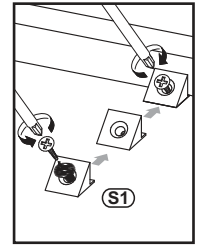
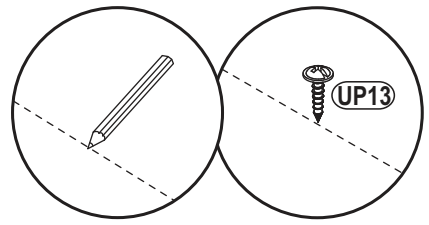
180°

11

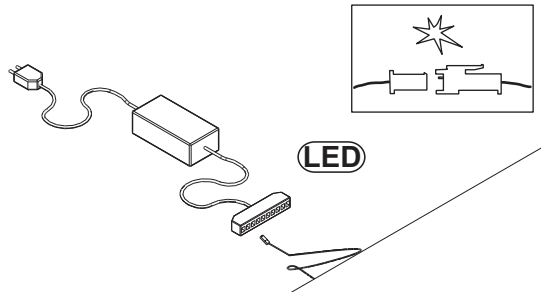


S1	
x12	

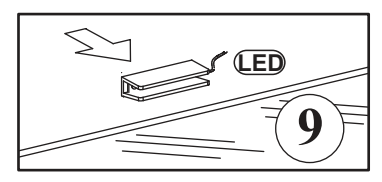
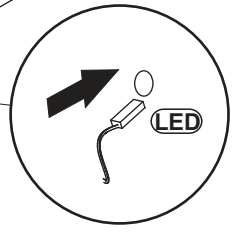
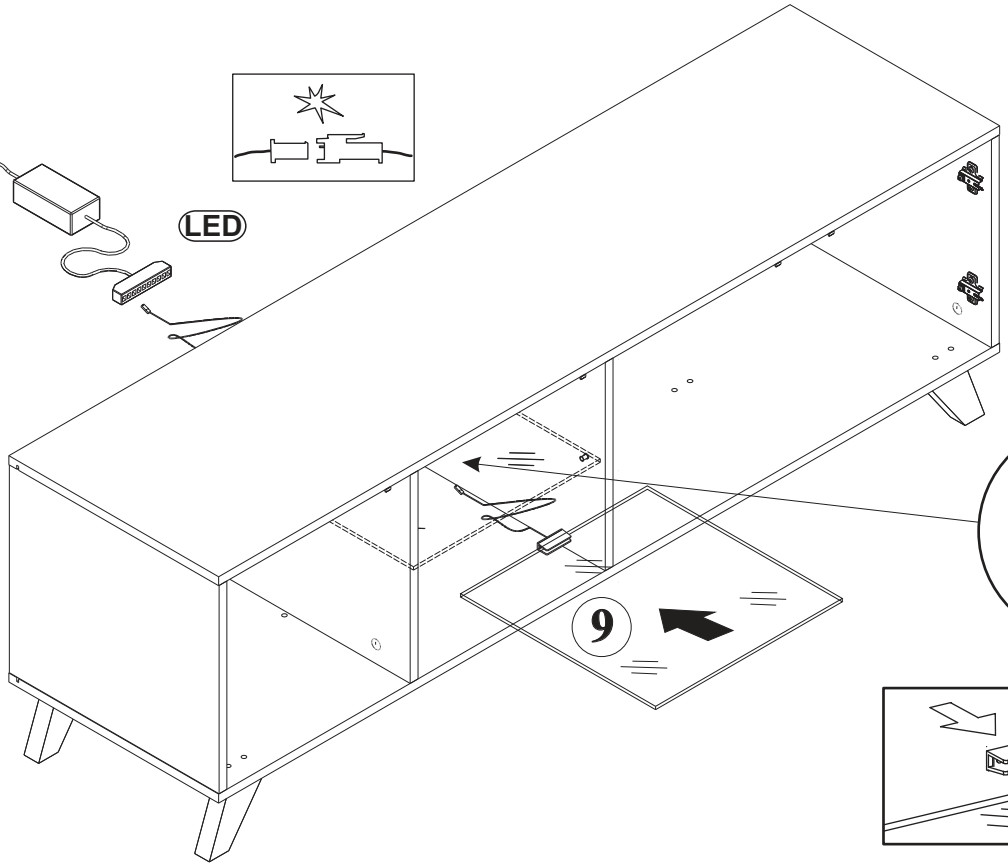
UP13	
x6	UP03x16




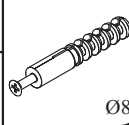
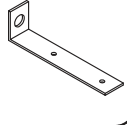
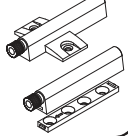
12

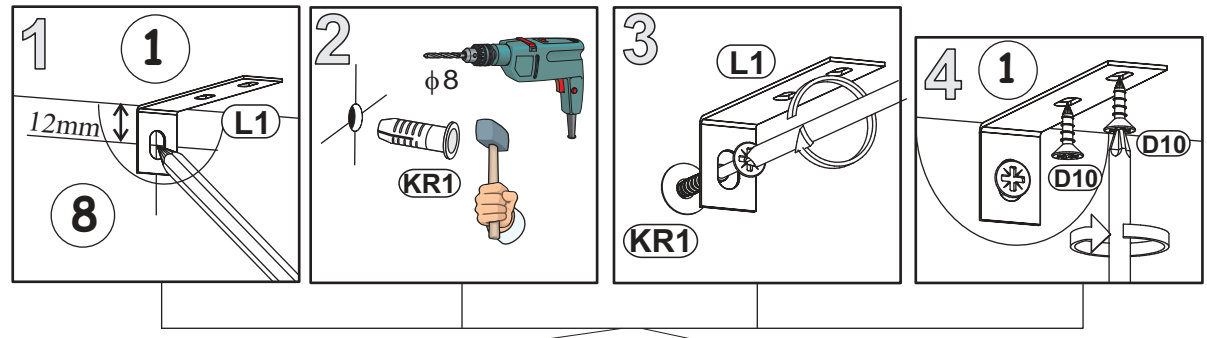
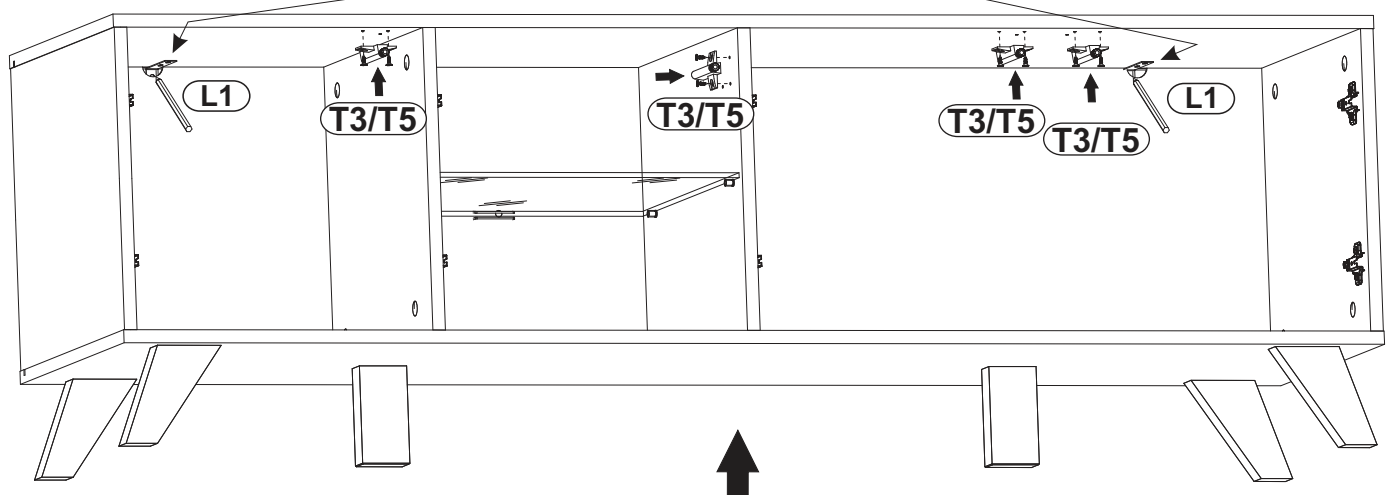
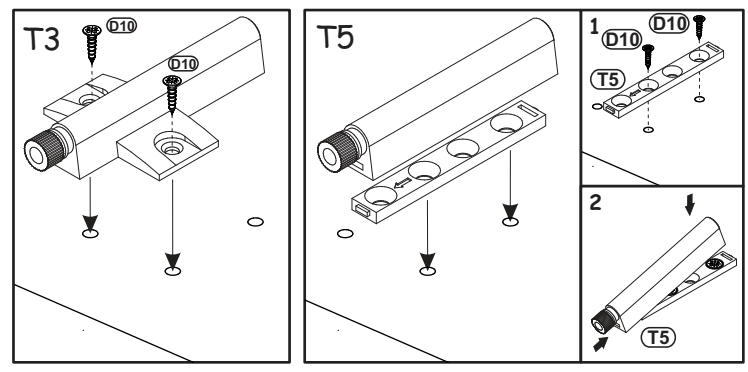
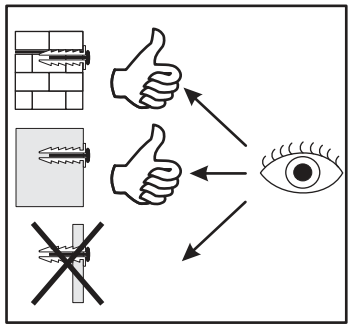


LED	
x1	1x1



13

D10 x12	 US03,5x13	KR1 x2	 Ø8	L1 x2		T3/T5 x4	
------------	--	-----------	--	----------	---	-------------	--

14

