

3

8

5

8

4

1

7.1 + 7.2 + 7.3

7.1 + 7.2 + 7.3

7.1 + 7.2 + 7.3

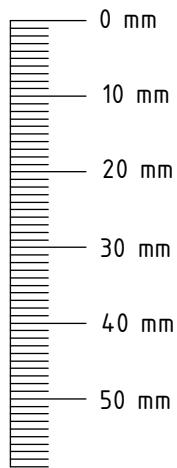
7.1 + 7.2 + 7.3

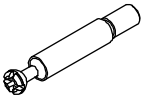
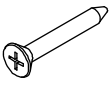
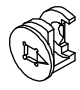
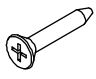
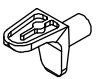

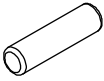
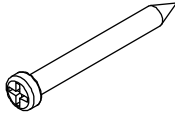
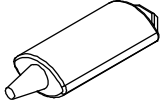

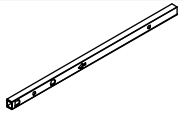
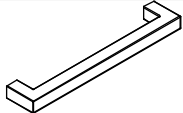
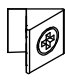
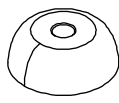

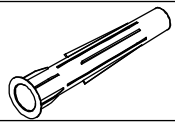
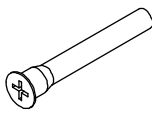
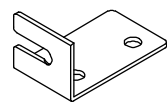
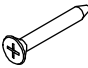
7.1 + 7.2 + 7.3

7.1 + 7.2 + 7.3

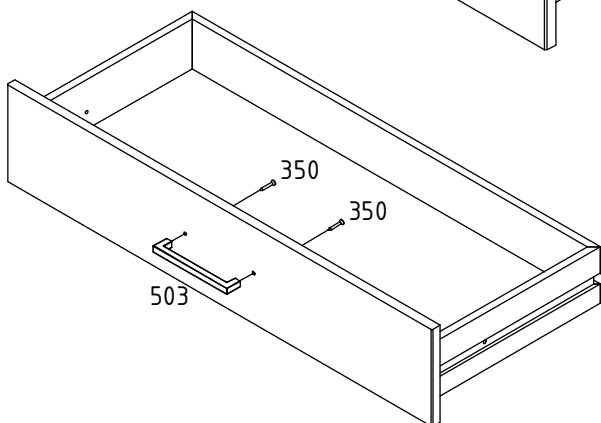
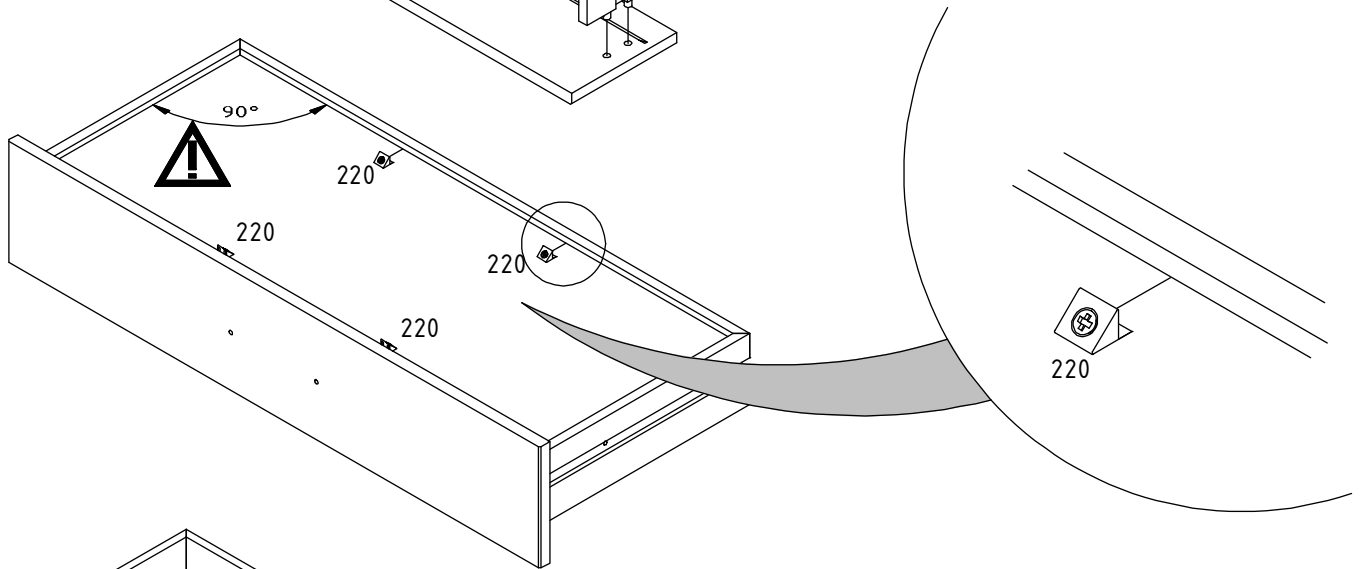
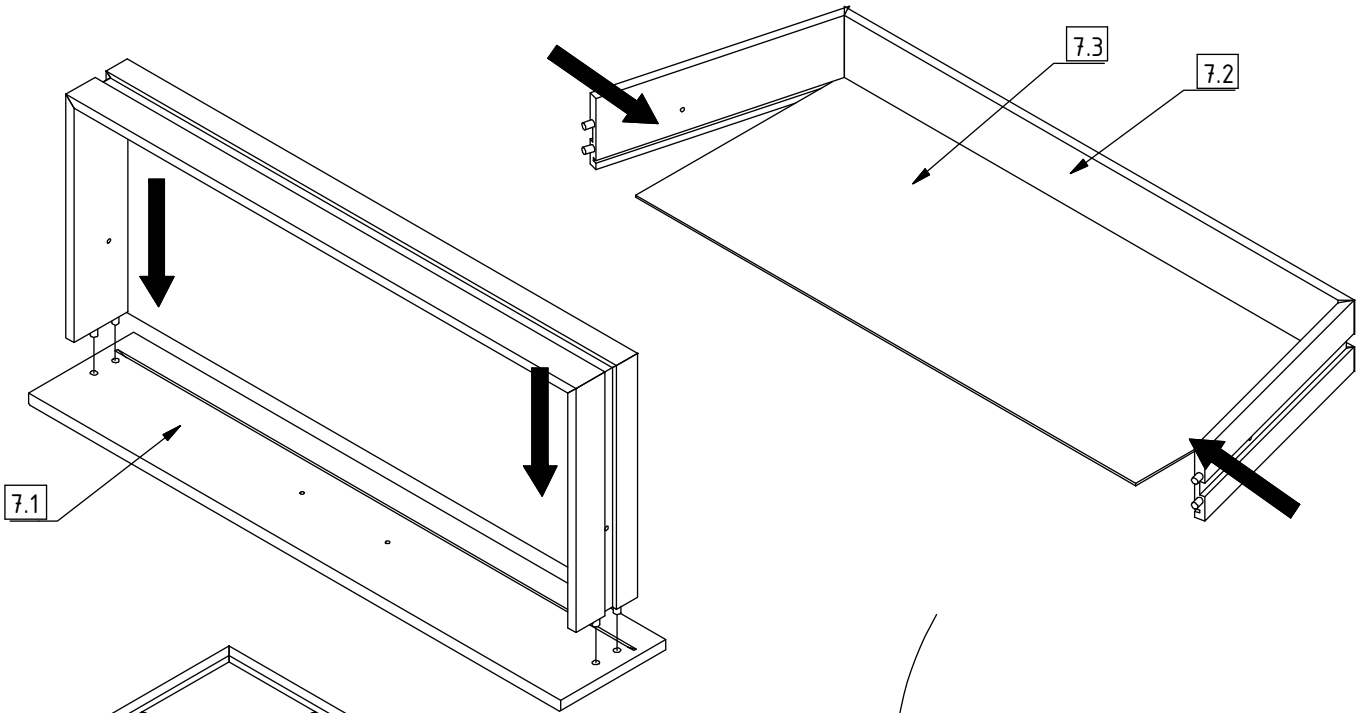
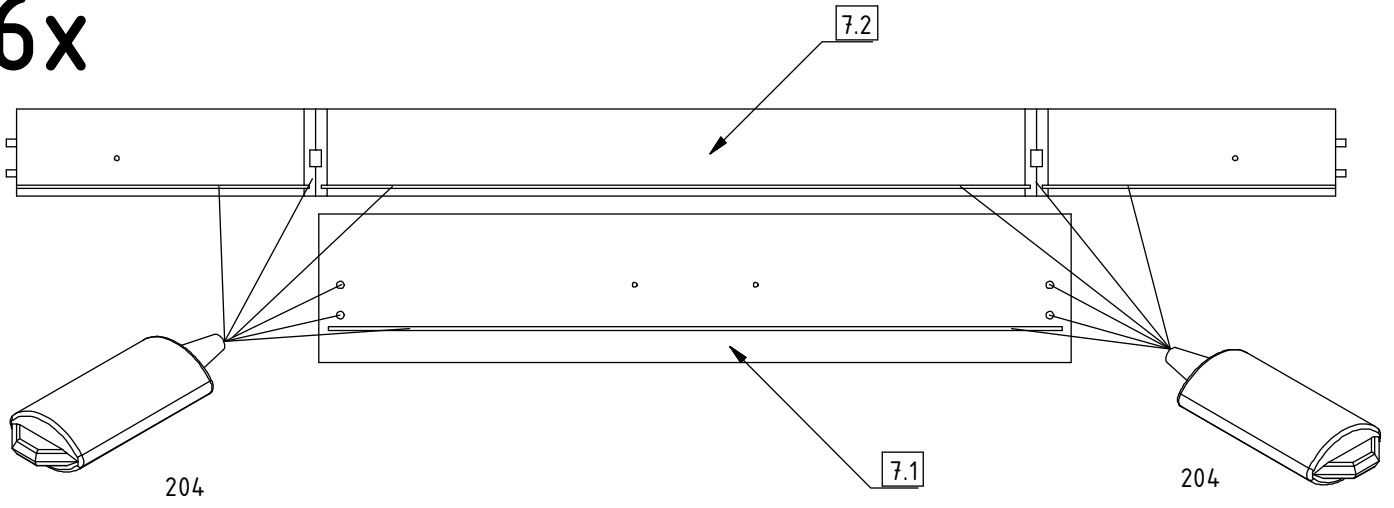
6

2

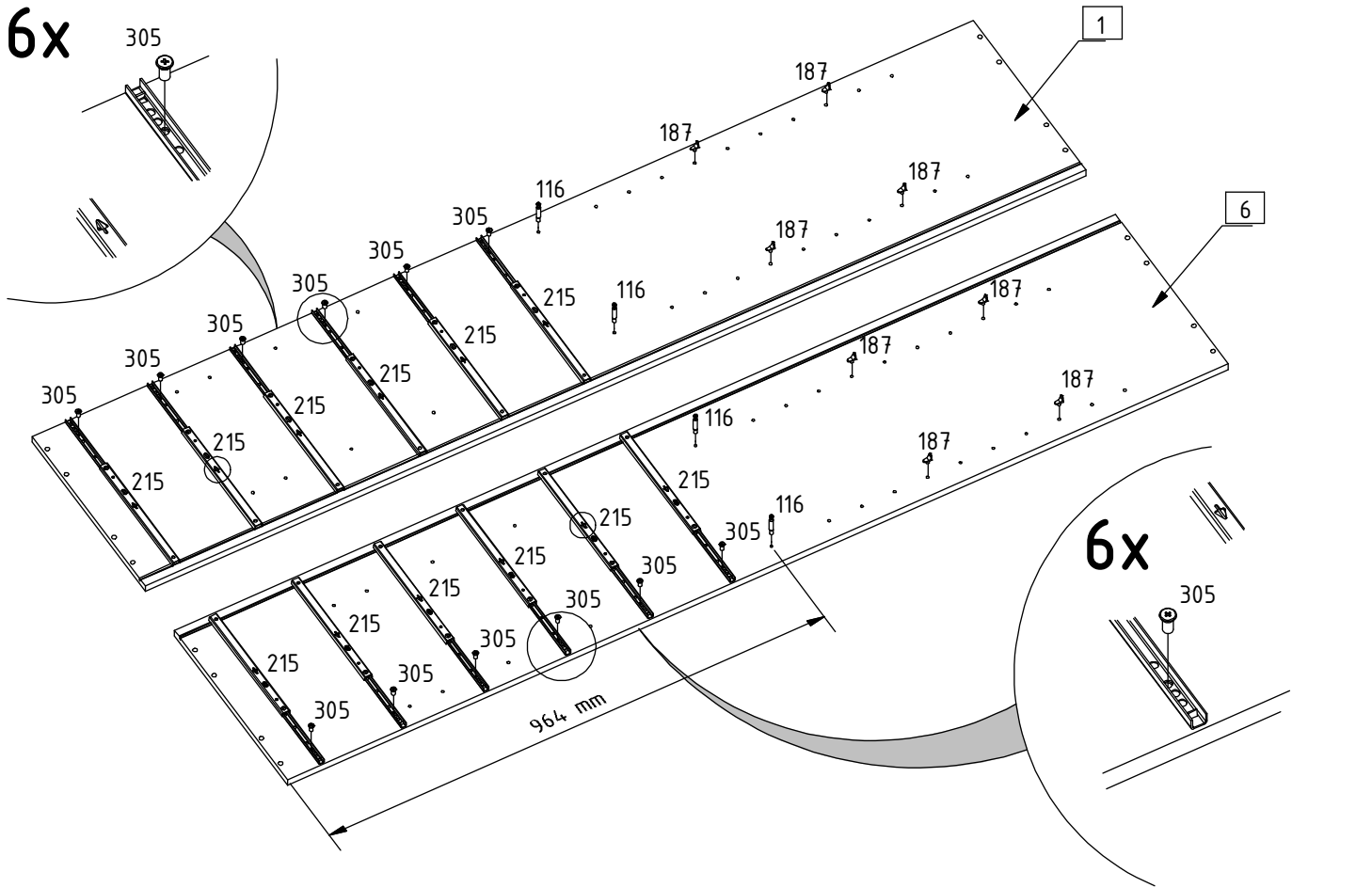


116	4		350	12	 4,0 x 25mm
120	4		352	6	 4,0 x 20mm
187	8		370	2	 4,0 x 15mm
190	8	 Ø 8 x 30mm	371	1	 6 x 60 mm
204	6		408	12	 M4 x 9mm
215	12		503	6	
220	34		737	6	
305	24	 6,3 x 9mm	741	1	
320	8	 6 x 50mm	742	1	
349	2	 3,5 x 25mm			

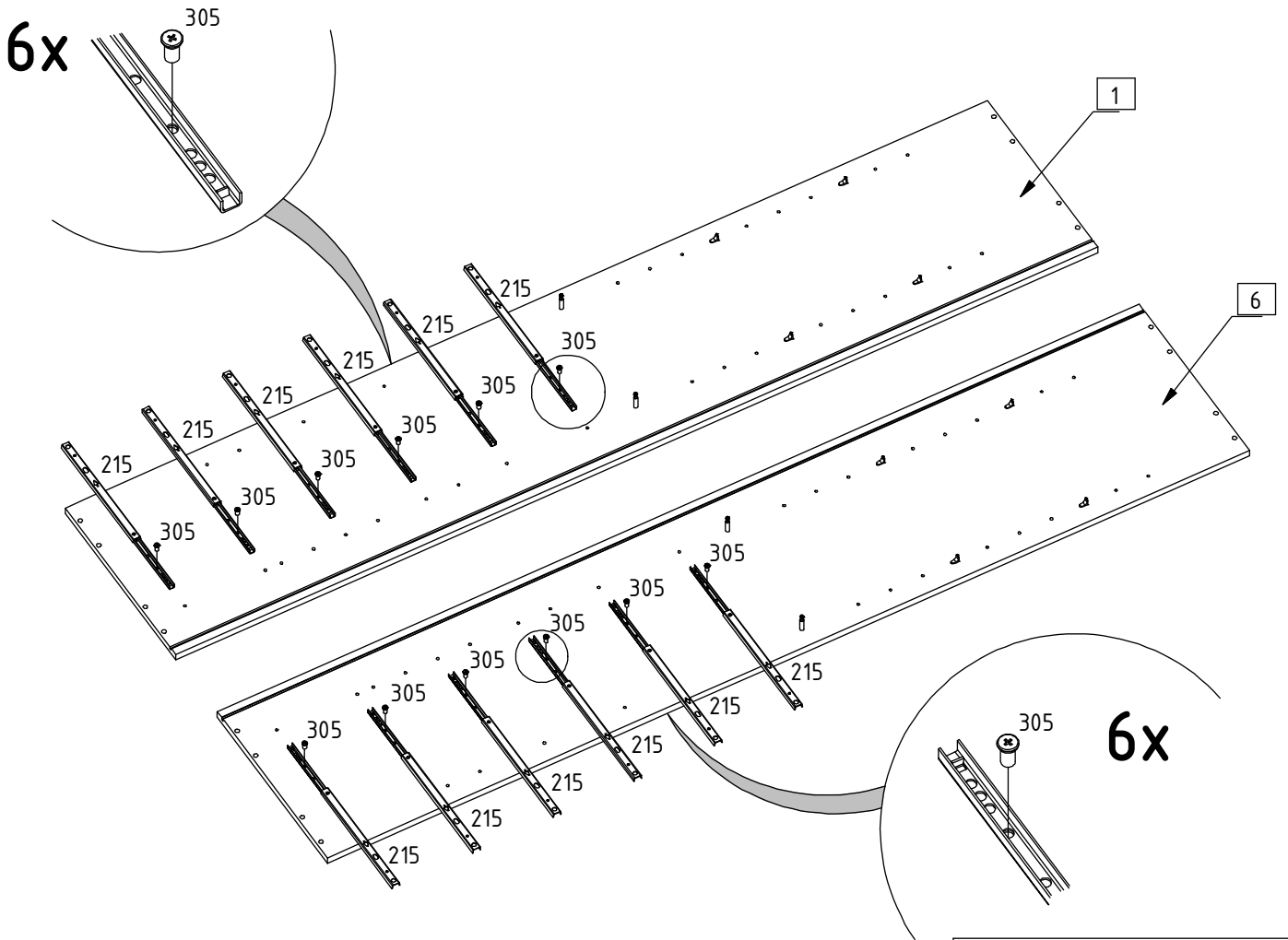
6x

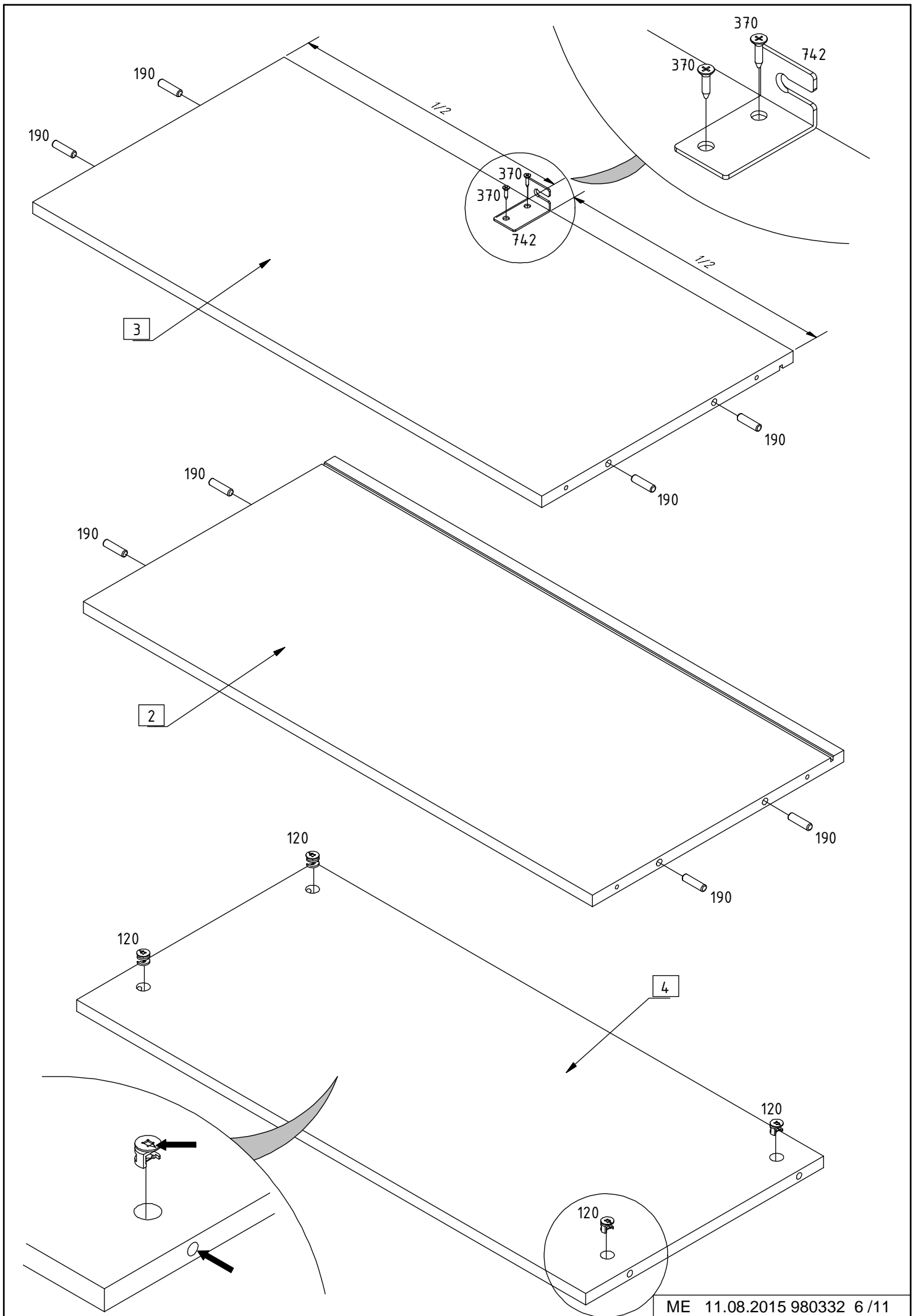


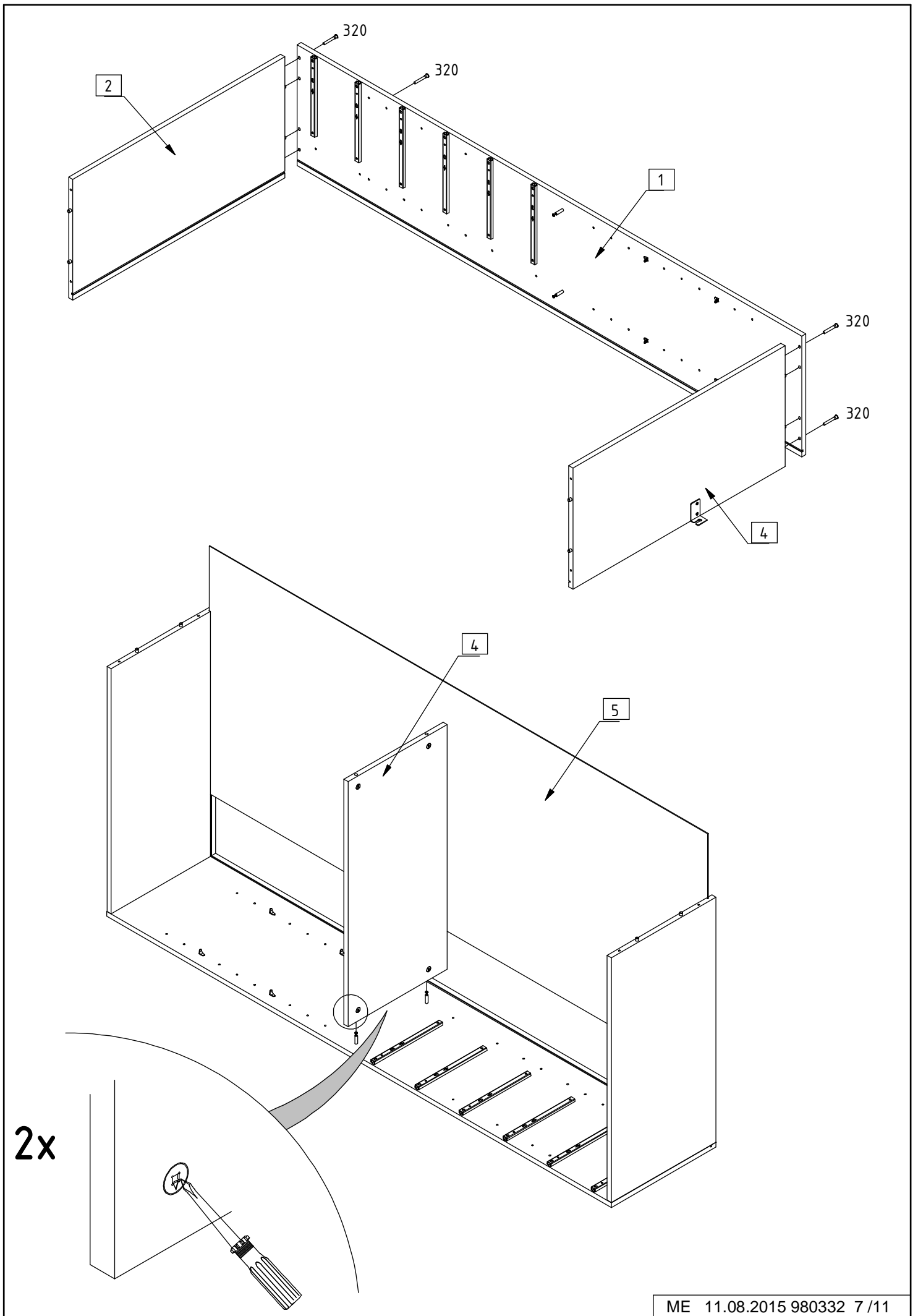
6x

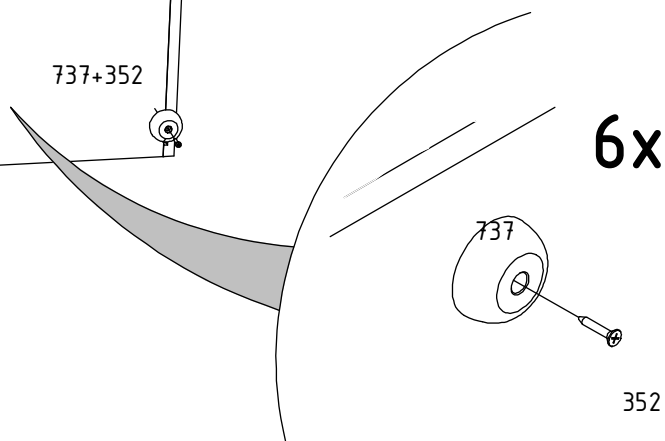
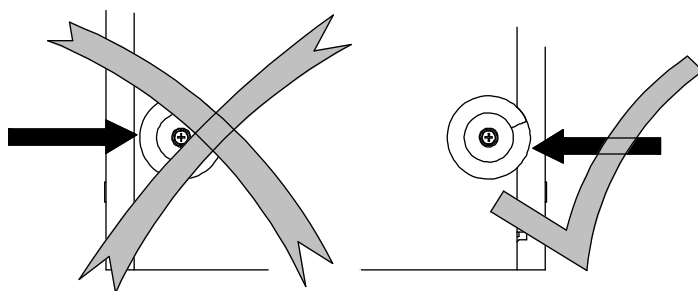
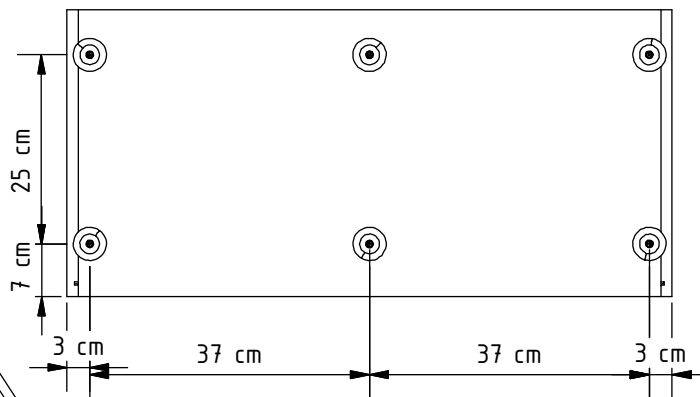
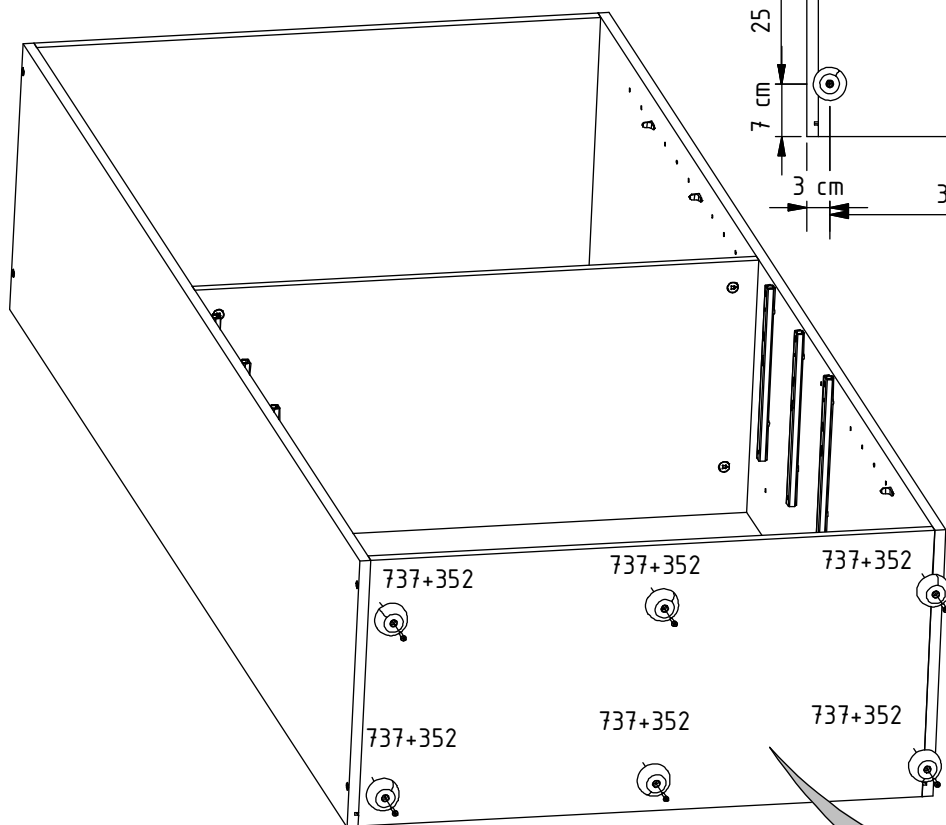
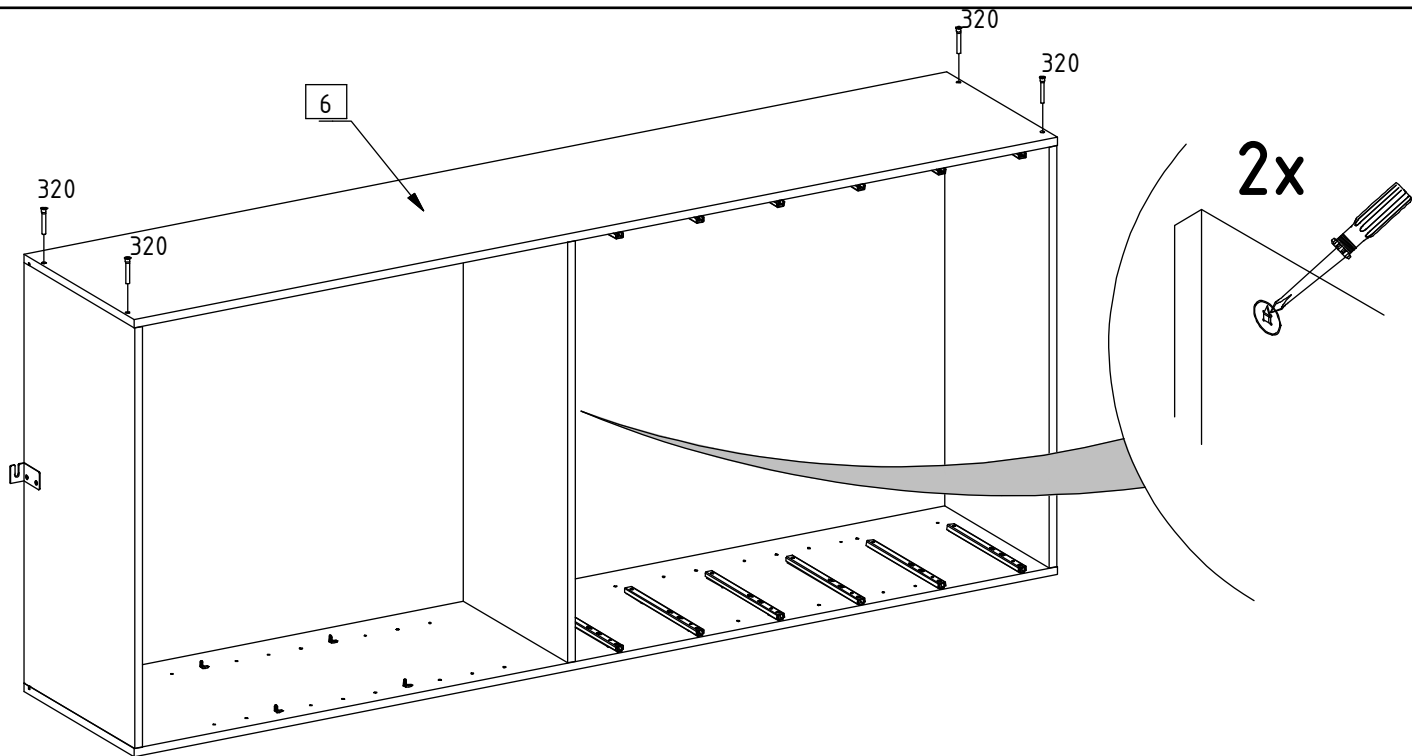


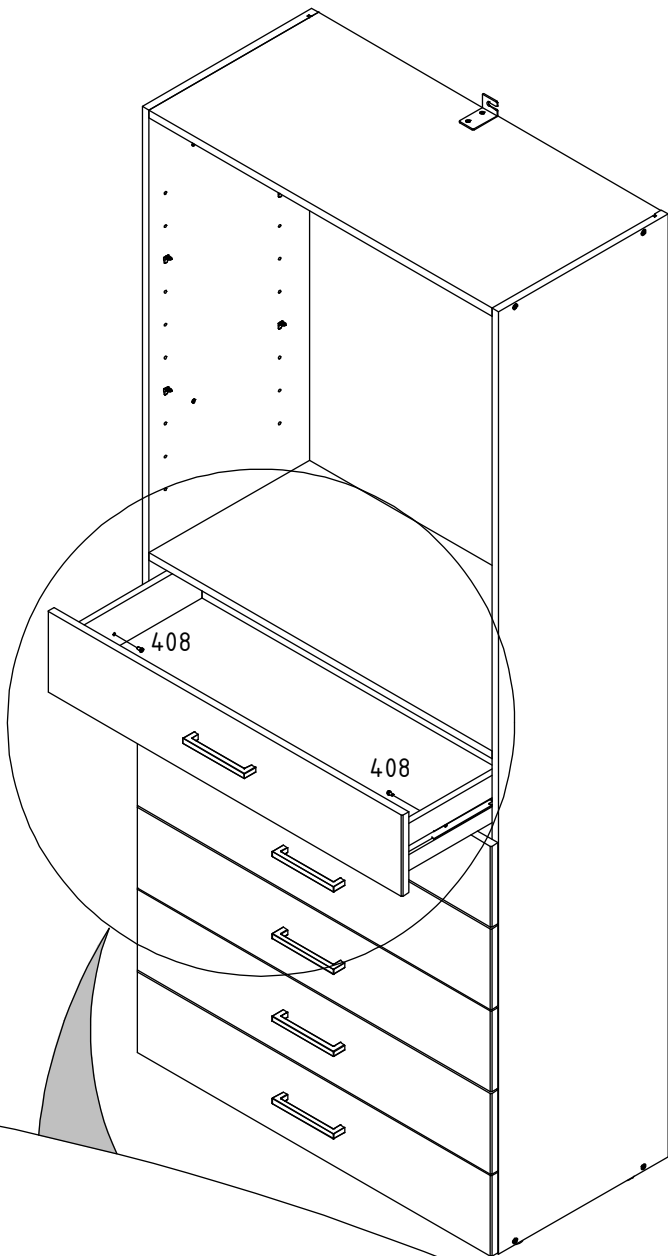
6x



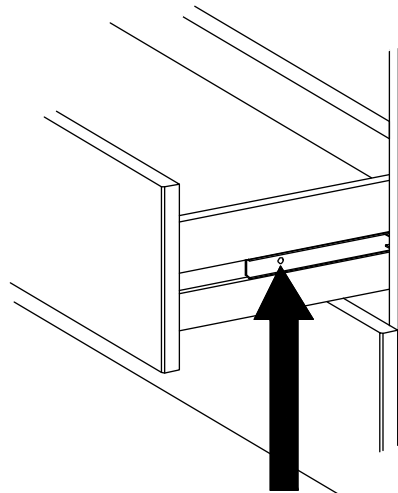
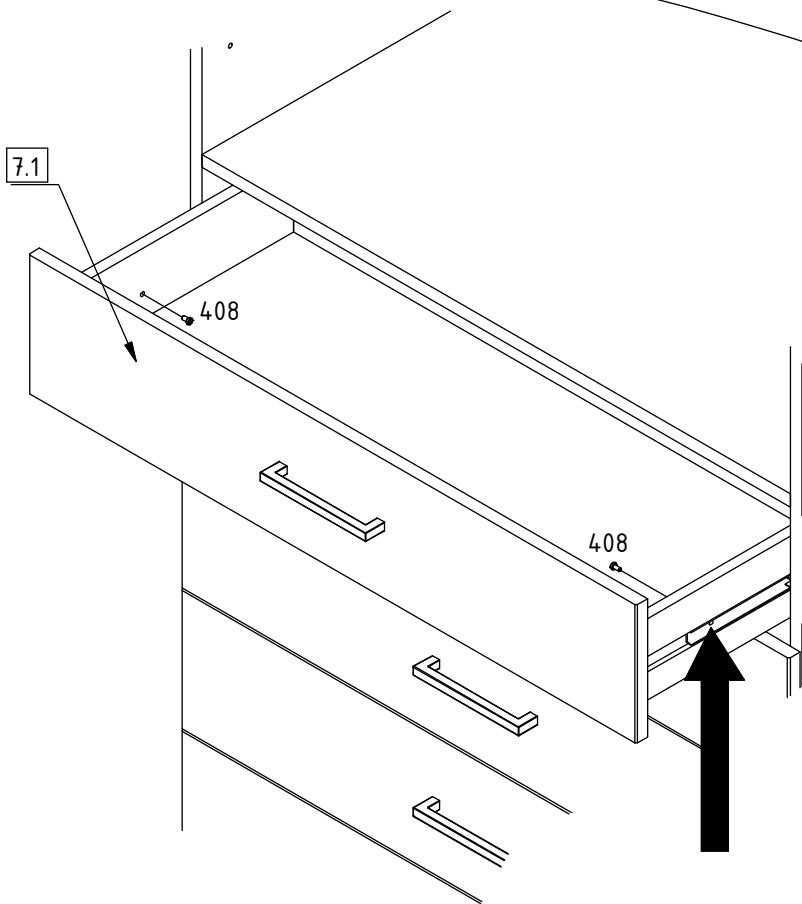








6x



10x

