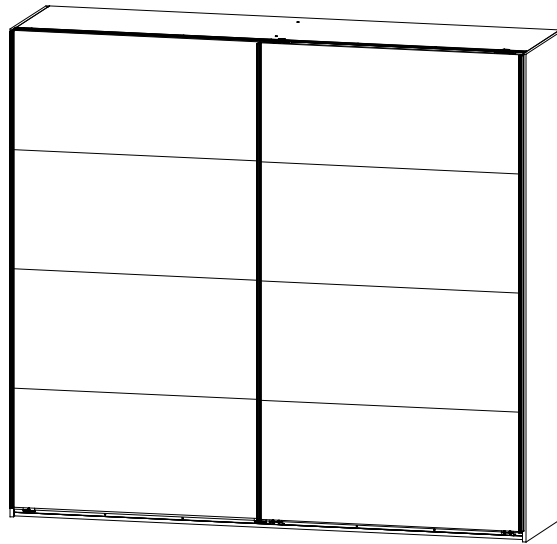
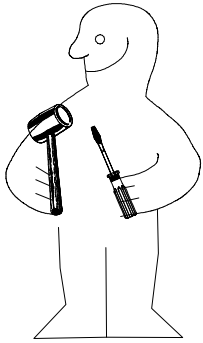
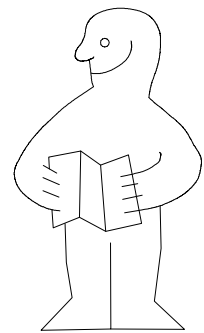
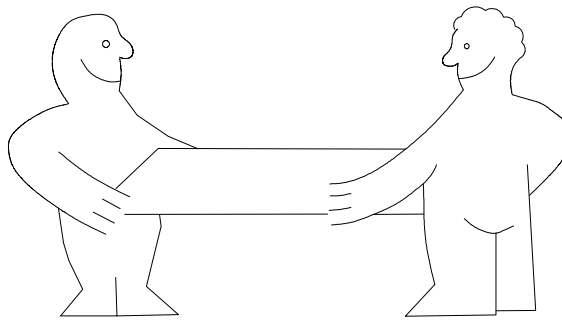
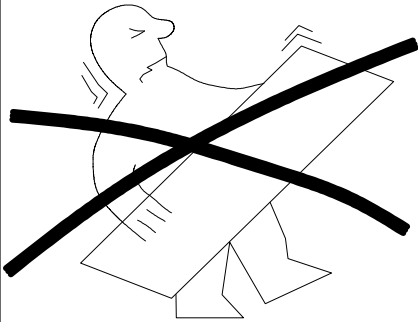


MONTÁŽNÍ/MONTÁŽNY NÁVOD

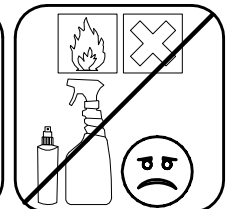
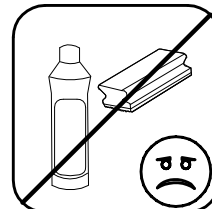
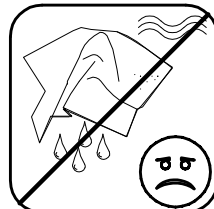
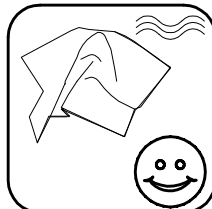
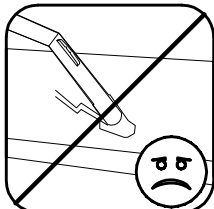
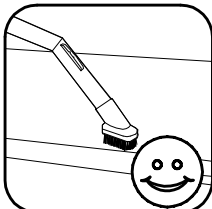
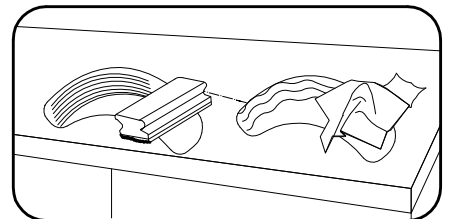
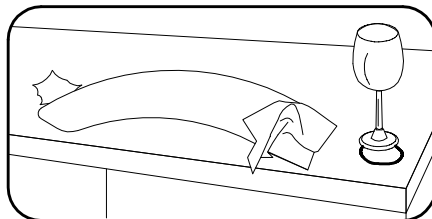
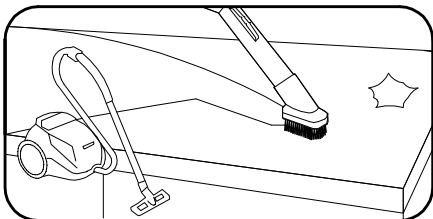
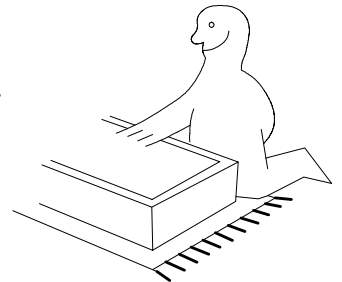
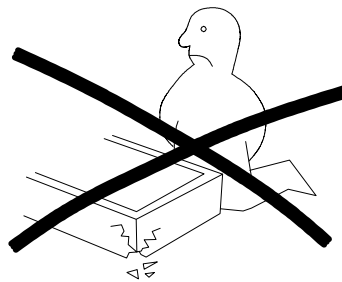
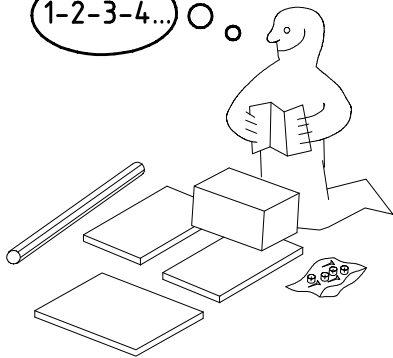
980864

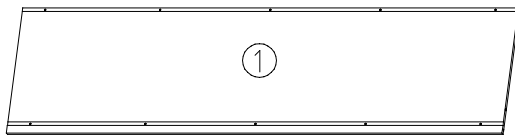
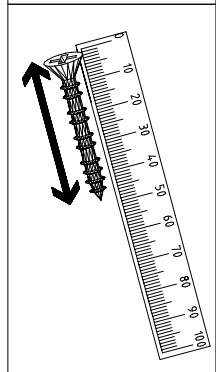
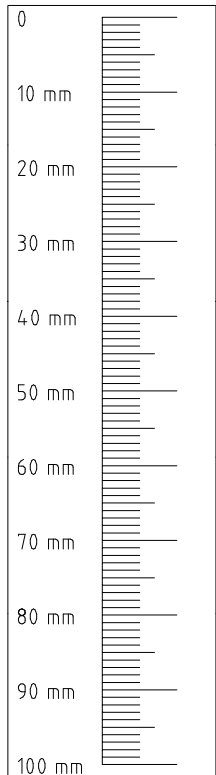
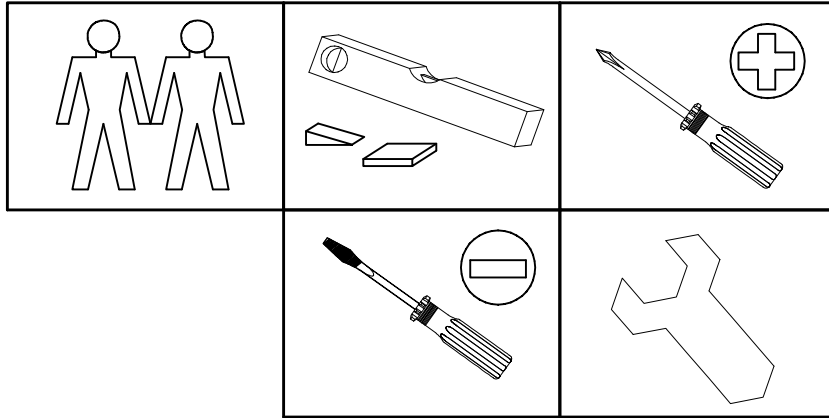


H 225 1MS

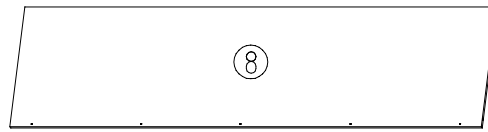


1-2-3-4... ○ ○

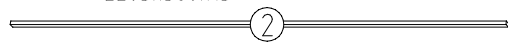




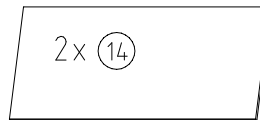
2205x560x15



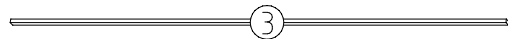
2205x560x15



2204x32x15

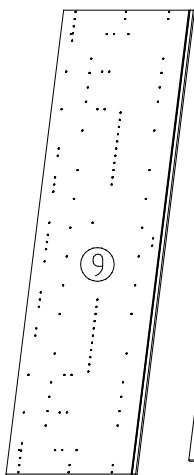


2x 14

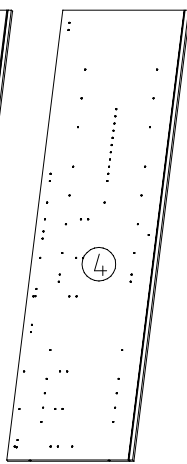


2204x32x15

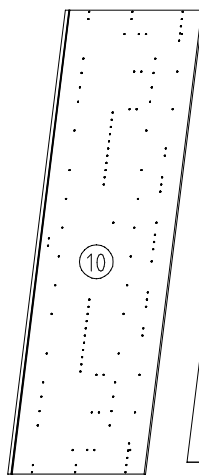
1095x500x18



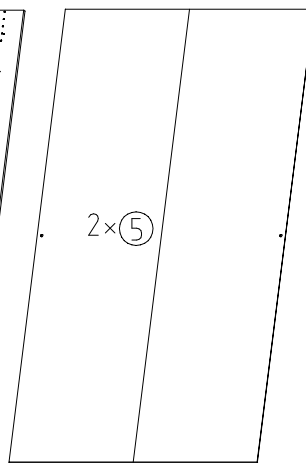
2064x577x15



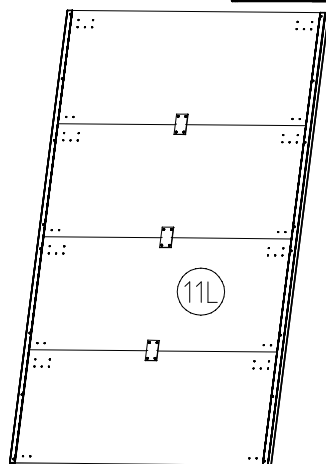
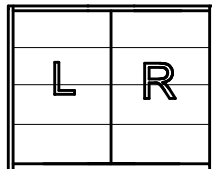
2001x560x15



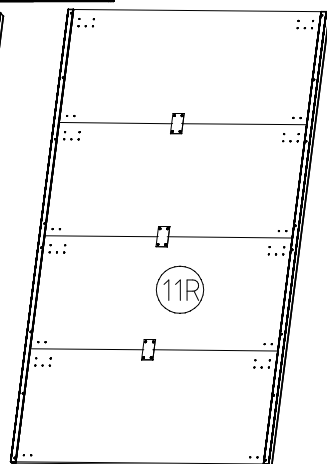
2064x607x15



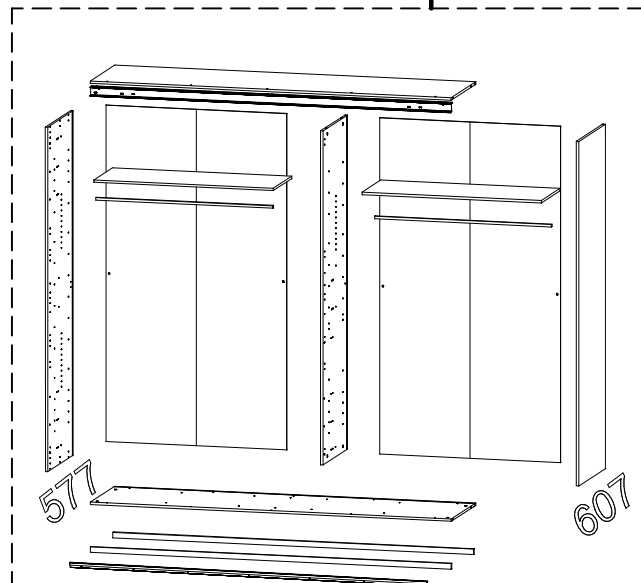
2015x1104x2,5

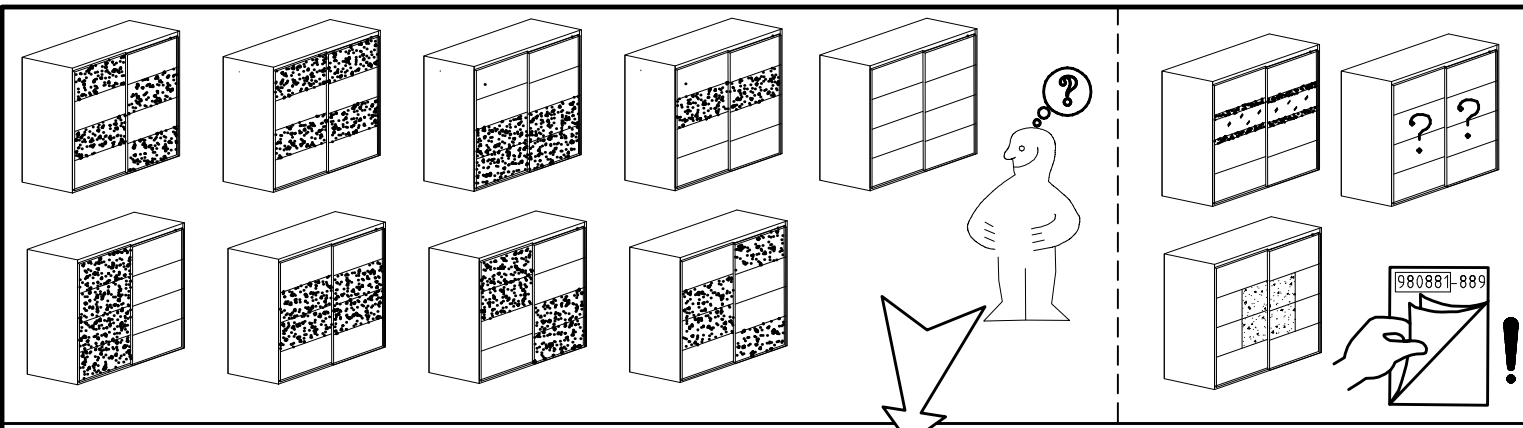



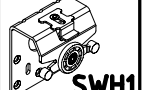
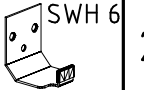

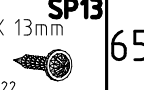
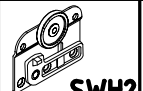
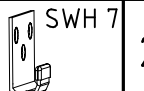
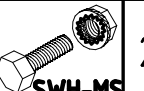



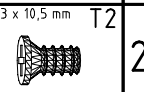
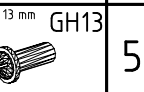
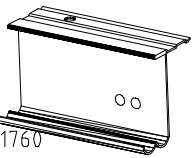
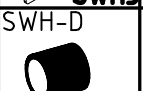

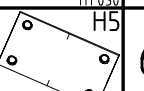
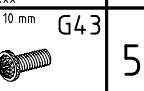
2018x1135x15


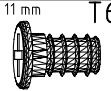

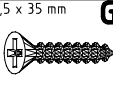
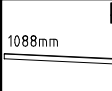
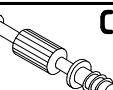
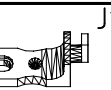

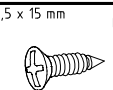


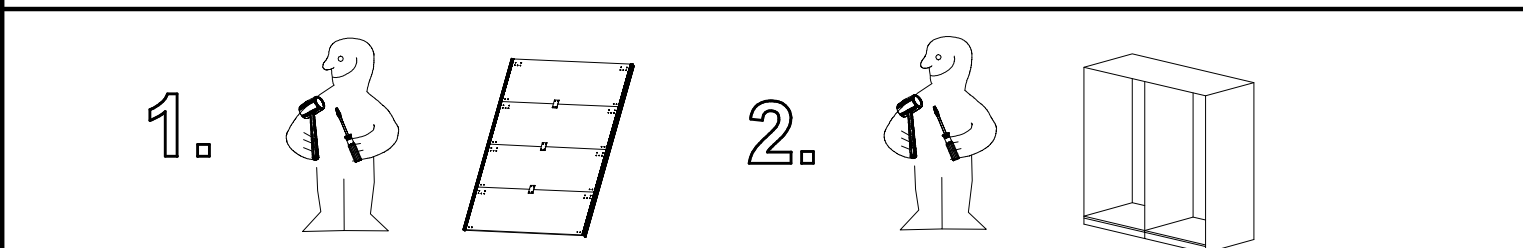
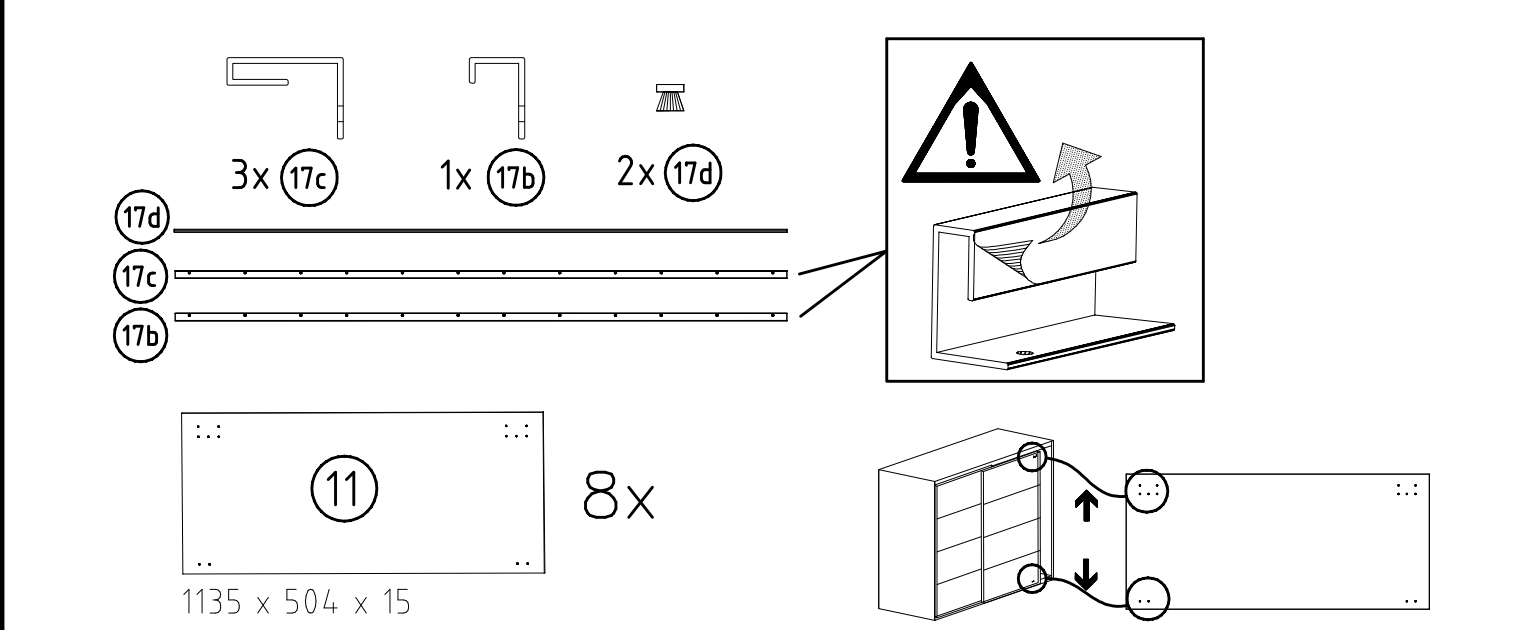
2018x1135x15



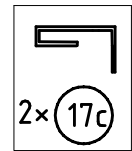
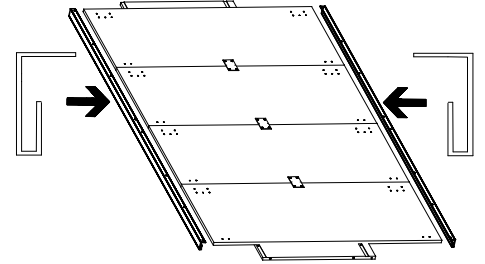
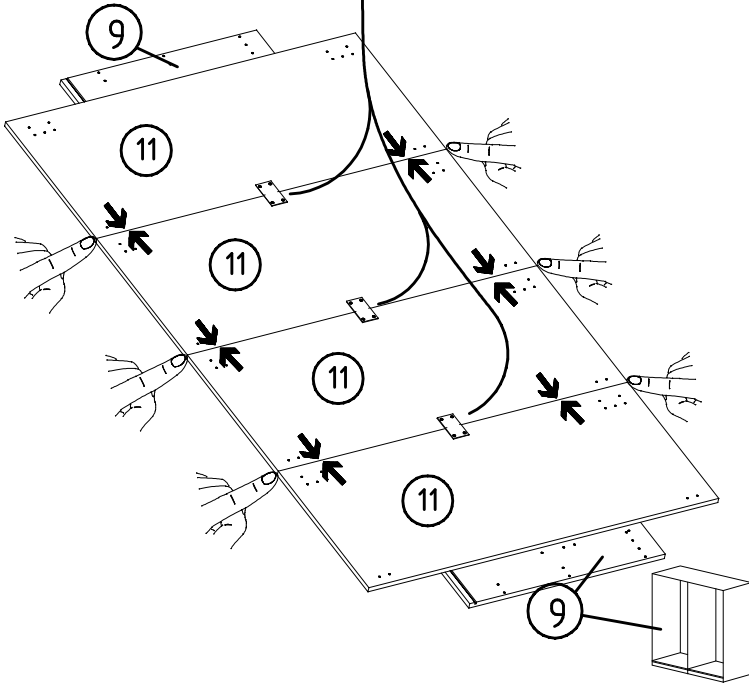
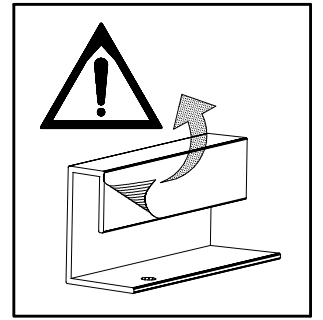
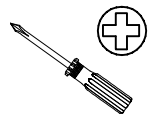
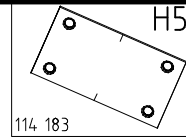
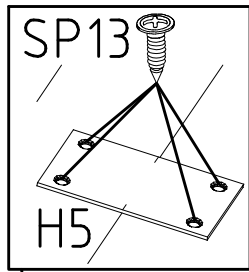
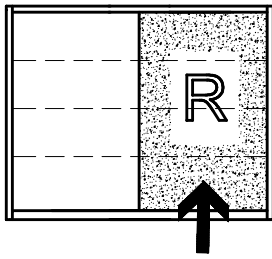


| | | | | |
|--|---|---|--|--|
| 1x FPN  1316/1760 2204/2648/3092/3536 |  SWH1 2x |  SWH 6 2x |  SWH-ST 2x |  SP13 4 X 13mm 65x 121 122 |
| |  SWH2 1x |  SWH 7 2x |  SWH-MS 2x 6,3 x 10,5 mm T2 |  G24 9x 3,5 x 22 mm |
| |  SWH3 1x |  SWH-SKL 1x |  SWH-D 24x 111 030 |  GH13 5x M4 x 13 mm |
| 1x LP  1316/1760 2204/2648/3092/3536 |  SWH-D 1x |  SWH-SKR 1x |  H5 6x 114 183 |  G43 5x M4 x 10 mm 121 xxx |

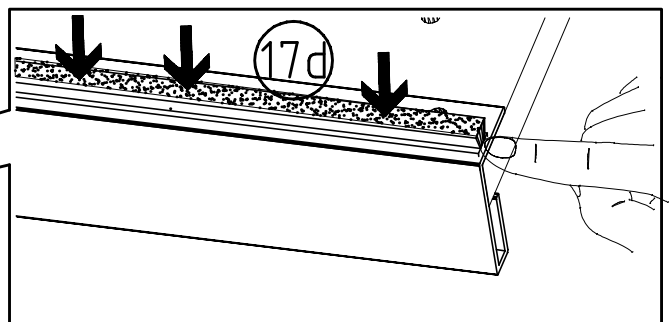
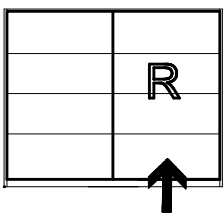
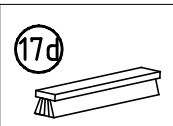
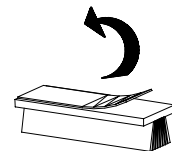
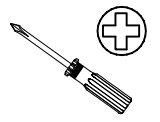
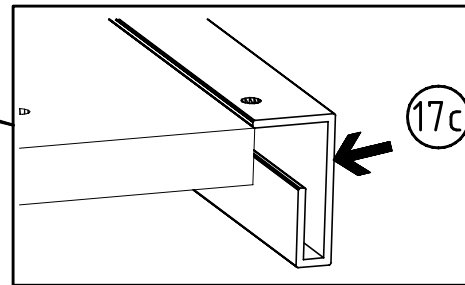
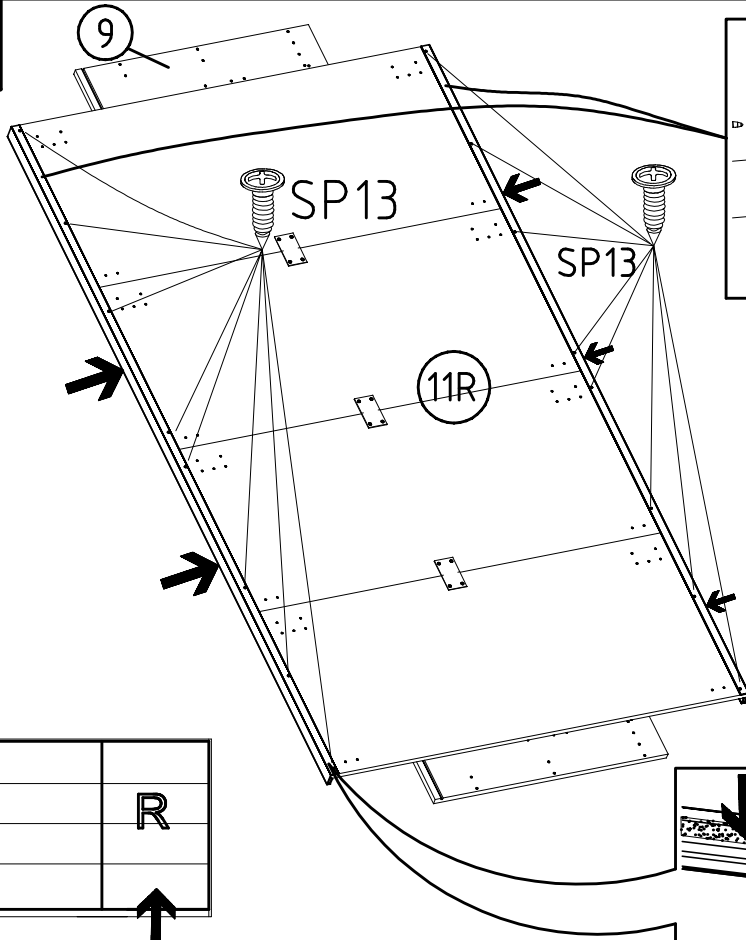
| | | | | |
|---|---|---|---|--|
|  A 12x 111 102 |  T6 4x M6 x 11 mm 121 181 |  L7 8x 111 610 |  G14 10x 3,5 x 35 mm 121 375 |  K22 2x 1088mm 112 404 |
|  C 12x 111 103 |  J1 4x 111 174 |  K1 4x 117 001 |  G1 8x 3,5 x 15 mm 121 370 | |



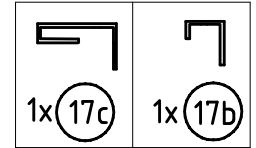
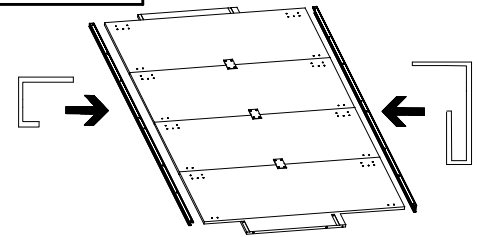
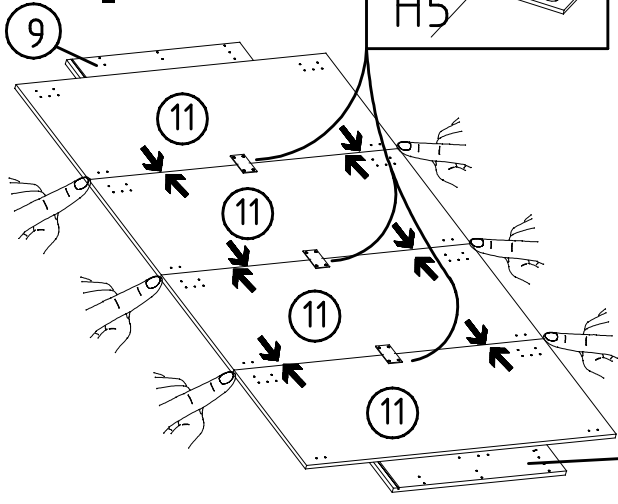
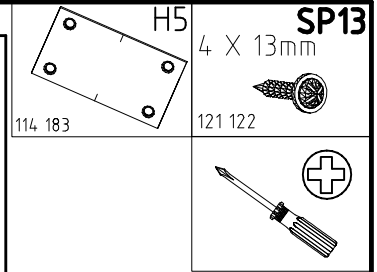
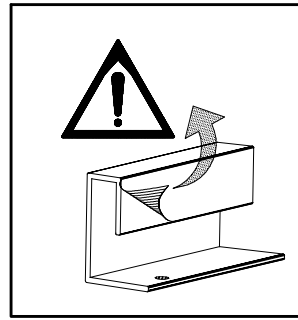
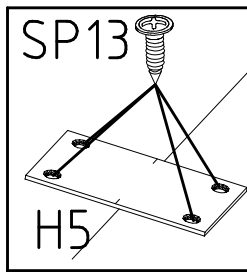
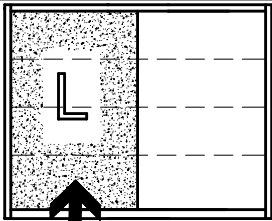
1



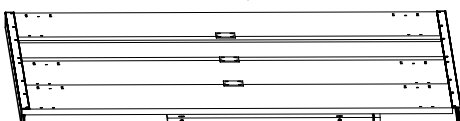
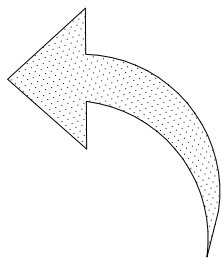
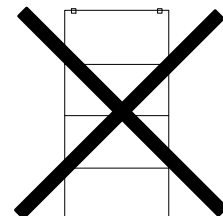
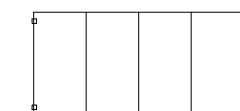
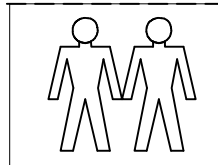
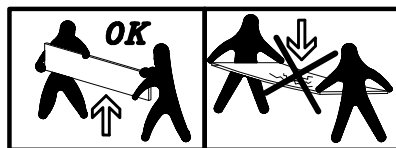
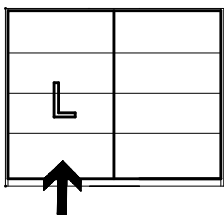
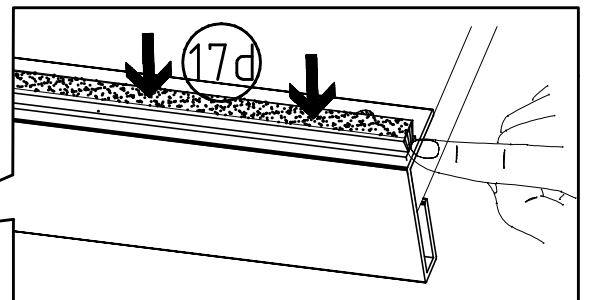
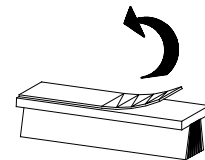
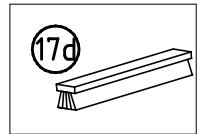
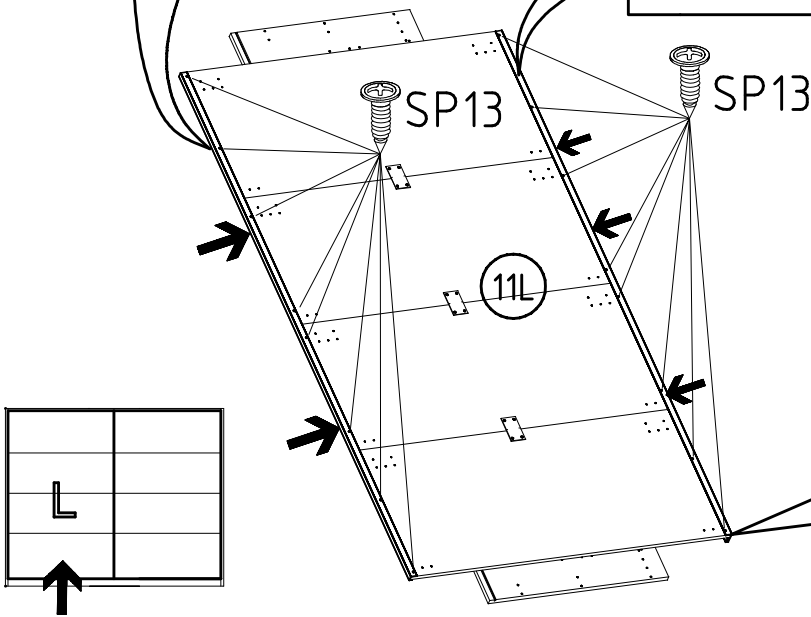
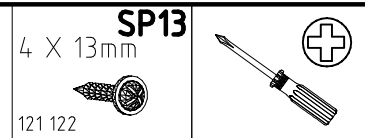
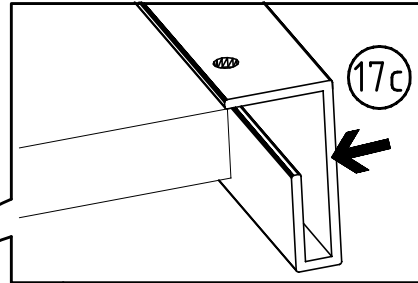
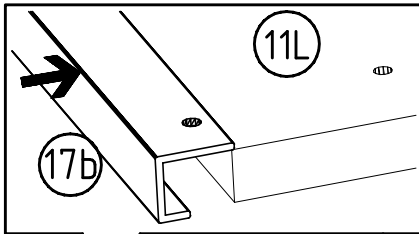
2



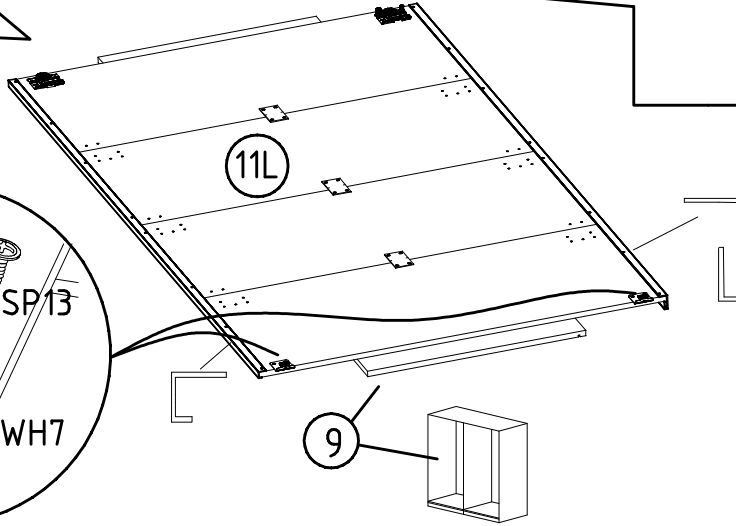
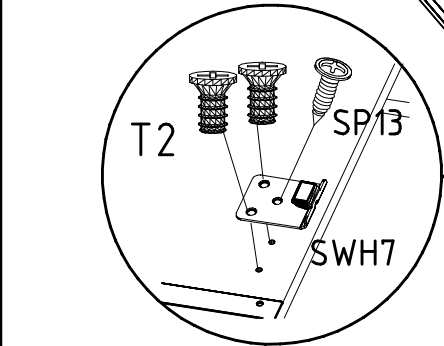
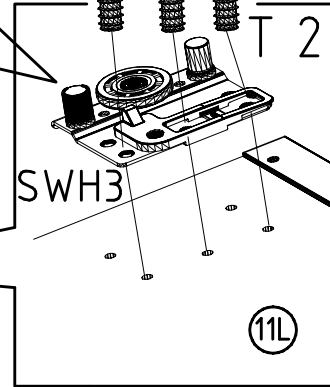
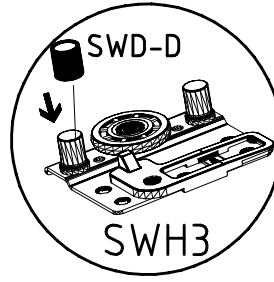
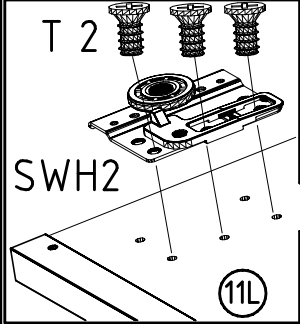
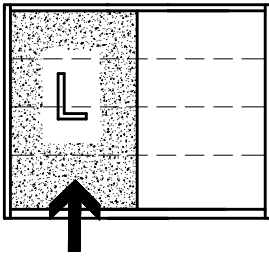
3



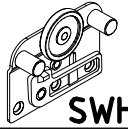
4



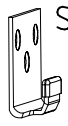
5



SWH2



SWH3



SWH7



SWH-D

6,3 x 10,5 mm T2



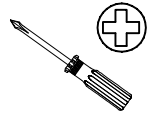
111 030

SP13

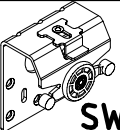
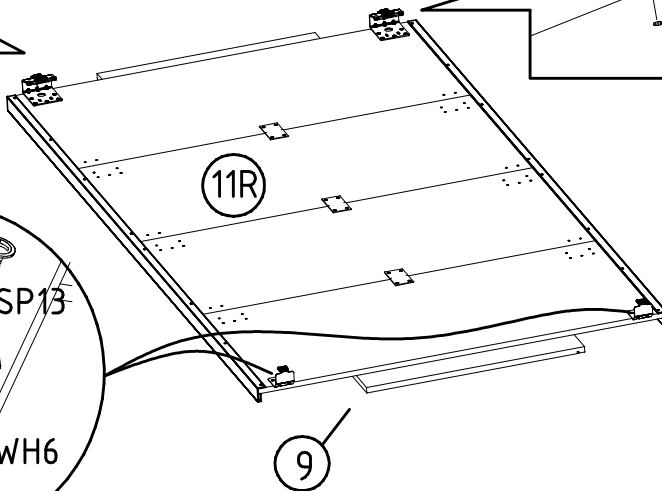
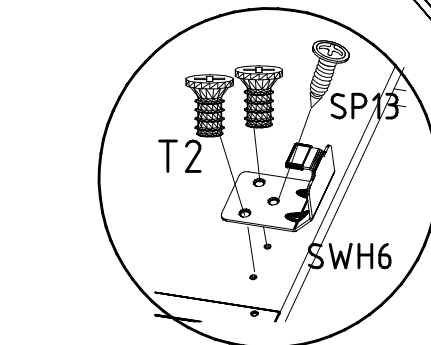
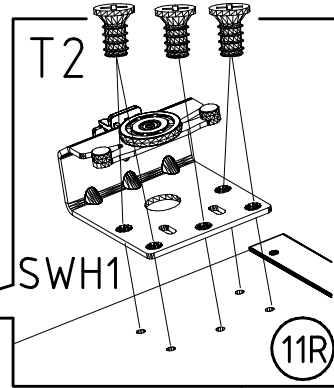
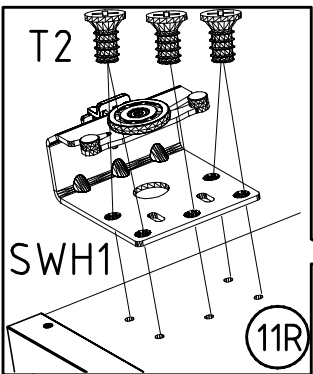
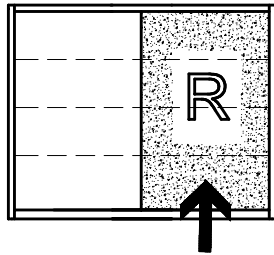
4 X 13mm



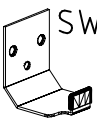
121 122



6



SWH1



SWH6

6,3 x 10,5 mm T2



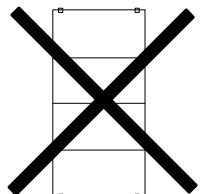
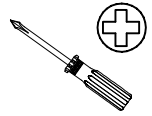
111 030

SP13

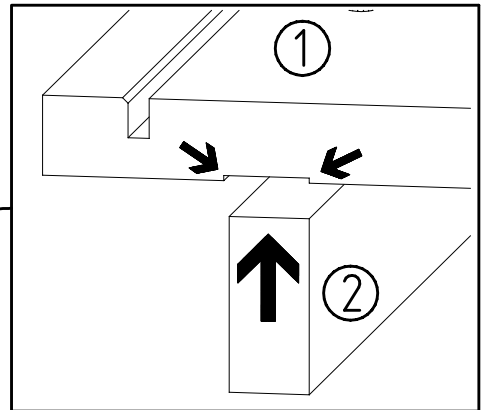
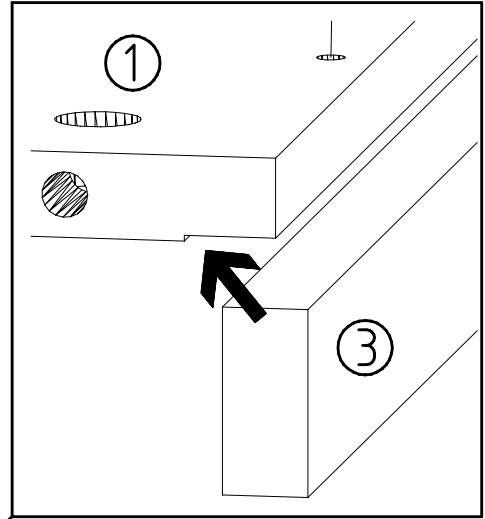
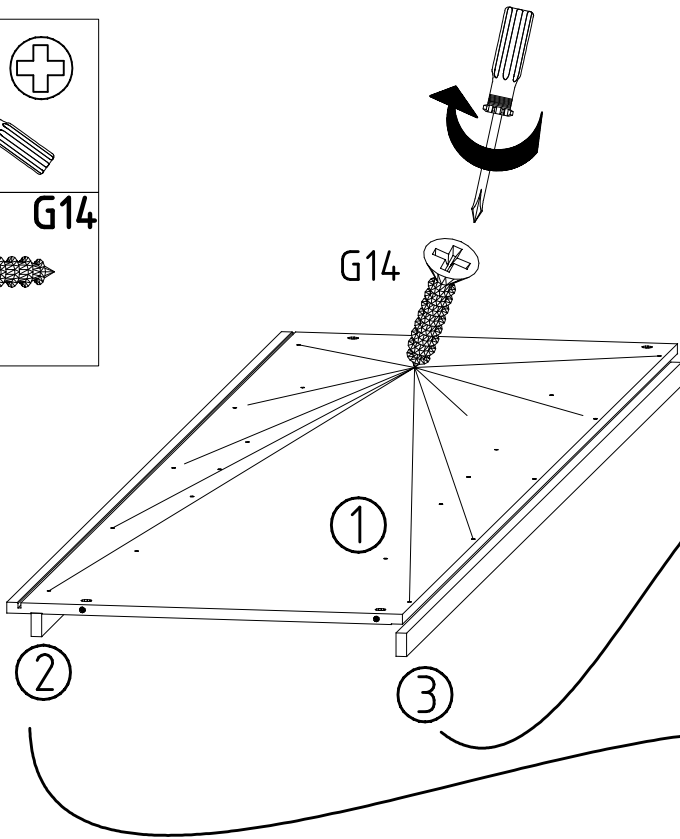
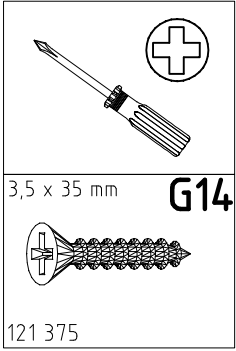
4 X 13mm



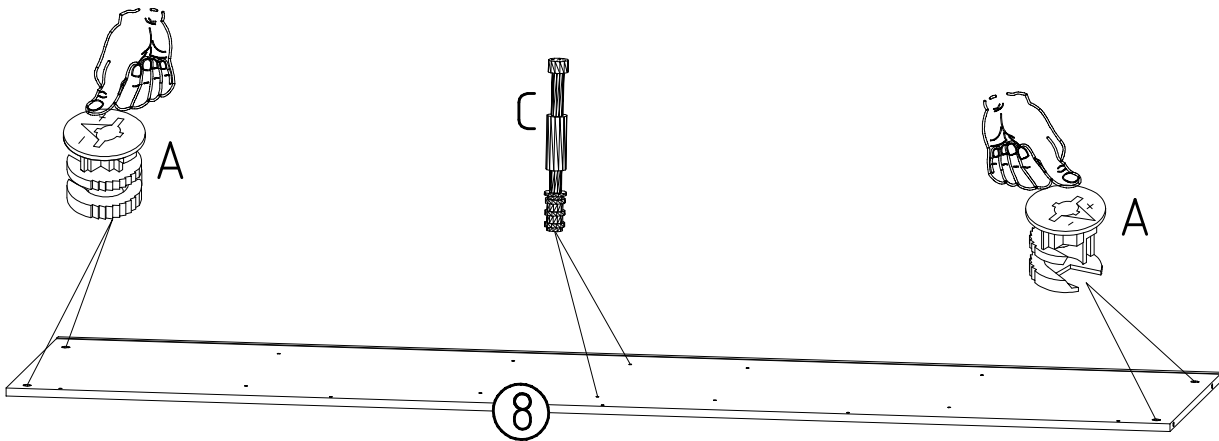
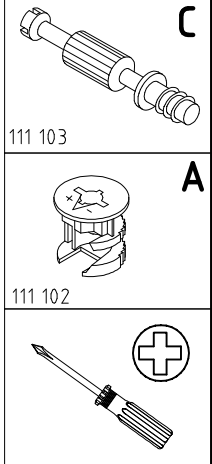
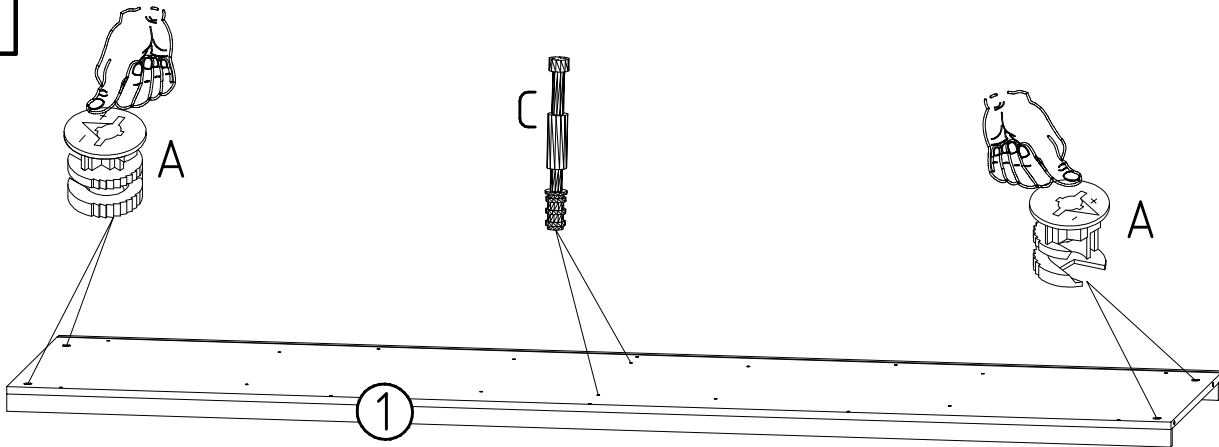
121 122



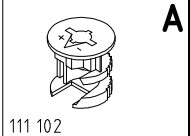
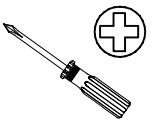
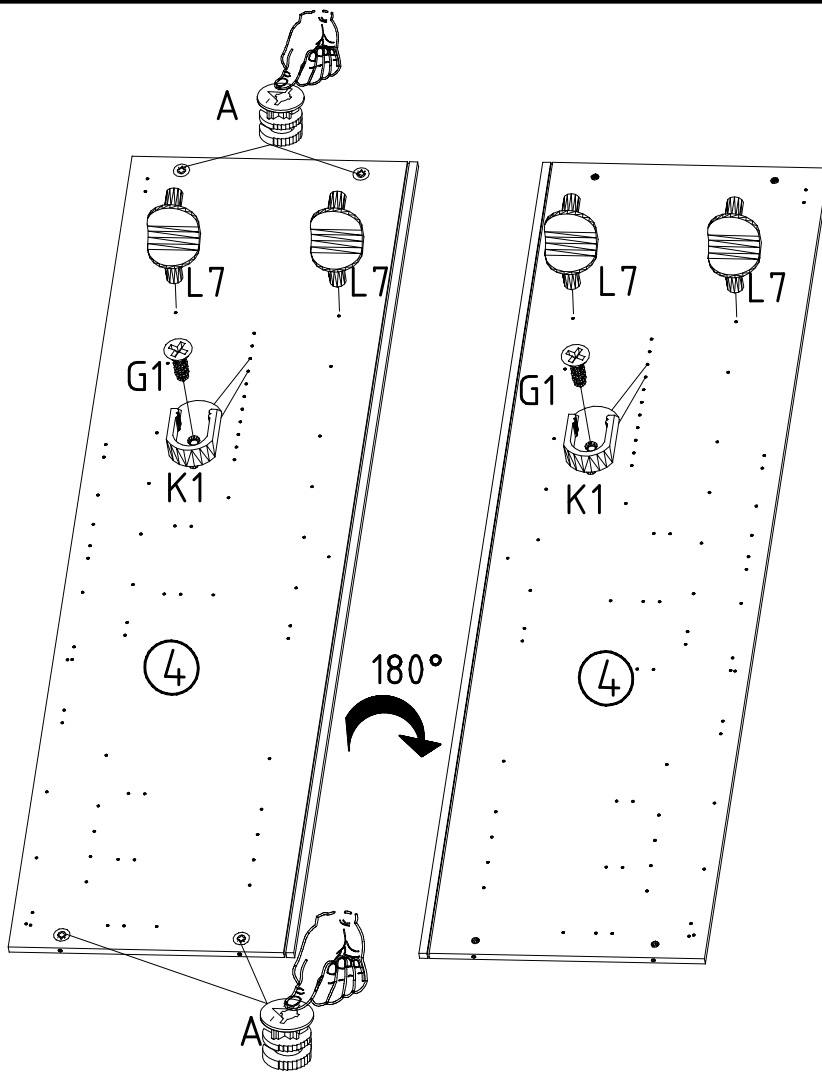
7



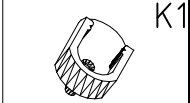
8



9



111 102

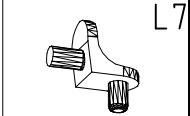


117 001

3,5 x 15 mm

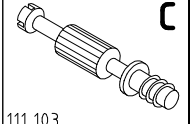
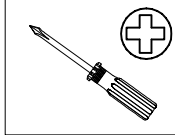
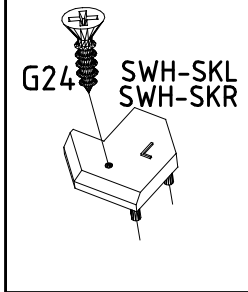


121 370



111 610

10

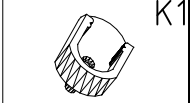


111 103

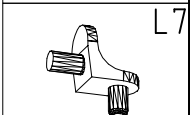
3,5 x 15 mm



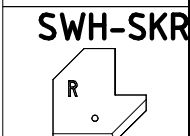
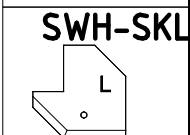
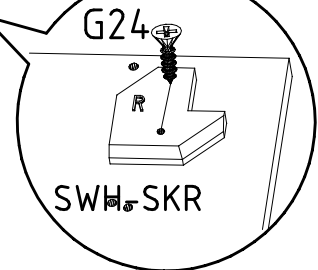
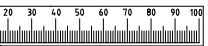
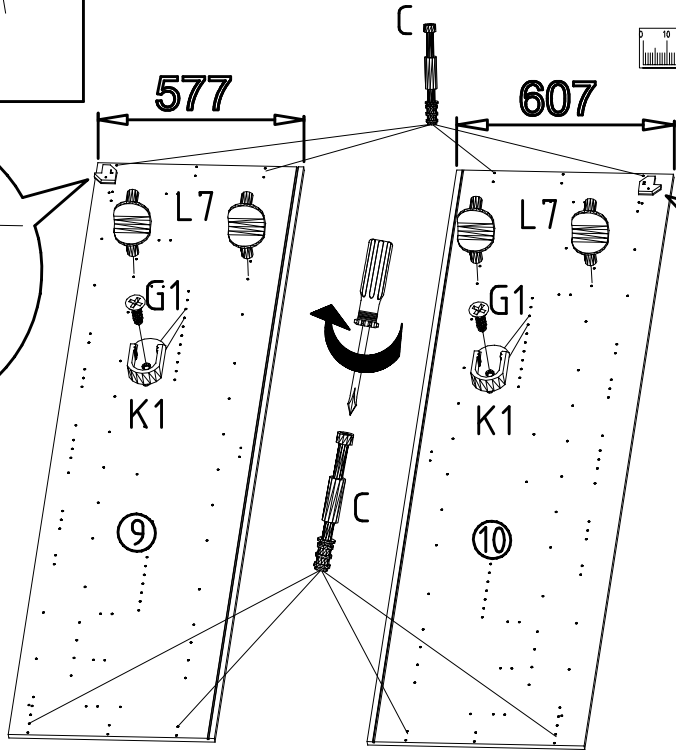
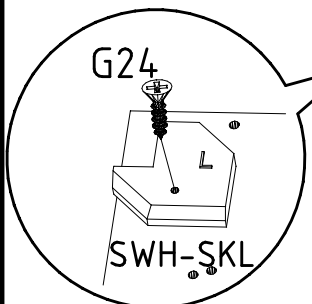
121 370



117 001



111 610

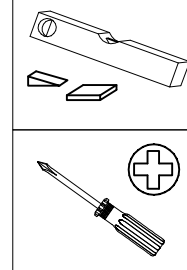
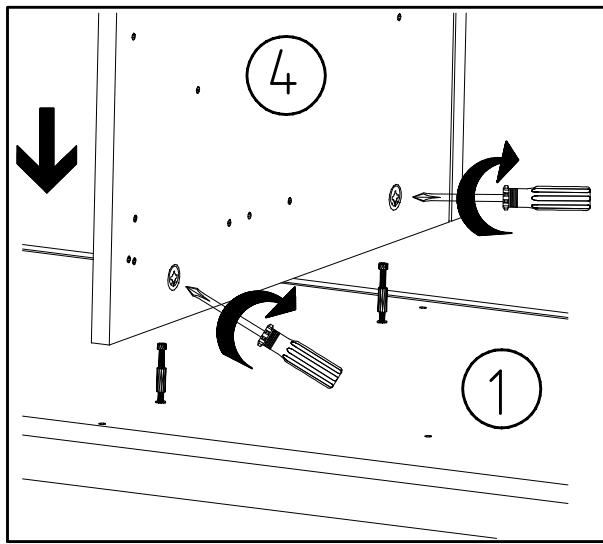
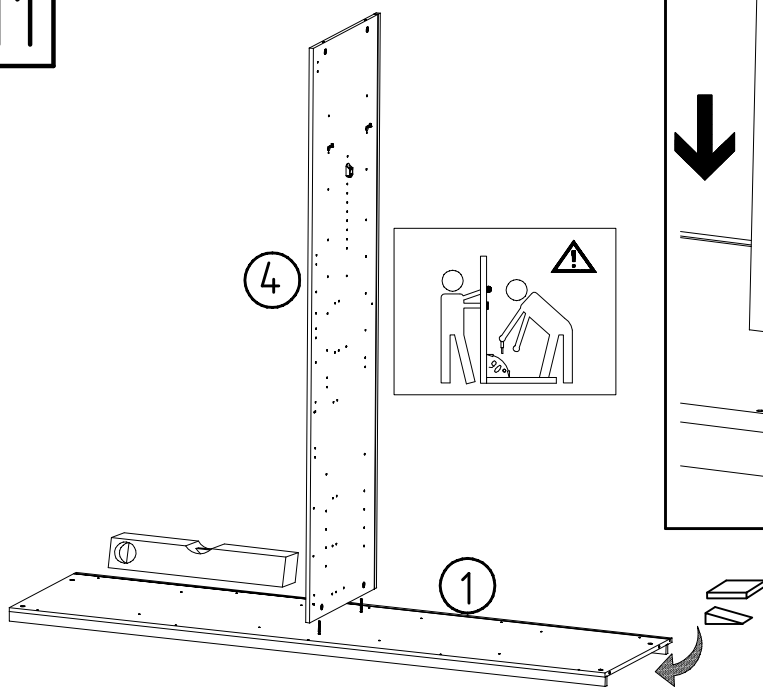


3,5 x 22 mm

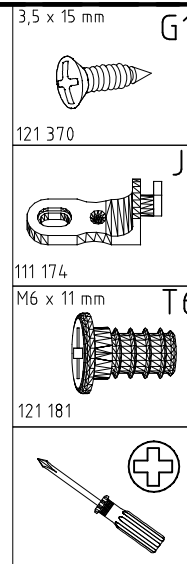
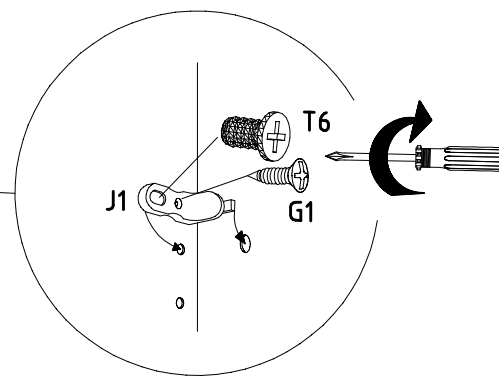
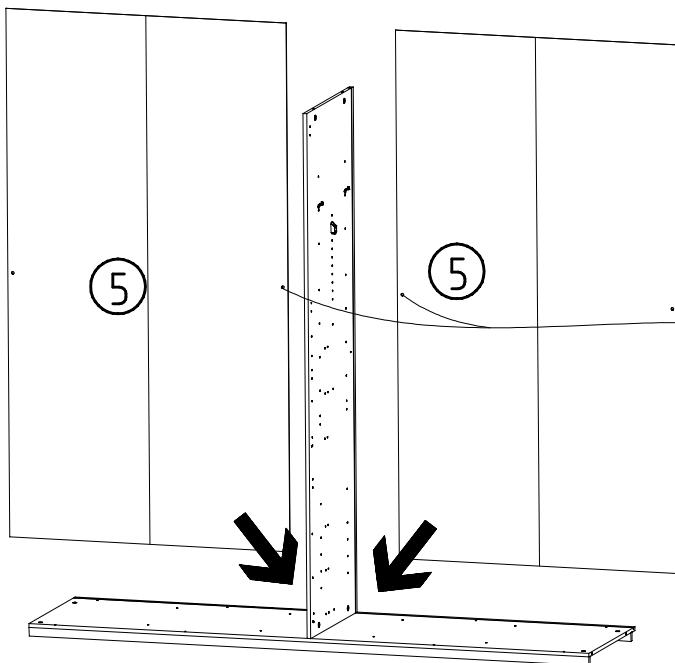


121 004

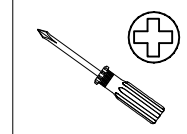
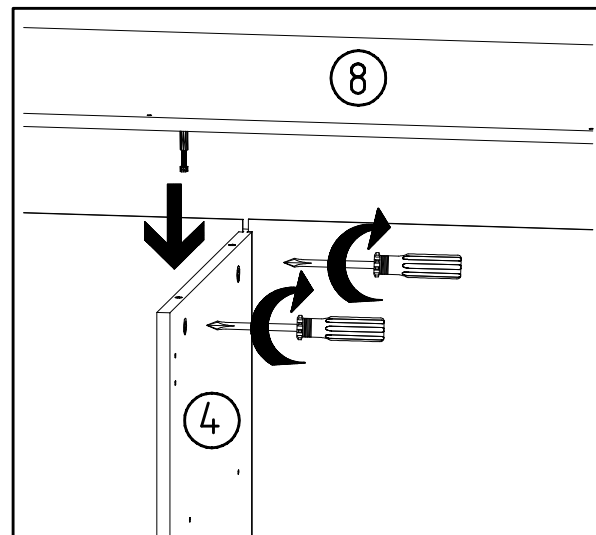
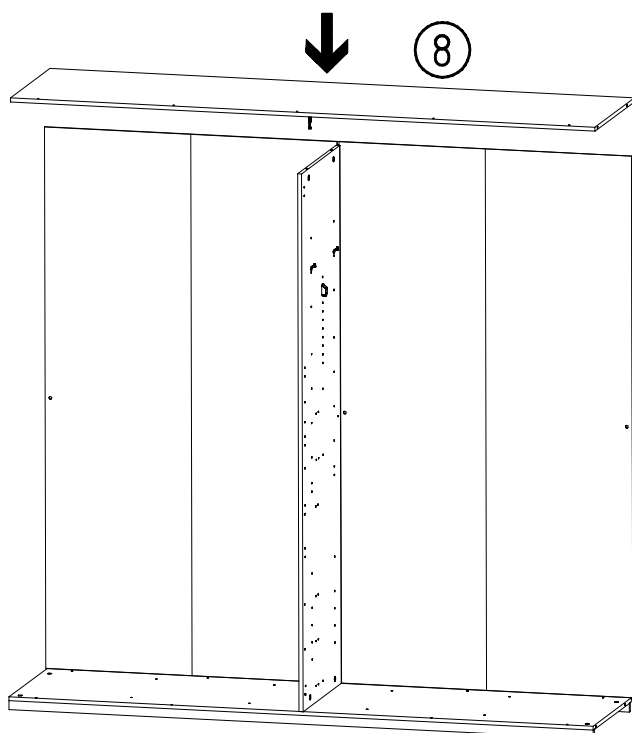
11

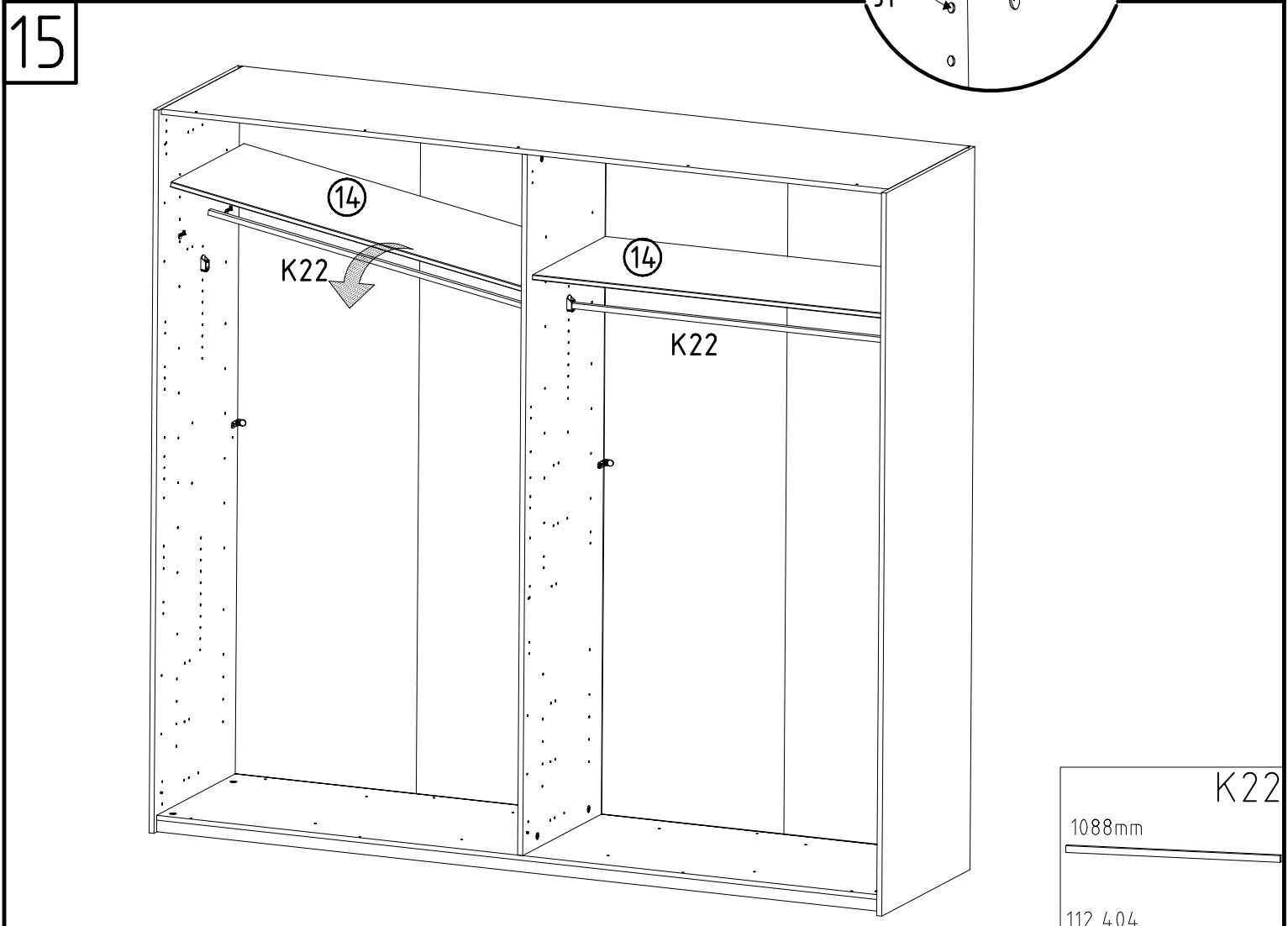
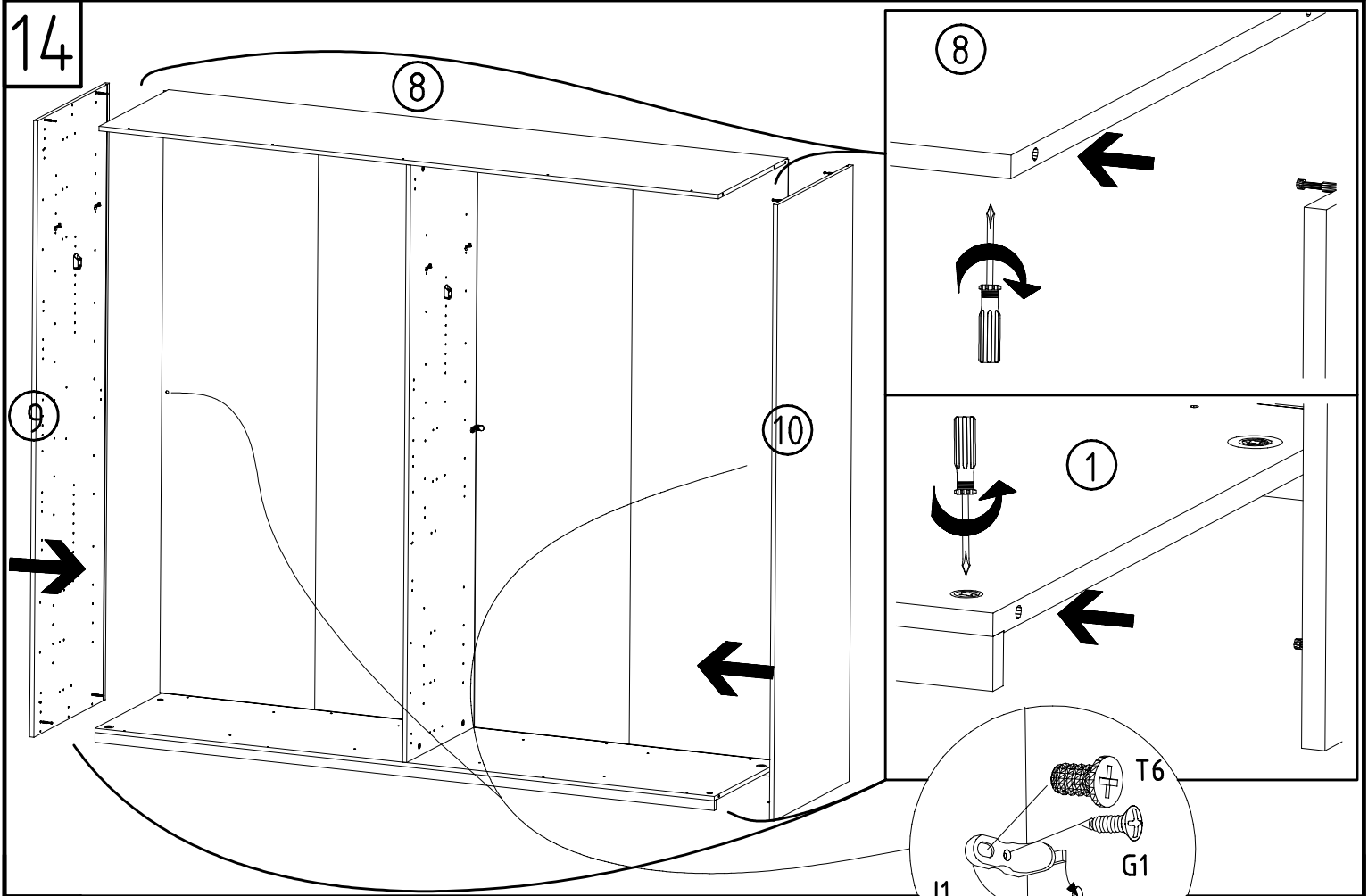


12



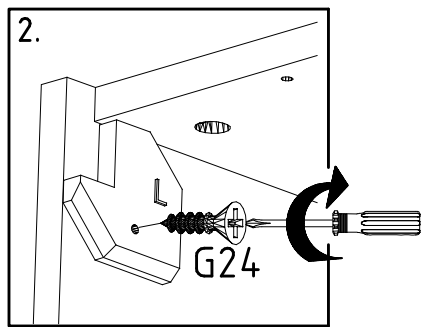
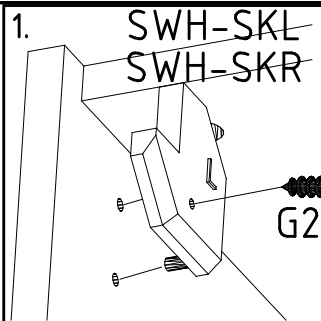
13



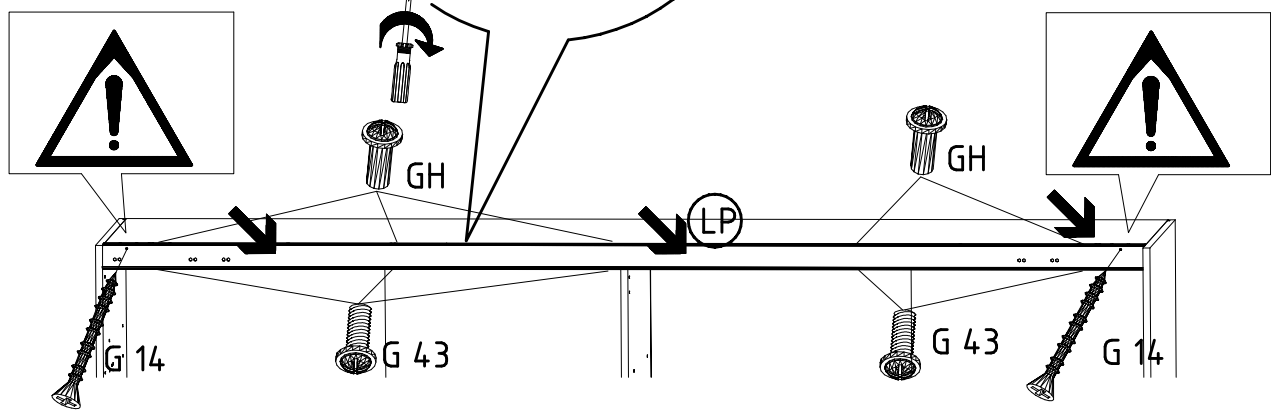
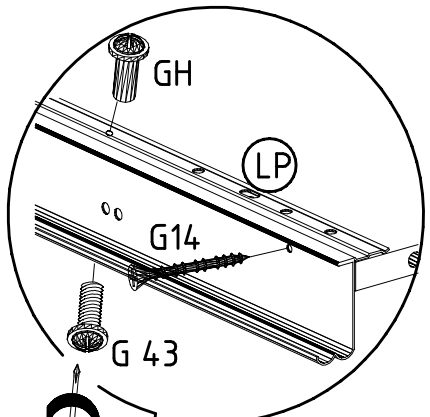
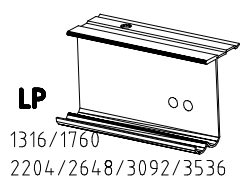
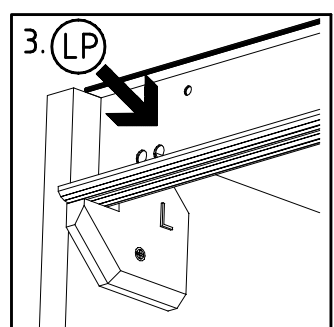


K22
1088mm
112 404

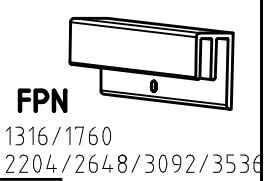
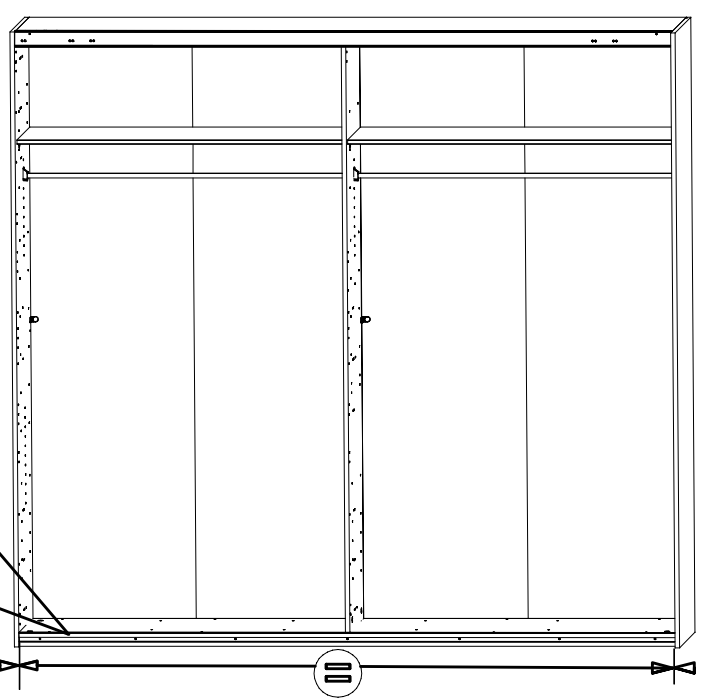
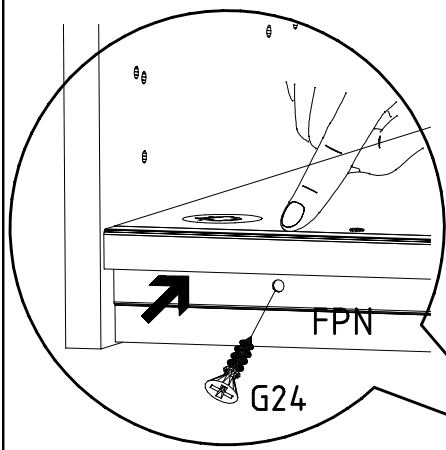
16



- | | | | | | |
|------------------------|------------|-----------------------|-----|-----------------------|------|
| 3,5 x 35 mm 121 375 | G14 | M4 x 10 mm 121 xxx | G43 | M4 x 13 mm 121 xxx | GH13 |
|------------------------|------------|-----------------------|-----|-----------------------|------|

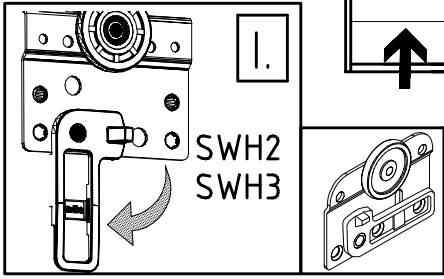
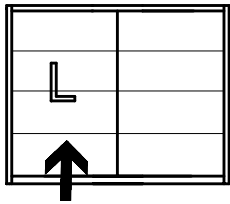


17

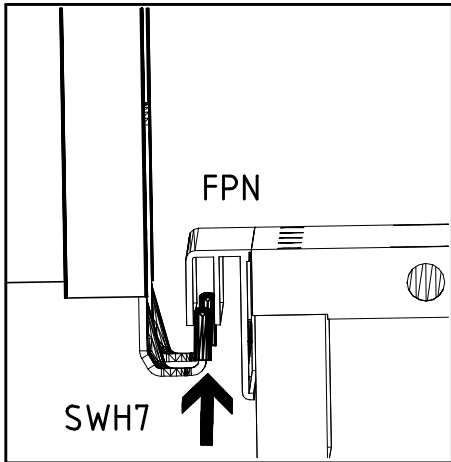


- | | |
|------------------------|------------|
| 3,5 x 22 mm 121 004 | G24 |
|------------------------|------------|

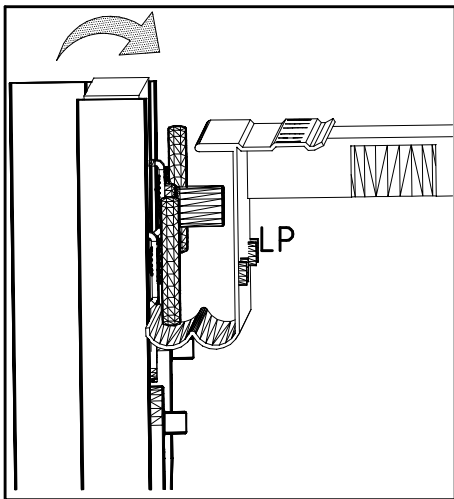
18



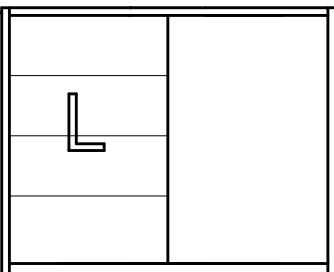
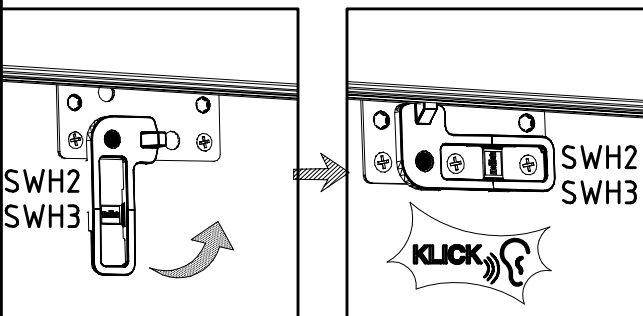
I.



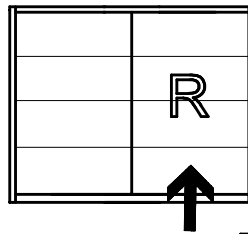
III.



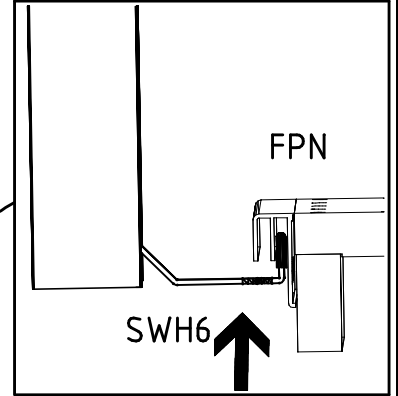
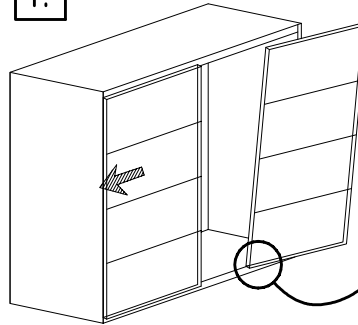
IV.



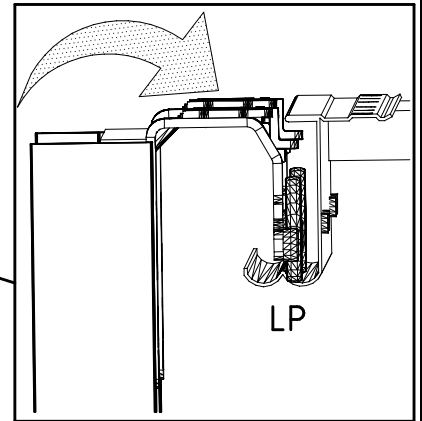
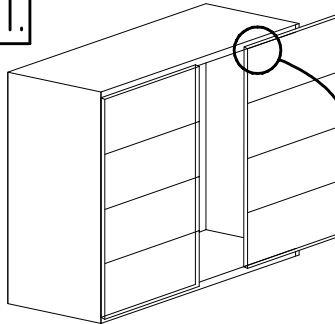
19



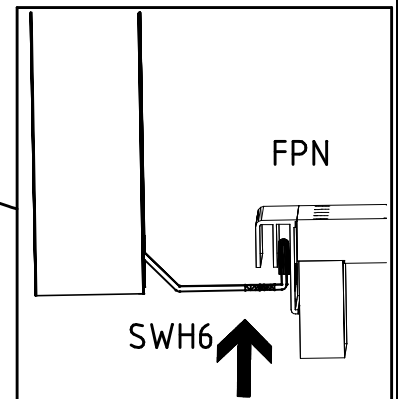
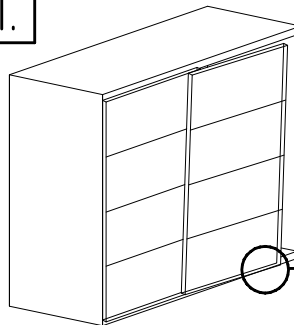
I.



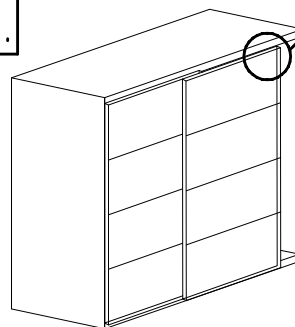
II.



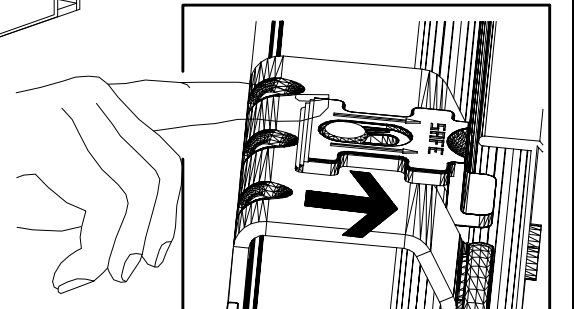
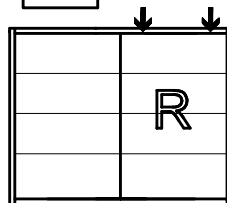
III.

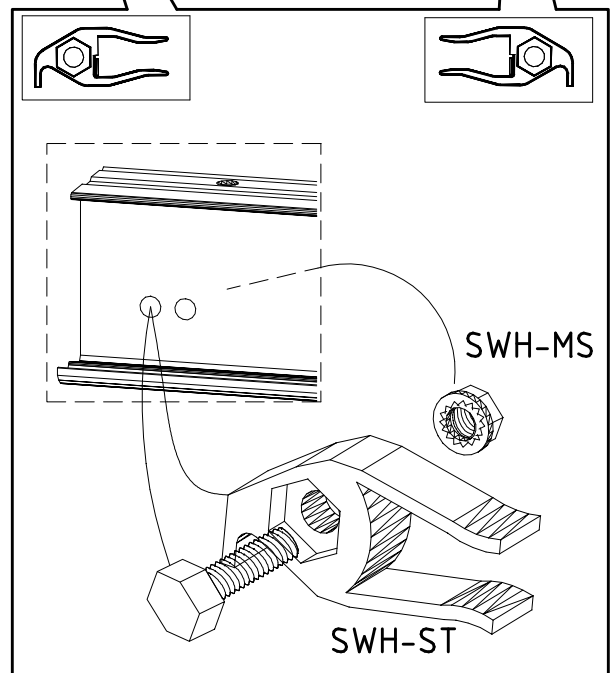
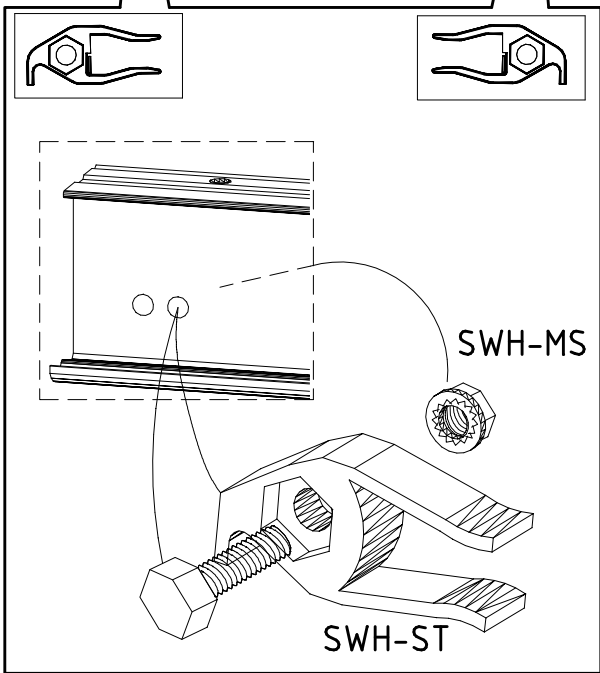
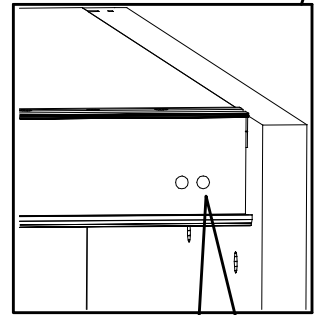
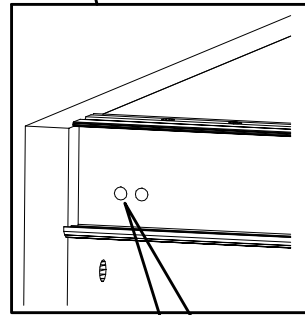
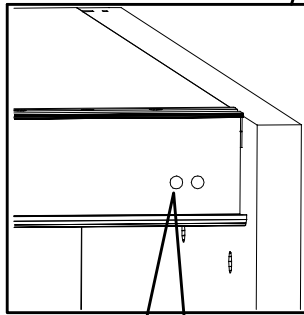
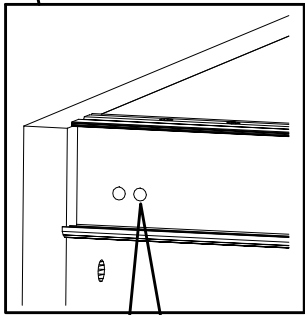
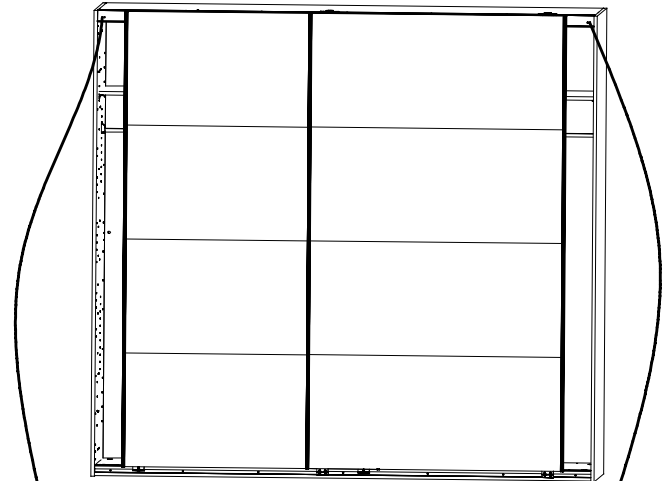
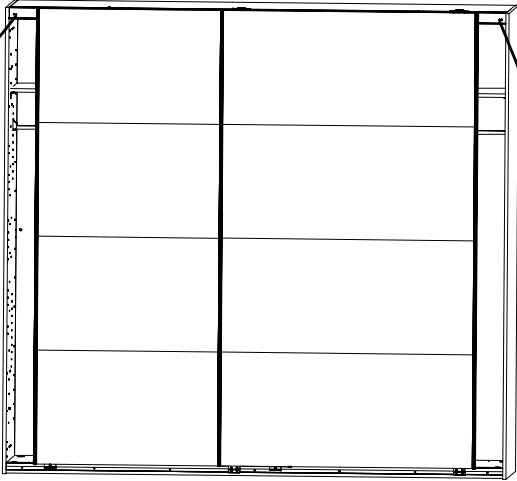
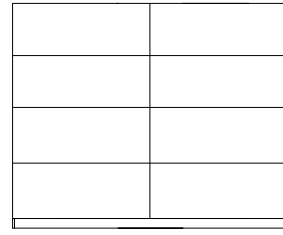
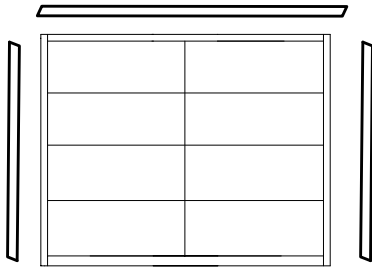
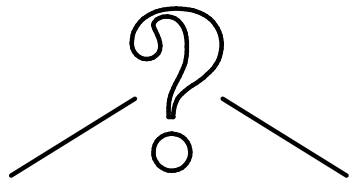
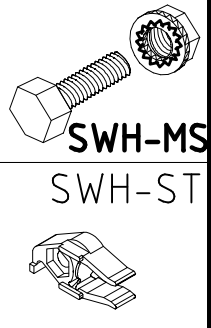


IV.

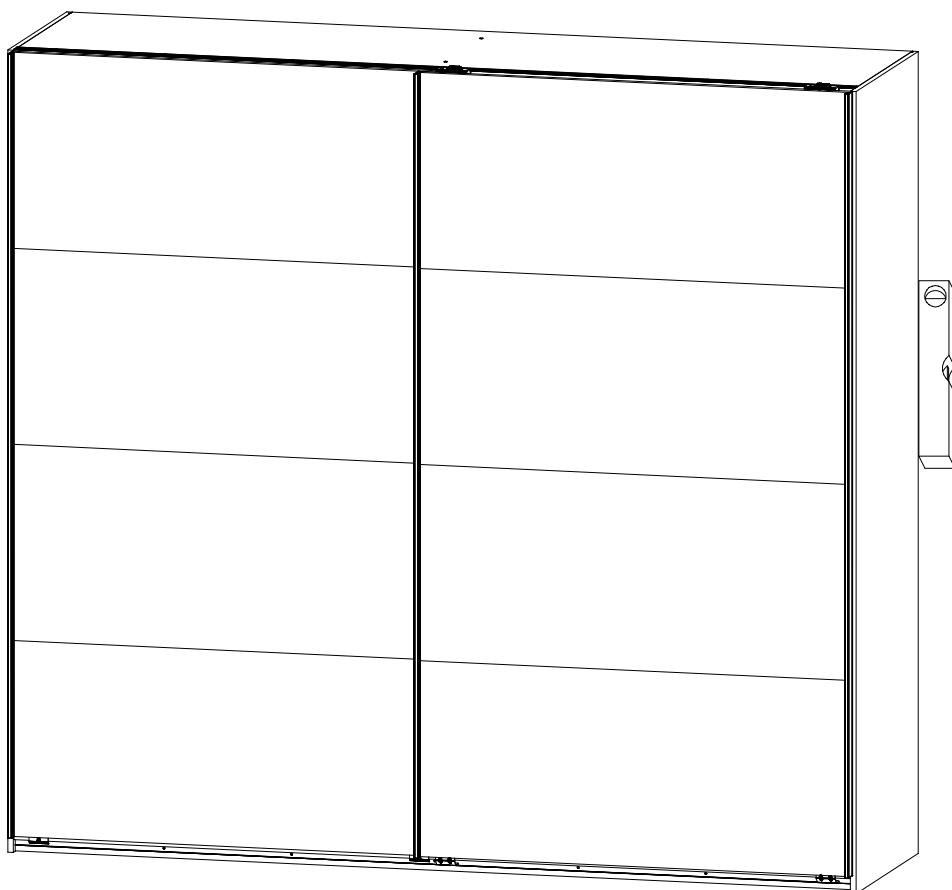
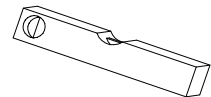


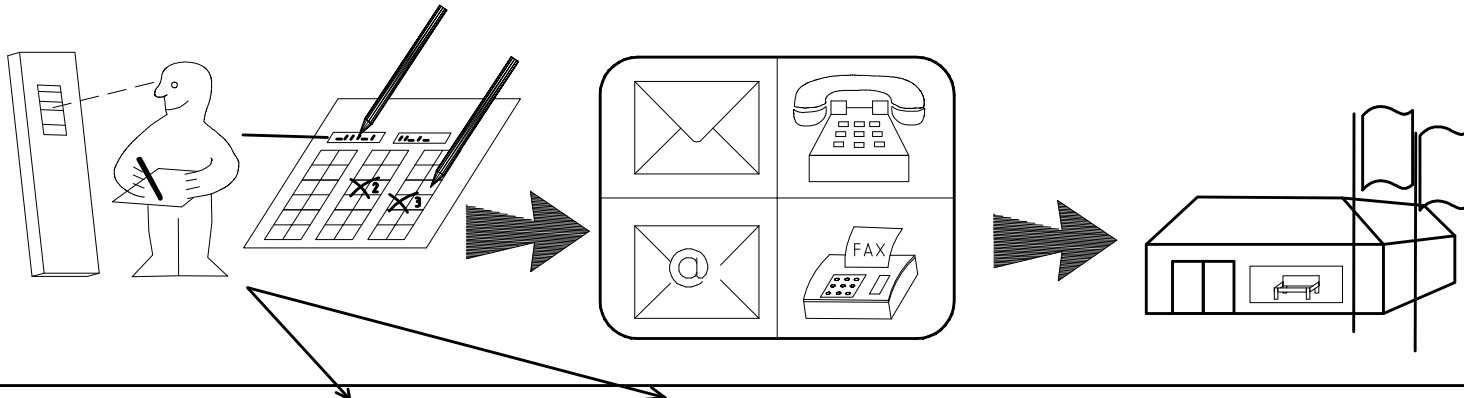
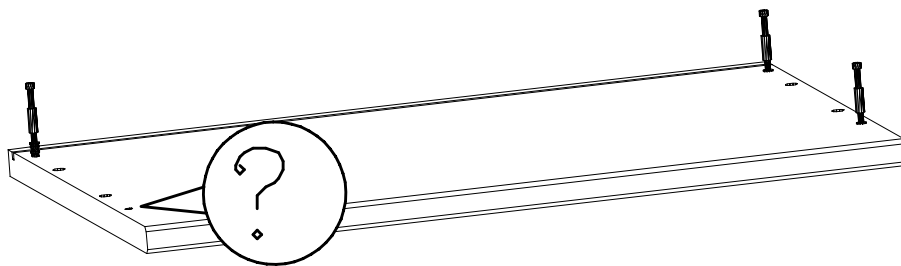
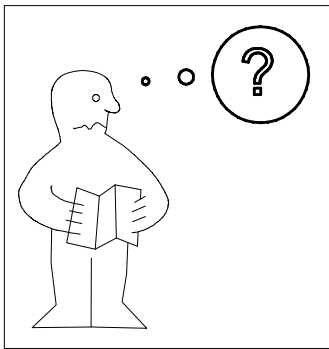
V.





21





Auftrag/Order-No
No. de Commande

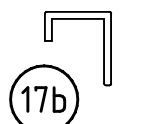
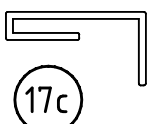
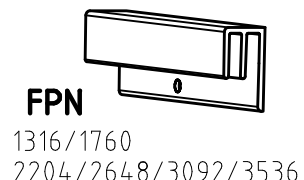
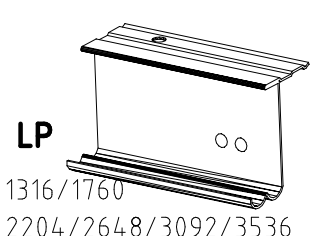
Kunde/Customer
Client

| | |
|--|------------------------------------|
| | SWH1 |
| | SWH2 |
| | SWH3 |
| | SWH 6 |
| | SWH 7 |
| | SP13 4 X 13mm 121 122 |

| | |
|--|---------------------------------------|
| | SWH-D |
| | SWH-SKL |
| | SWH-SKR |
| | SWH-ST |
| | SWH-MS |
| | T2 6,3 x 10,5 mm 111 030 |

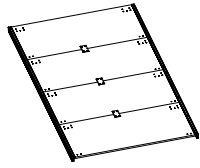
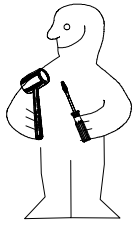
| | |
|--|--------------------------------------|
| | G1 3,5 x 15 mm 121 370 |
| | G24 3,5 x 22 mm 121 004 |
| | A 111 102 |
| | L7 111 610 |
| | H5 114 183 |
| | G14 3,5 x 35 mm 121 375 |

| | |
|--|--------------------------------------|
| | K1 117 001 |
| | C 111 103 |
| | J1 111 174 |
| | T6 M6 x 11 mm 121 181 |
| | K22 1088mm 112 404 |
| | G43 M4 x 10 mm 121 xxx |
| | GH13 M4 x 13 mm 121 xxx |

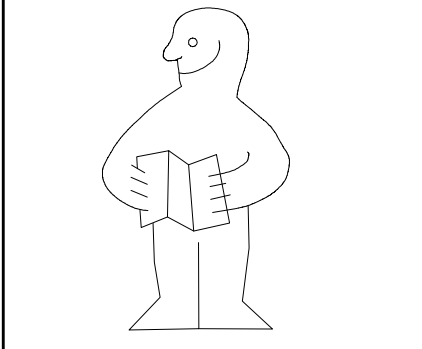
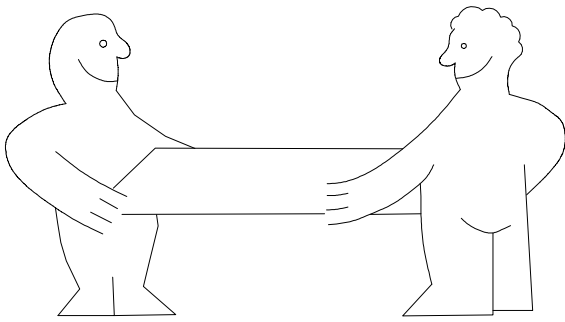
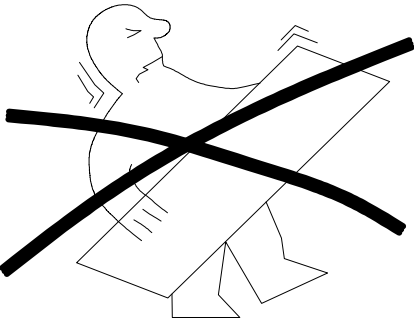
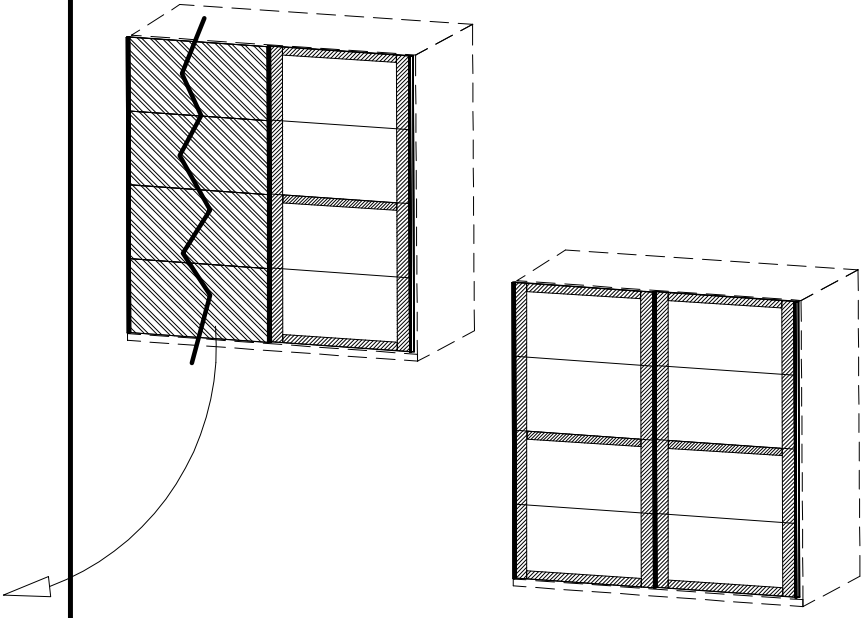
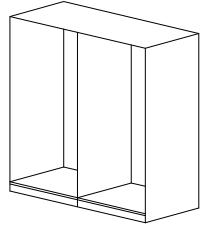
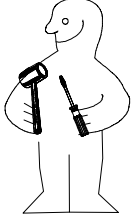


980888

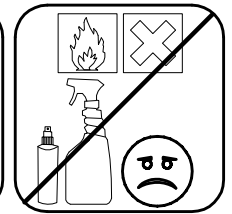
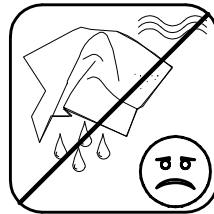
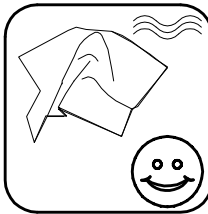
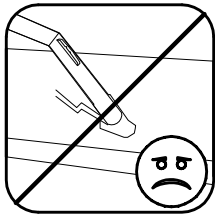
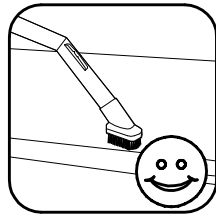
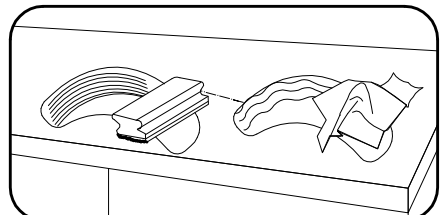
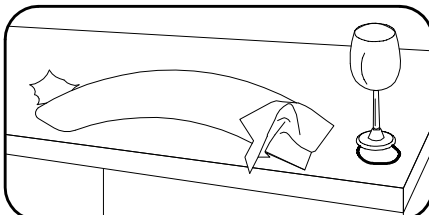
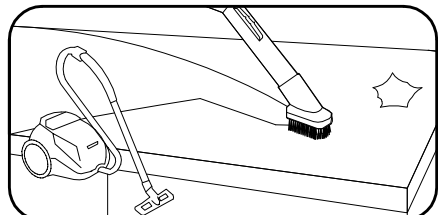
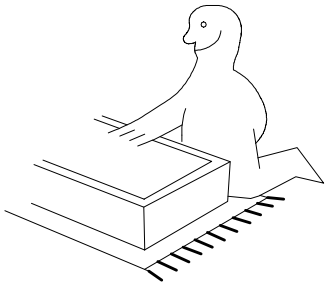
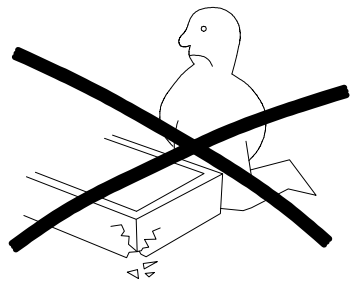
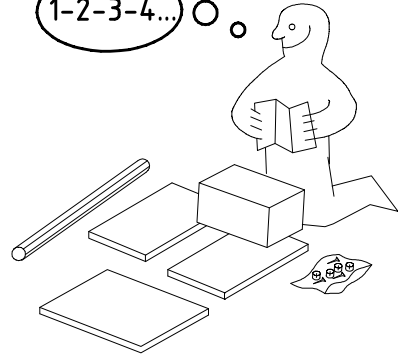
1.

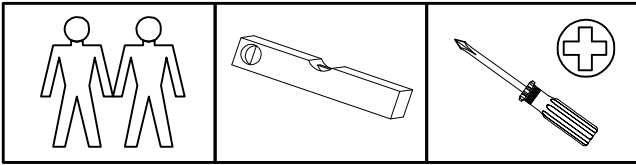


2.

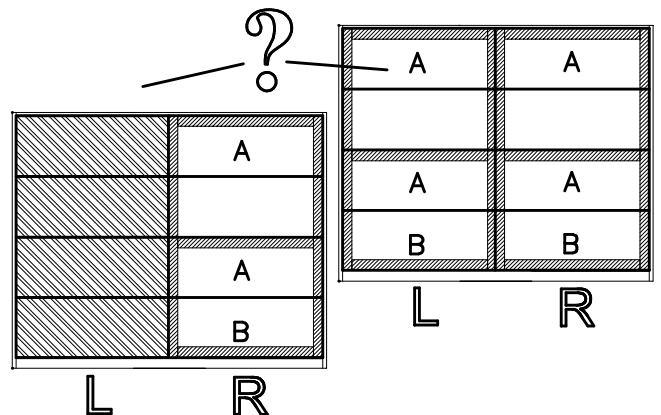
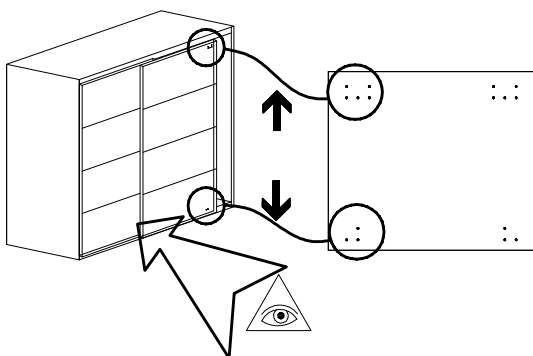
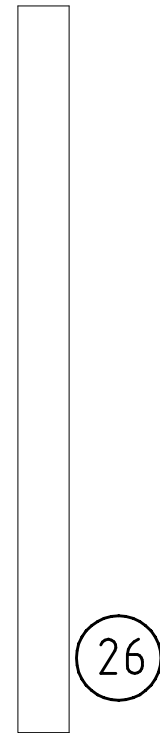
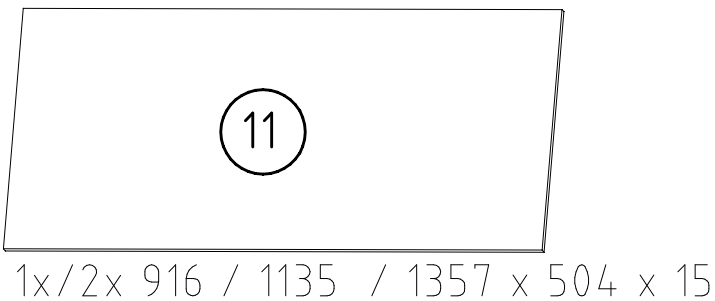
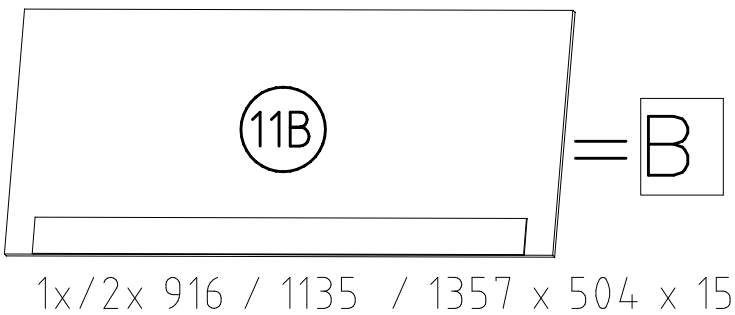
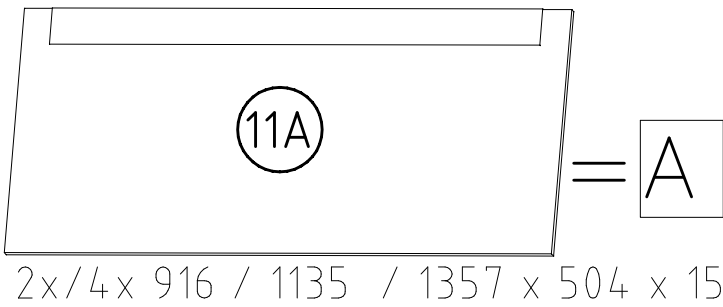
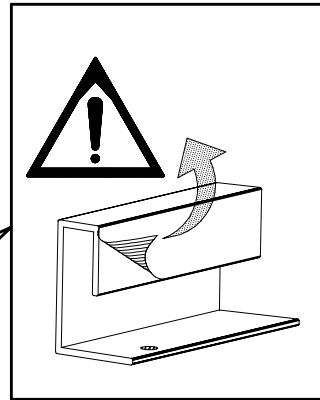
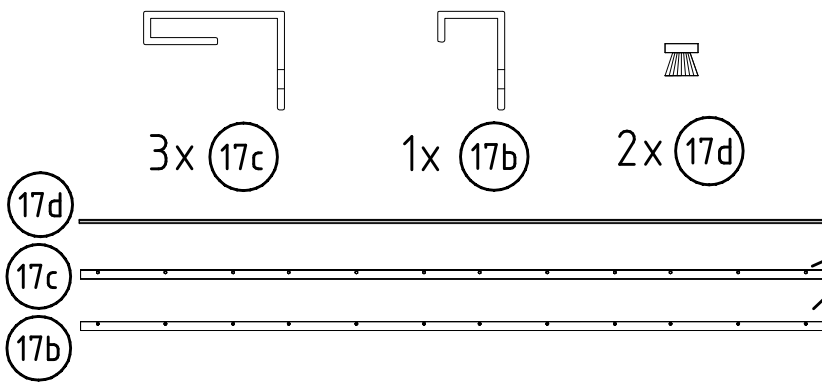
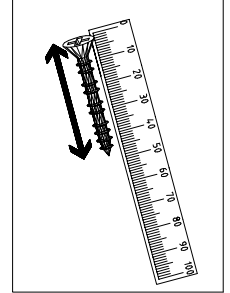
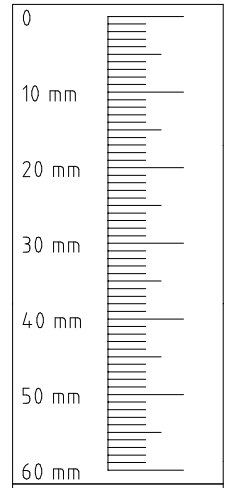


1-2-3-4... ○ ○

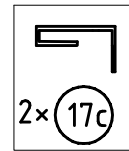
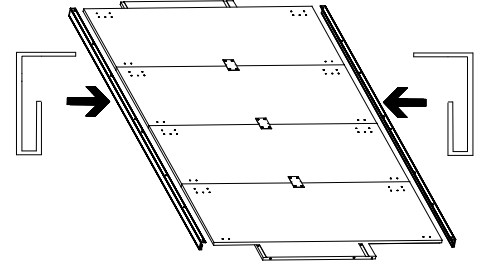
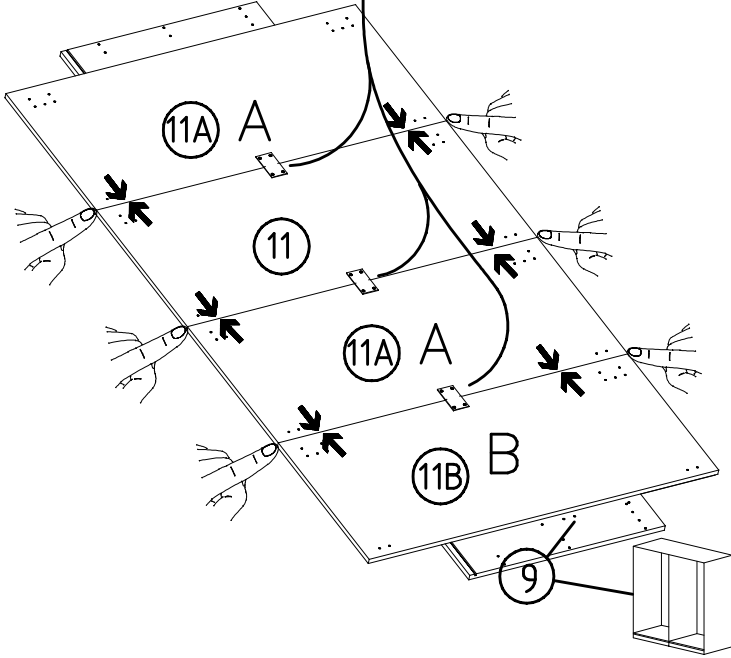
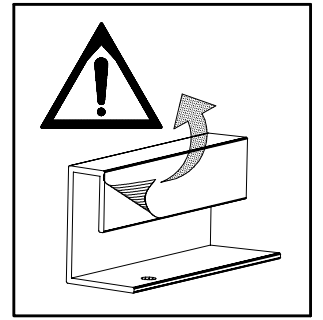
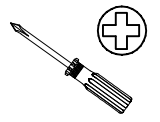
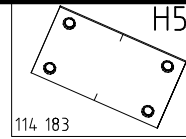
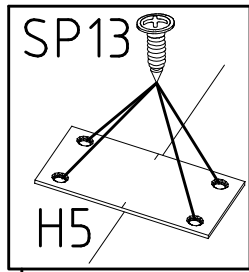
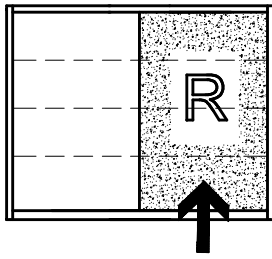




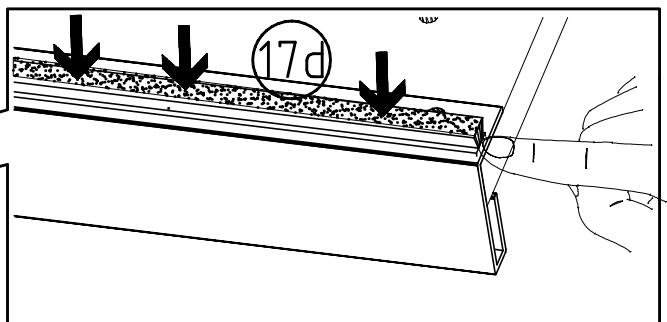
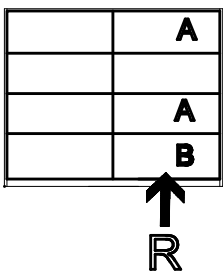
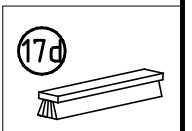
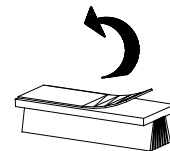
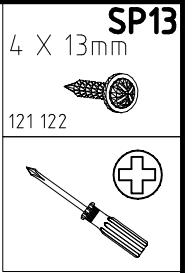
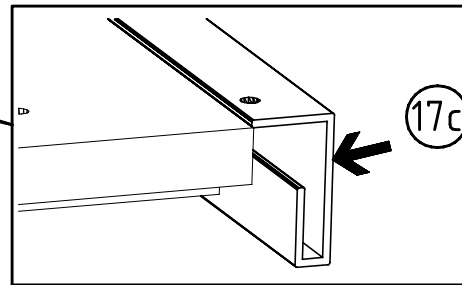
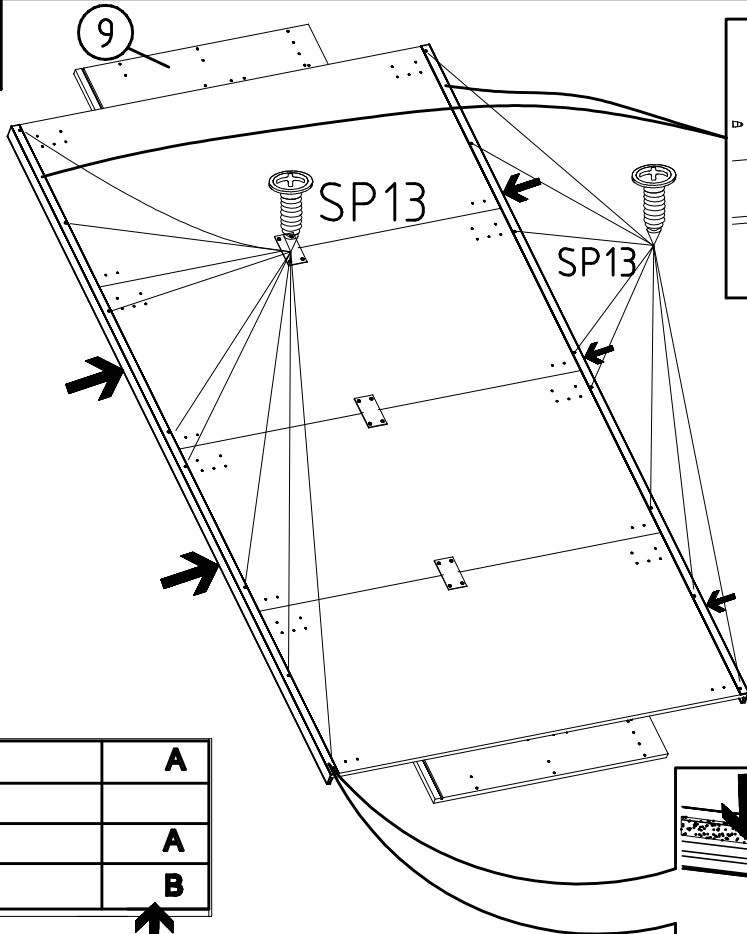
| | |
|--|-----|
| SP13 4 X 13mm 121 122 | 56x |
| H5 114 183 | 6x |



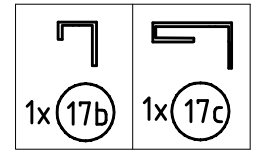
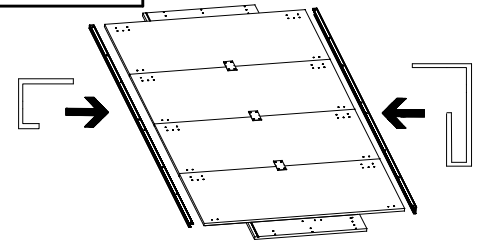
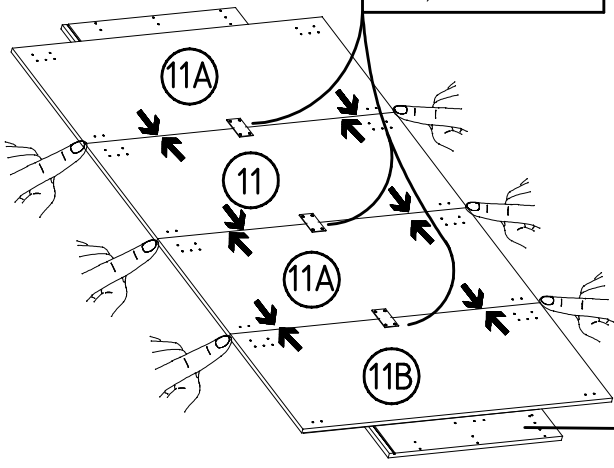
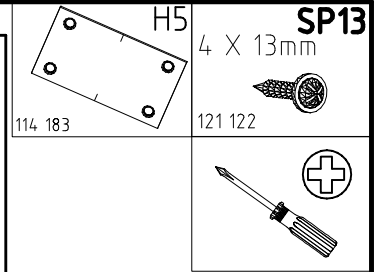
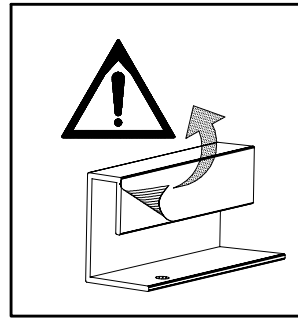
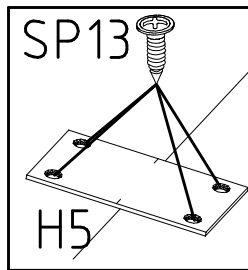
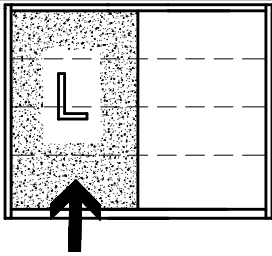
1



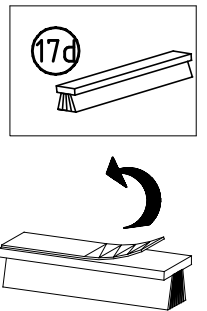
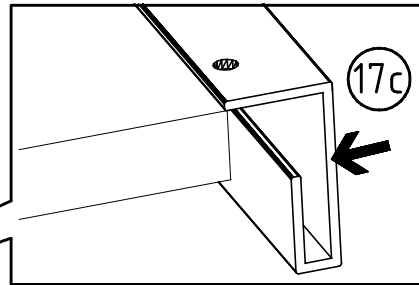
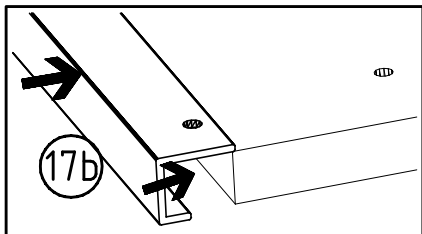
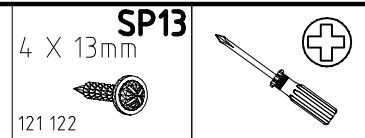
2



3

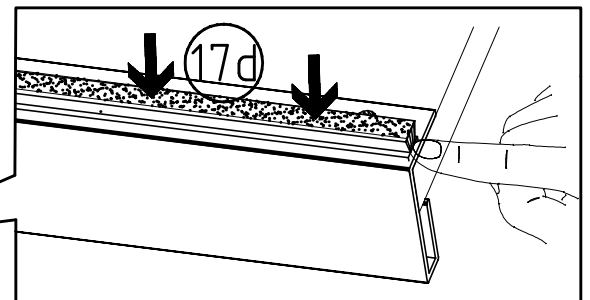
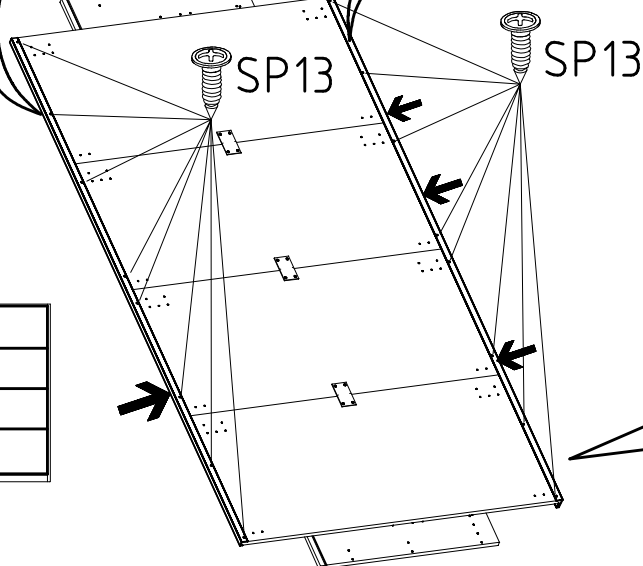


4

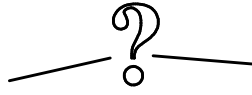
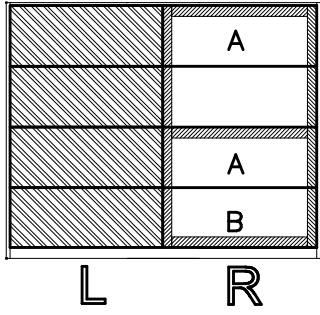


| | |
|---|--|
| A | |
| A | |
| B | |

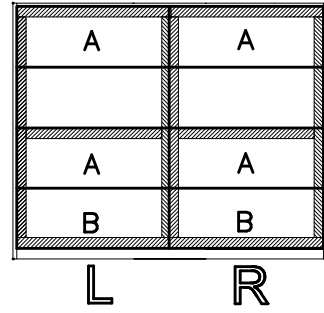
↑
L



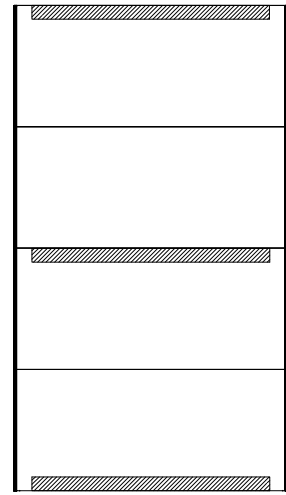
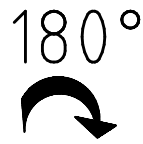
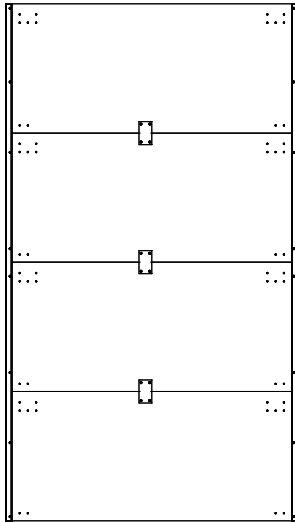
2x



4x

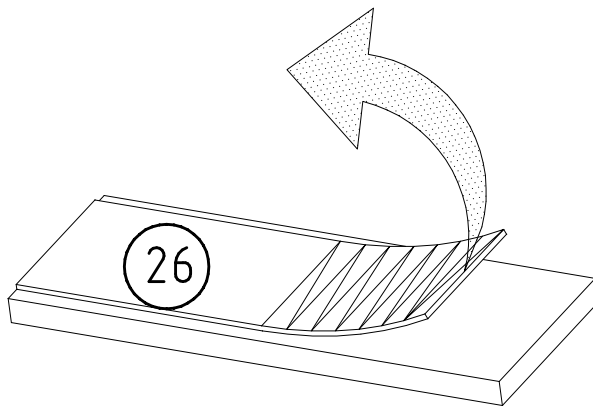


1.



2.

2x/4x =



3.

