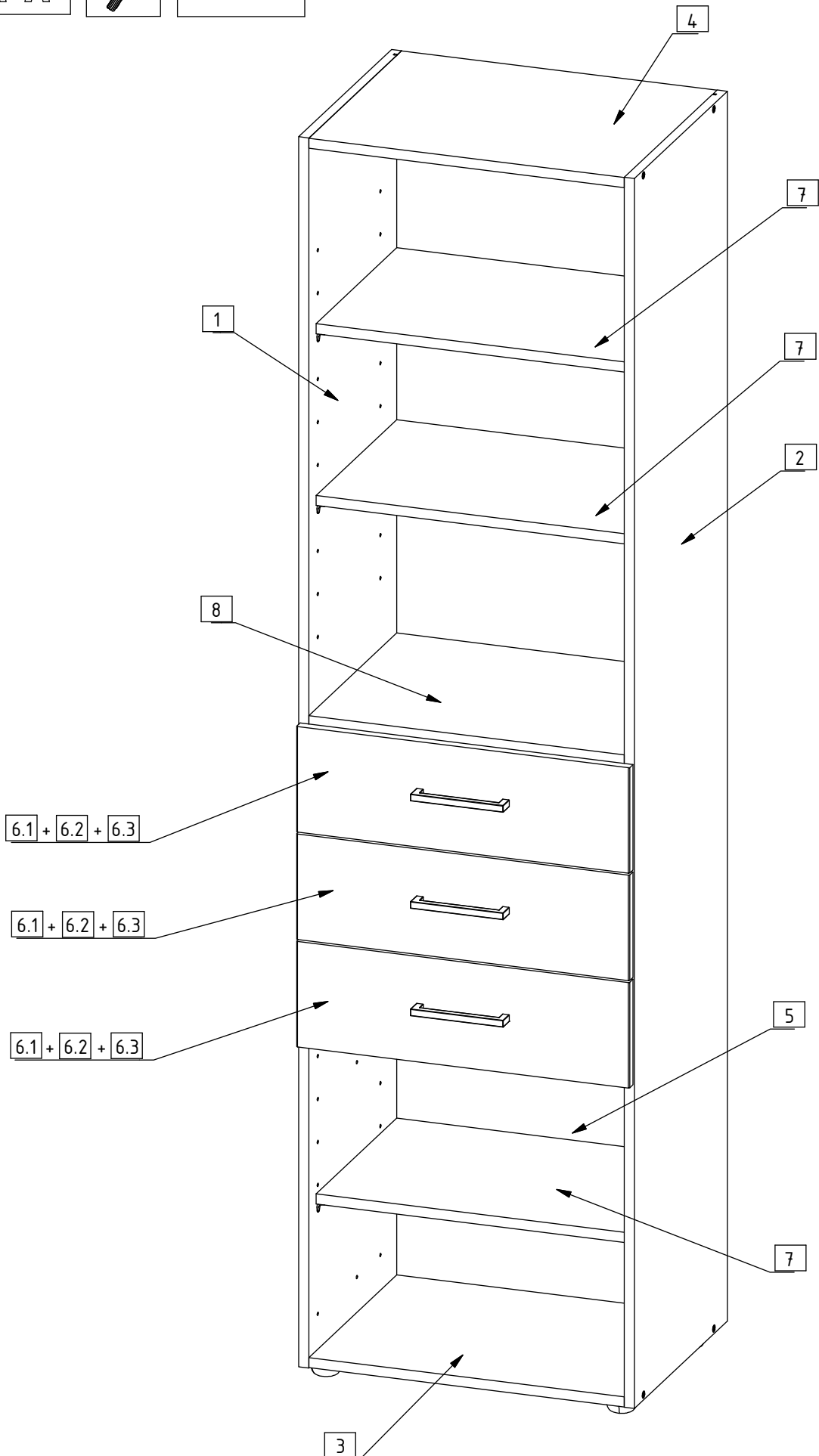
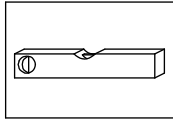
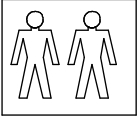
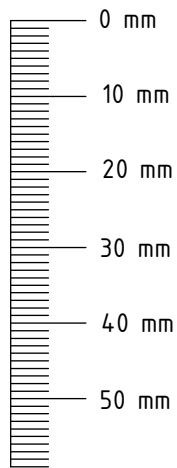
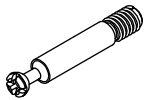
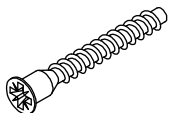

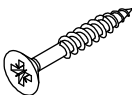
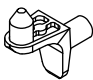
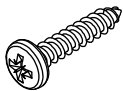
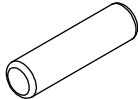
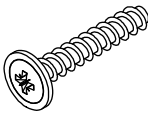
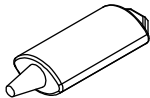

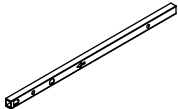
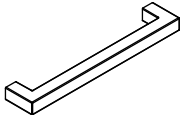

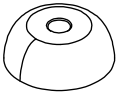



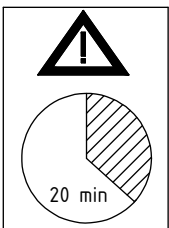
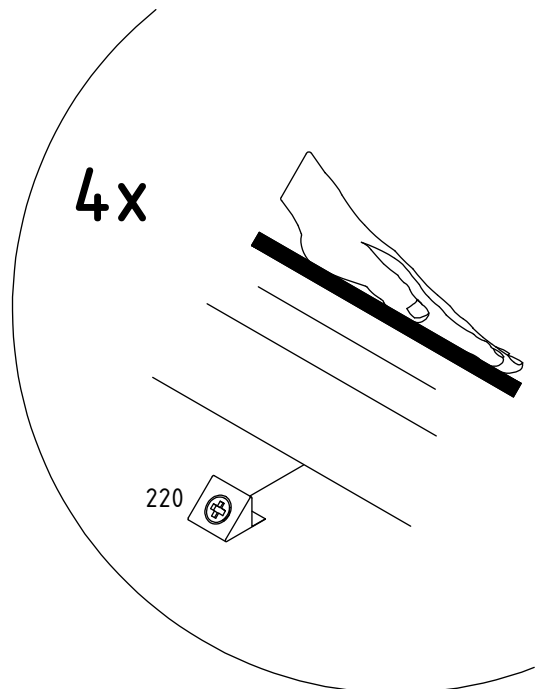
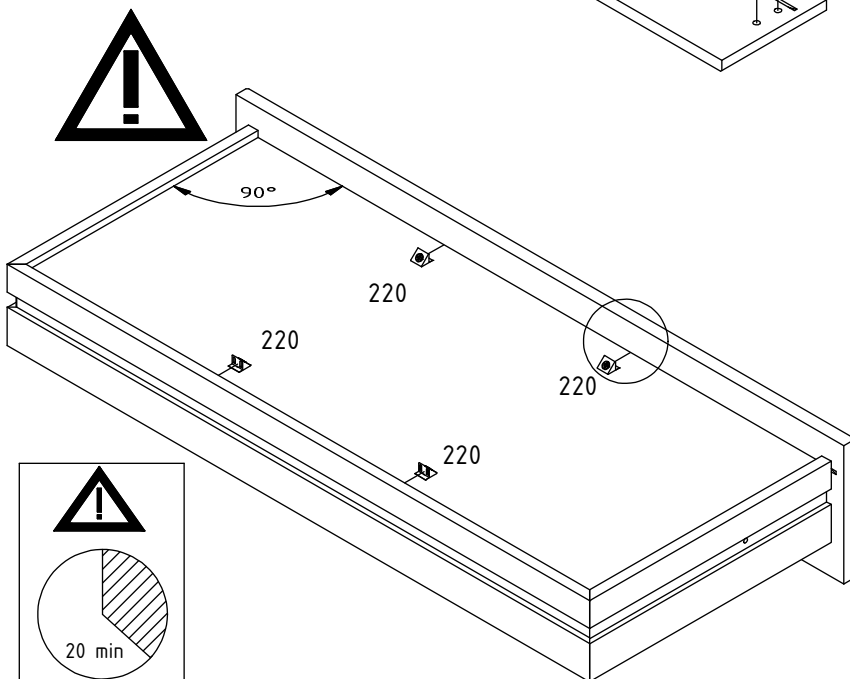
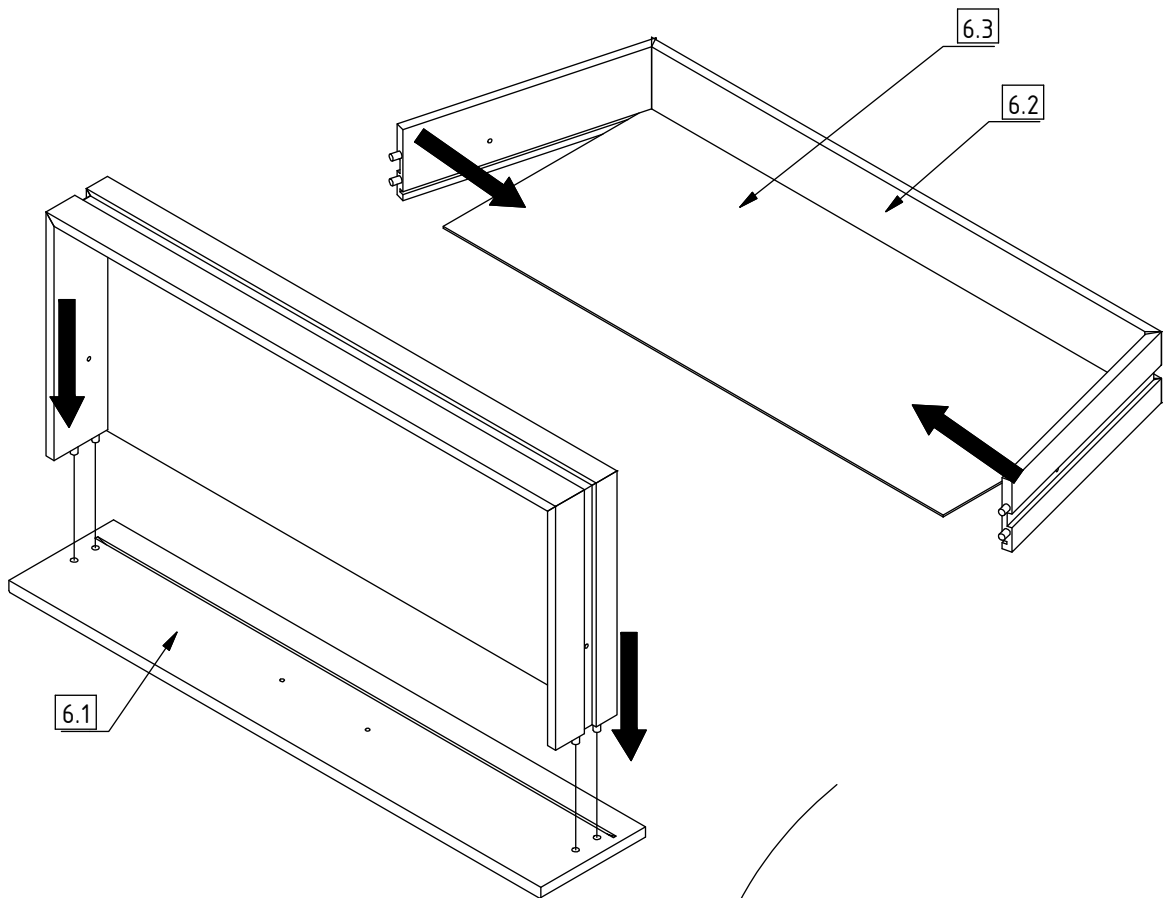
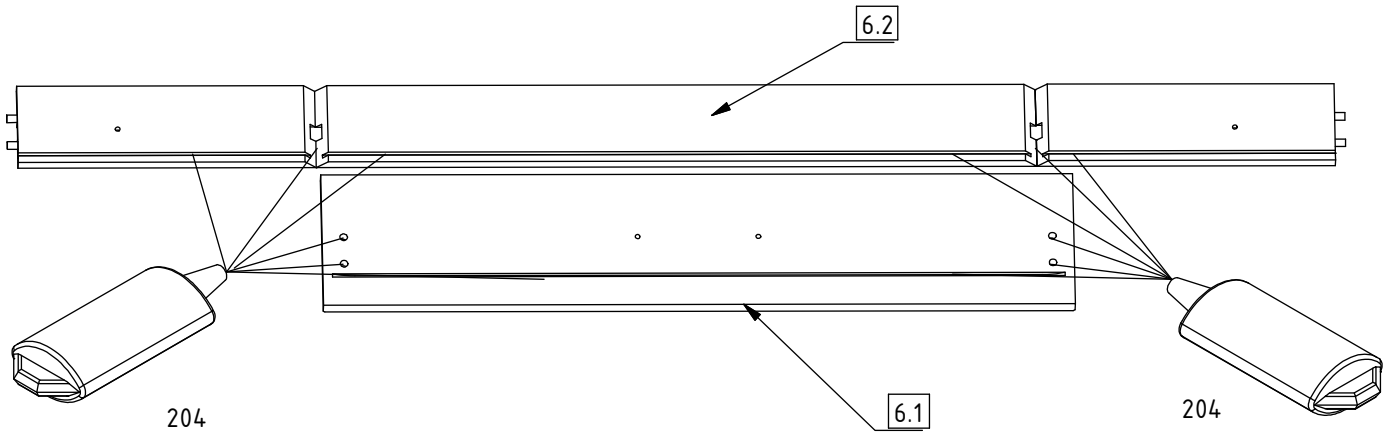
# 980325

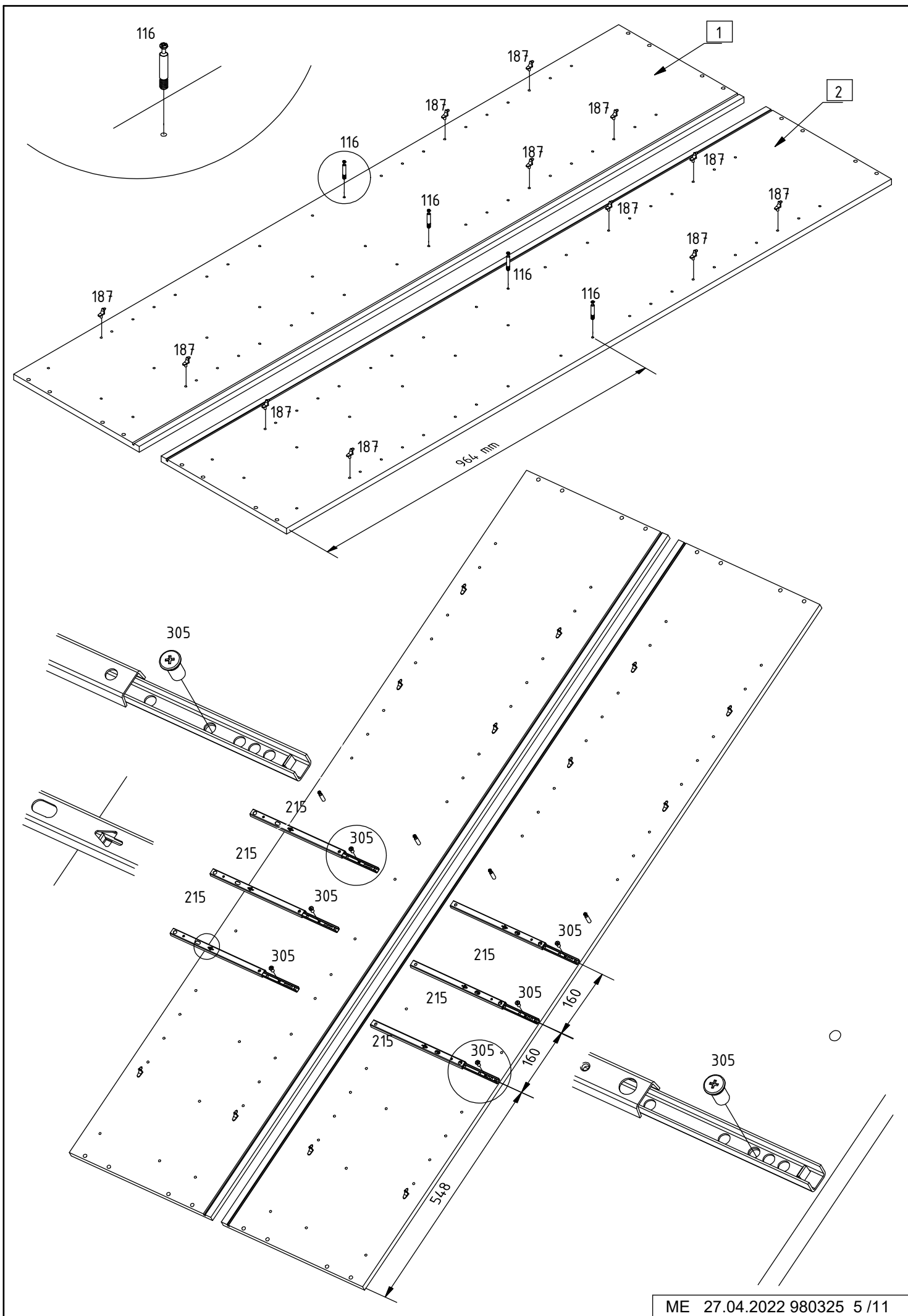


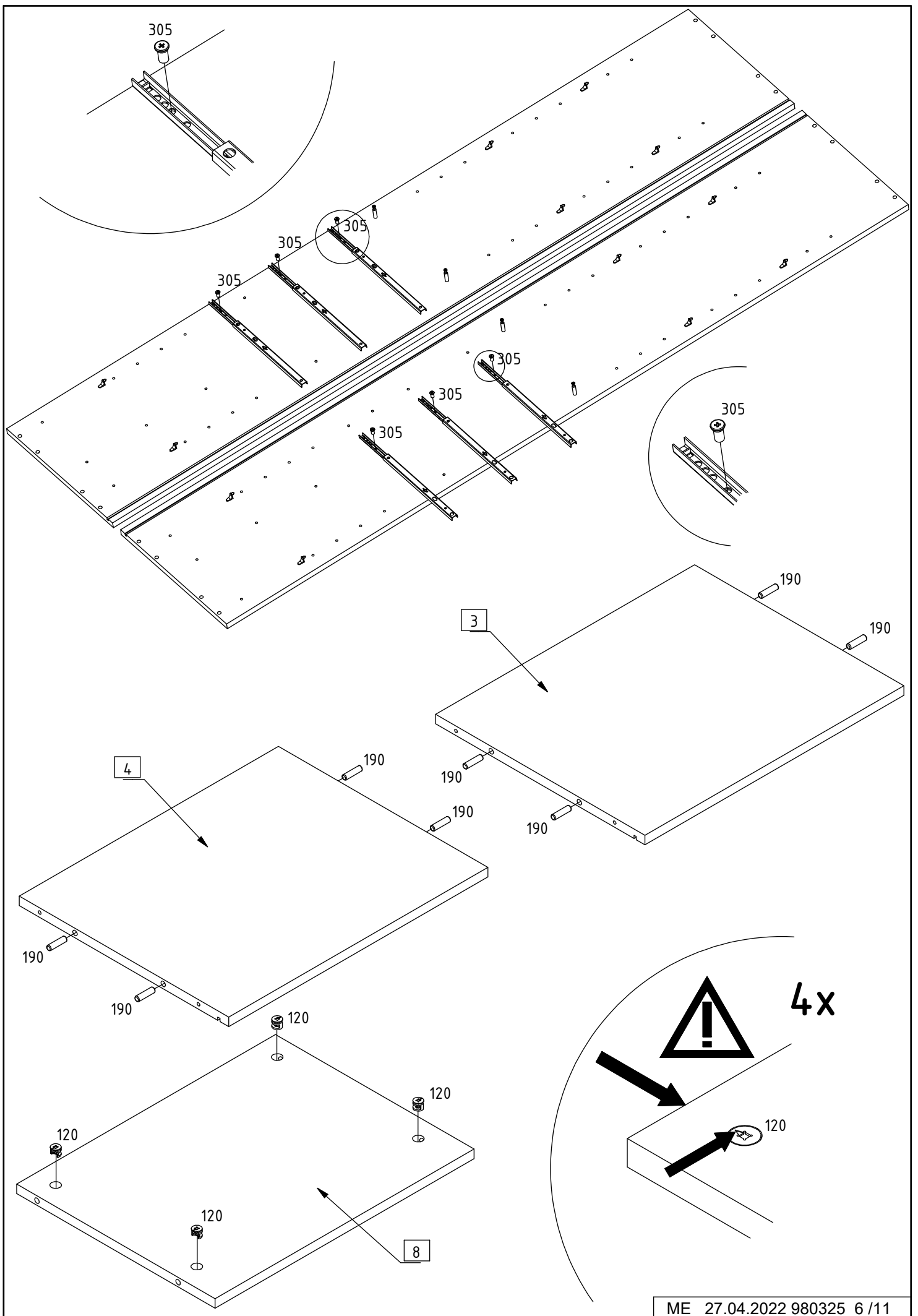


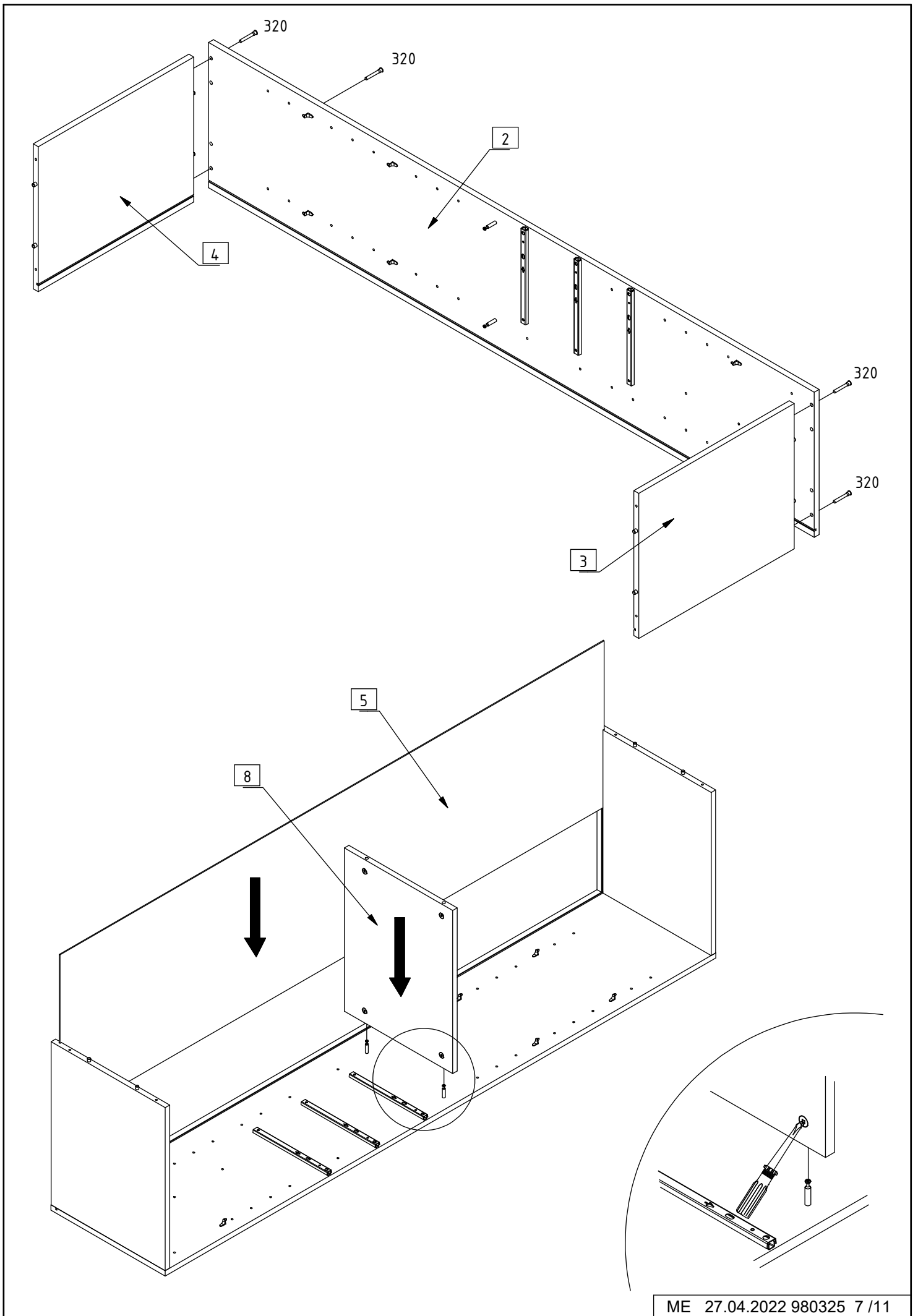


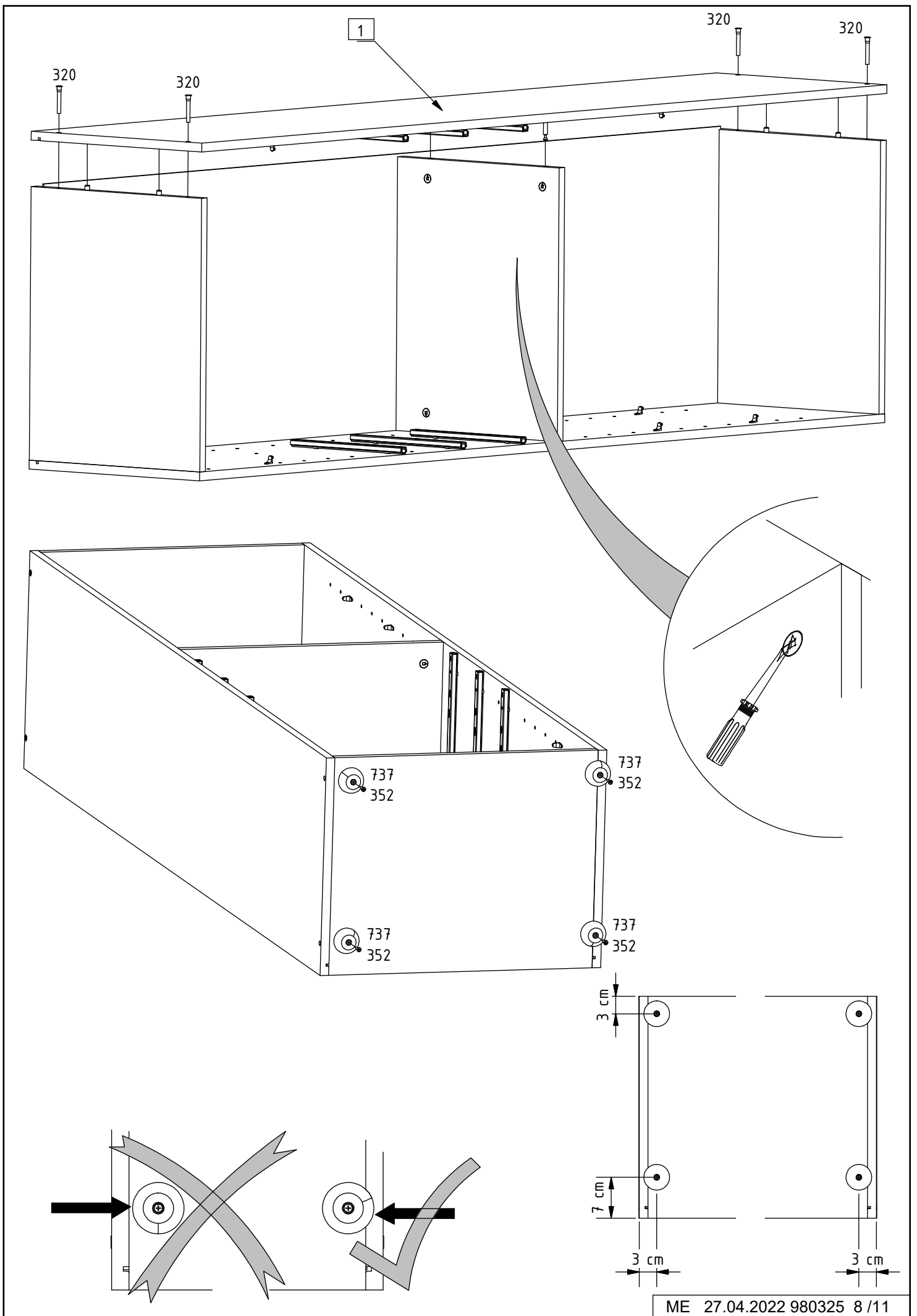
|     |    |   |     |   |   |
|-----|----|---|-----|---|---|
| 116 | 4  |              | 320 | 8 |              |
| 120 | 4  |              | 349 | 2 |  3,5 x 25 mm |
| 187 | 12 |            | 352 | 4 |  4 x 20 mm |
| 190 | 8  |  Ø8 x 30mm | 377 | 6 |  4 x 25 mm |
| 204 | 3  |            | 408 | 6 |  M4 x 9mm  |
| 215 | 6  |            | 503 | 3 |            |
| 220 | 10 |            | 737 | 4 |            |
| 305 | 12 |  6 x 9 mm  |     |   |   |





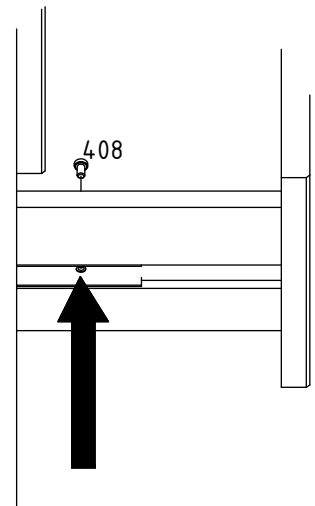
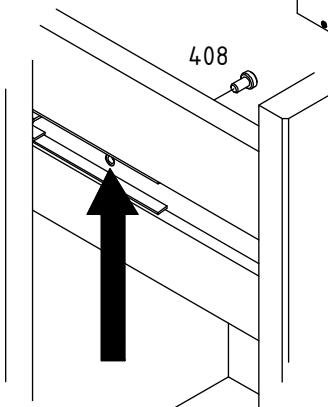
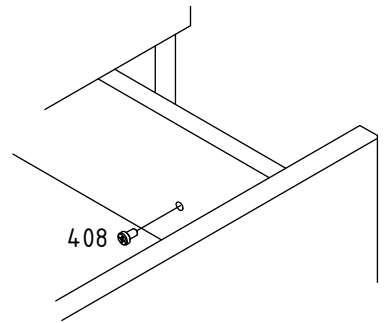
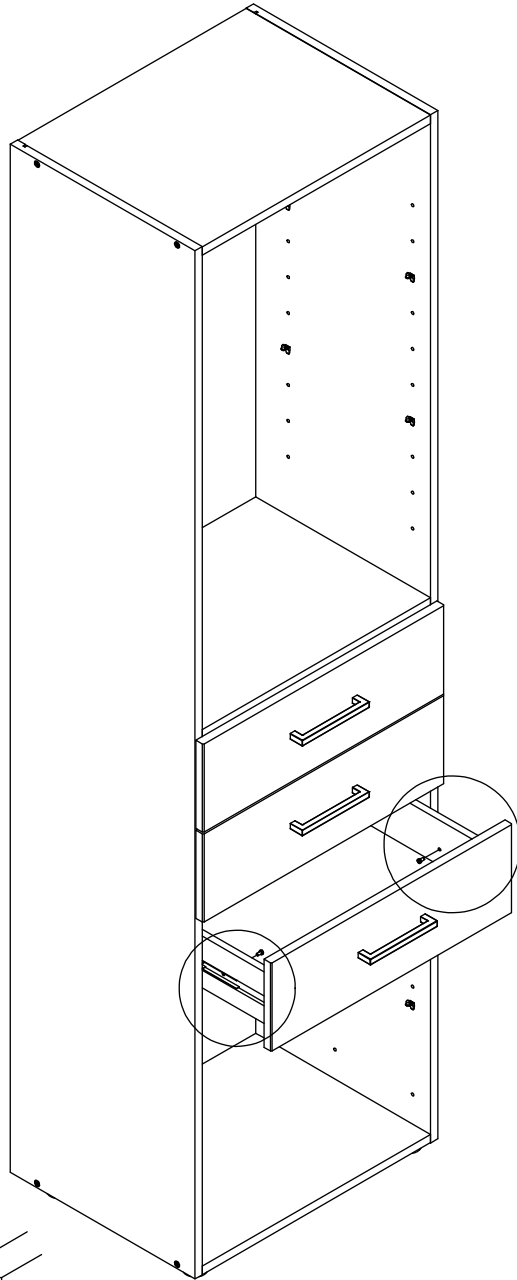
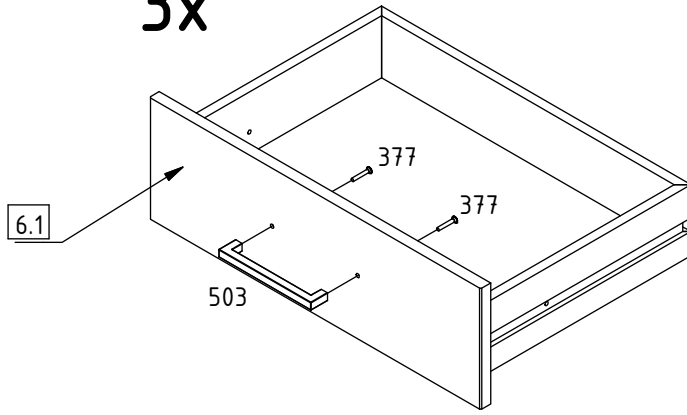


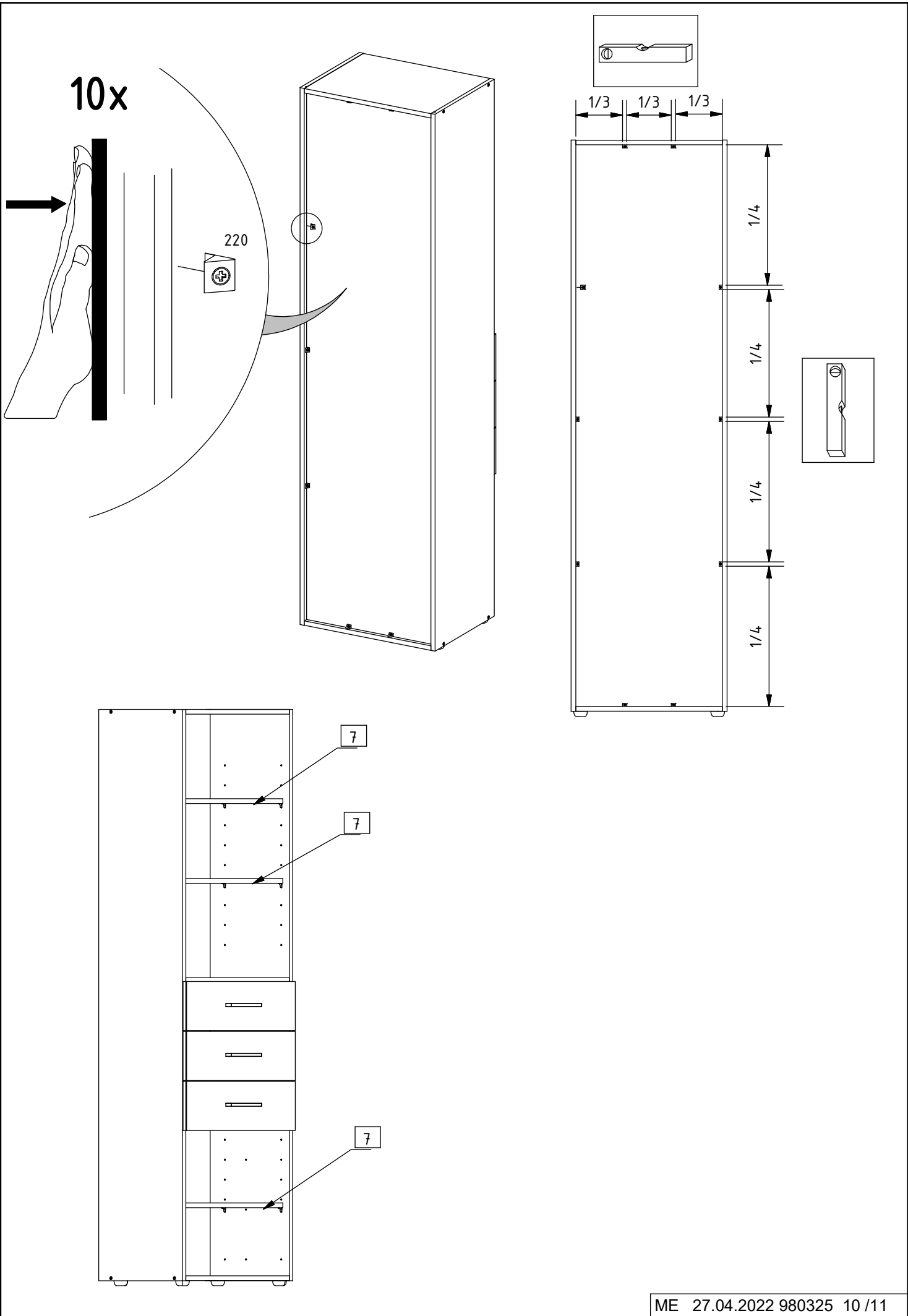


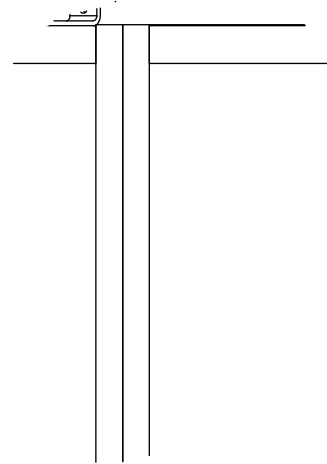
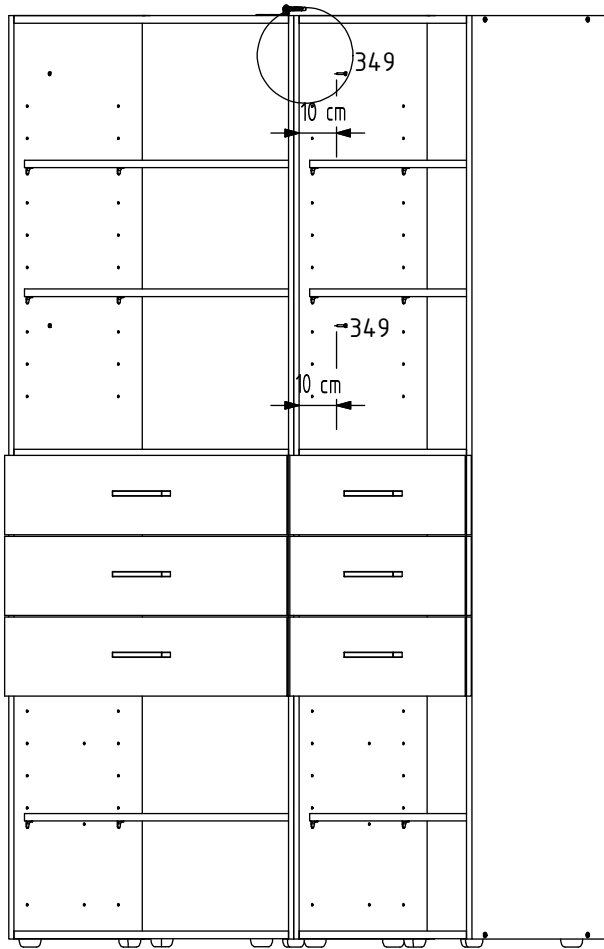




3x







349