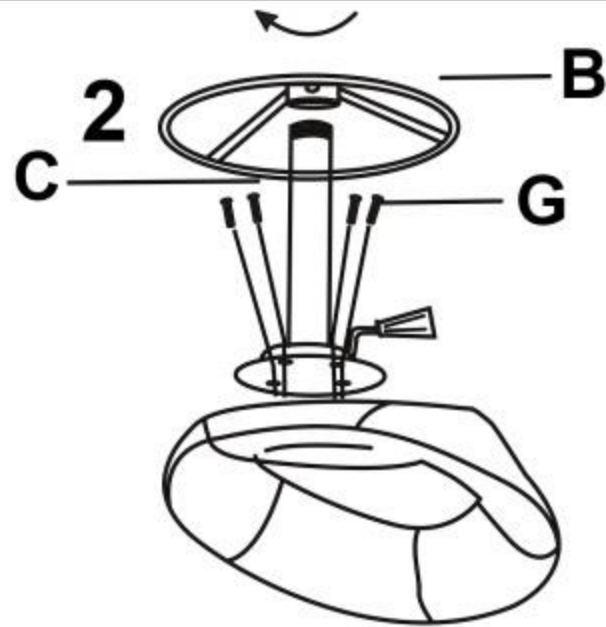
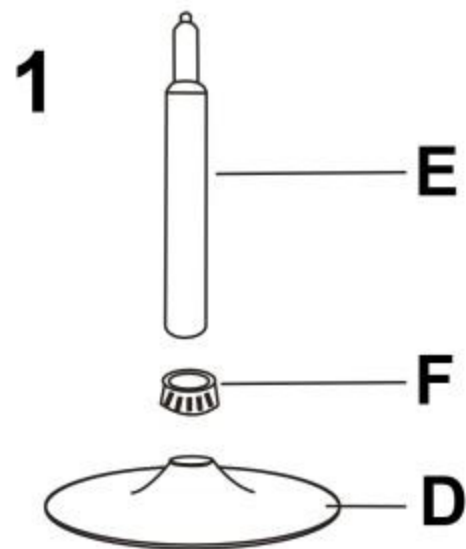
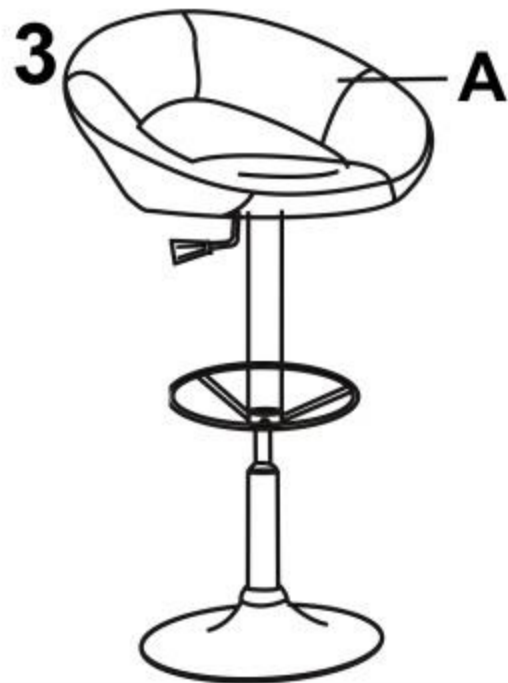


SCH-15



A		1
B		1
C		1
D		1
E		1
F		4
G		4



max. 100 kg

