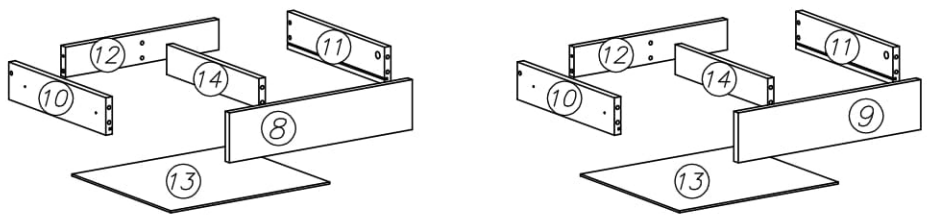
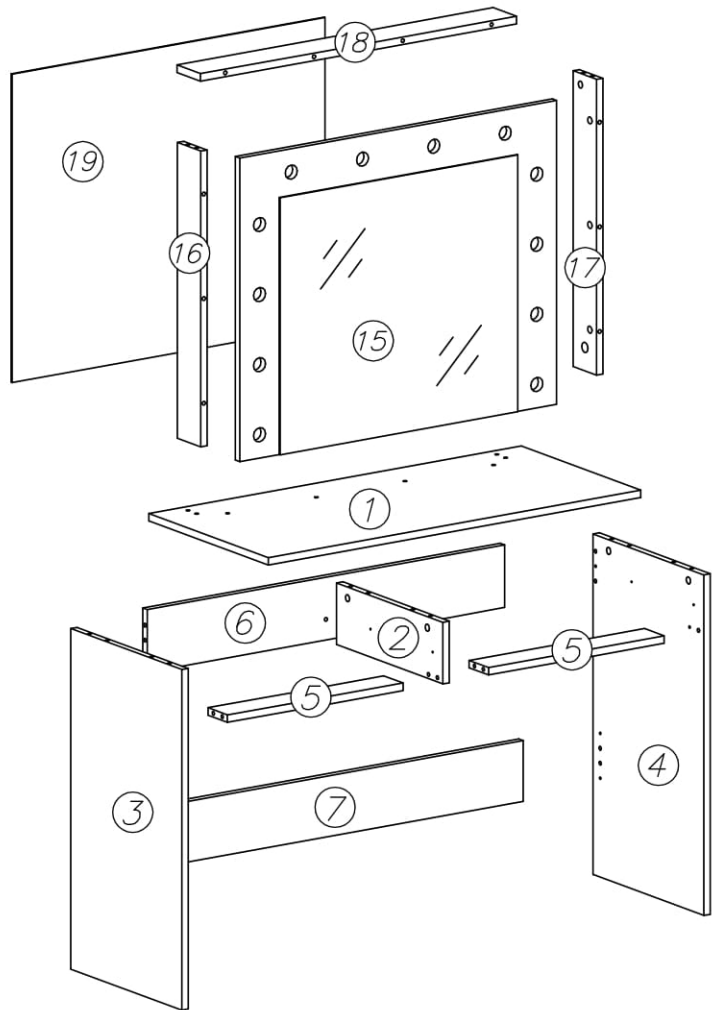
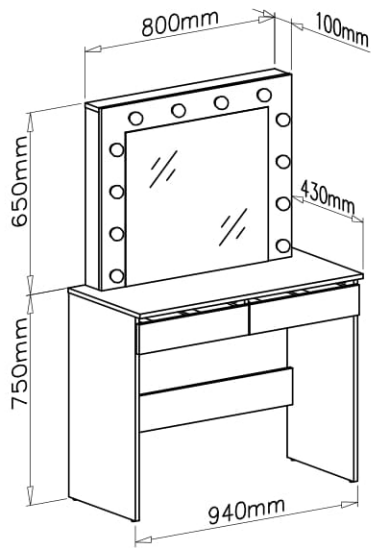





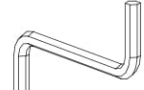
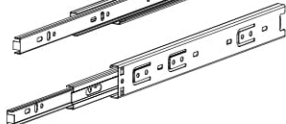





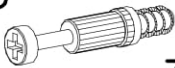
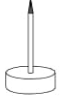

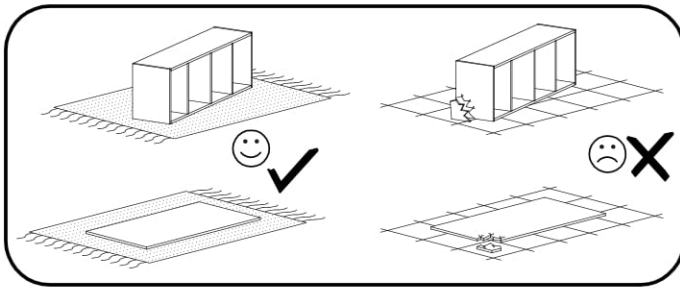


HONKYTON

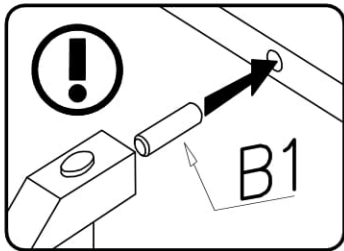
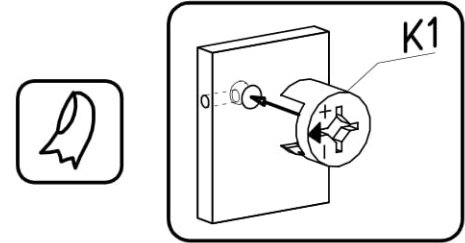
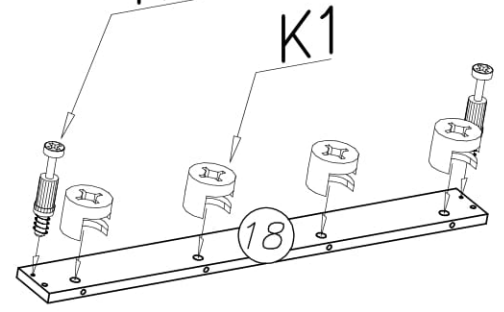
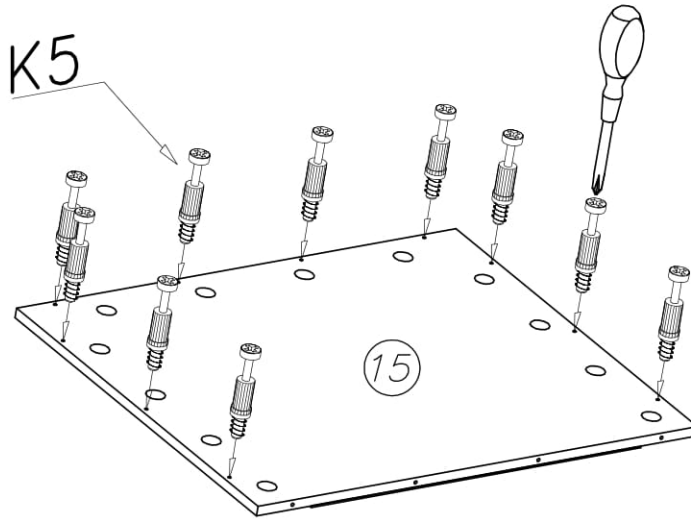
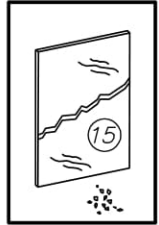
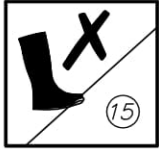


K6  1x	H23  2x	G22  3x16 26x	B1  ø8x30 36x	W10  x12 1x
W2  1x	H30-350mm  2x	W4  ø1,4x20 14x	I7  ø18 14x	W10  x12 1x
K1  ø15x12 32x	A1  ø7x50 13x	K5  30x	P4  4x	W10  x12 1x

1



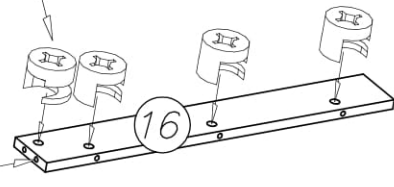
B1 ø8x30 14x	K1 ø15x12 22x
	K5 18x



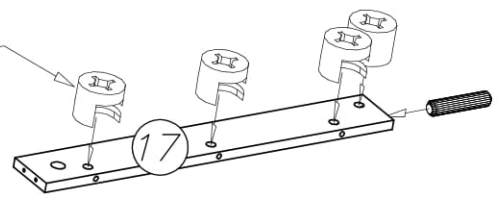
K5

B1

K1

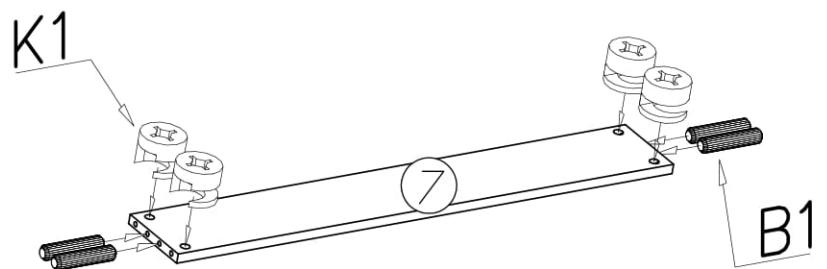
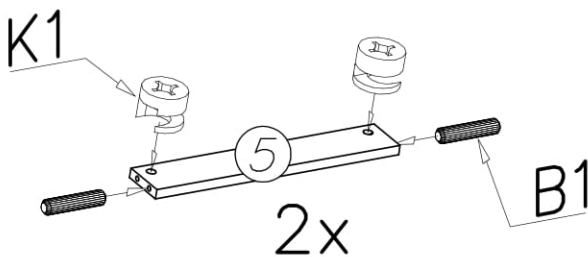
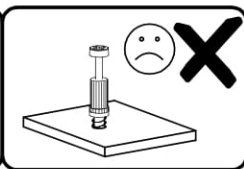
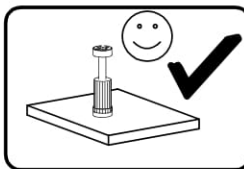
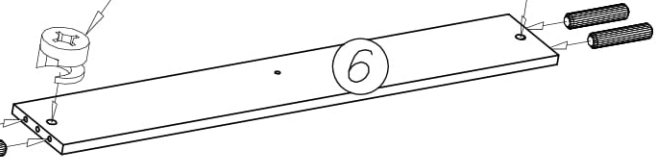


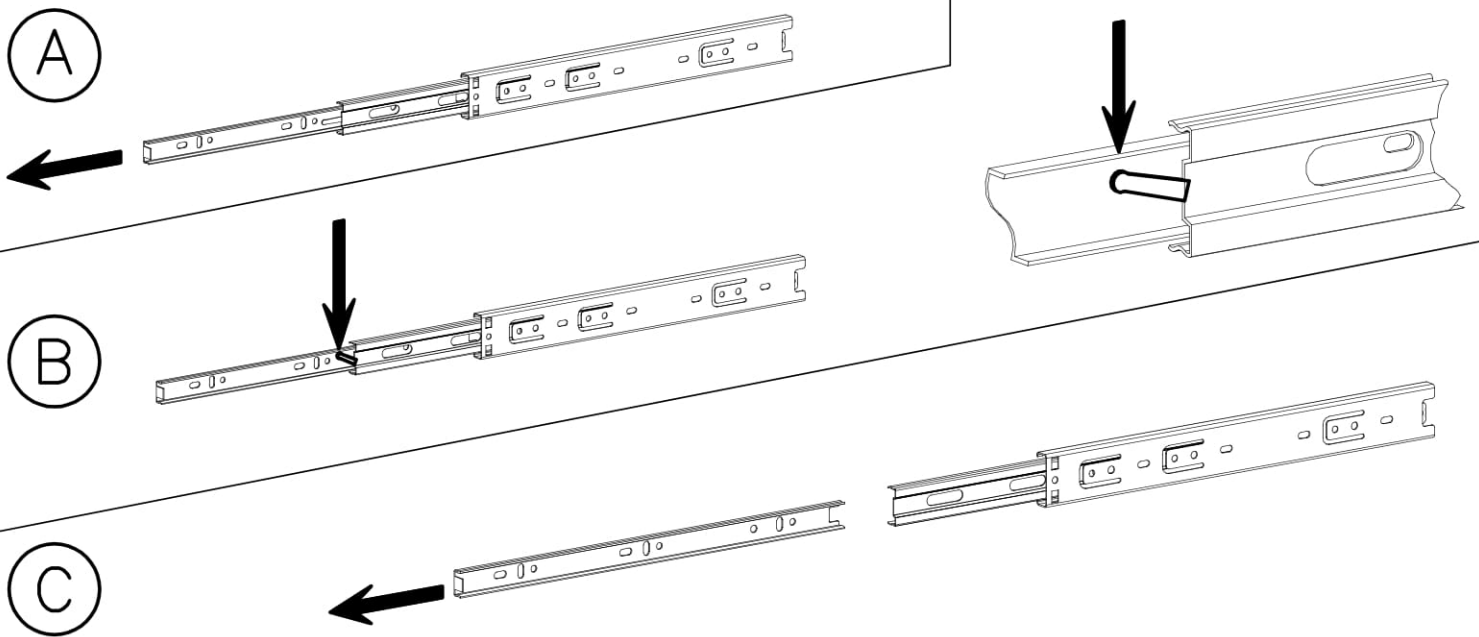
K1



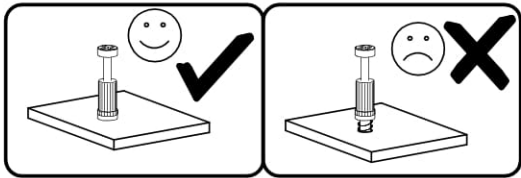
K1

B1

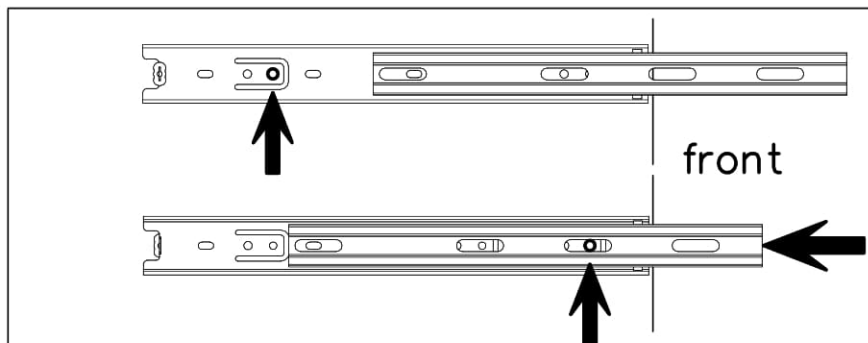
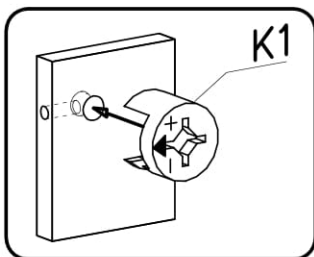
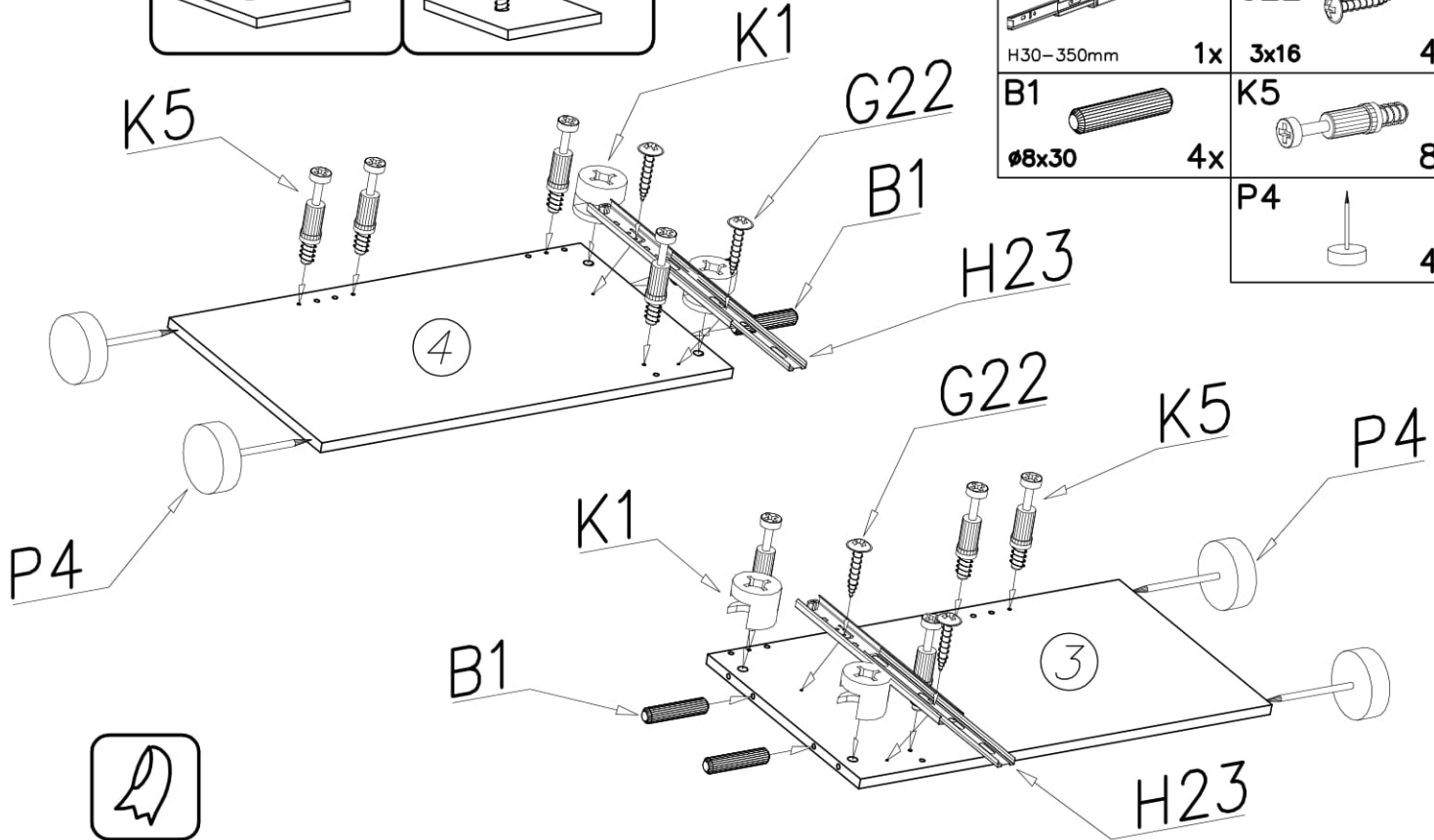




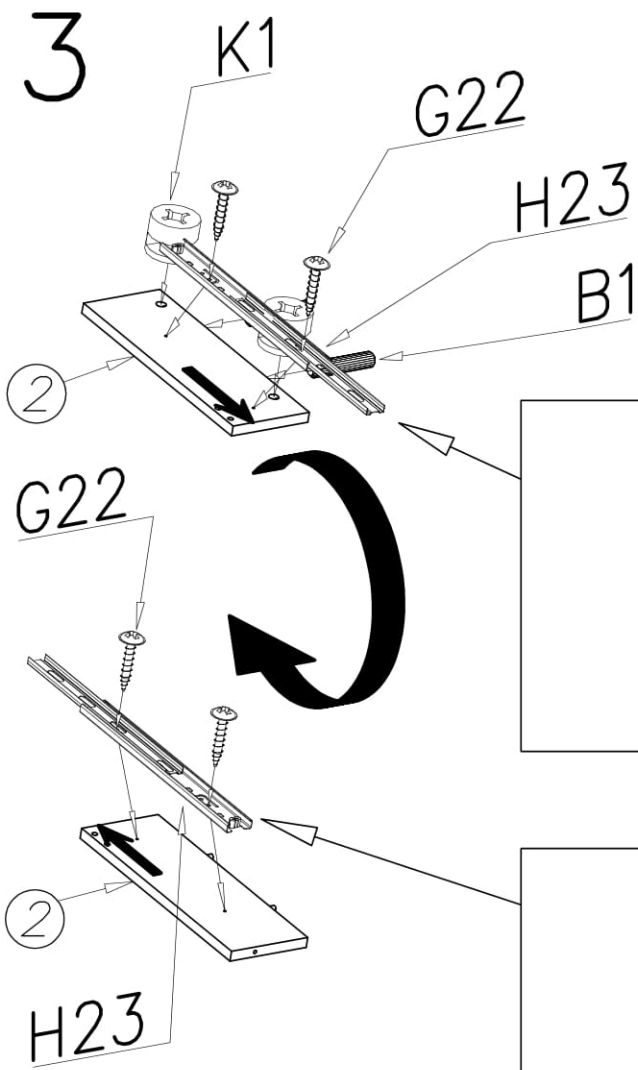
2






H23		K1		4x
H30-350mm	1x	G22		4x
B1		3x16		4x
ø8x30	4x	K5		8x
		P4		4x




3

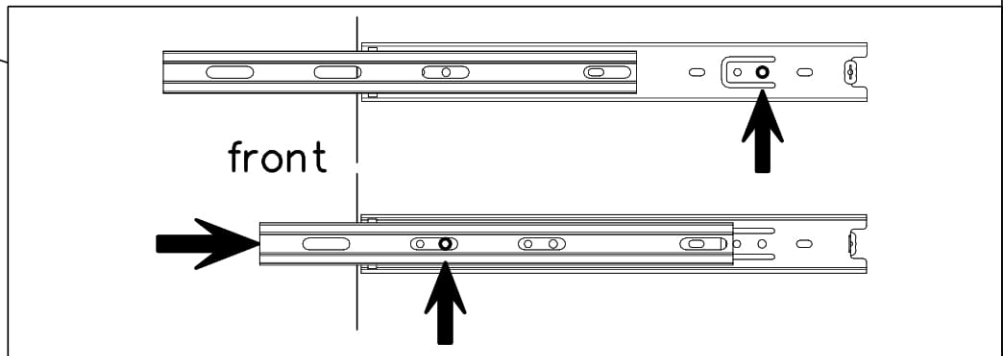
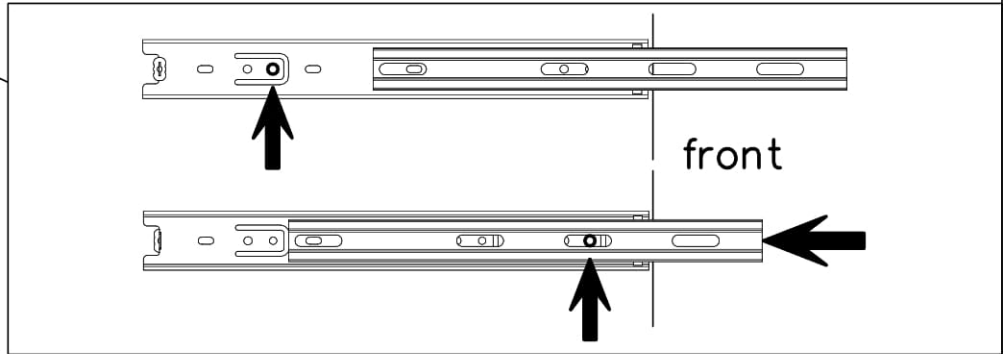


B1  $\varnothing 8 \times 30$ 2x

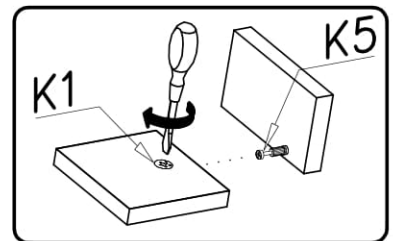
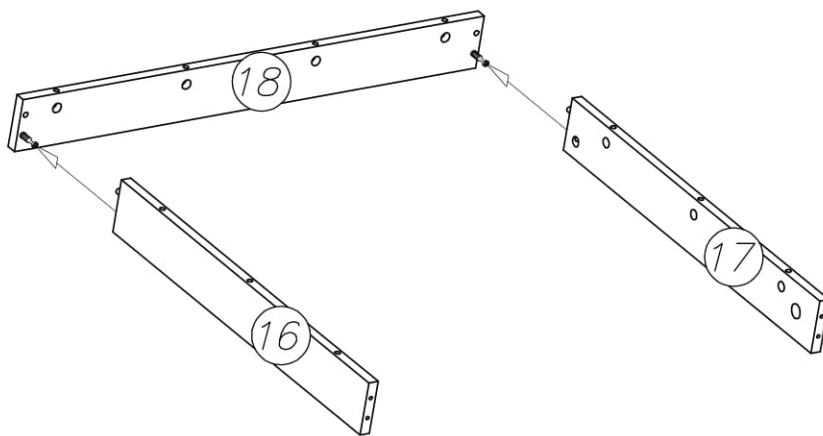
H23 
 H30-350mm 1x

K1  $\varnothing 15 \times 12$ 2x

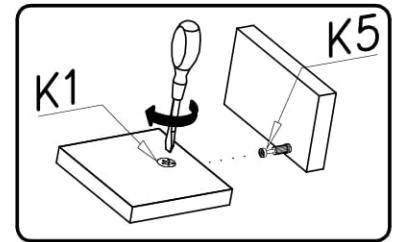
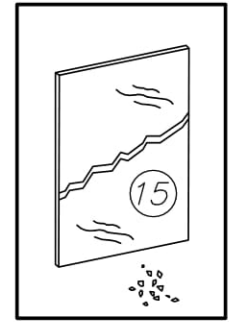
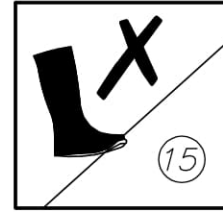
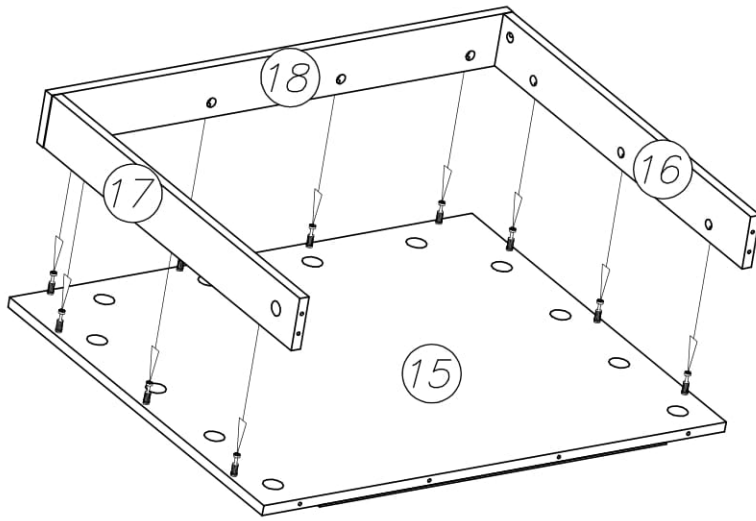
G22  3x16 4x



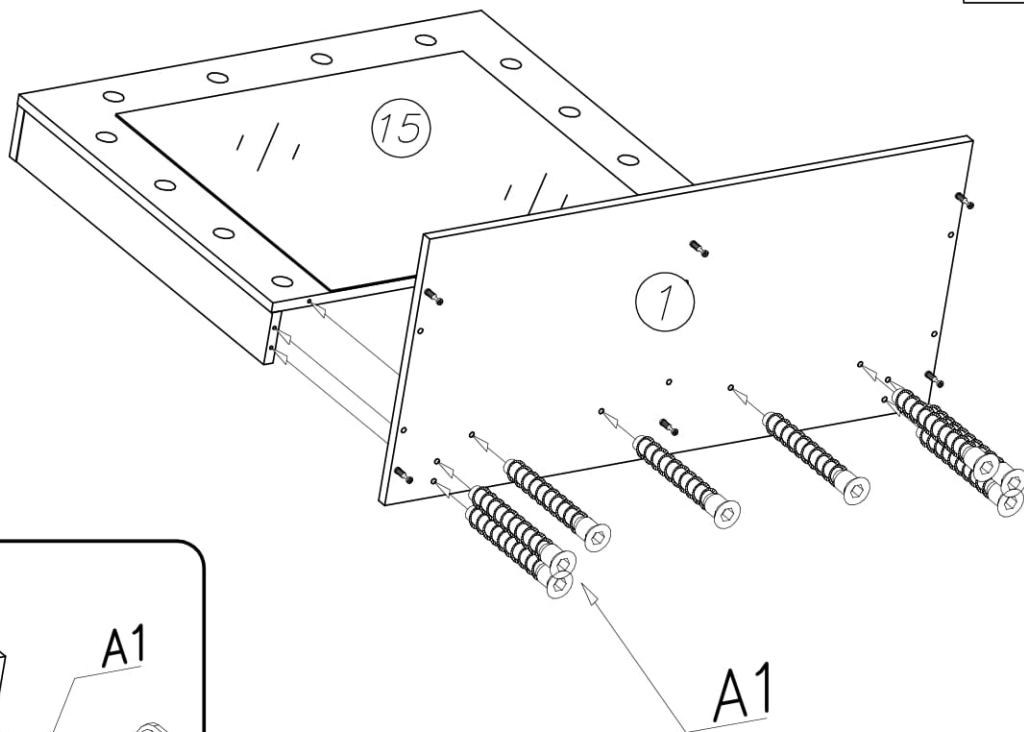
4

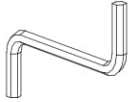



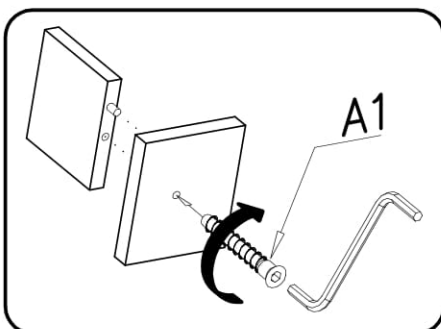
5



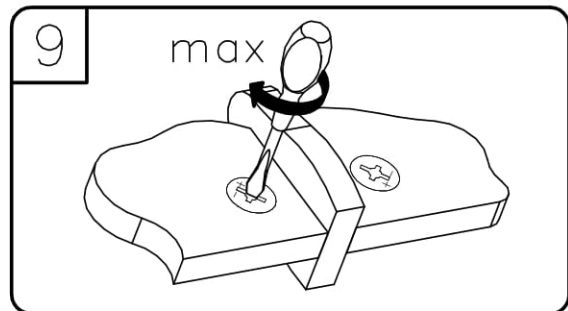
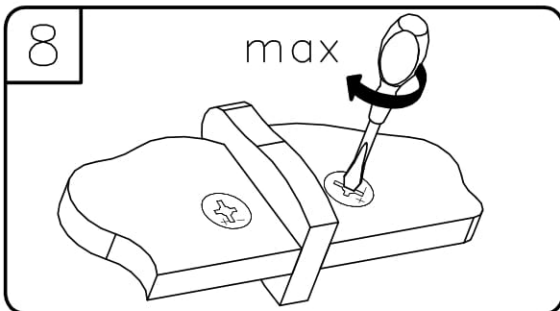
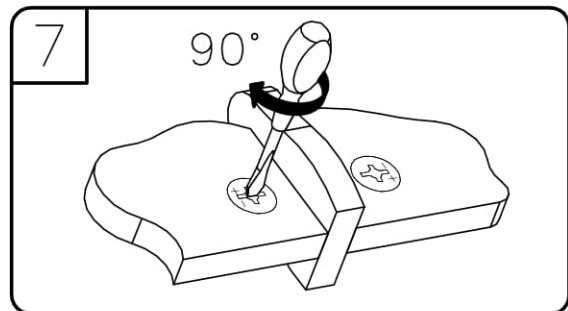
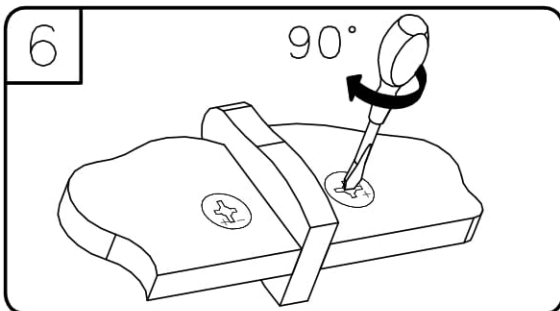
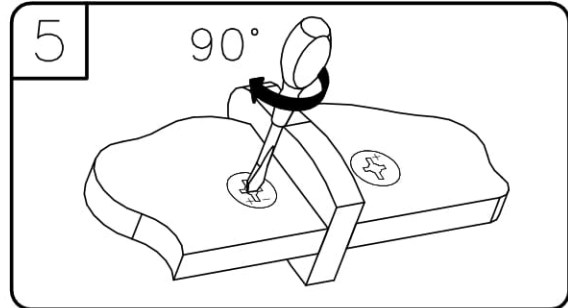
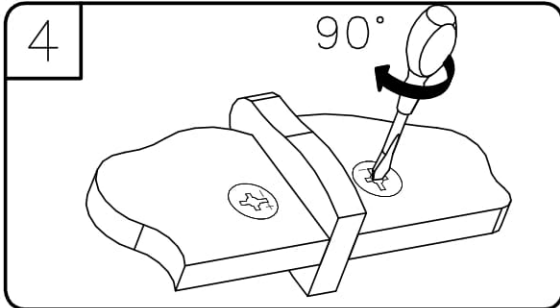
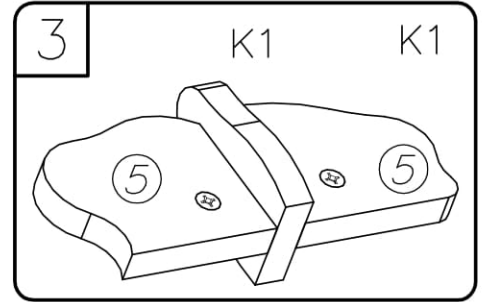
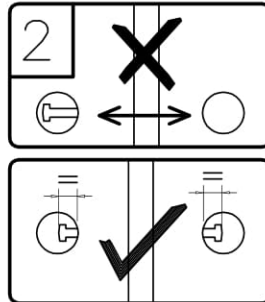
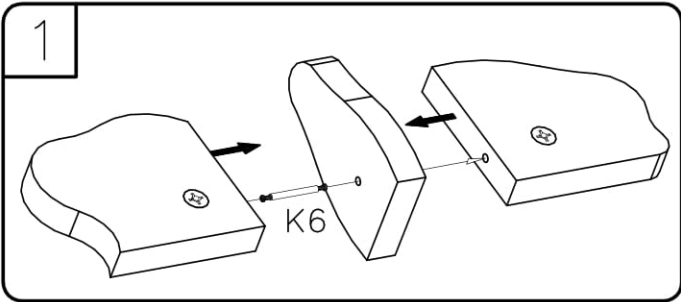
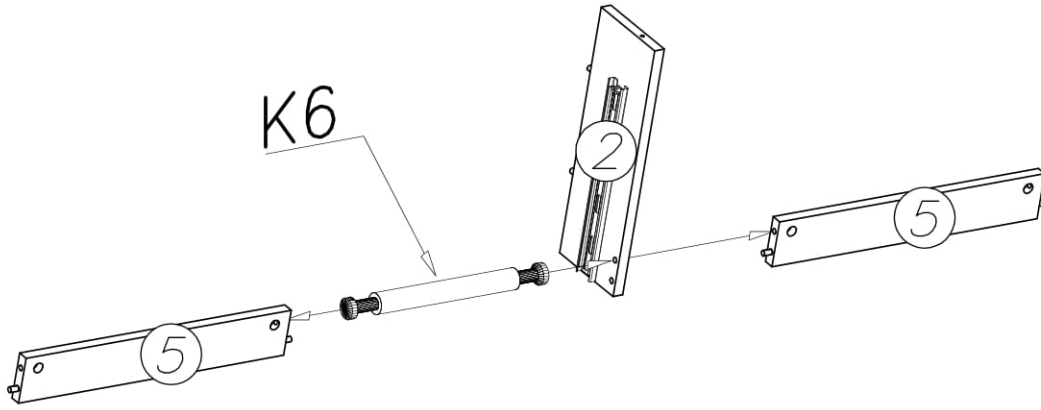
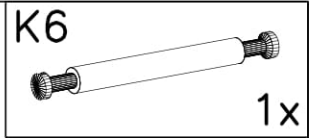
6



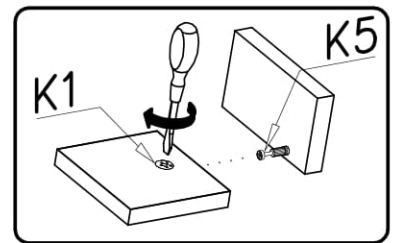
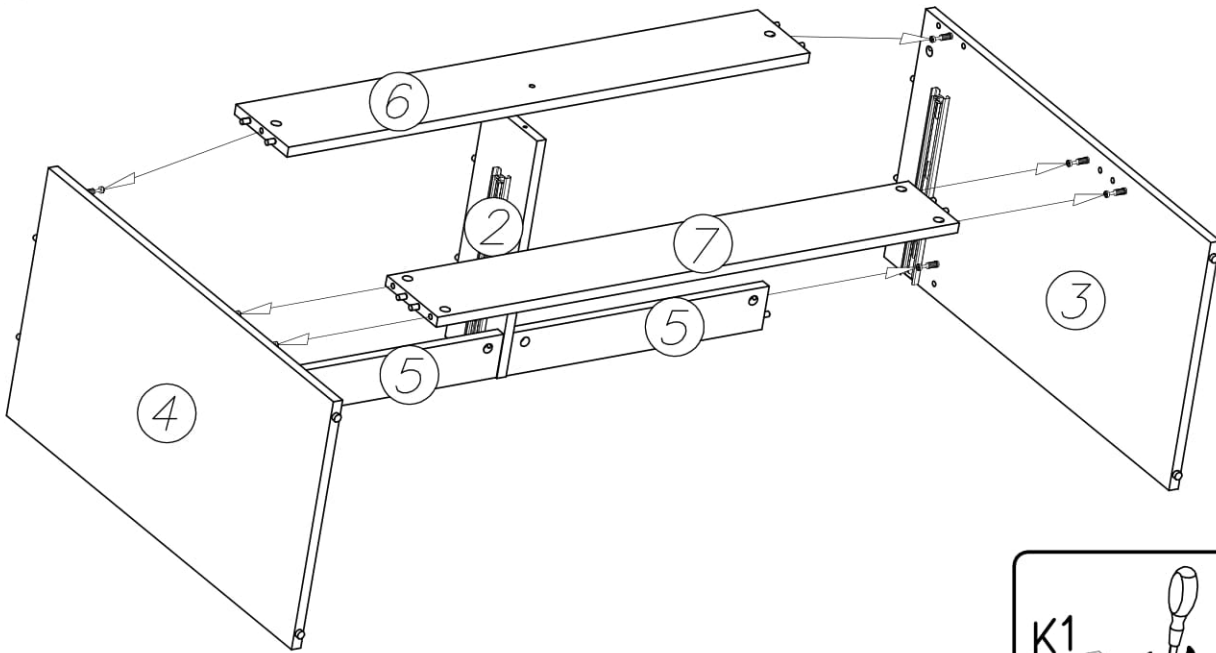
- W2  1x
- A1  8x
ø7x50



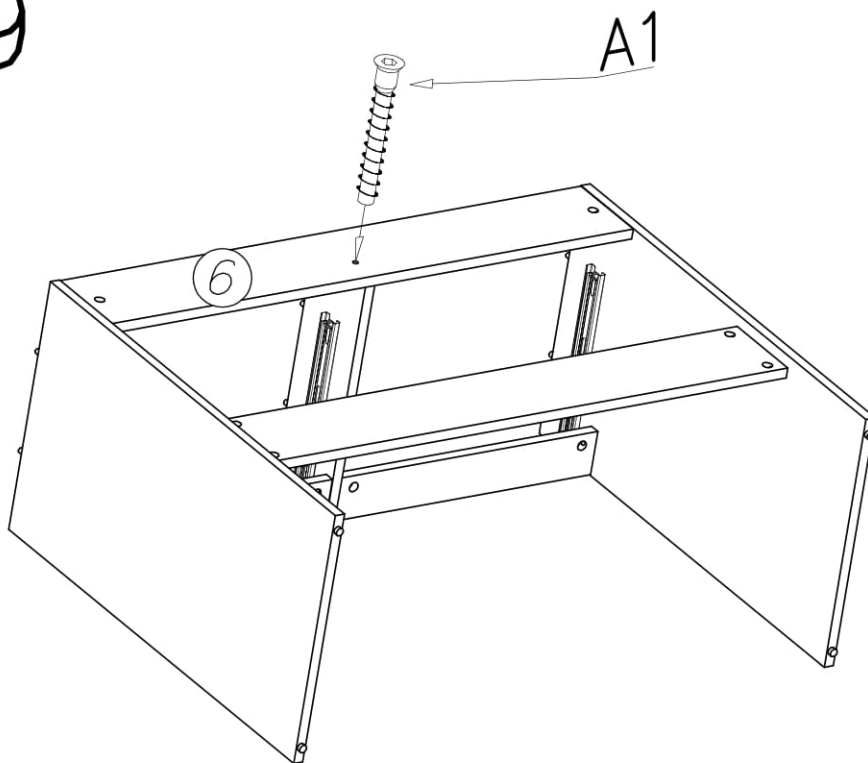
7



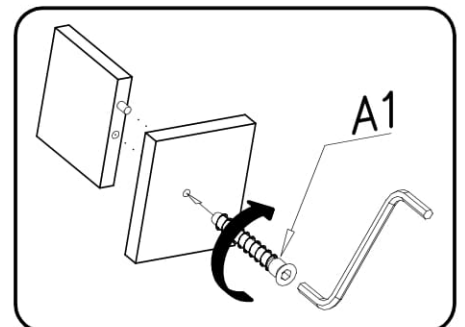
8



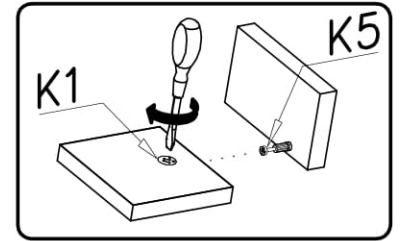
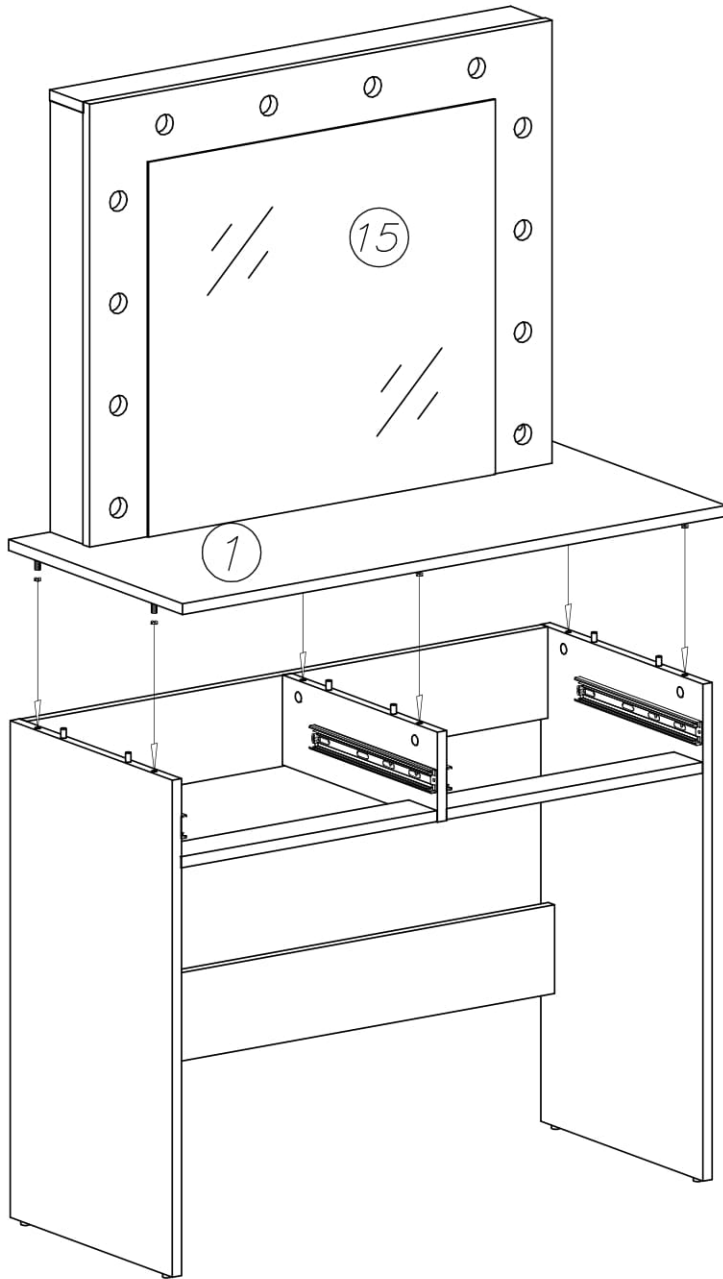
9



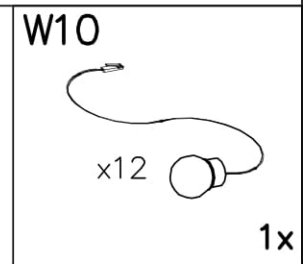
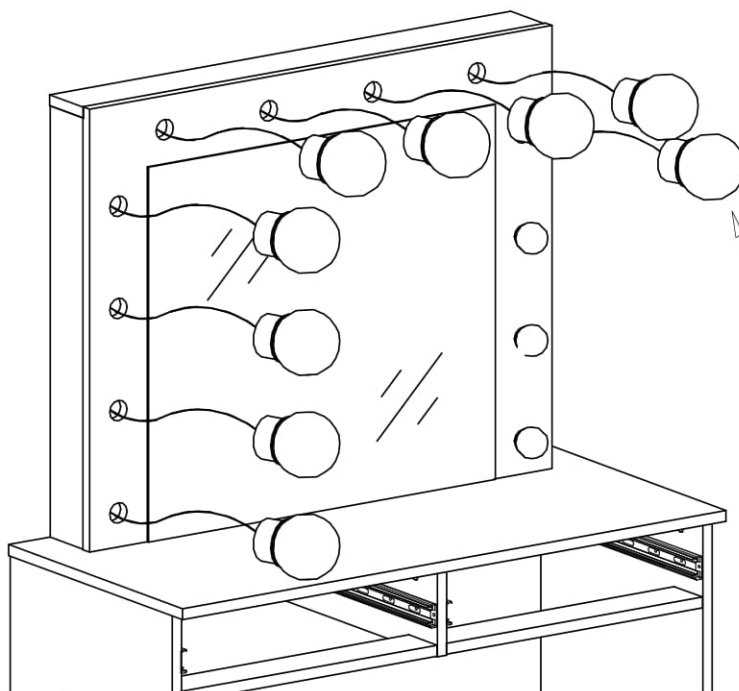
W2		1x
A1		1x
	∅7x50	



10

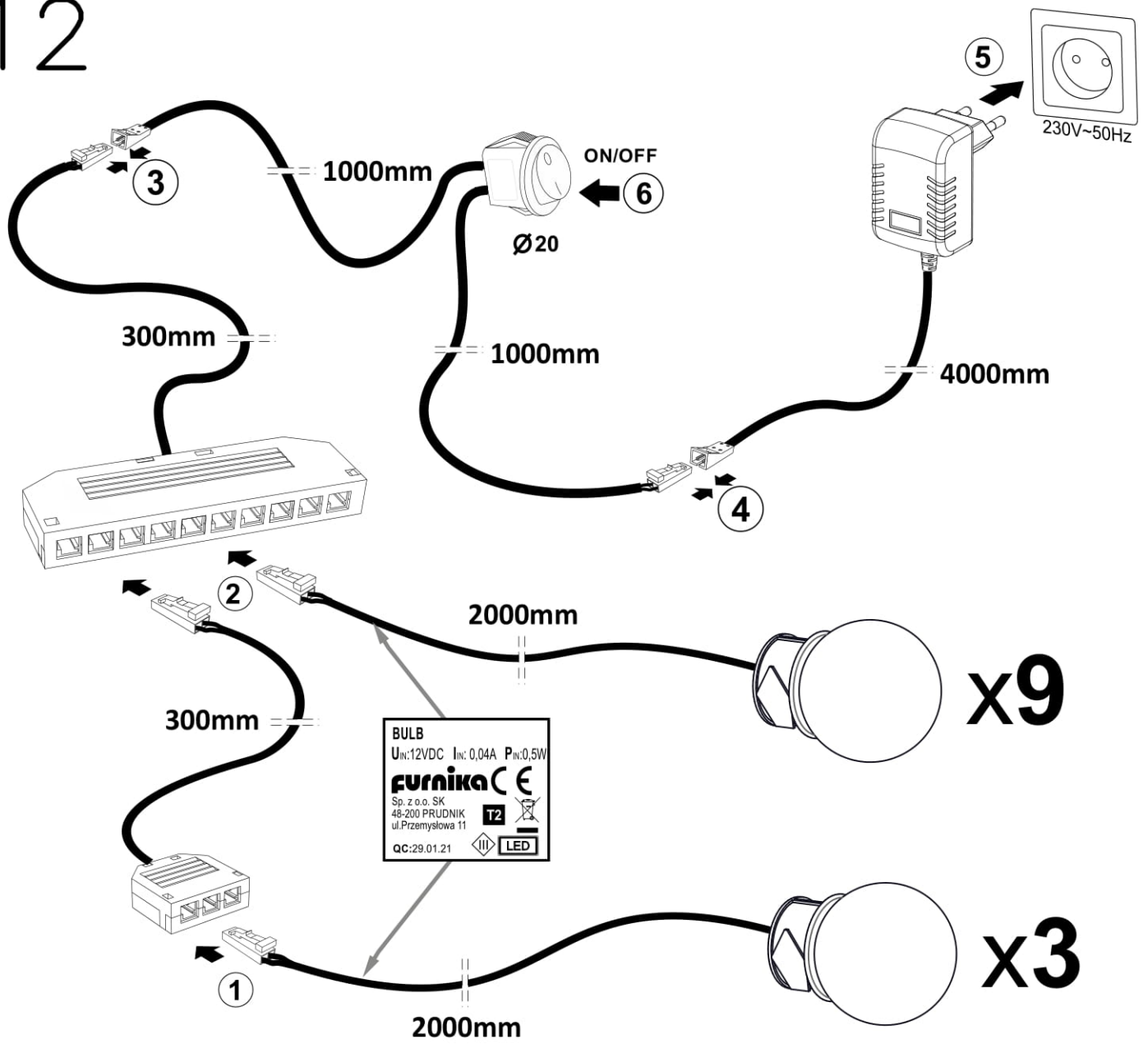


11

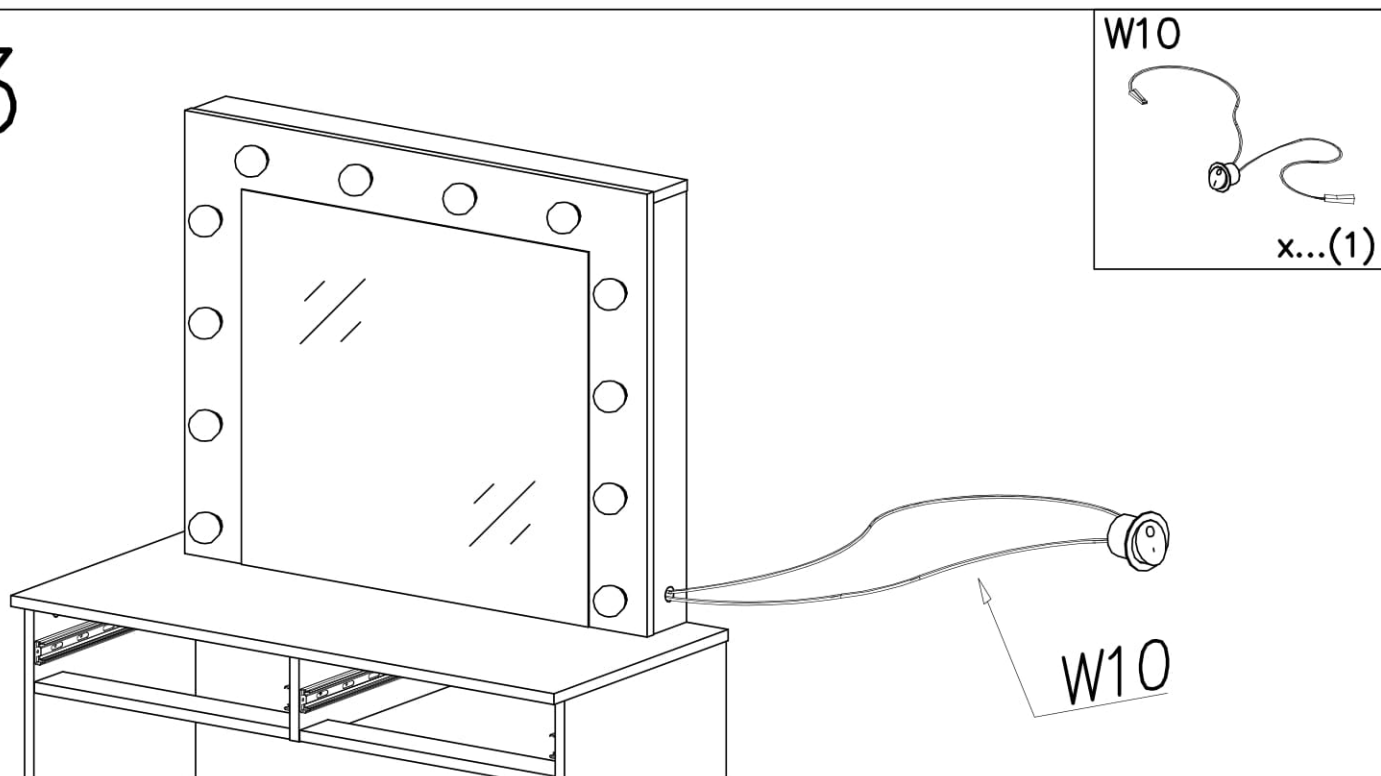


W10

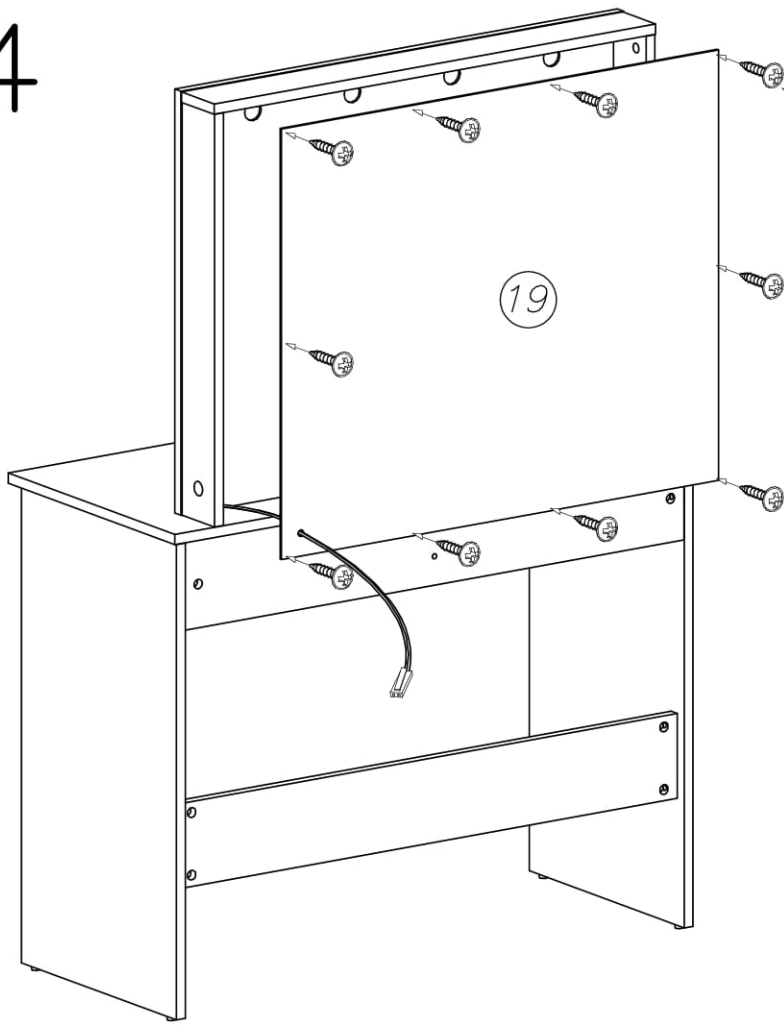
12



13



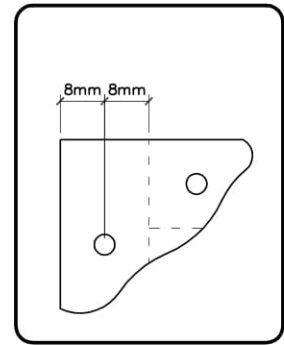
14



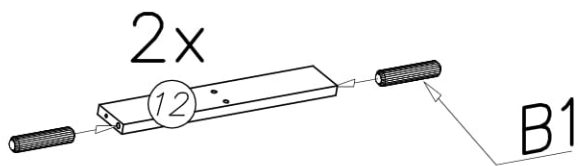
G22
3x16 10x

G22

19



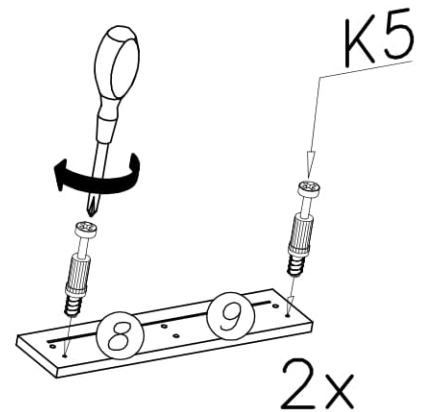
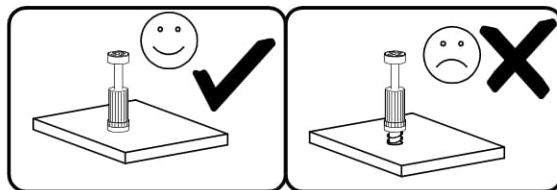
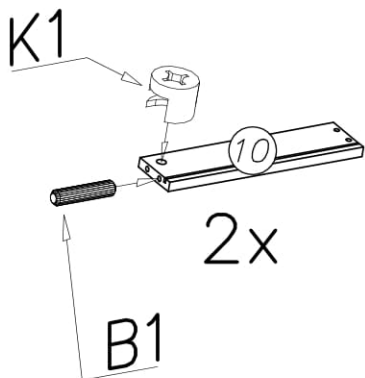
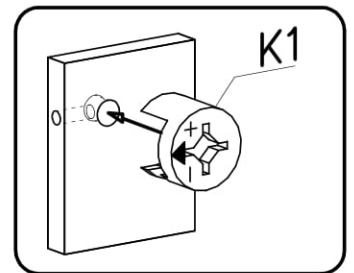
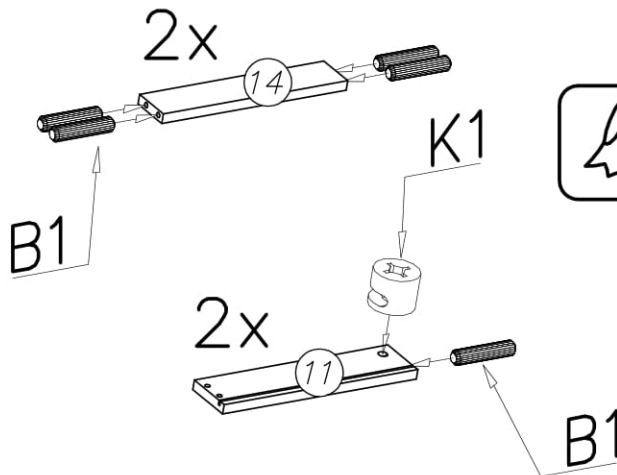
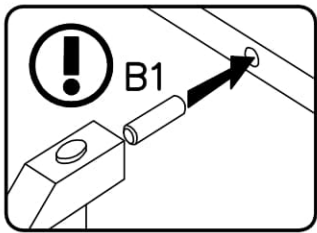
15



K1
ø15x12 4x

B1
ø8x30 16x

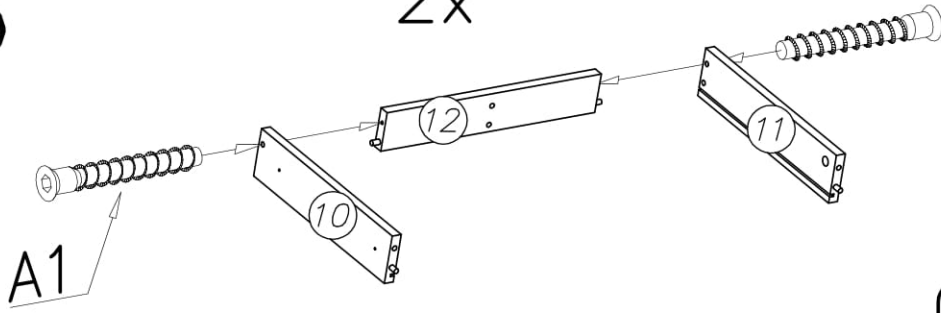
K5
4x



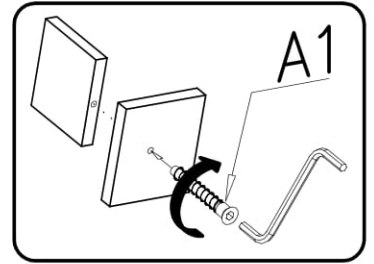
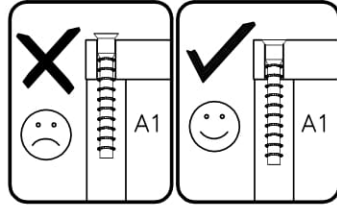
2x

16

2x

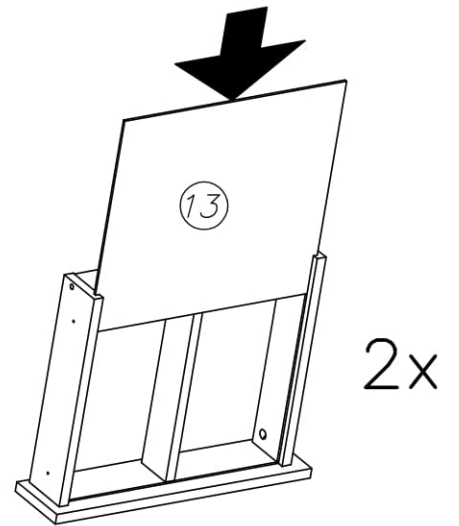
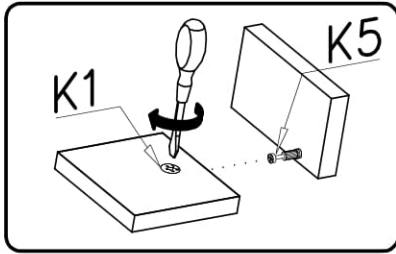
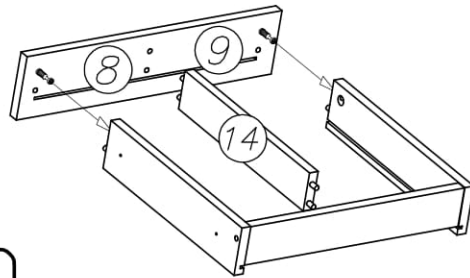


W2		1x
A1		4x
		∅7x50



17

2x

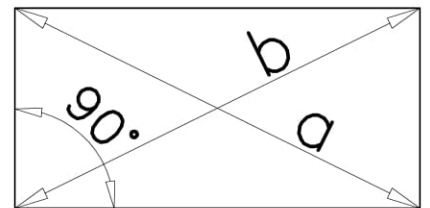
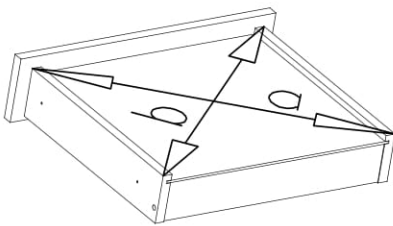


18

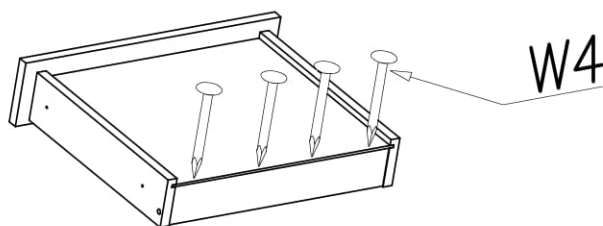
a=b



W4		8x
		∅1,4x20



2x



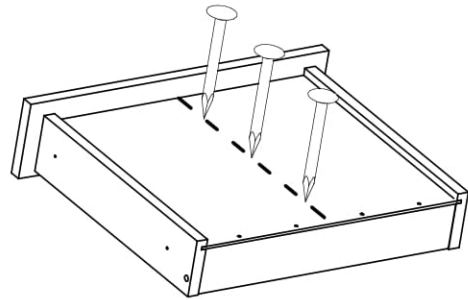
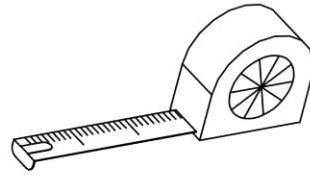
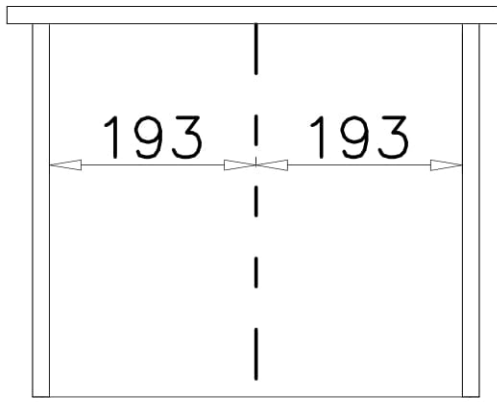
19

W4



∅1,4x20

6x



2x

20

G22

3x16



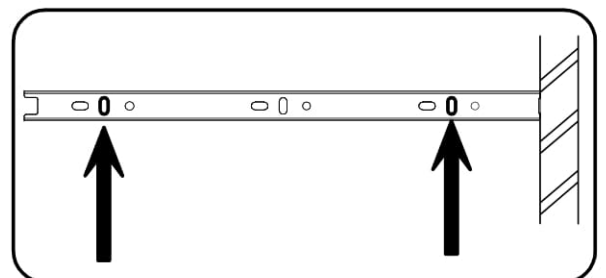
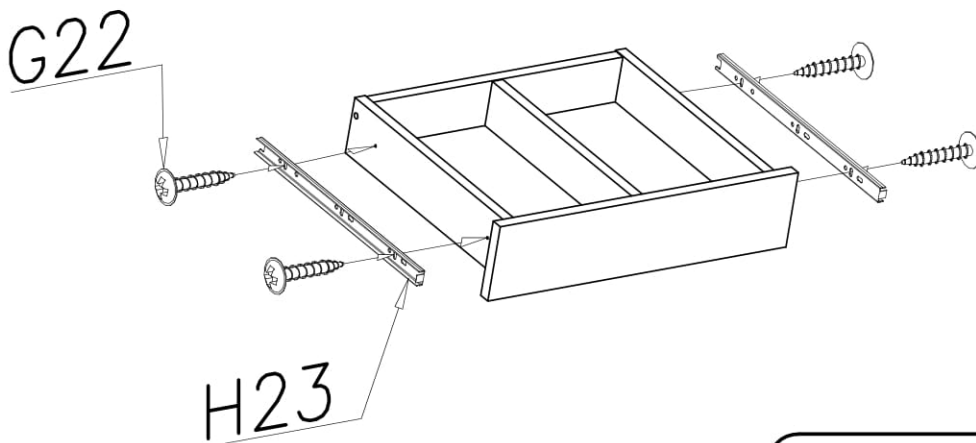
8x

H23



H30-350mm

2x



21

17
Ø18 14x

