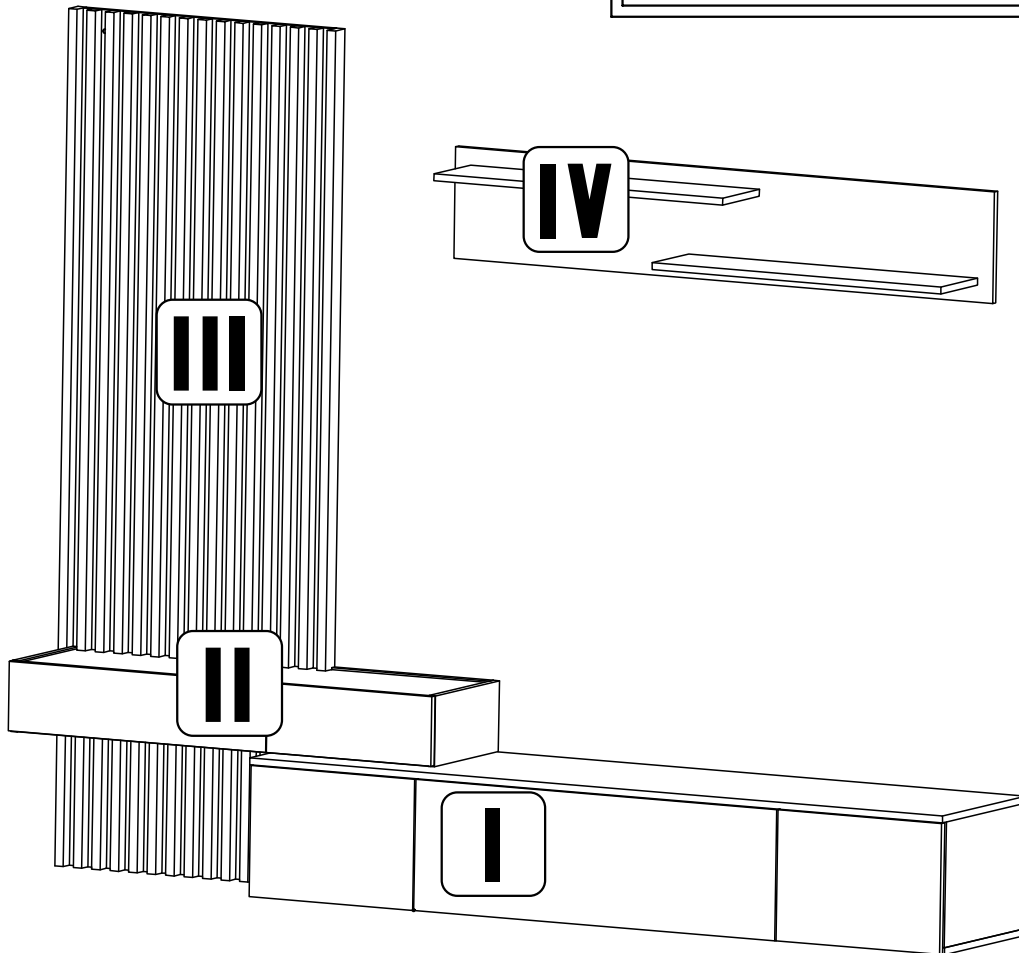
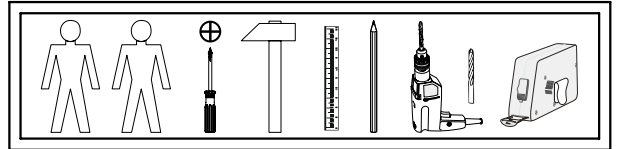
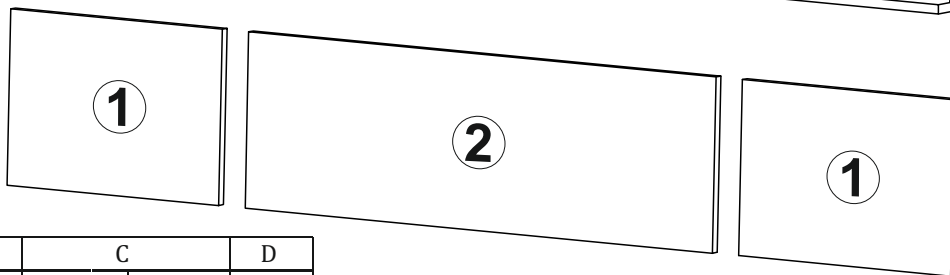
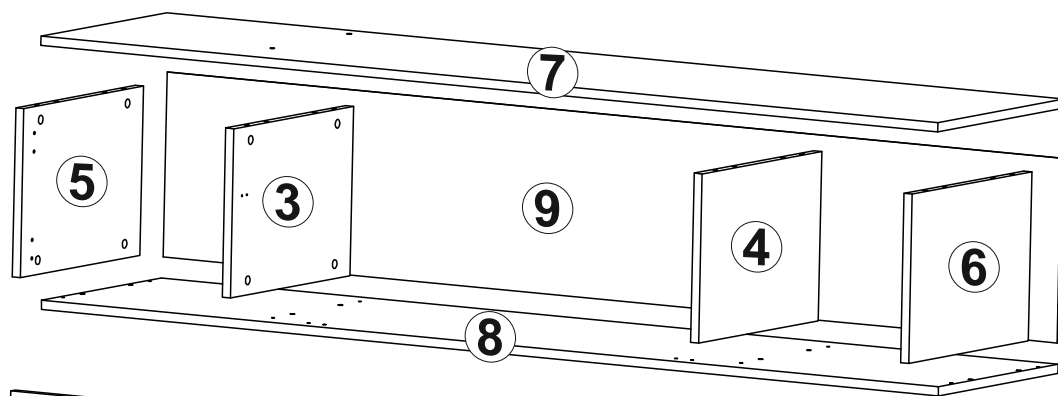


ANIKA PLUS



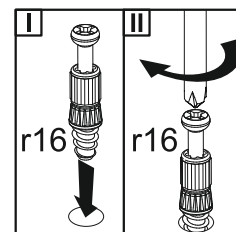
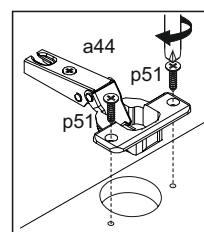
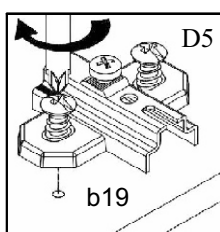
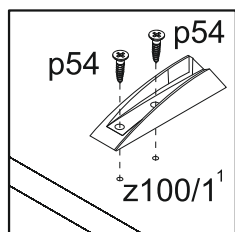
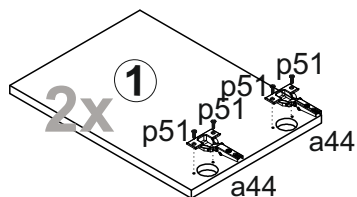
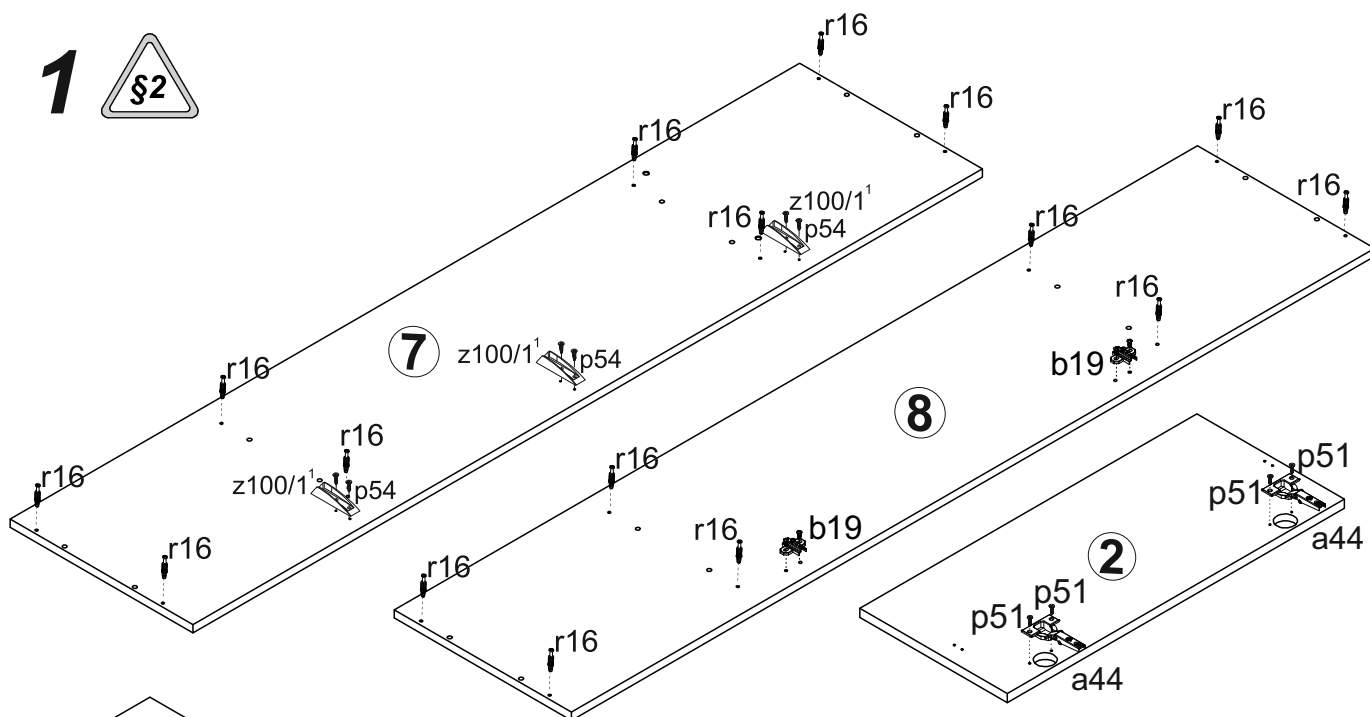
<p>6x k0 a44</p>	<p>6x D5 b19</p>	<p>18x $\phi 7 \times 50$ mm e1</p>	<p>2x k1</p>	<p>12x $\phi 3,5 \times 15$ mm p51</p>	<p>24x $\phi 16$ s2</p>
<p>29x $\phi 8 \times 30$ mm f1</p>	<p>35x $\phi 15 \times 12$ mm #16 r1</p>	<p>35x 20/9 r16</p>	<p>12x $\phi 3,5 \times 12$ mm p140</p>	<p>50x l1</p>	<p>10x $\phi 5 \times 50$ mm e32</p>
<p>2x L-230 m48</p>	<p>8x $\phi 3,5 \times 13$ mm p1</p>	<p>12x $\phi 6 \times 13$ mm e3</p>	<p>4x $\phi 5 \times 11$ mm e4</p>	<p>1x z1</p>	<p>2x $\phi 7 \times 28$ mm e22</p>
<p>6x $60 \times 60 \times 25$ mm k55</p>	<p>4x 300mm w206¹</p>	<p>4x 300mm w206²</p>	<p>9x $\phi 3 \times 12$ mm p54</p>	<p>3x z100/1¹</p>	<p>3x z100/1²</p>
<p>12x $\phi 4 \times 35$ mm p6</p>	<p>2x $\phi 20$ самоклейка s100</p>	<p>2x g2</p>	<p>3x z100/1³</p>	<p>3x z100/1⁴</p>	
<p>2x $\phi 6,3 \times 13$ mm e2</p>					

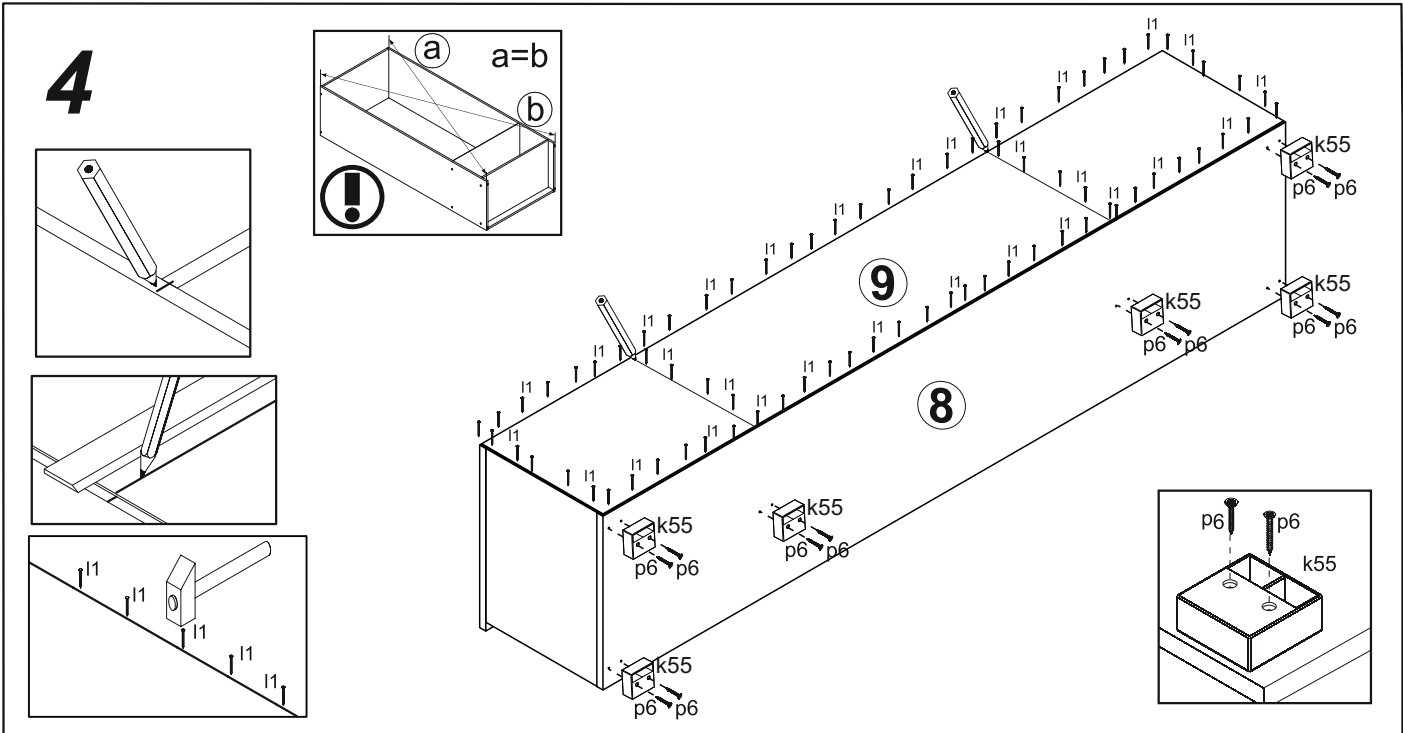
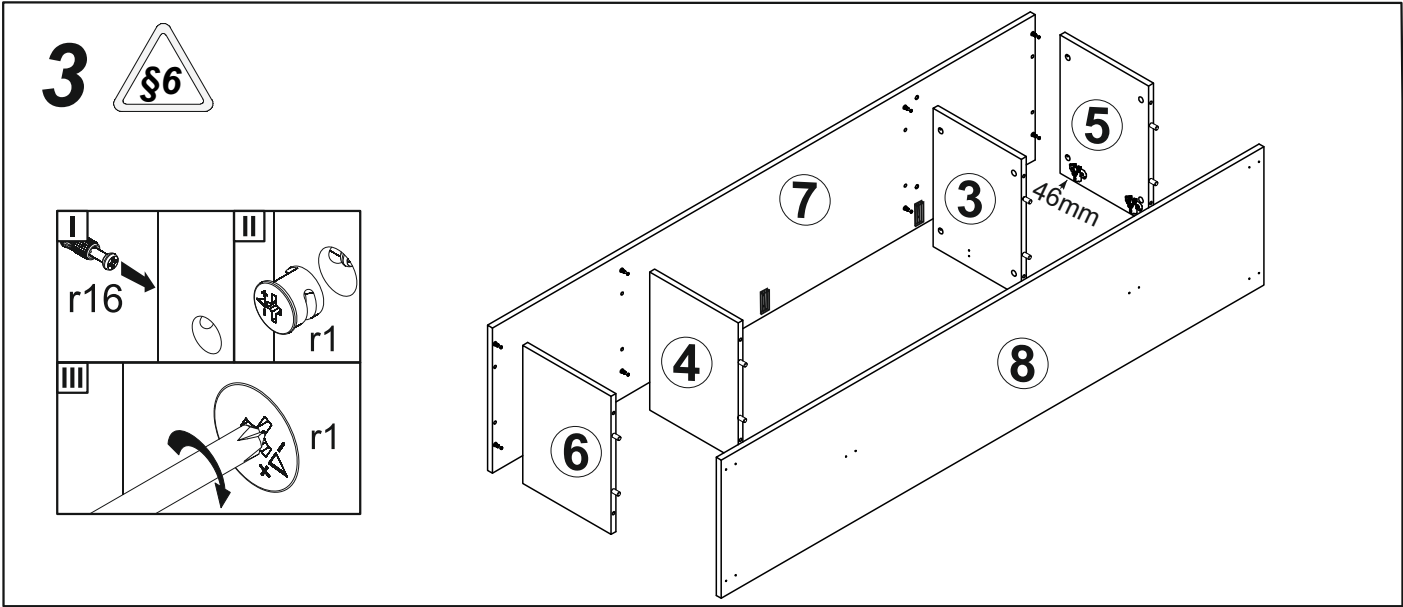
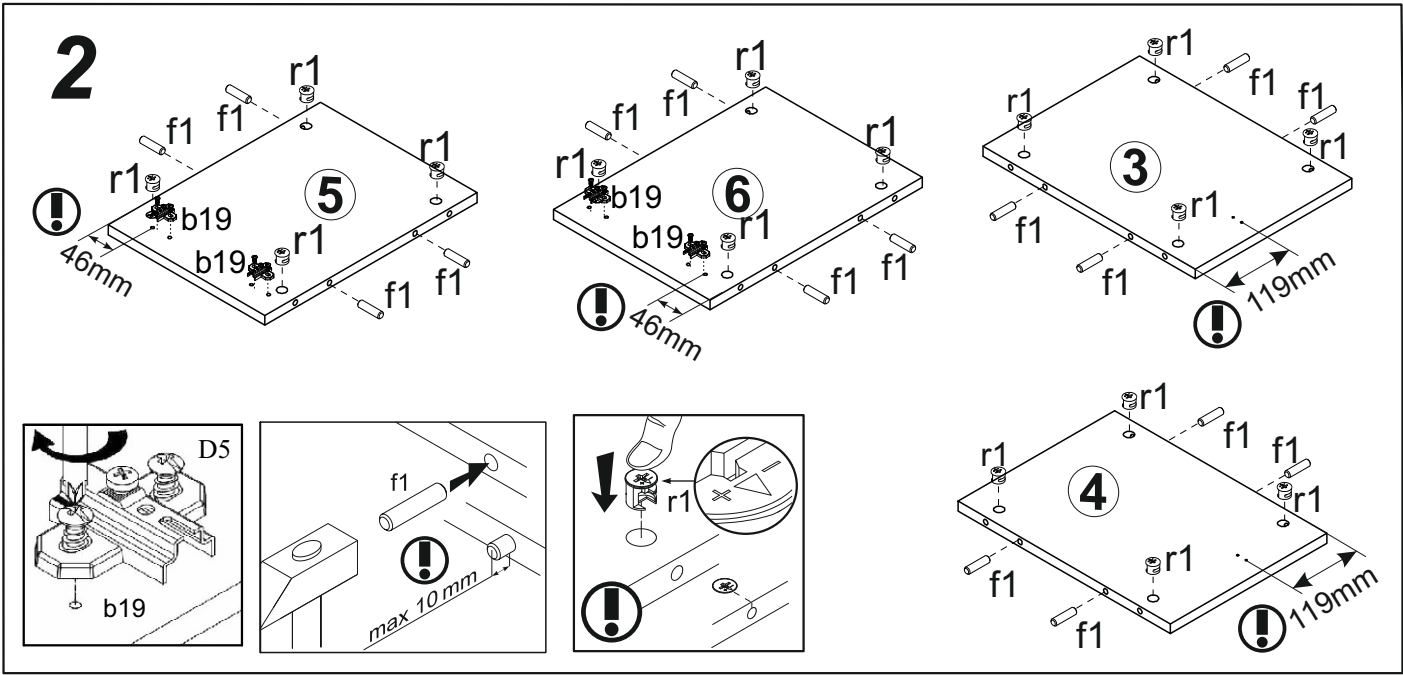
I



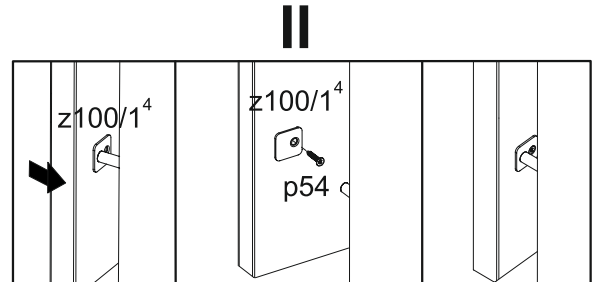
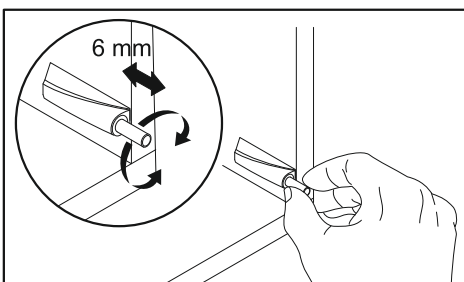
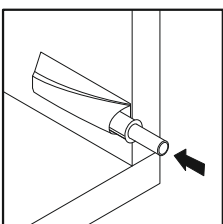
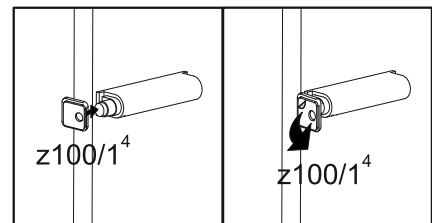
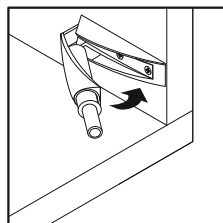
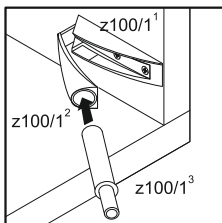
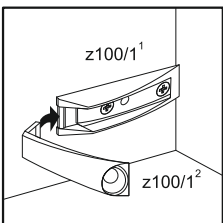
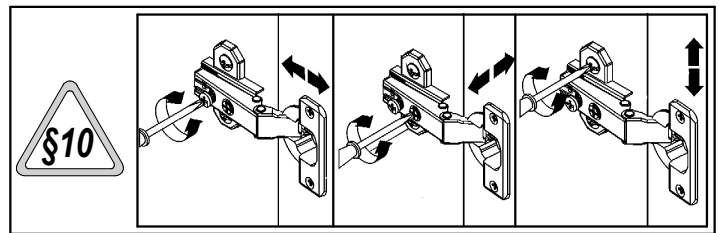
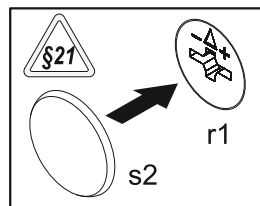
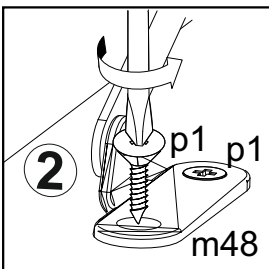
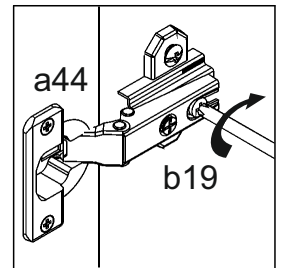
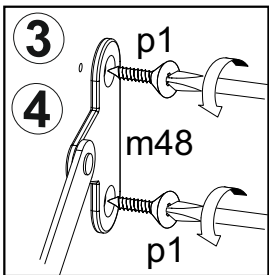
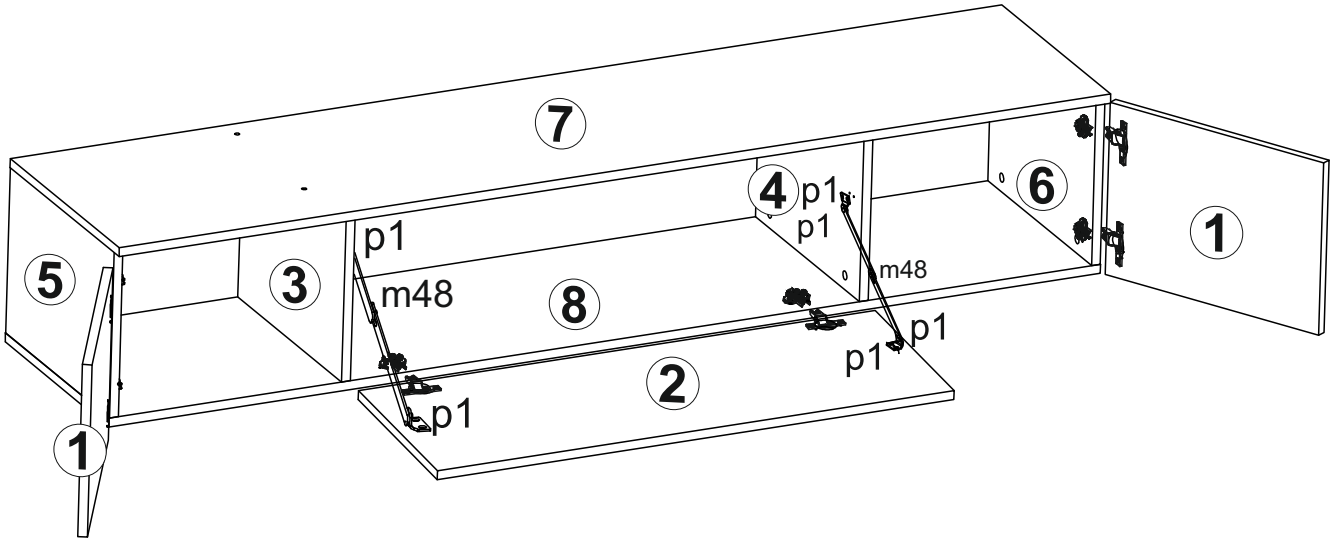
A	B	C	D	
1	RB2-005	425	305	2/3
2	RB2-006	938	305	2/3
3	RB2-104	293	397	2/3
4	RB2-105	293	397	2/3
5	RB2-107	293	397	2/3
6	RB2-108	293	397	2/3
7	RB2-203	1800	417	2/3
8	RB2-204	1800	397	2/3
9	RB2-904	1794	320	2/3

1 §2



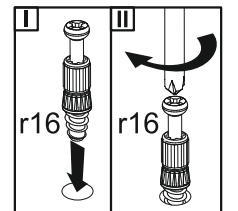
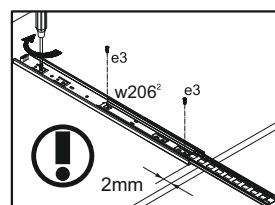
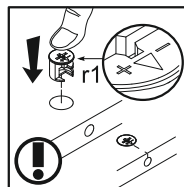
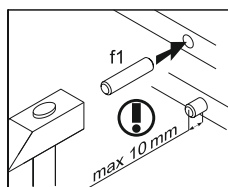
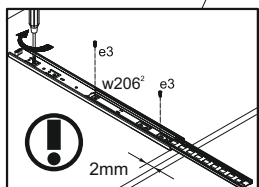
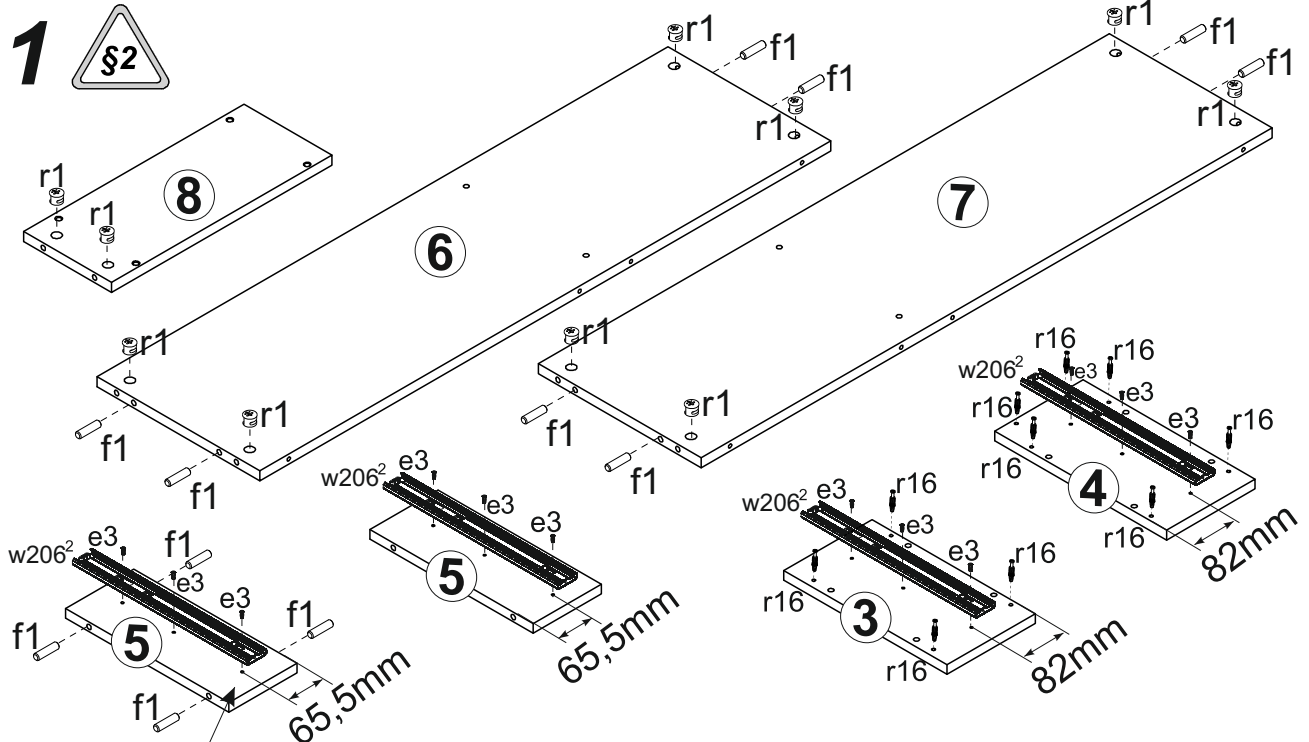
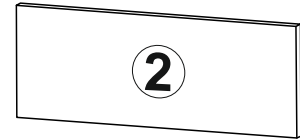
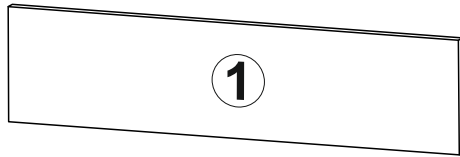
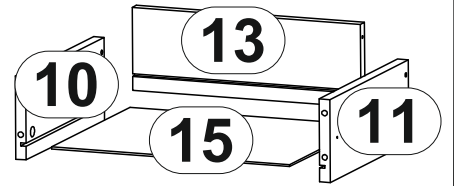
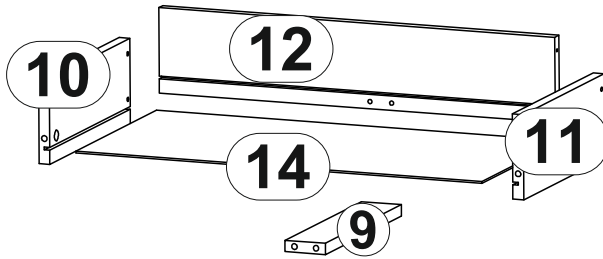
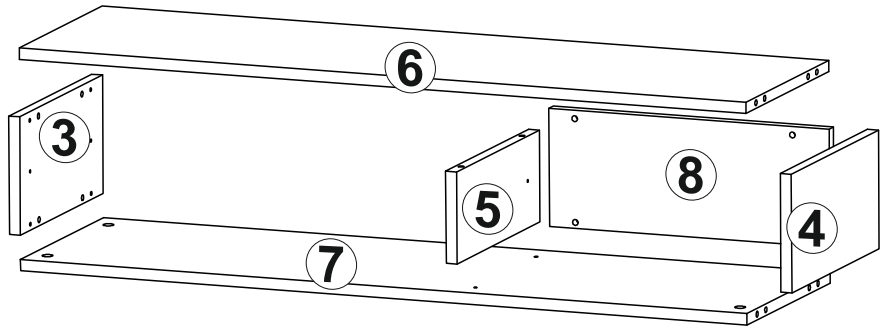


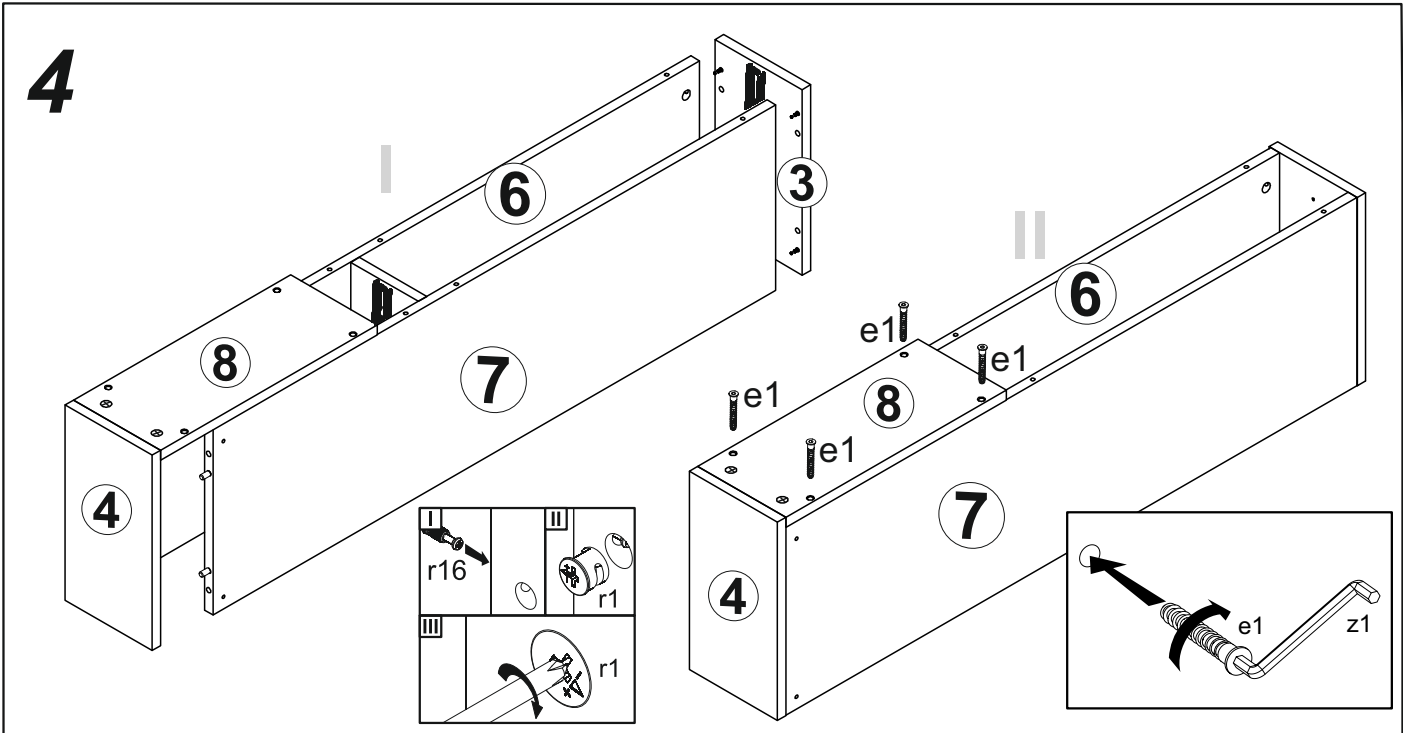
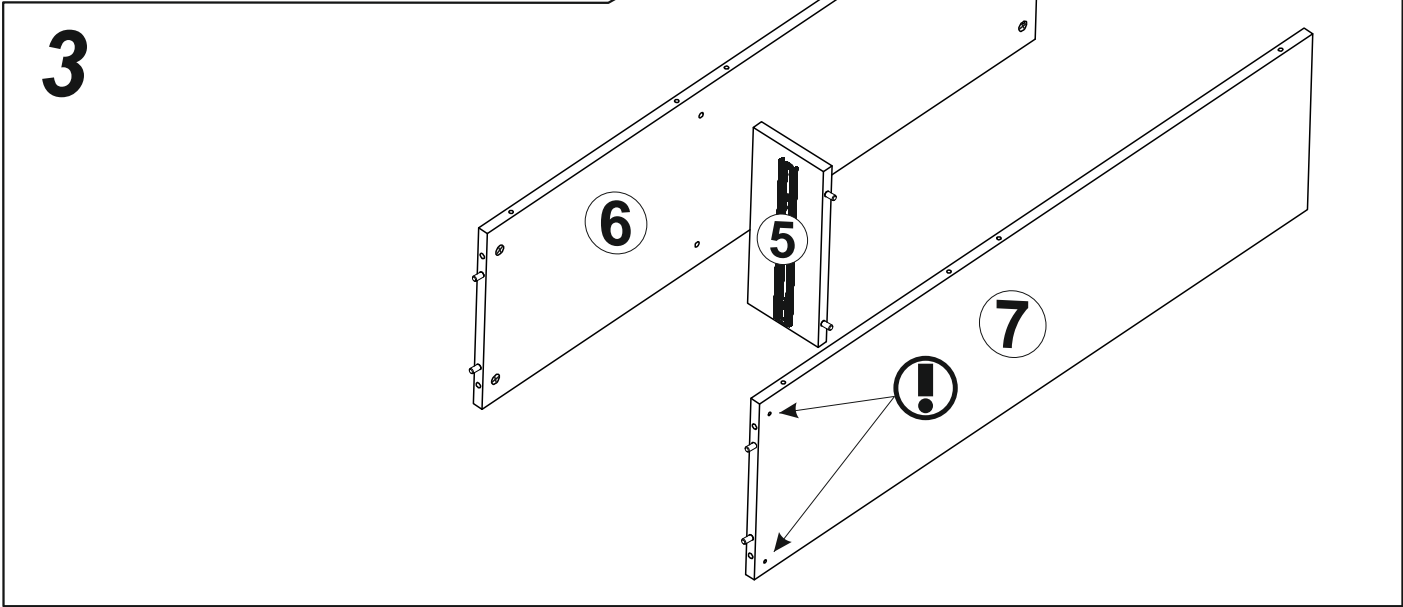
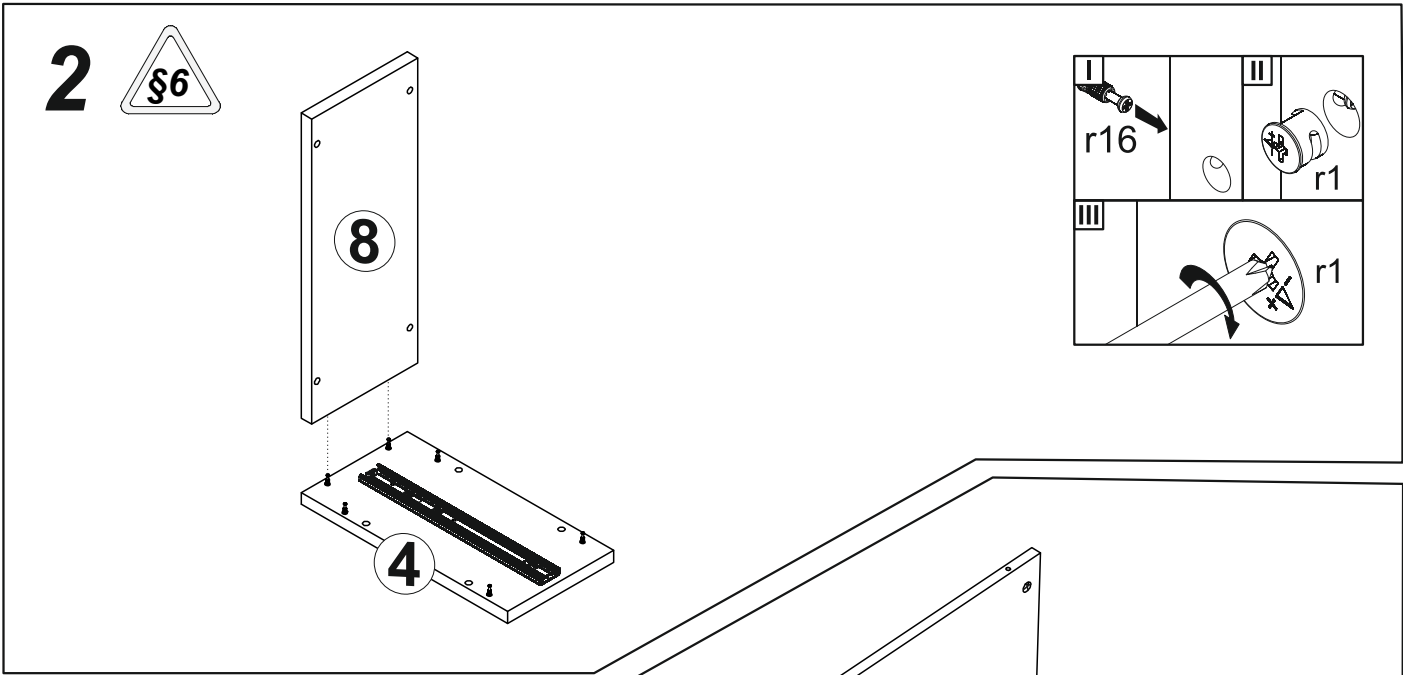
5



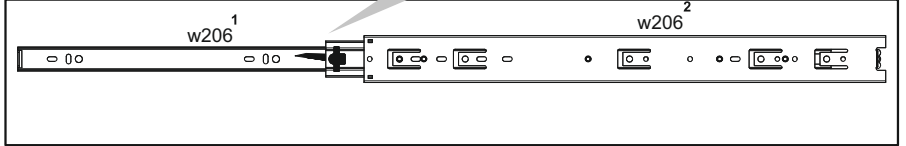
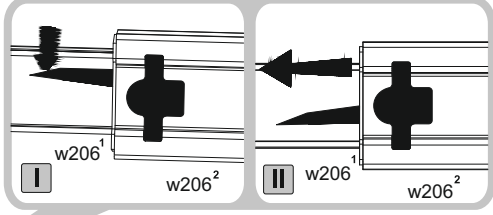
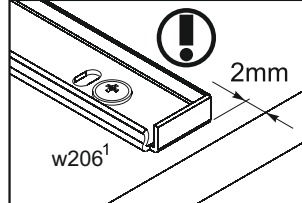
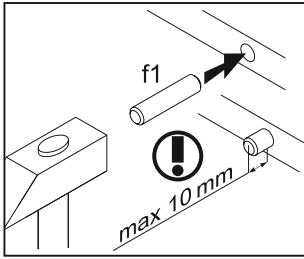
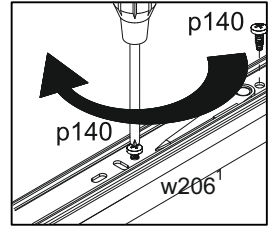
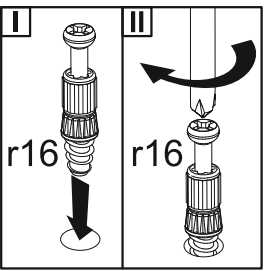
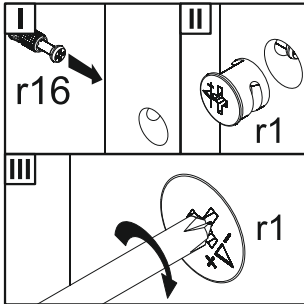
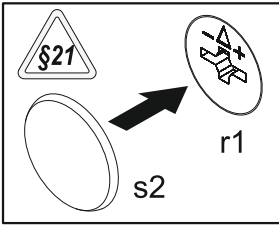
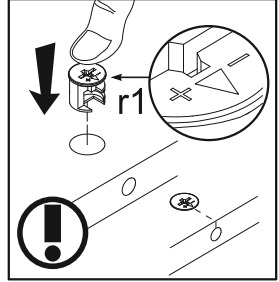
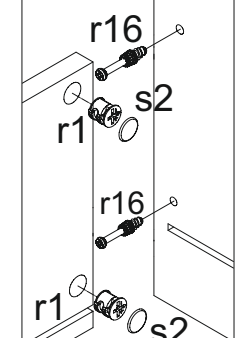
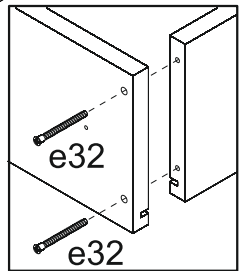
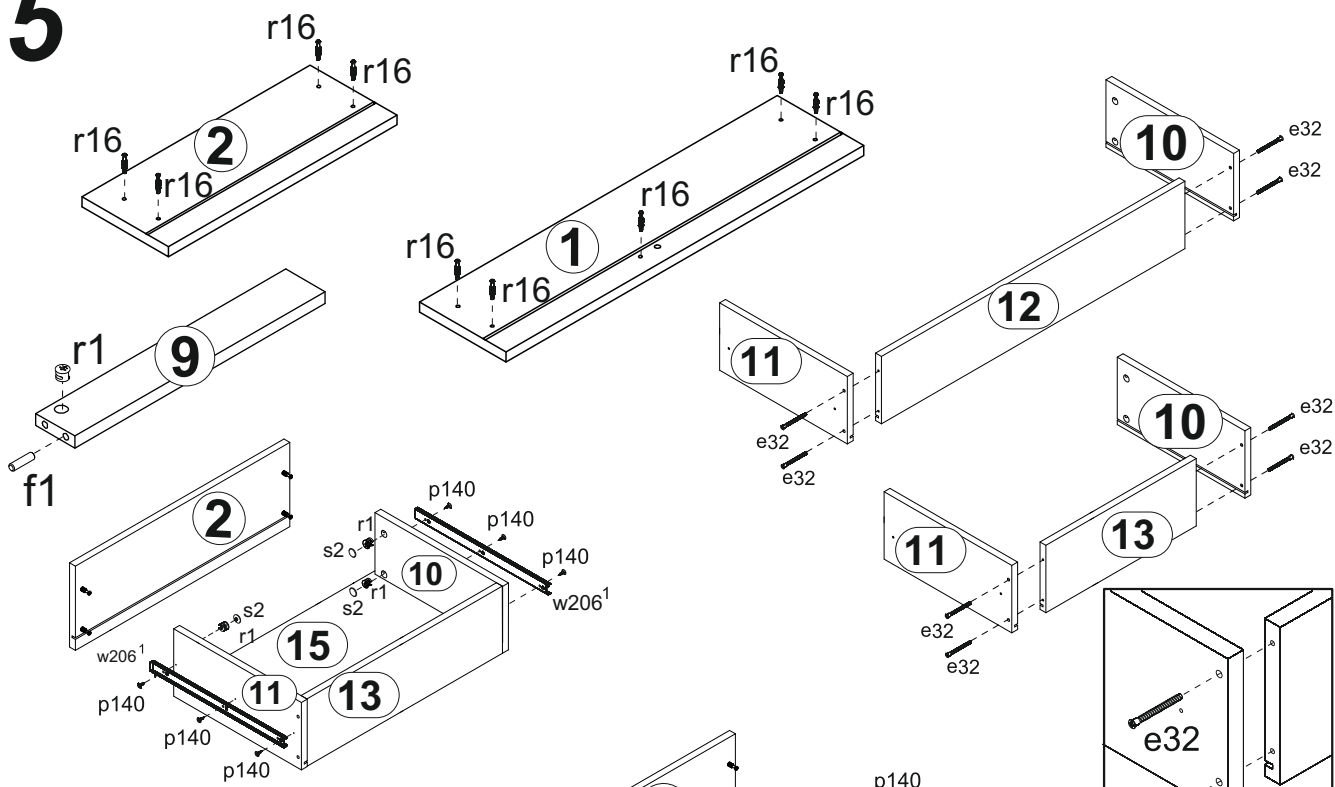
II

A	B	C	D	
1	RB2-001	669	162	3/3
2	RB2-002	427	162	3/3
3	RB2-101	305	165	3/3
4	RB2-102	321	165	3/3
5	RB2-103	305	128	3/3
6	RB2-301	1068	305	3/3
7	RB2-302	1068	305	3/3
8	RB2-401	412	165	3/3
9	RB2-402	283	60	3/3
10	RB2-551	300	120	3/3
11	RB2-552	300	120	3/3
12	RB2-553	588	120	3/3
13	RB2-554	348	120	3/3
14	RB2-901	299	603	3/3
15	RB2-902	299	363	3/3





5

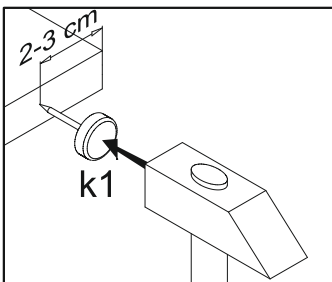
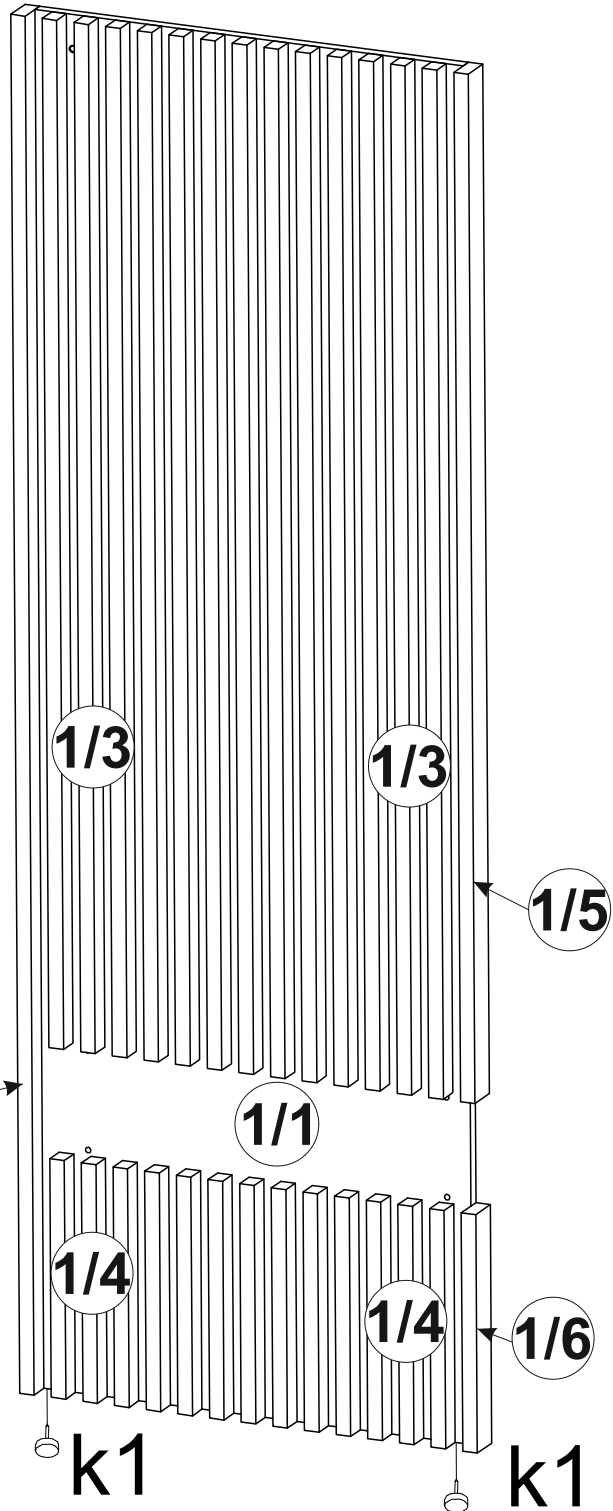


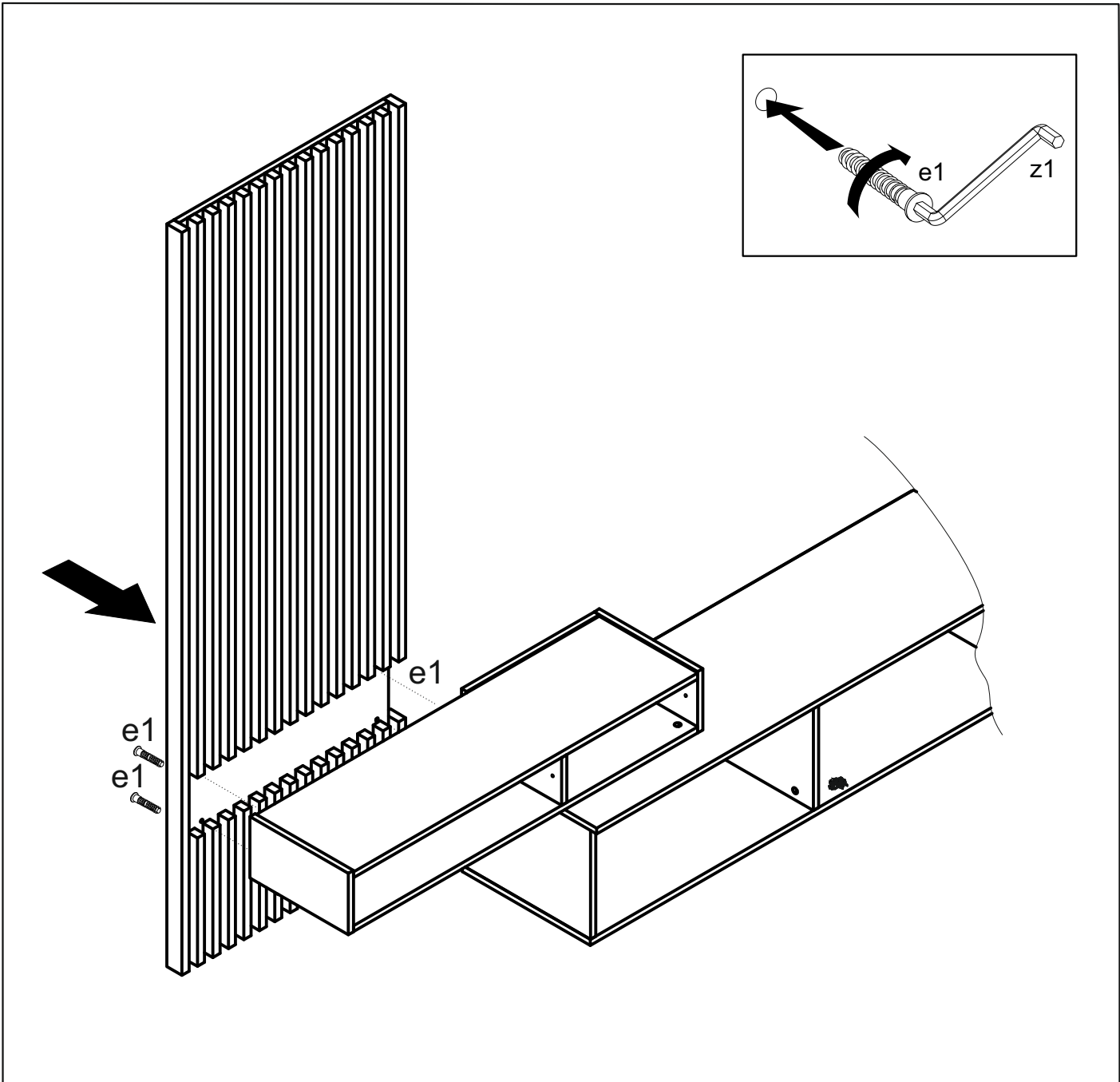
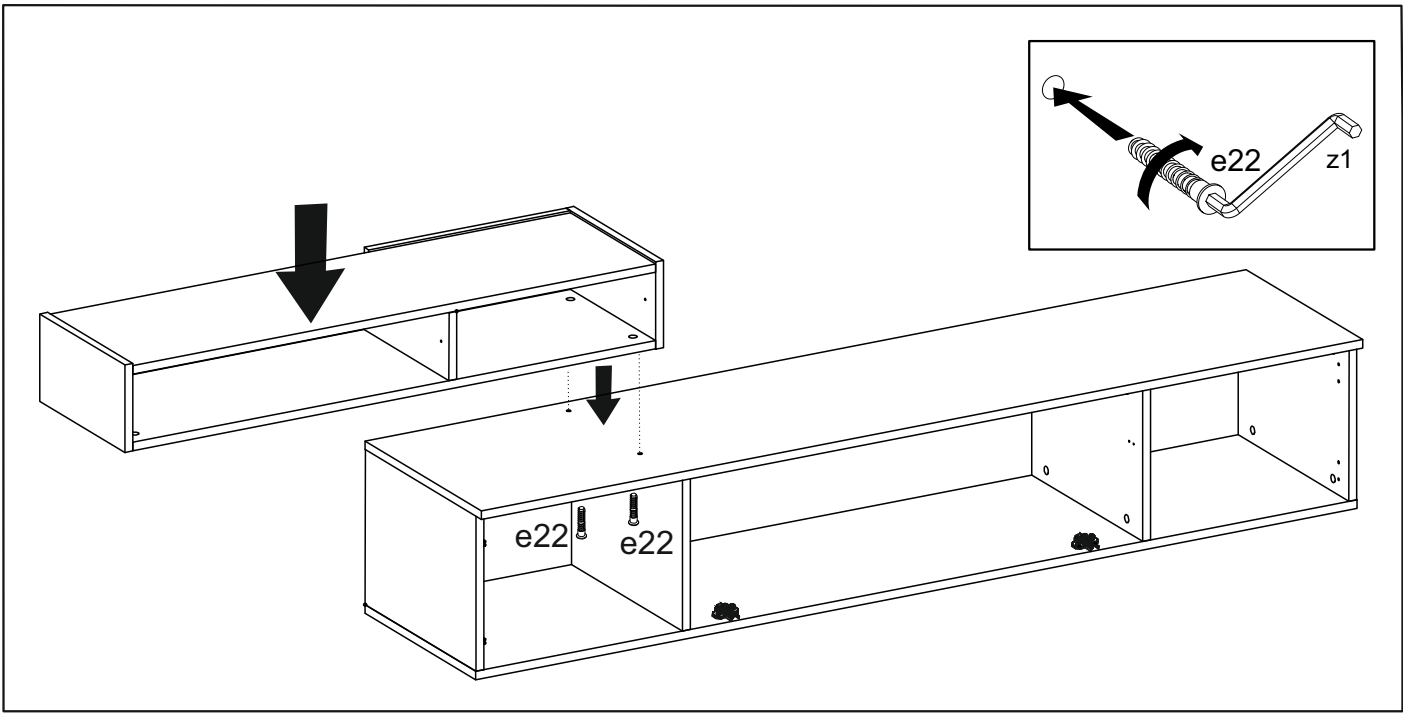


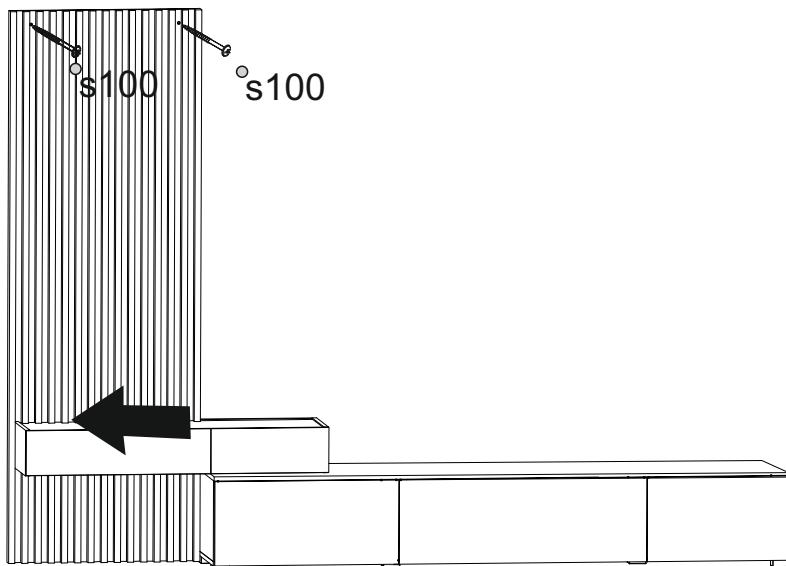
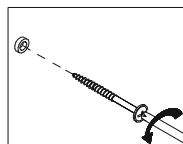
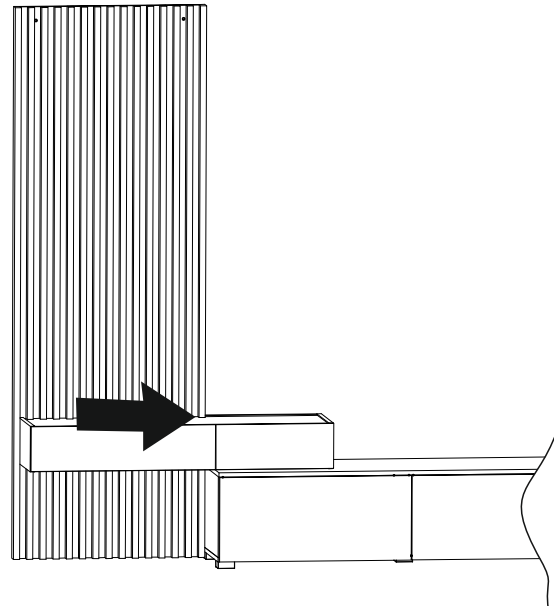
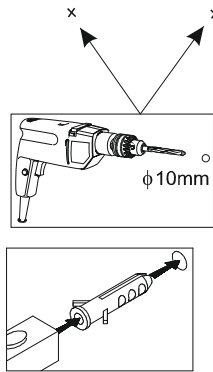
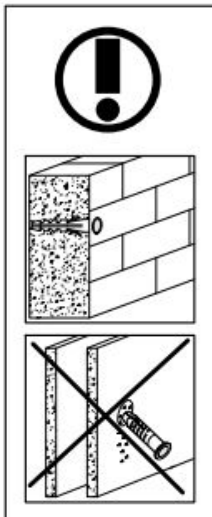
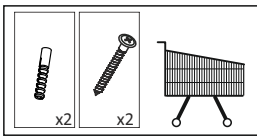
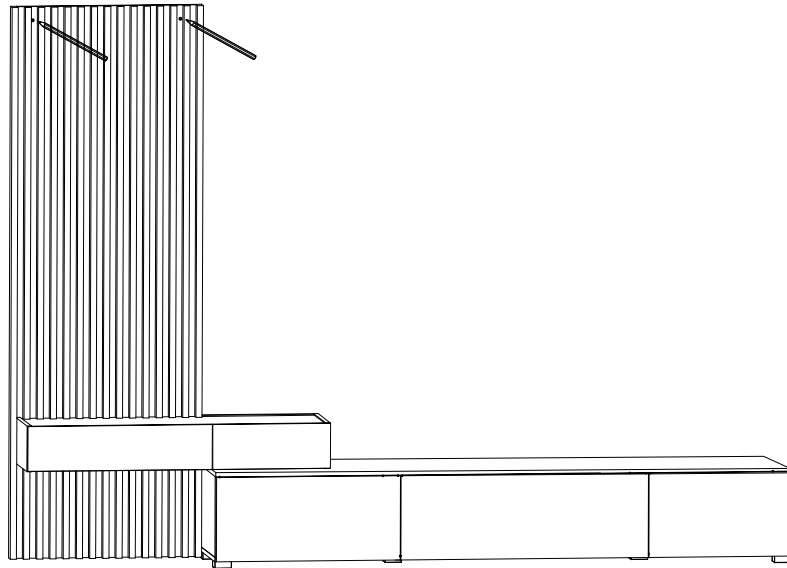
A	B	C		D
1	RB2- 501	1995	694	1/3



1/1	RB2- 403	1995	650	1/3
1/2	RB2- 404	1995	47	1/3
1/3	RB2- 405	1488	31	1/3
1/4	RB2- 406	345	31	1/3
1/5	RB2- 407	1488	47	1/3
1/6	RB2- 408	345	47	1/3

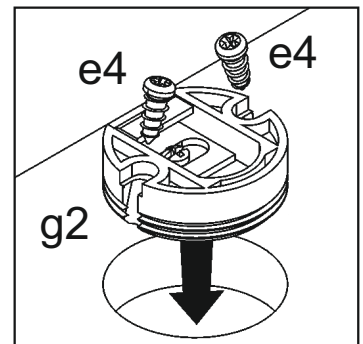
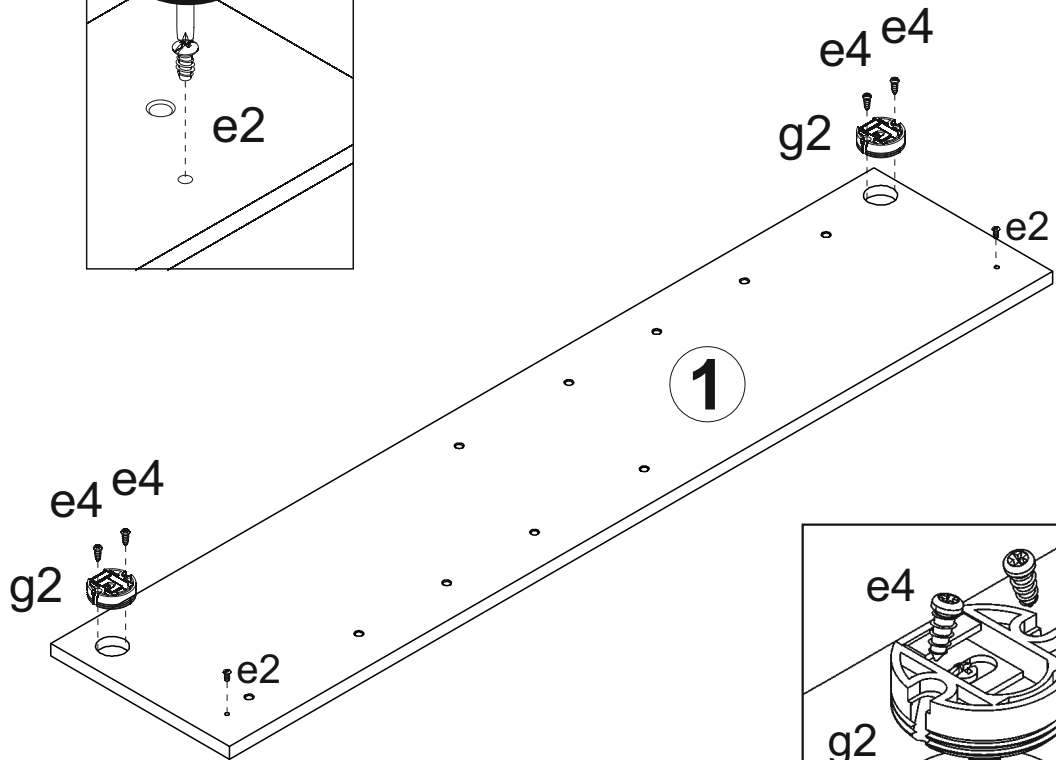
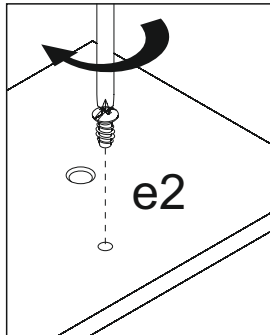
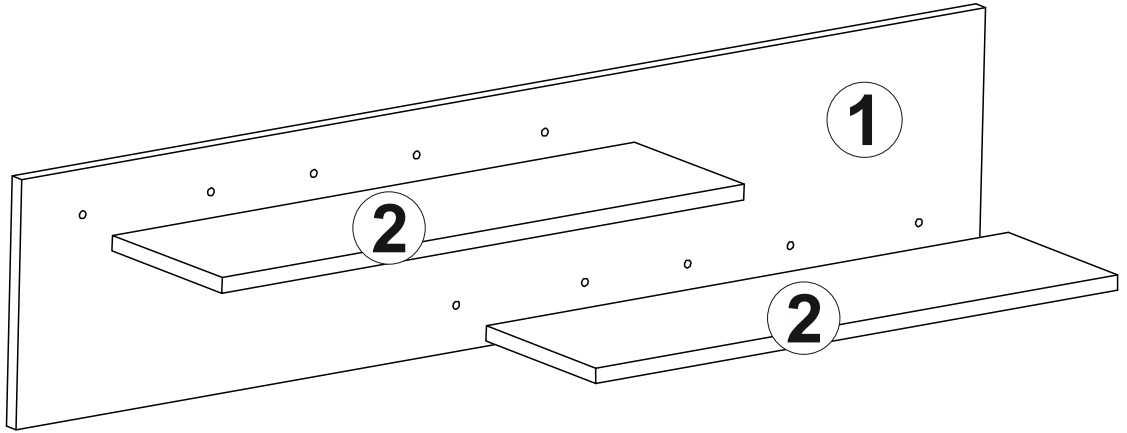




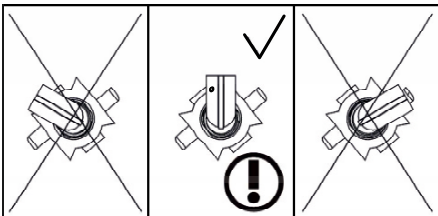
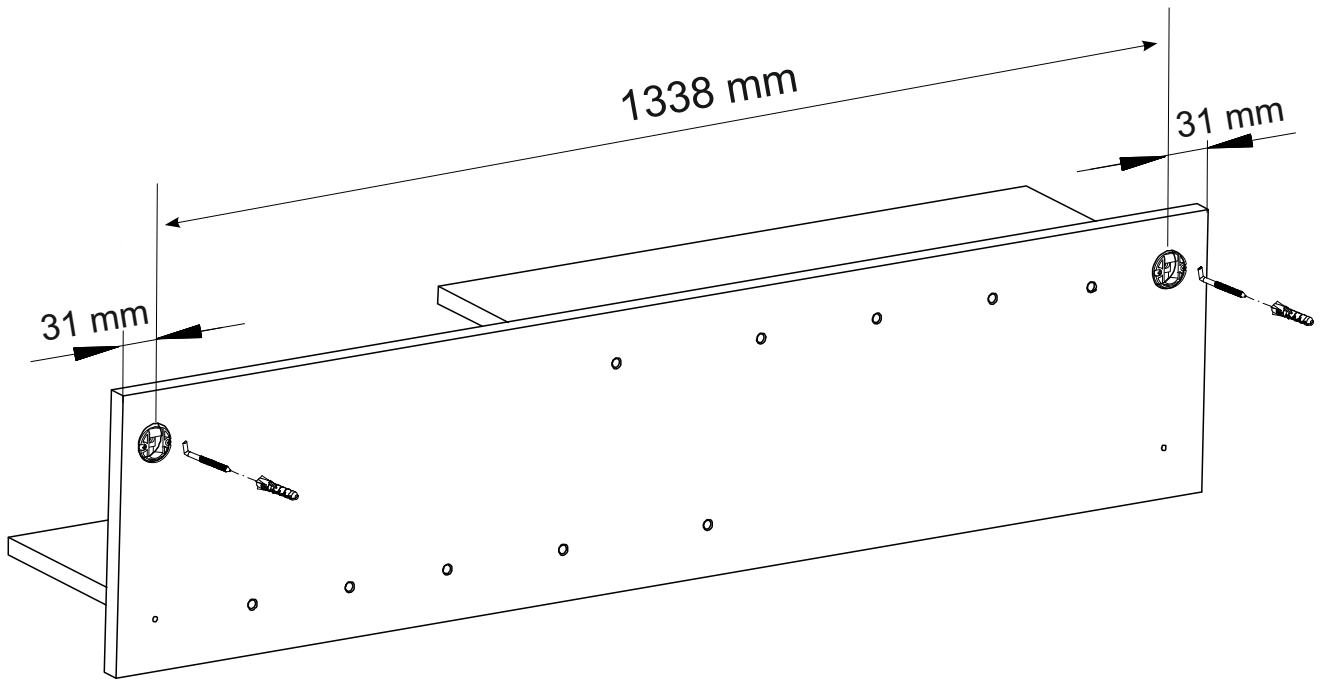
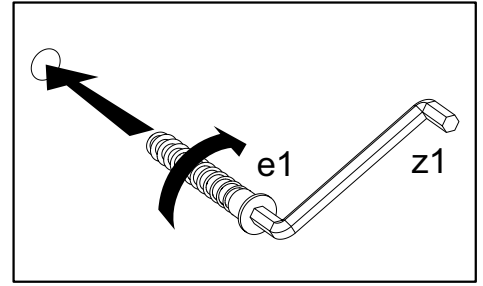
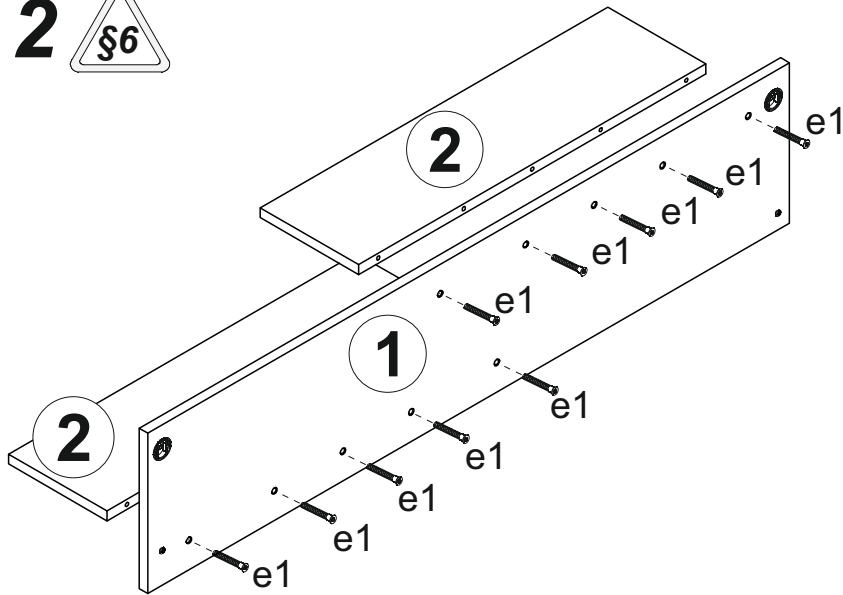


IV

A	B	C		D
1	RB2 -410	1400	260	2/3
2	RB2 -304	750	184	3/3



2 §6



§10

