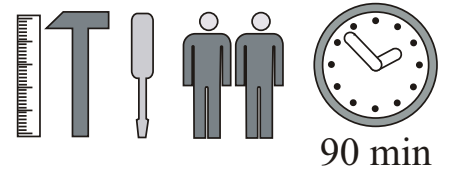
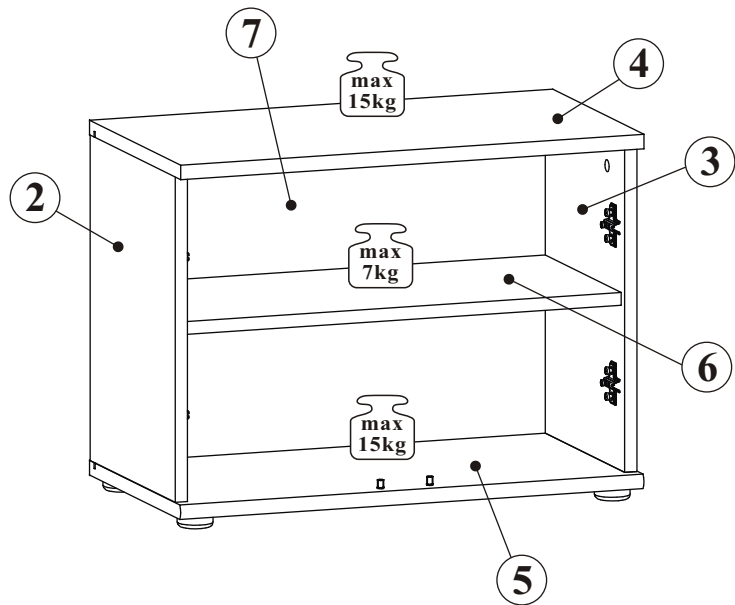
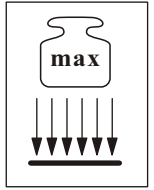
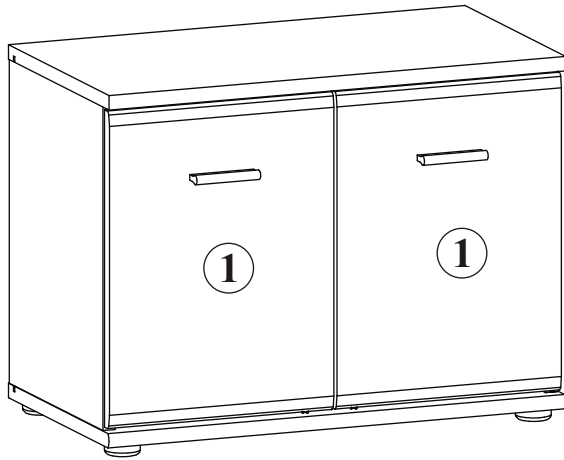


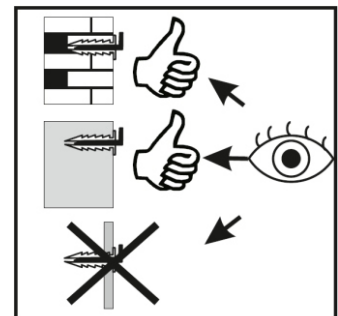
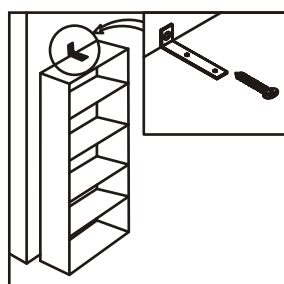
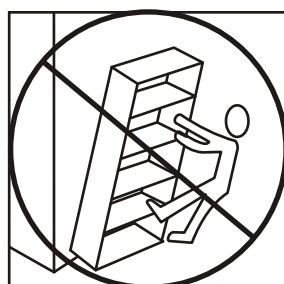
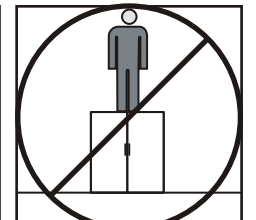
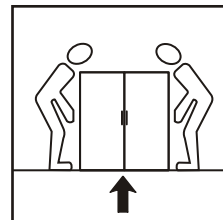
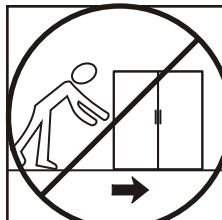
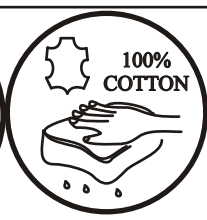
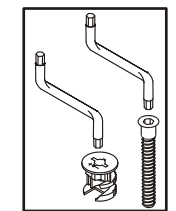
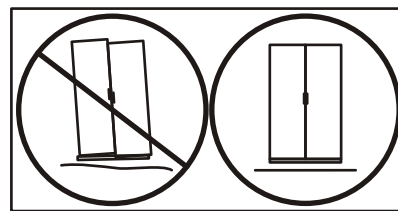
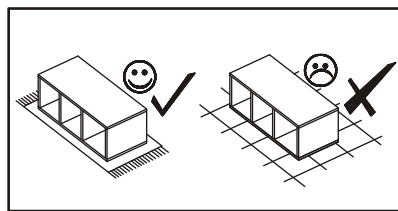
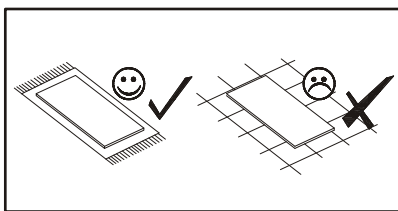
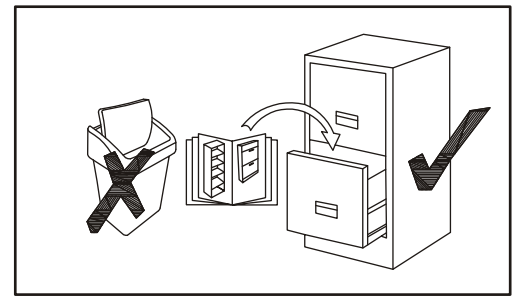
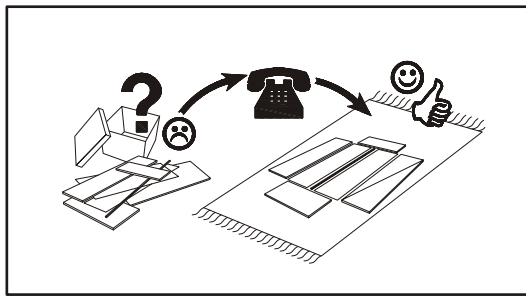
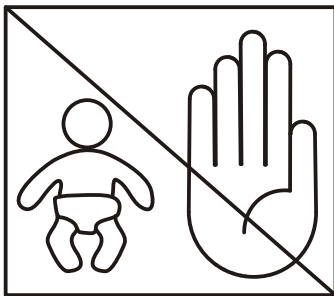
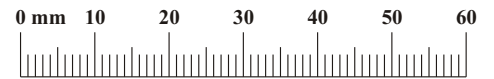
ARMARIO 1 ECO TYP F



NO	Dim.			Col.-No	Qty
1	396	296	16	1	2
2	404	300	16	1	1
3	404	300	16	1	1
4	602	322	18	1	1
5	602	322	18	1	1
6	568	268	16	1	1
7	415	578	3	1	1

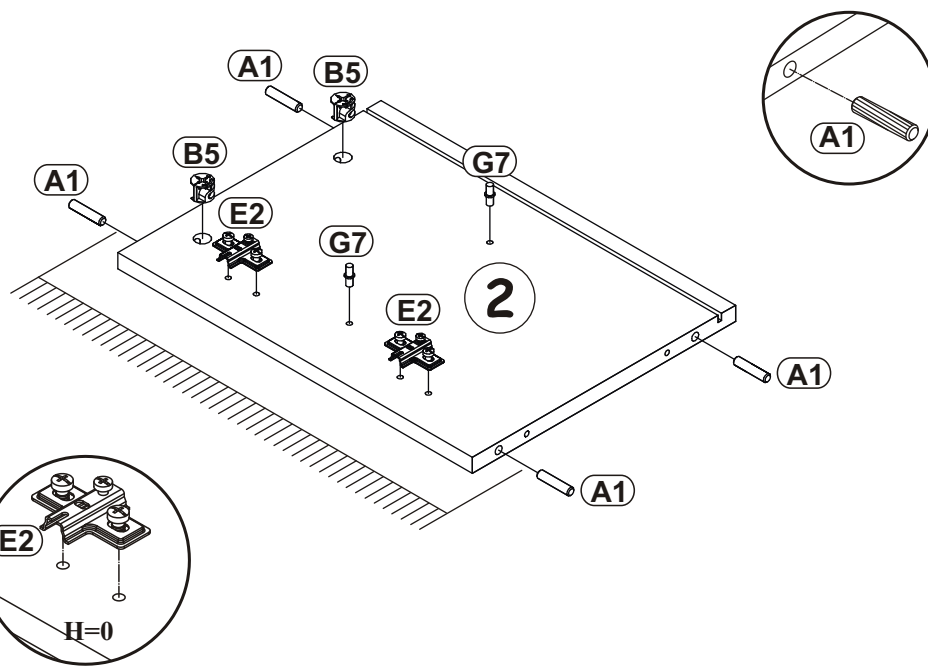
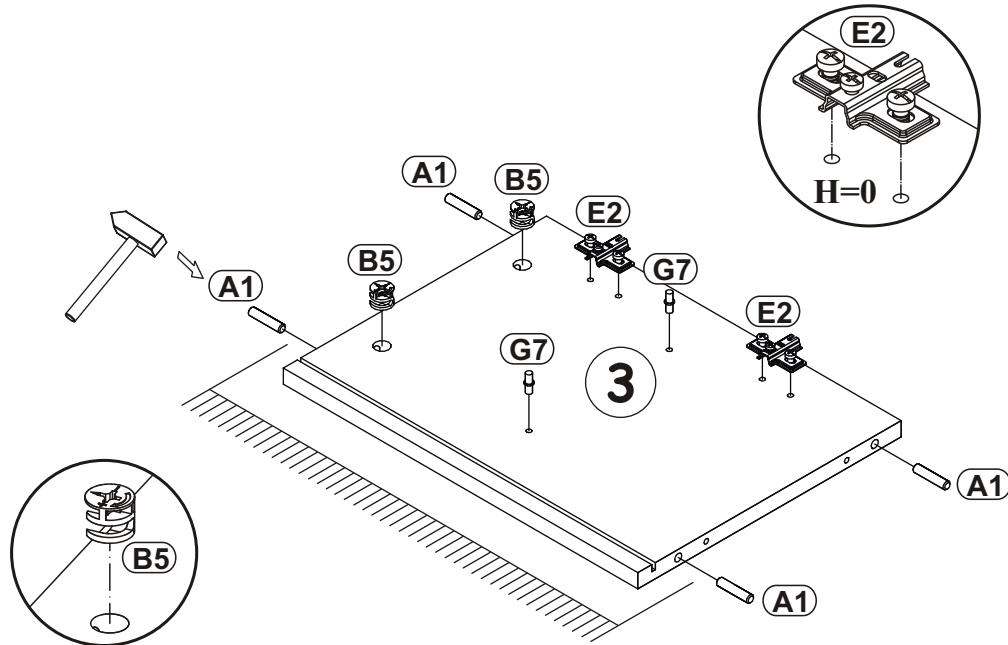
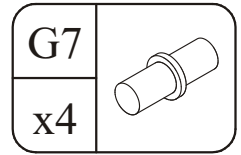
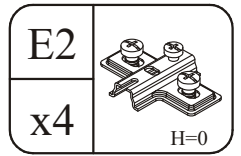
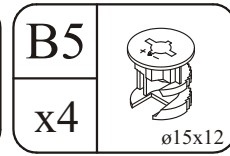
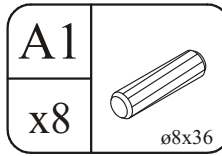
ARMARIO 1 ECO TYP F

A1 x8 ø8x36	B4 x4	B5 x4 ø15x12	G5 x4	B11 x4 Ø7x50	G4 x4
E1 x4 Ø26 H=0	E2 x4 H=0	D10 x10 USØ3,5x13	KL x2 L-64mm	UP6 x4 UPØ4x30	Z2 x4 Ø5
I11 x4	UP11 x4 UPØ4x20	S1 x6	G20 x2	G7 x4	G2 x1
L1 x1	KR1 x1 Ø8				

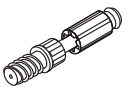


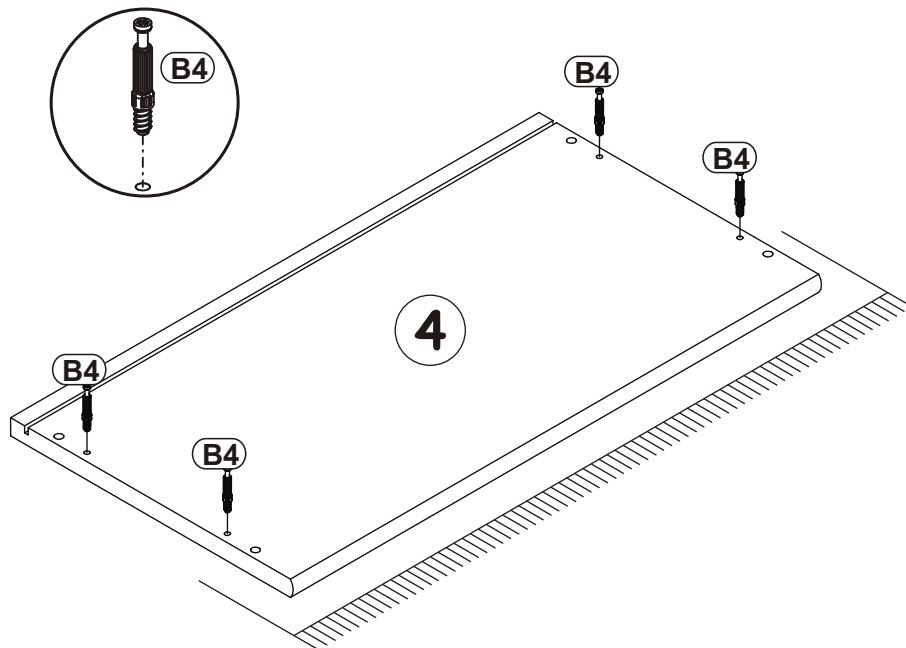
ARMARIO 1 ECO TYP F

1

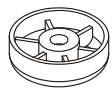

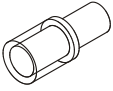


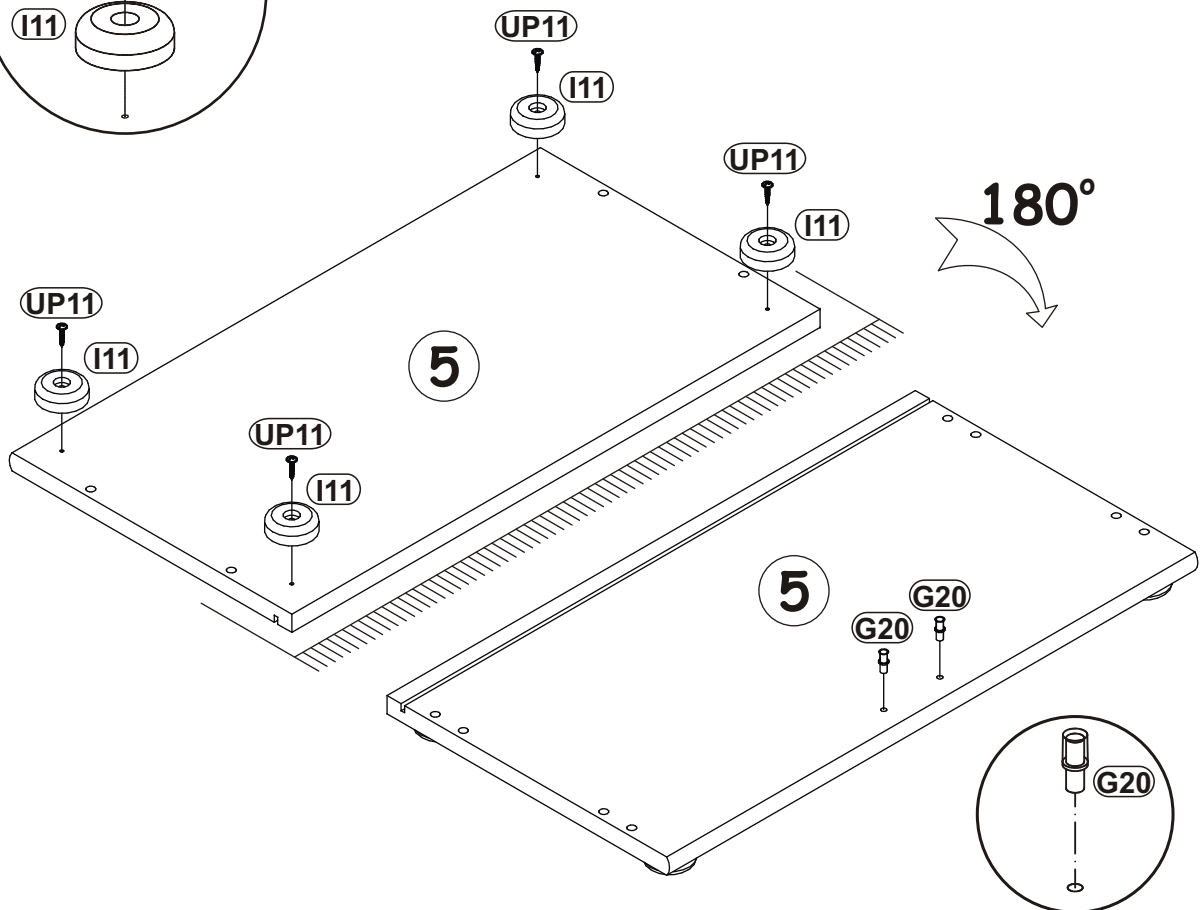
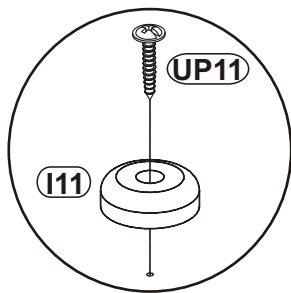
2

B4	
x4	



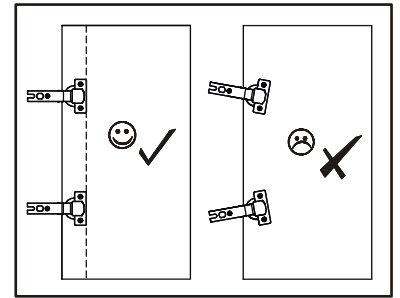
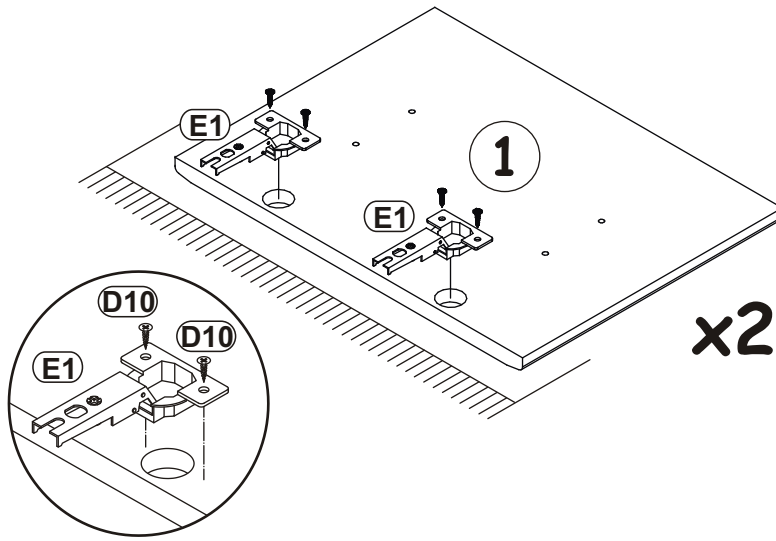
3

I11		UP11		G20	
x4		x4	UPØ4x20	x2	



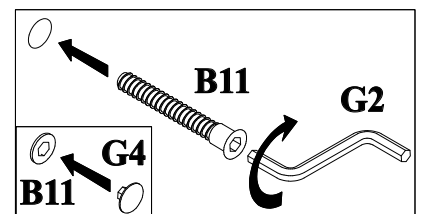
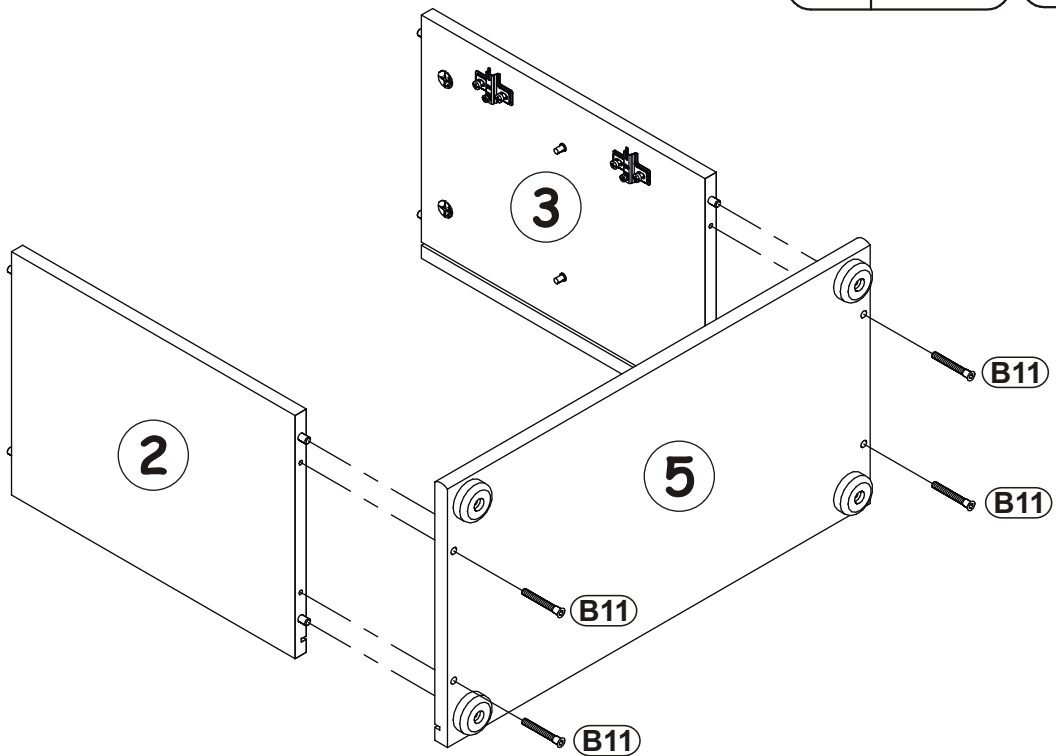
4

E1	Ø26	D10	
x4	H=0	x8	USØ3,5x13




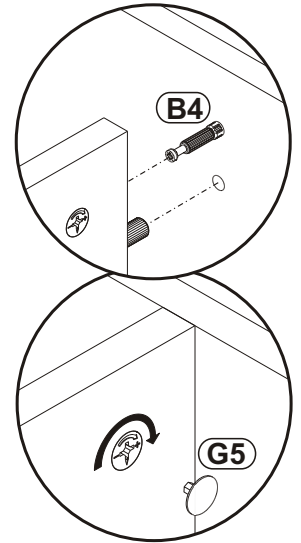
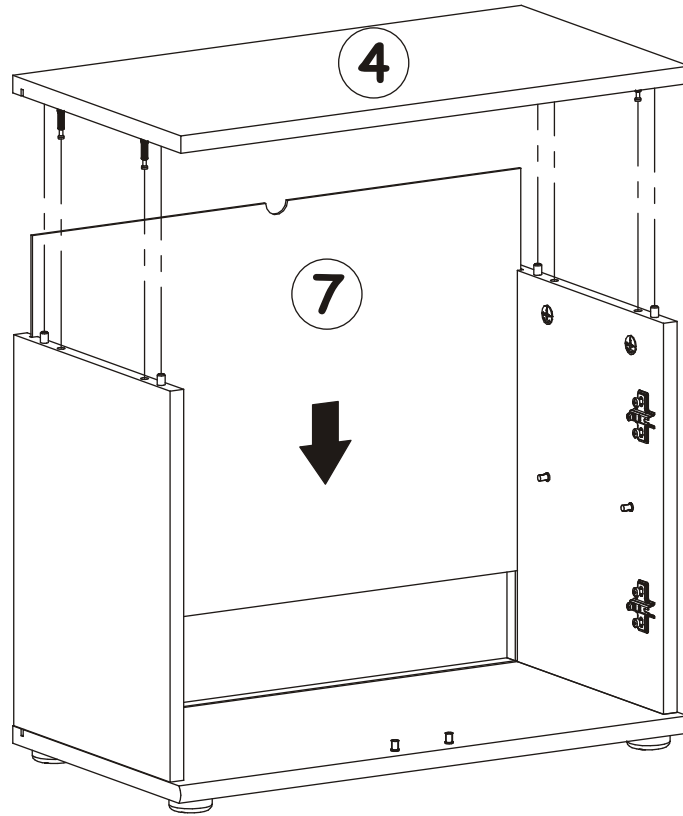
5

B11		G4	
x4	Ø7x50	x4	




6

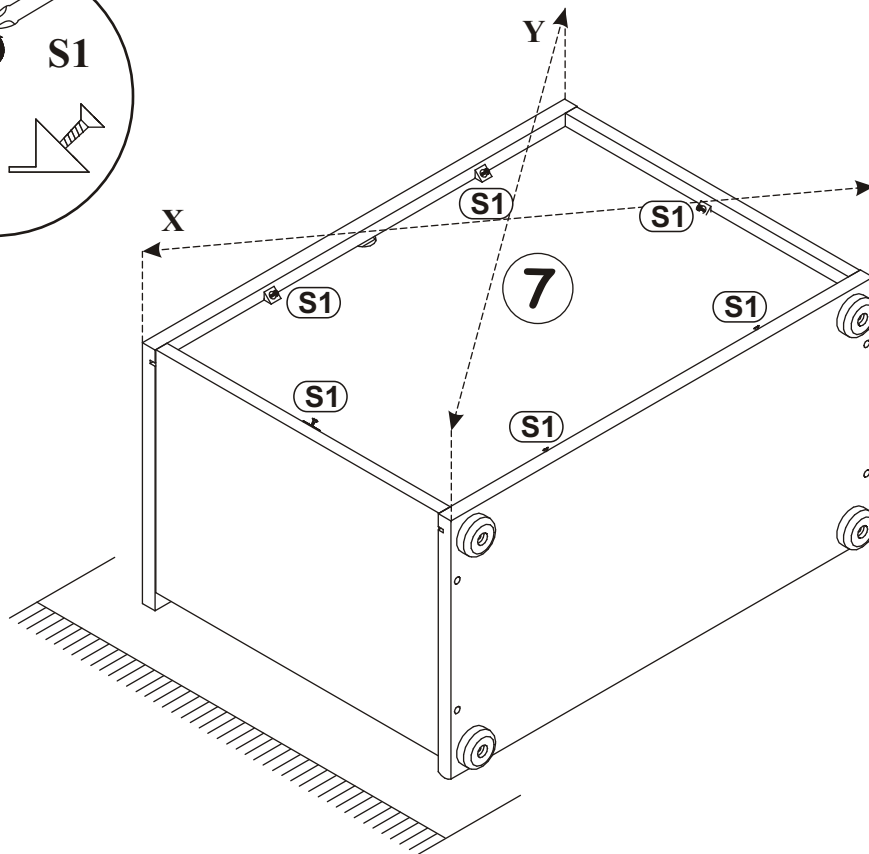
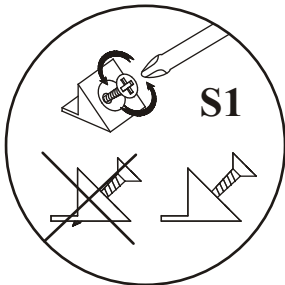
G5	
x4	



7

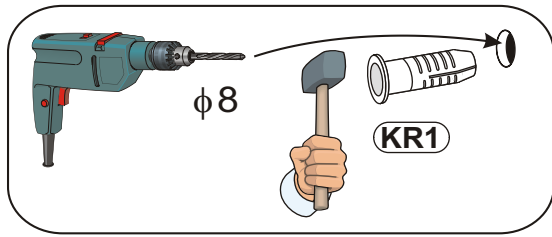
$X=Y$ $\uparrow 90^\circ$

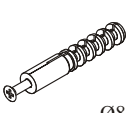

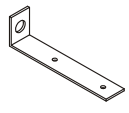
S1	
x6	

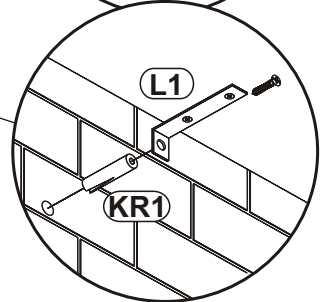
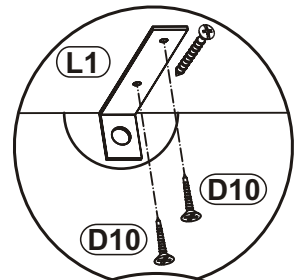
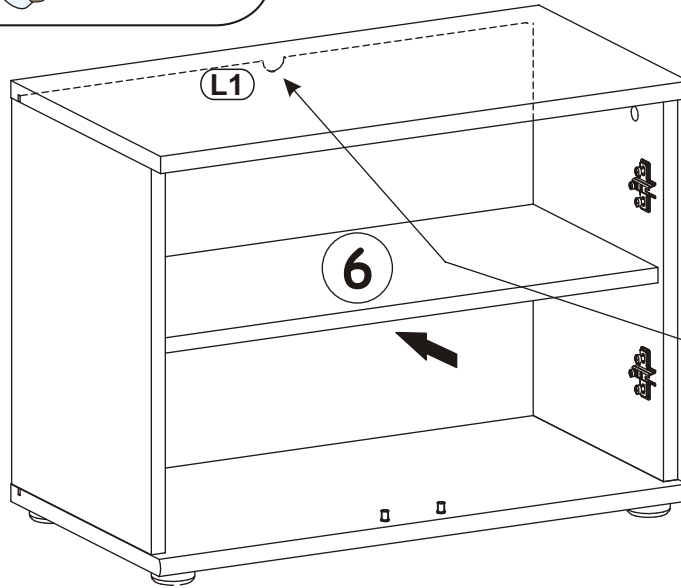
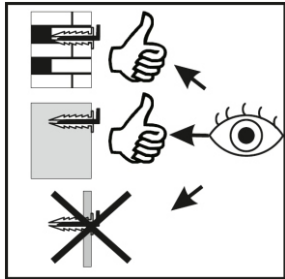


ARMARIO 1 ECO TYP F

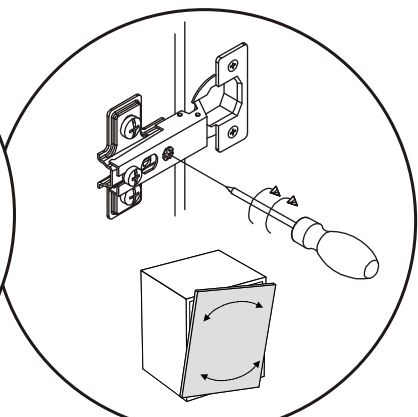
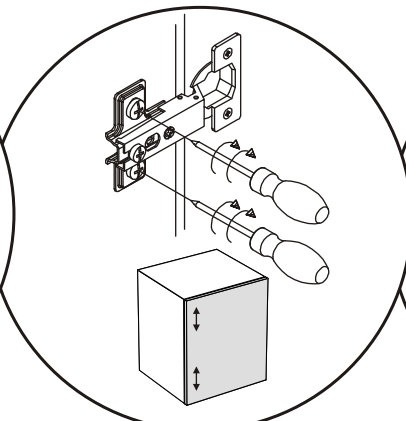
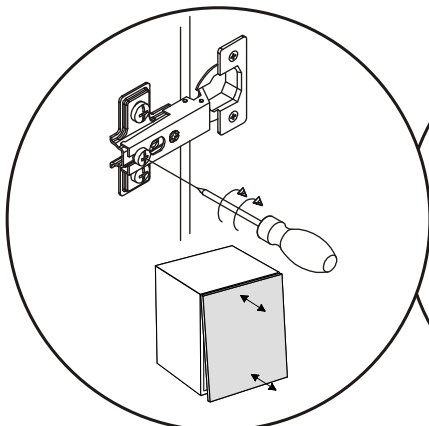
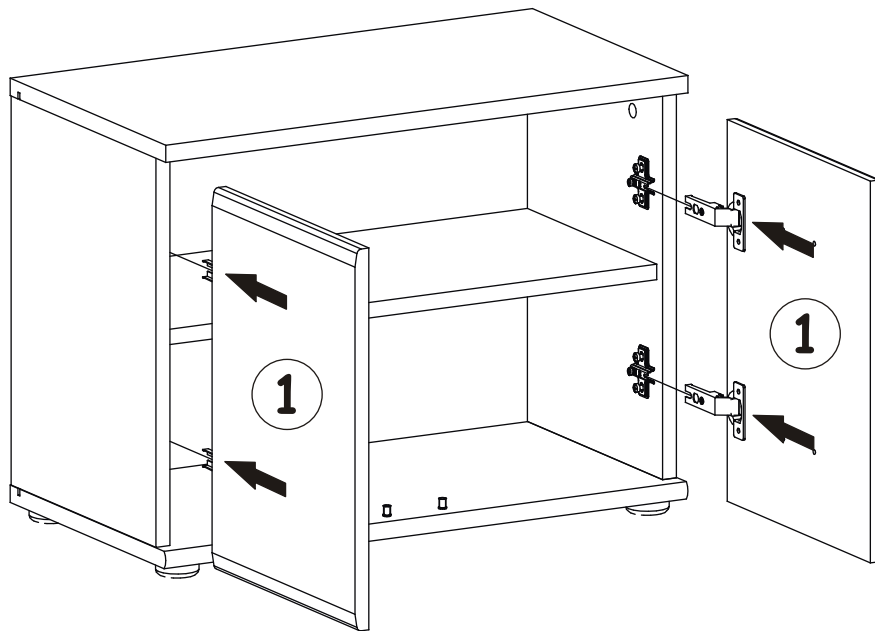
8



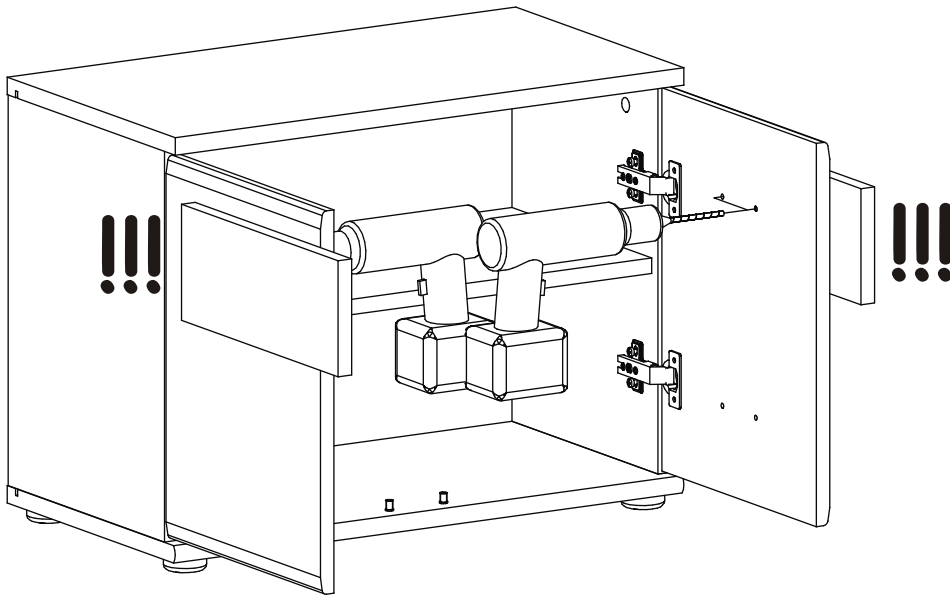
KR1		D10		L1	
x1	∅8	x2	US∅3,5x13	x1	



9



10



11

