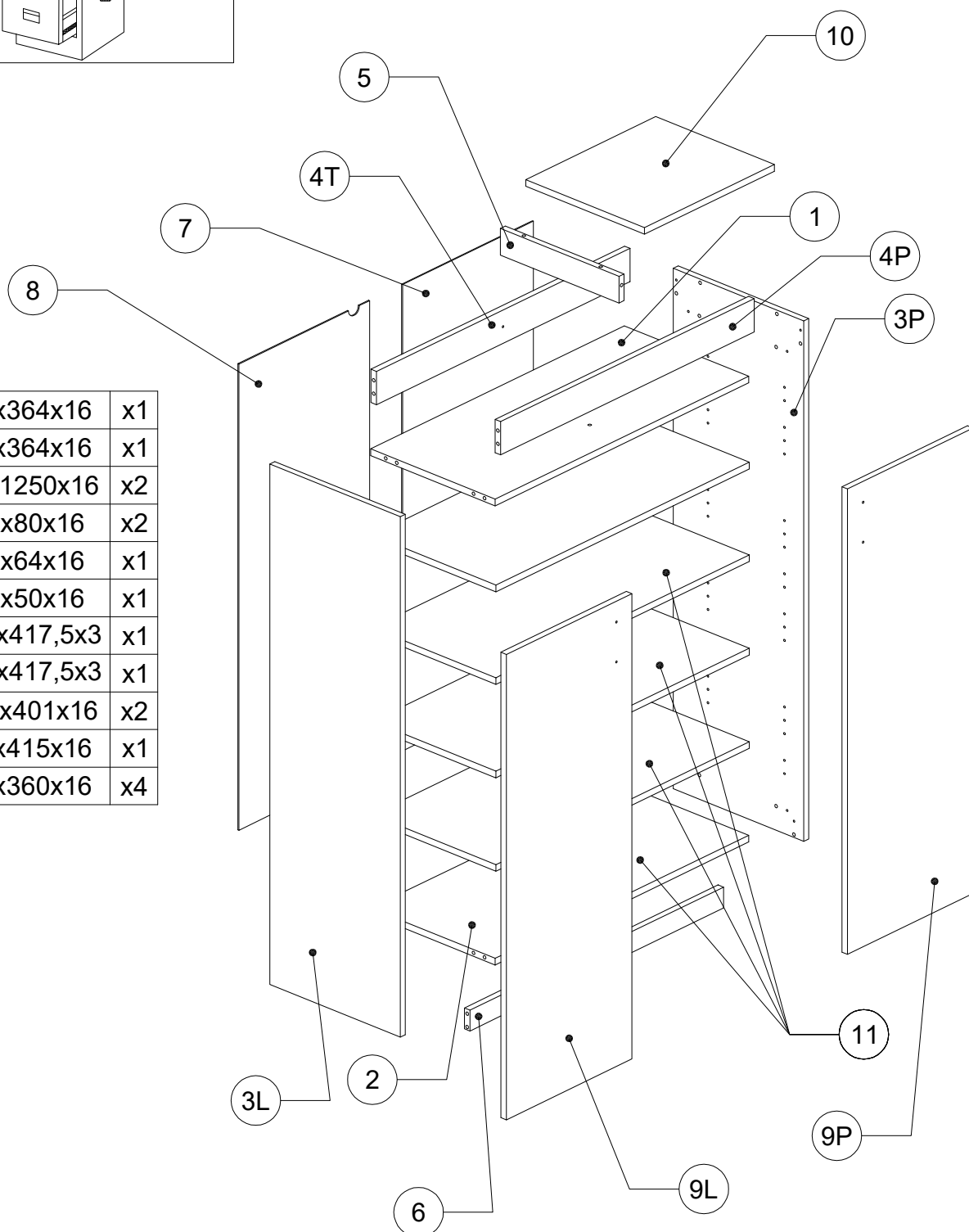

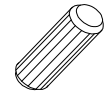
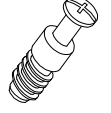

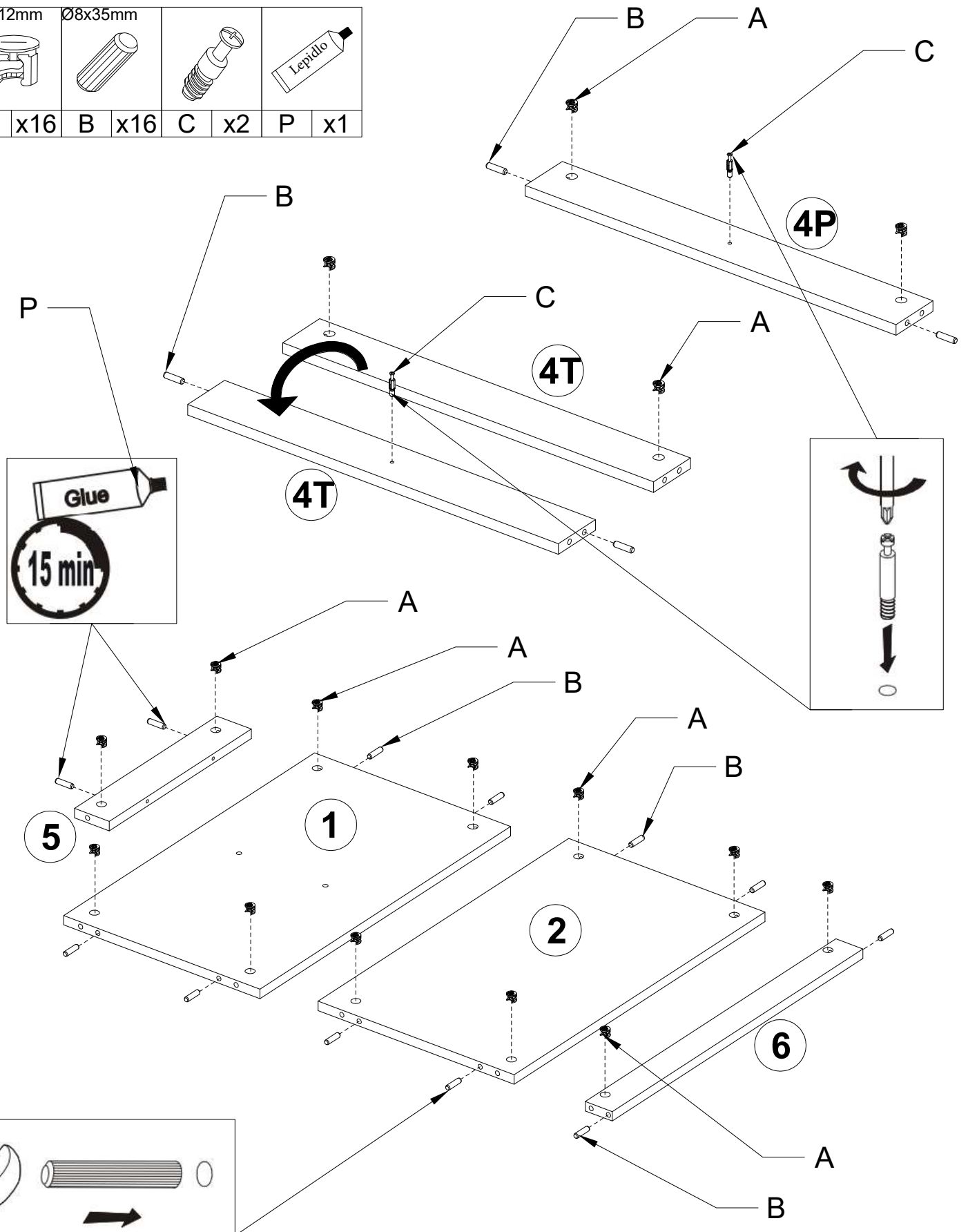
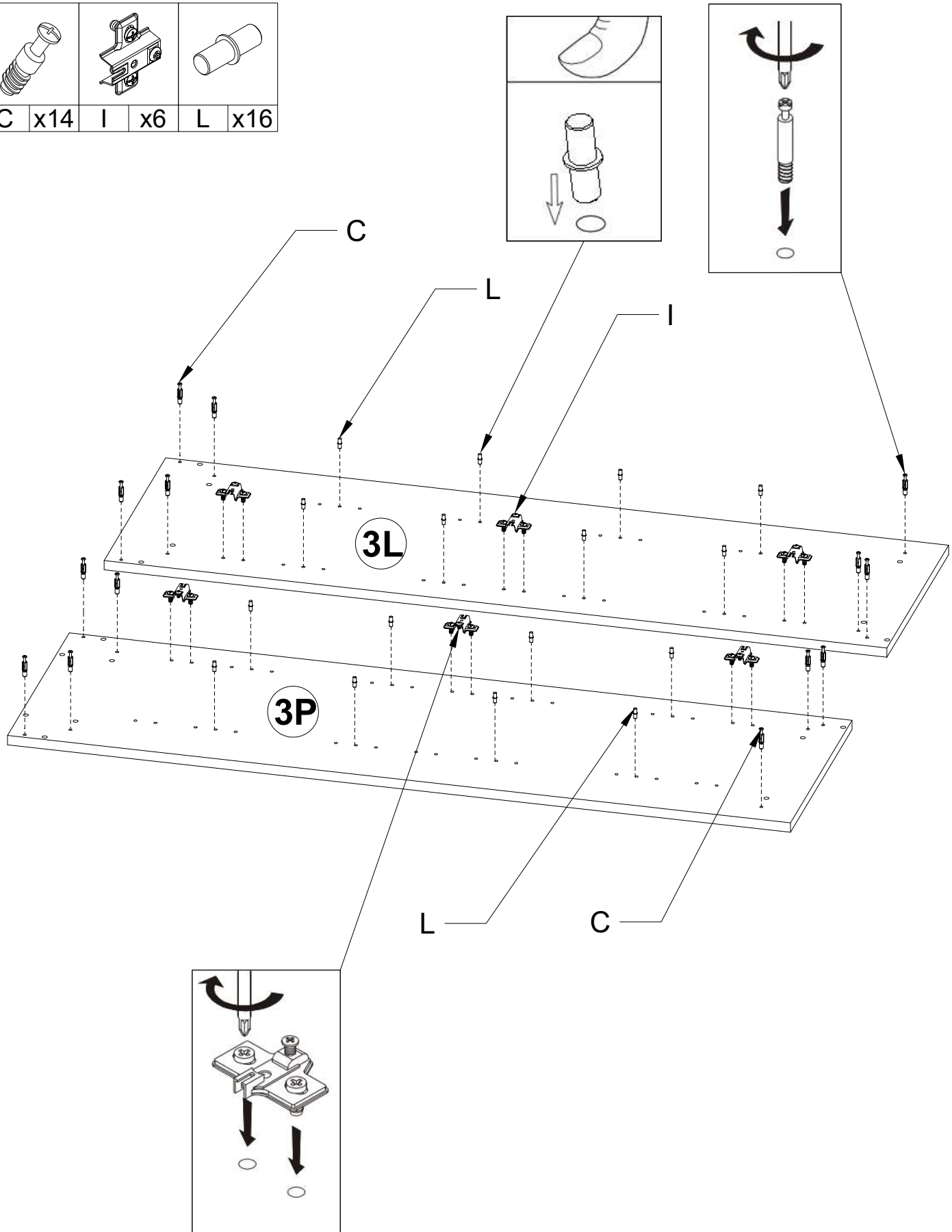
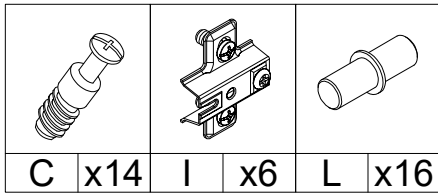


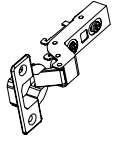

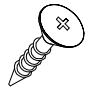
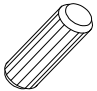
1	810x364x16	x1
2	810x364x16	x1
3L, 3P	380x1250x16	x2
4P, 4T	810x80x16	x2
5	346x64x16	x1
6	810x50x16	x1
7	1120x417,5x3	x1
8	1120x417,5x3	x1
9P, 9T	1118x401x16	x2
10	346x415x16	x1
11	809x360x16	x4

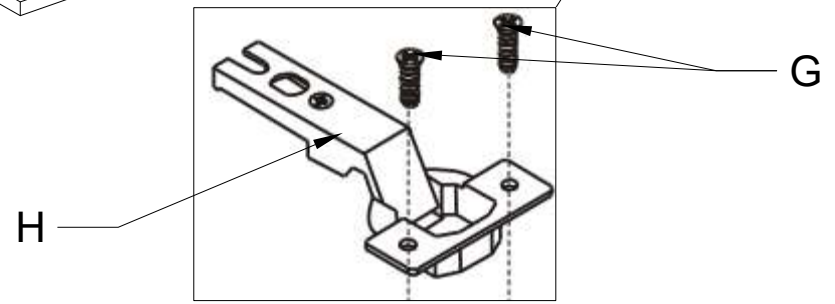
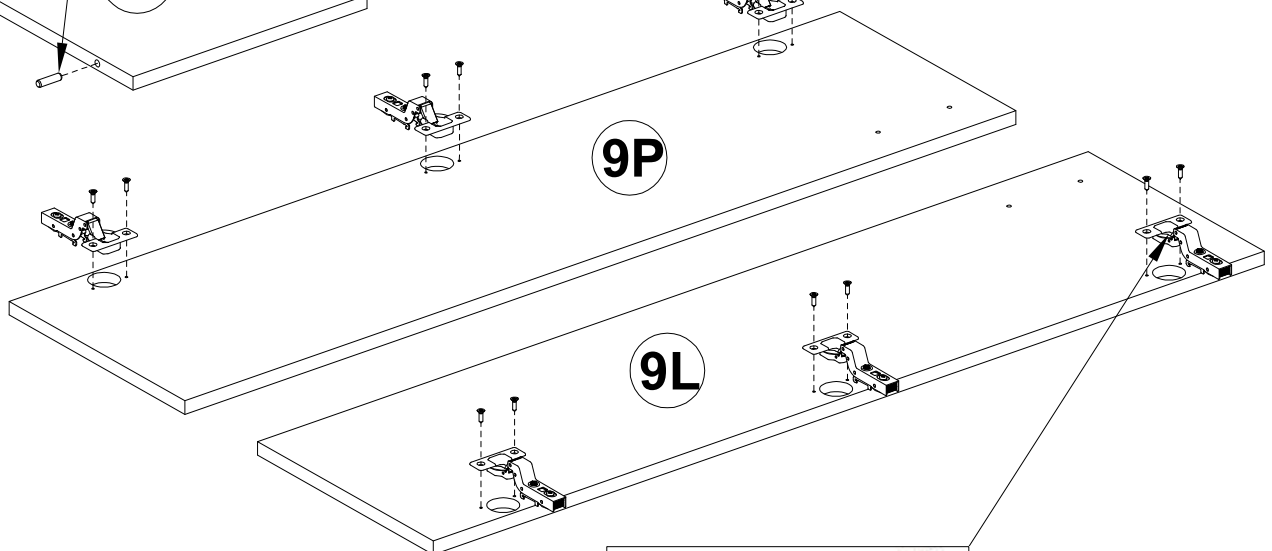
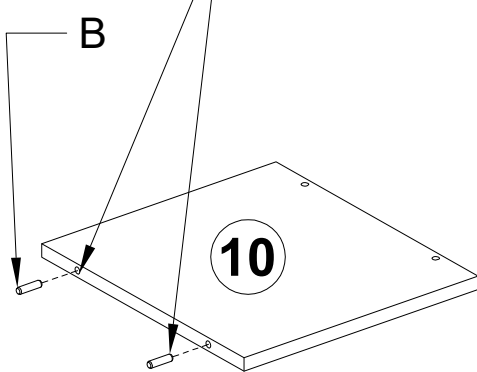
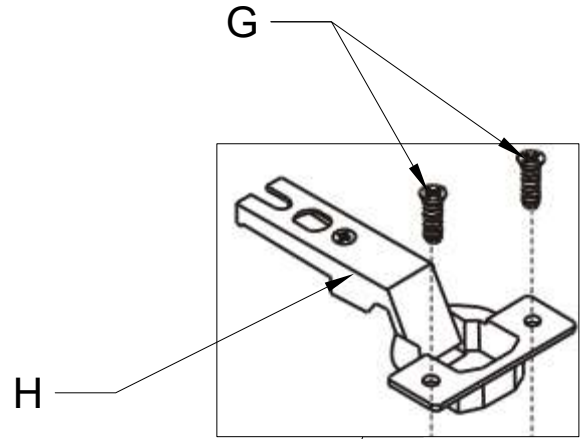
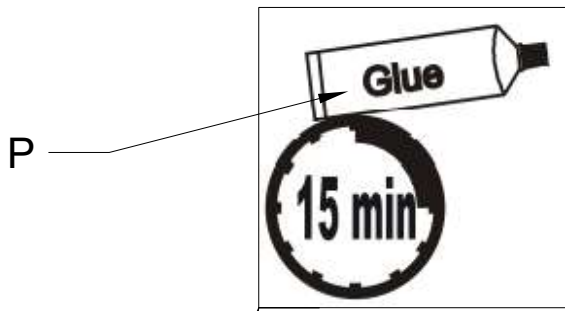



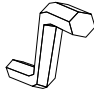

Ø15/12mm	Ø8x35mm		
			
A x16	B x16	C x2	P x1

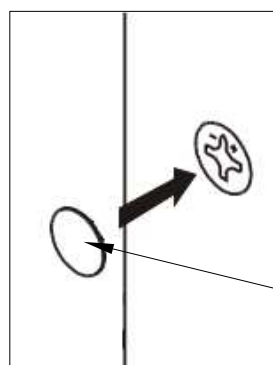
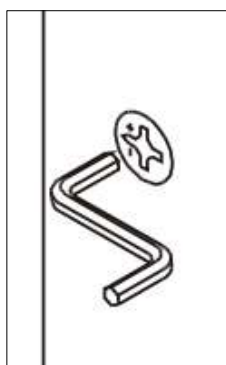
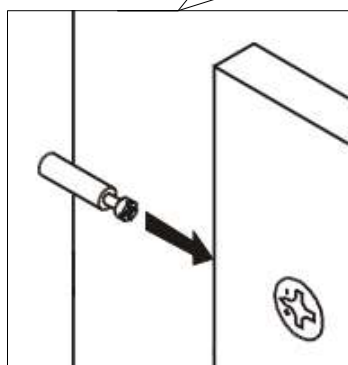
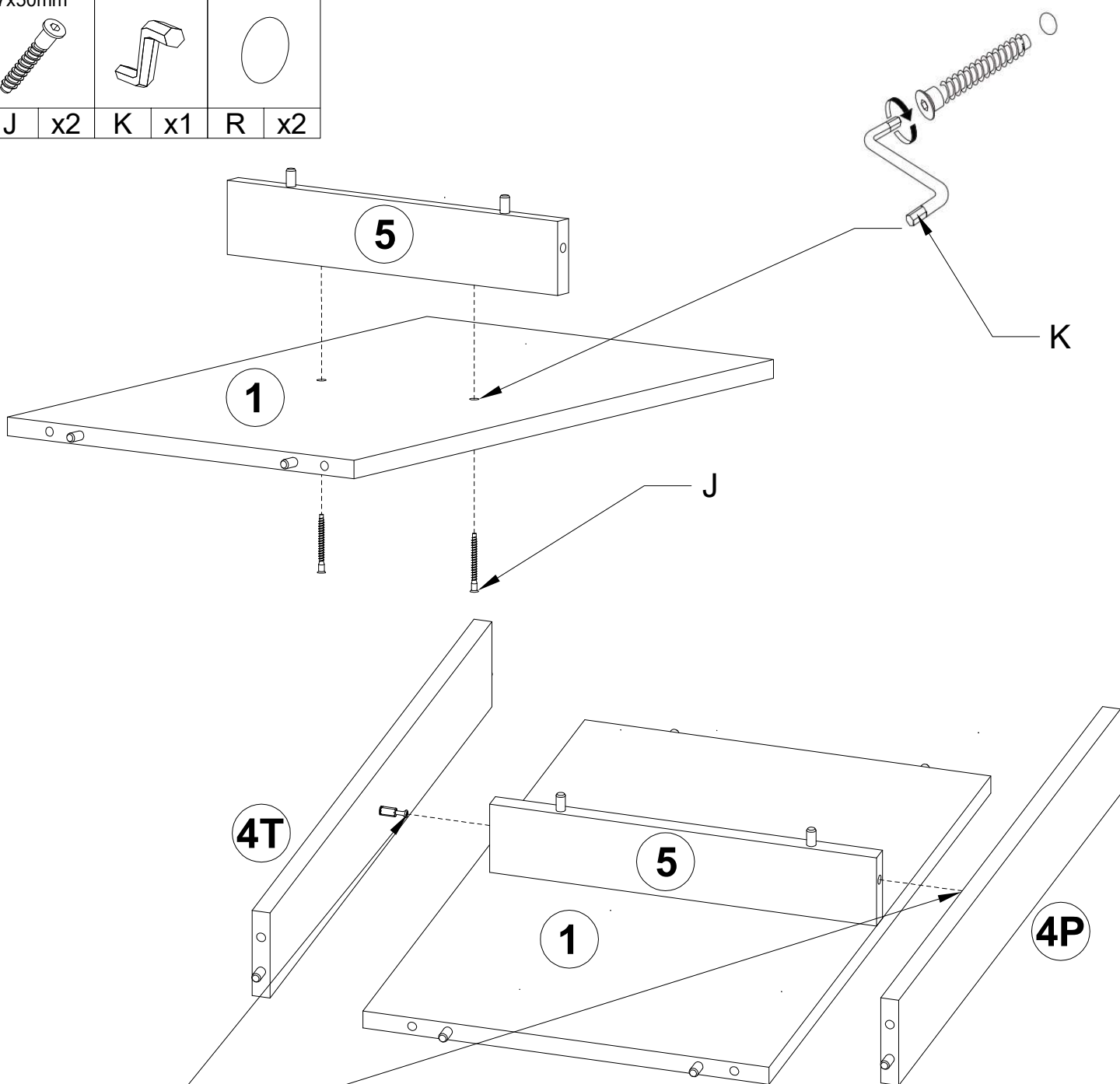




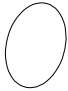
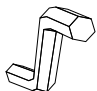
			
H x6	P x1	Ø4x13mm G x12	Ø8x35mm B x2

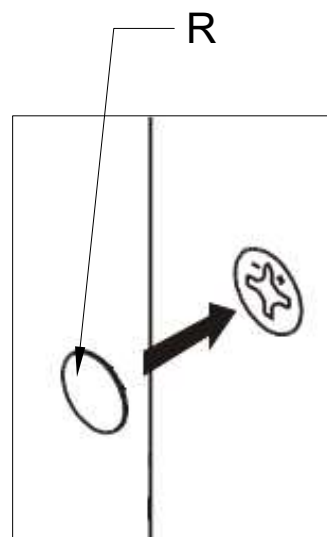
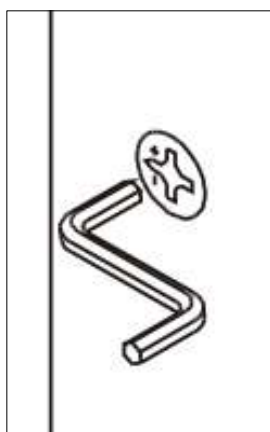
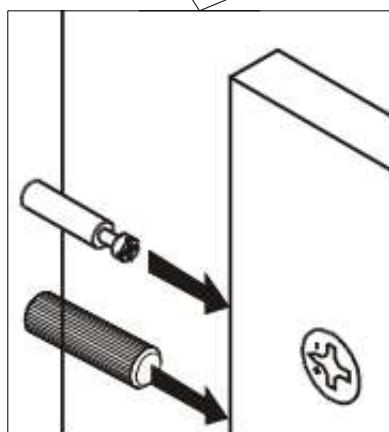
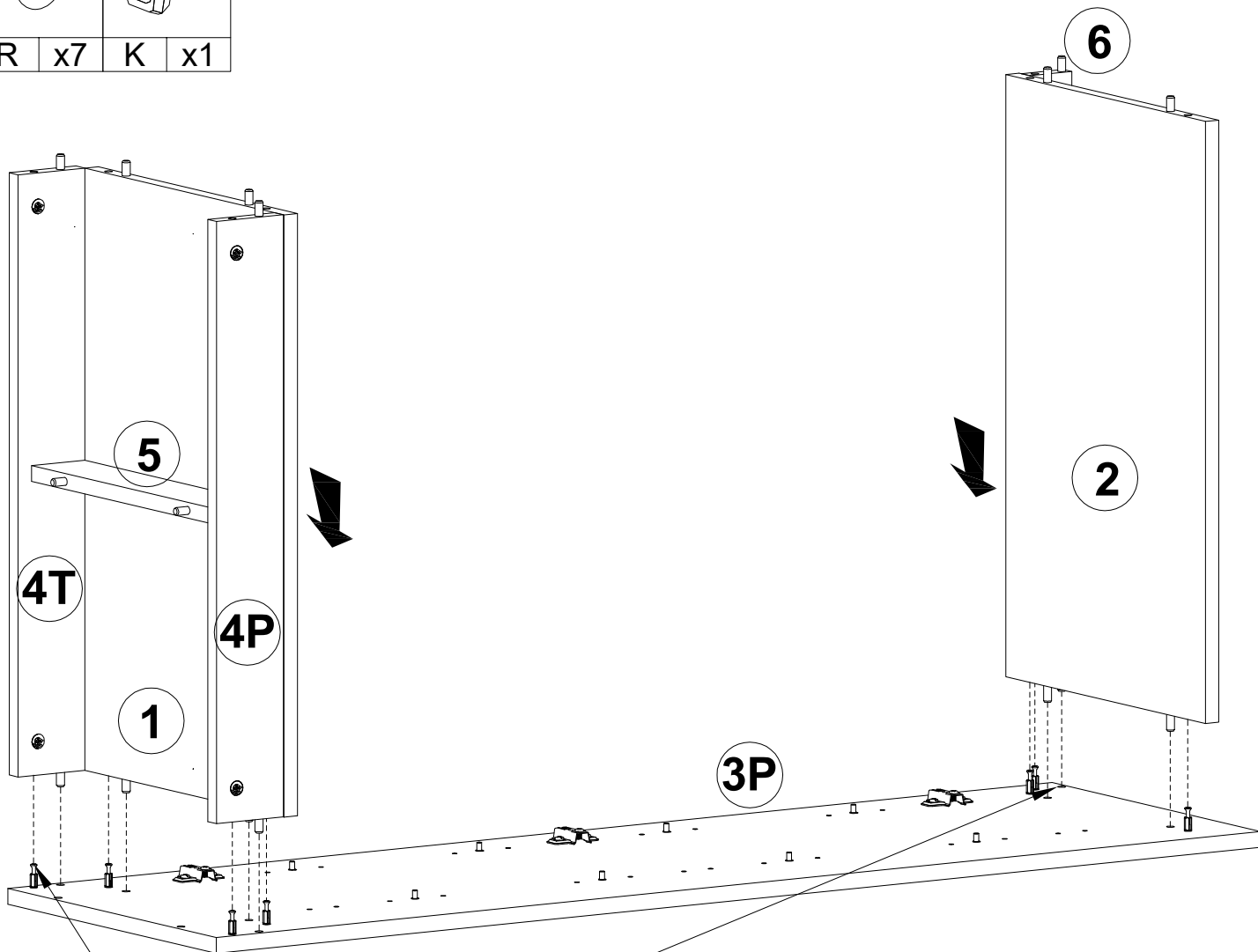


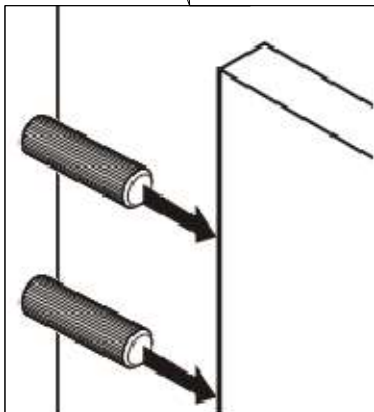
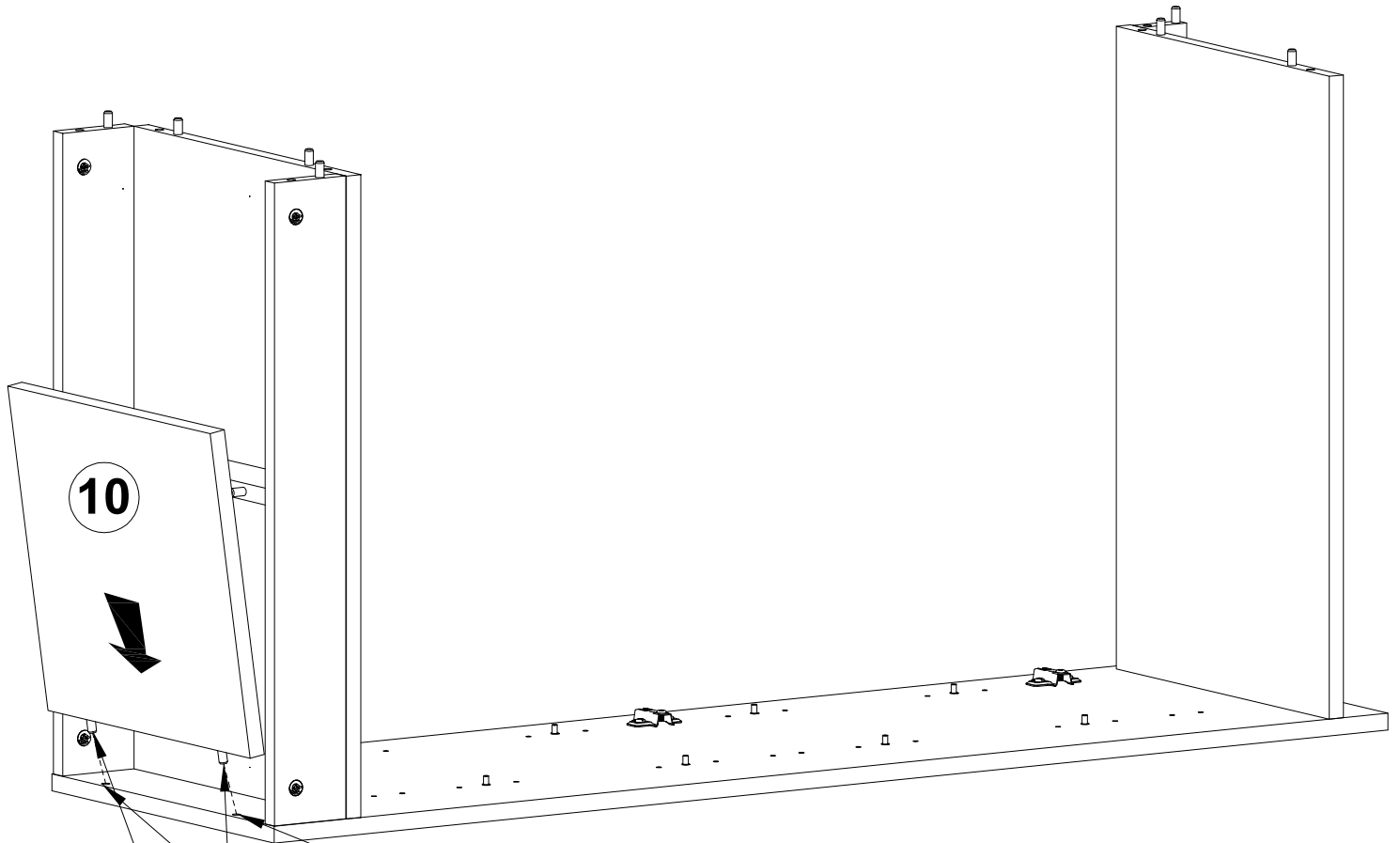
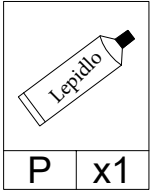
Ø7x50mm					
					
J	x2	K	x1	R	x2



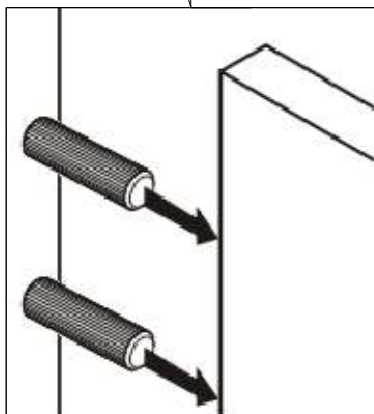
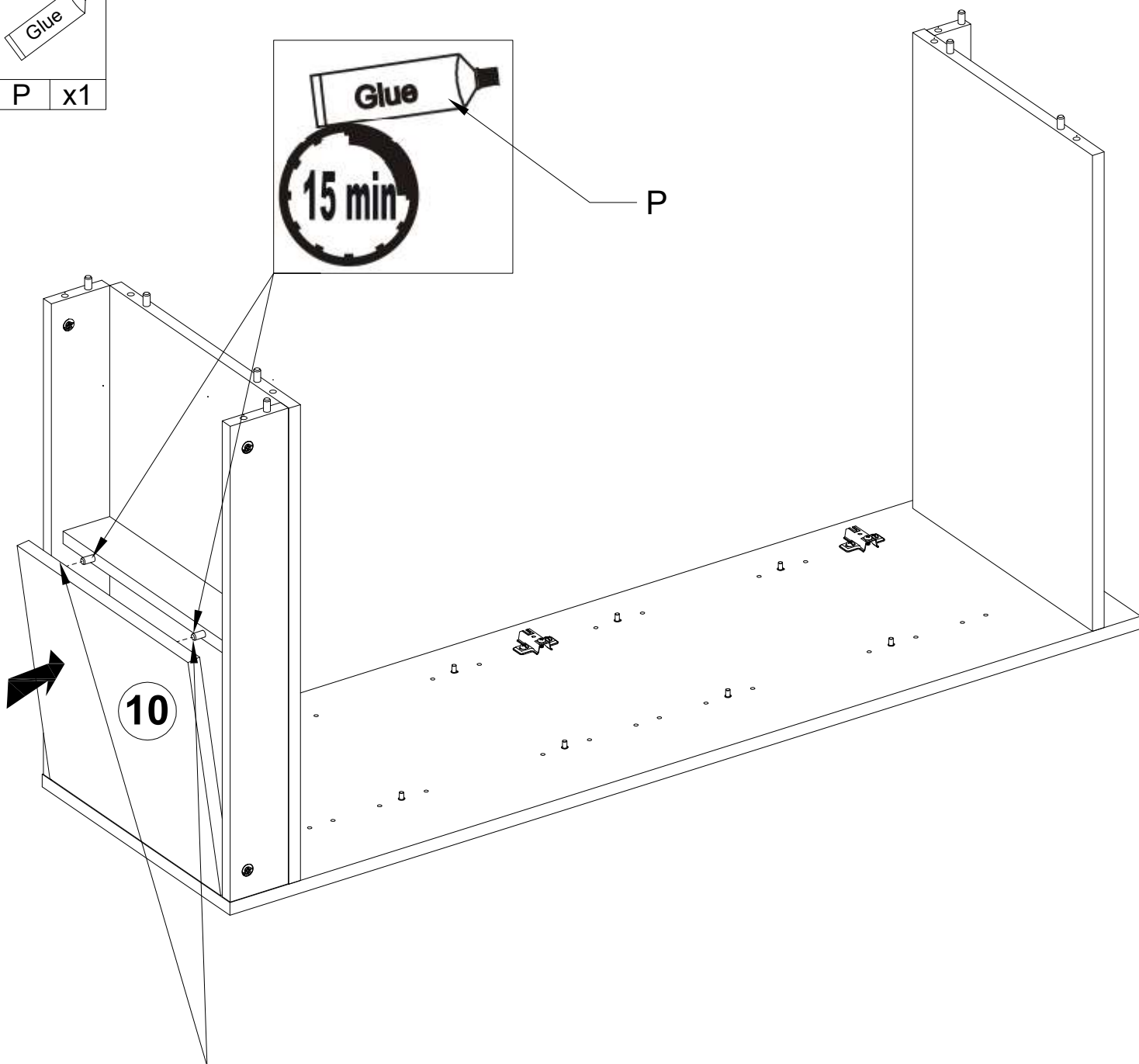
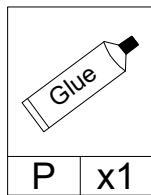
R

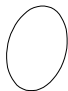
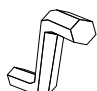
	
R x7	K x1

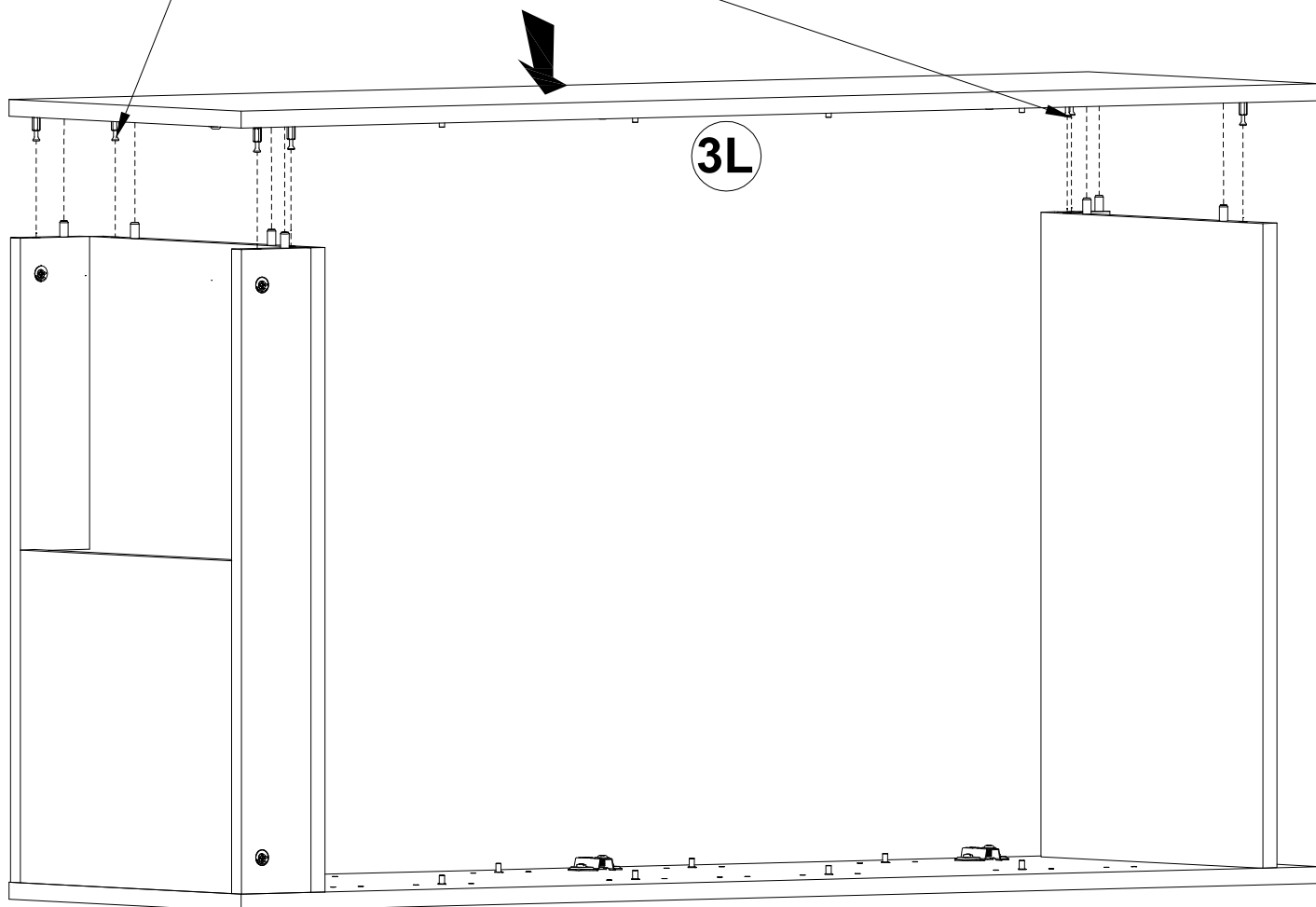
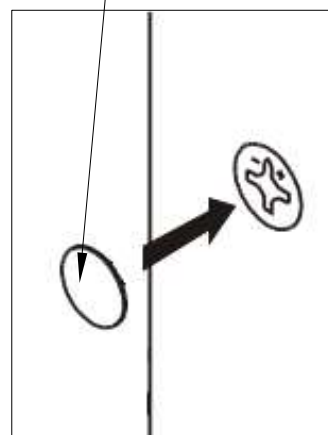
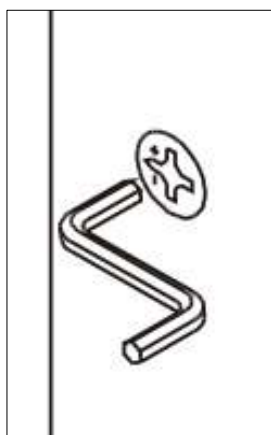
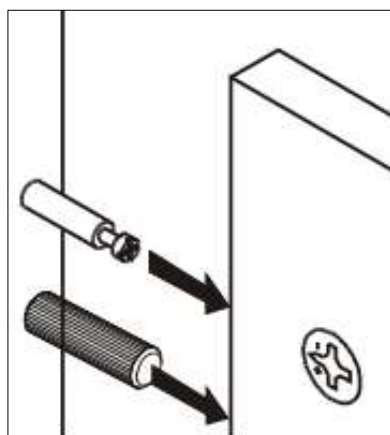


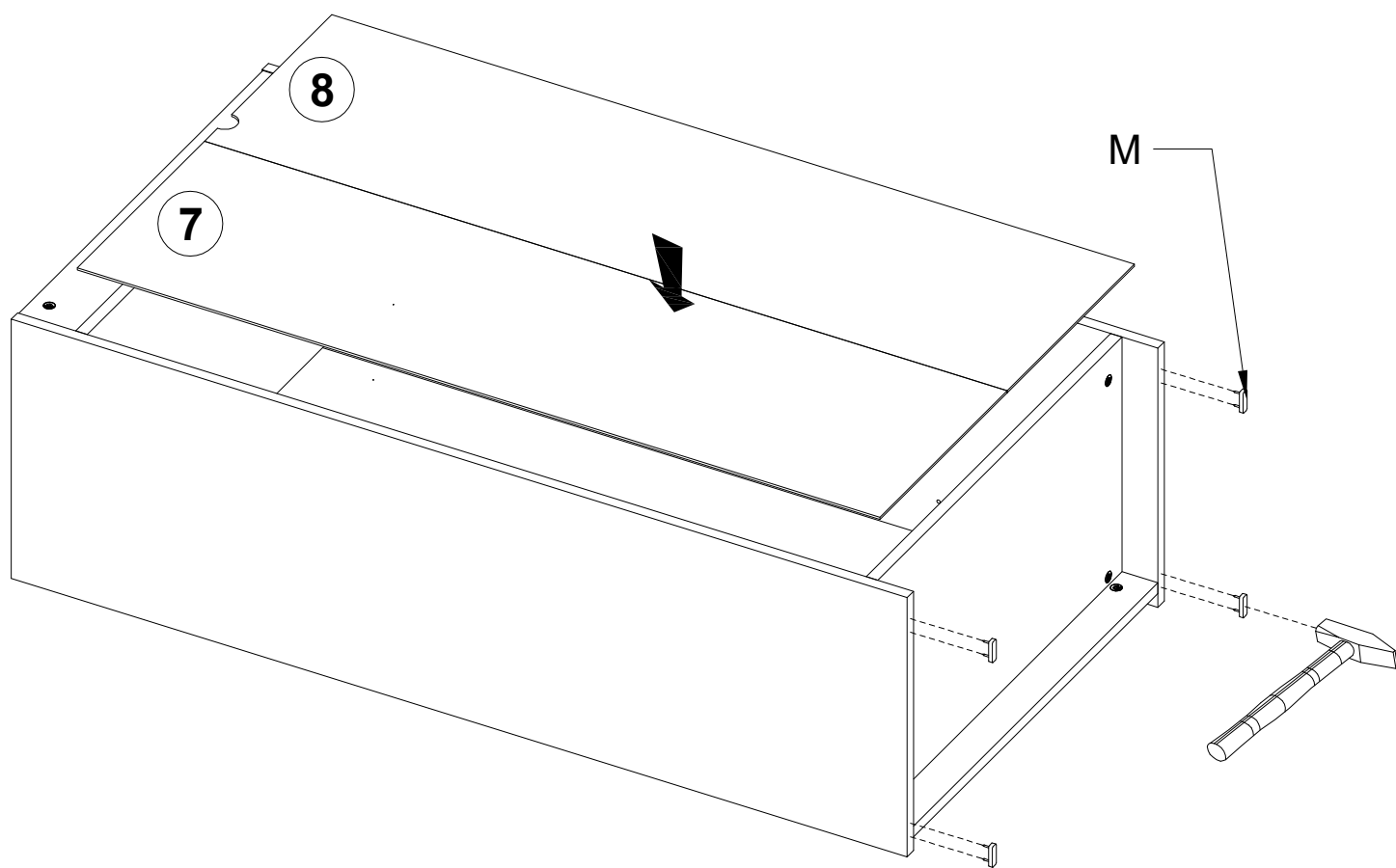
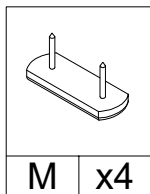


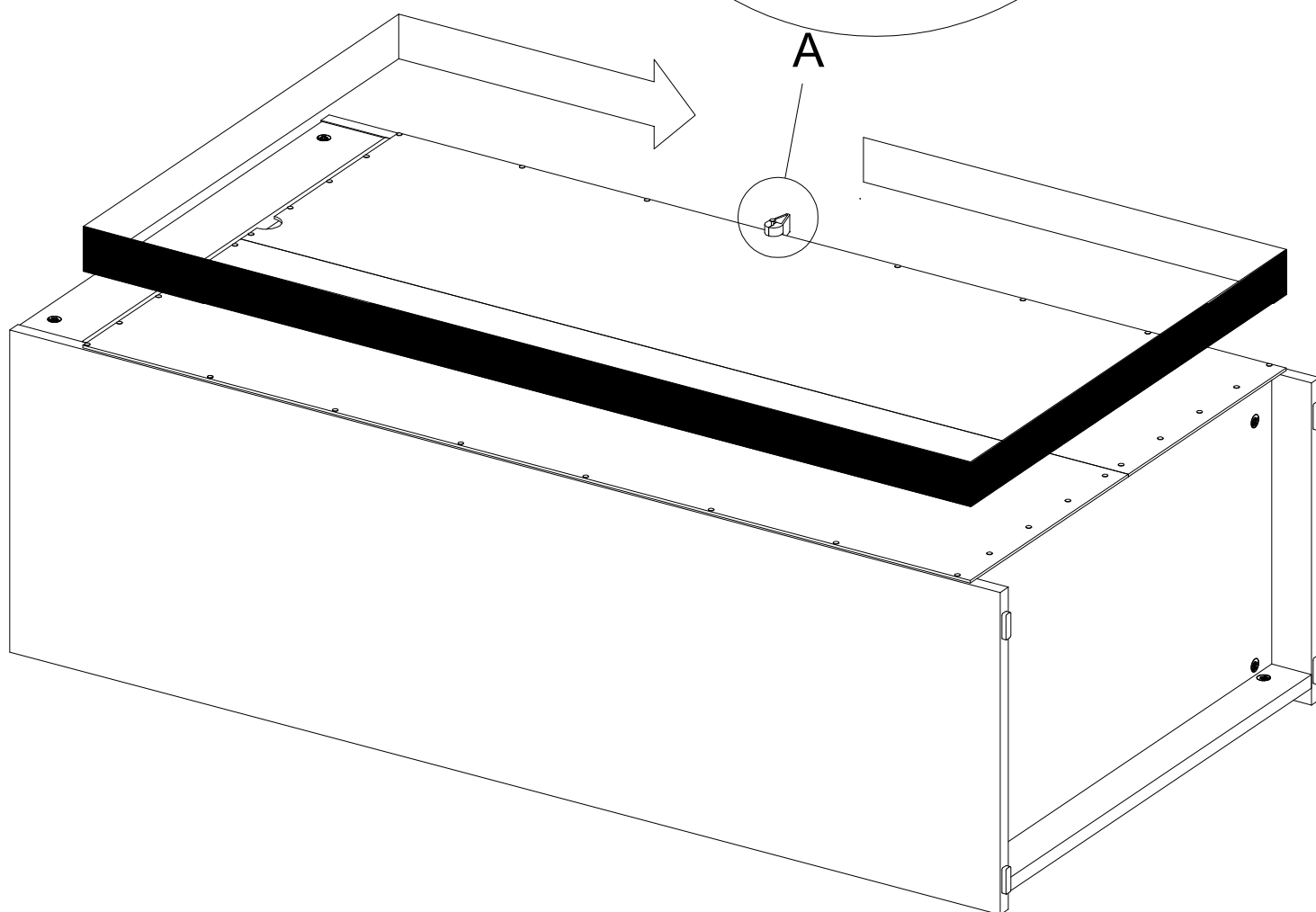
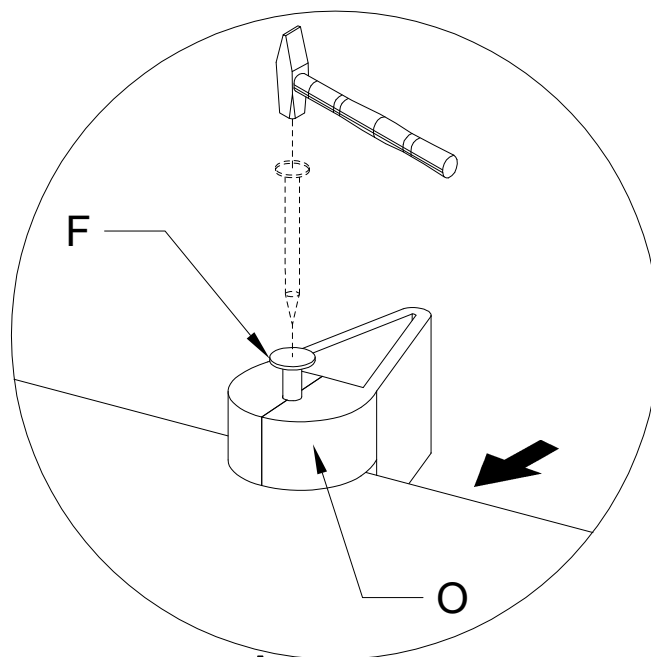
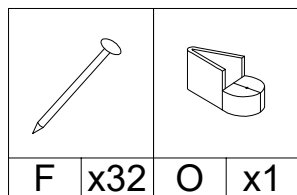
P

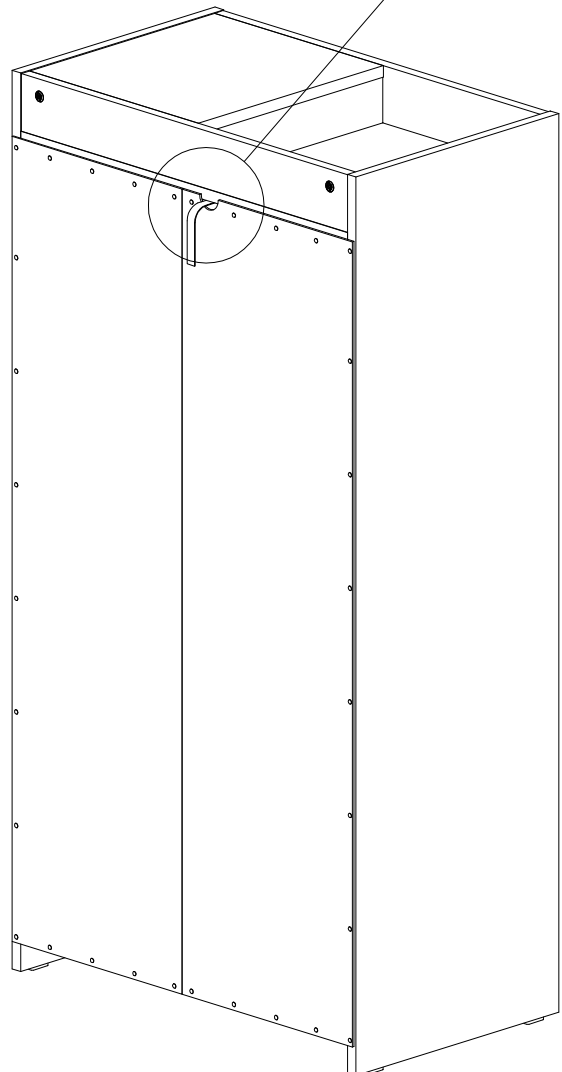
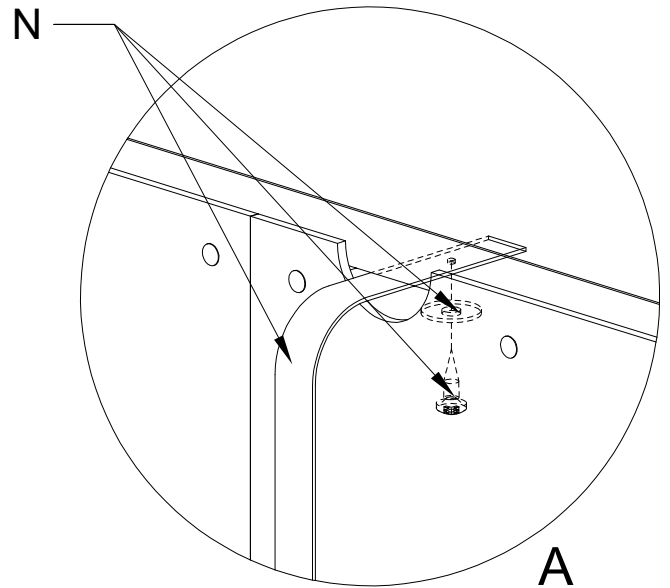
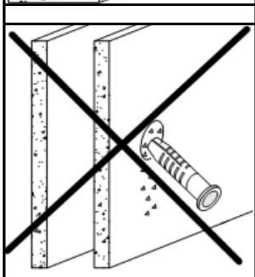
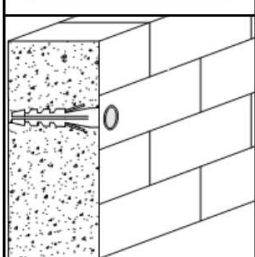
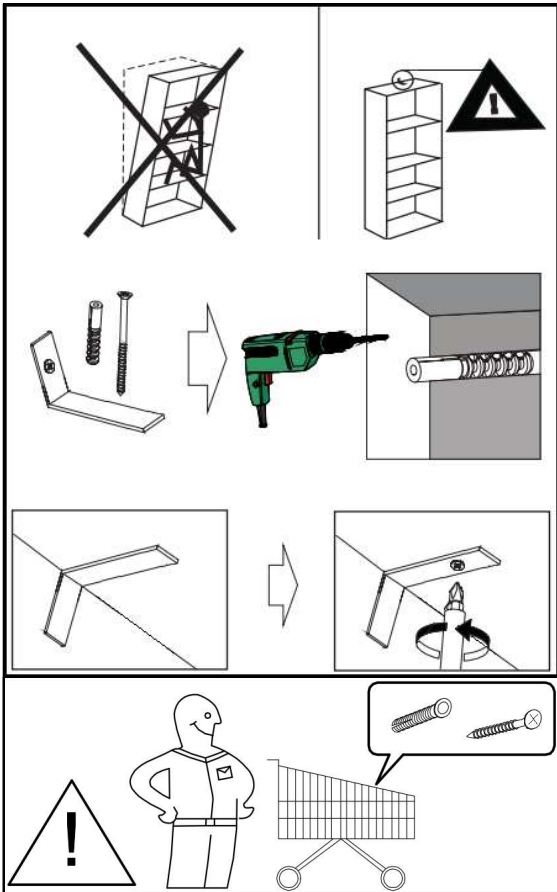
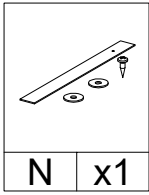


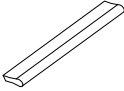

	
R x7	K x1









L-115 mm	Ø3,5x25mm		
			
D	x2	E	x4

