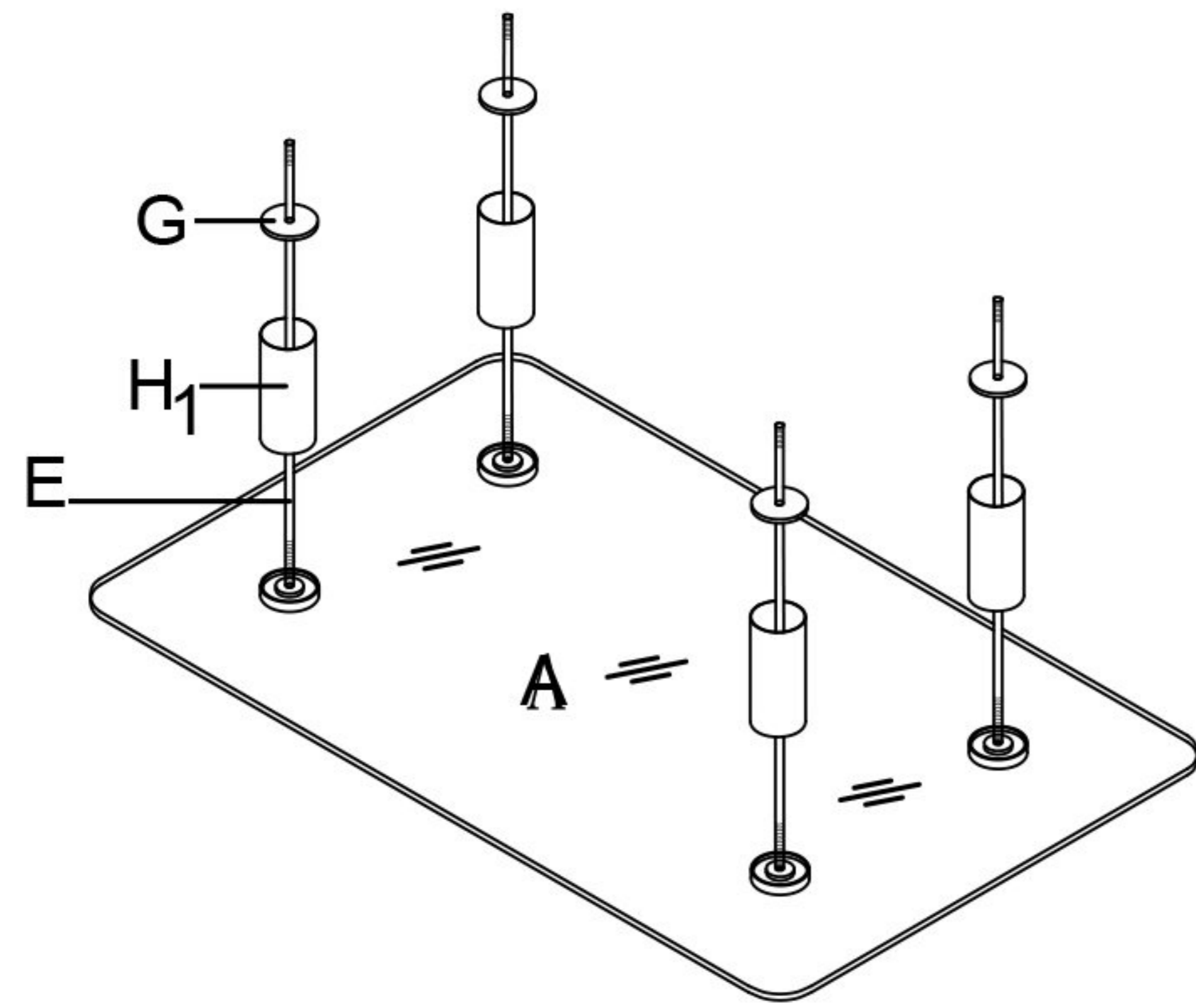
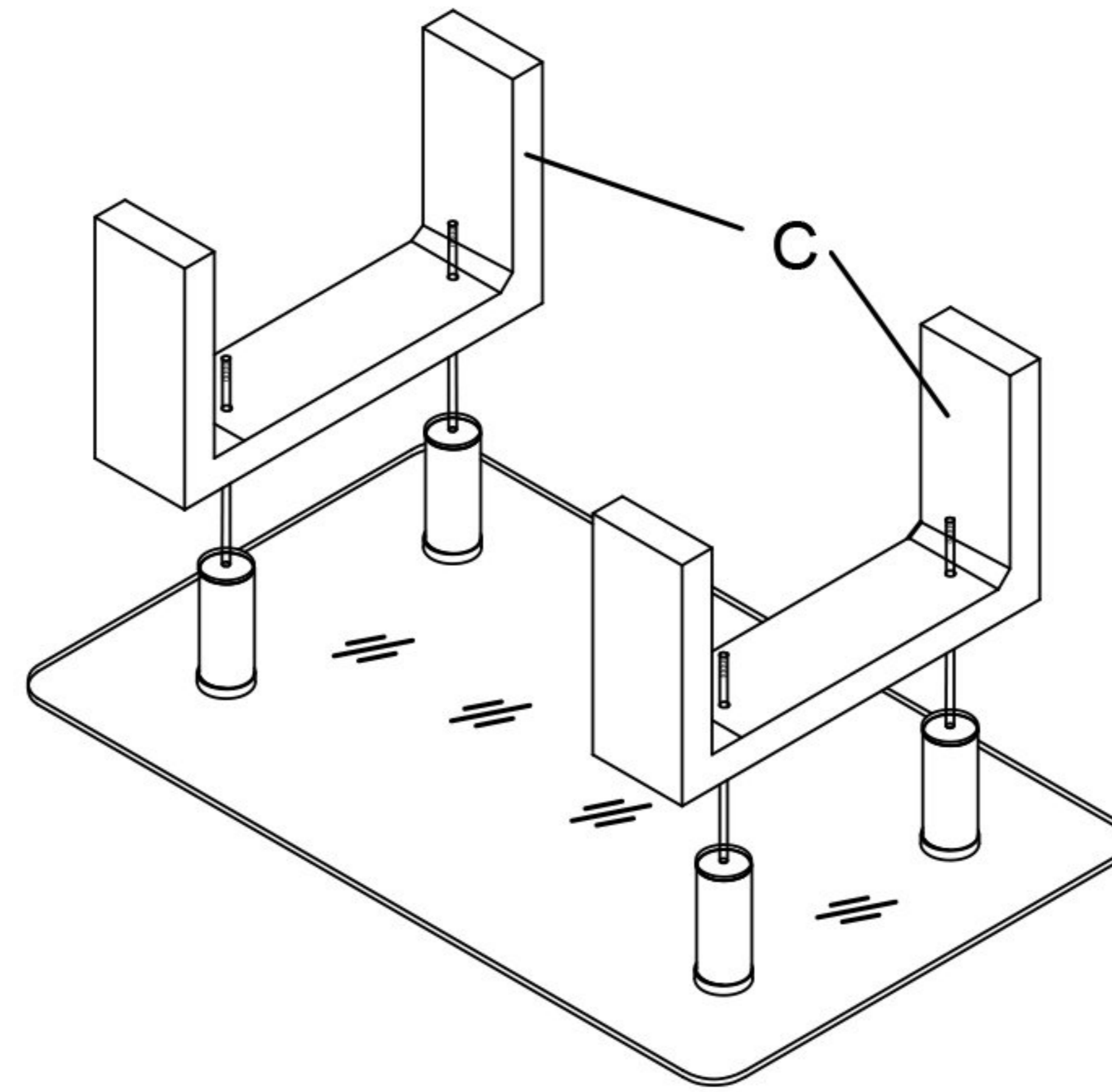


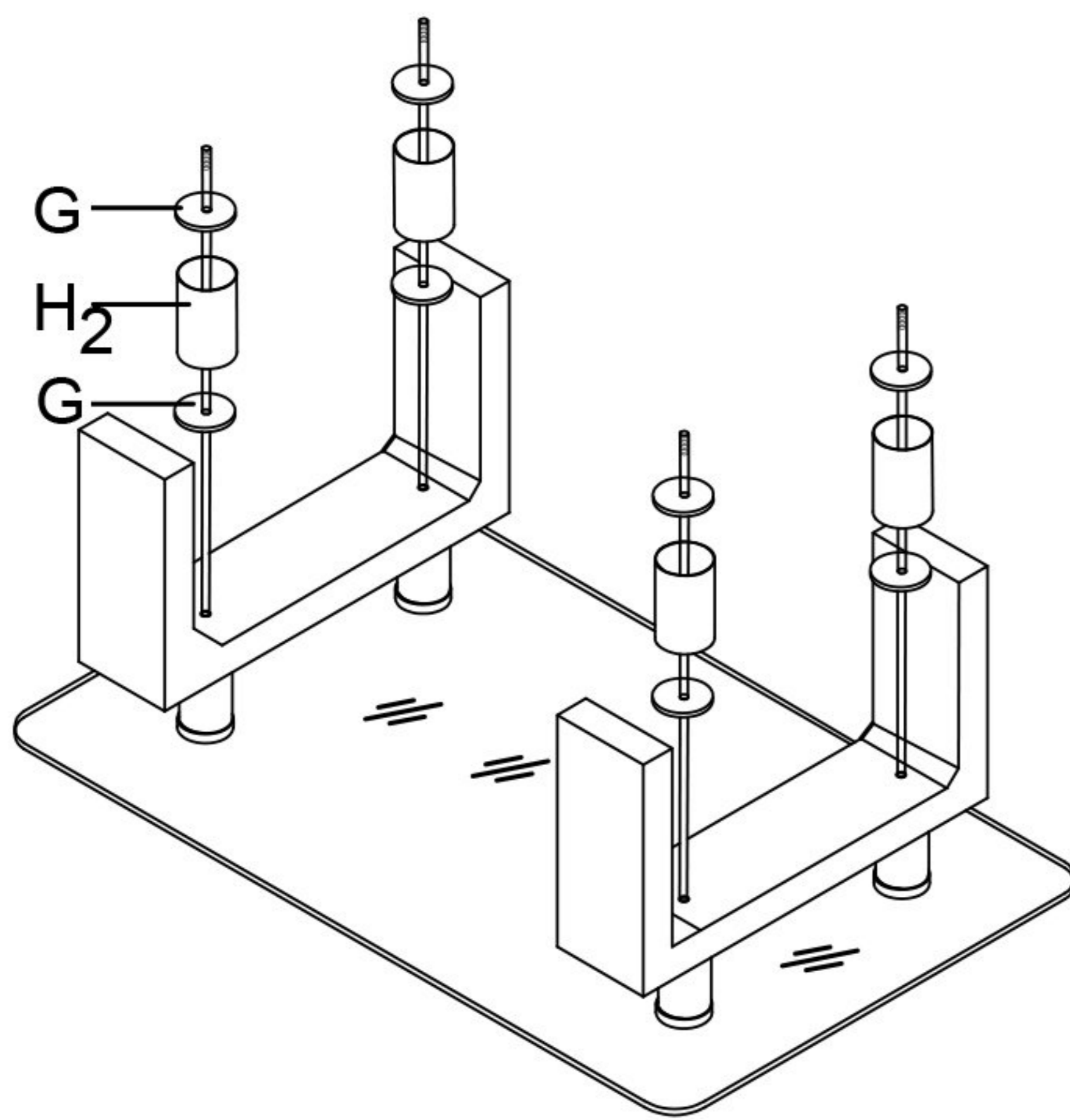
1



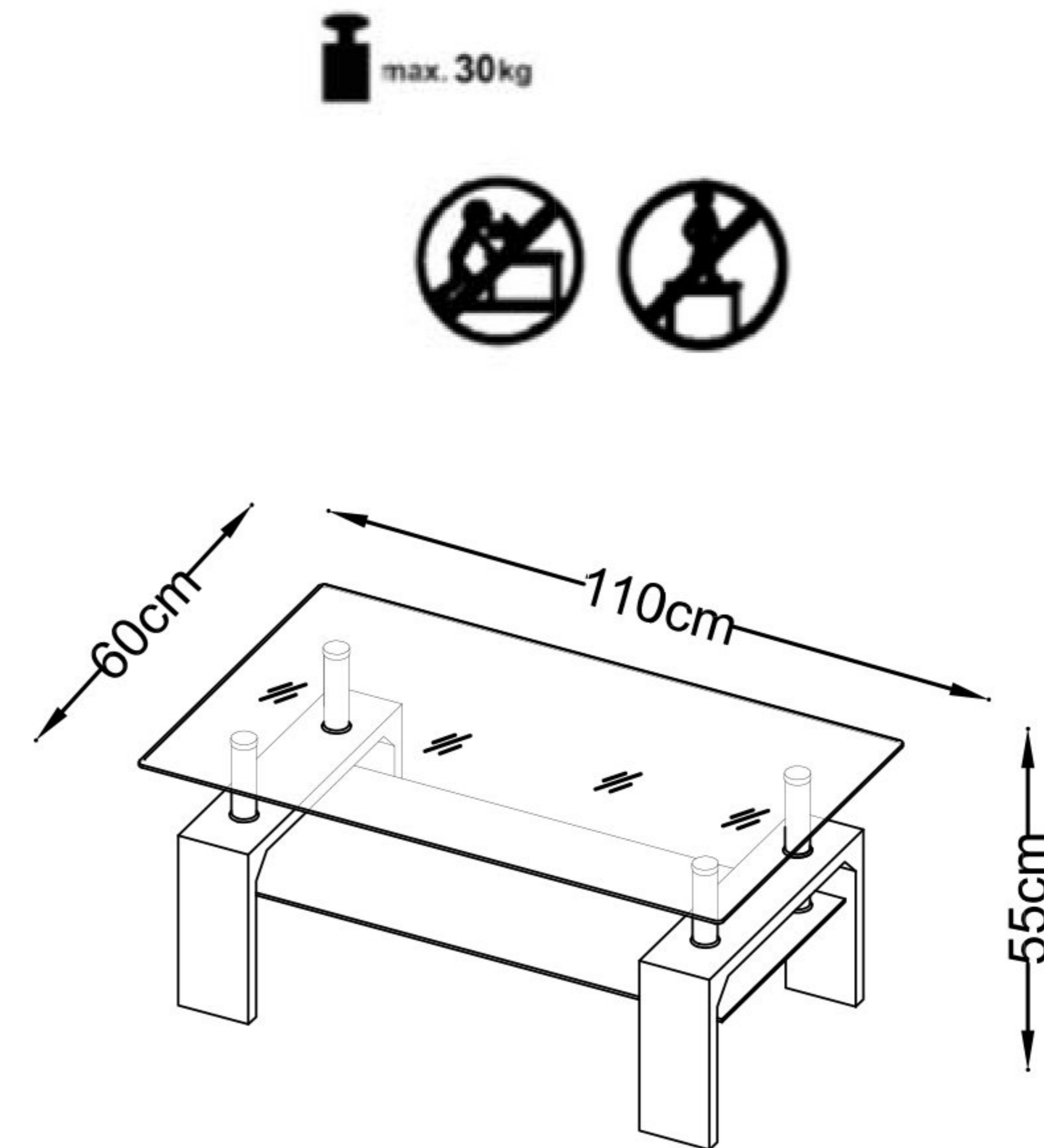
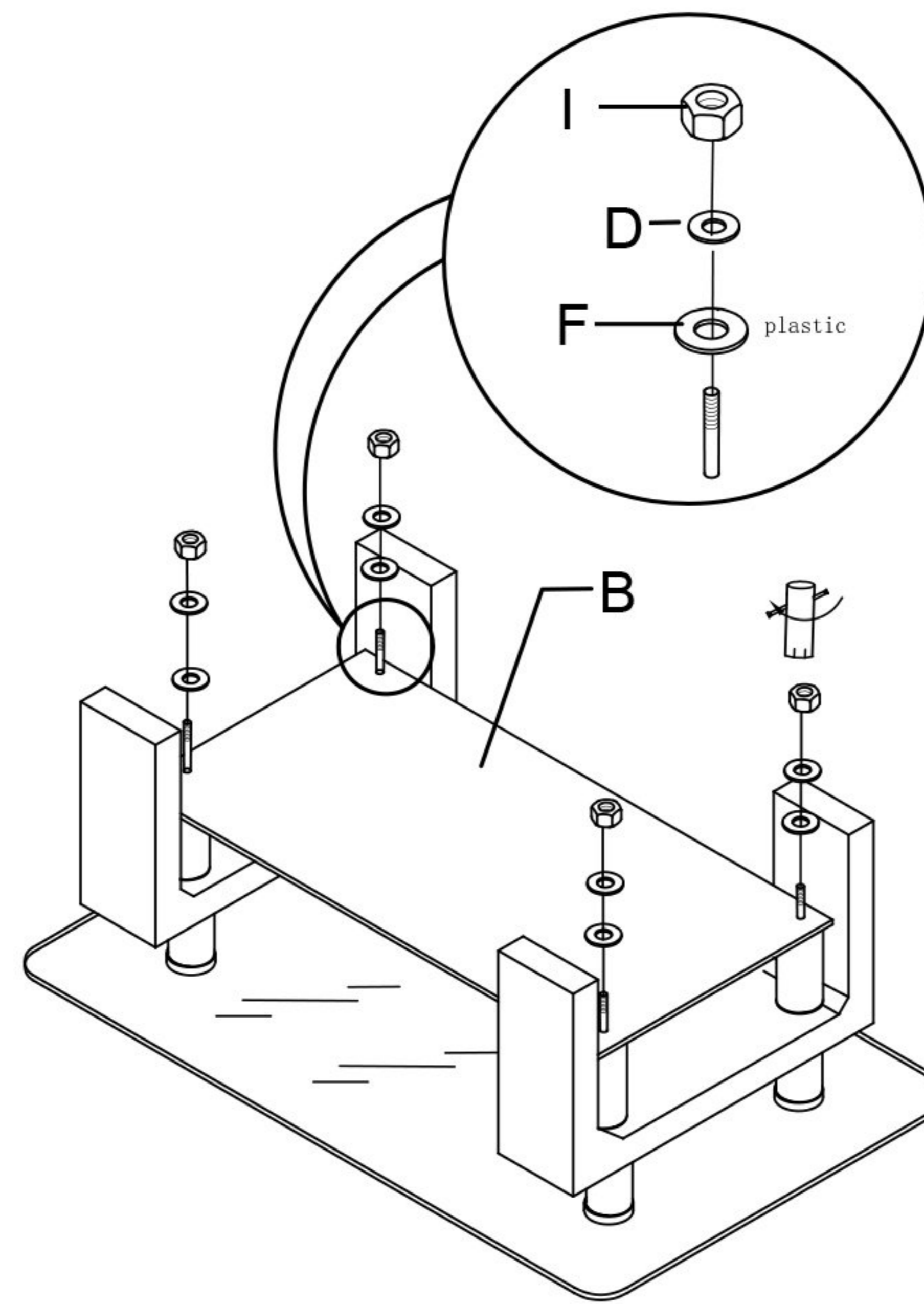
2



3



4



A		X1
B		X1
C		X2
D	 Ø8xØ16	X4
E	 M8x270	X4
F	Plastic M8	X4
G		X12
H ₁	 Ø50x120	X4
H ₂	 Ø50x100	X4
I	 M8	X4