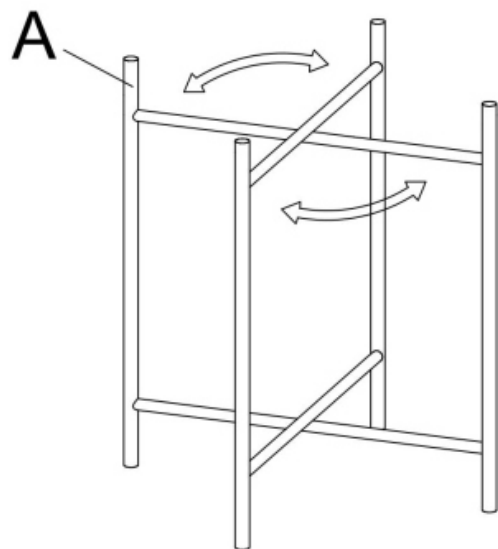


X1

(1)

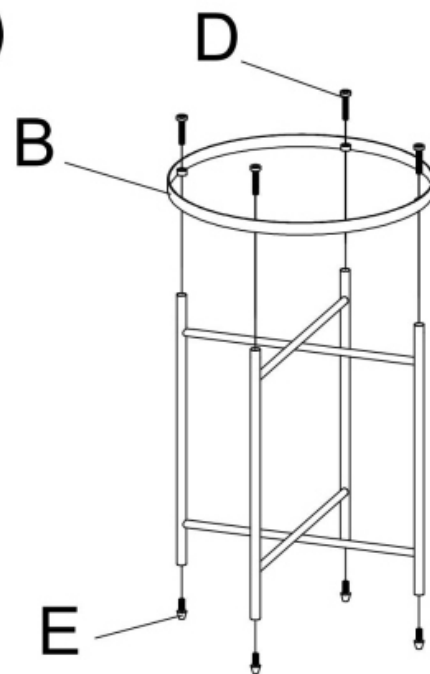


B



X1

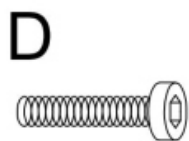
(2)



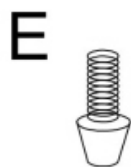
C



X1

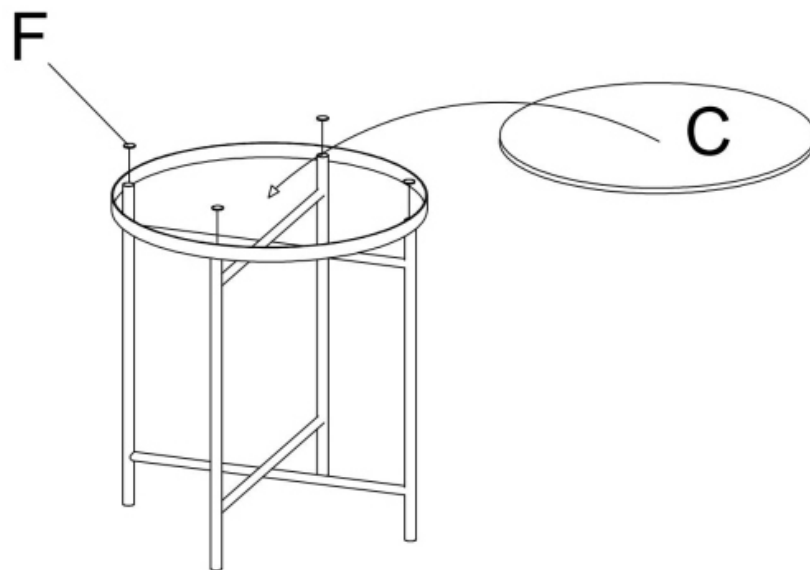


X4



X4

(3)



F



X4

G



X1