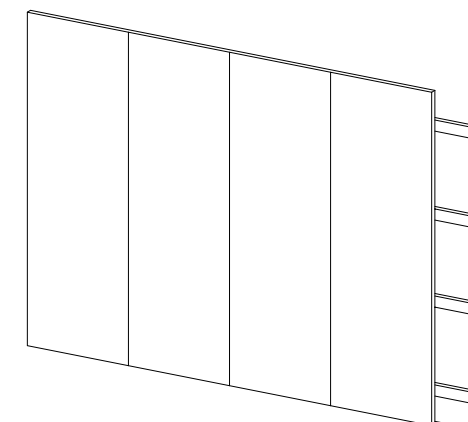
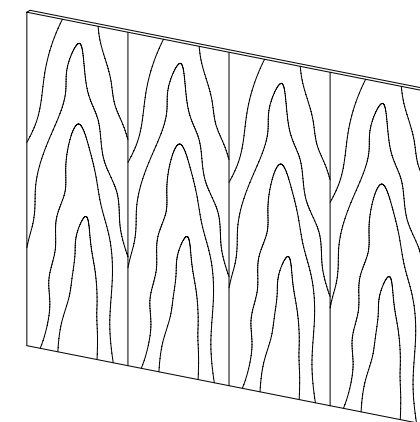
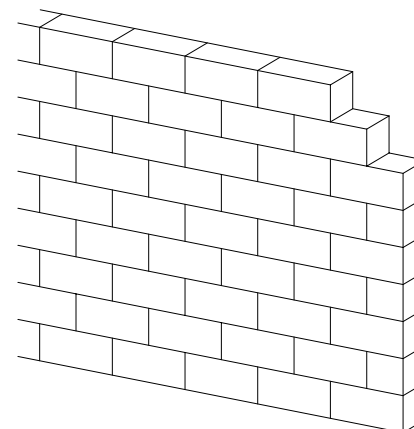
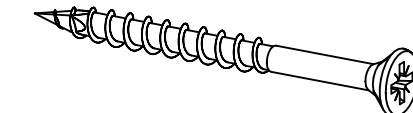
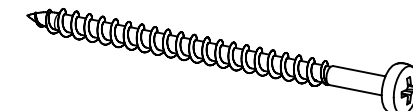
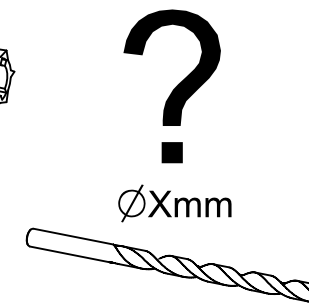
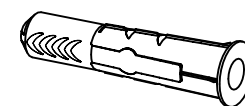
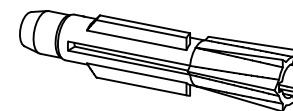
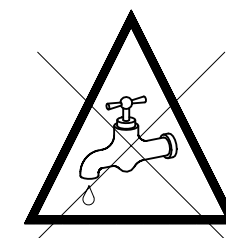
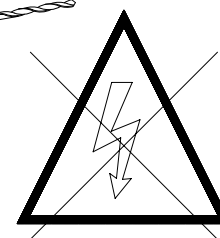
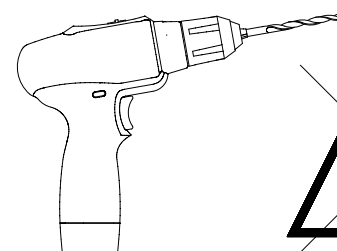
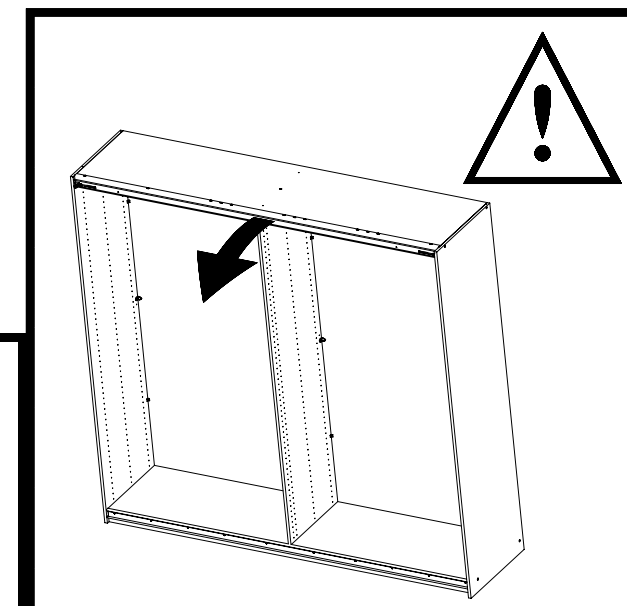
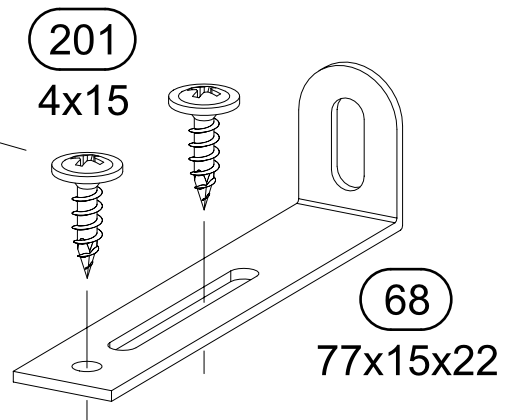
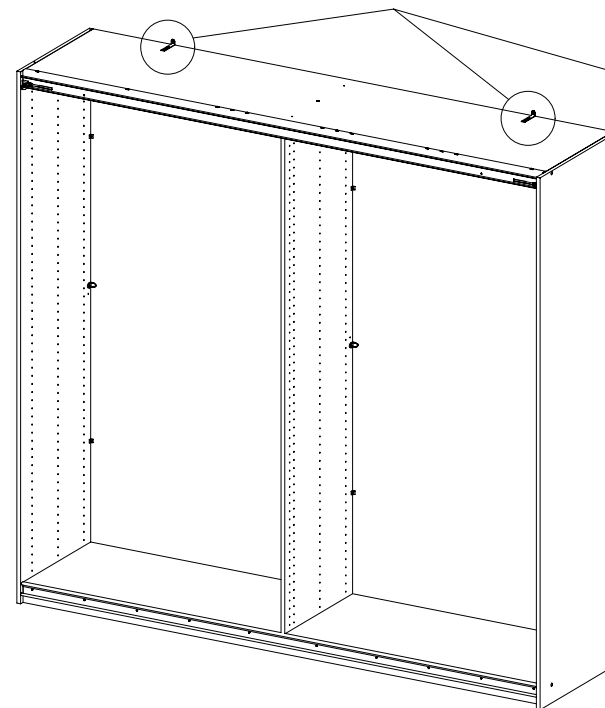
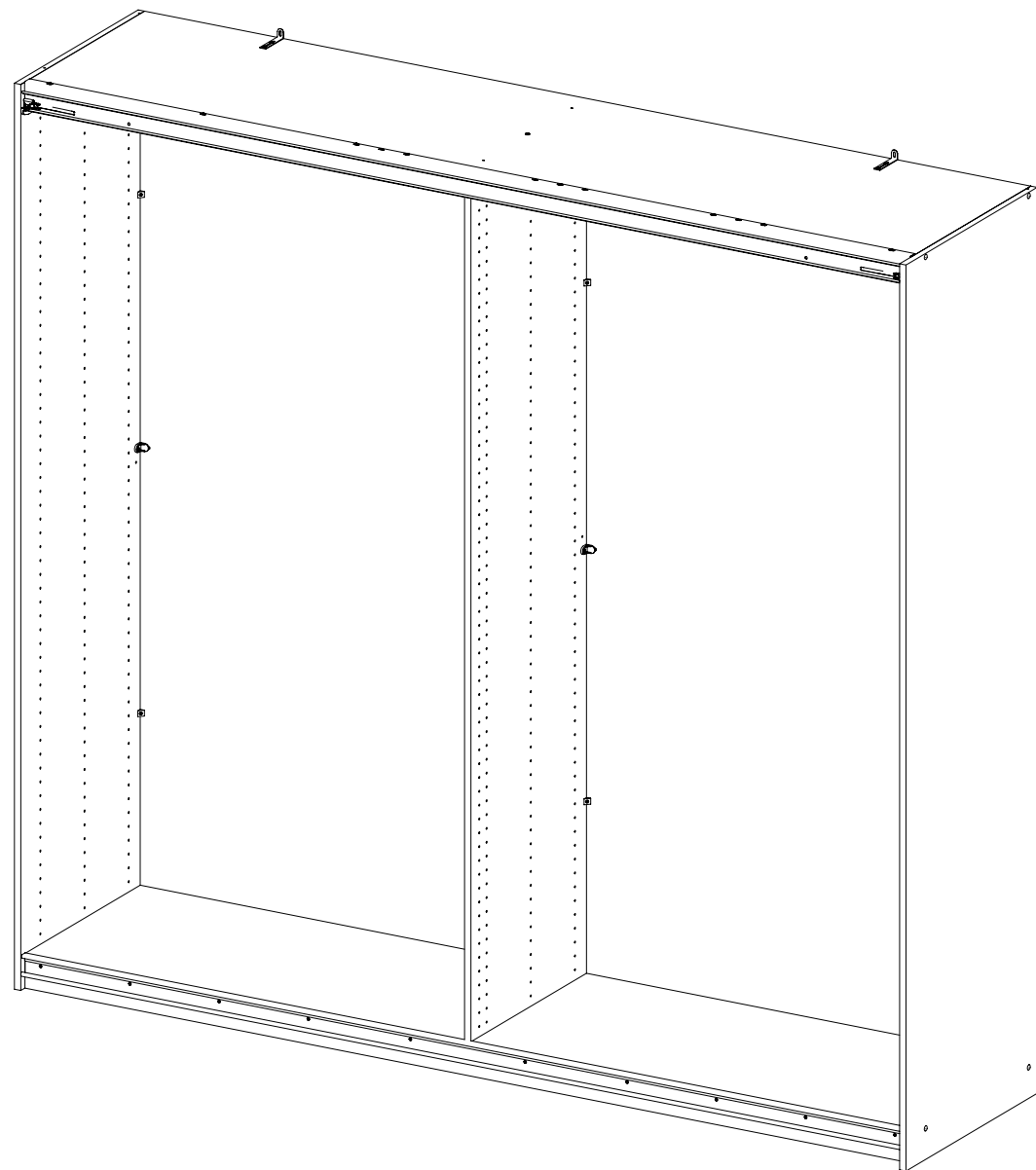
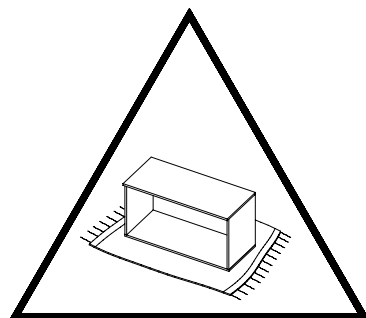
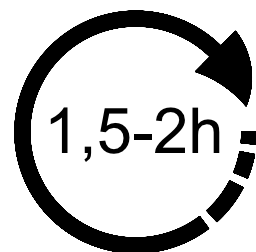
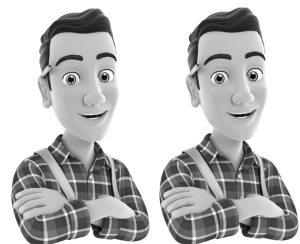
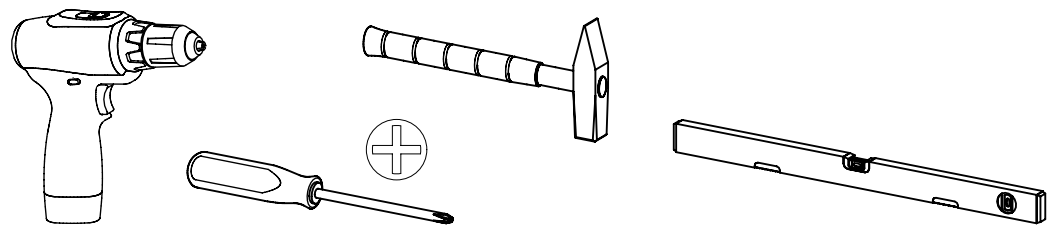
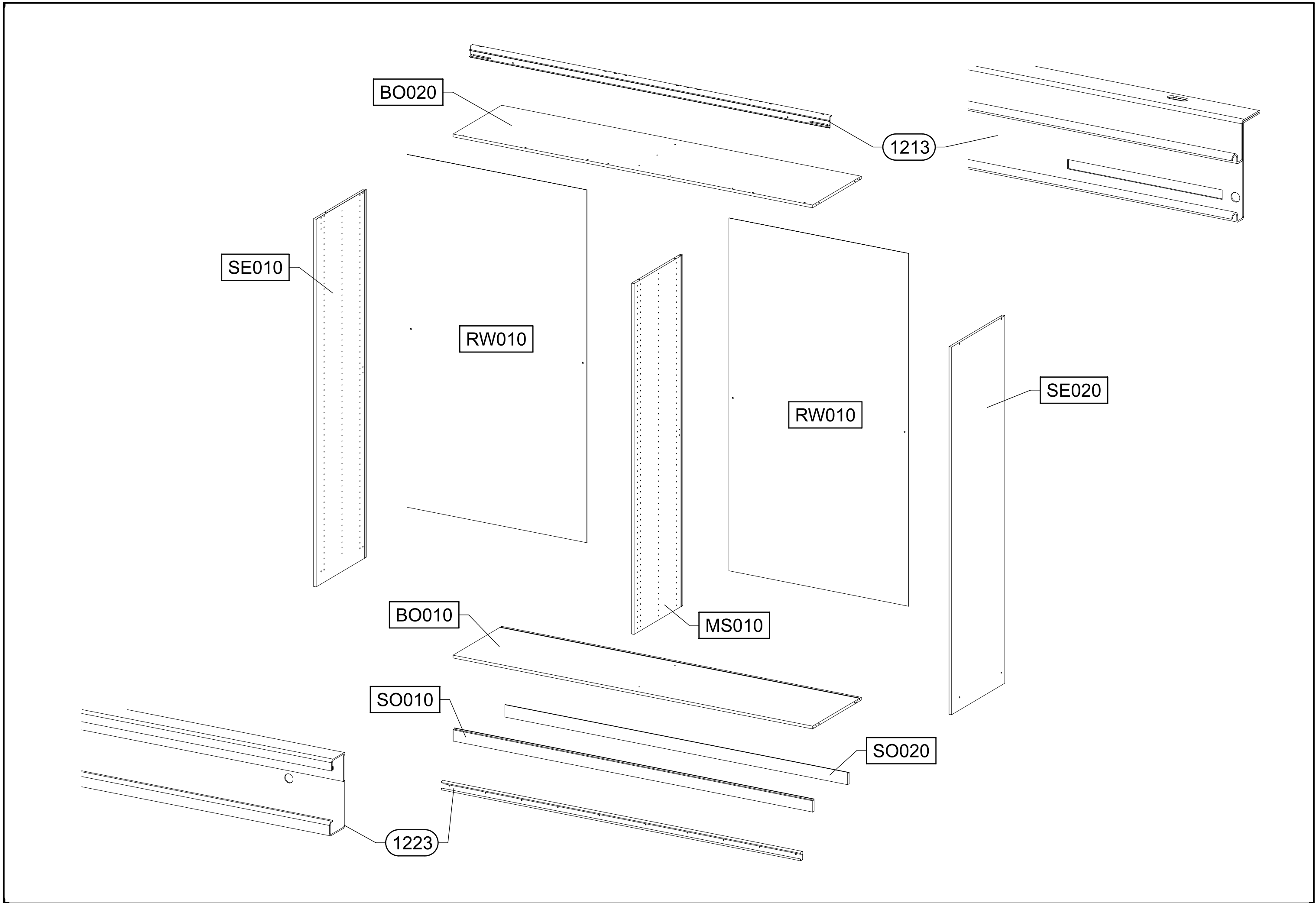
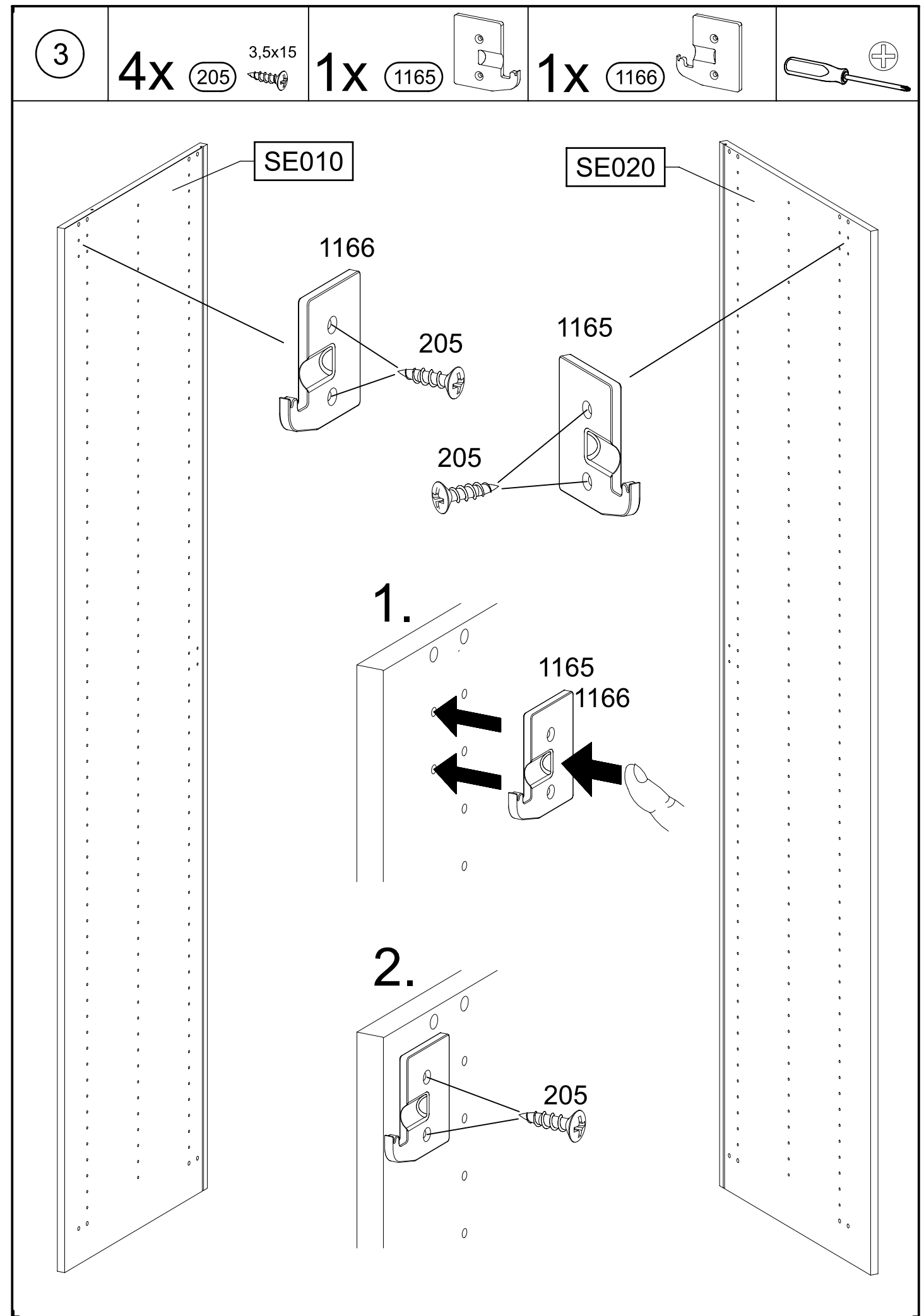
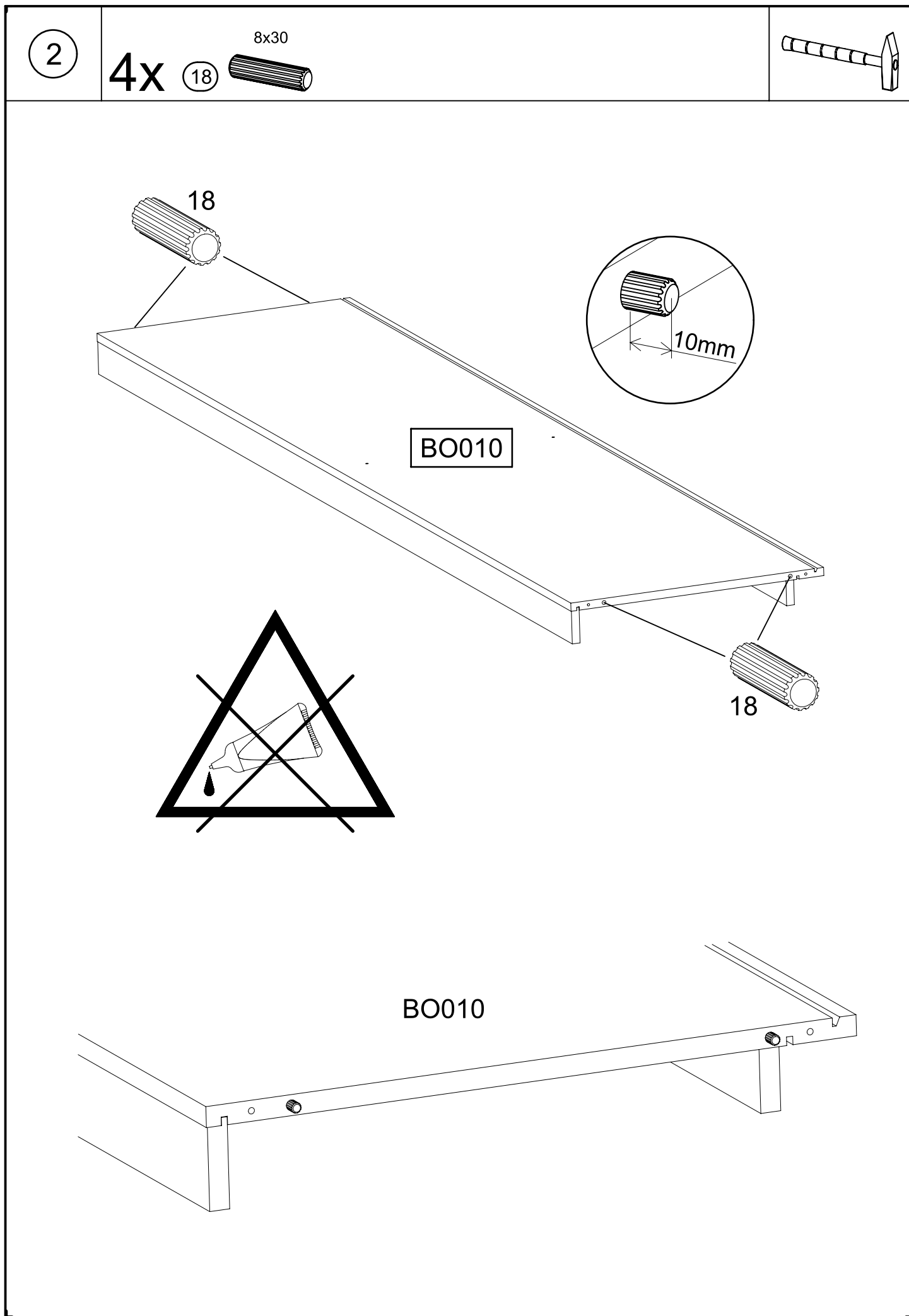


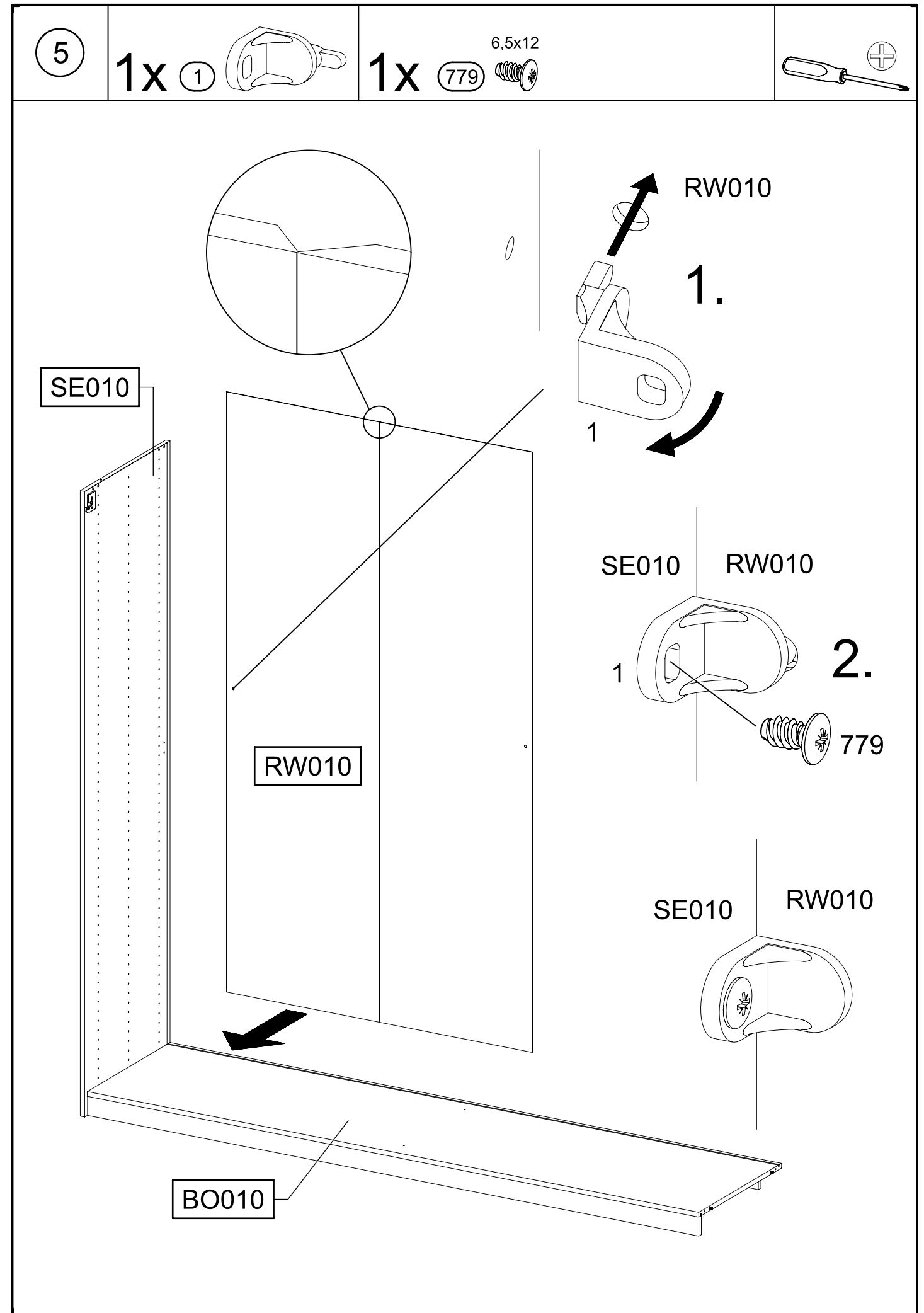
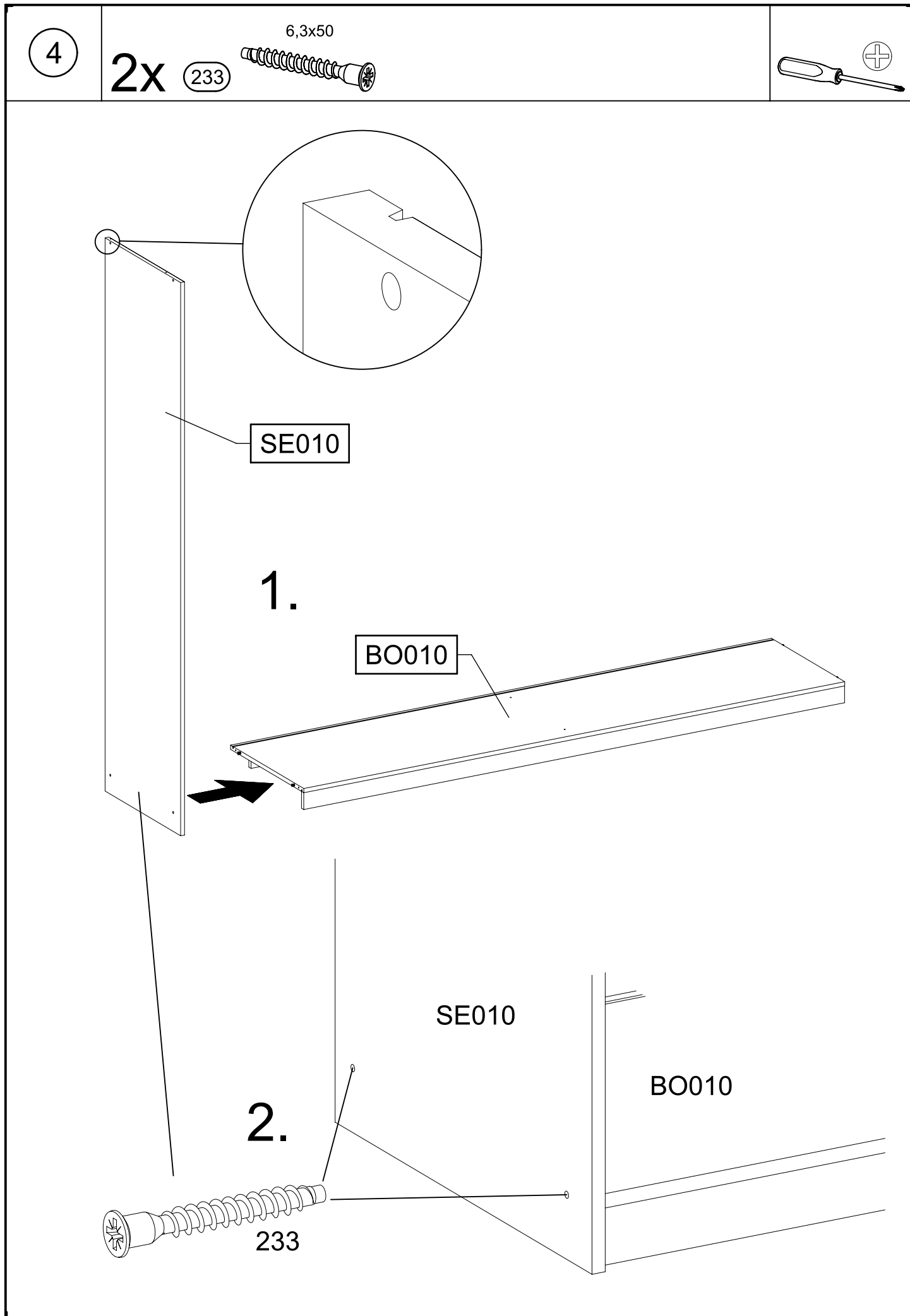
M2575_04

rauch





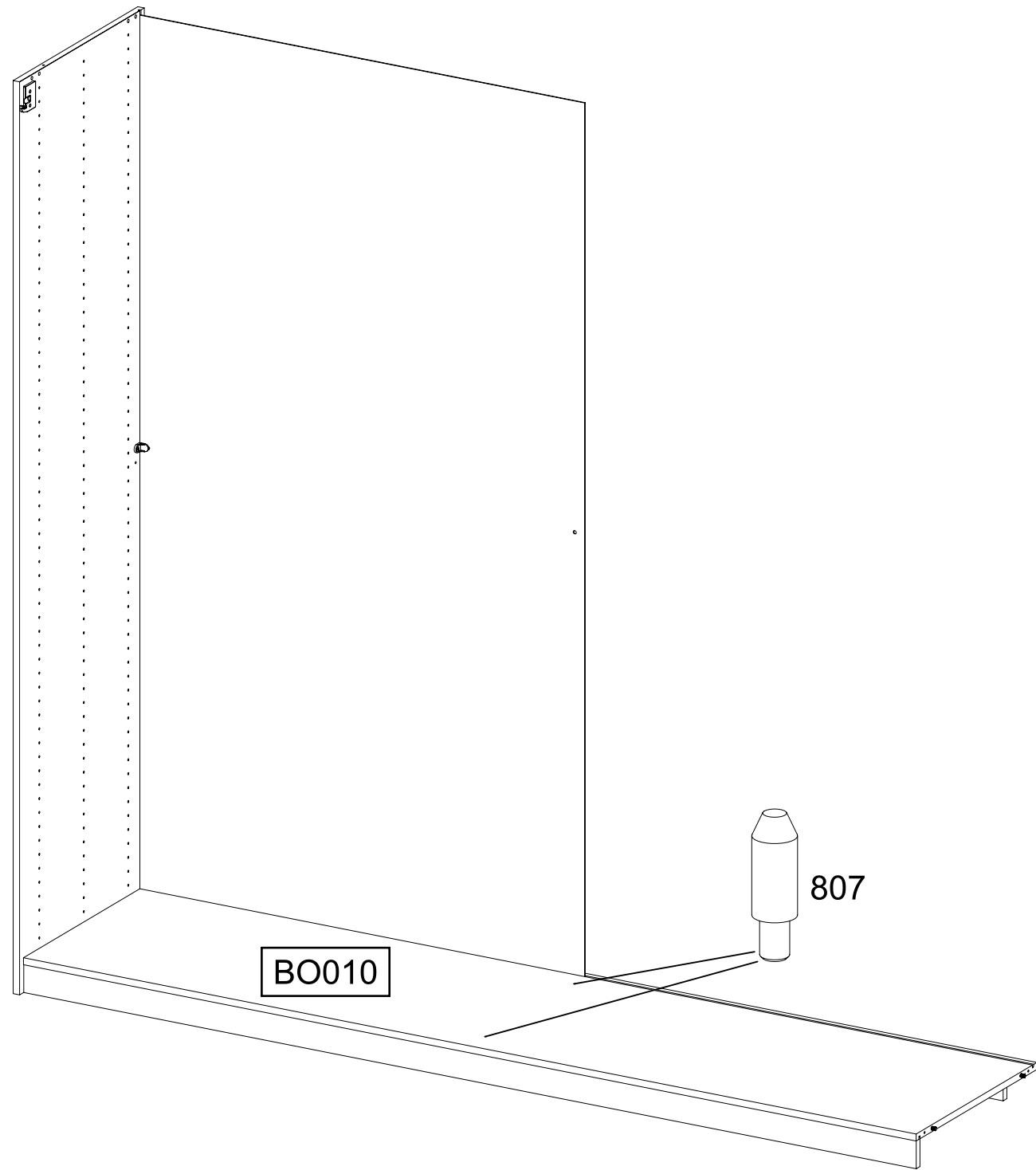
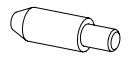




6

2x

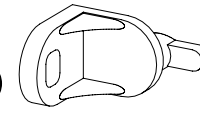
807



7

1x

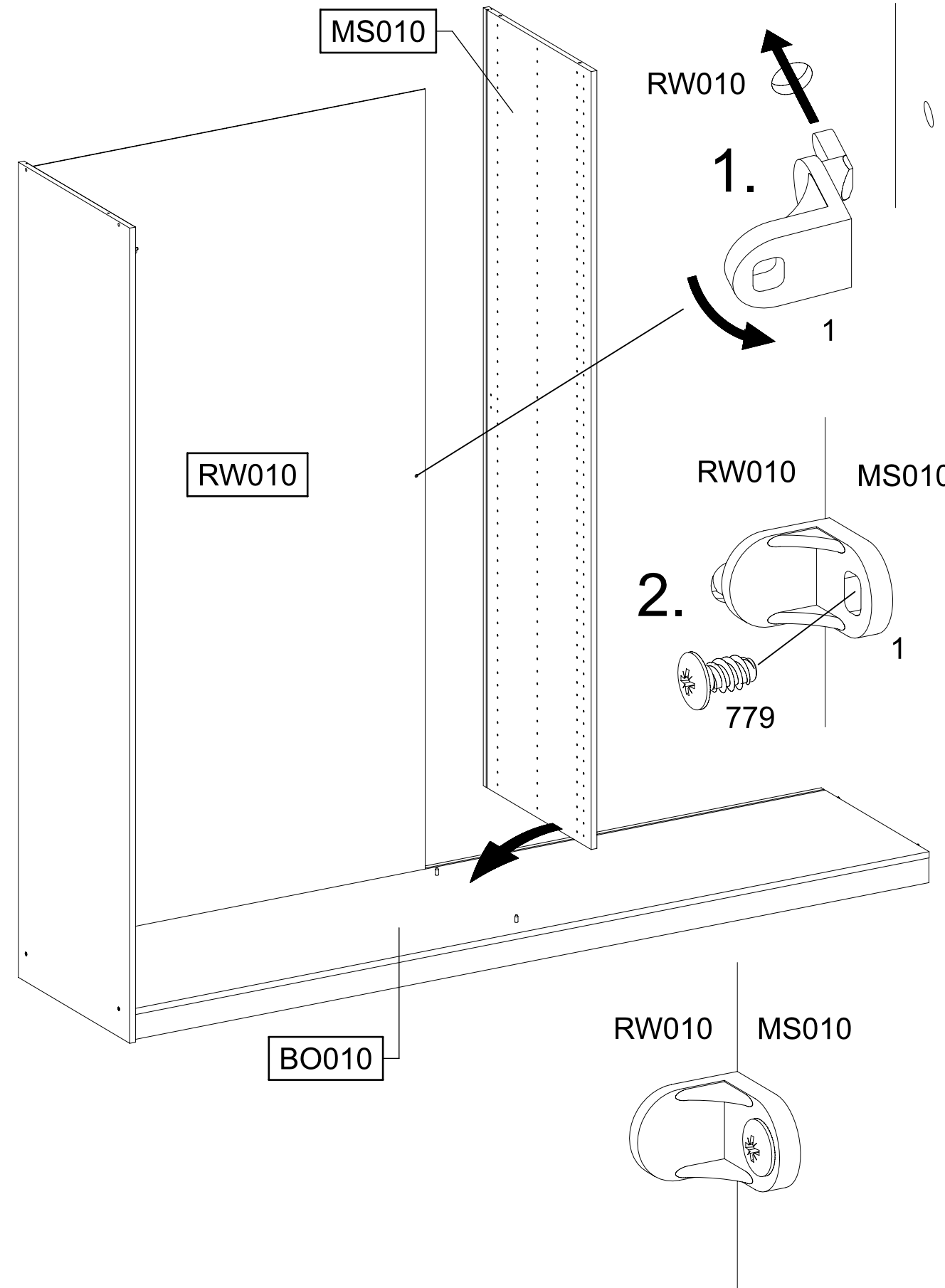
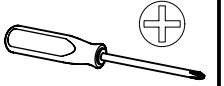
1

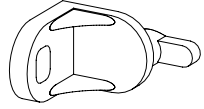

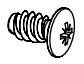
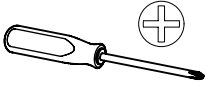


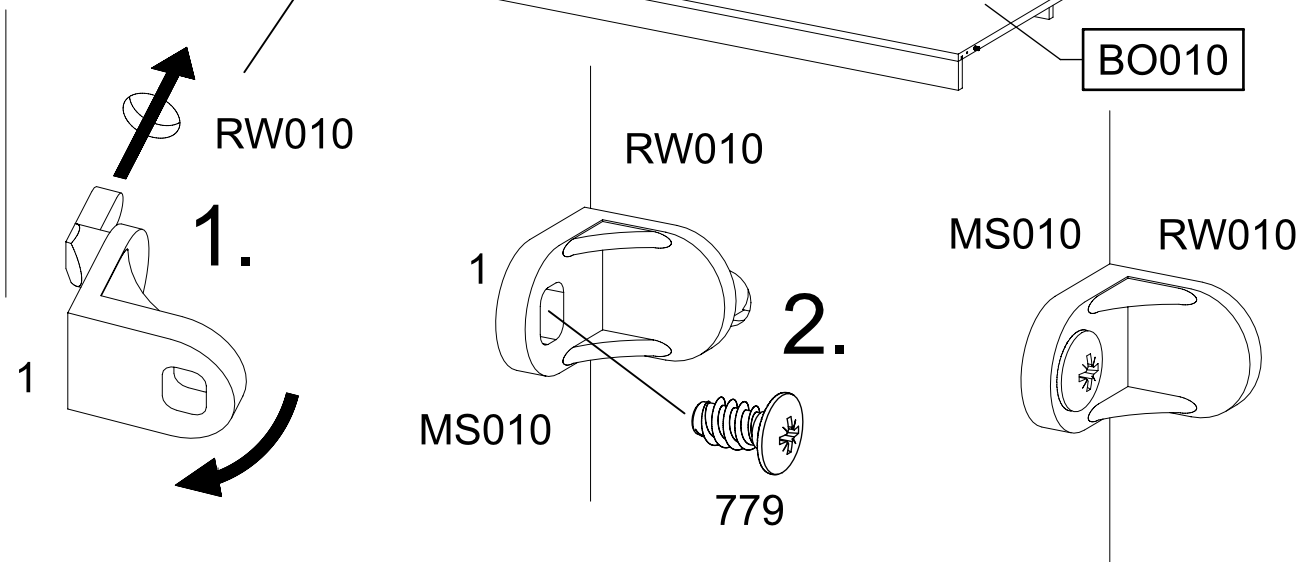
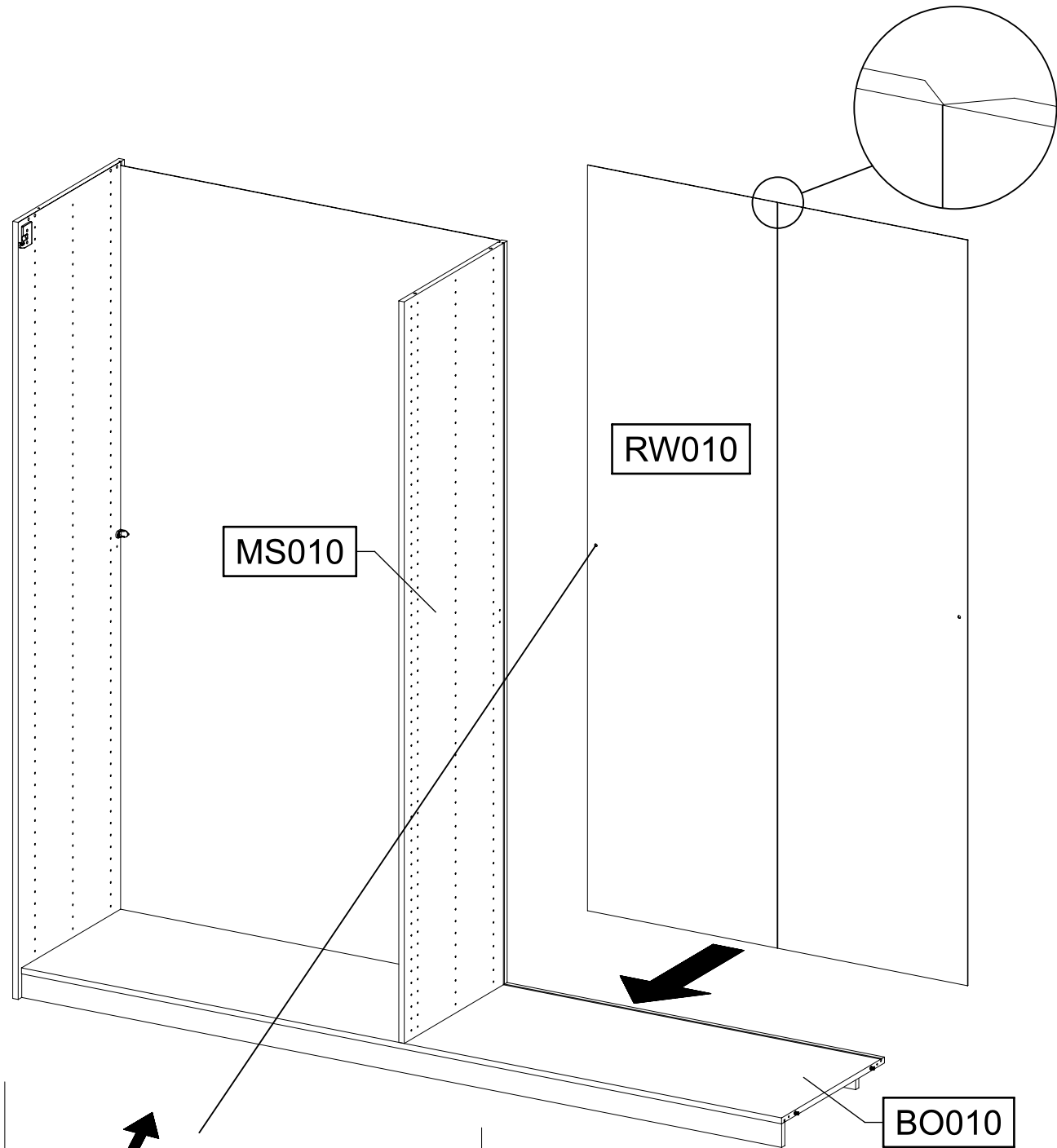
1x





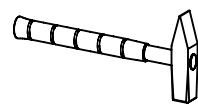
779

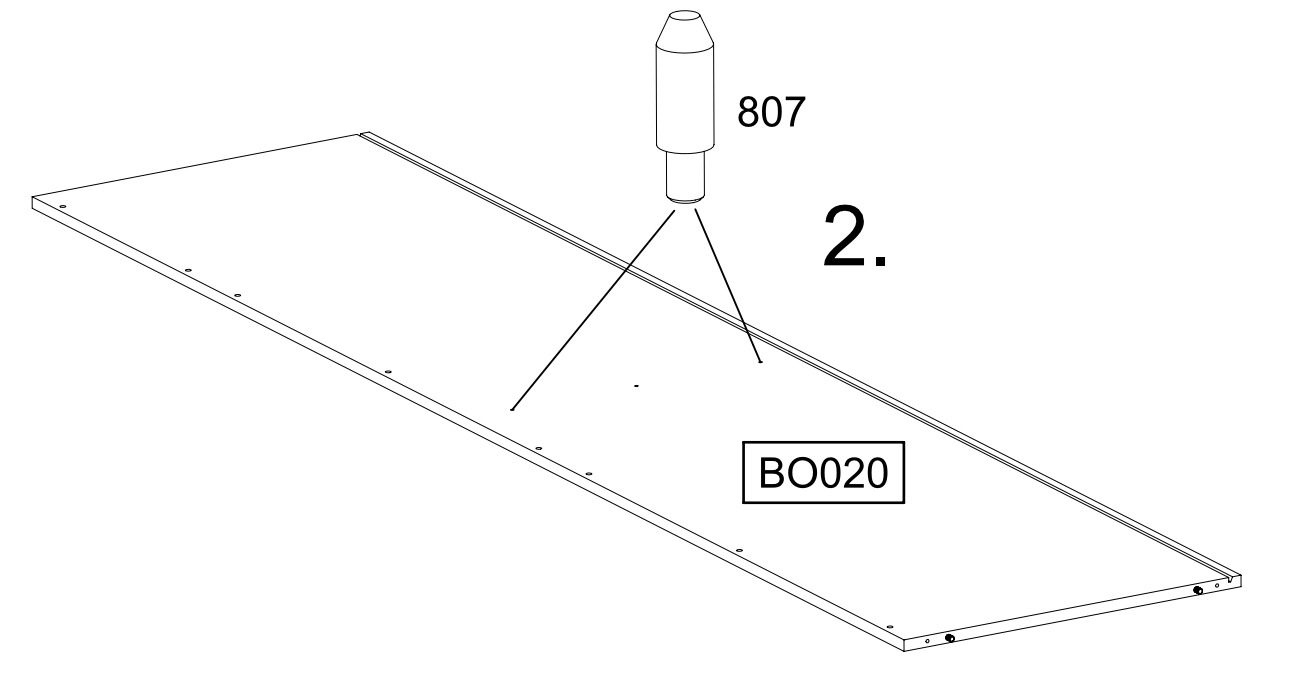
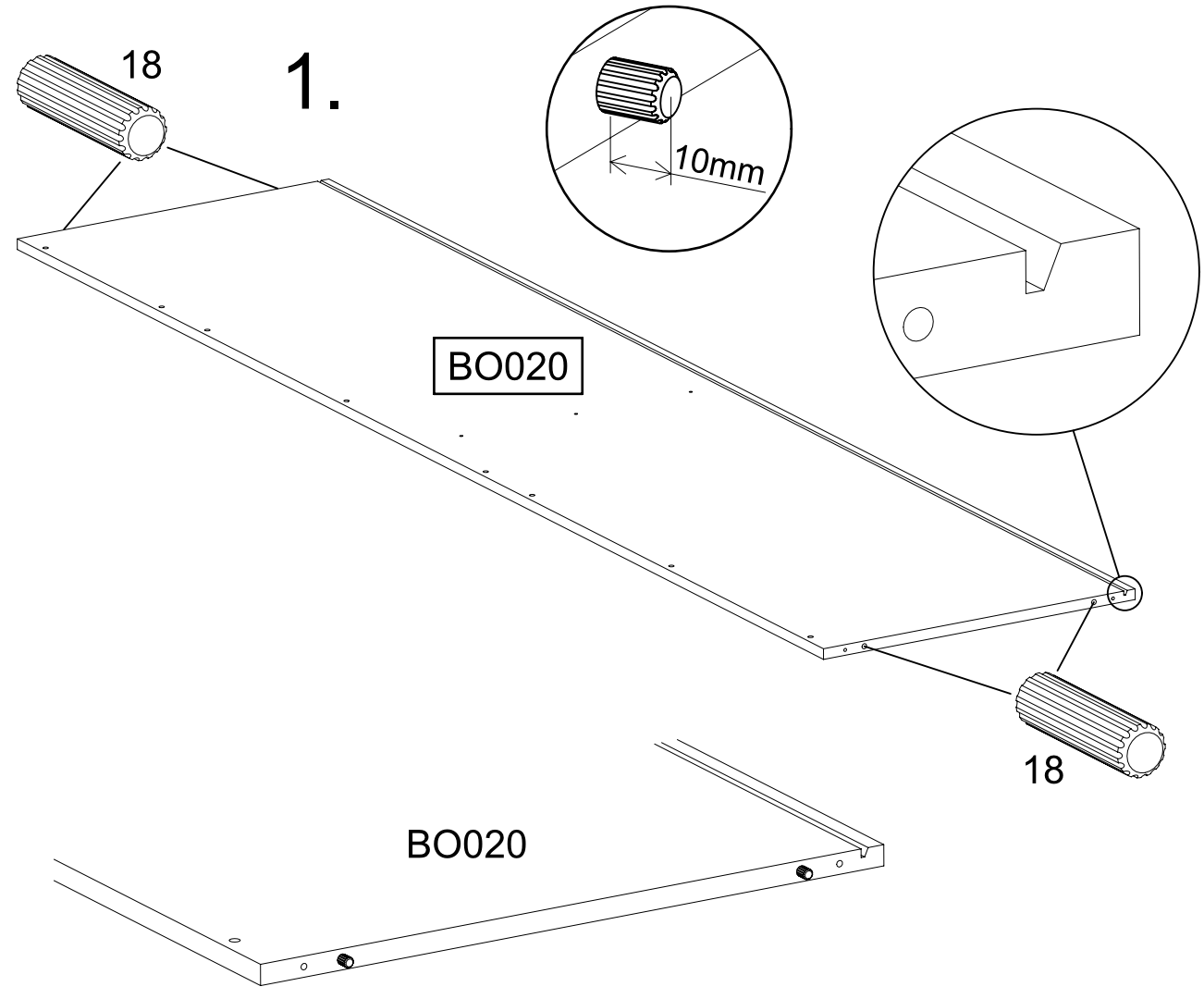
6,5x12

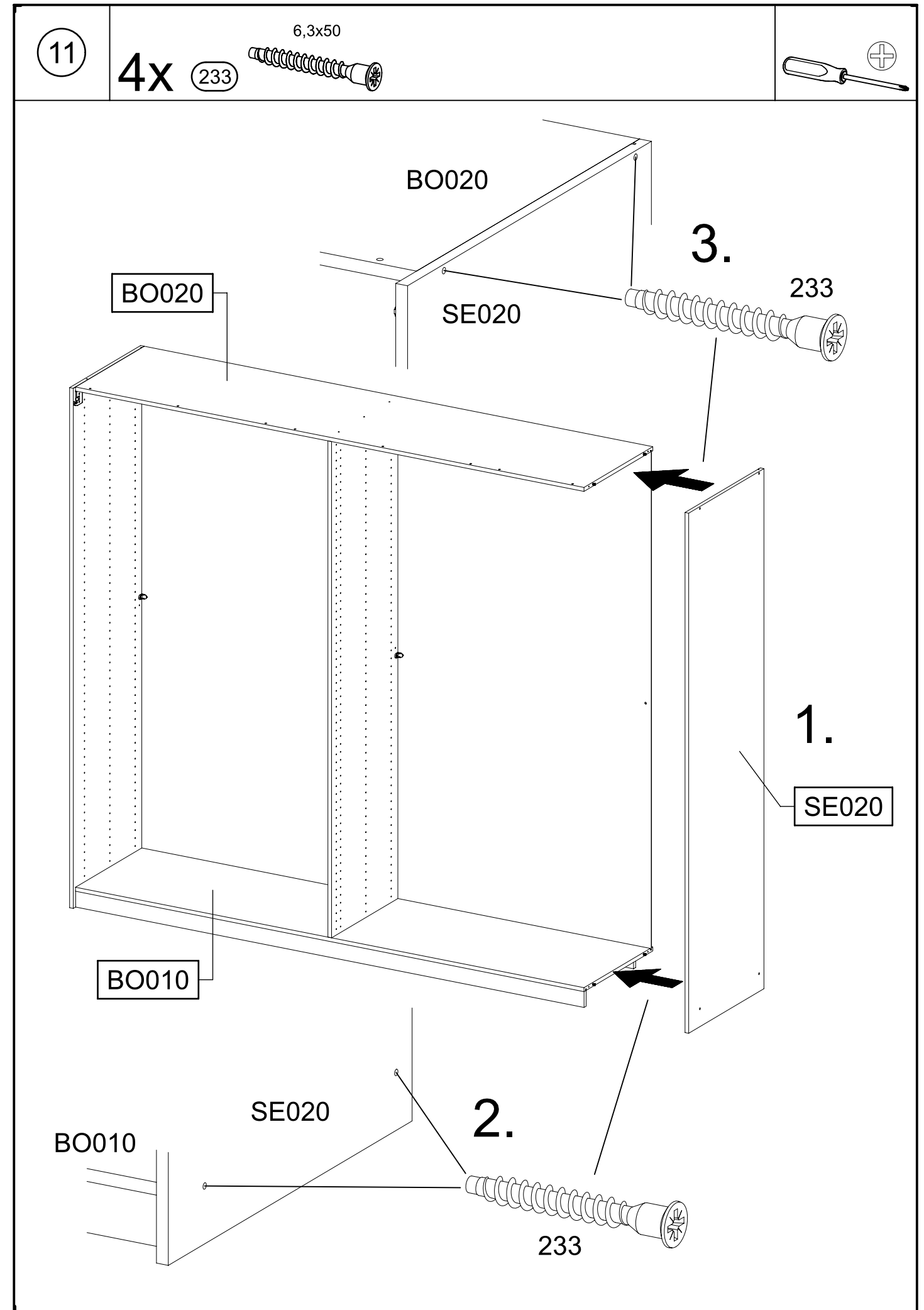
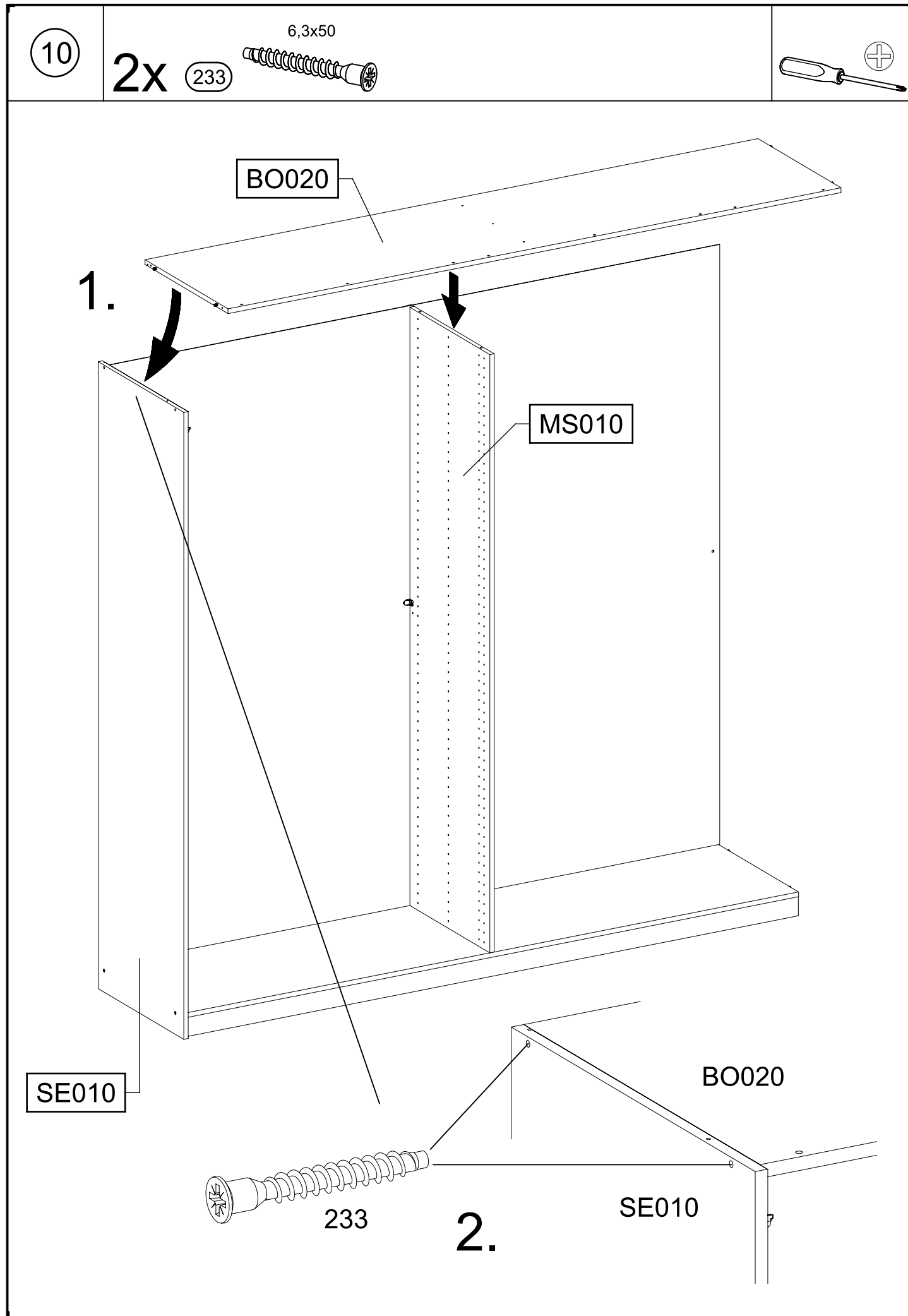


- 8
- 1x 1 
- 1x  6,5x12 
- 



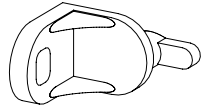
- 9
- 4x  8x30 
- 2x  807 
- 





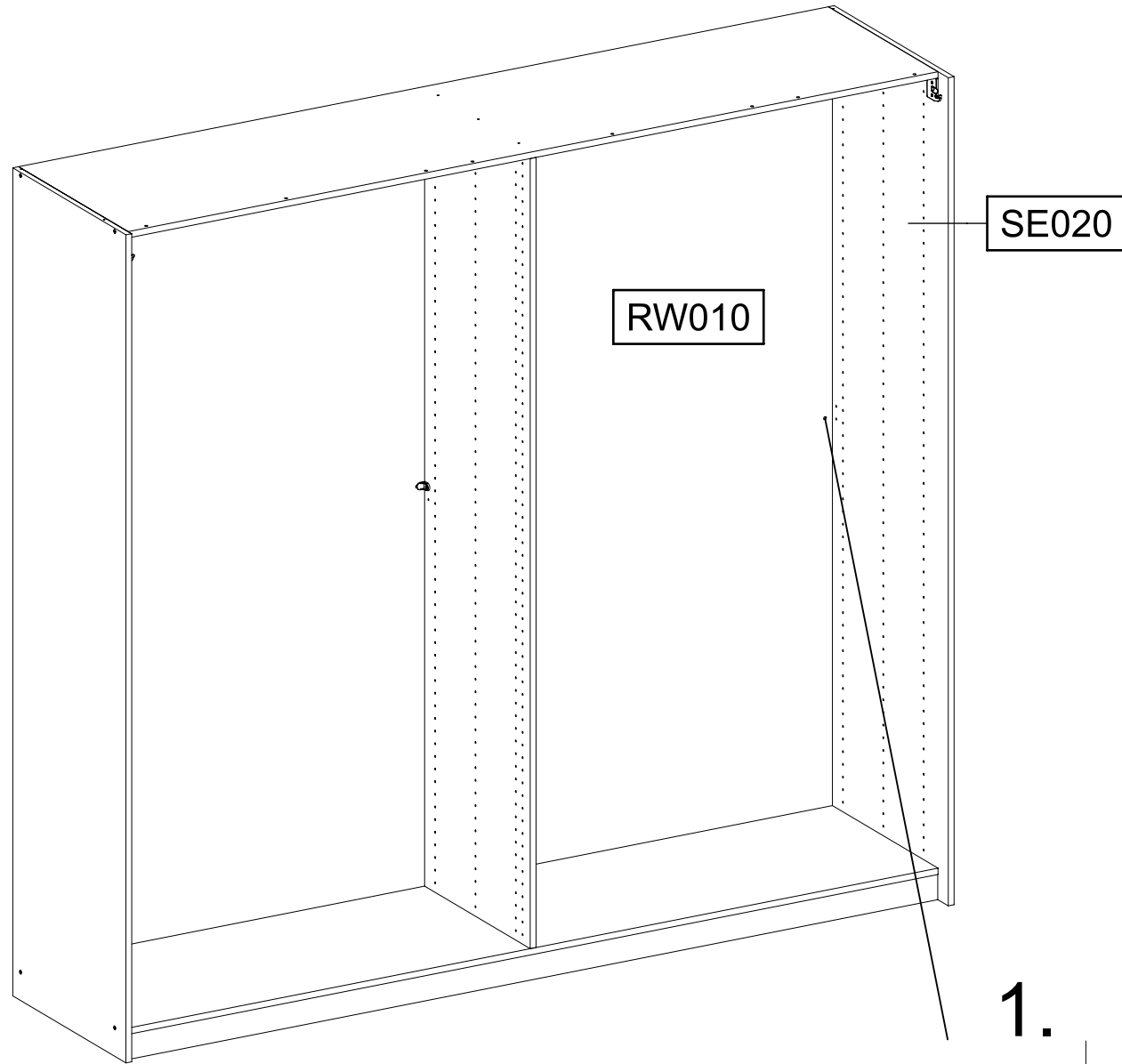
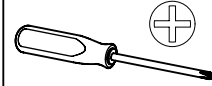
12

1x 1

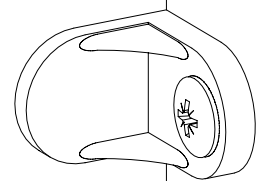


1x 779

6,5x12



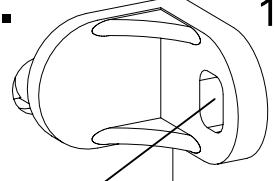
RW010



SE020

2.

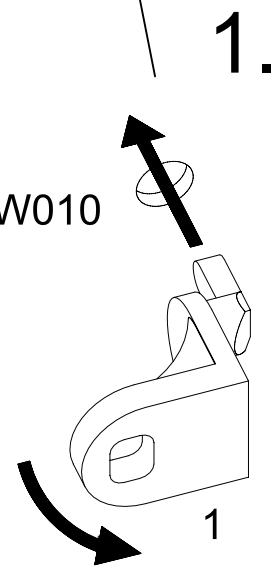
RW010



SE020

779

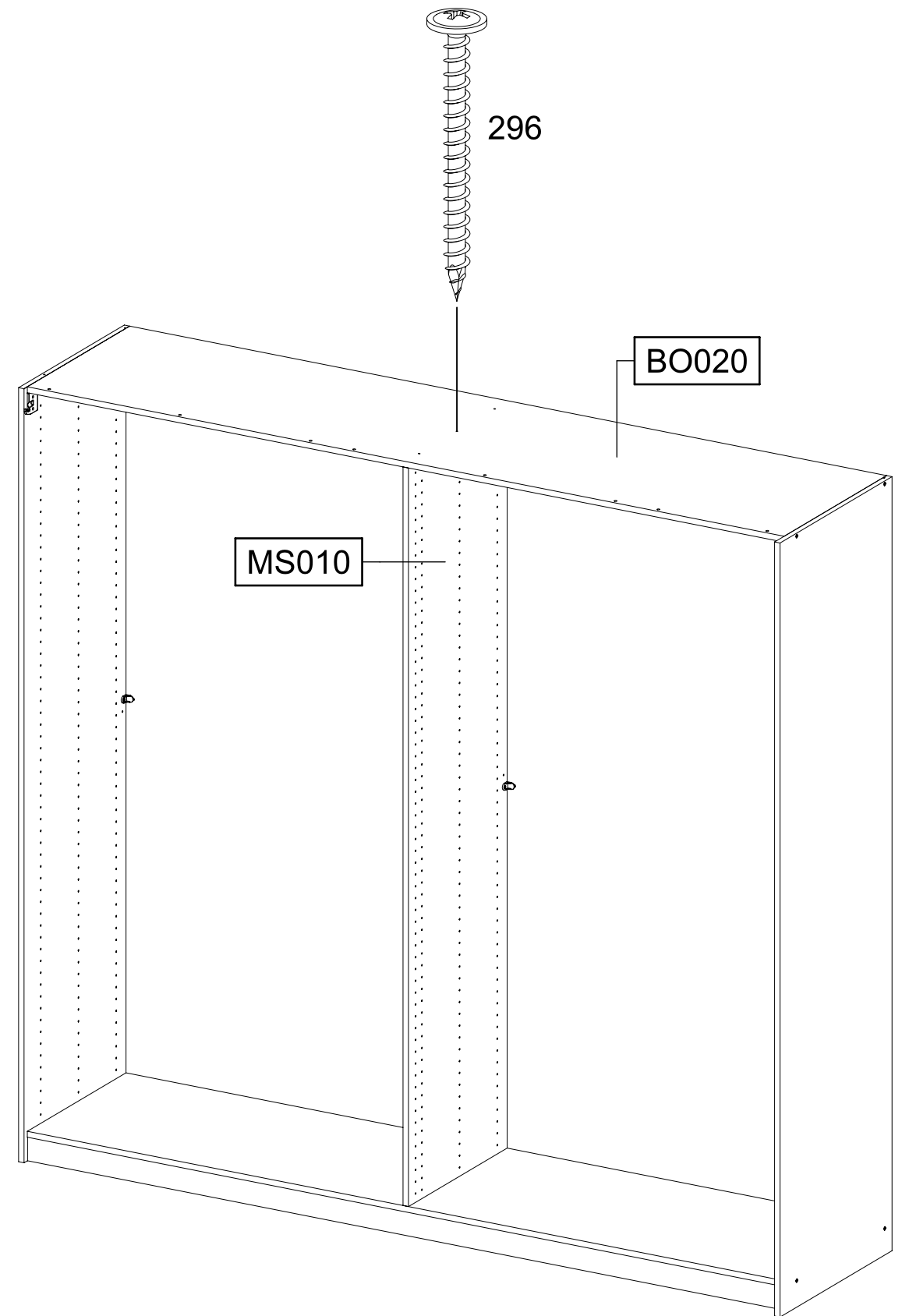
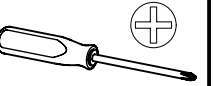
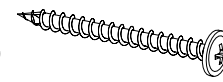
RW010



13

1x 296

4,5x50



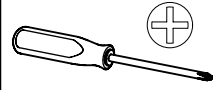
296

BO020

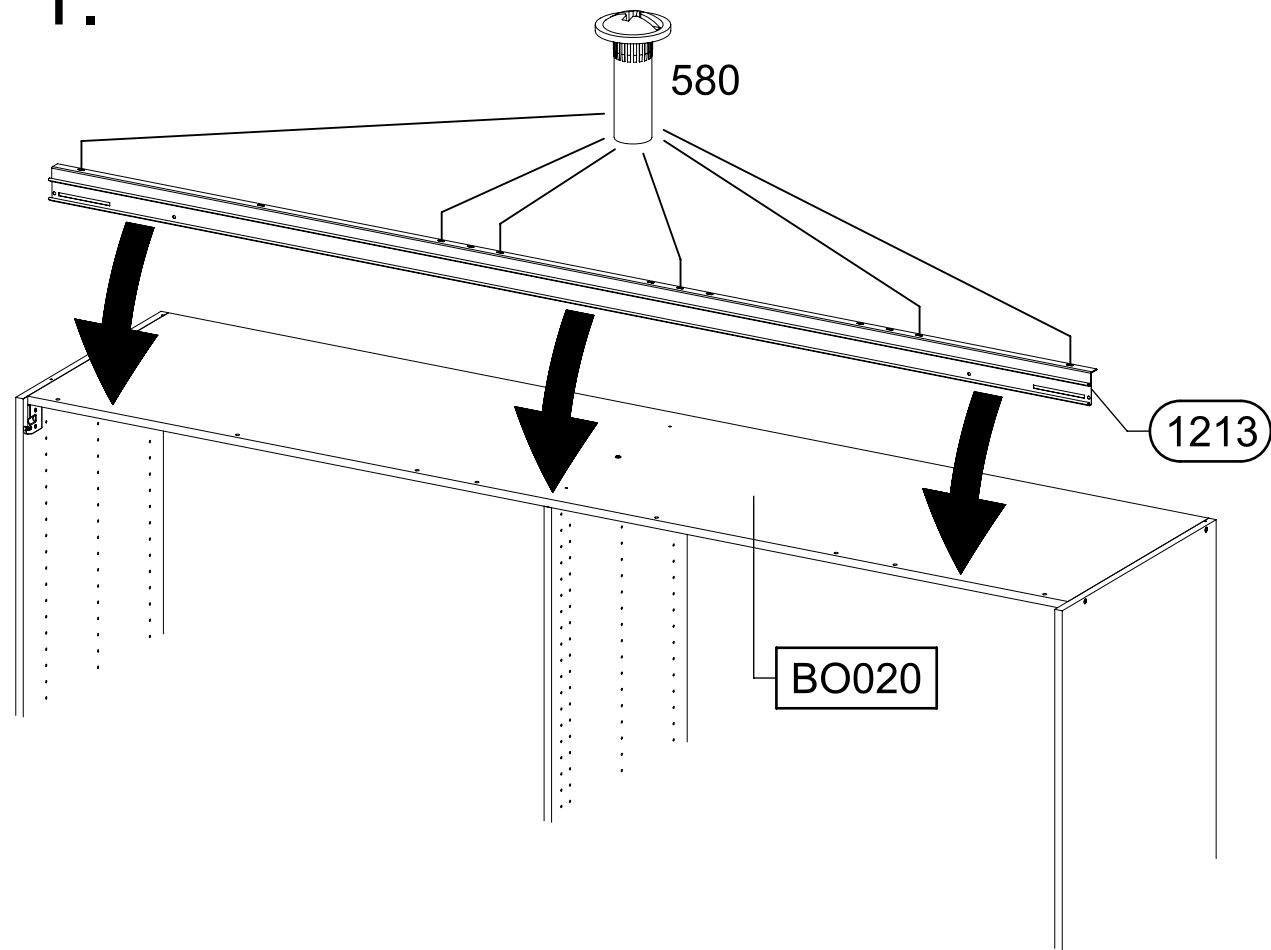
MS010

14

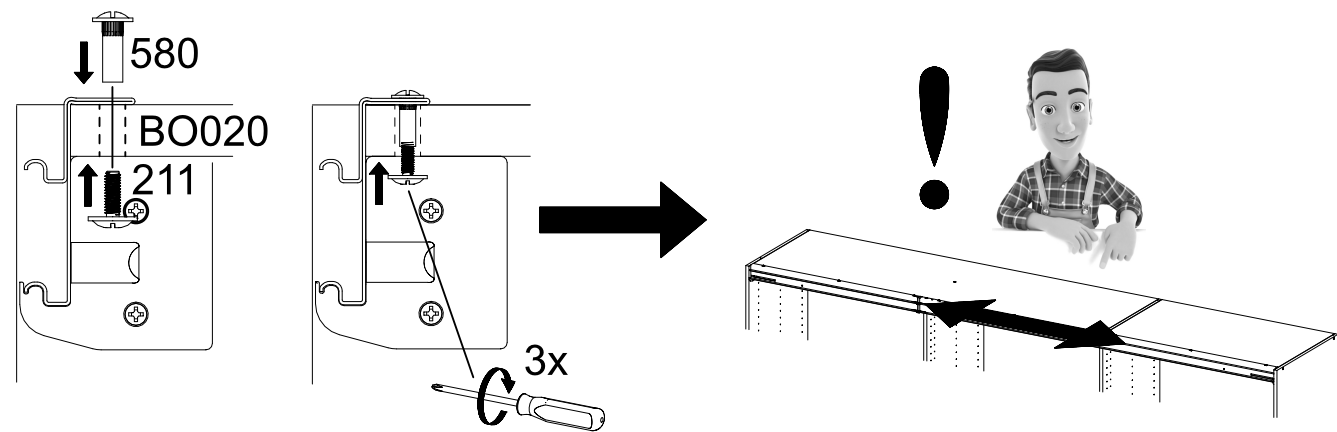
6x ^{M4x12} (211) 6x ^{M4} (580)



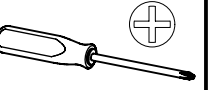
1.



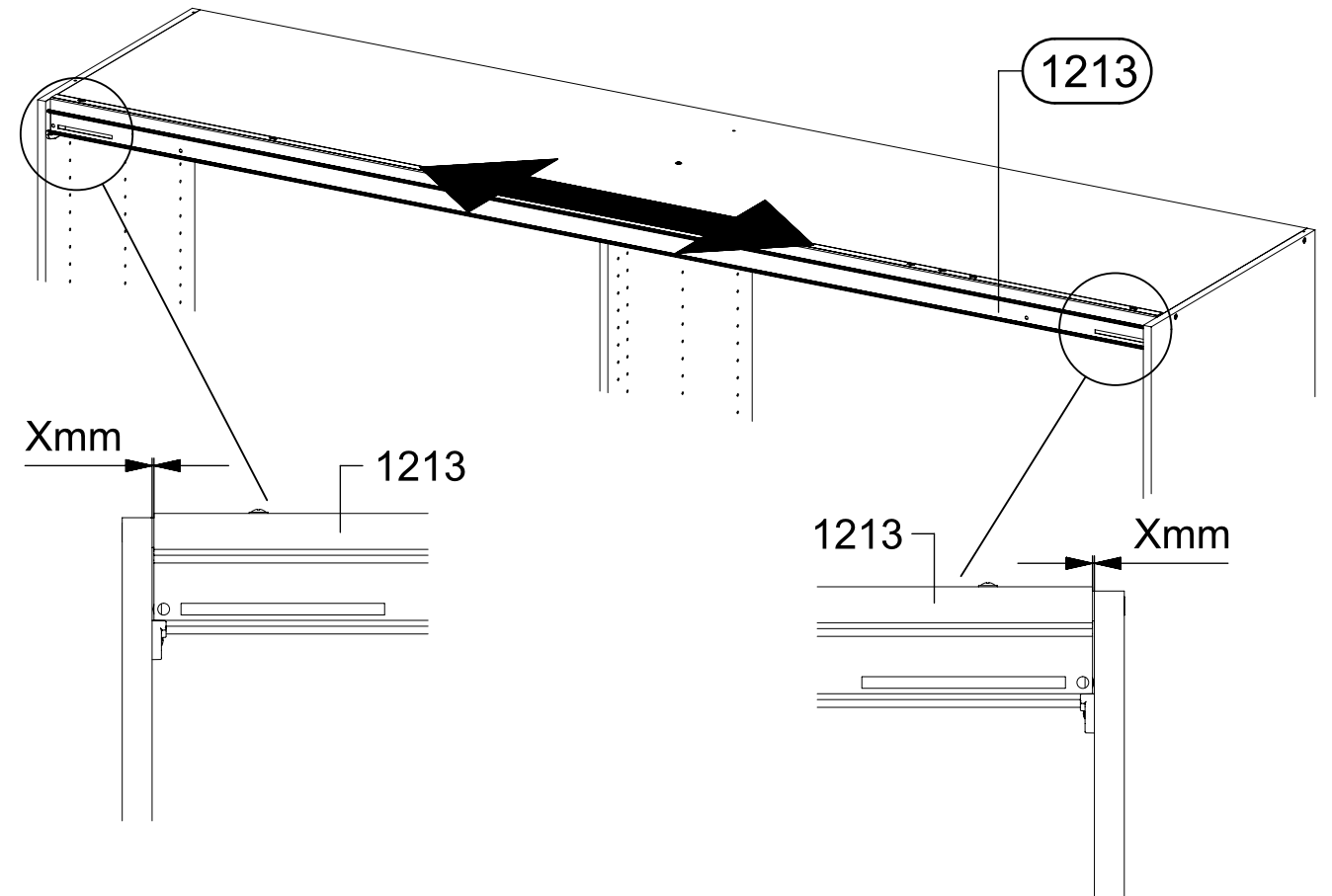
2.



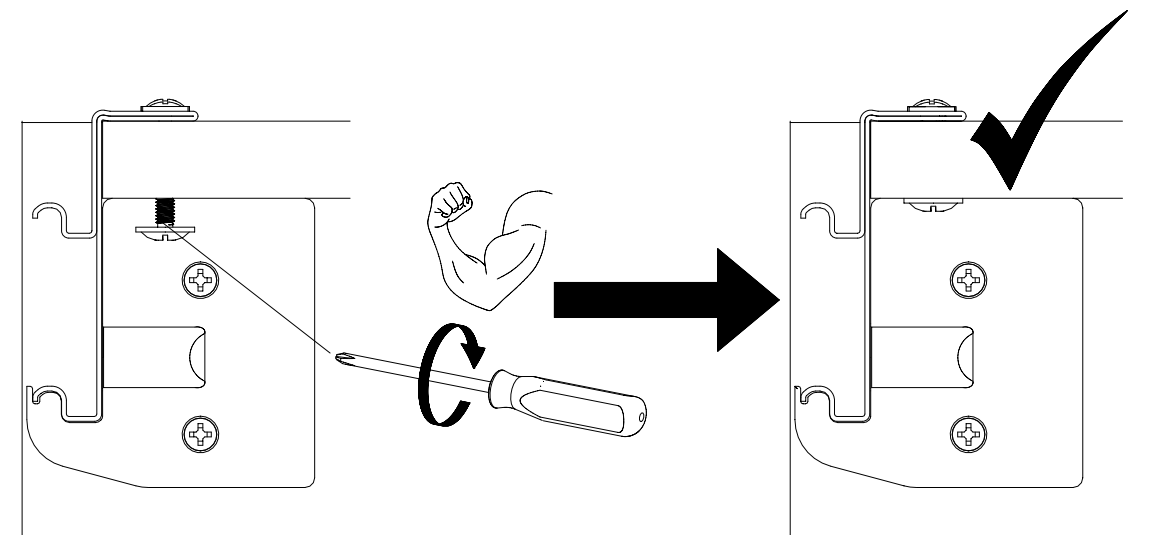
15



1.



2.

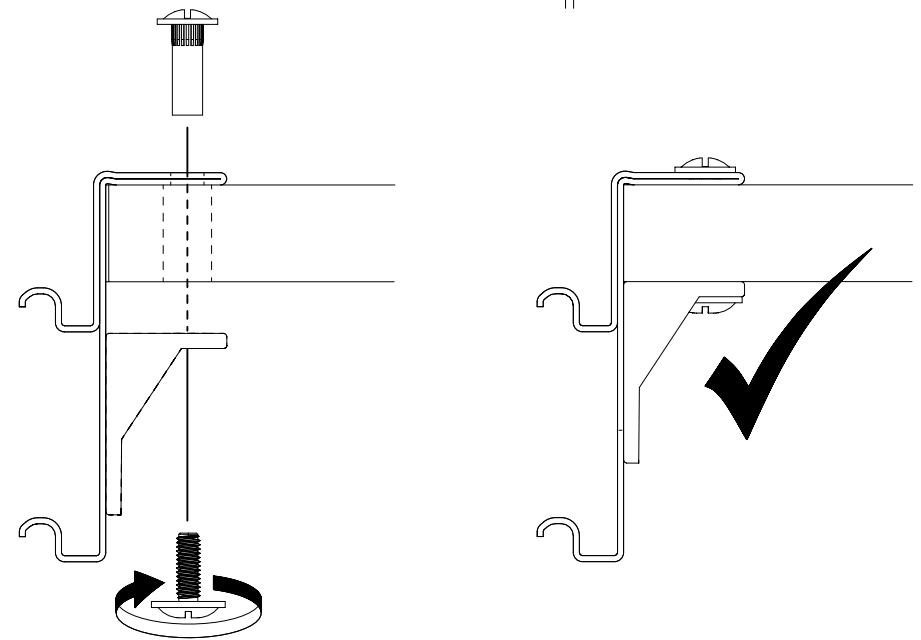
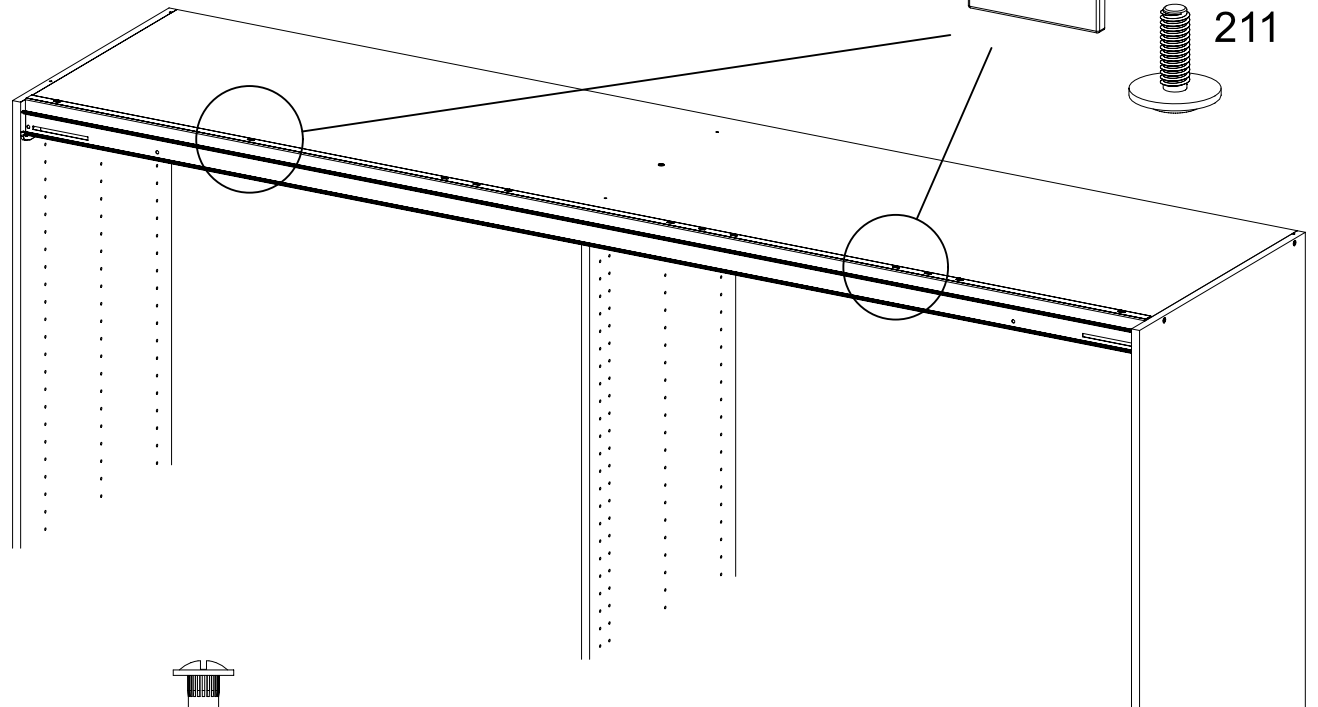
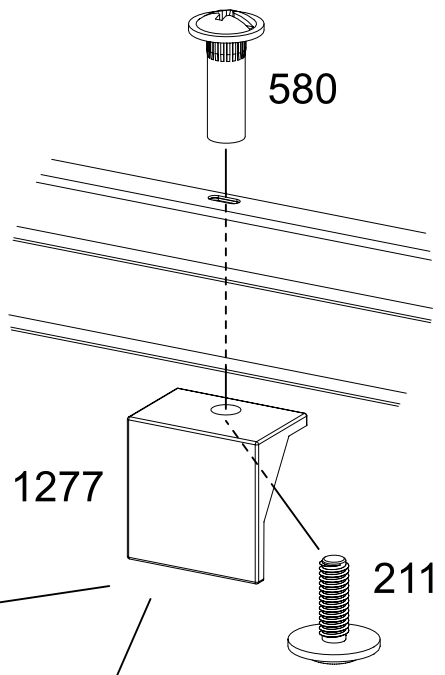
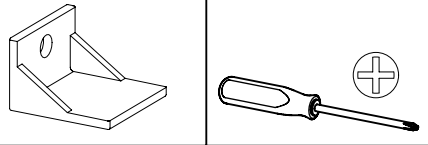


16

2x (211) M4x12

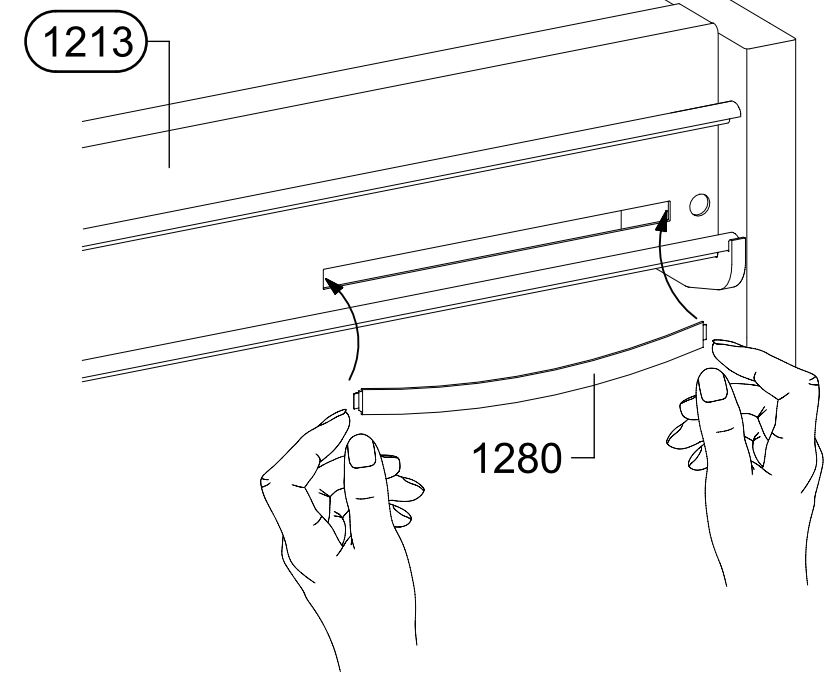
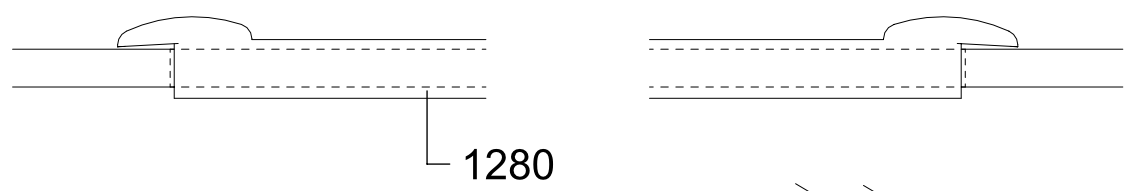
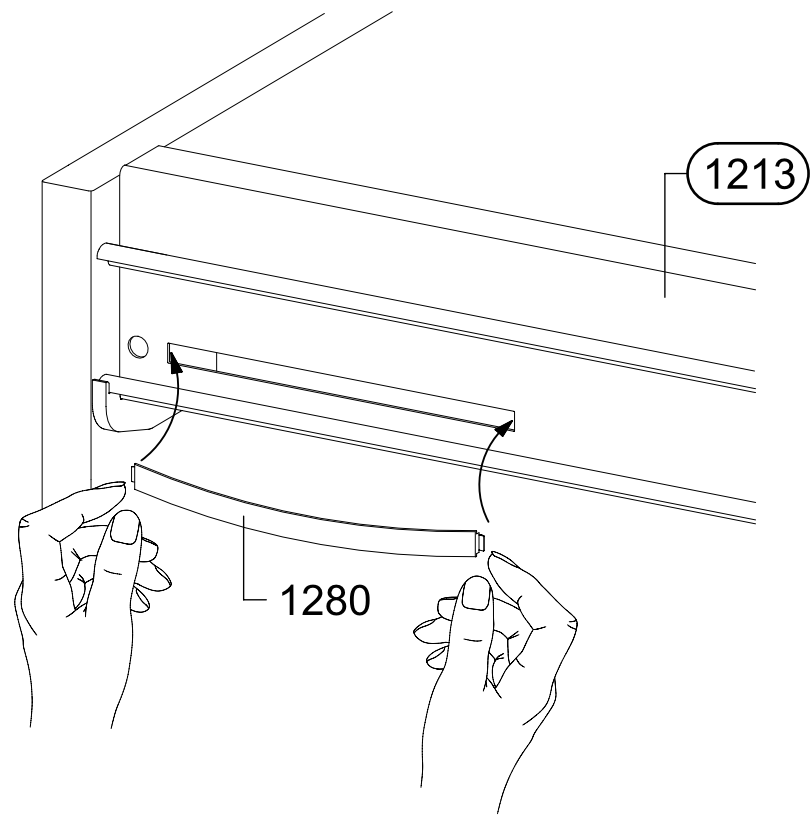
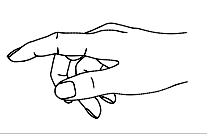
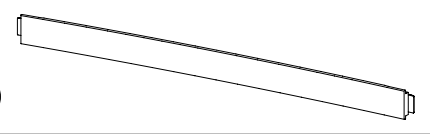
2x (580) M4

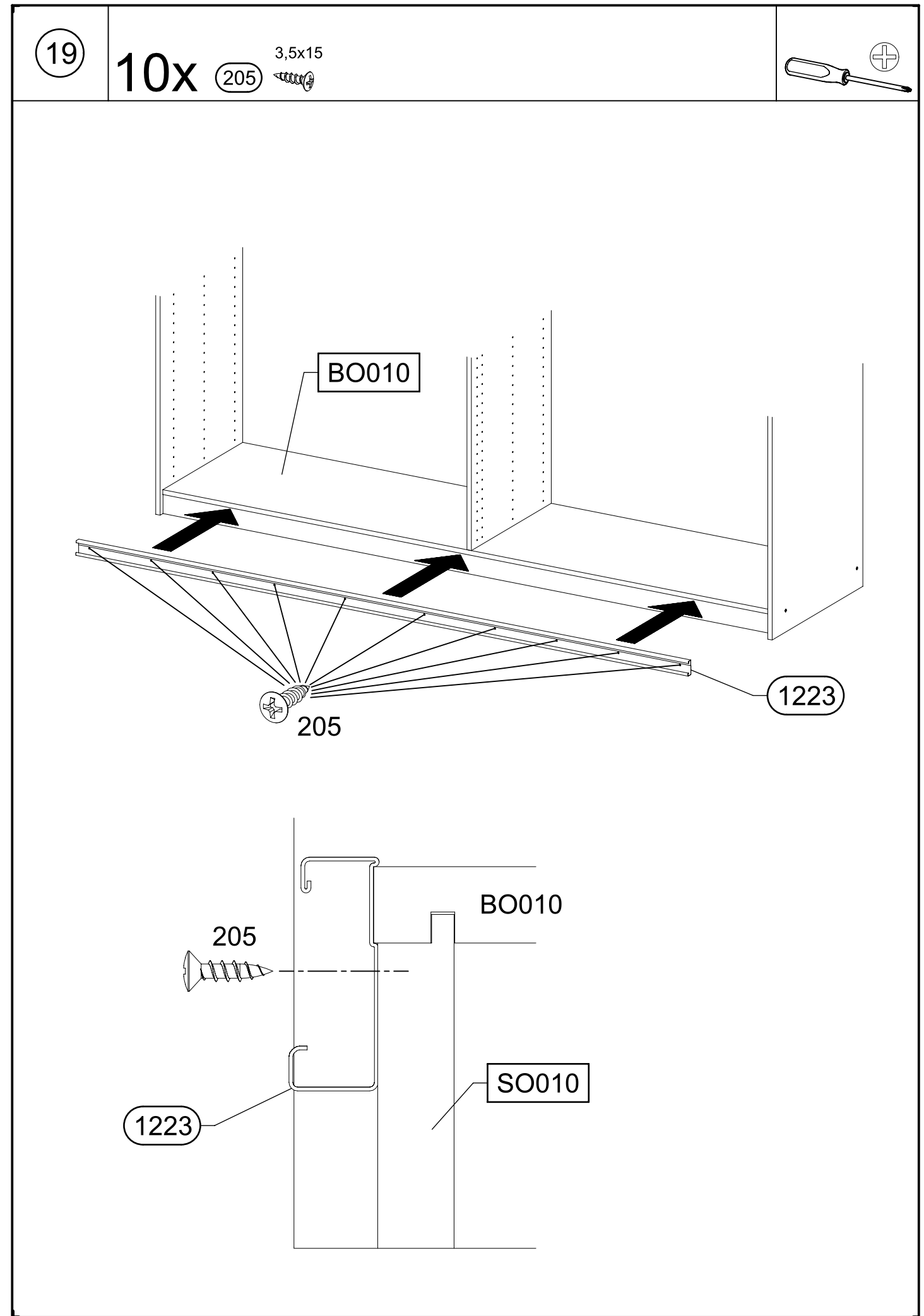
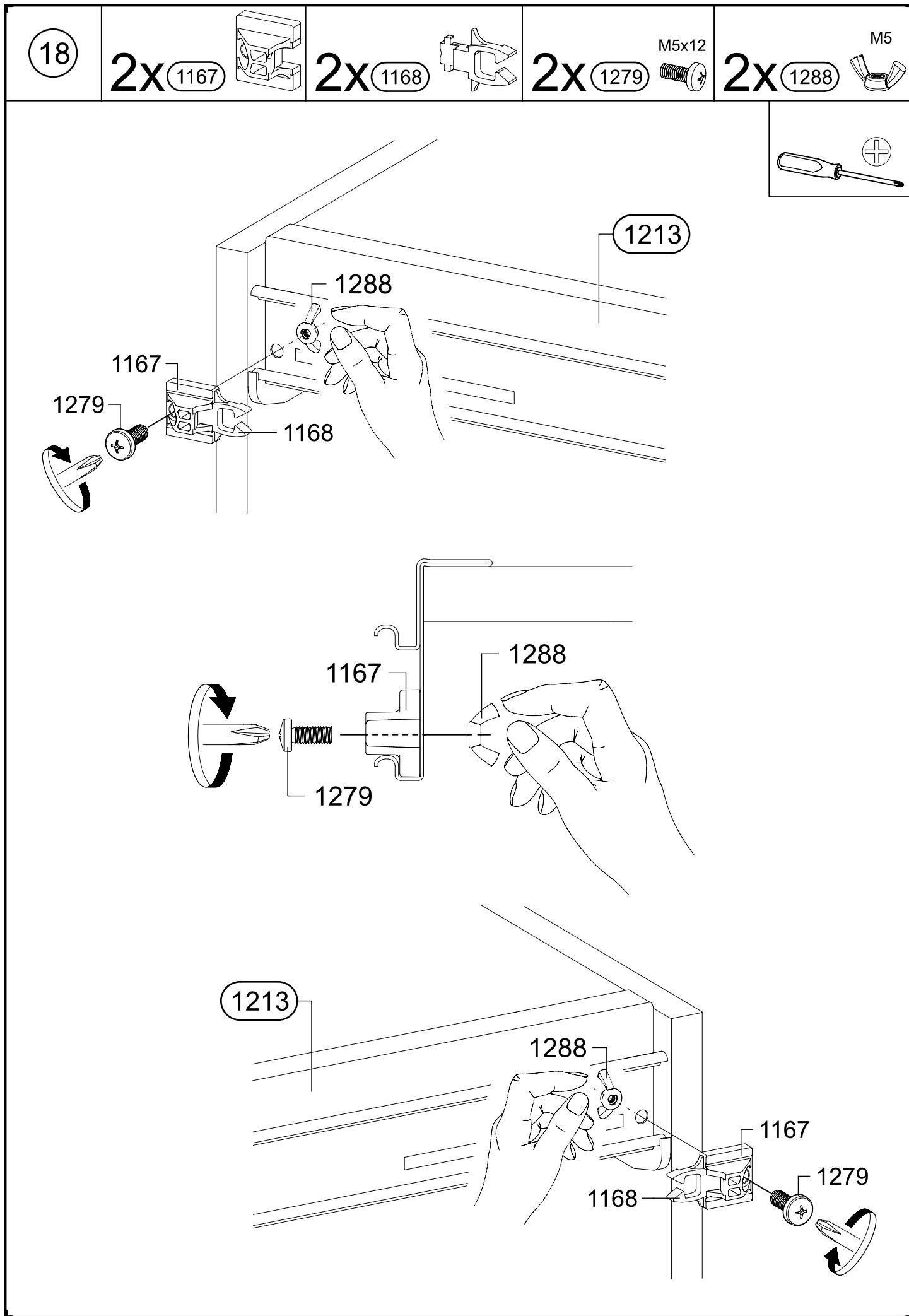
2x (1277)



17

2x (1280)



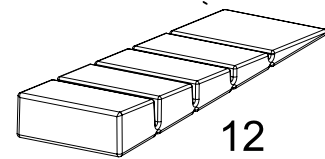
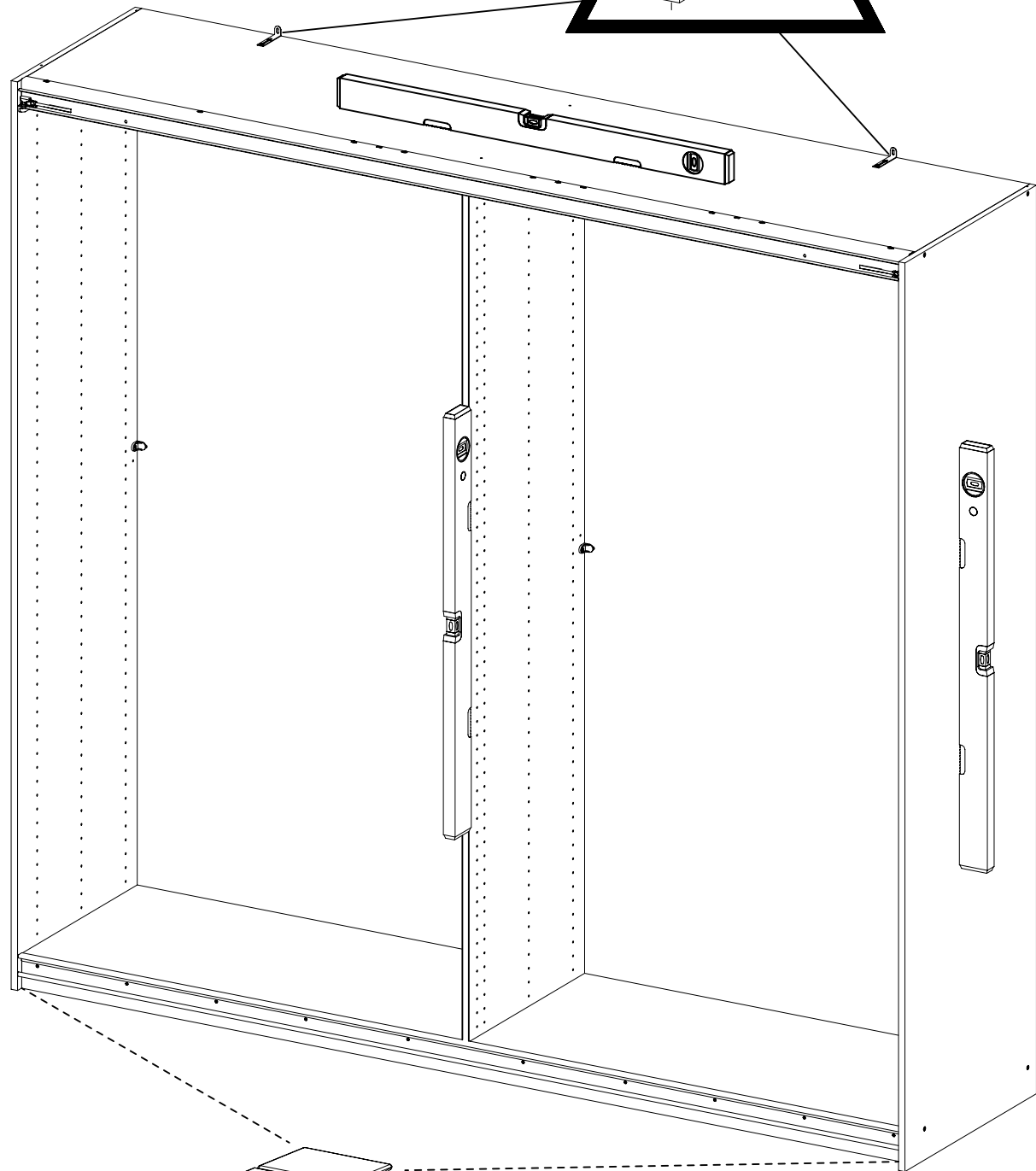
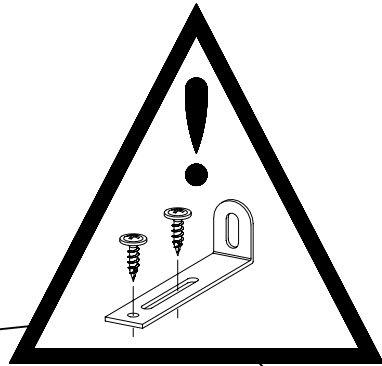
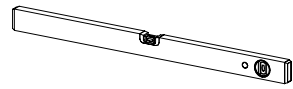
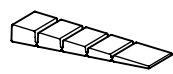


20

2x

12

55x16x6,2

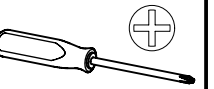
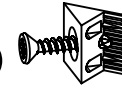


12

21

8x

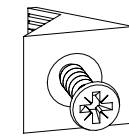
45



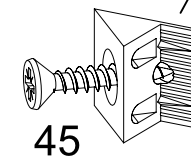
SE010

MS010

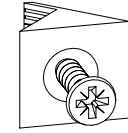
SE020



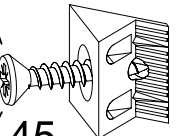
45



45

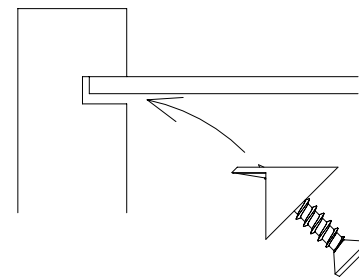


45

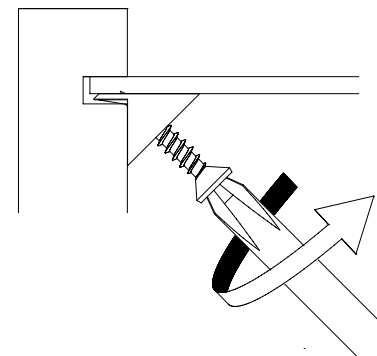


45

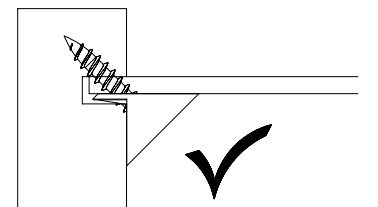
1.




2.

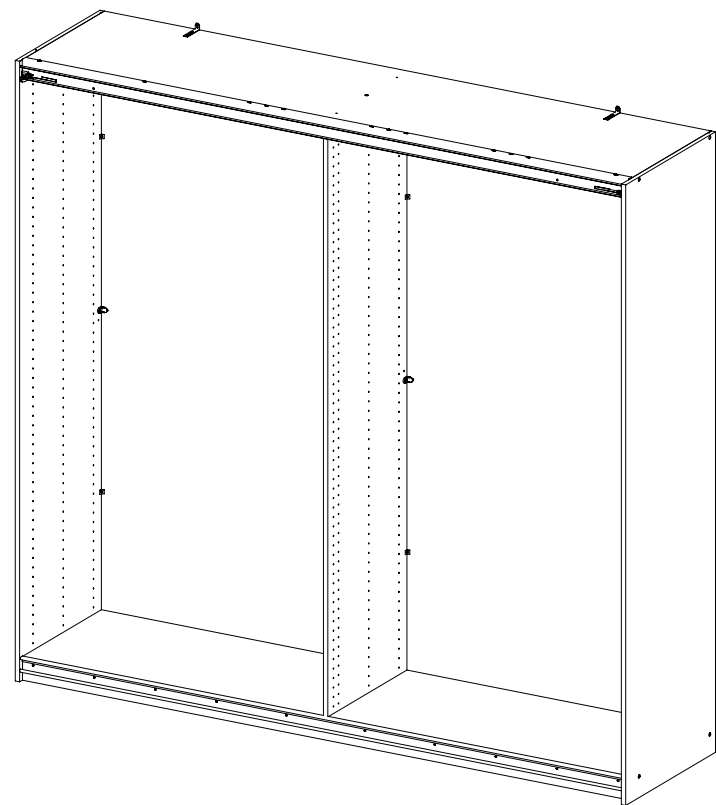
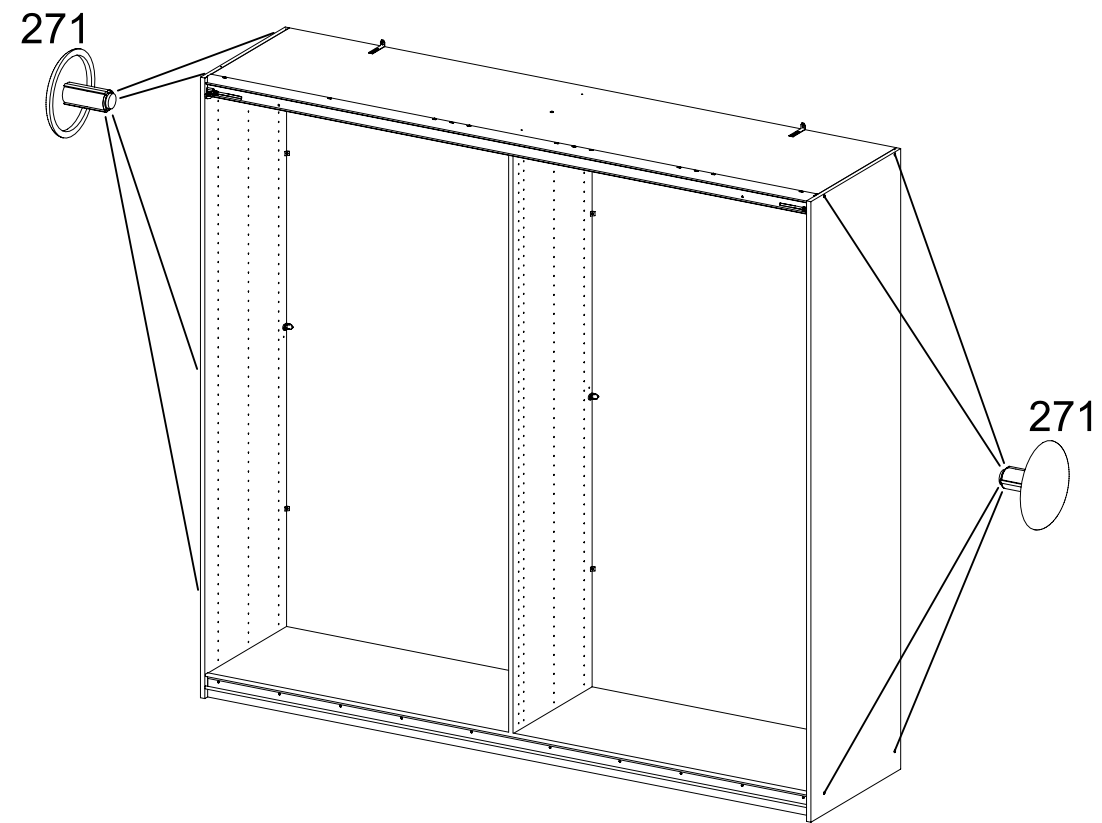


3.

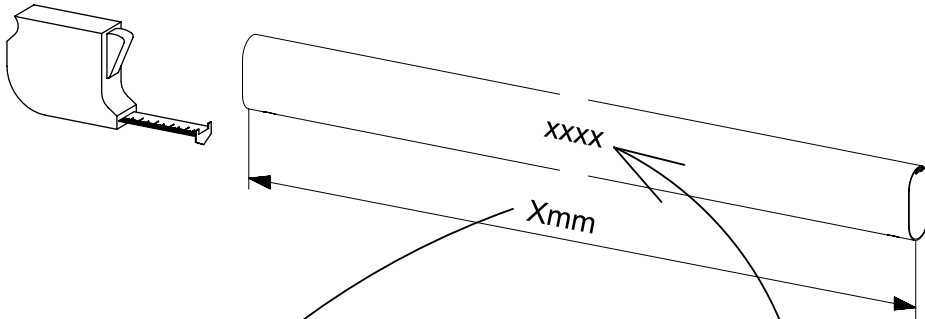
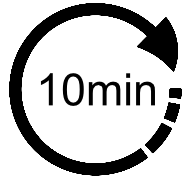
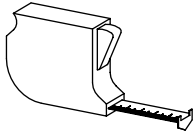
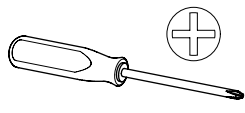


22

8x 271 



MZ110_04




Xmm	  	xxxx
393mm	max. 40kg	2000
426mm	max. 40kg	2001
538mm	max. 40kg	2011
563mm	max. 40kg	2002
650mm	max. 40kg	2003
809mm	max. 40kg	2004
873mm	max. 40kg	2006
890mm	max. 40kg	2010
1097mm	max. 40kg	2008

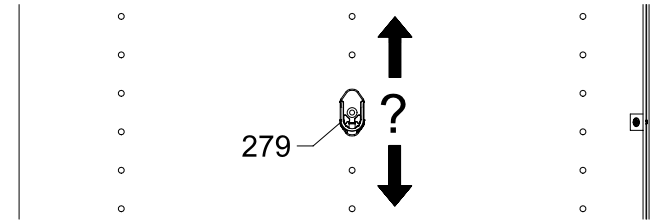
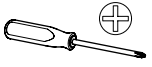
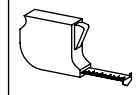


xxxx = 2000, 2001, 2002, 2003, 2004, 2006, 2008, 2010, 2011,

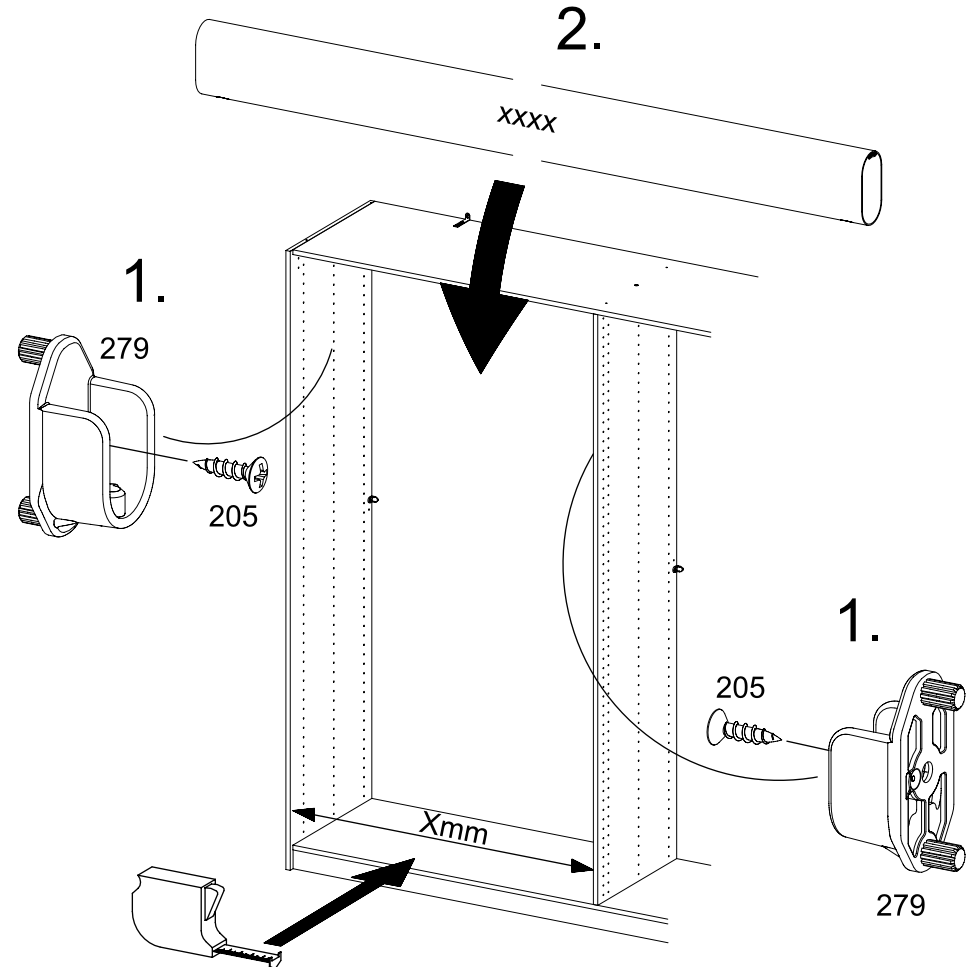
1

2x  3,5x15

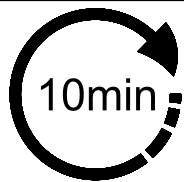
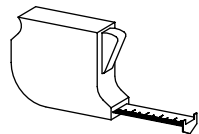
2x 



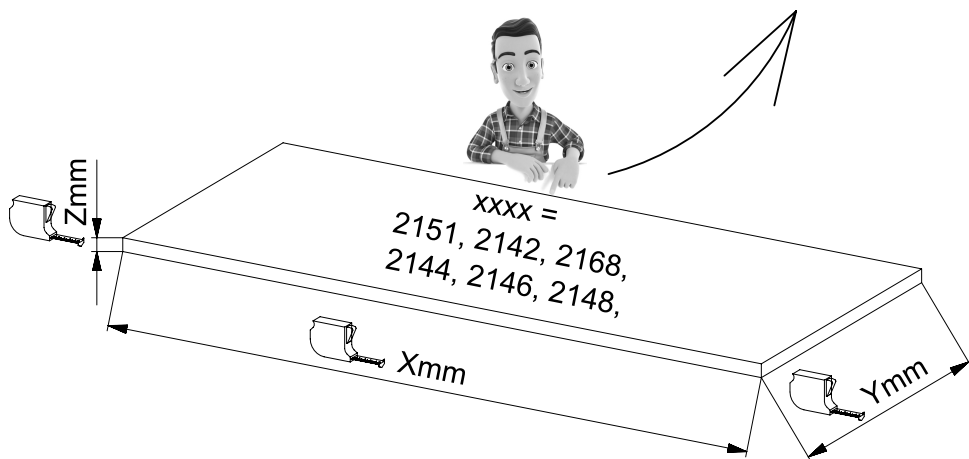
2.



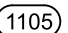

MZ113_04

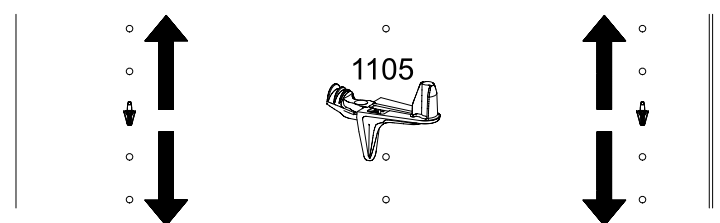


Xmm	Ymm	Zmm	 	xxxx
241mm	480mm	16mm	max. 10kg	(2151)
432mm	480mm	16mm	max. 10kg	(2142)
544mm	480mm	22mm	max. 25kg	(2168)
656mm	480mm	16mm	max. 10kg	(2144)
880mm	480mm	16mm	max. 10kg	(2146)
1104mm	480mm	22mm	max. 25kg	(2148)

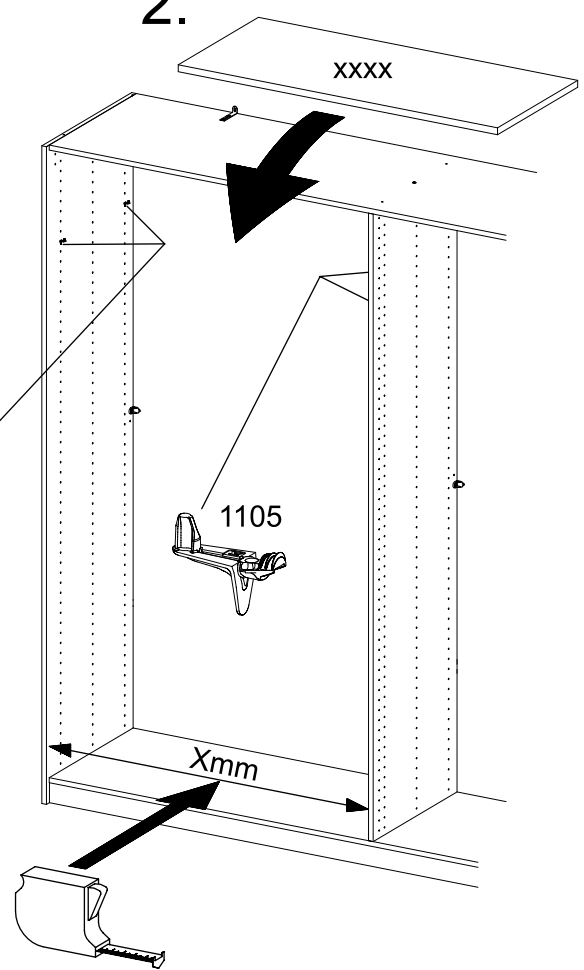


1

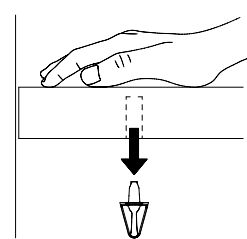
4x  1105 



2.

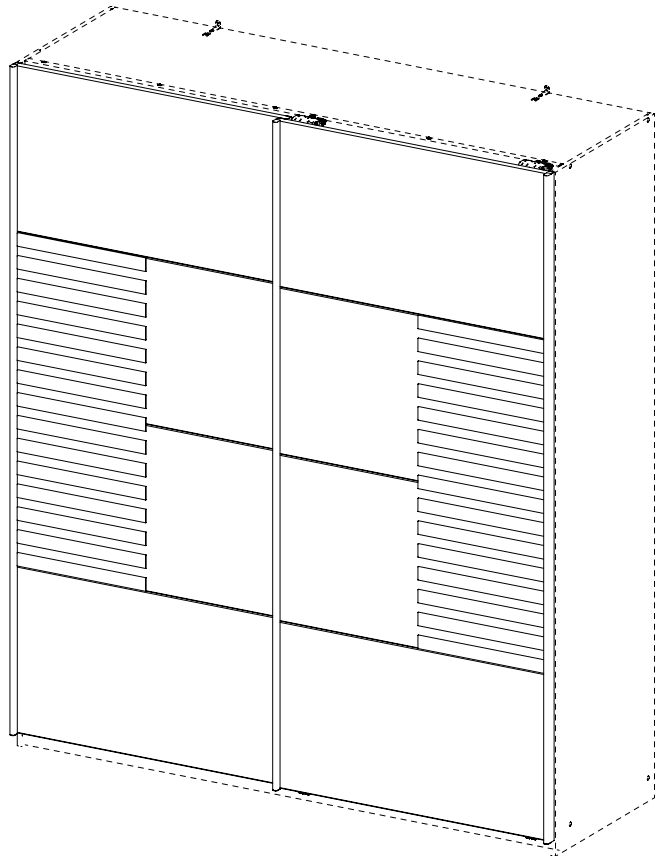
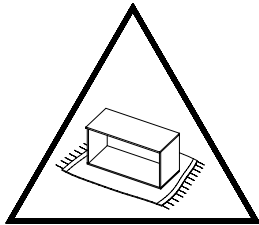
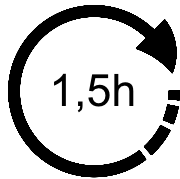
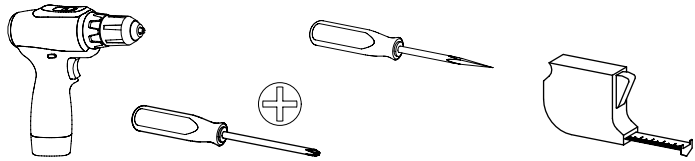


3.



1.

M9932_01



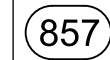
M9932

2.

6x



12x

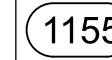


77x16x2

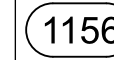
64x



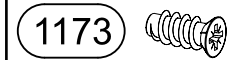
1x



1x



24x



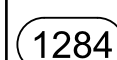
1x



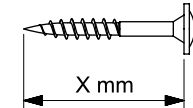
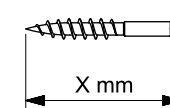
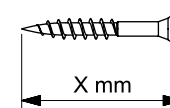
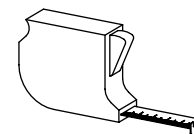
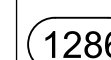
1x



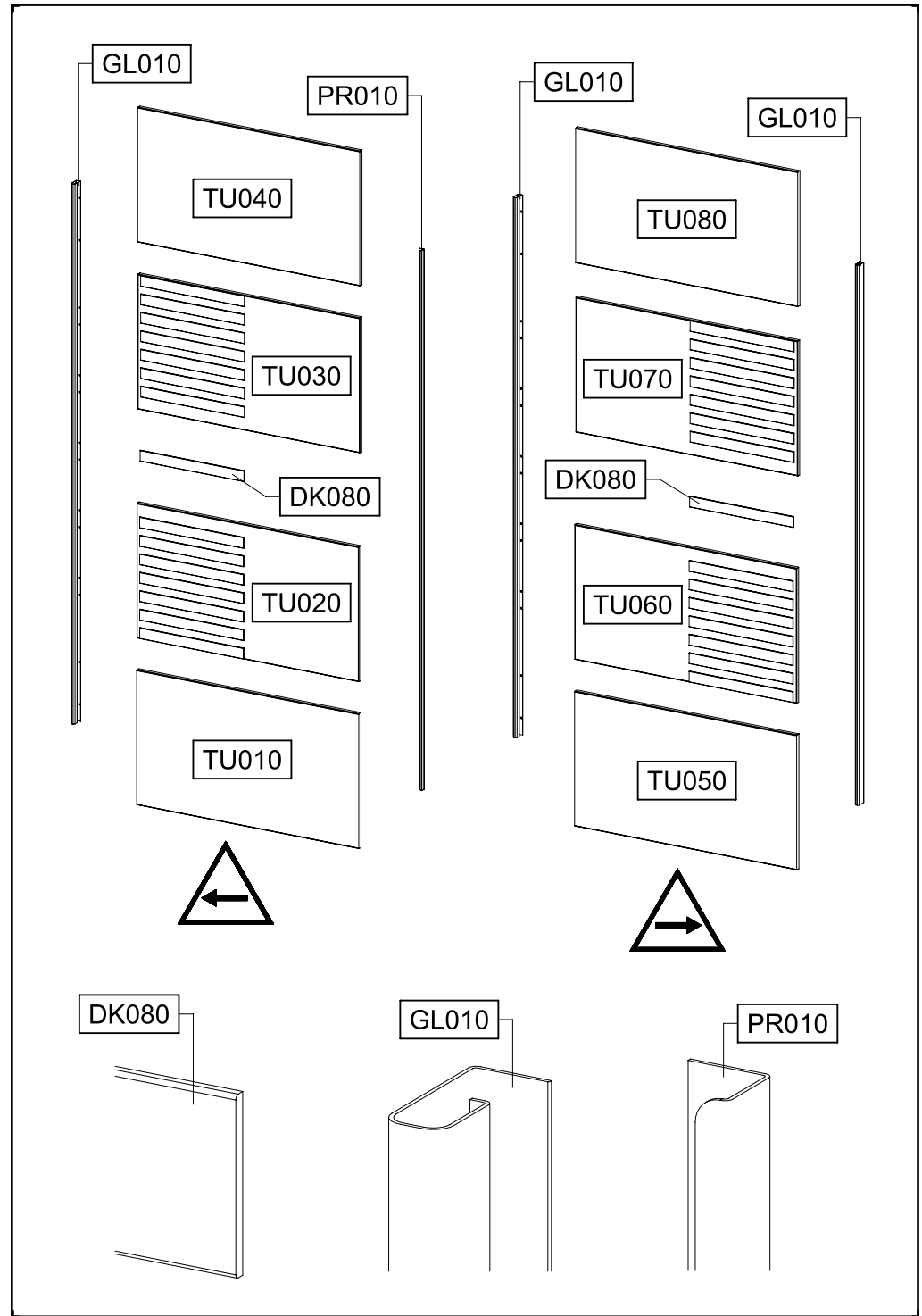
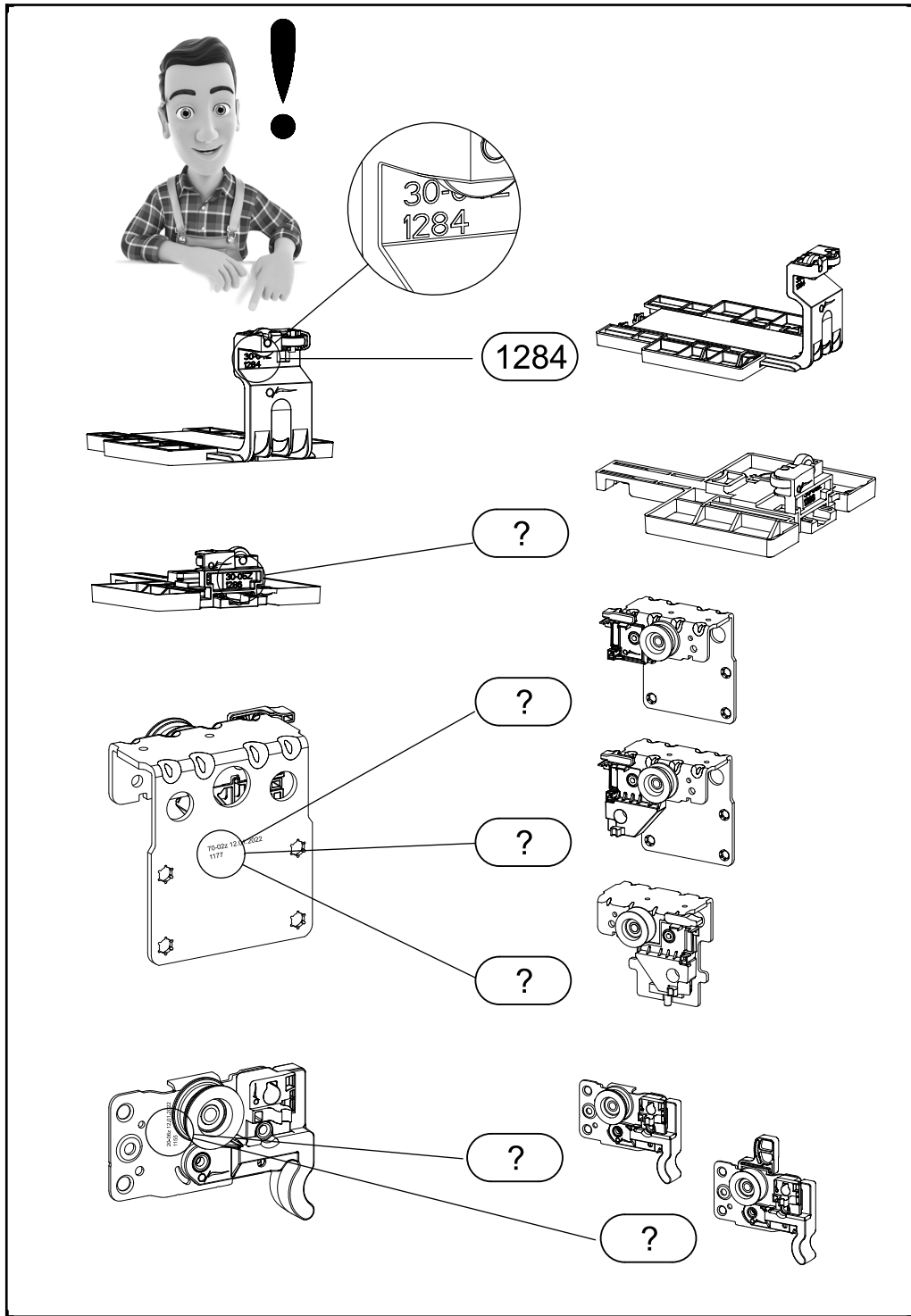
2x

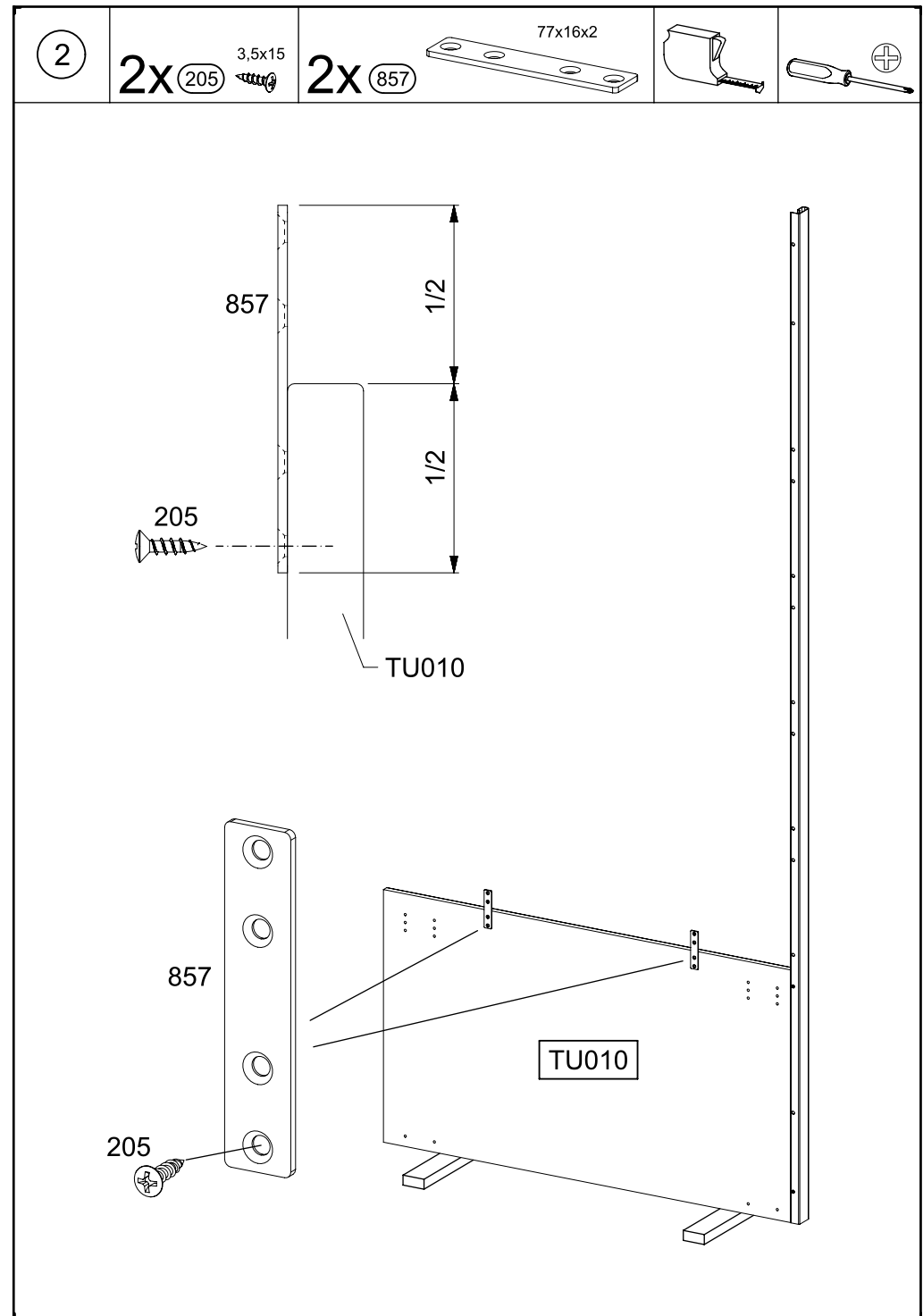
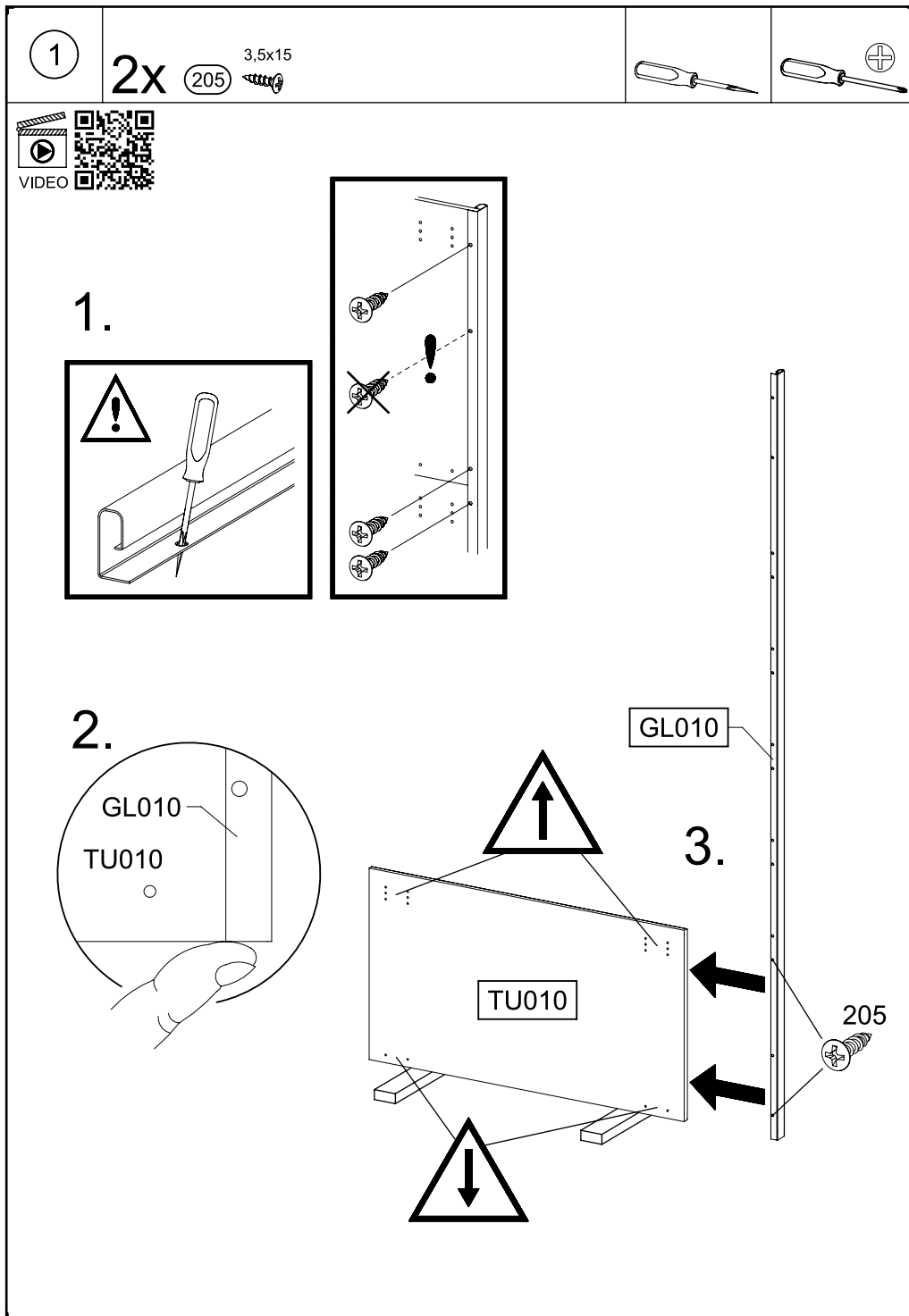


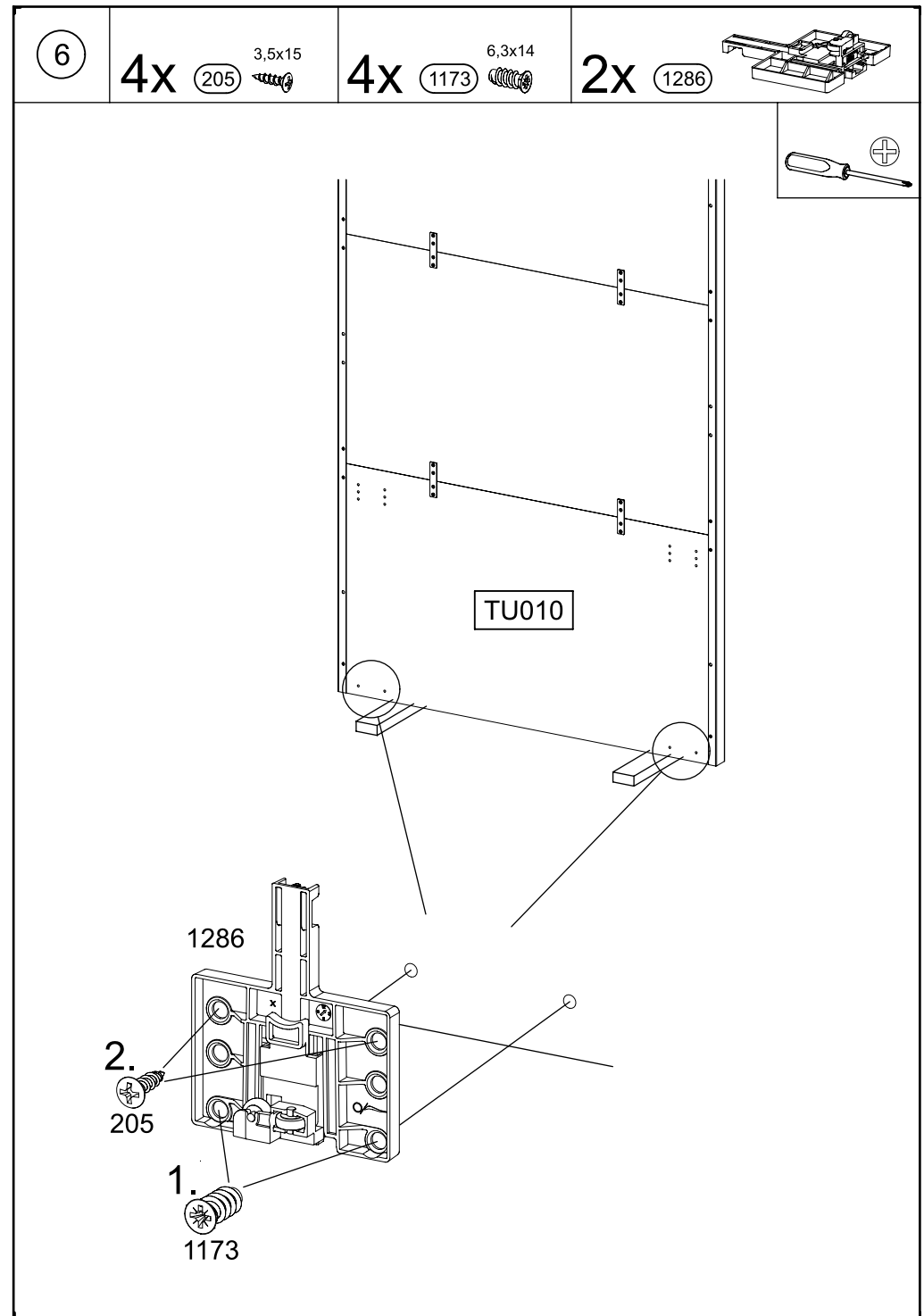
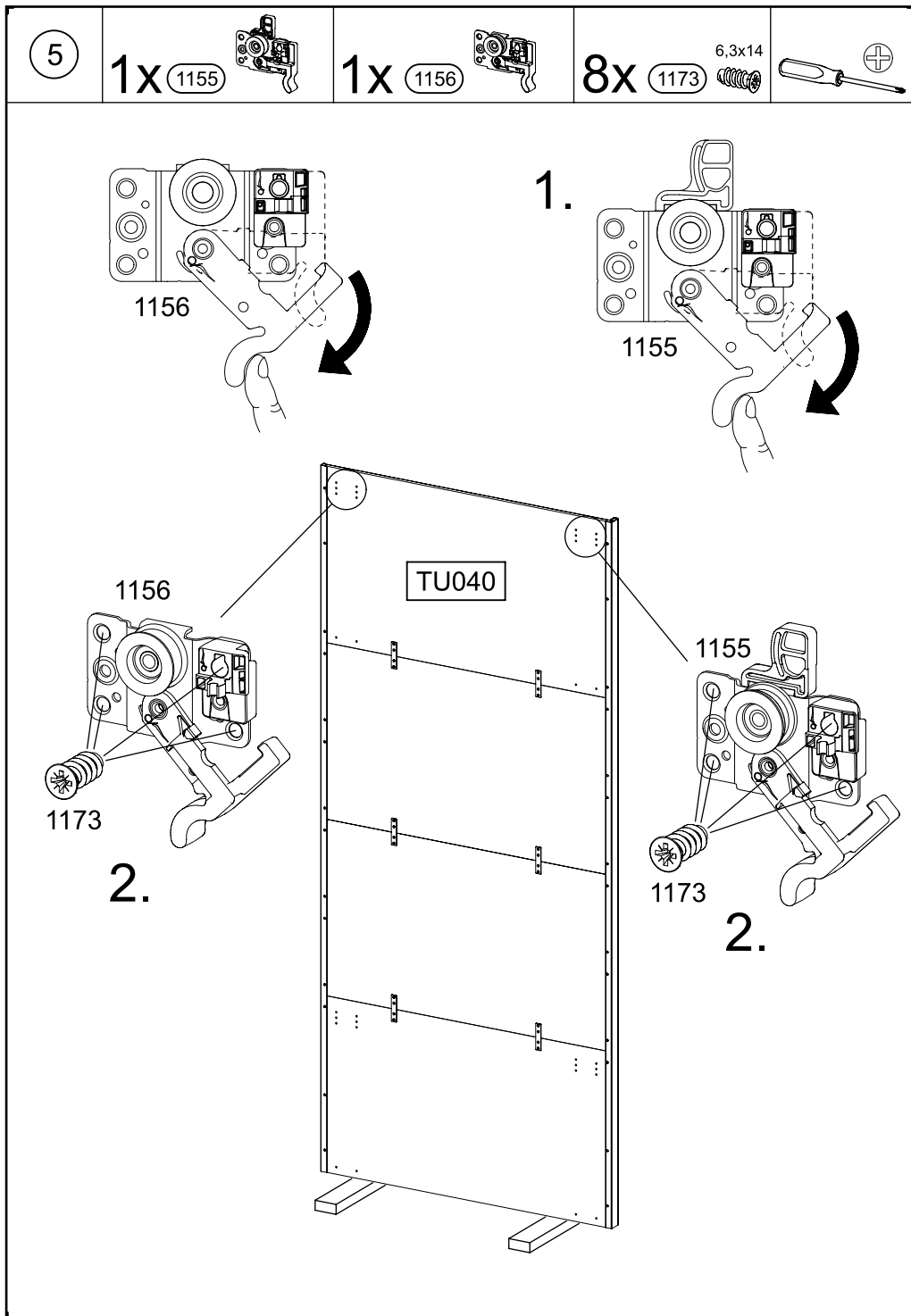
2x



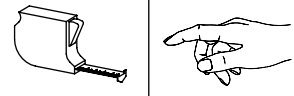
M9932



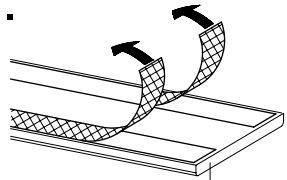




7

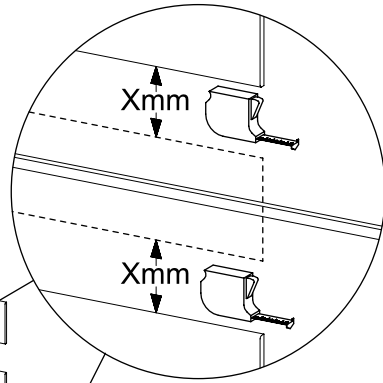


1.

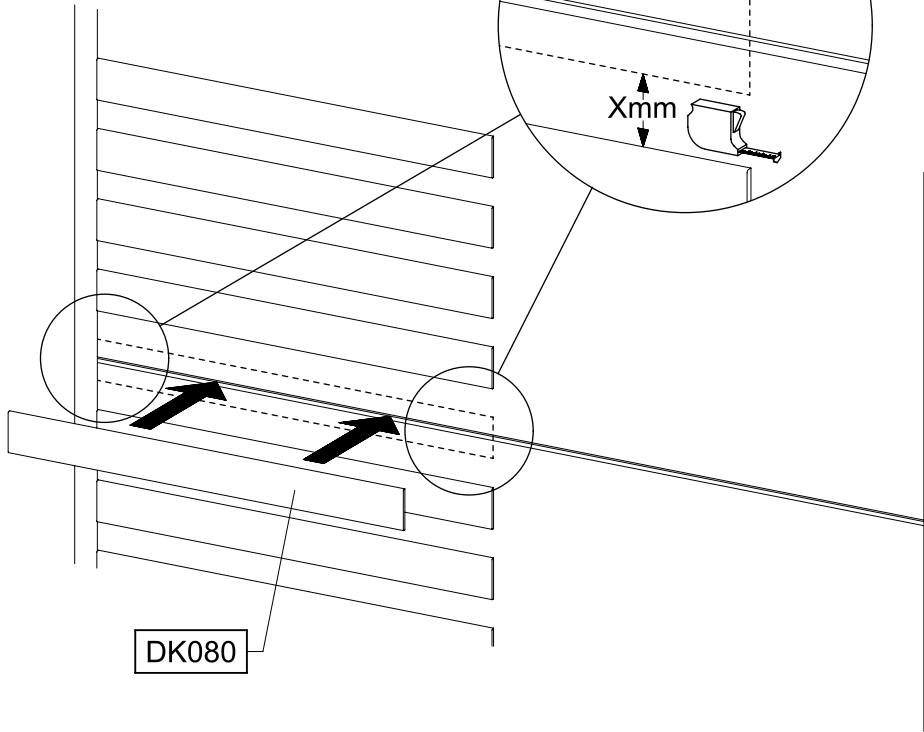


DK080

2.



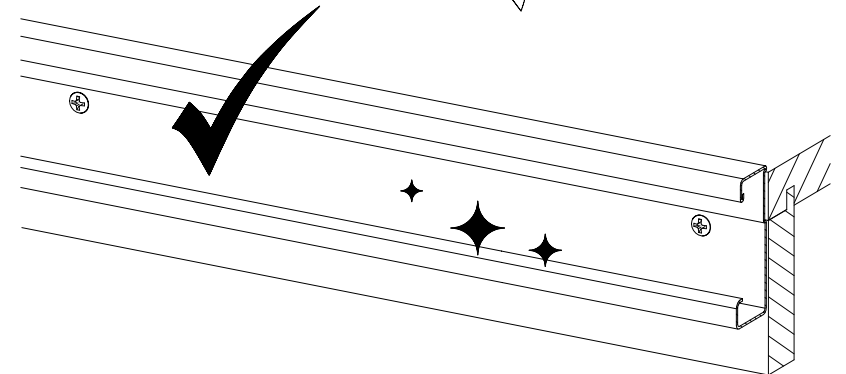
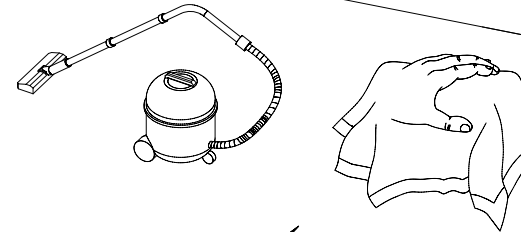
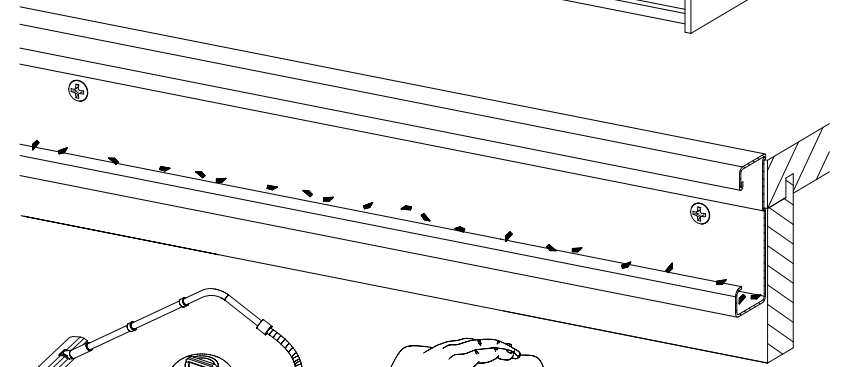
3.



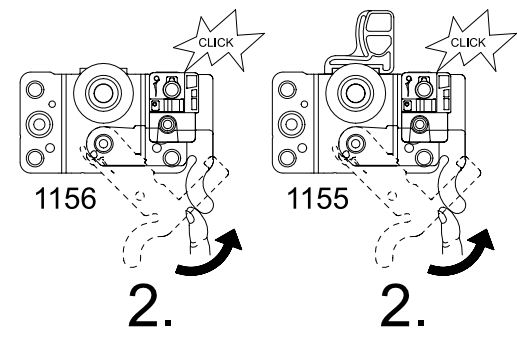
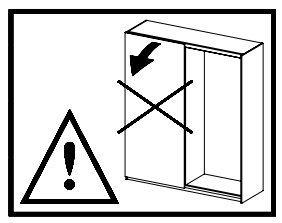
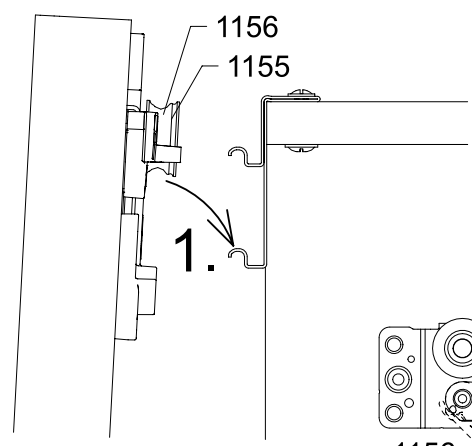
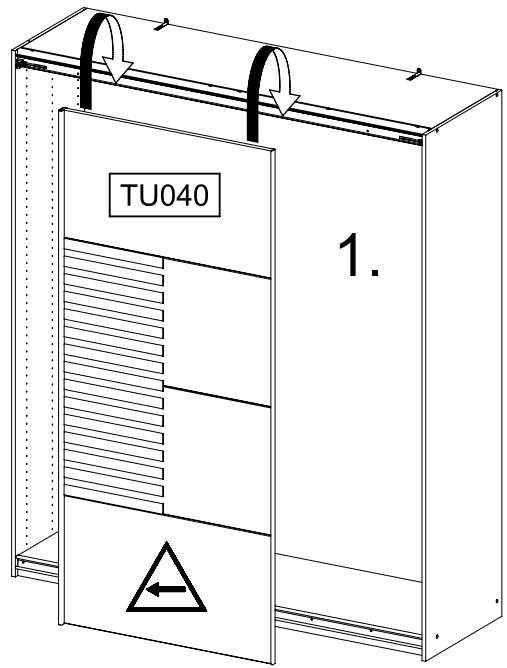
DK080



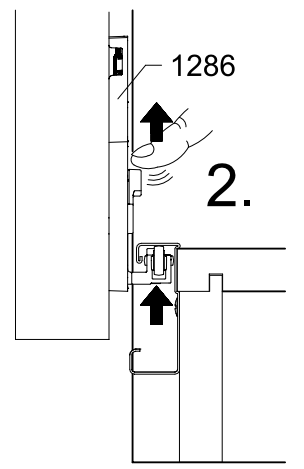
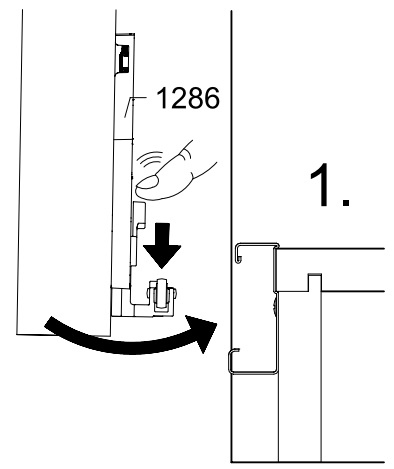
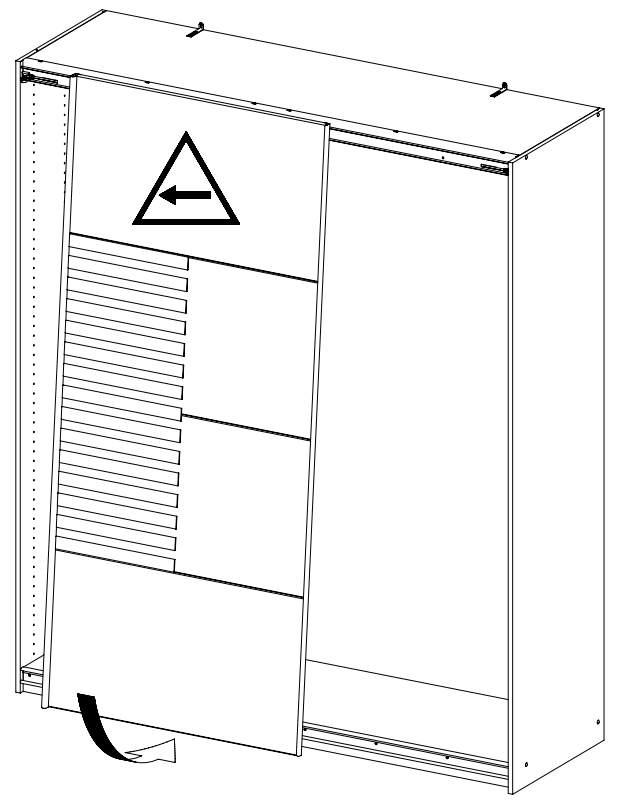
VIDEO



8



9

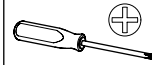
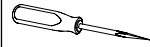


10

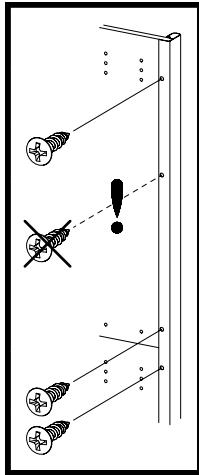
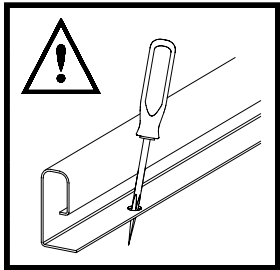
2x

205

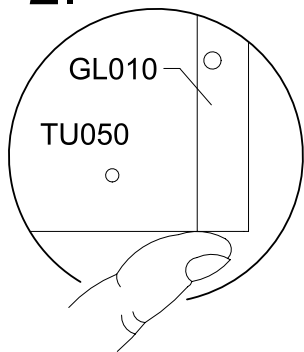
3,5x15



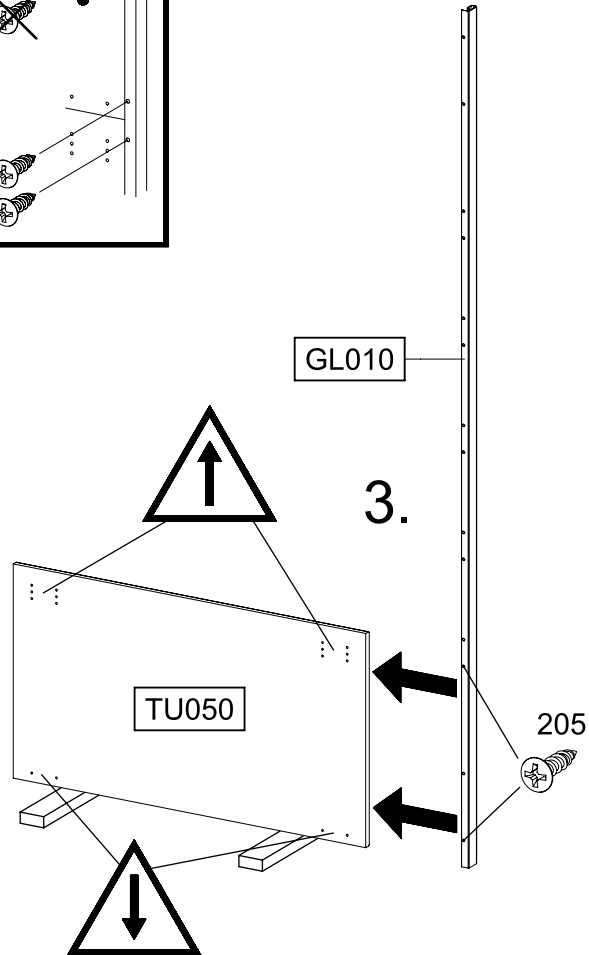
1.



2.



3.



11

2x

205

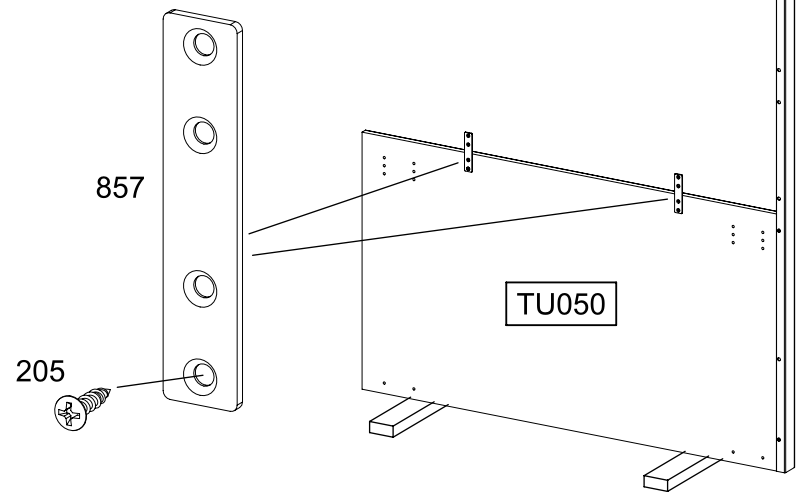
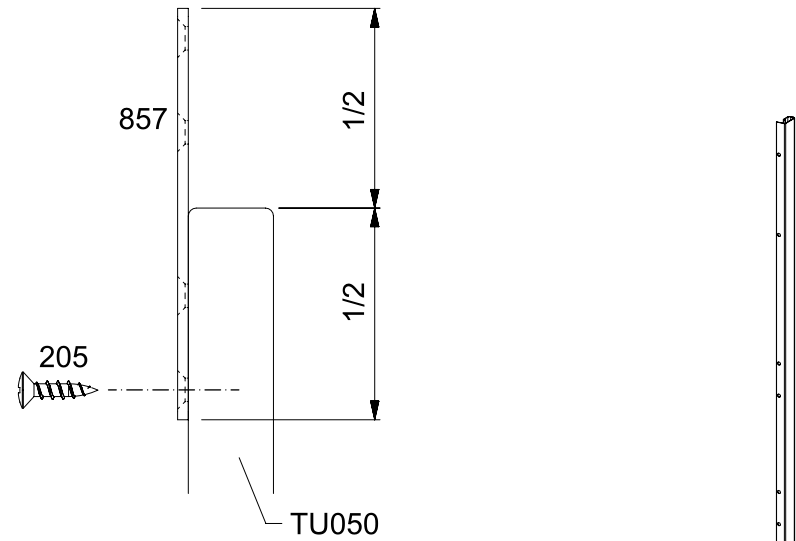
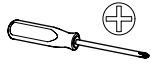
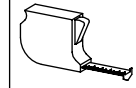
3,5x15

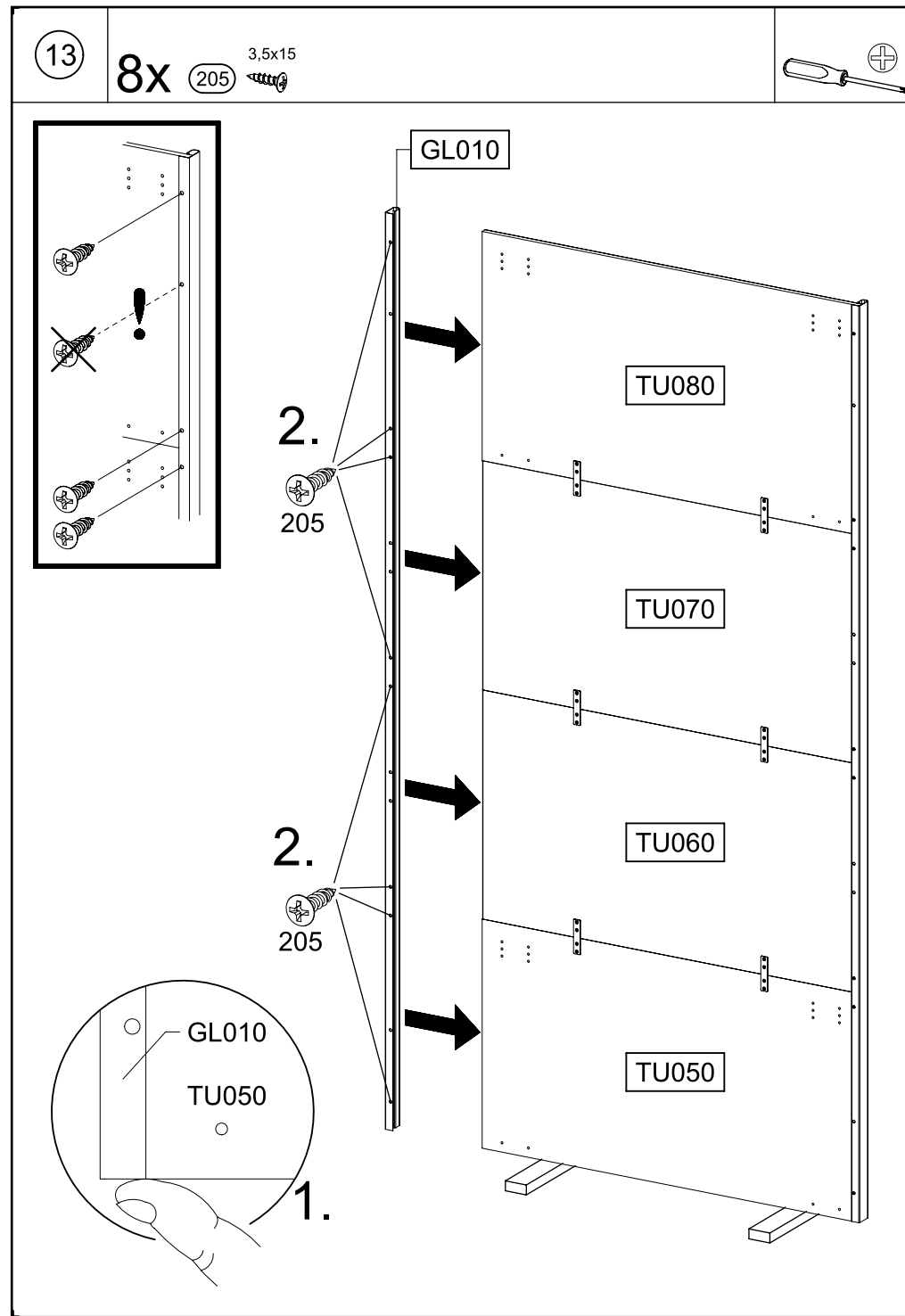
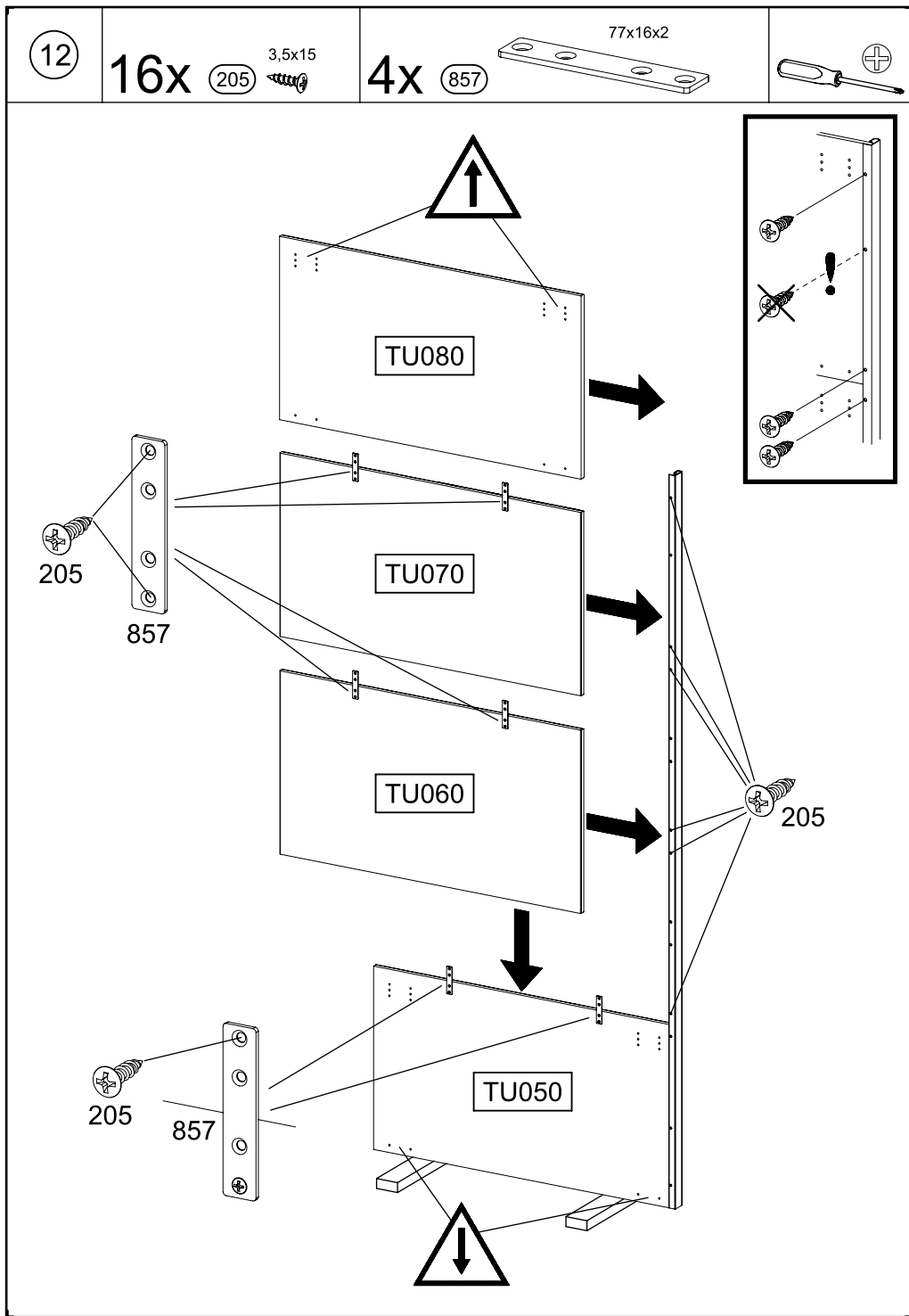


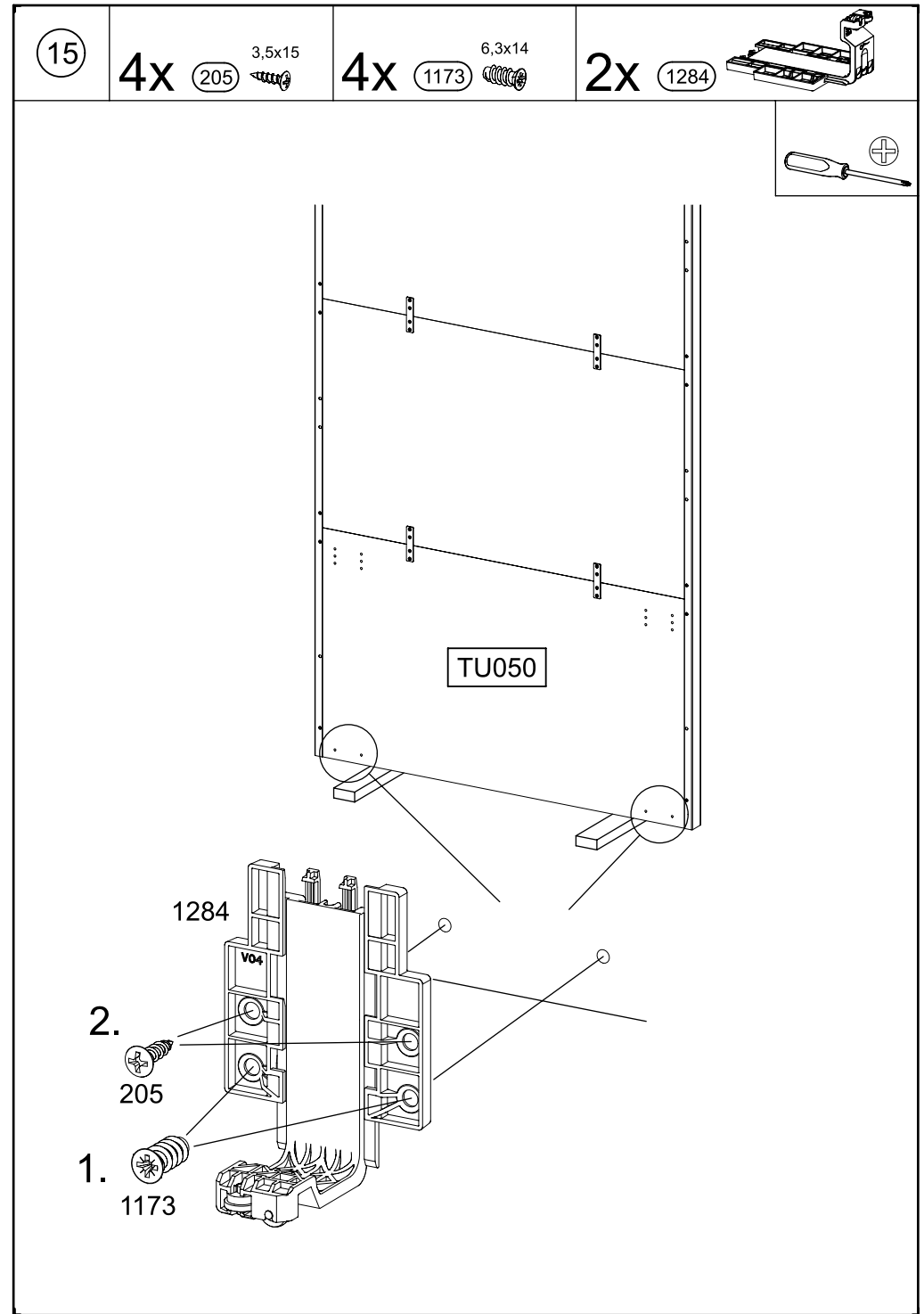
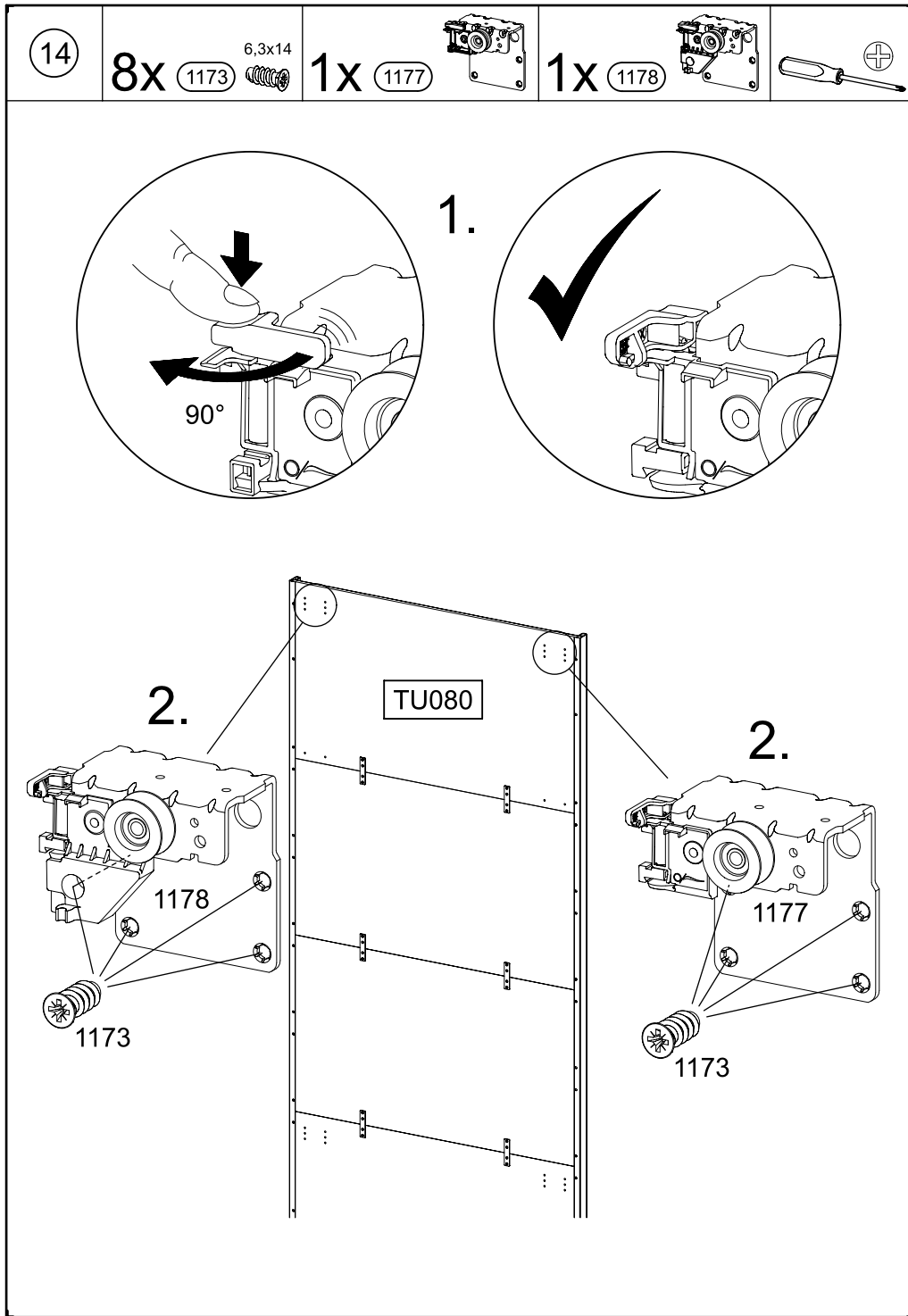
2x

857

77x16x2



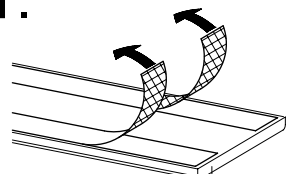




16

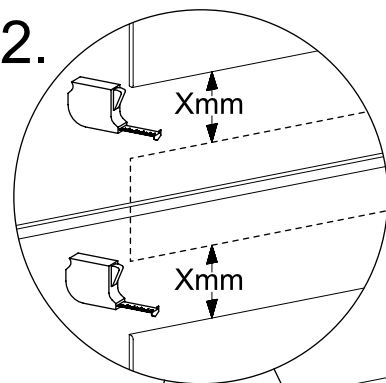


1.

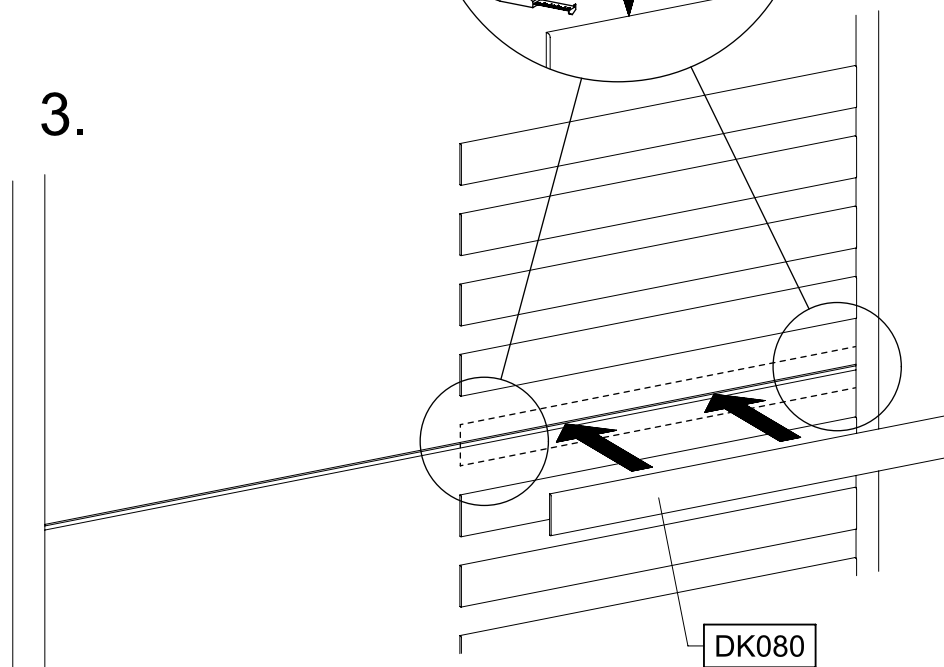


DK080

2.



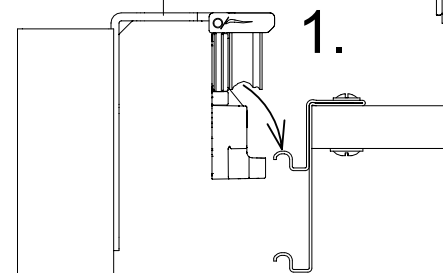
3.



17

1177
1186

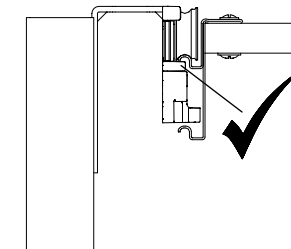
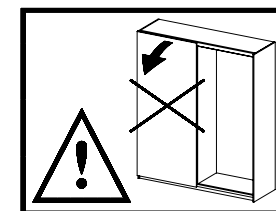
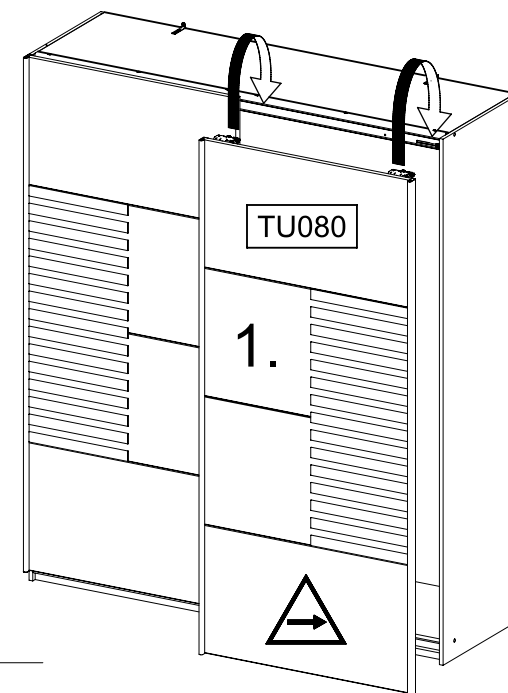
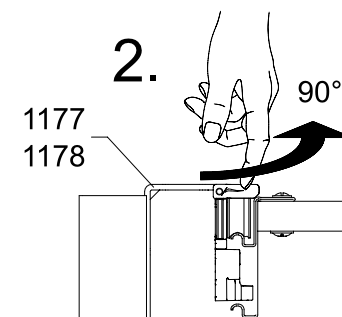
1.



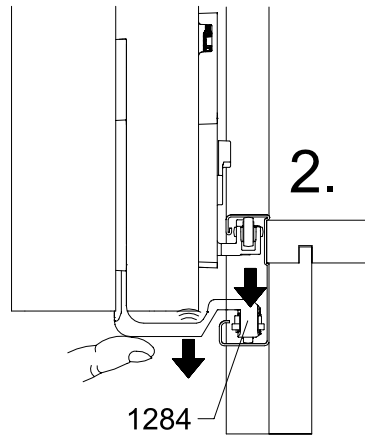
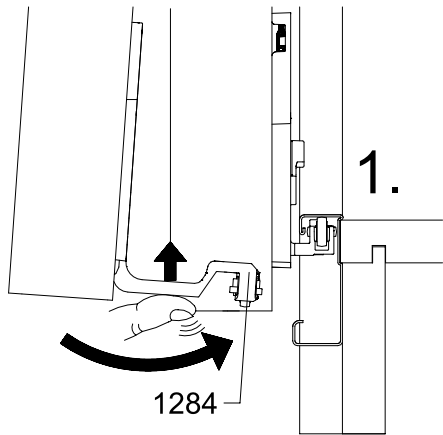
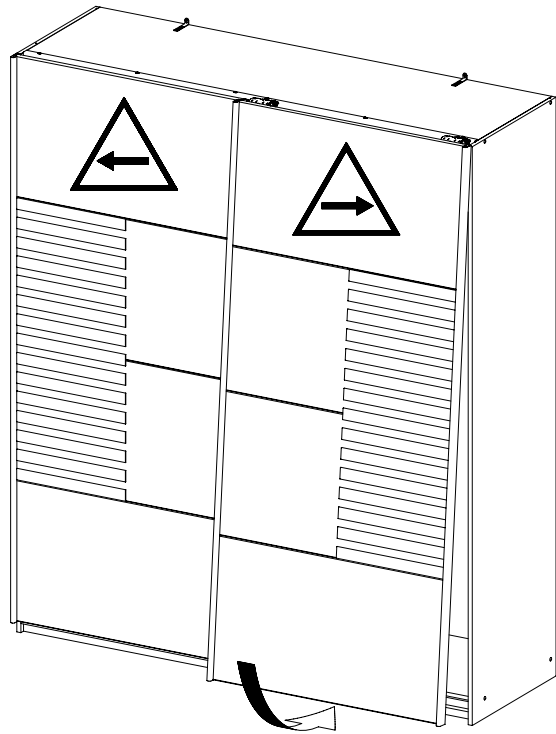
2.

1177
1178

90°



18



19

6x 144 

