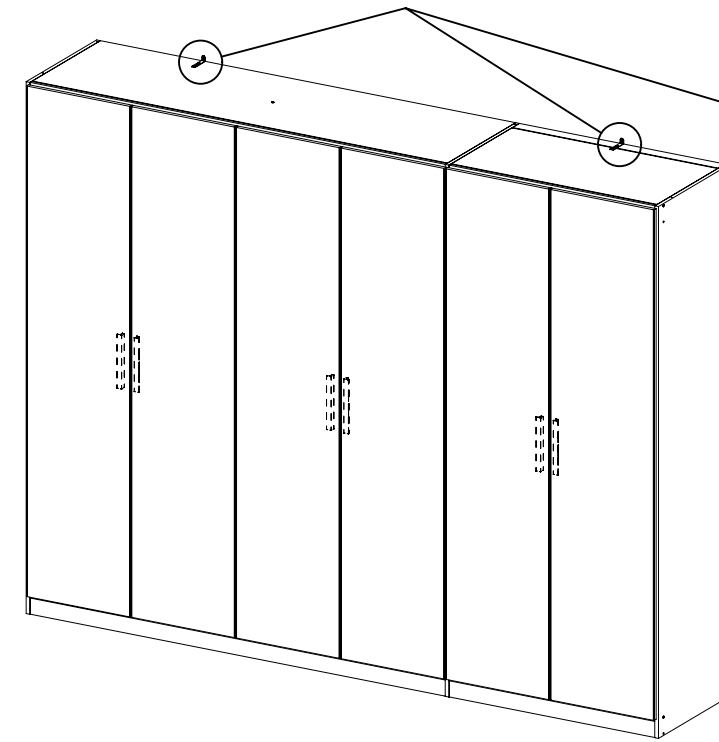
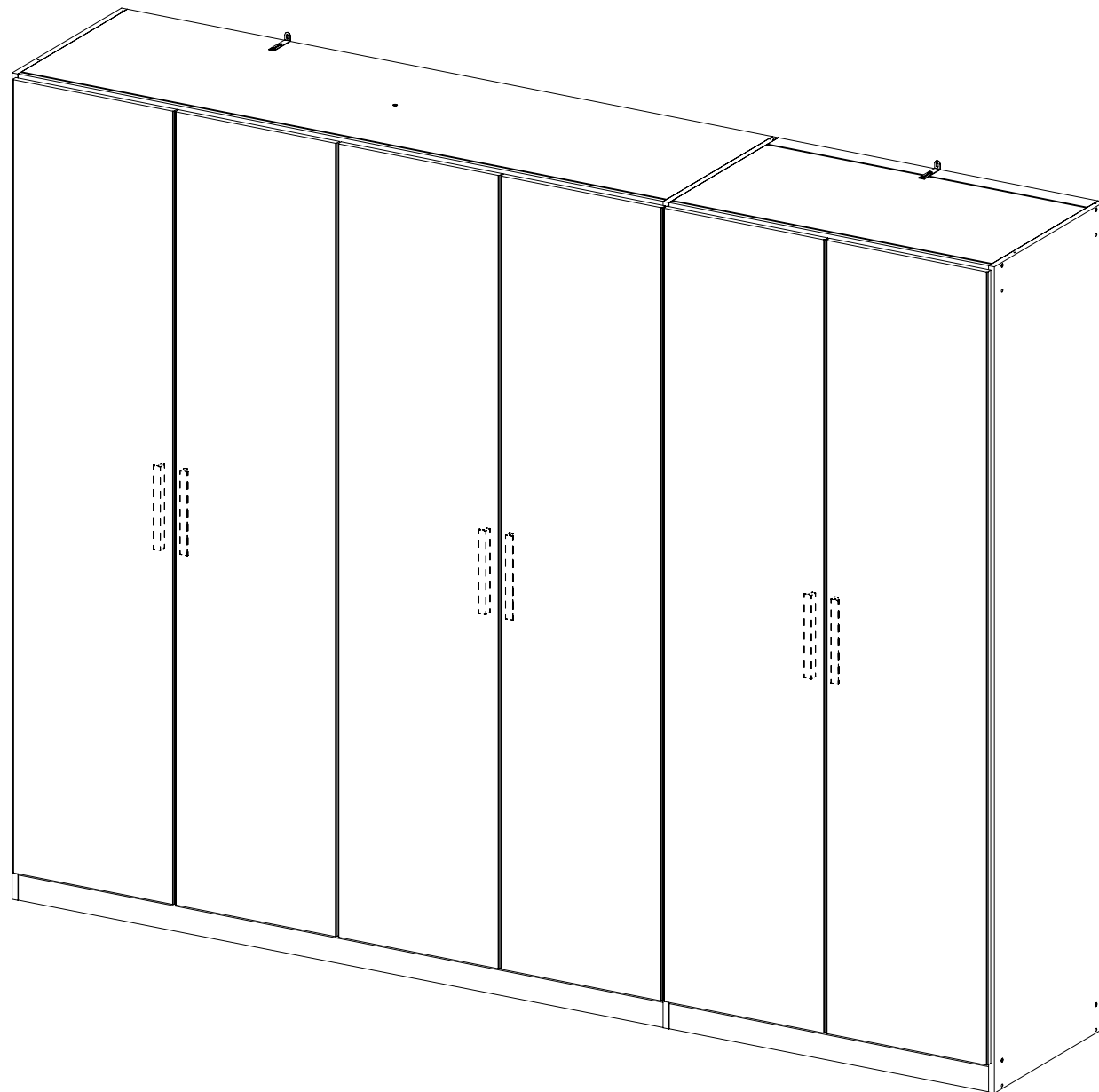
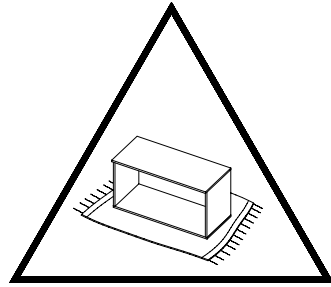
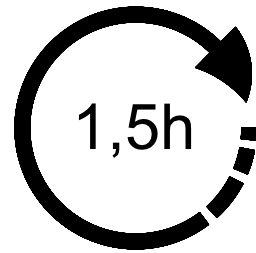
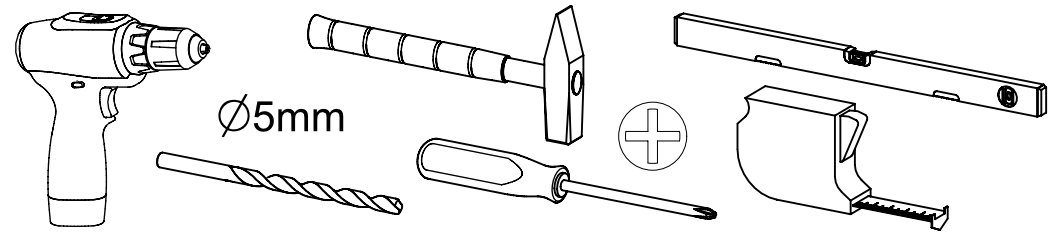
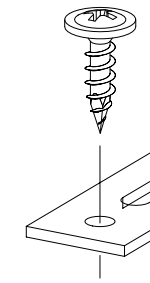


M2807_01

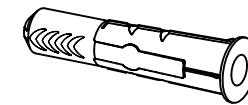
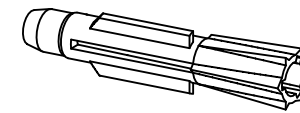
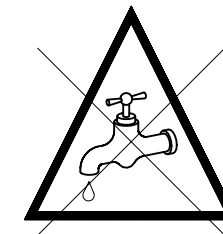
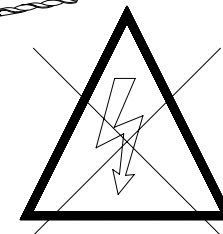
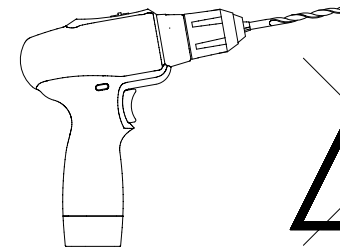
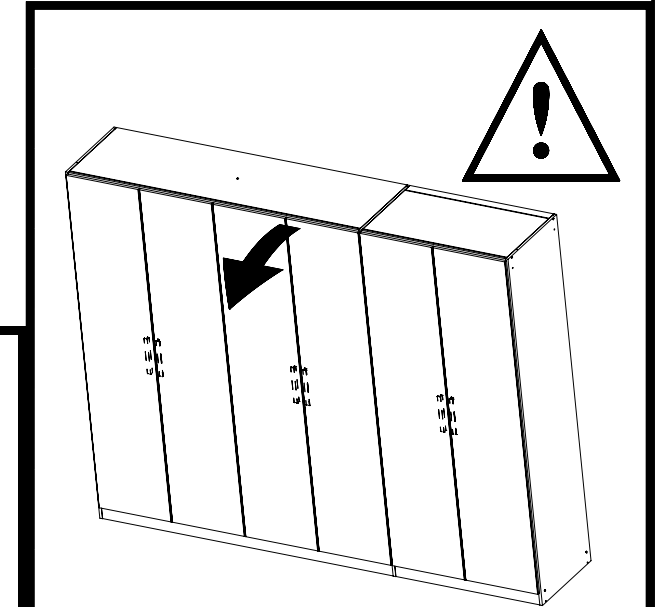
rauch



201
4x15

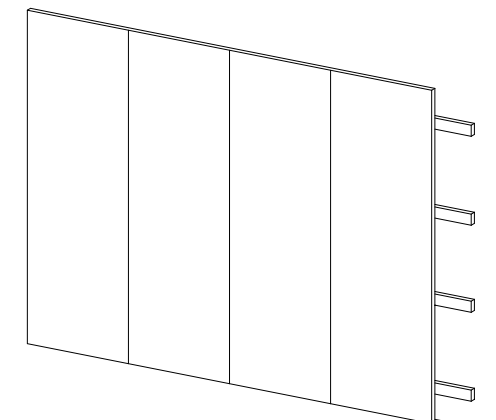
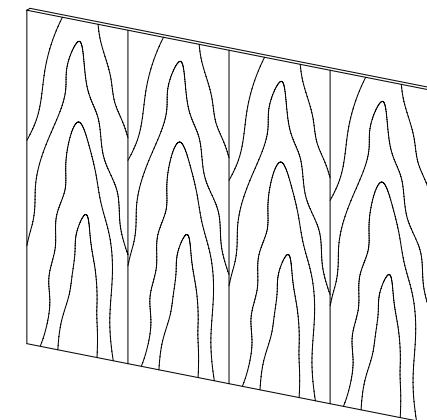
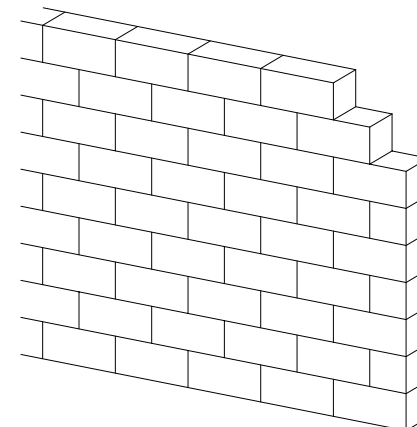
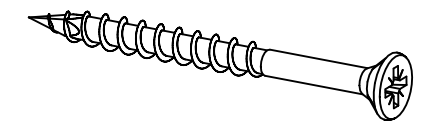
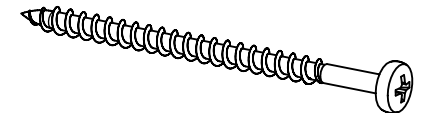


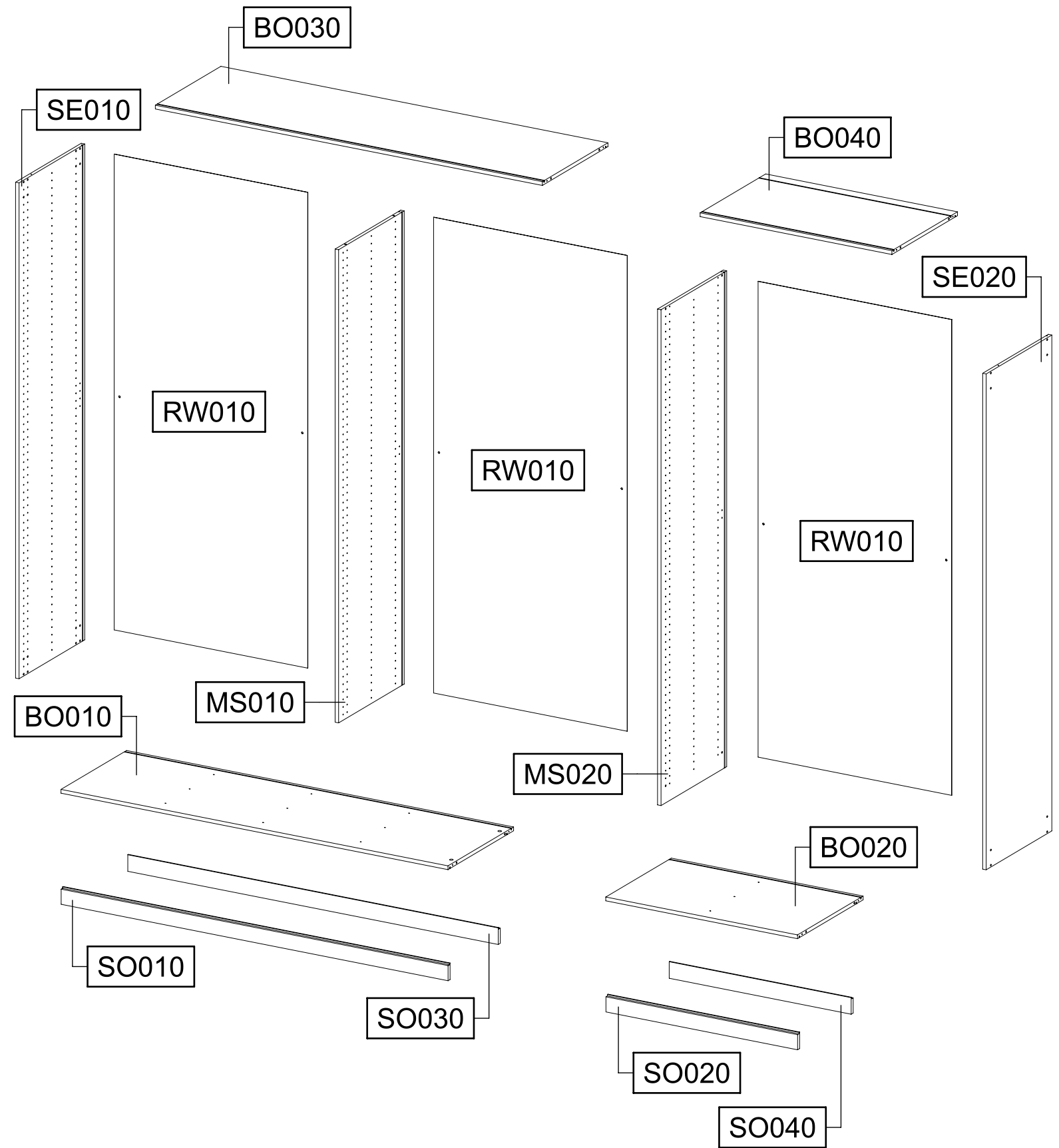
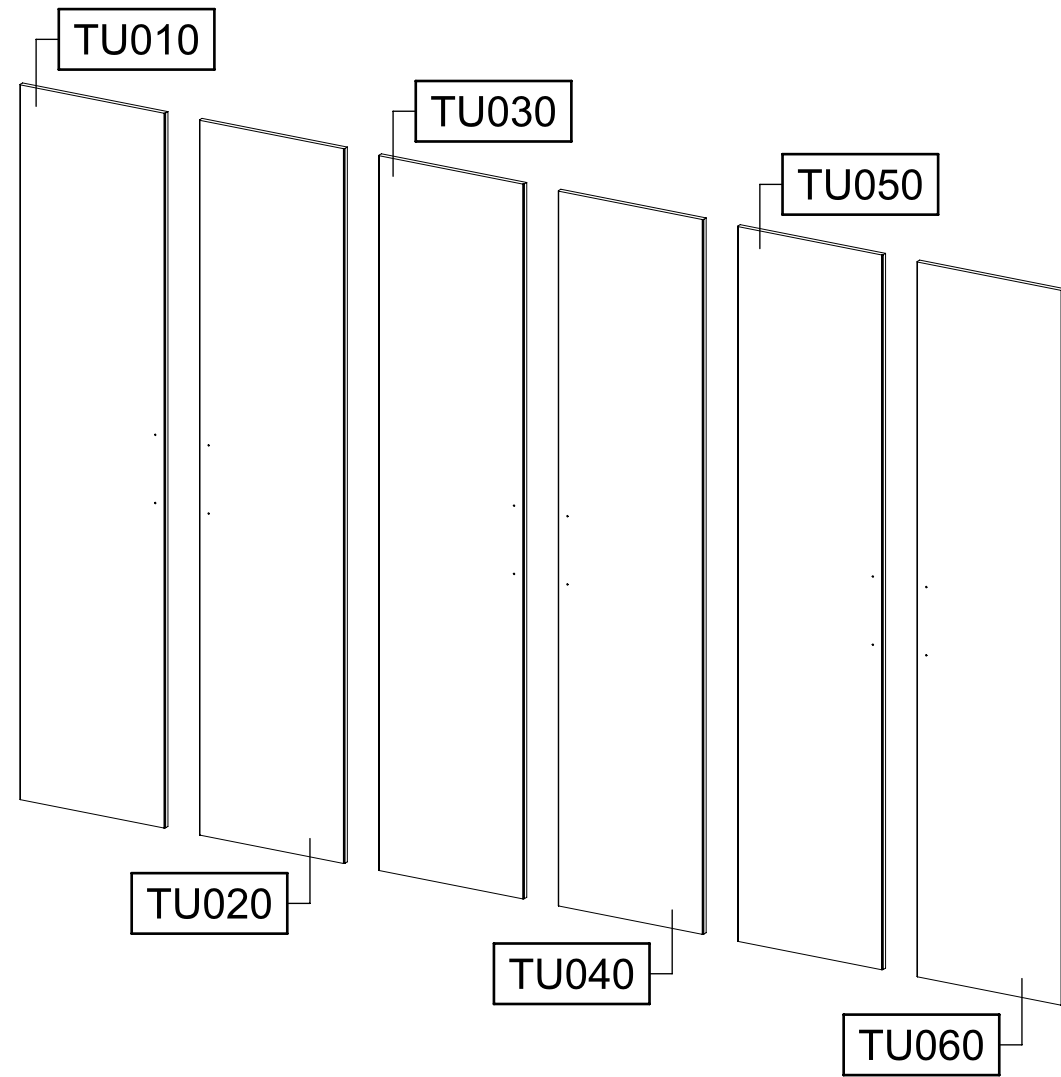
68
77x15x22

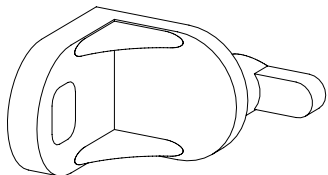
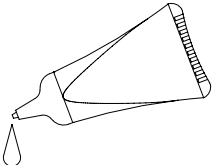
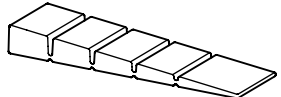

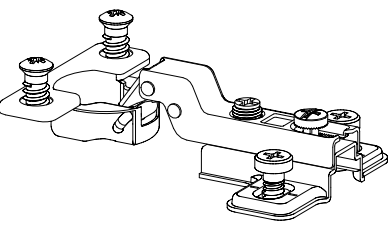
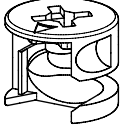
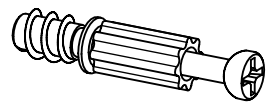
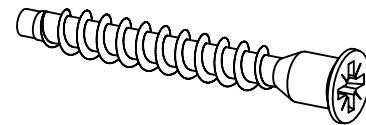
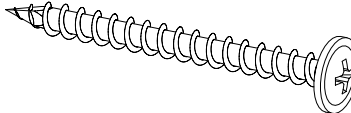
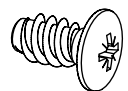
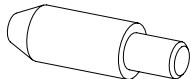
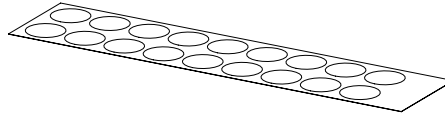
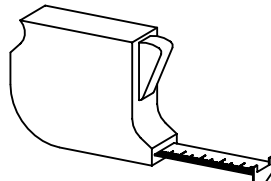
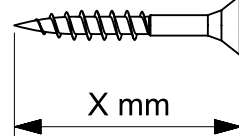
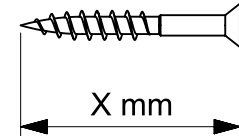
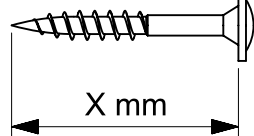


?

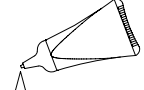
ØXmm





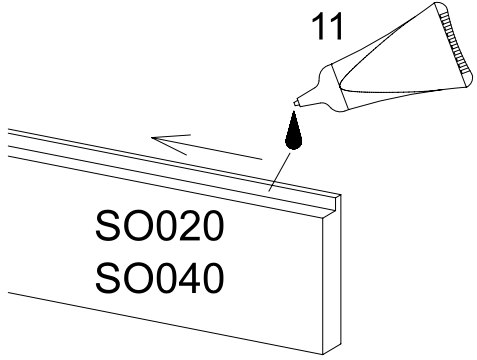
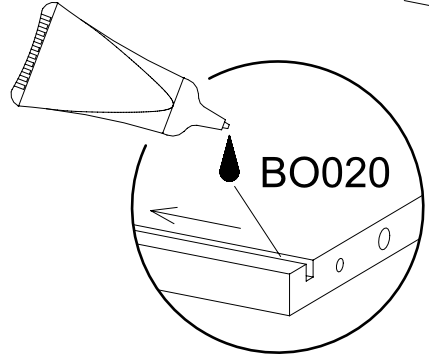



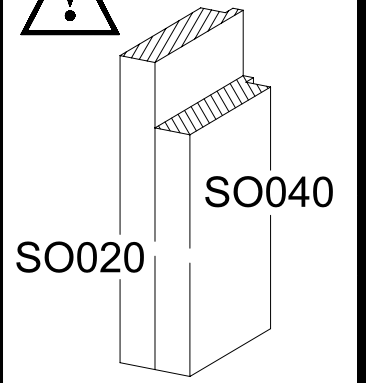
6x 1 	11 	3x 55x16x6,2 12 
8x 8x30 18 	18x-24x 116 	
4x 173 	4x 183 	12x 6,3x50 233 
1x 4,5x50 296 	6x 6,5x12 779 	4x 807 
1x RE010 		
  X mm  X mm  X mm		

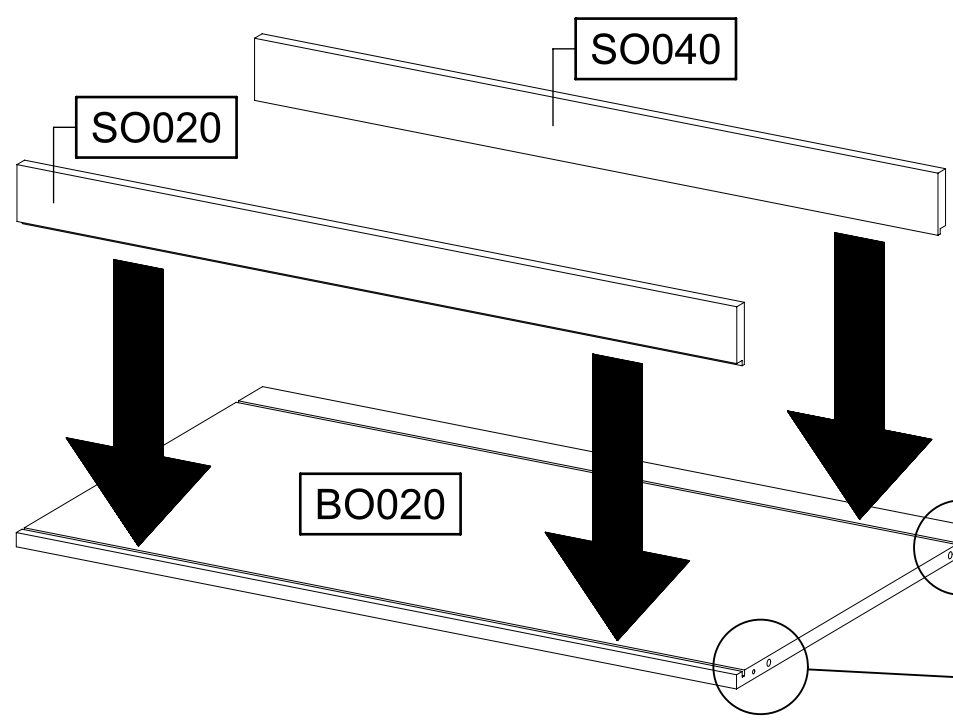
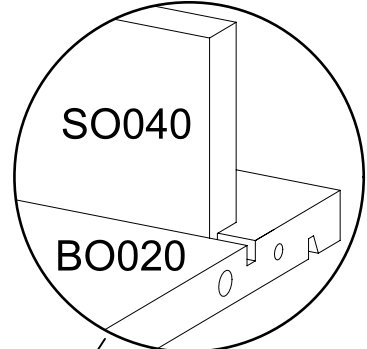
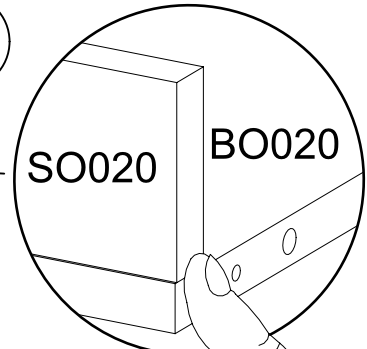
1

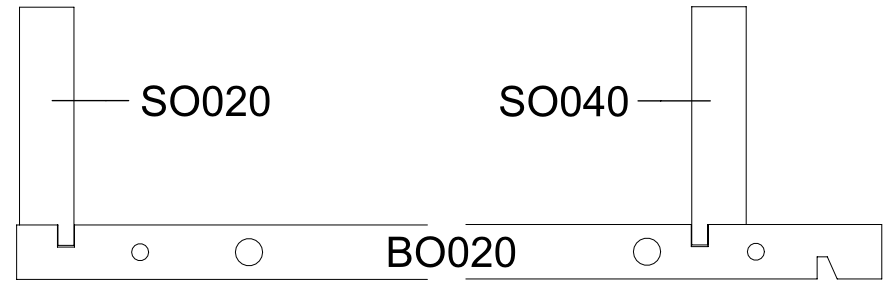
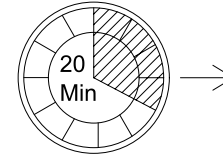
11 

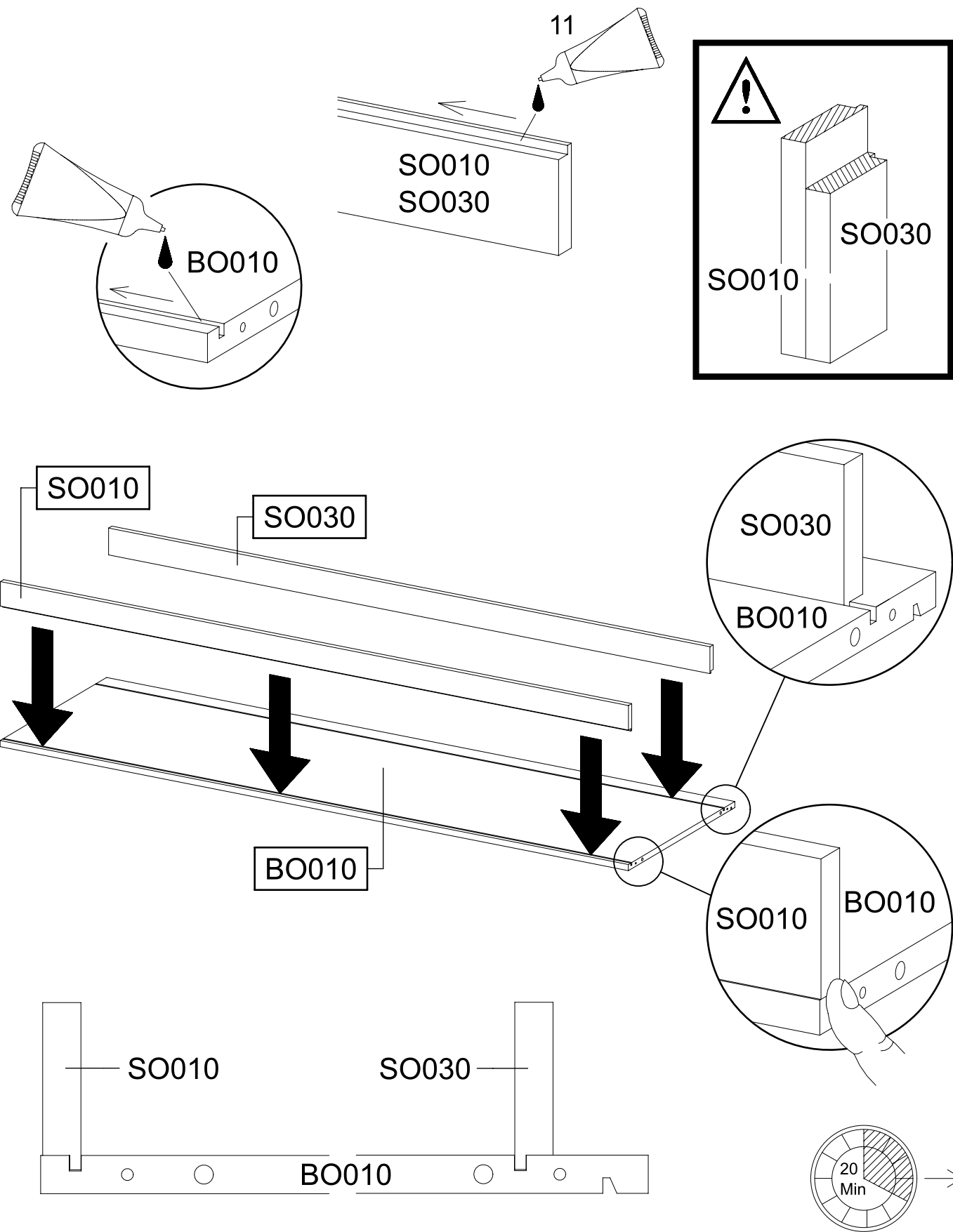
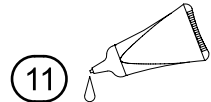



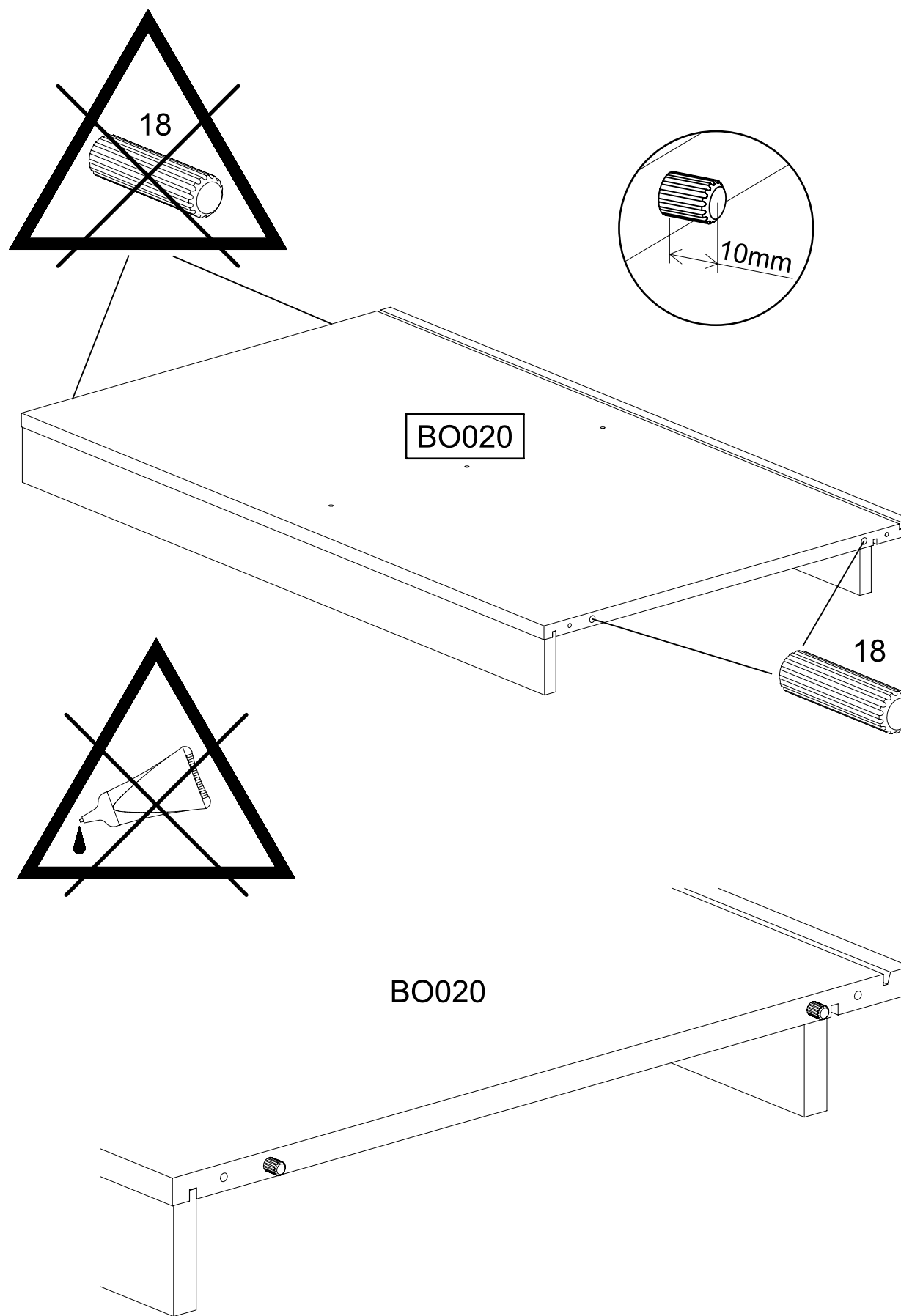
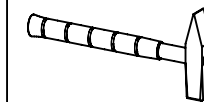



2



3

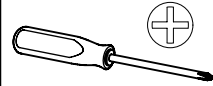
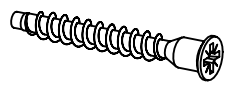
2x 18 8x30



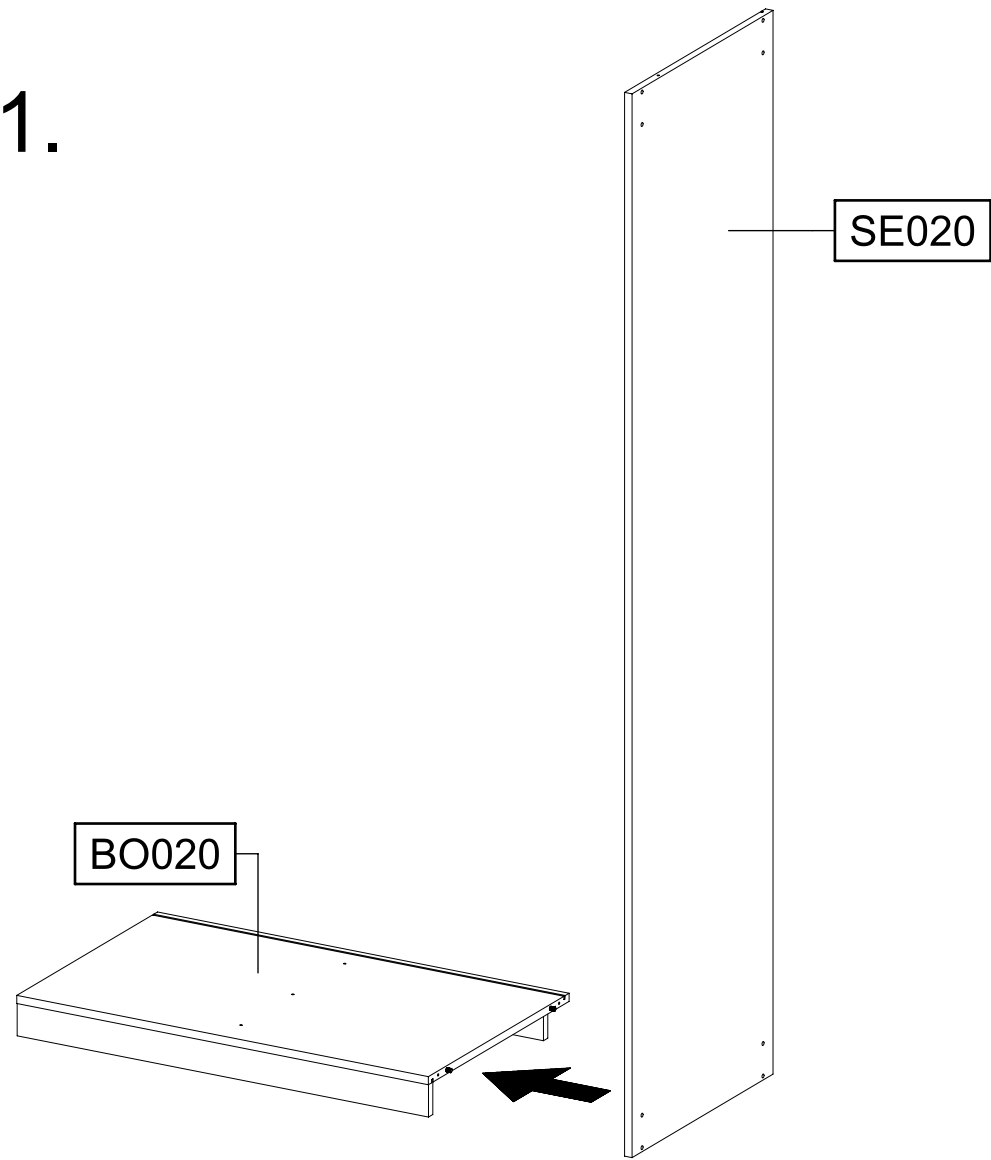
4

2x (233)

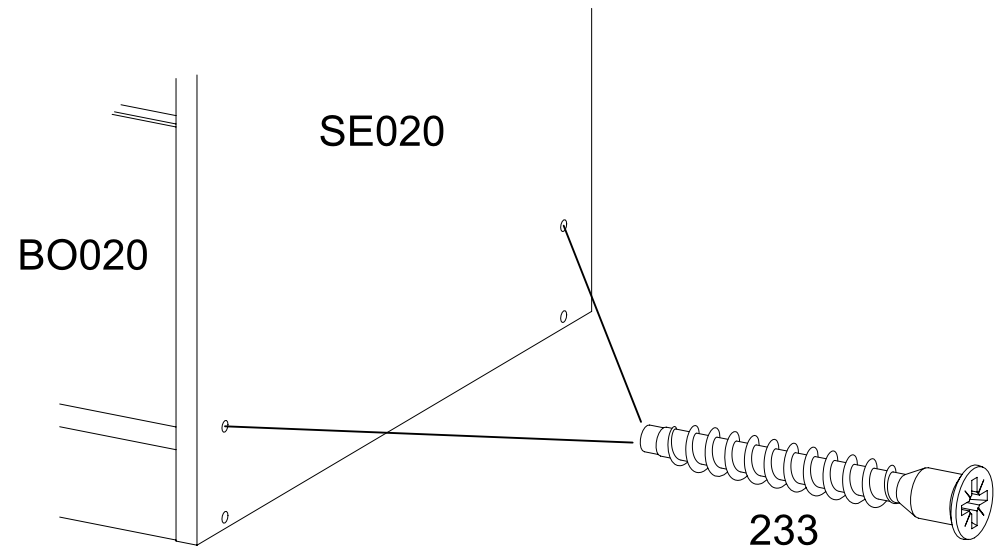
6,3x50



1.

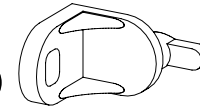


2.



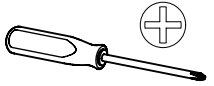
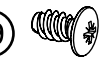
5

1x (1)

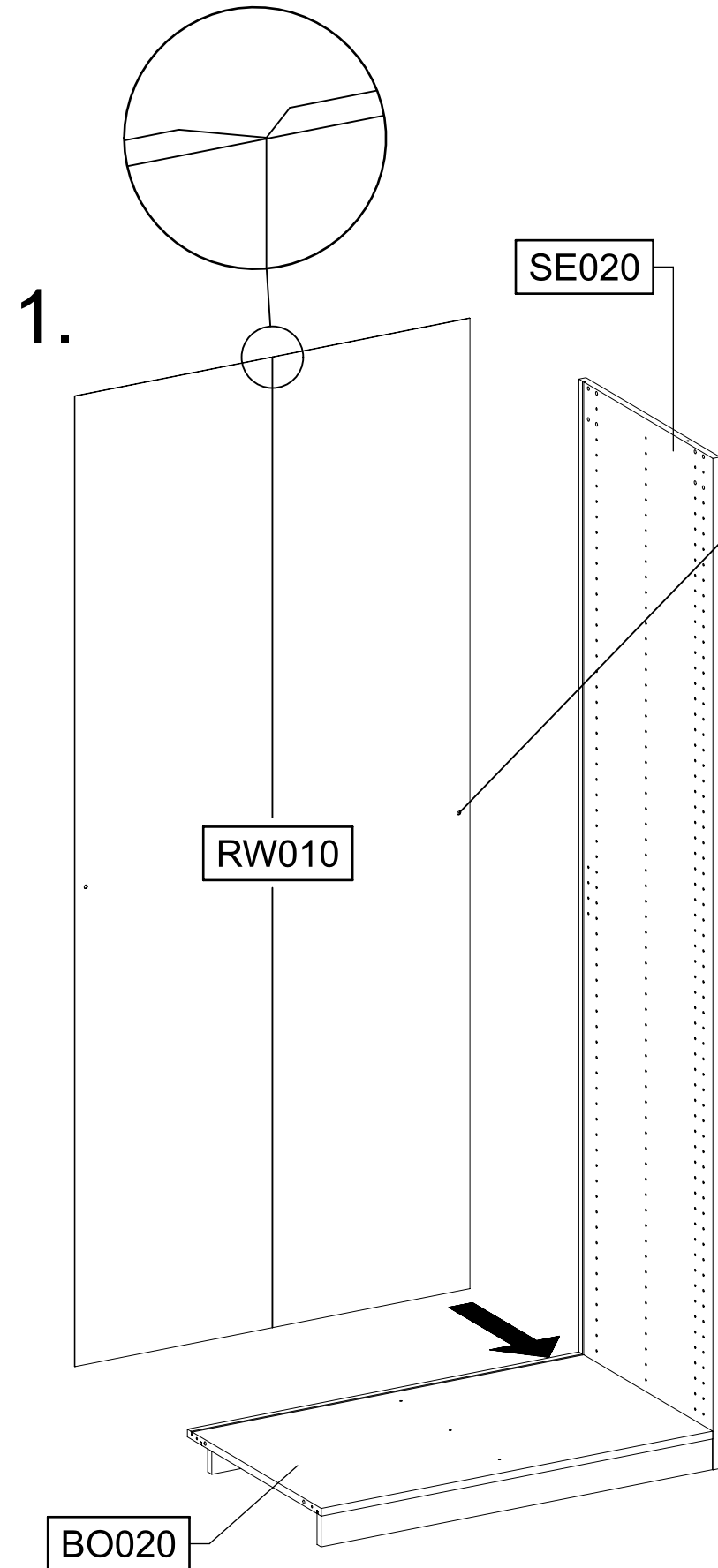


1x (779)

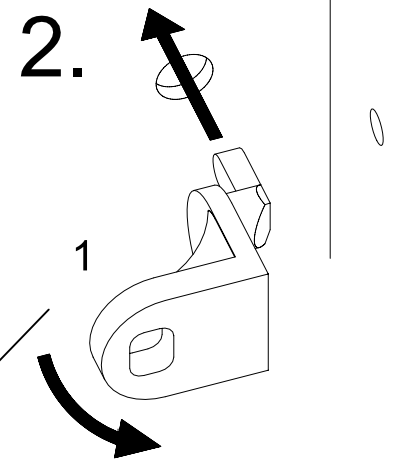
6,5x12



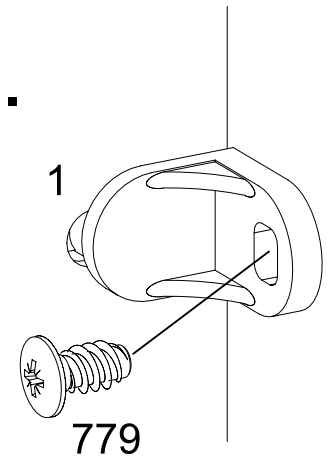
1.



2.



3.

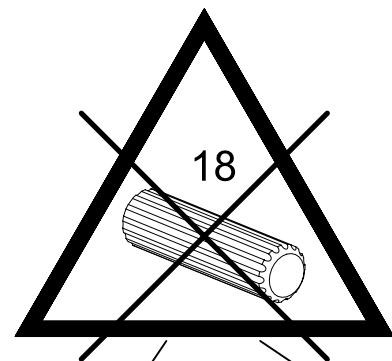
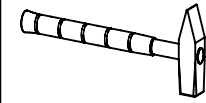


6

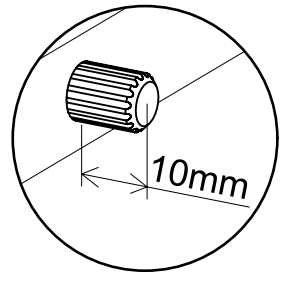
2x

18

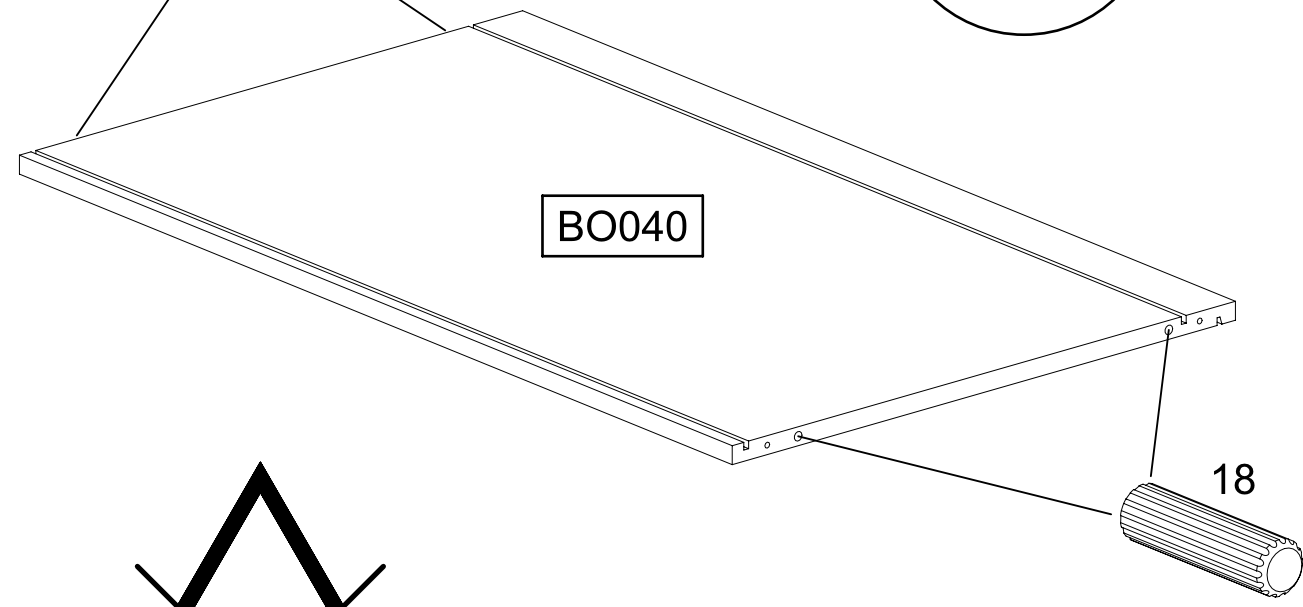
8x30



18

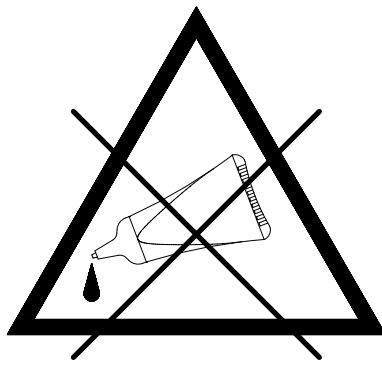


10mm

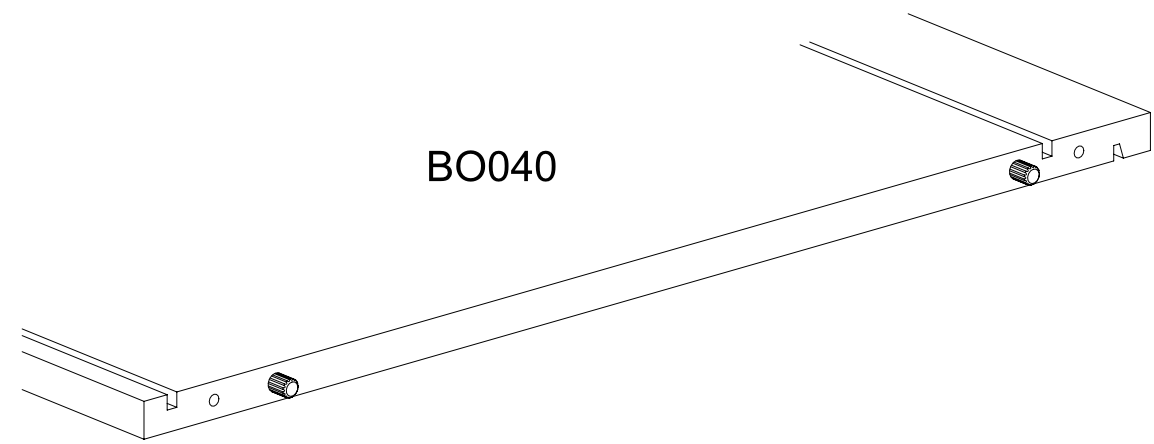


BO040

18



BO040

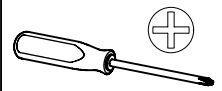


7

2x

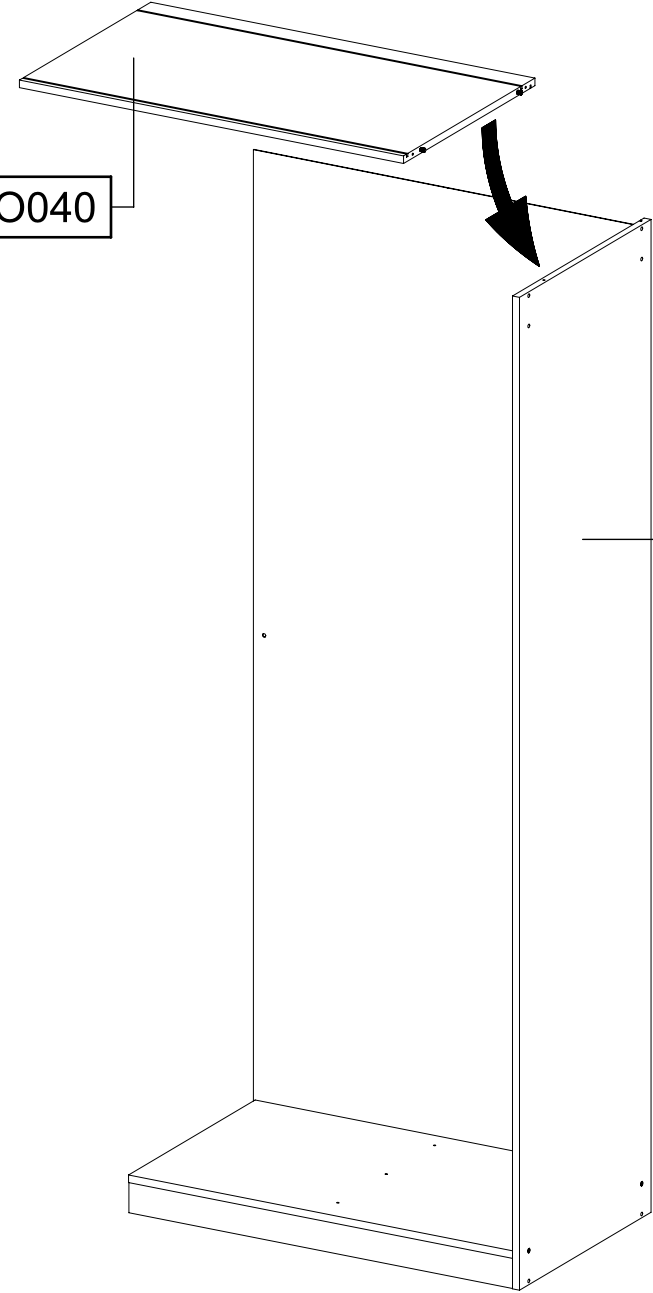
233

6,3x50



1.

BO040



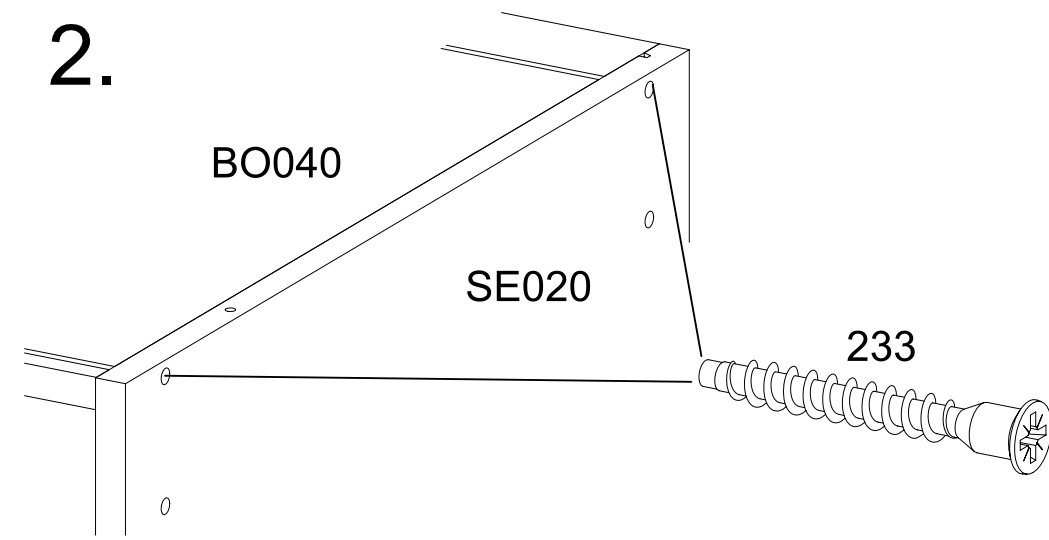
SE020

2.

BO040

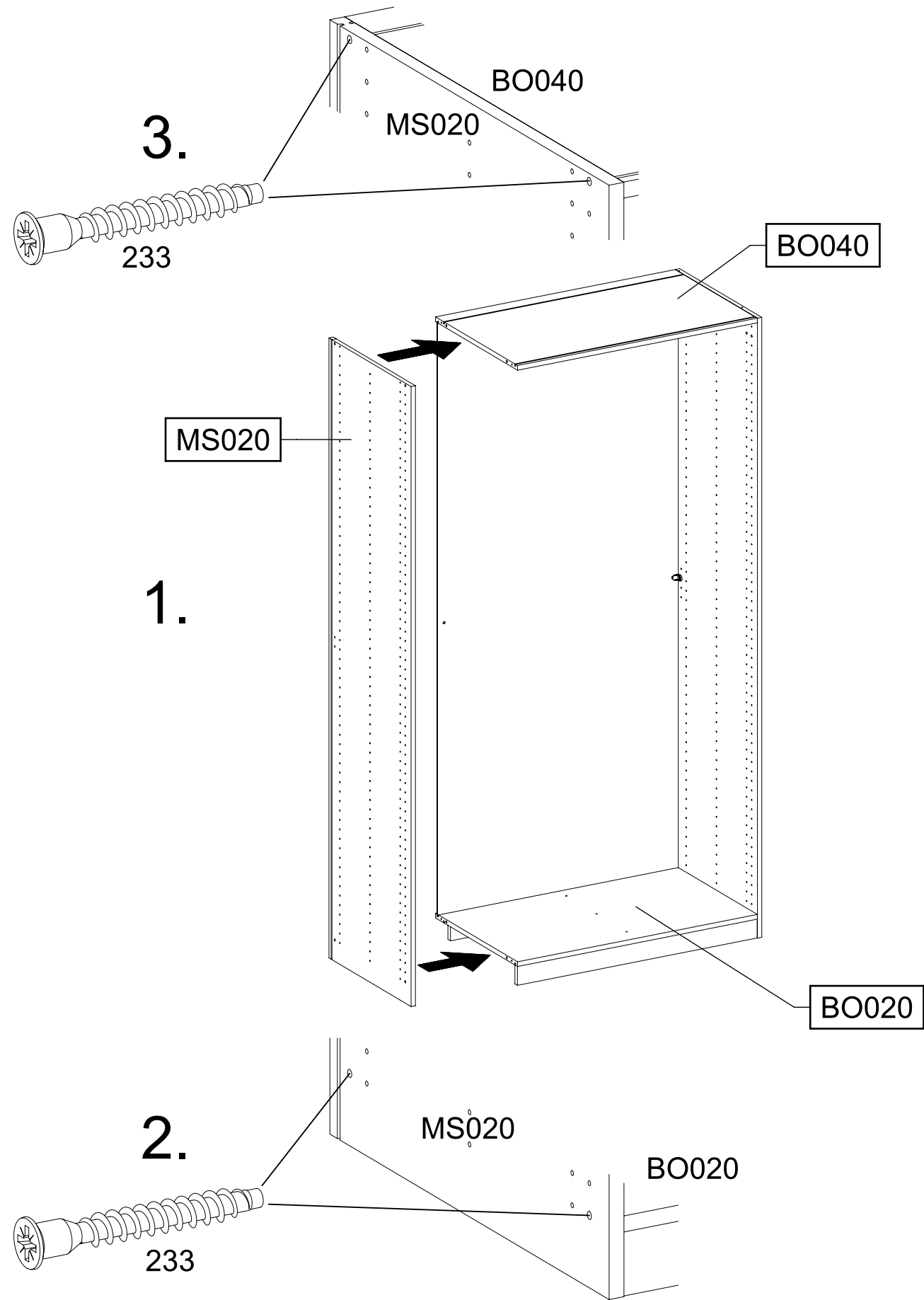
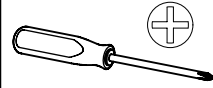
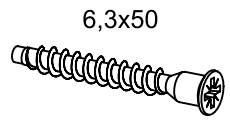
SE020

233



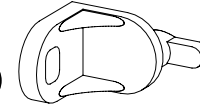
8

4x 233

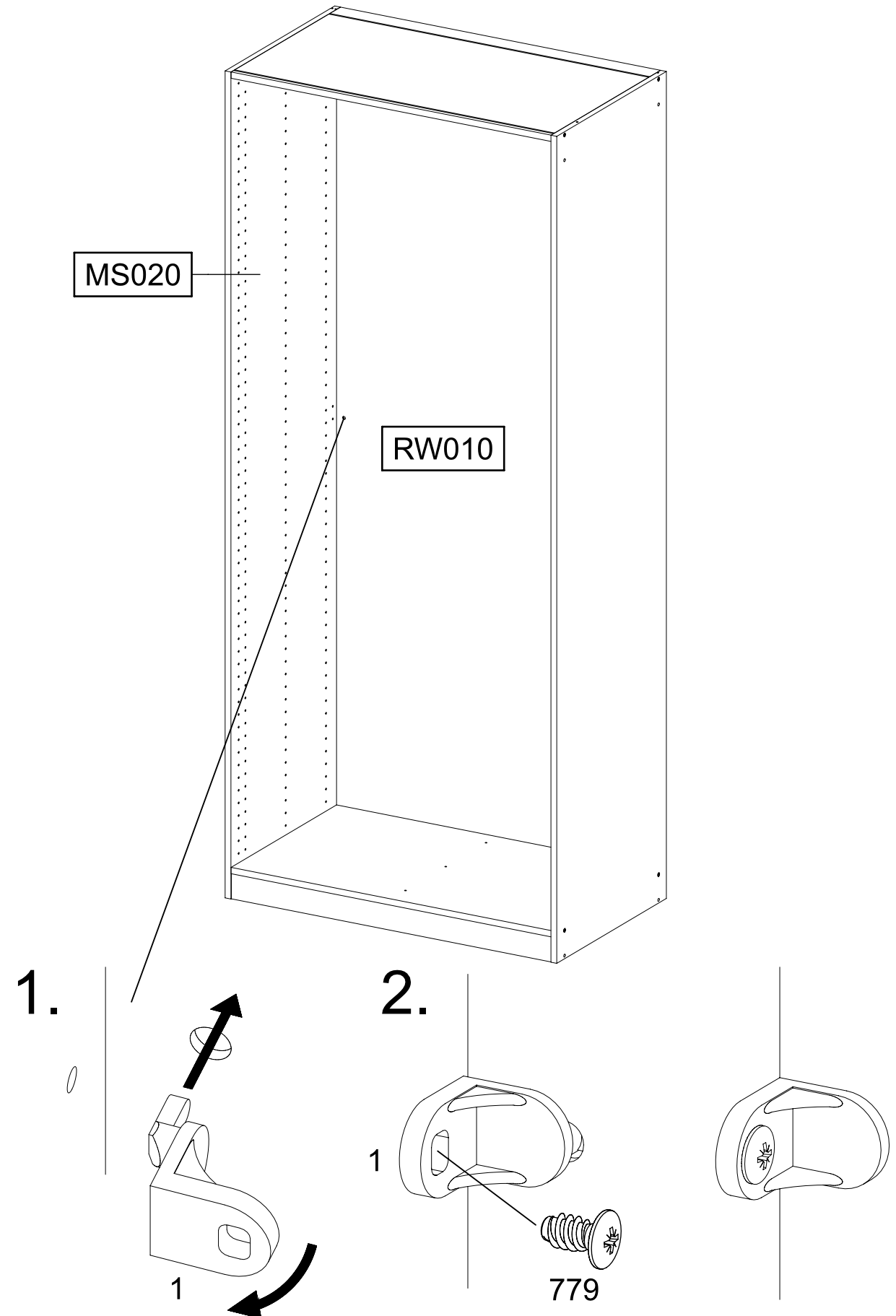
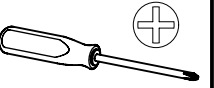
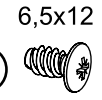


9

1x 1

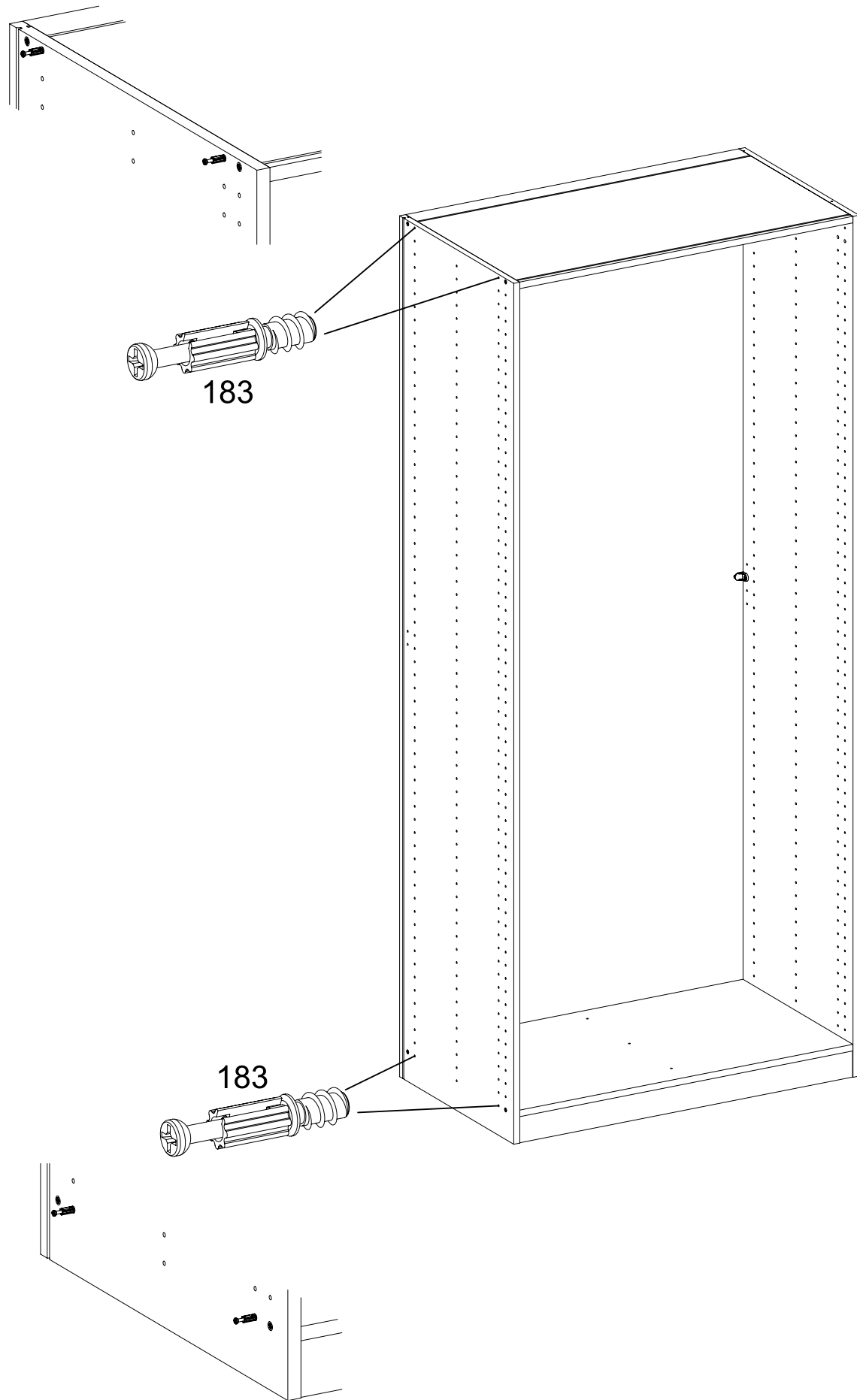
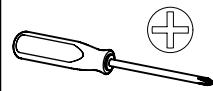
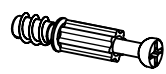


1x 779



10

4x 183

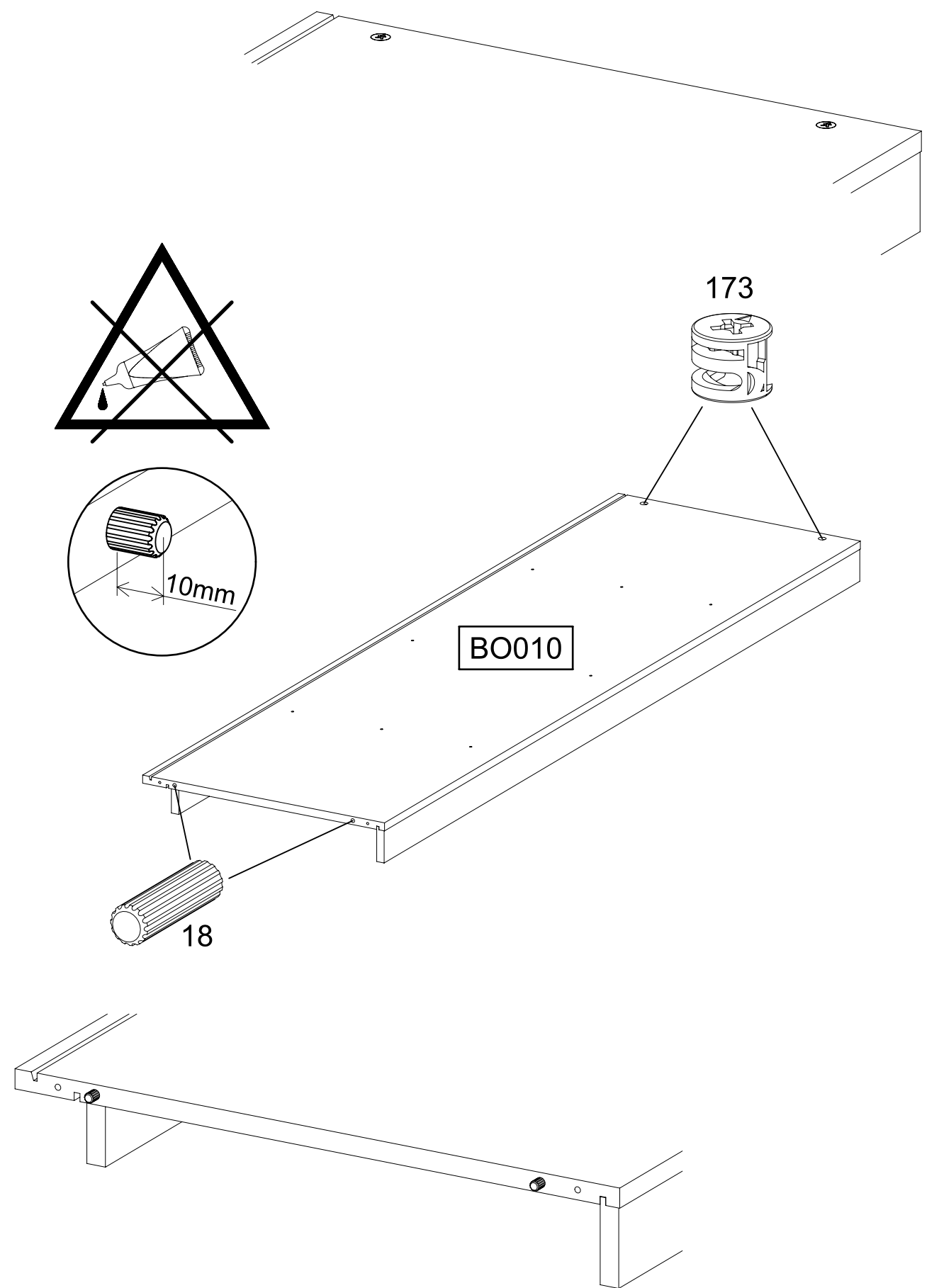
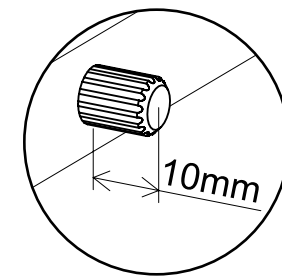
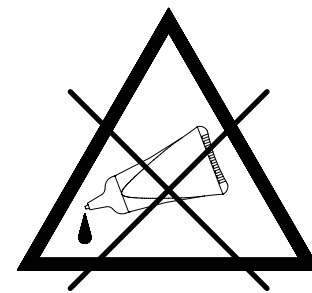
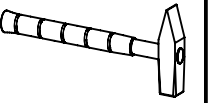


11

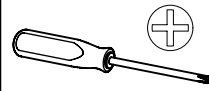
2x 18 8x30



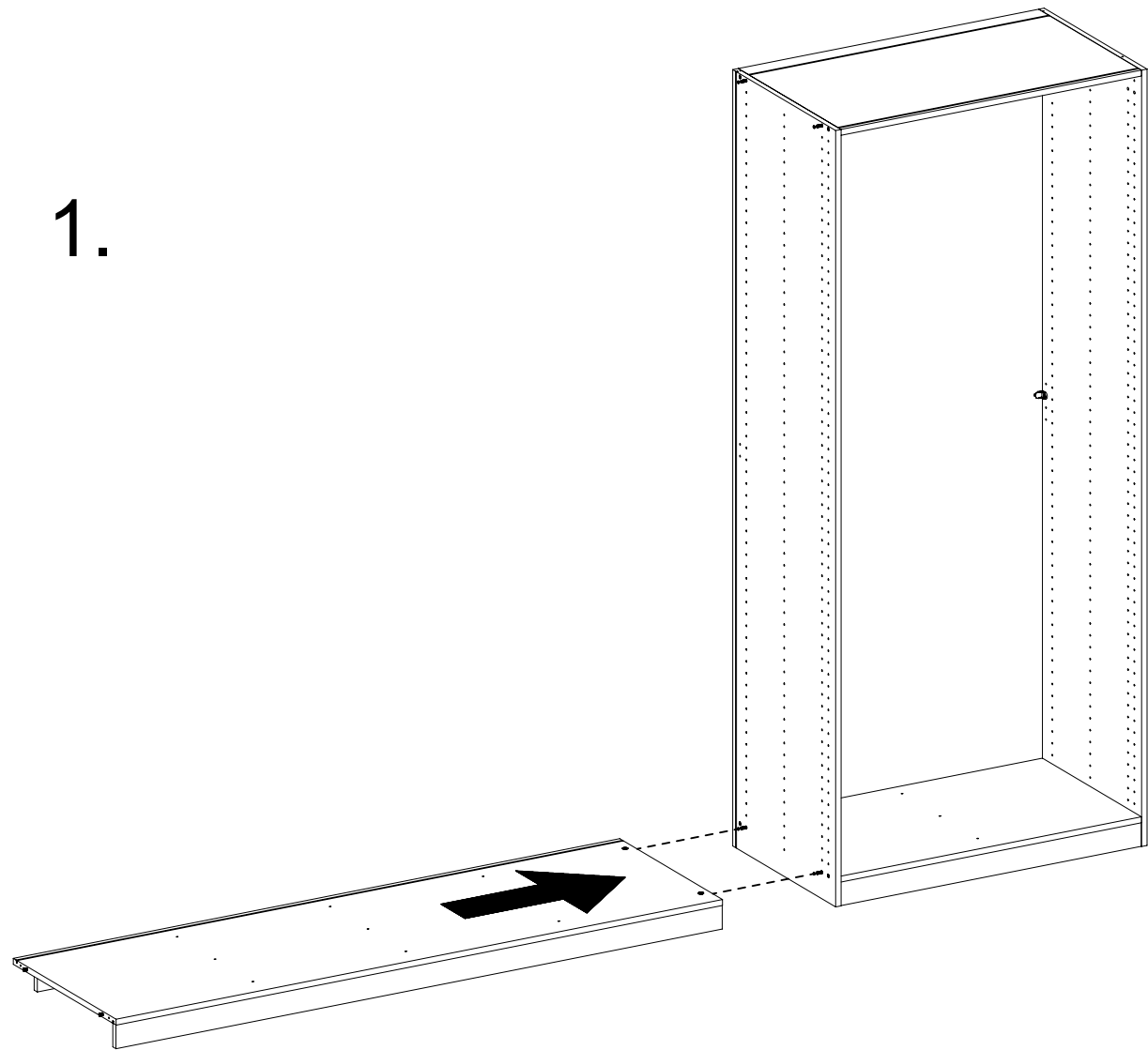
2x 173



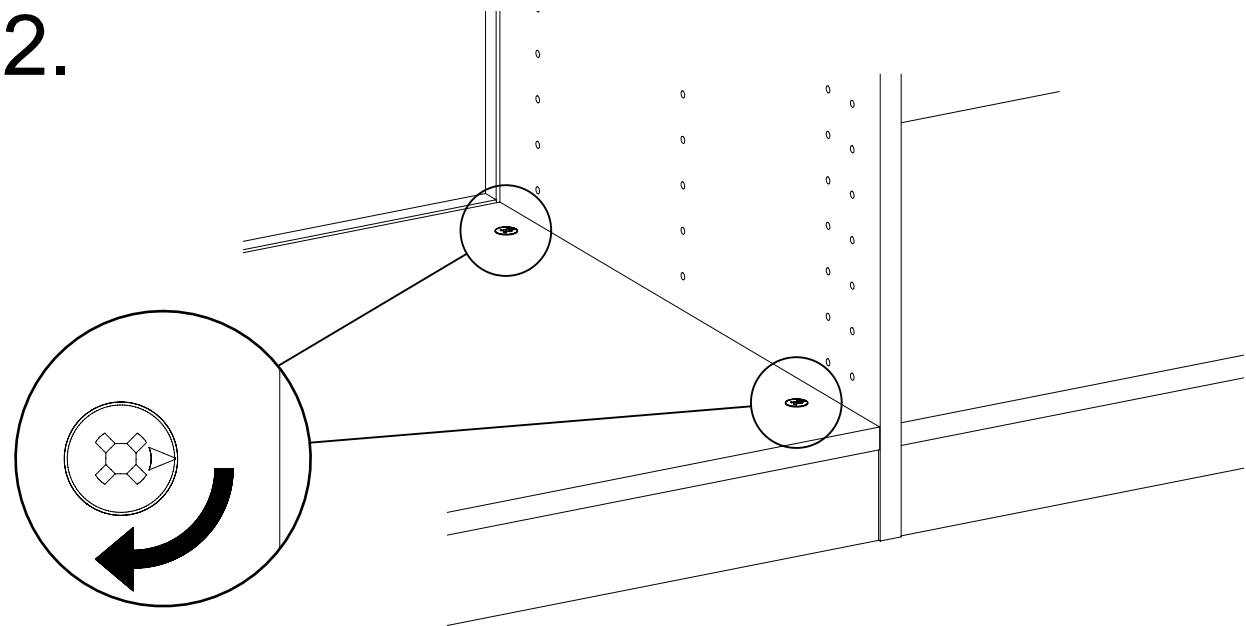
12



1.

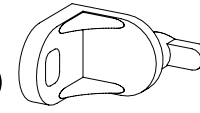


2.



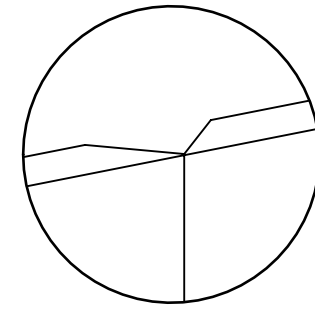
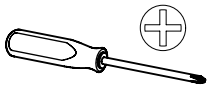
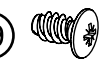
13

1x 1



1x 779

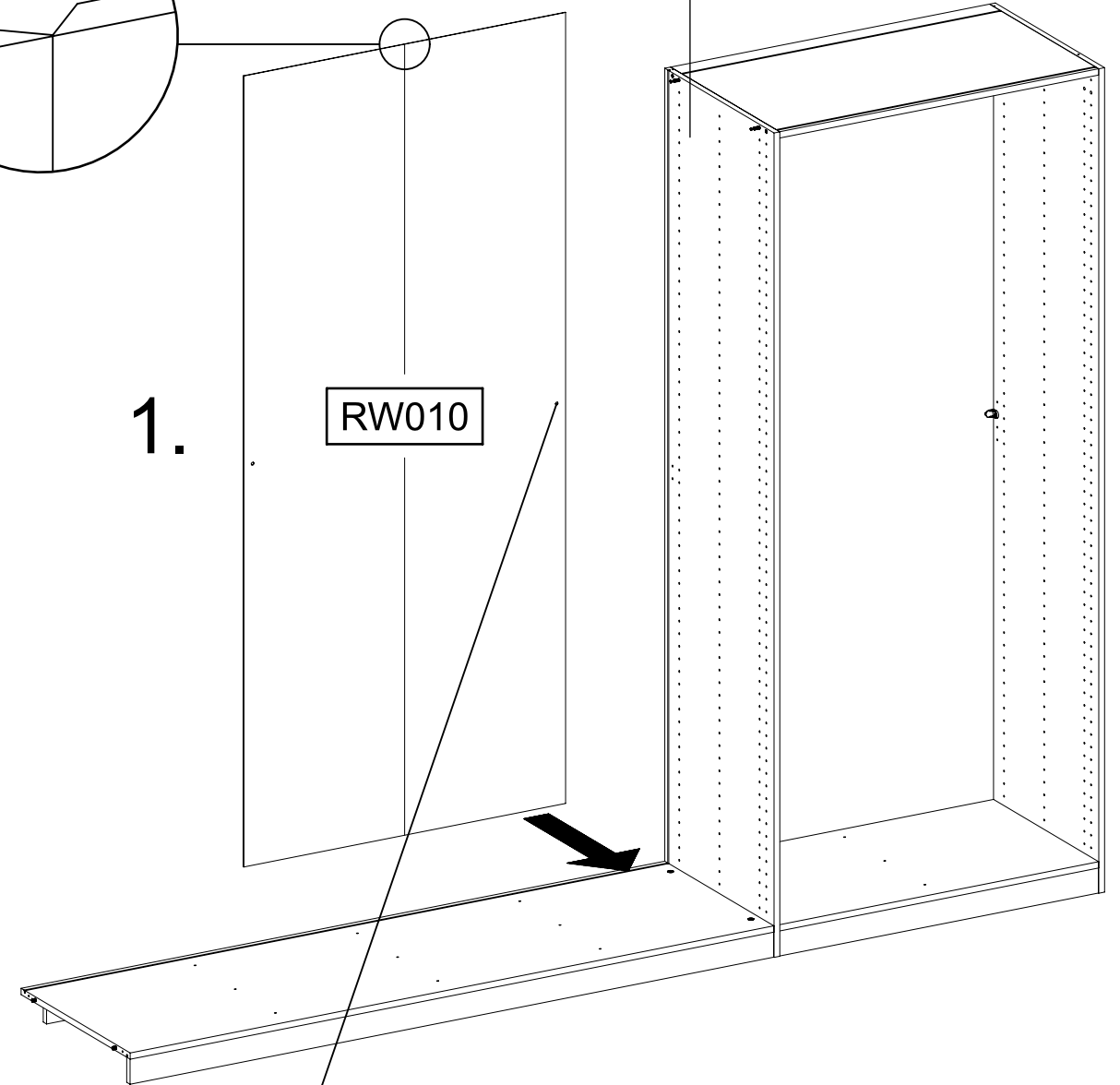
6,5x12



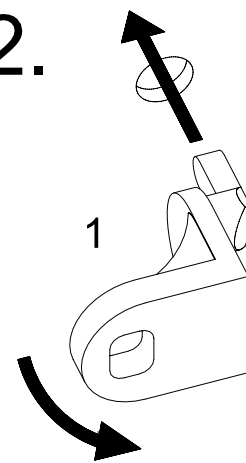
1.

RW010

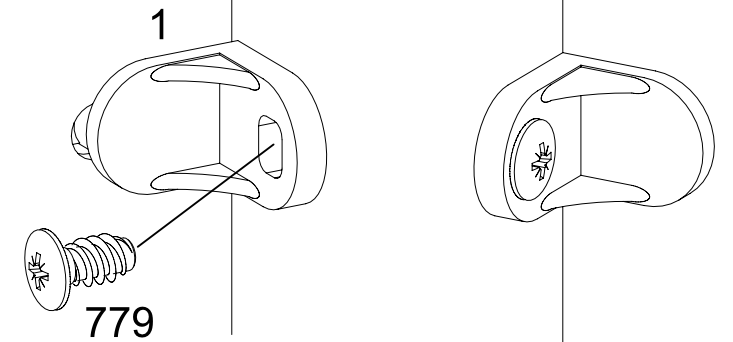
MS020



2.



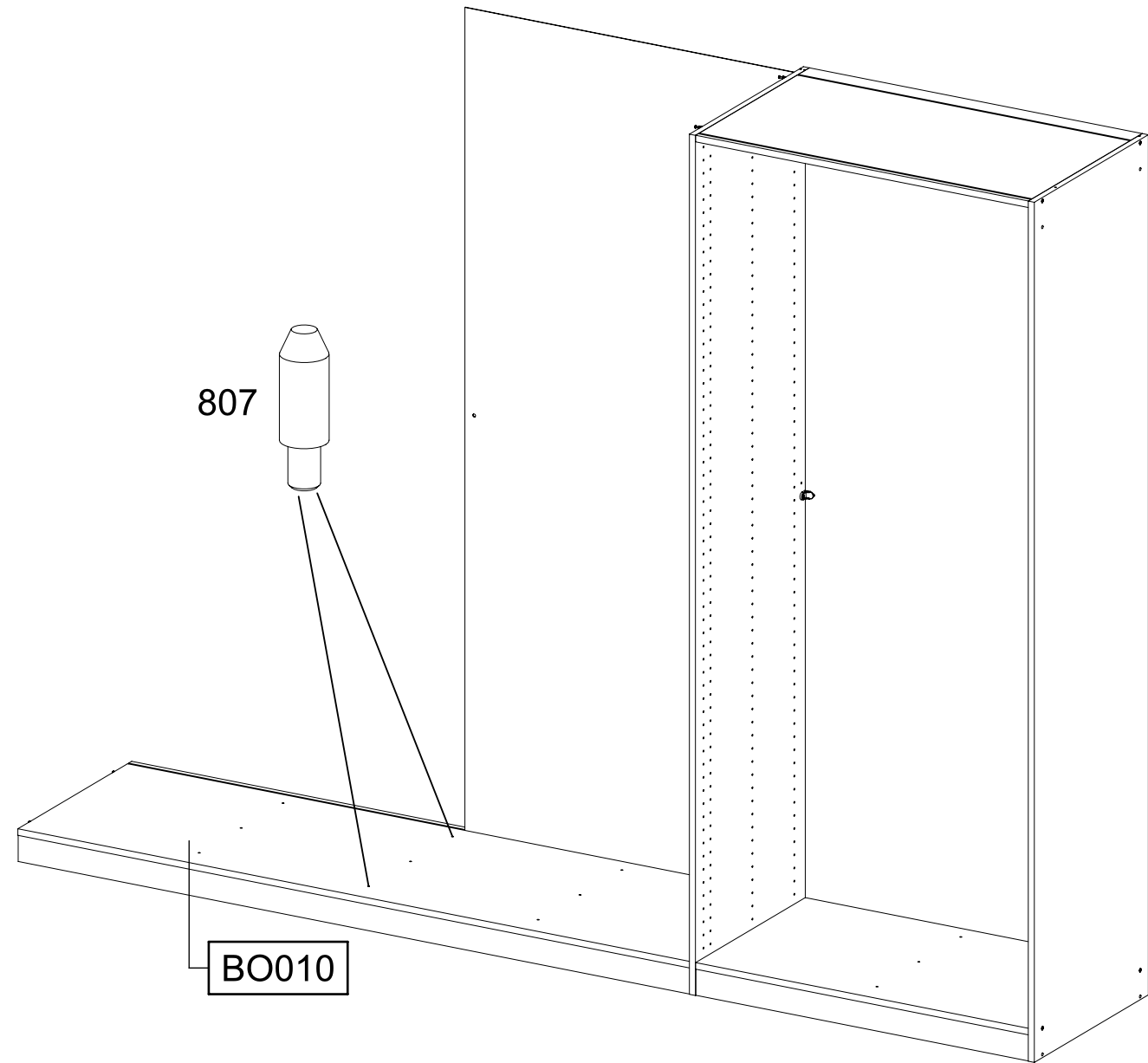
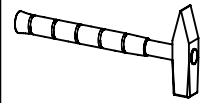
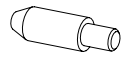
3.



14

2x

807



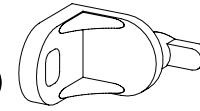
807

BO010

15

1x

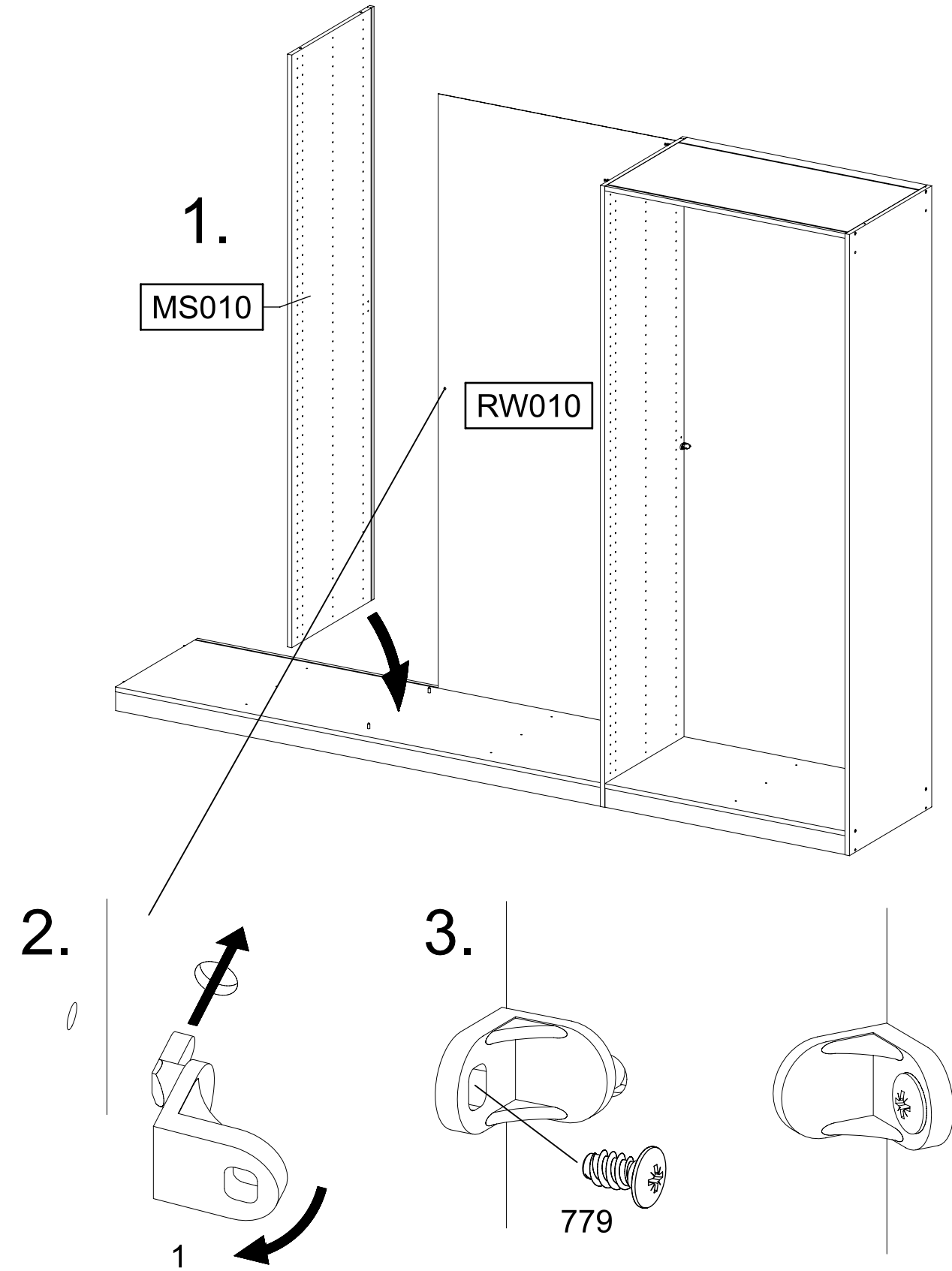
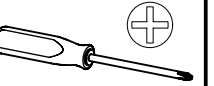
1



1x

779

6,5x12



1.

MS010

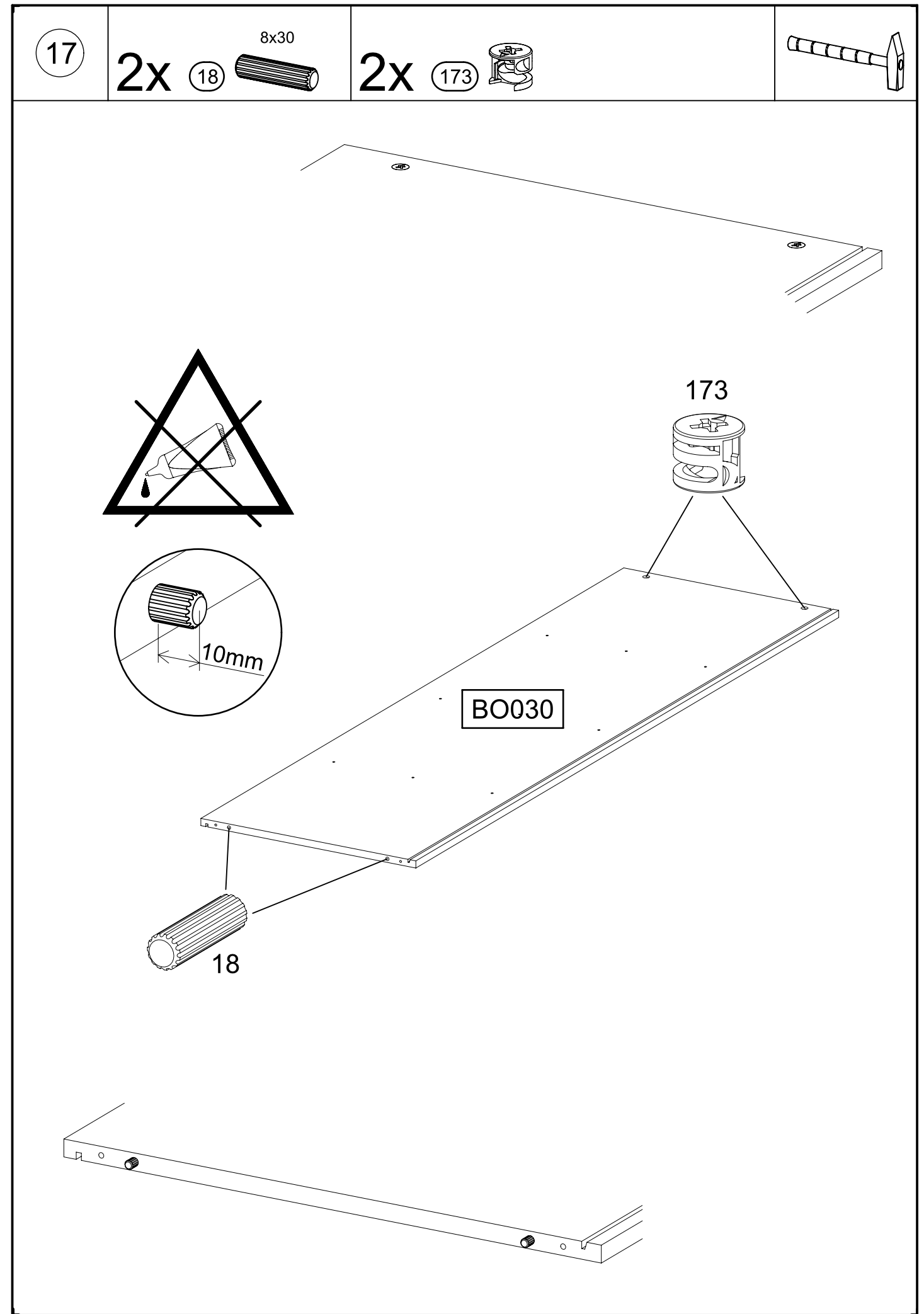
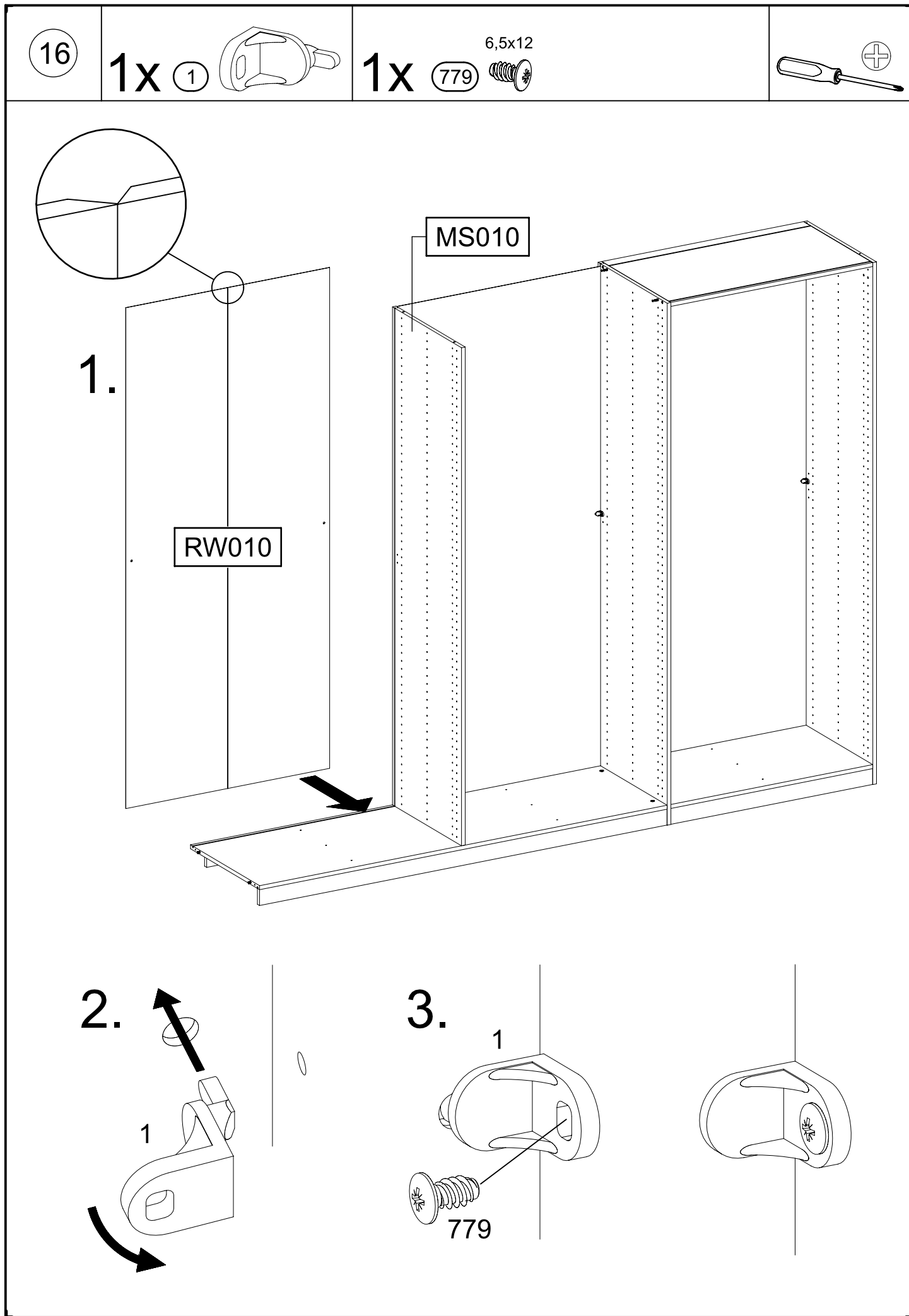
RW010

2.

3.

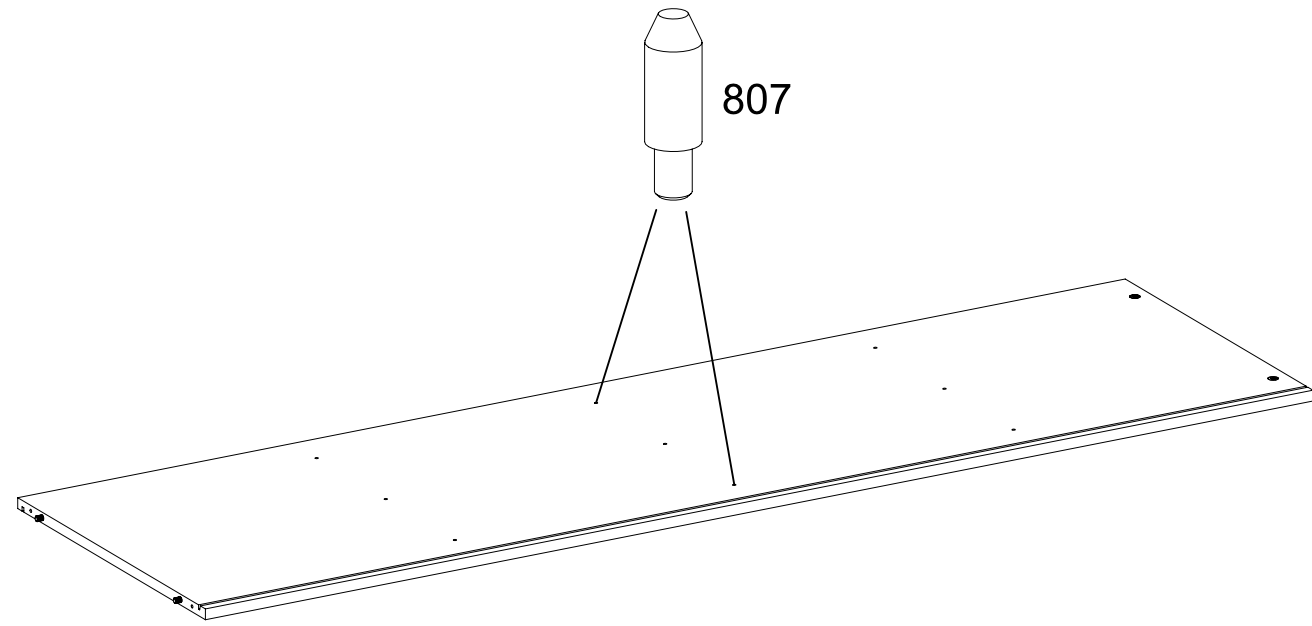
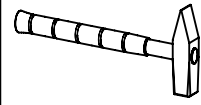
1

779



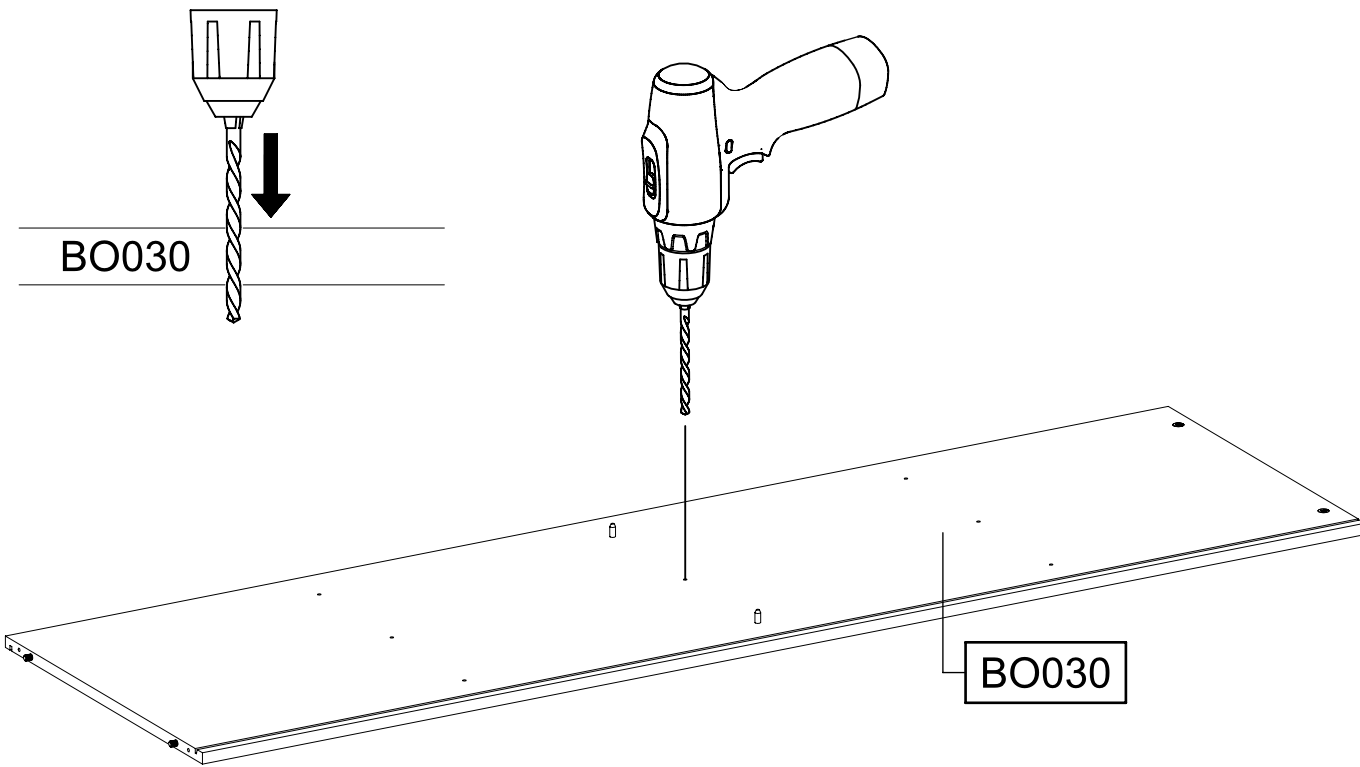
18

2x 807

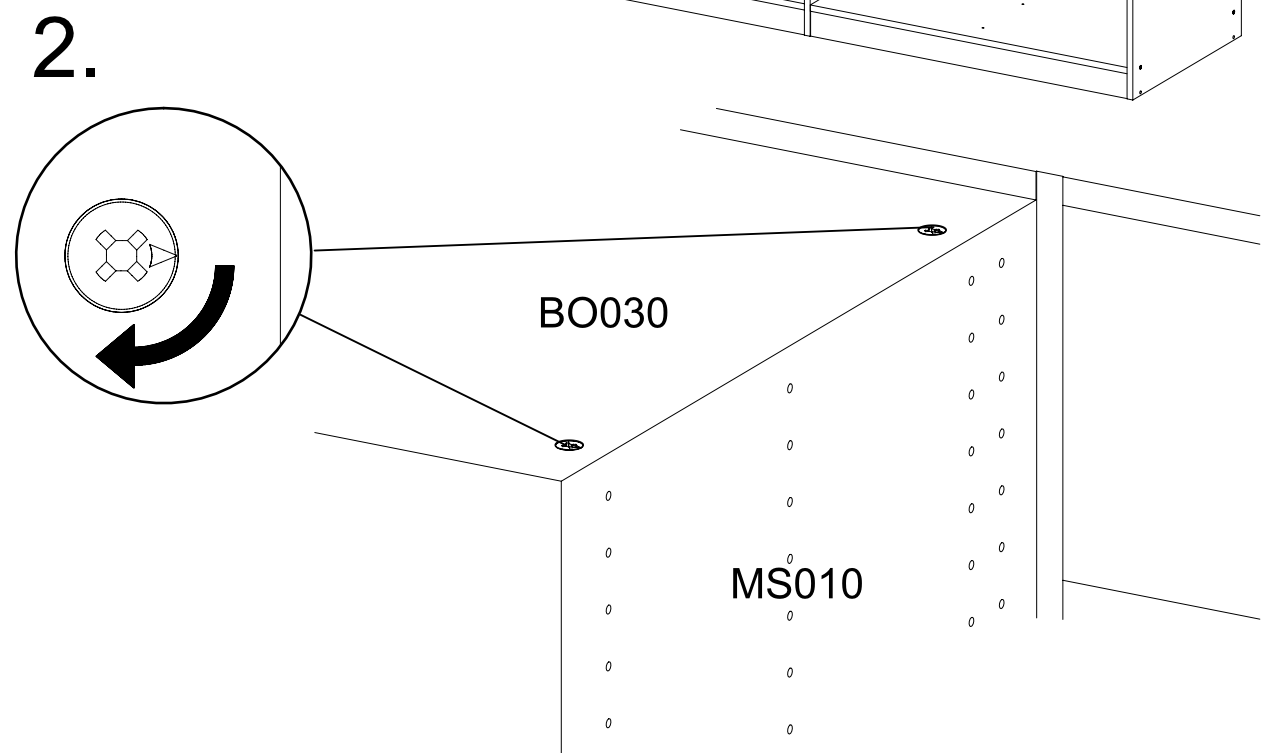
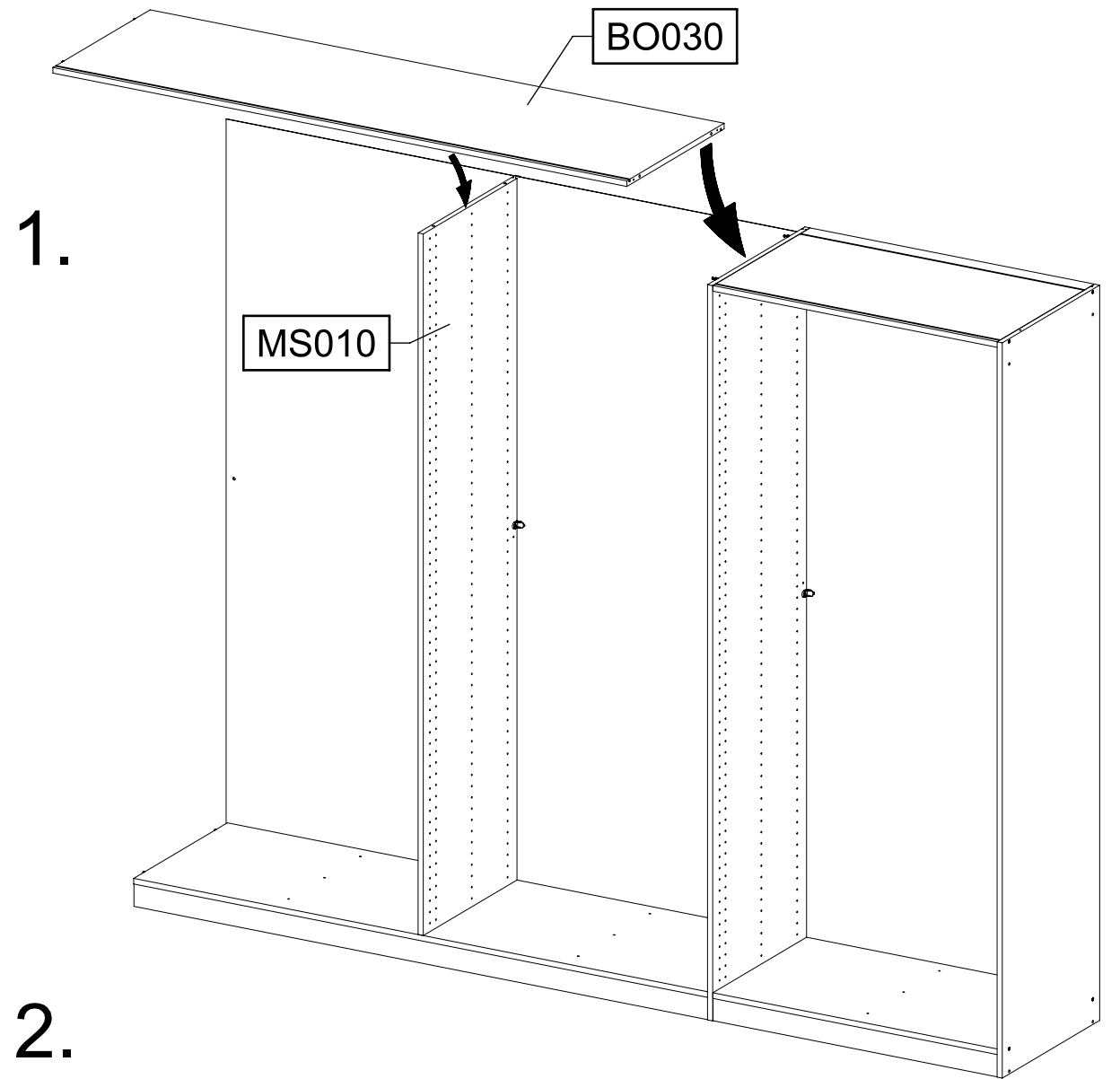
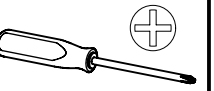


19

Ø5mm

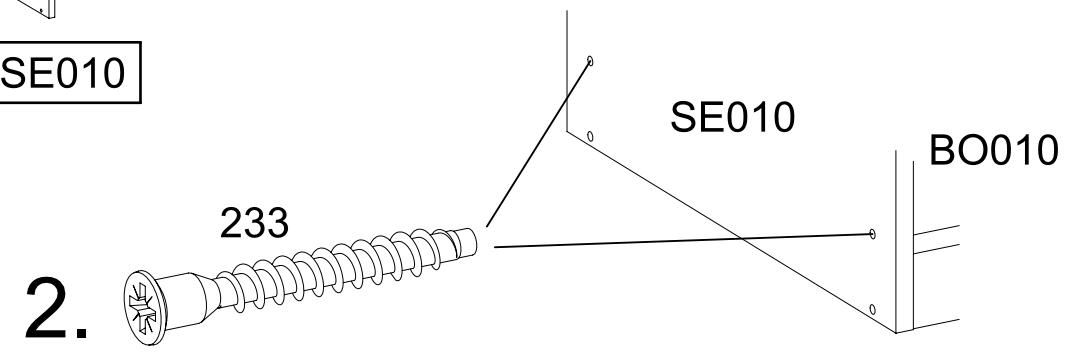
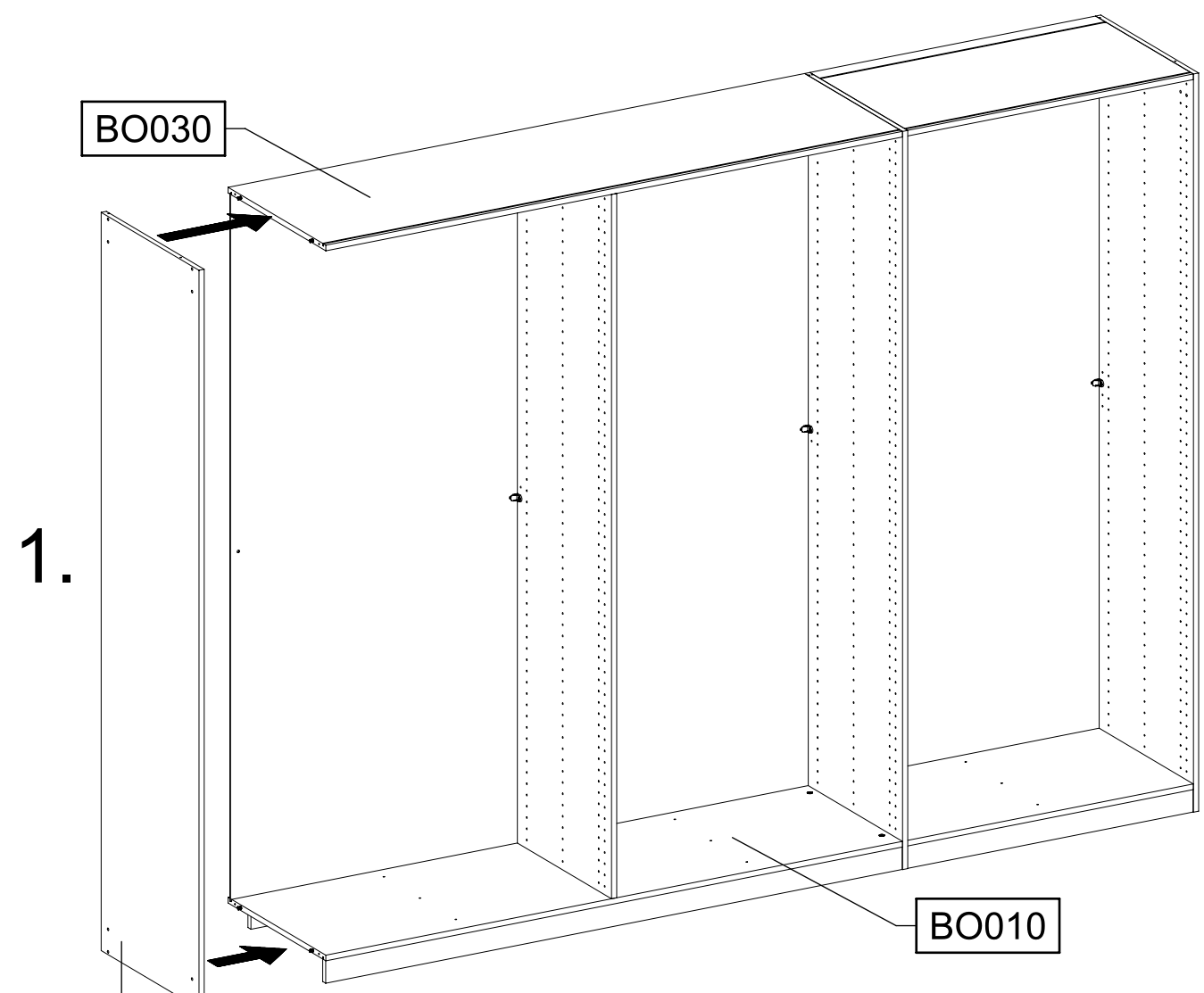
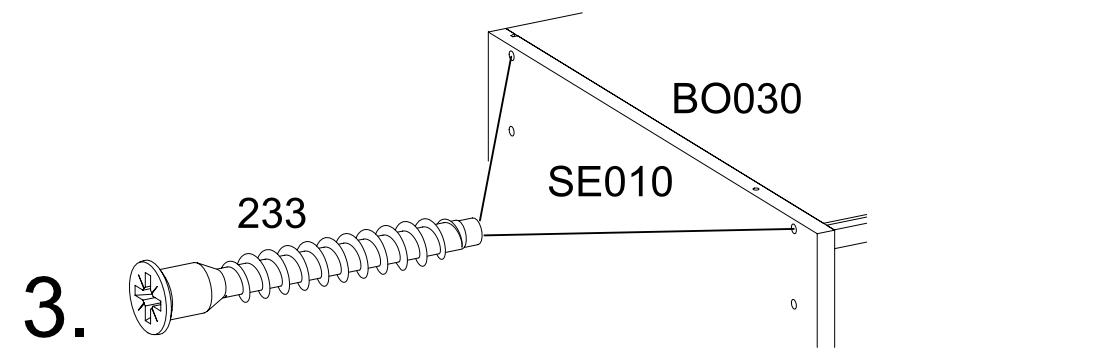
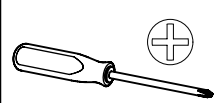
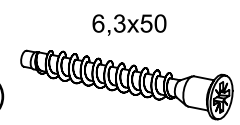


20



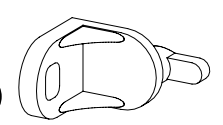
21

4x 233

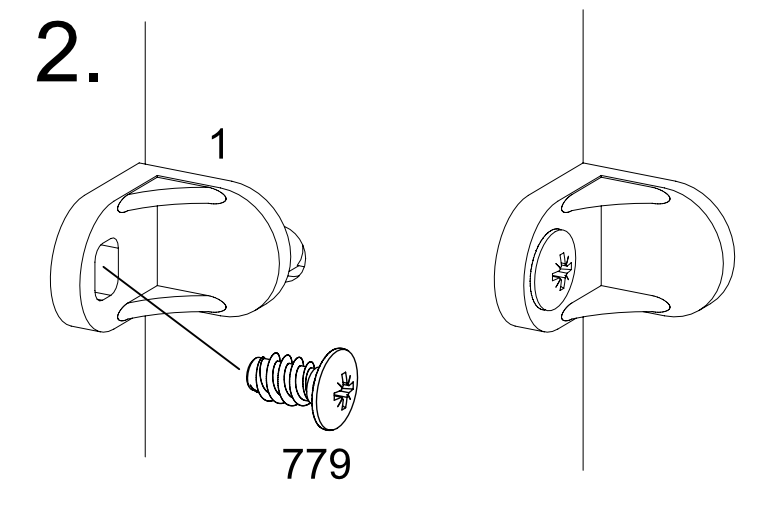
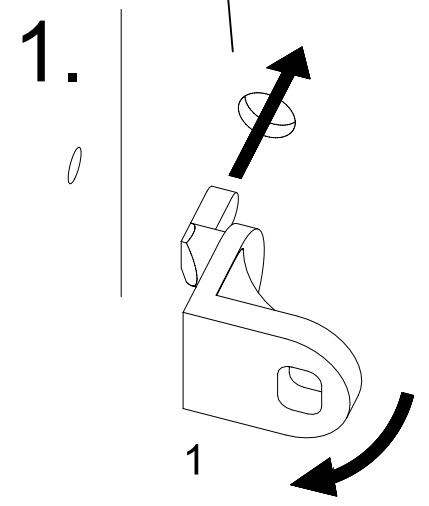
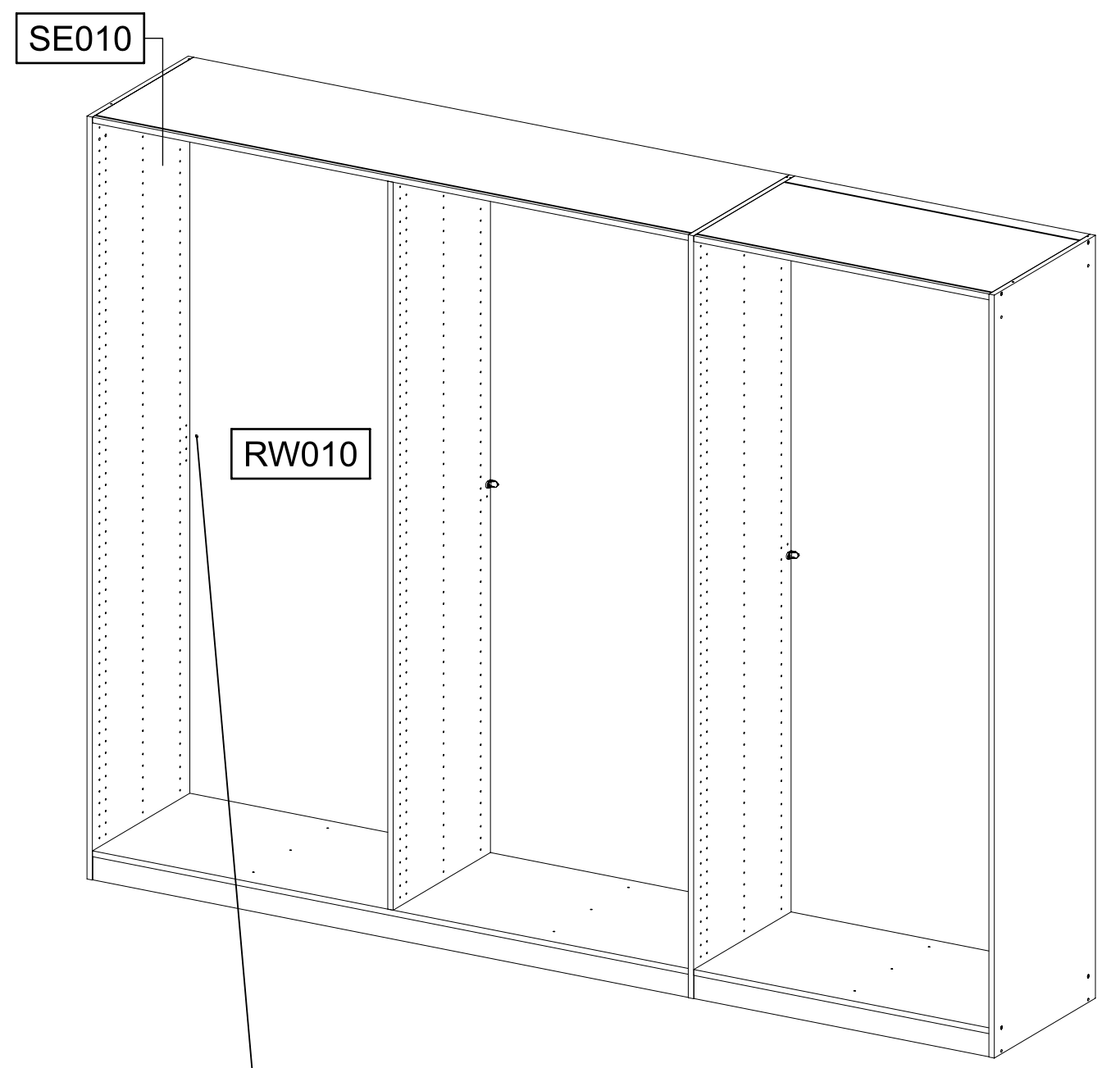
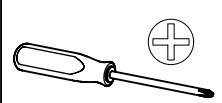


22

1x 1



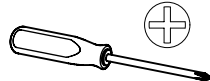
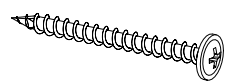
1x 779



23

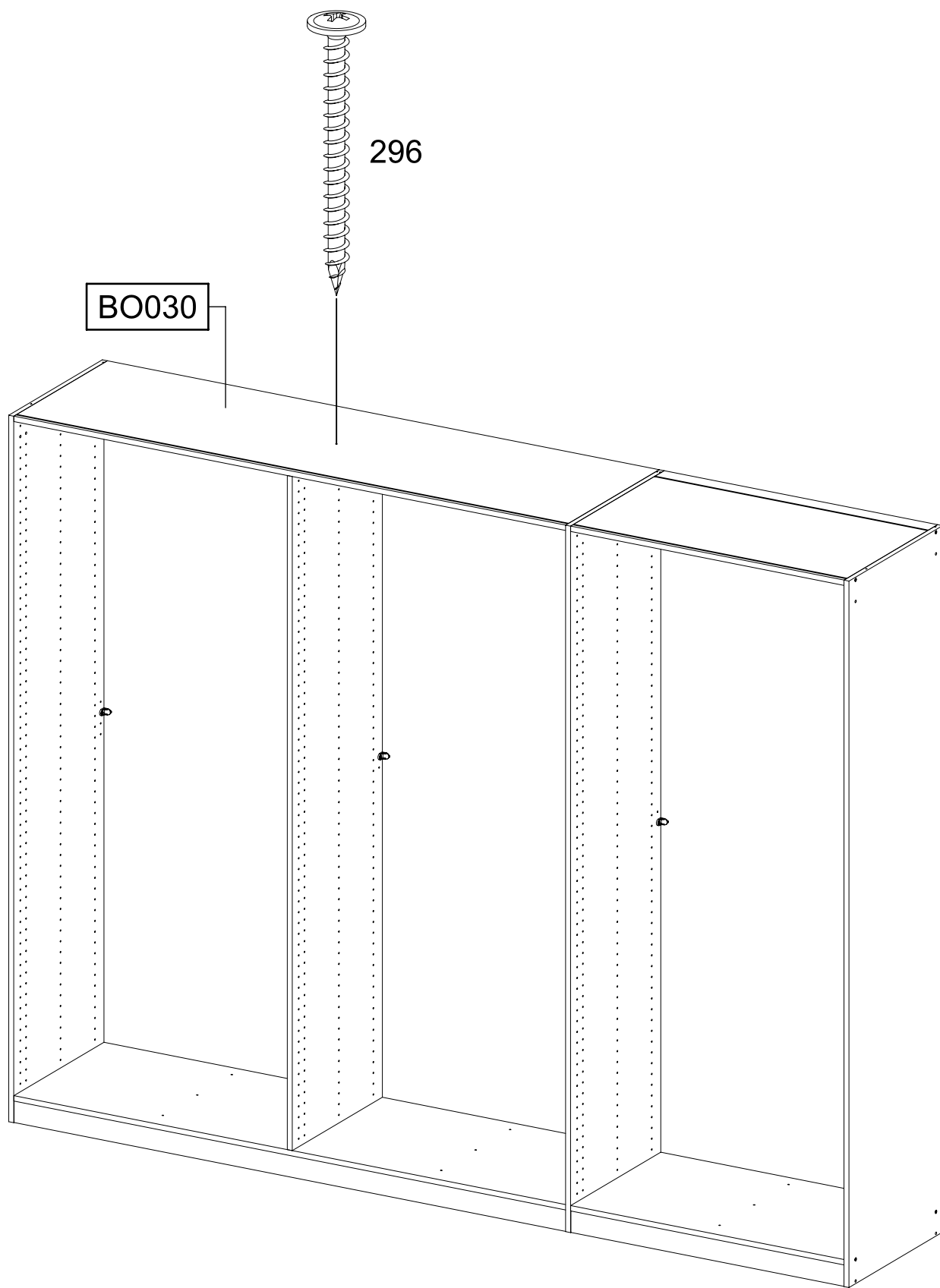
1x (296)

4,5x50



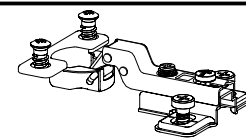
296

BO030



24

(116)



4x

(116)

3x

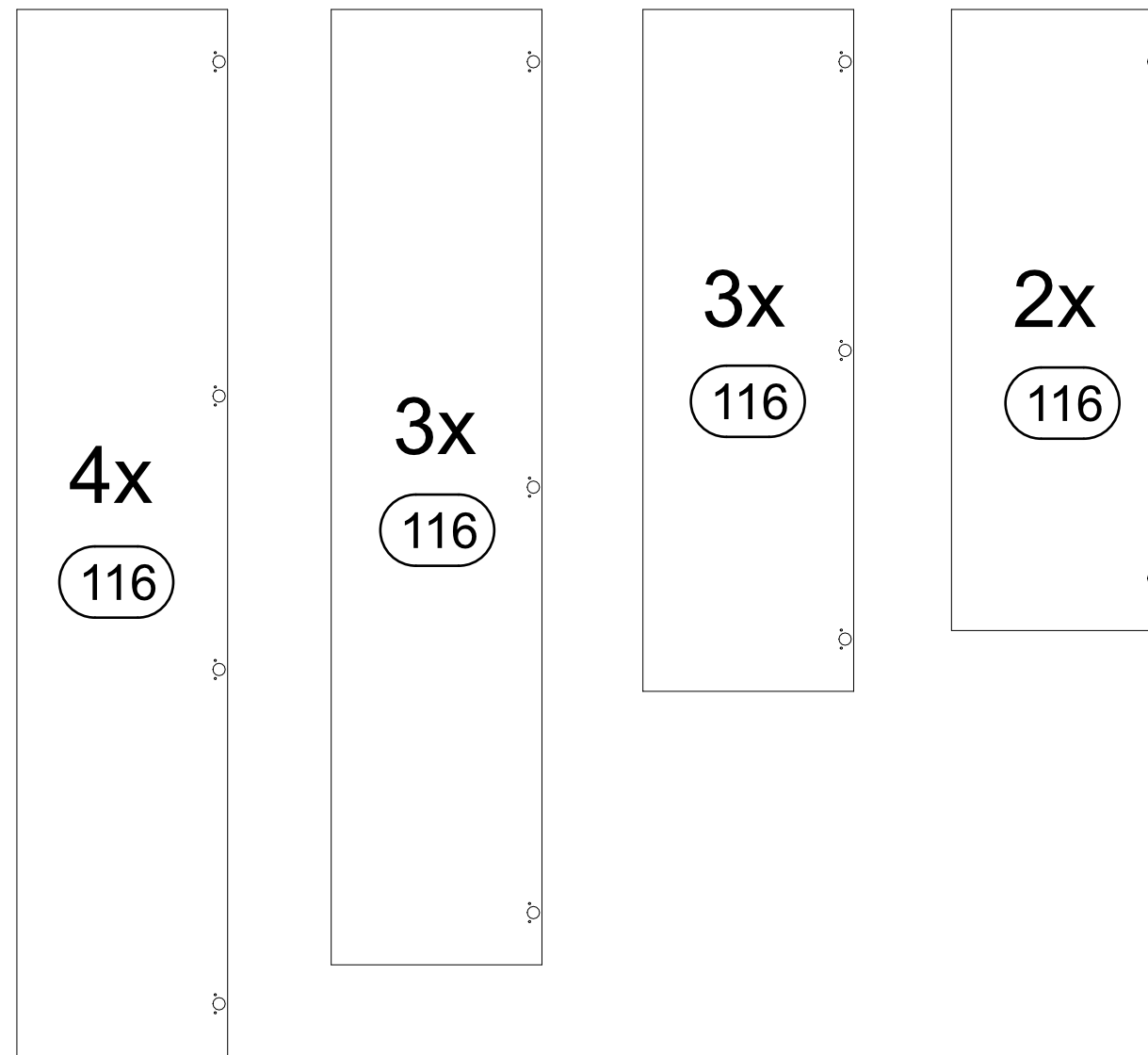
(116)

3x

(116)

2x

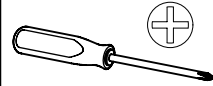
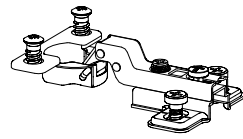
(116)



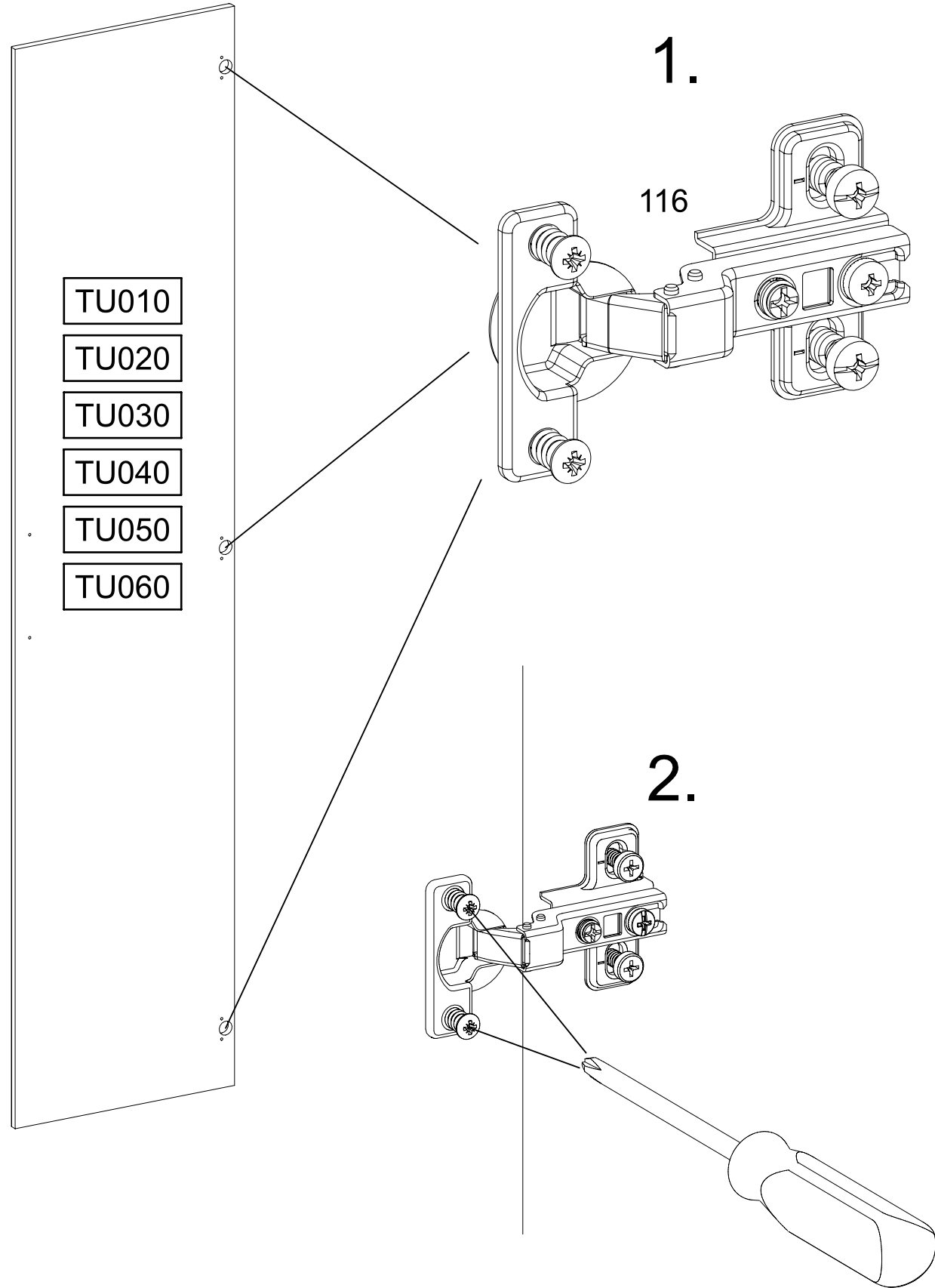
25

18x-24x

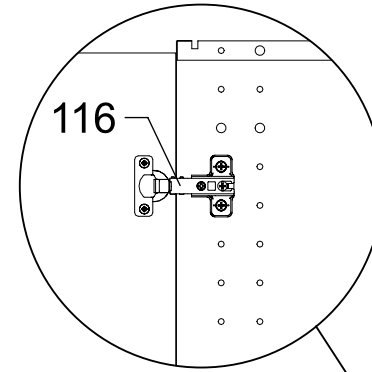
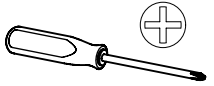
116



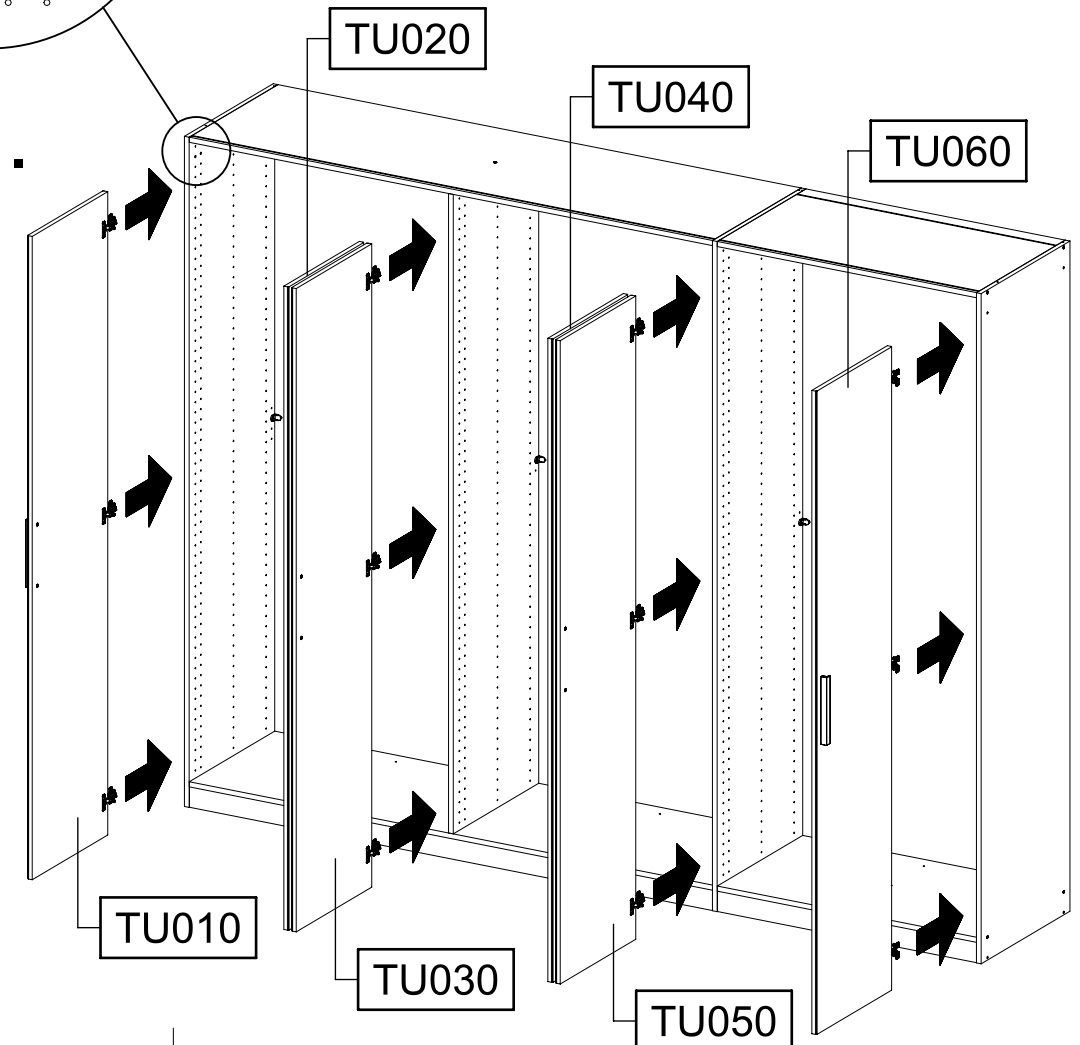
VIDEO



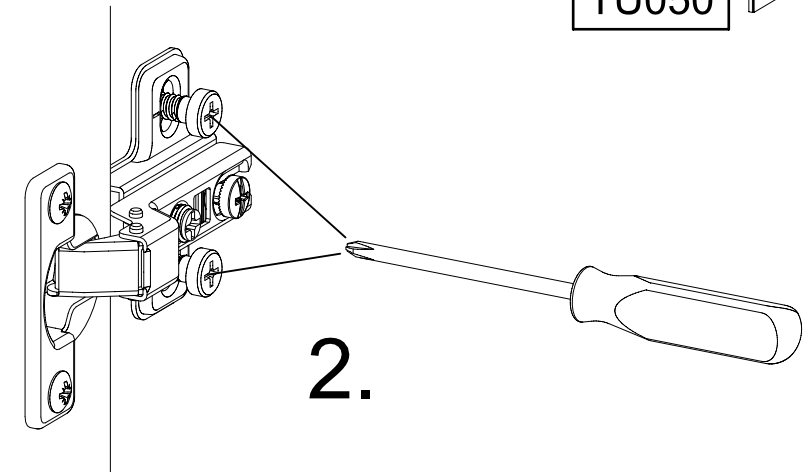
26



1.



- TU010
- TU020
- TU030
- TU040
- TU050
- TU060

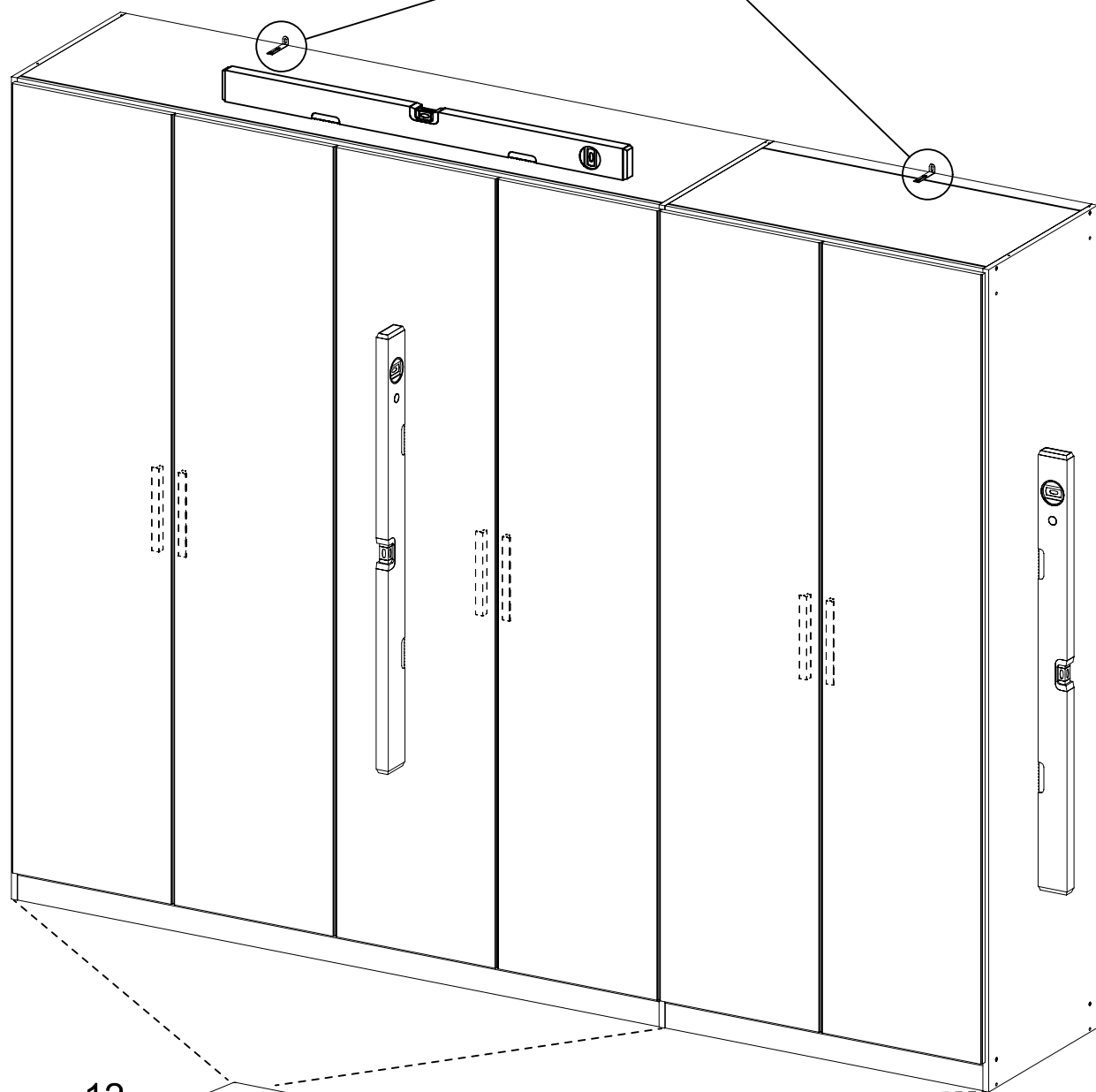
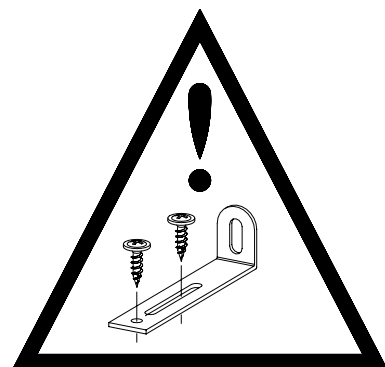
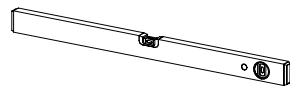
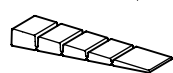


27

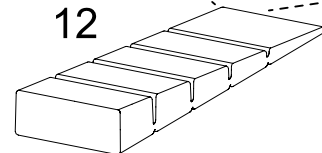
3x

12

55x16x6,2



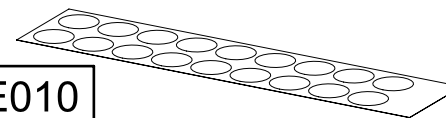
12



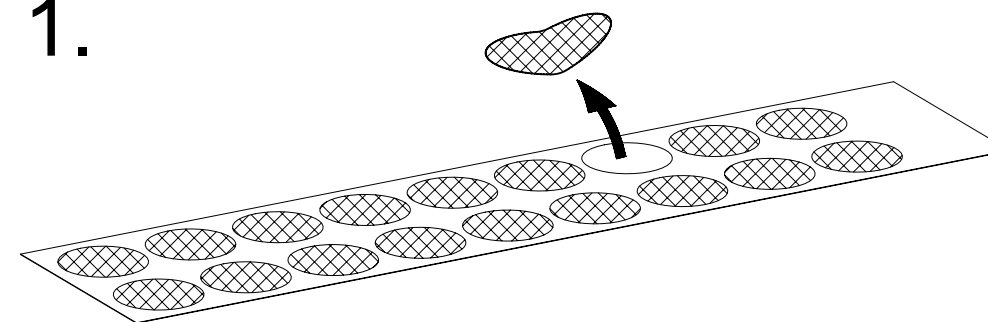
28

1x

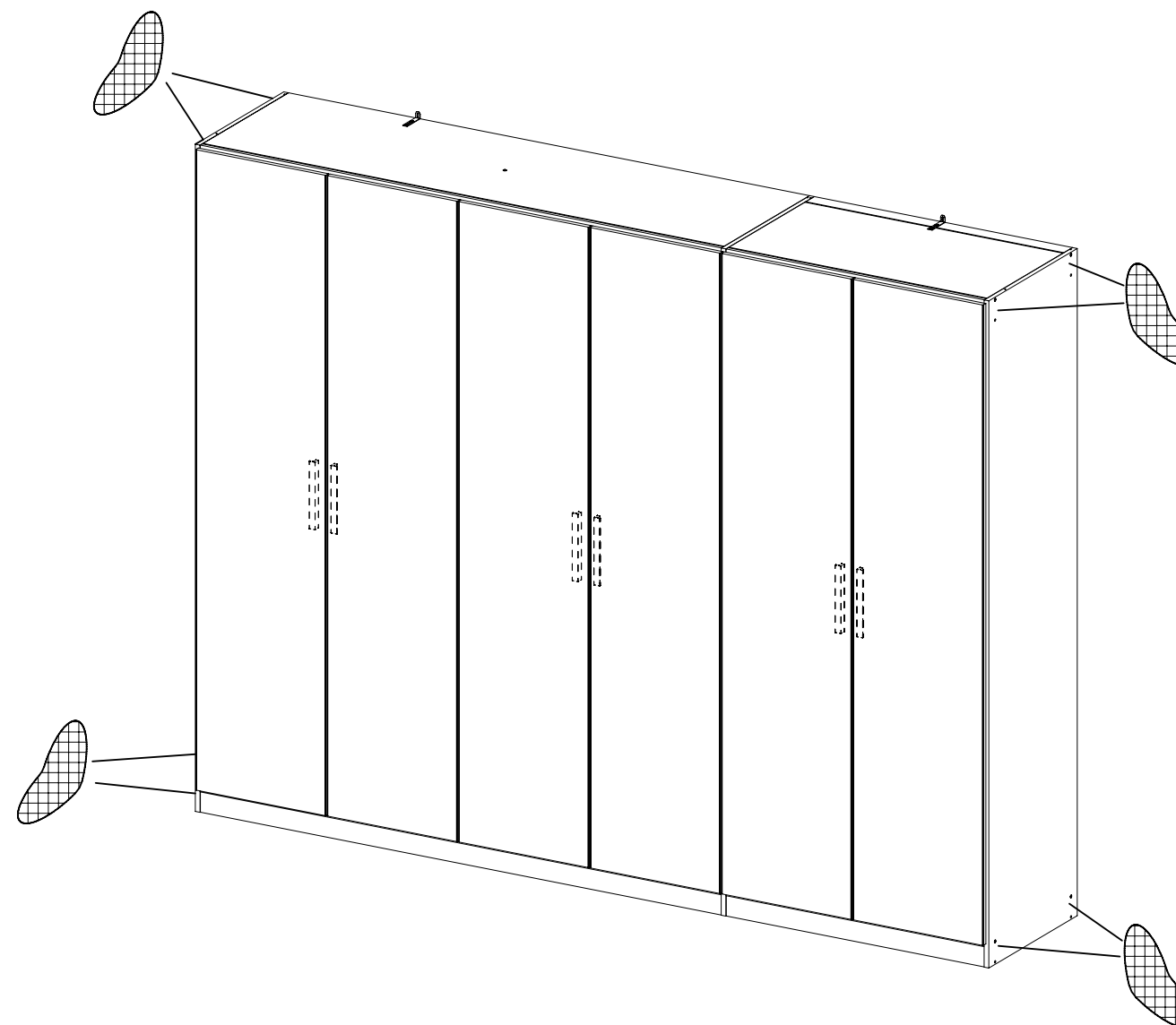
RE010

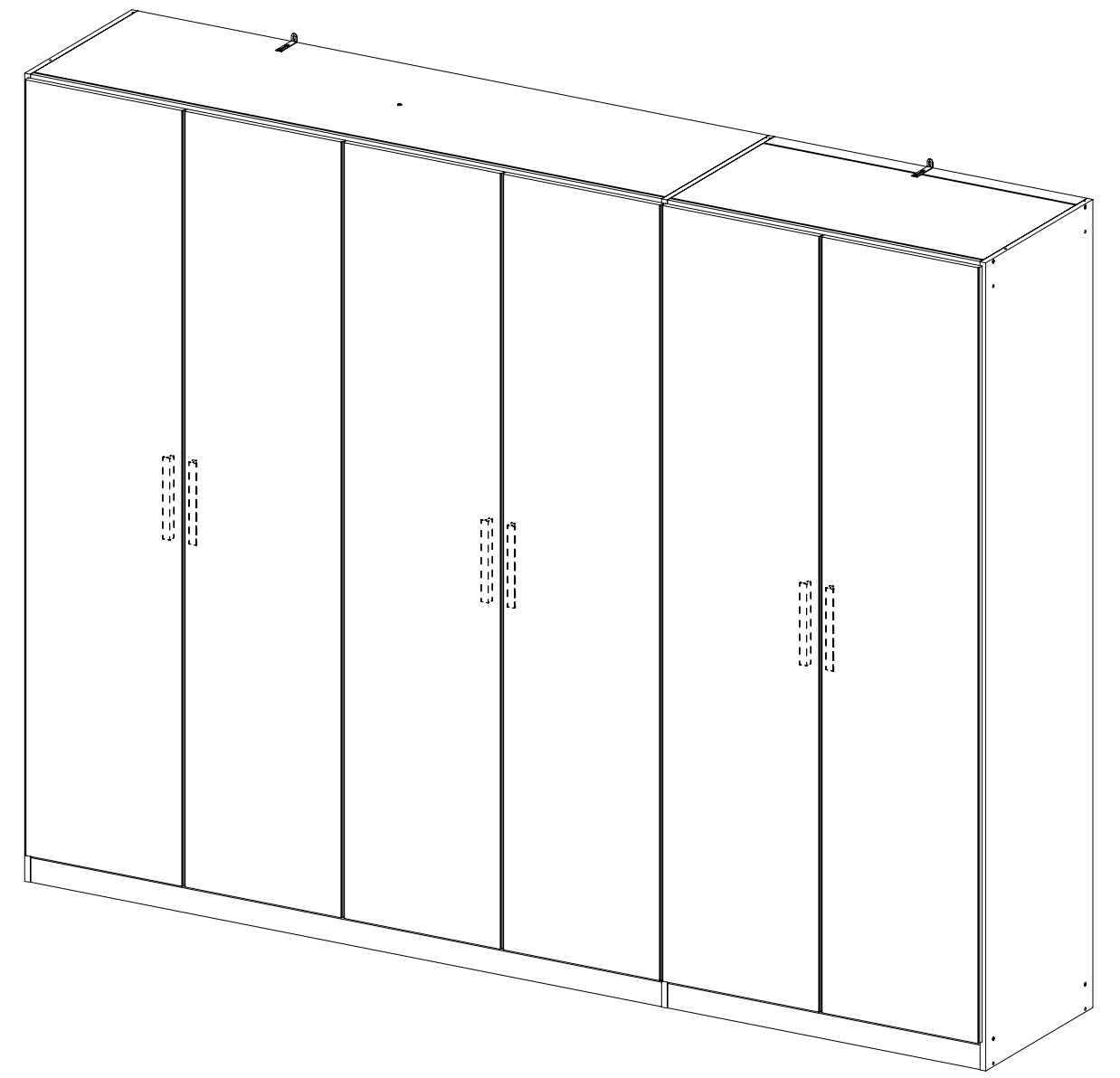
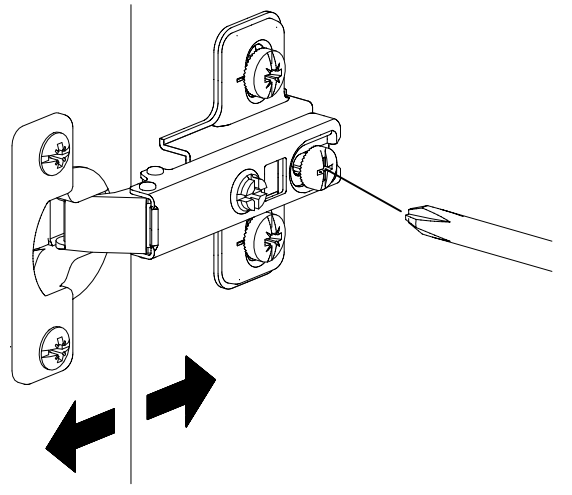
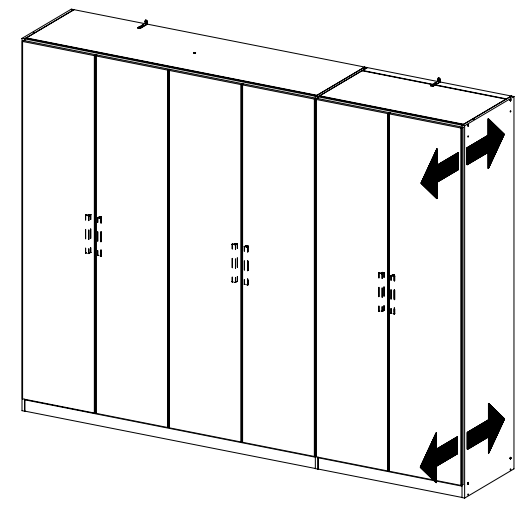
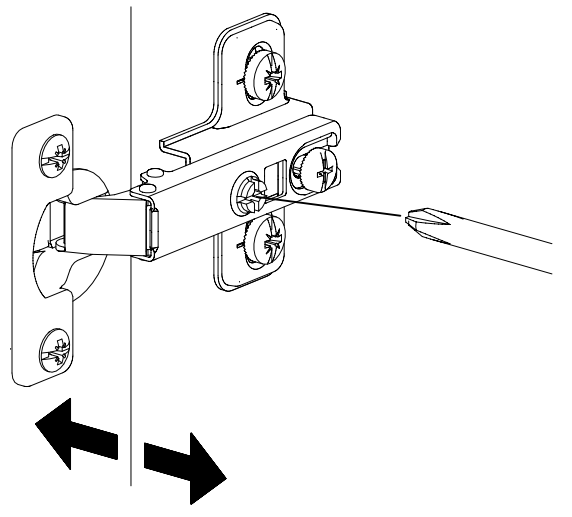
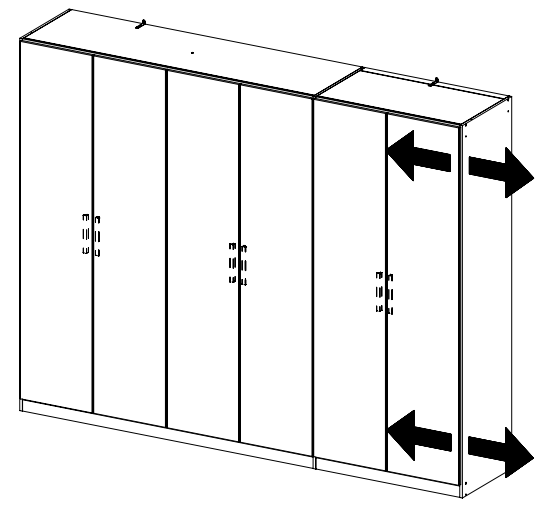
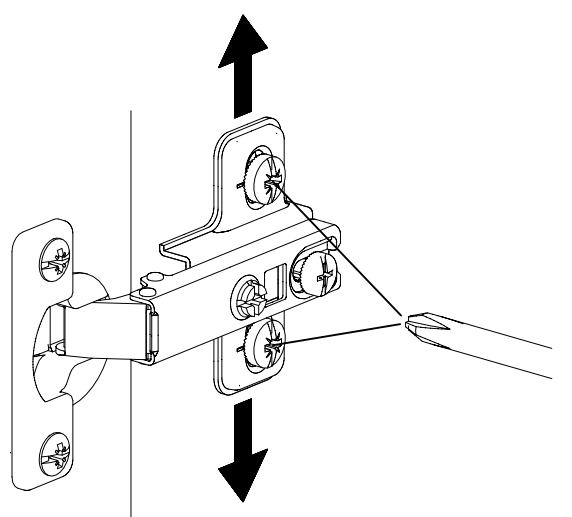
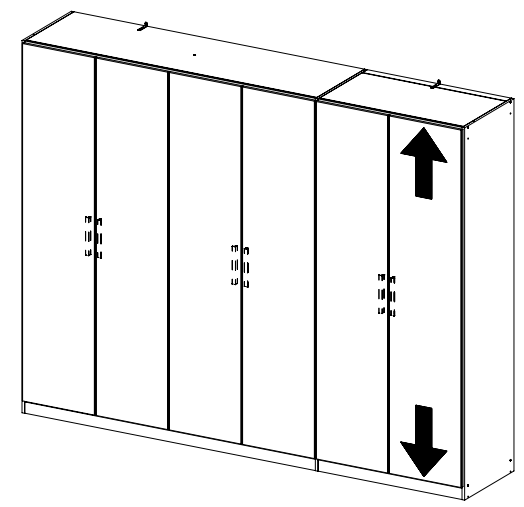
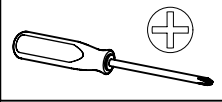


1.



2.

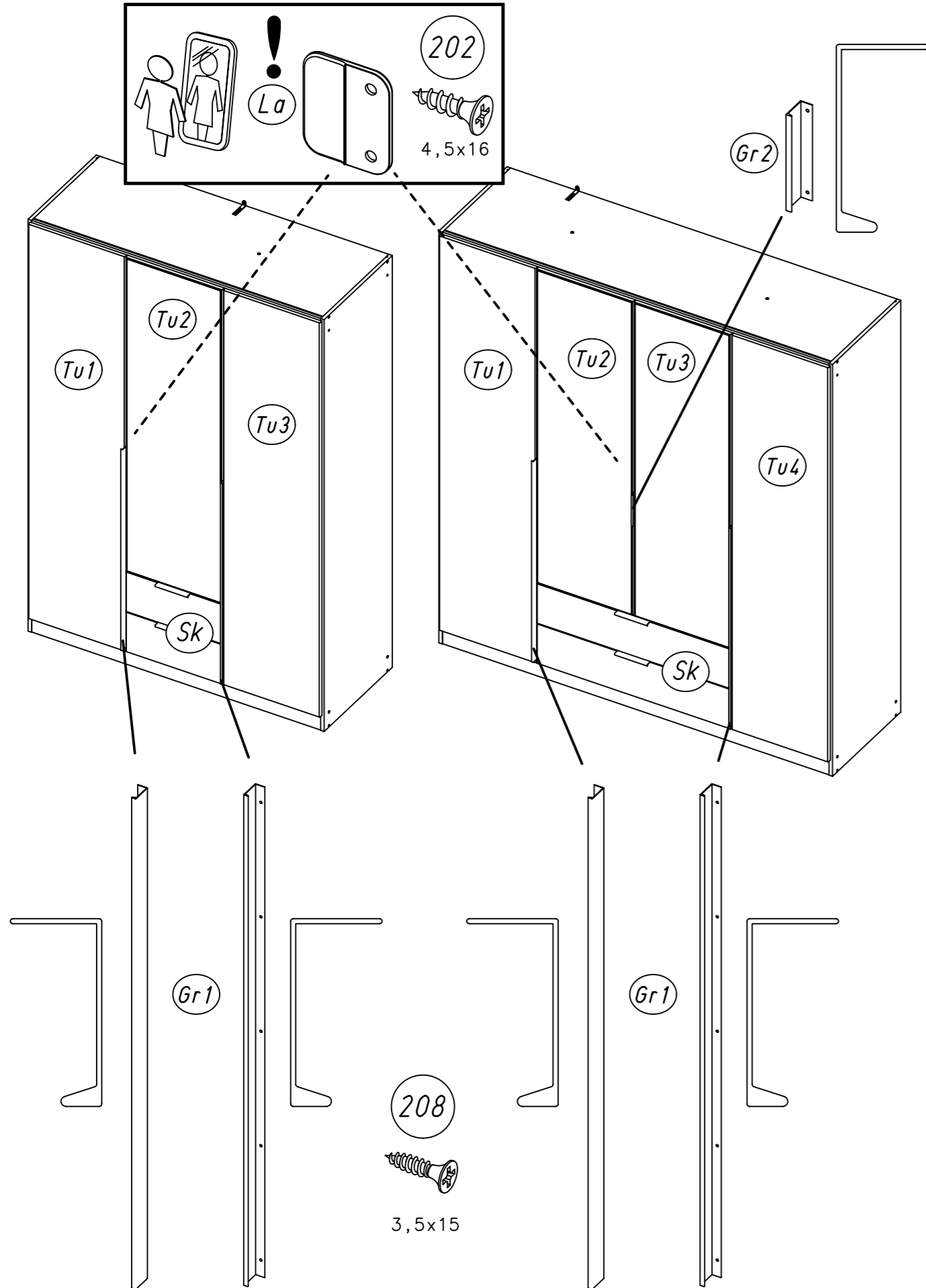




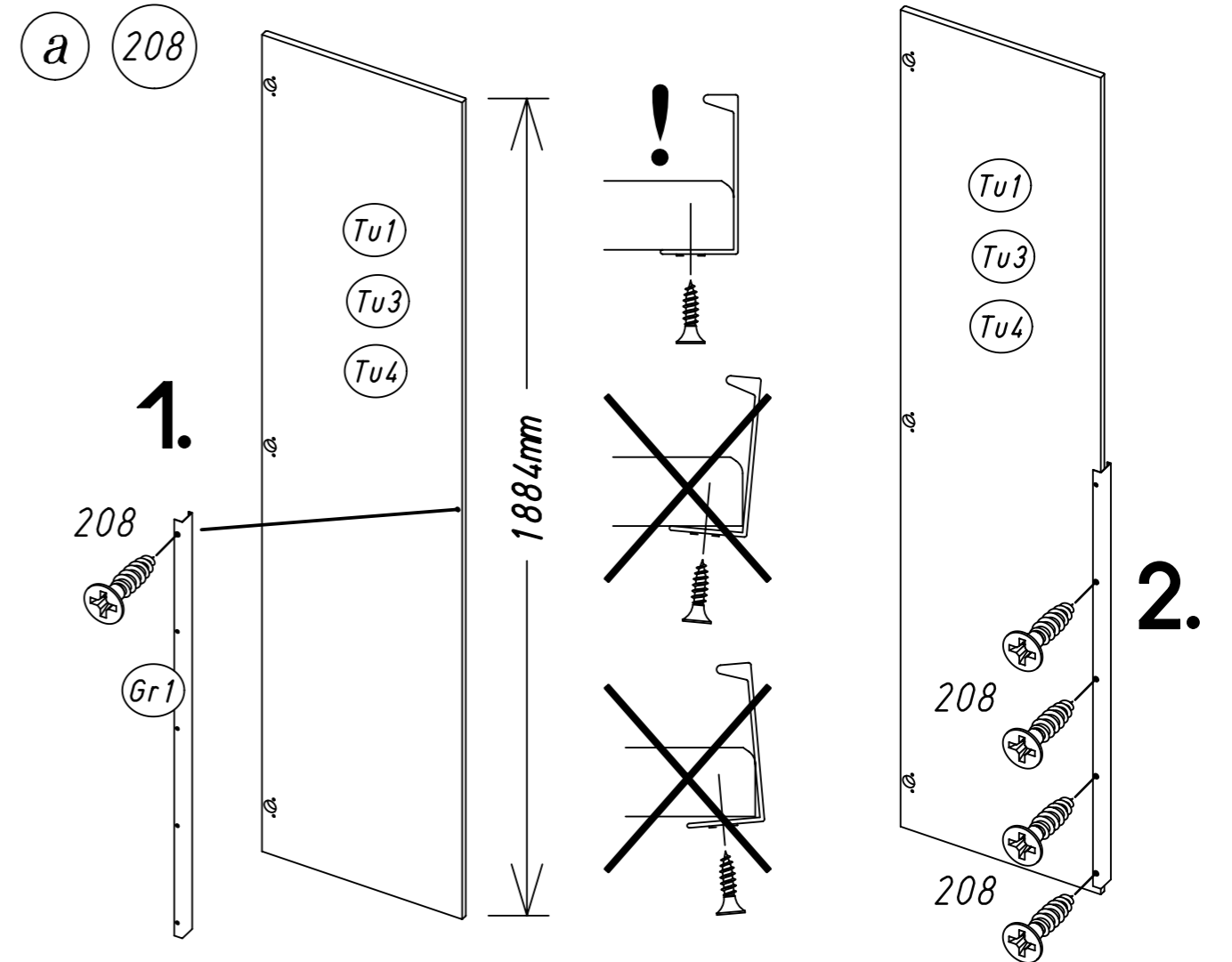
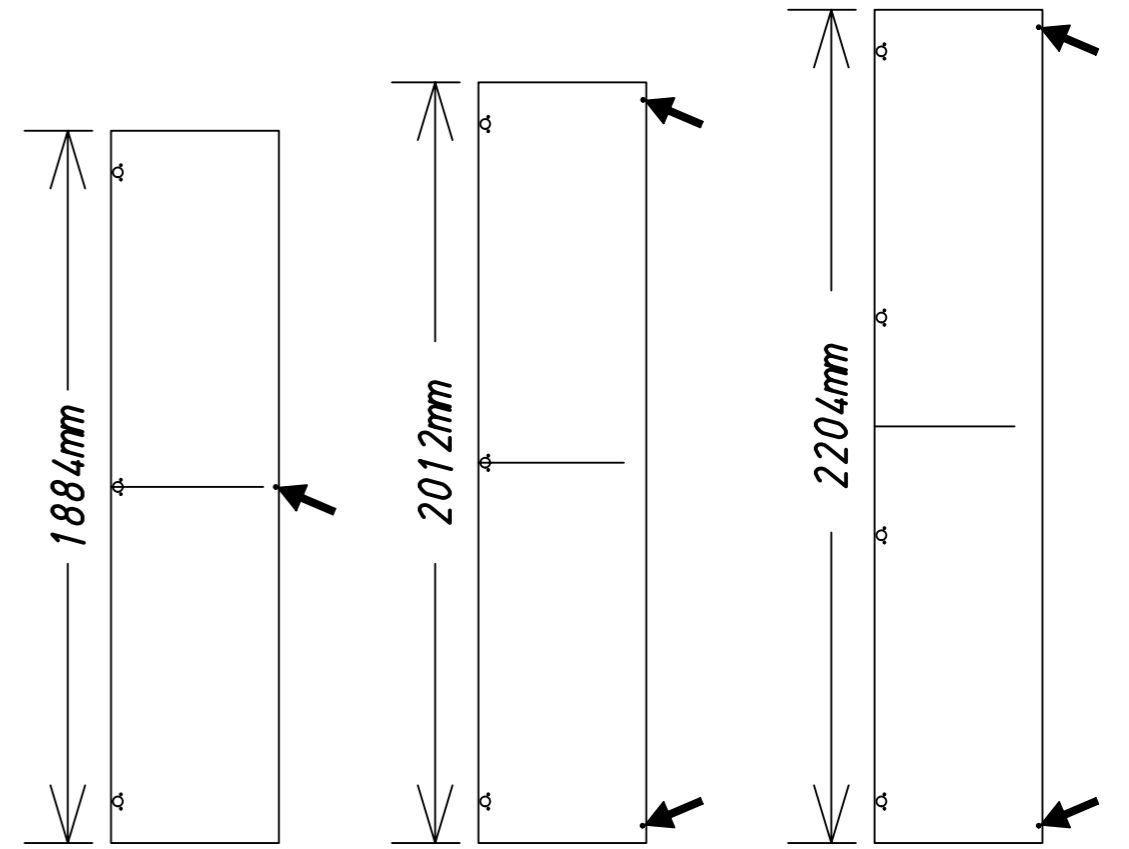
1.

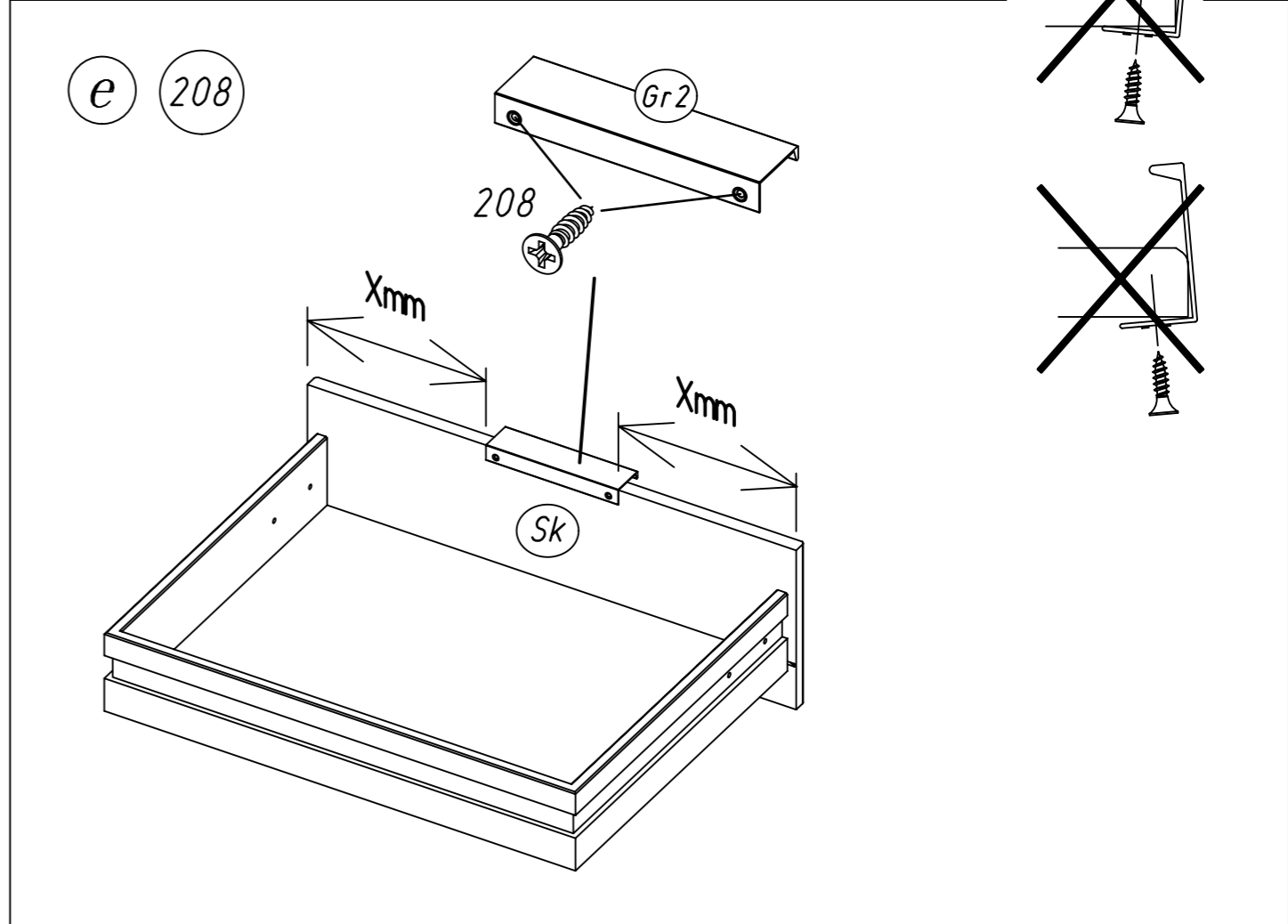
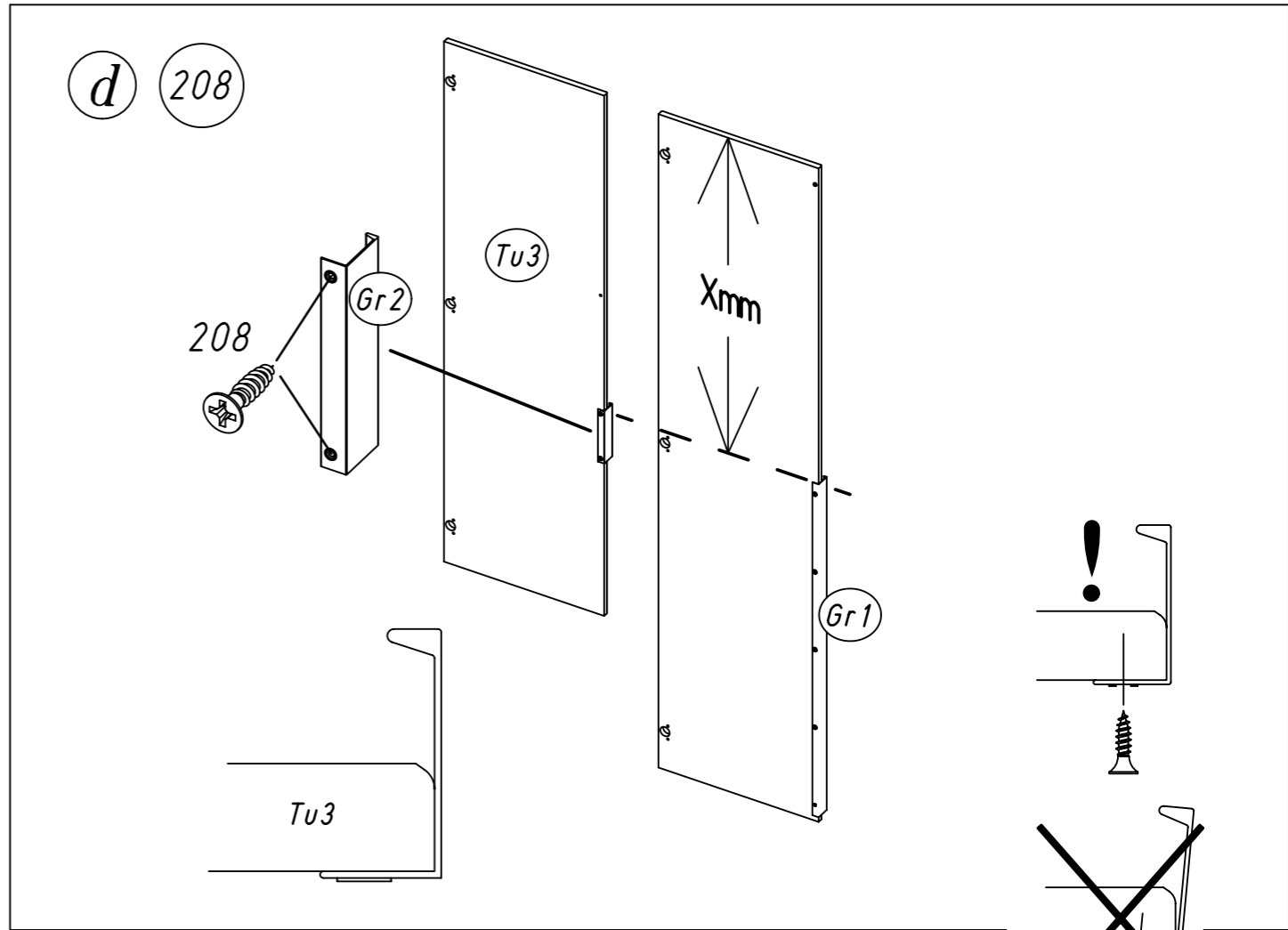
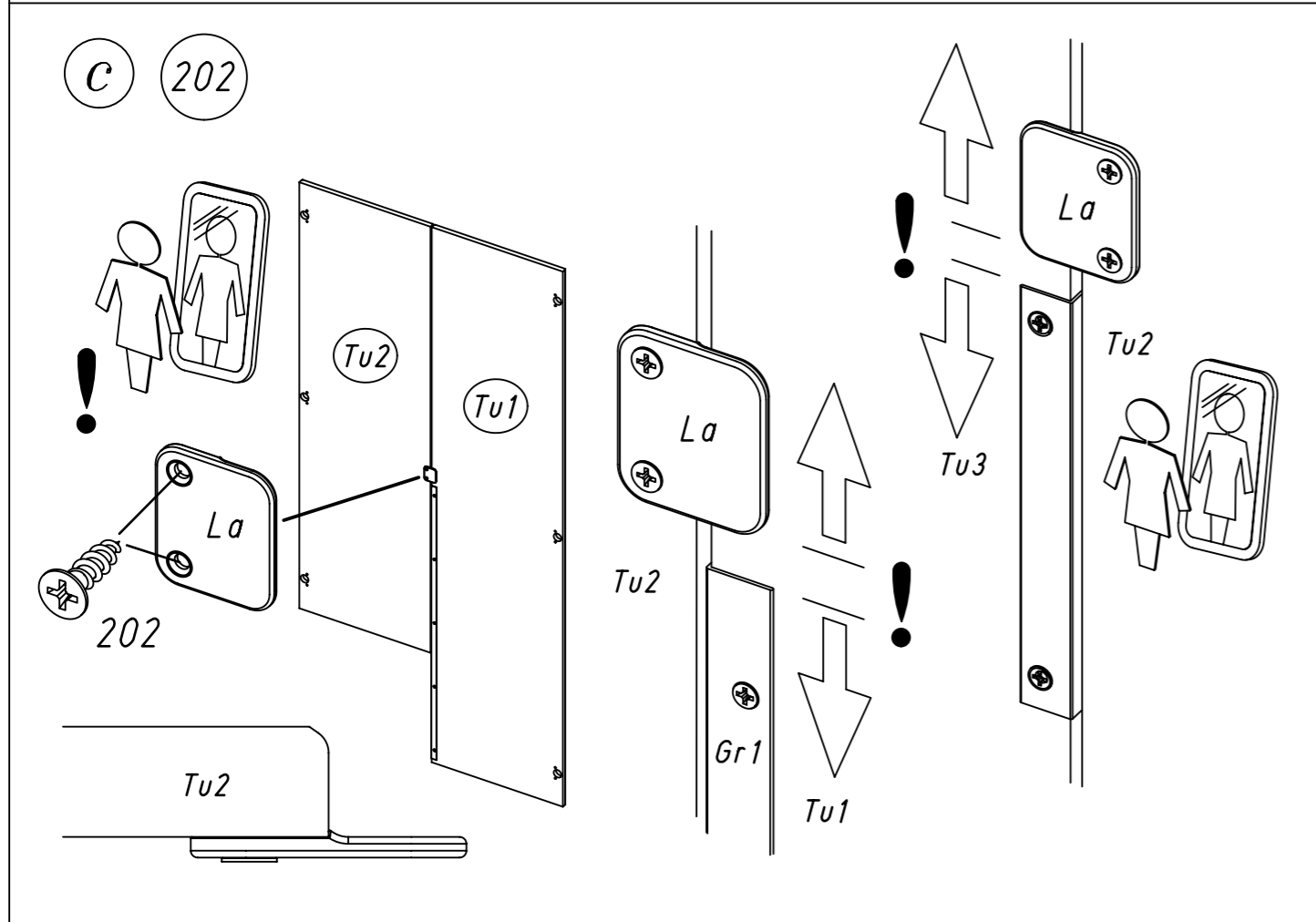
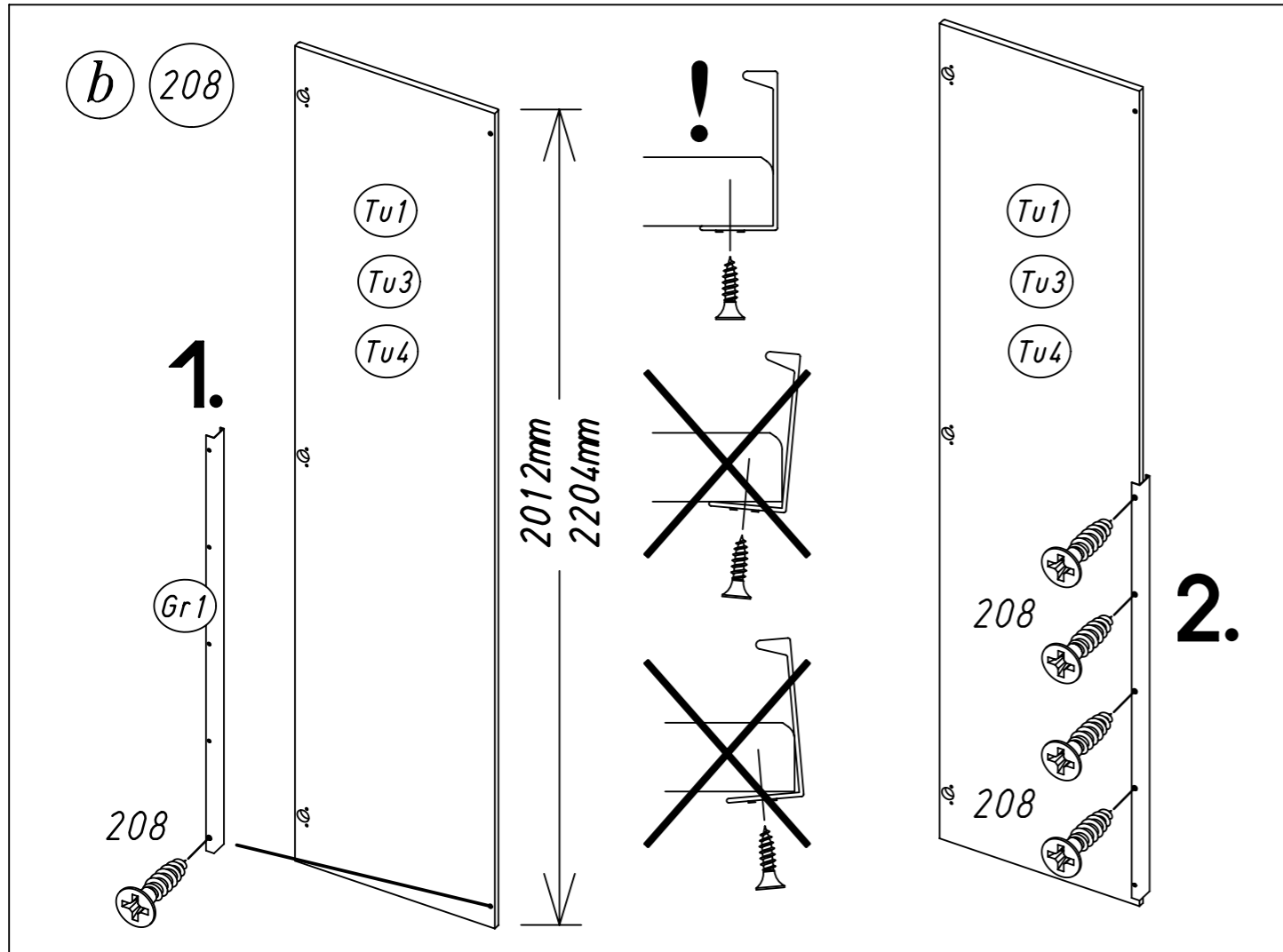
MZ056_01

rauch



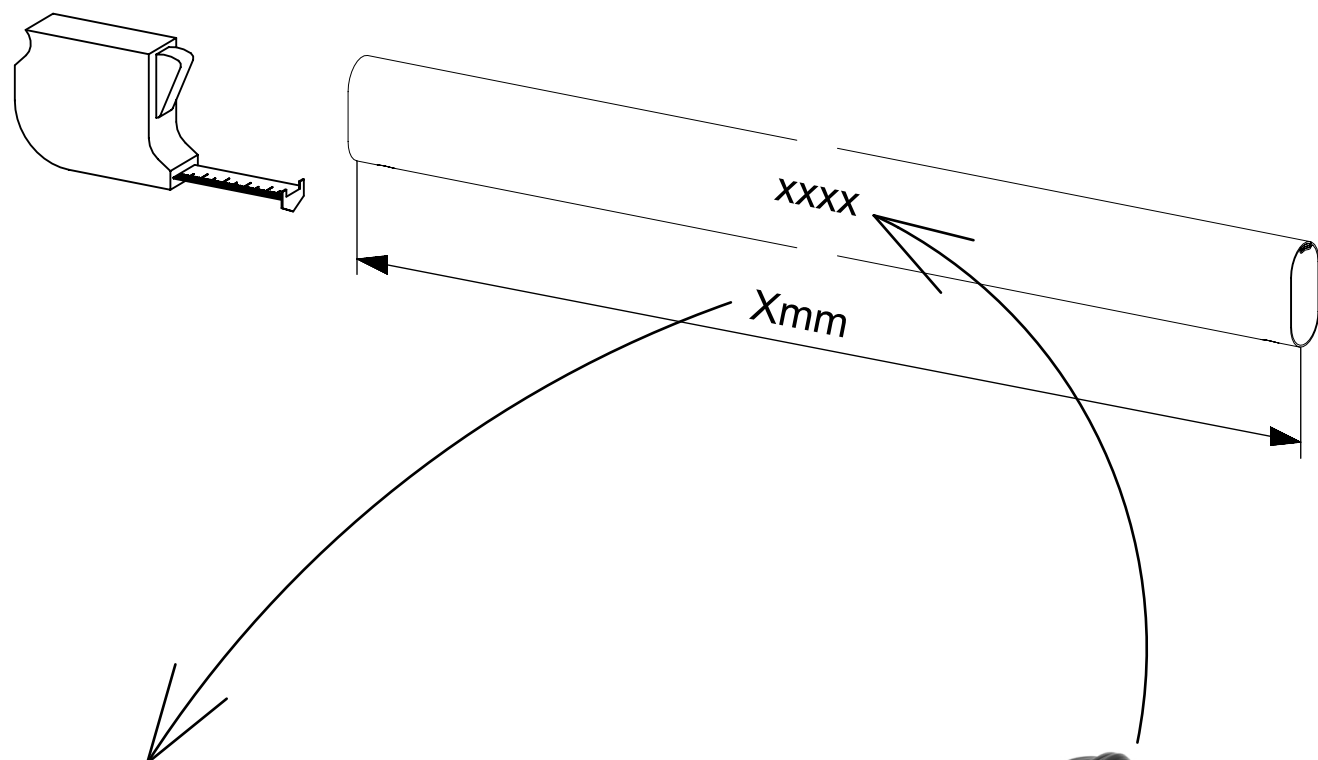
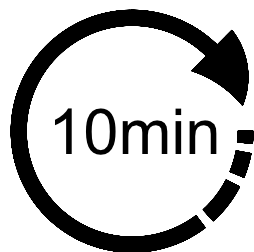
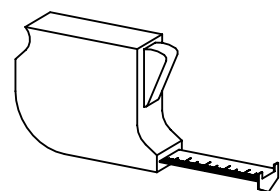
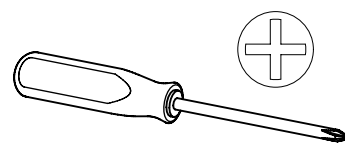
2.





MZ110_03

rauch



Xmm		xxxx
393mm	max. 40kg	2000
426mm	max. 40kg	2001
563mm	max. 40kg	2002
650mm	max. 40kg	2003
809mm	max. 40kg	2004
873mm	max. 40kg	2006
890mm	max. 40kg	2010
1097mm	max. 40kg	2008

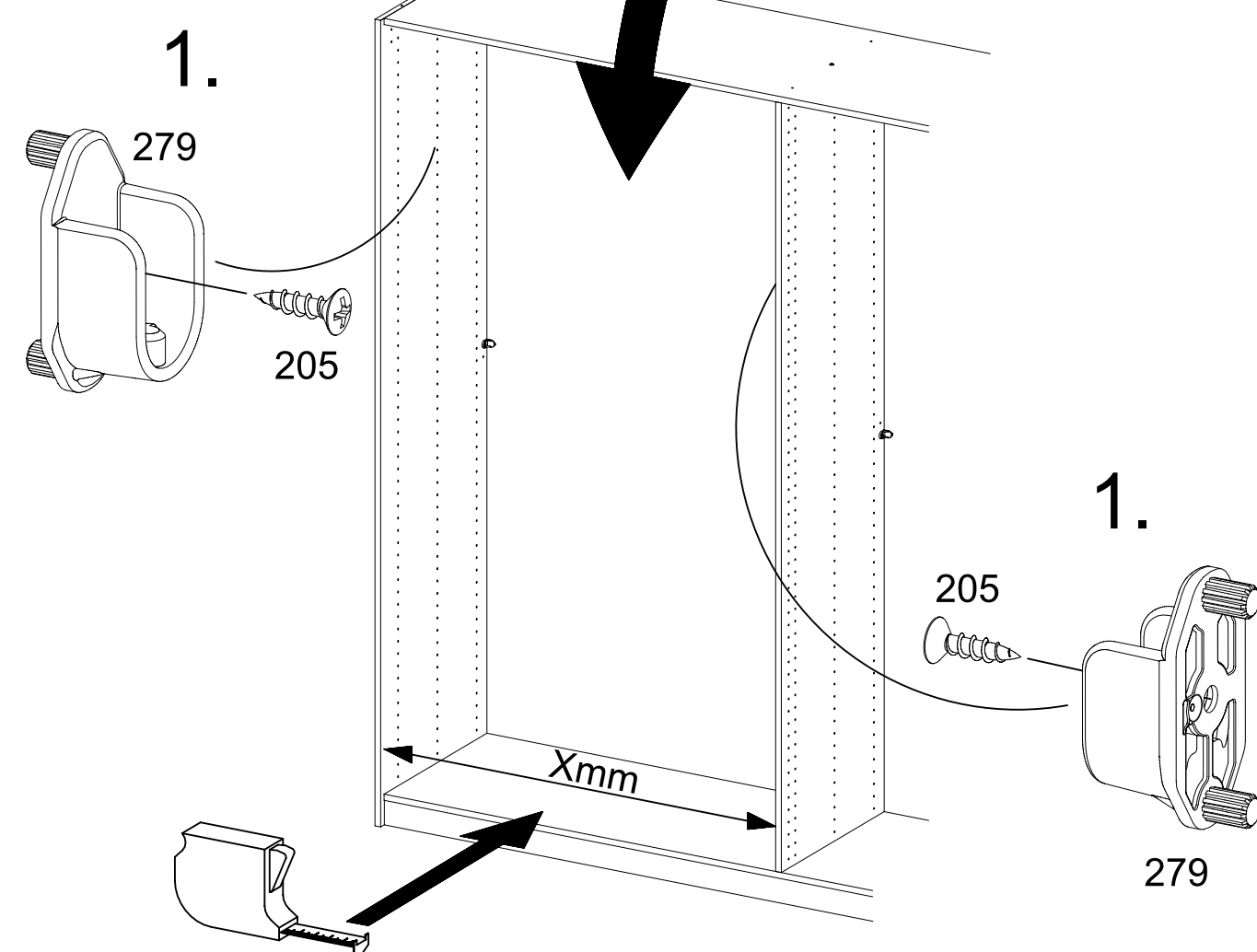
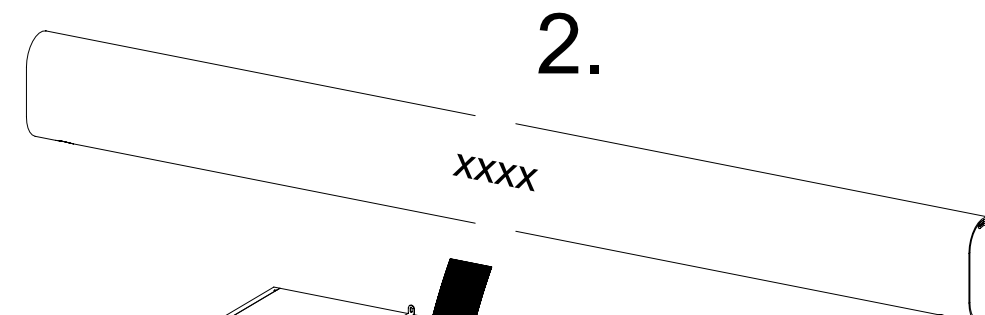
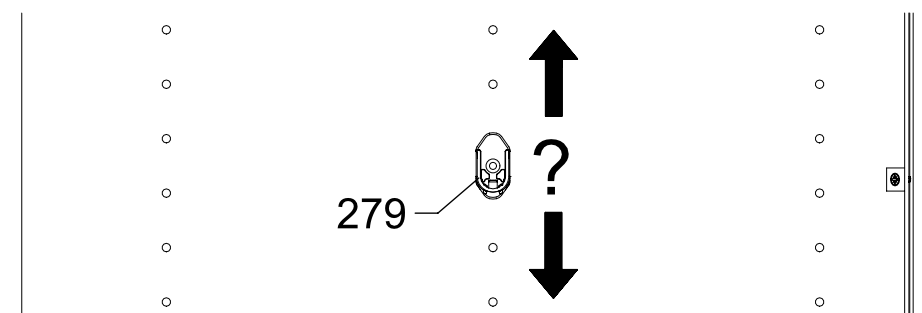
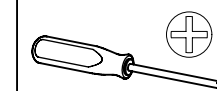
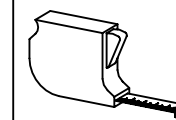


xxxx = 2000, 2001, 2002, 2003, 2004, 2006, 2008, 2010,

1

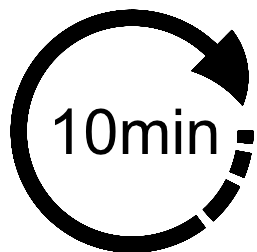
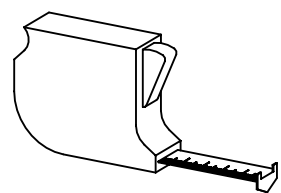
2x (205) 3,5x15

2x (279)

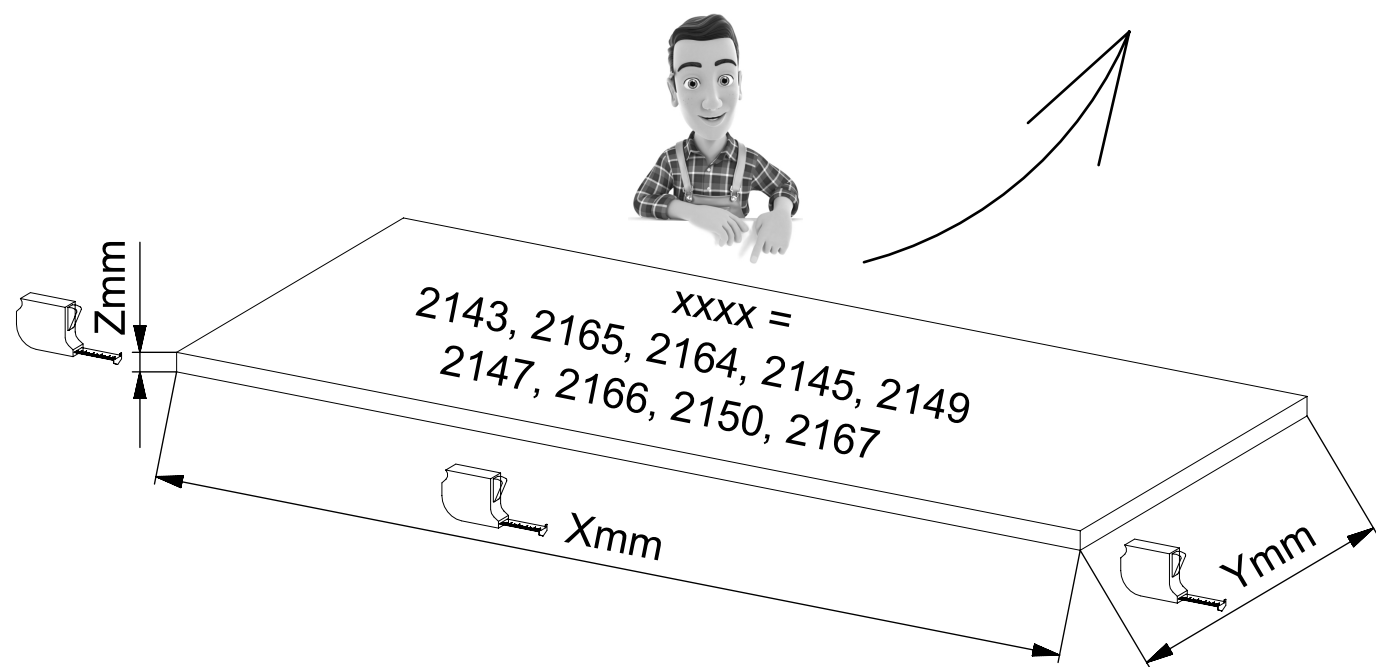


MZ112_05

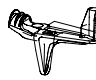
rauch

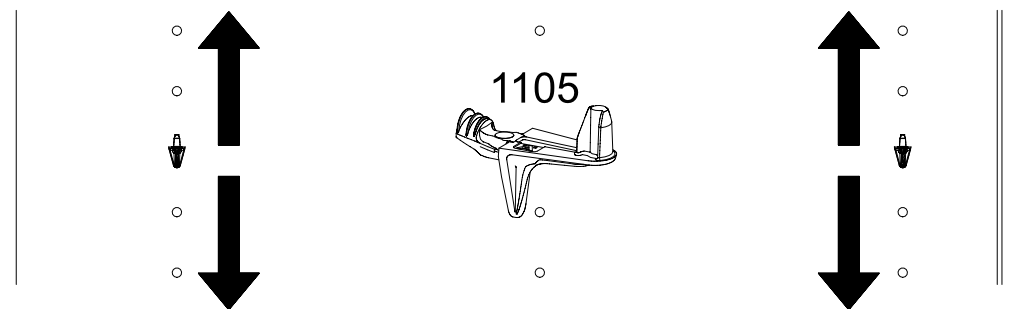


Xmm	Ymm	Zmm	 	xxxx
432mm	450mm	16mm	max. 10kg	2143
632mm	450mm	16mm	max. 10kg	2164
656mm	450mm	16mm	max. 10kg	2145
848mm	450mm	16mm	max. 10kg	2149
880mm	450mm	16mm	max. 10kg	2147
1064mm	450mm	22mm	max. 25kg	2150
848mm	395mm	16mm	max. 10kg	2167

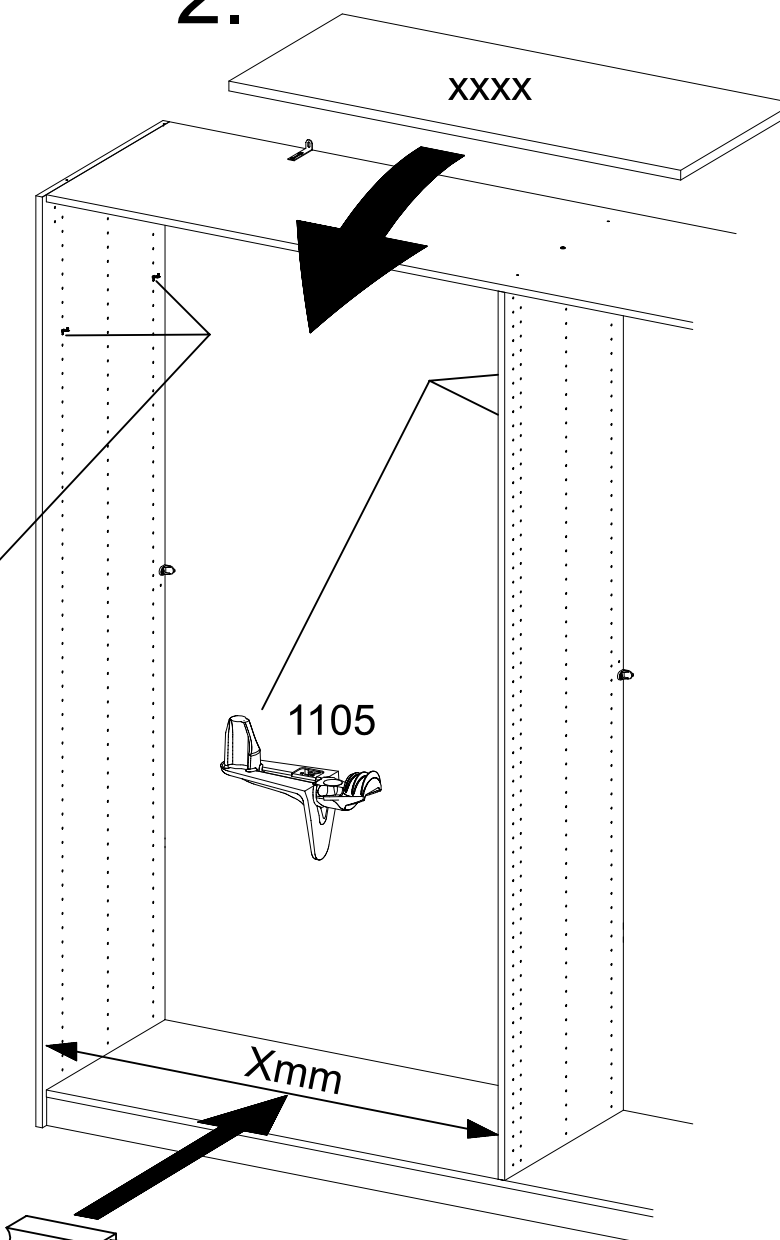


1

4x 1105 



2.



3.

