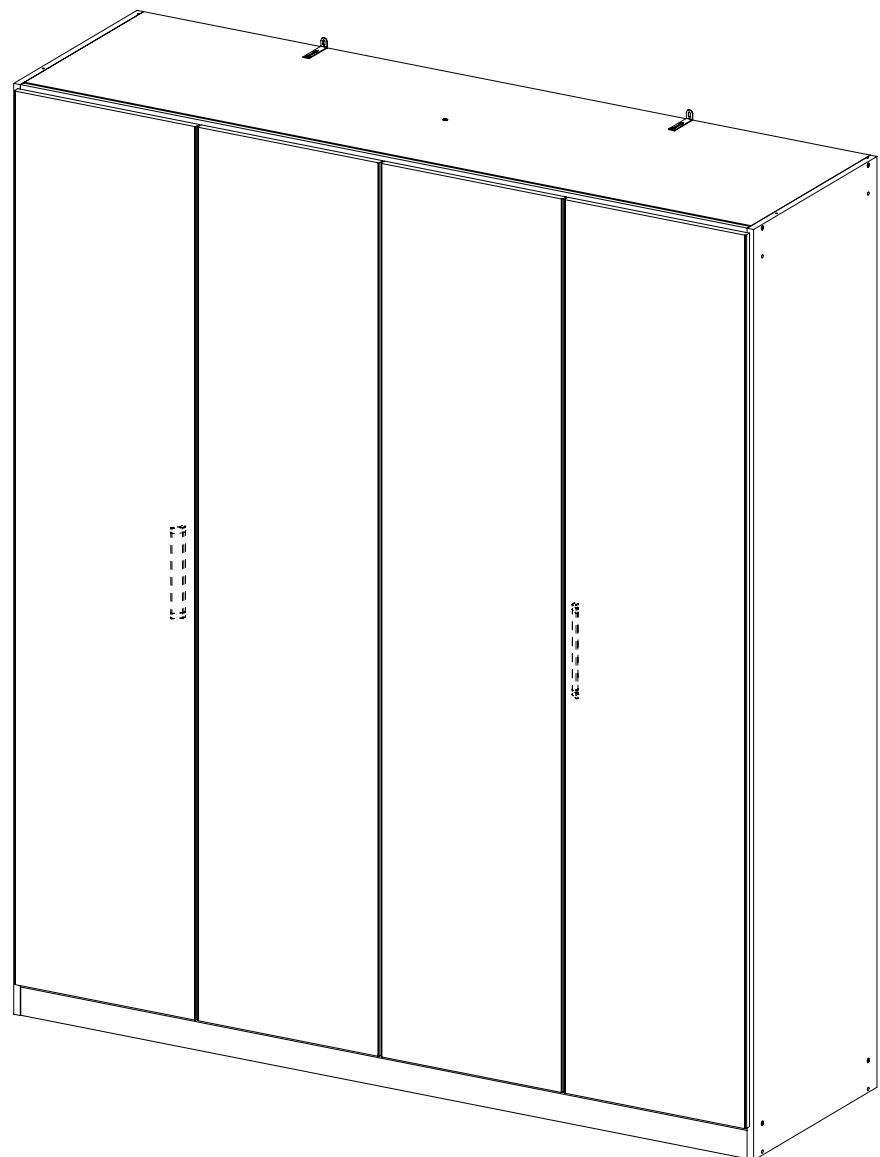
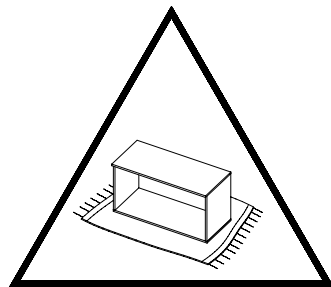
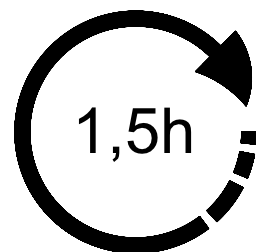
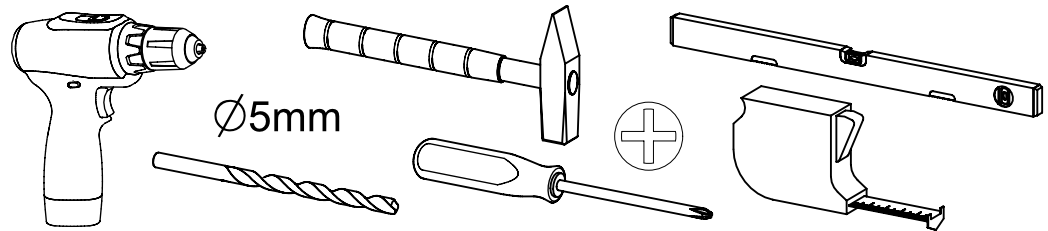
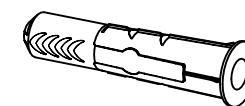
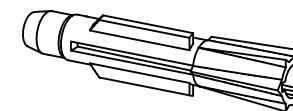
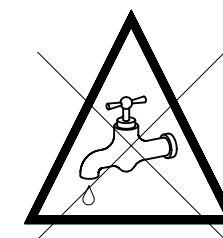
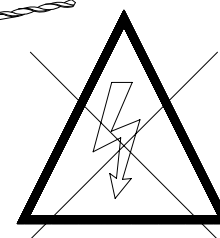
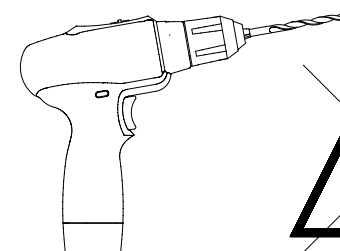
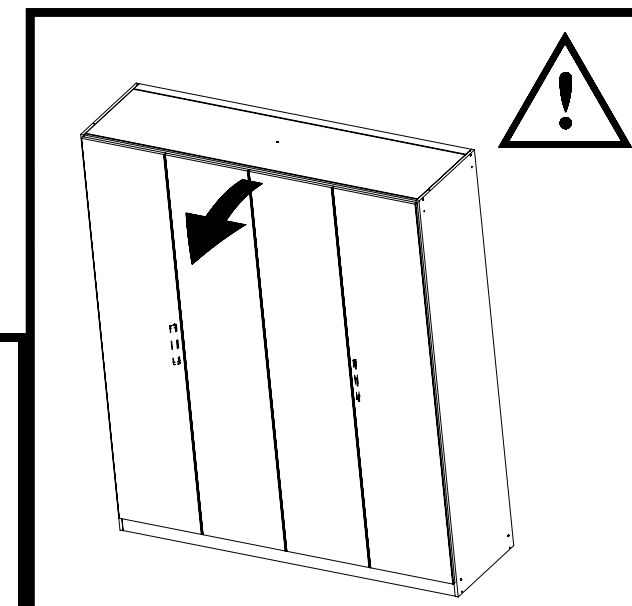
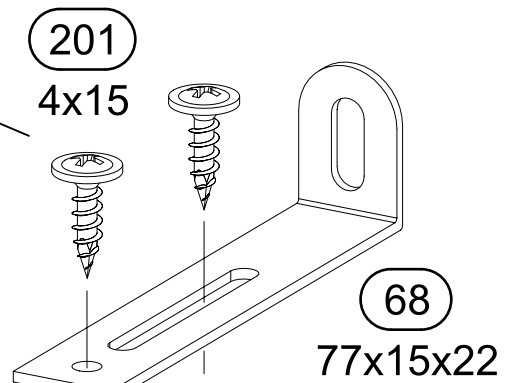
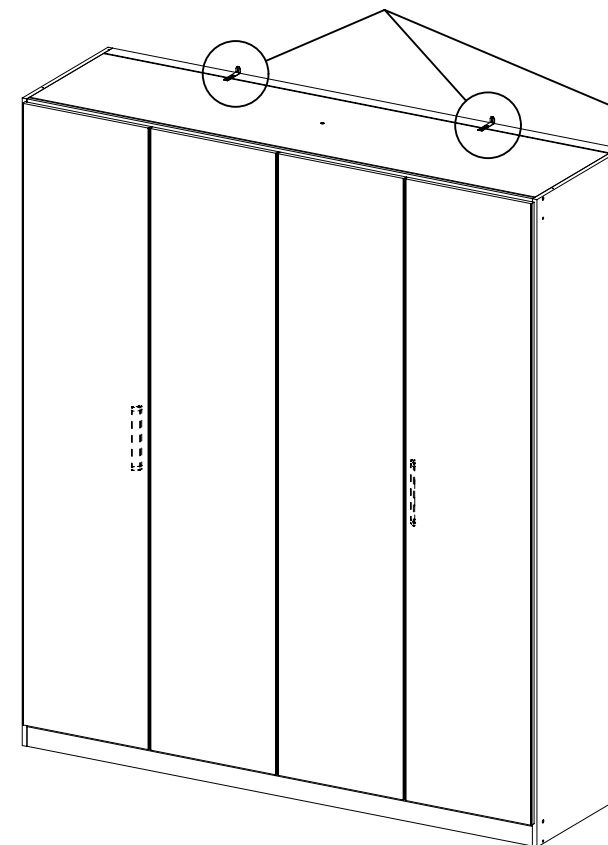


1.

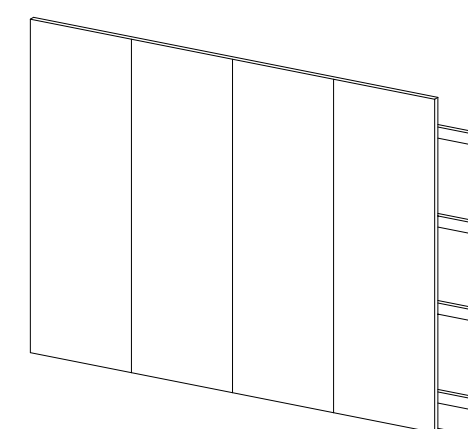
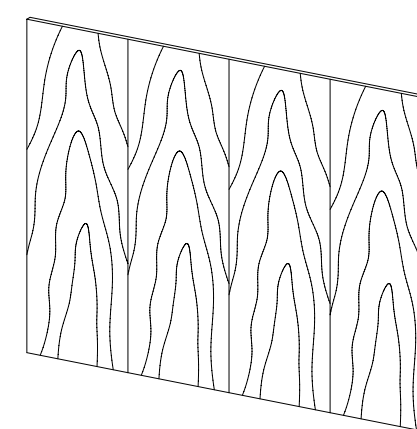
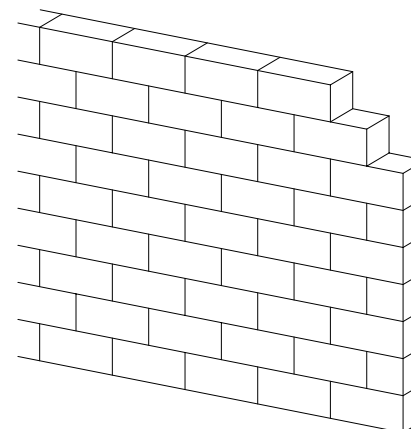
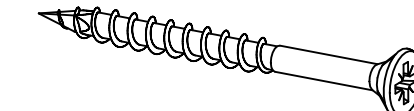
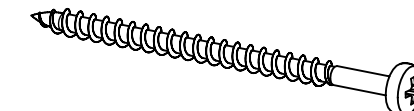
M1792_06

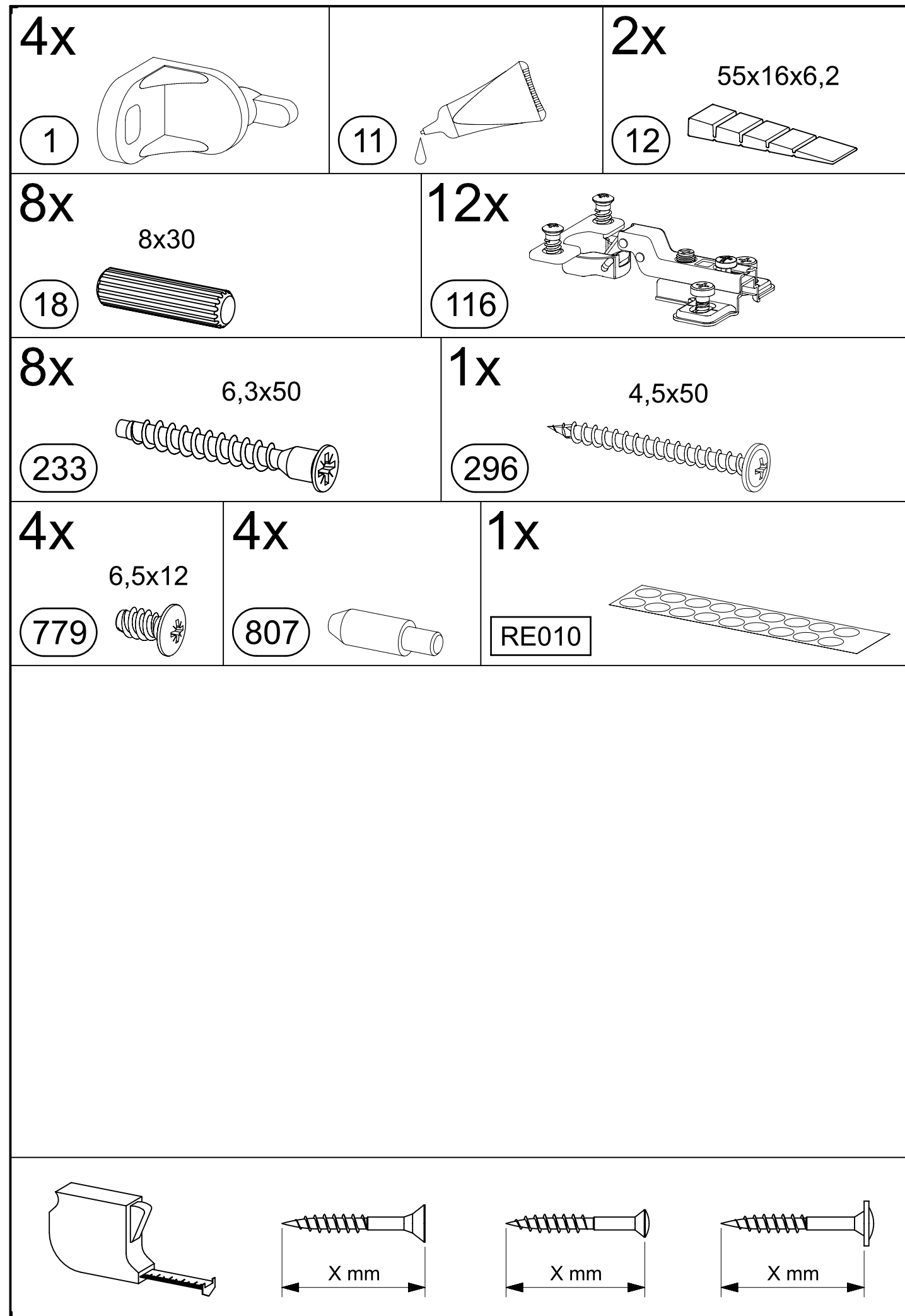
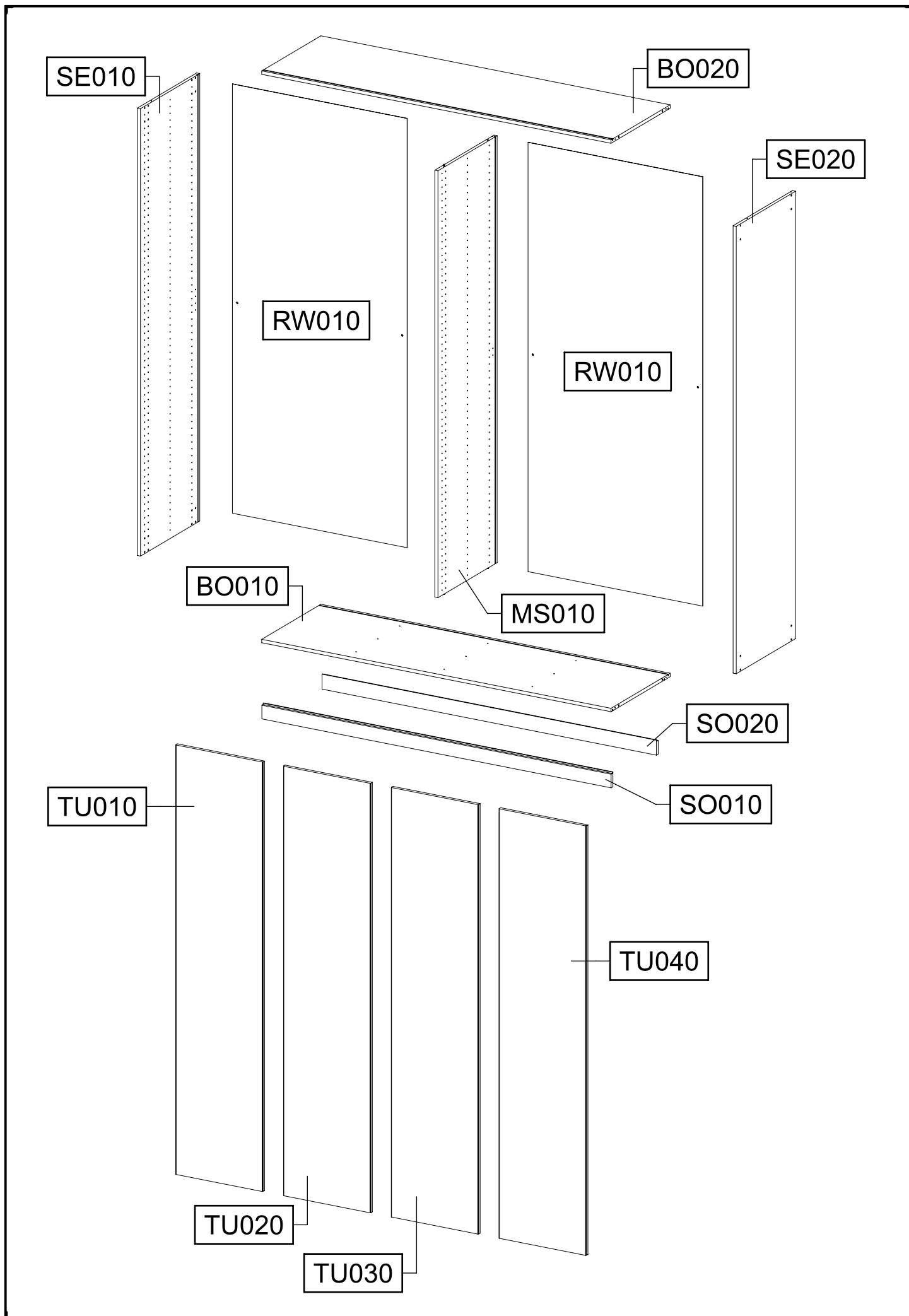


2.

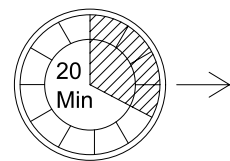
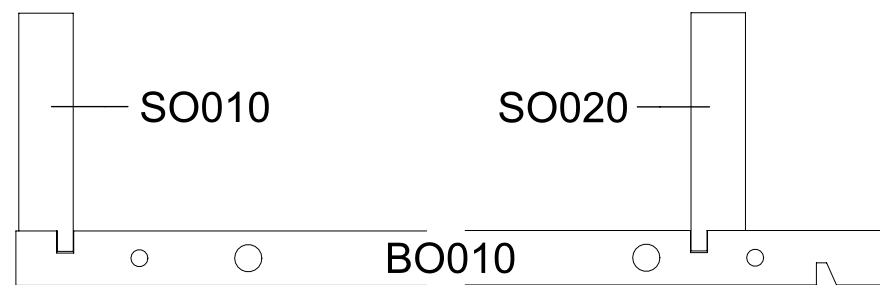
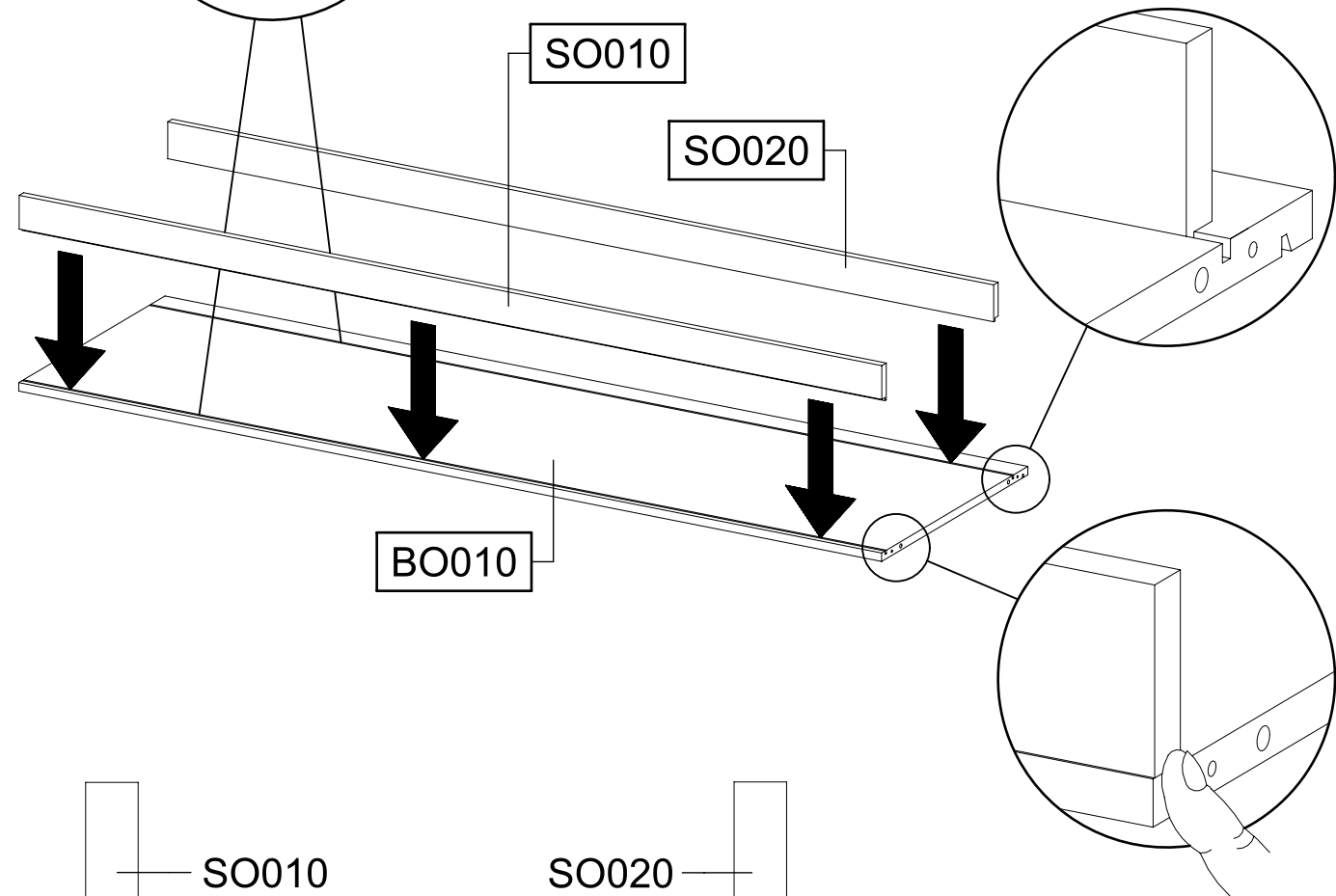
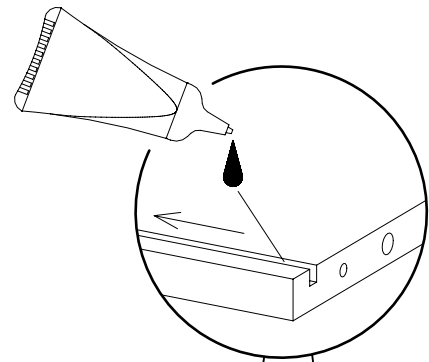
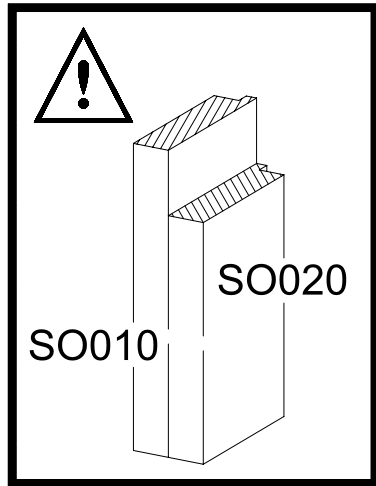
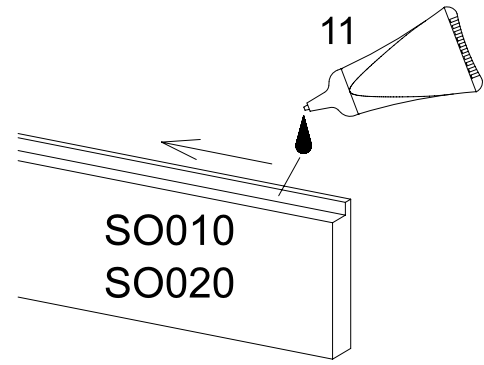
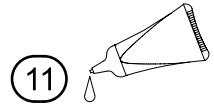


ØXmm



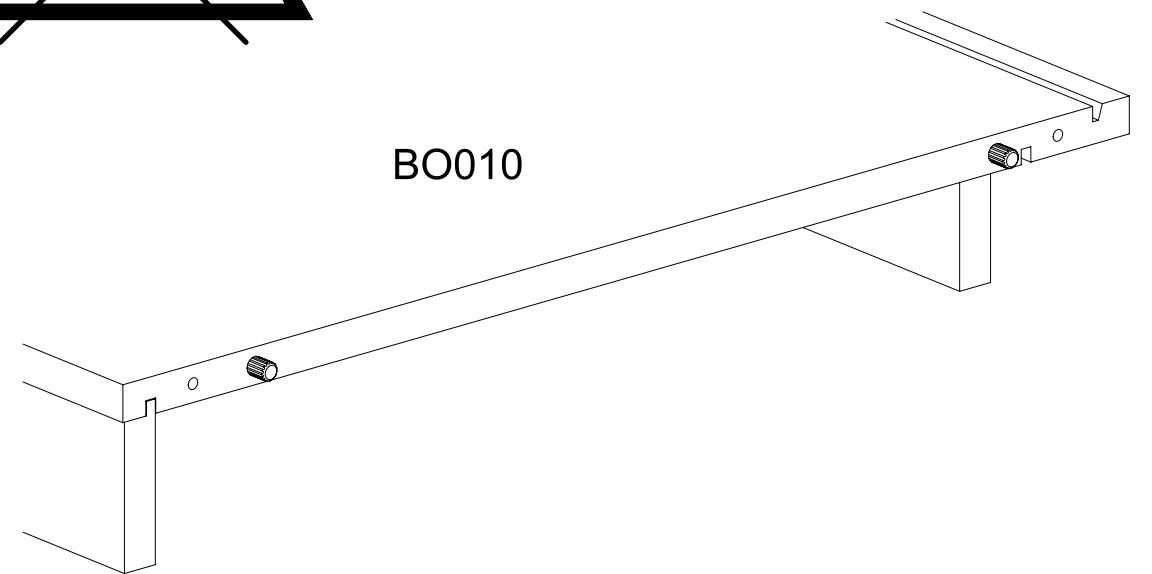
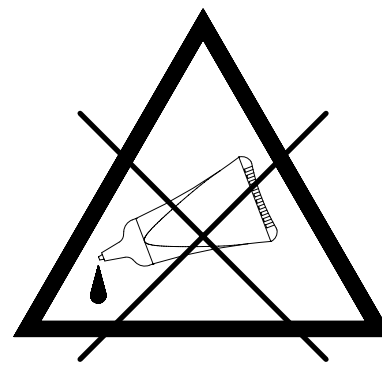
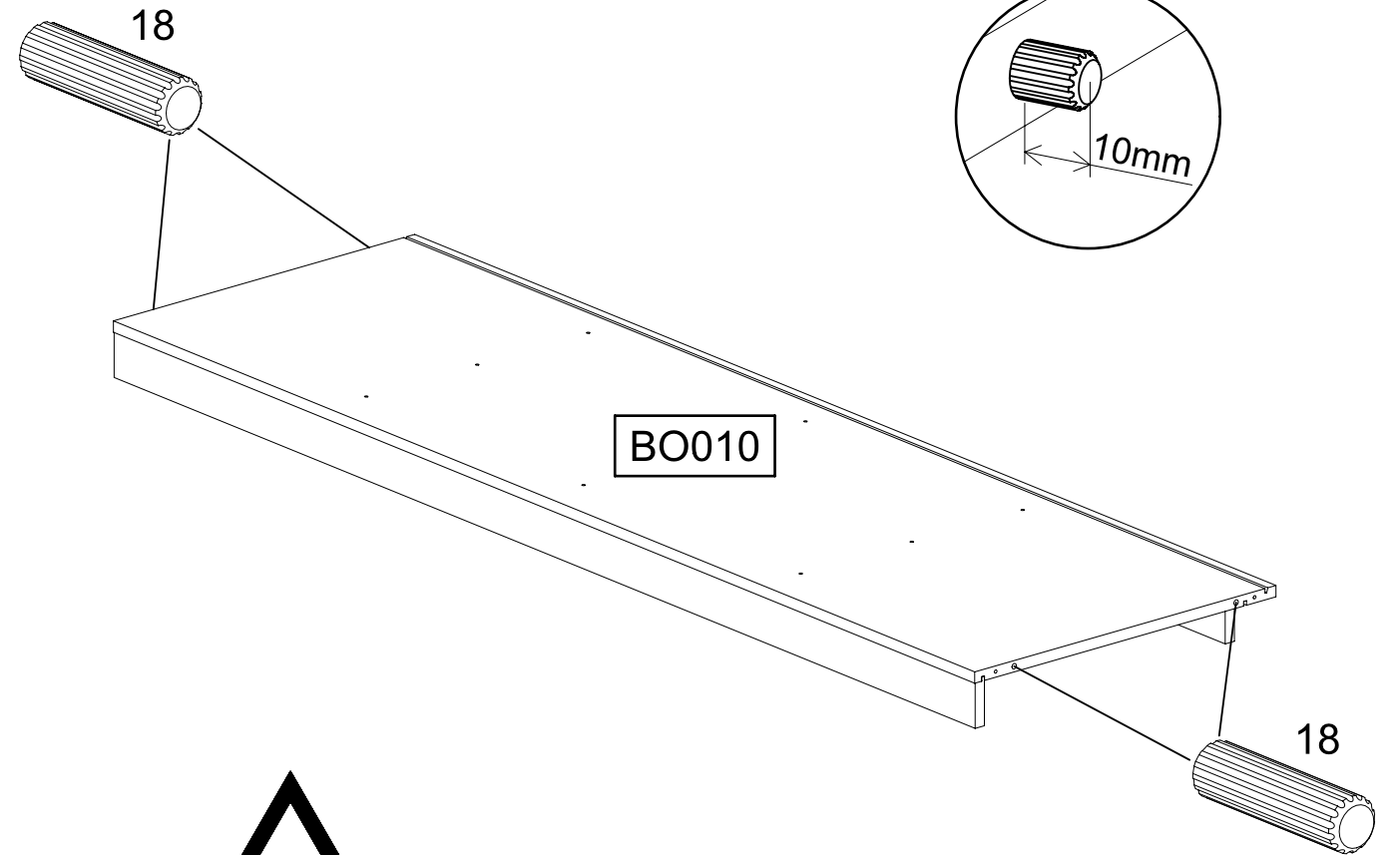
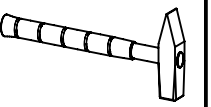


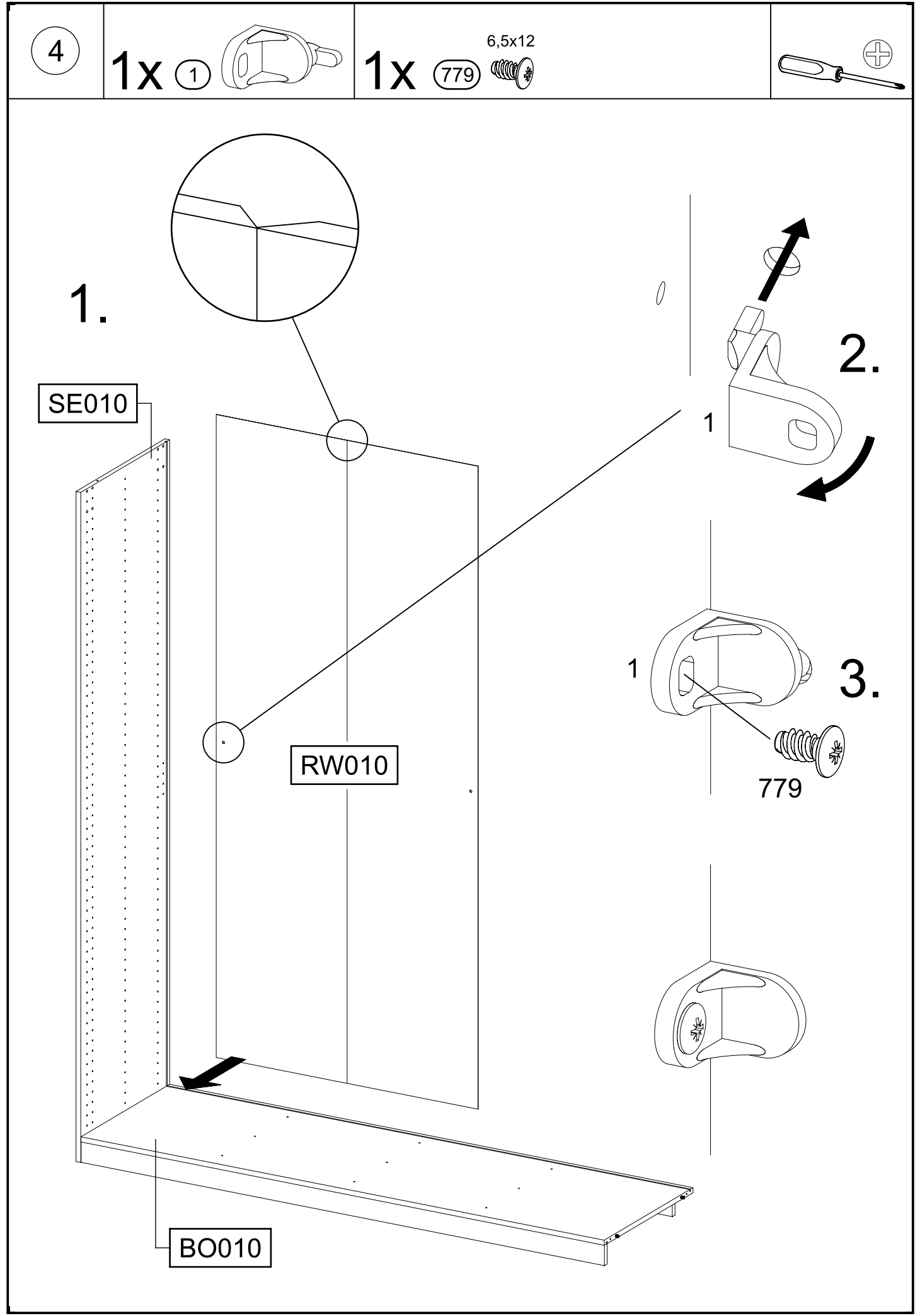
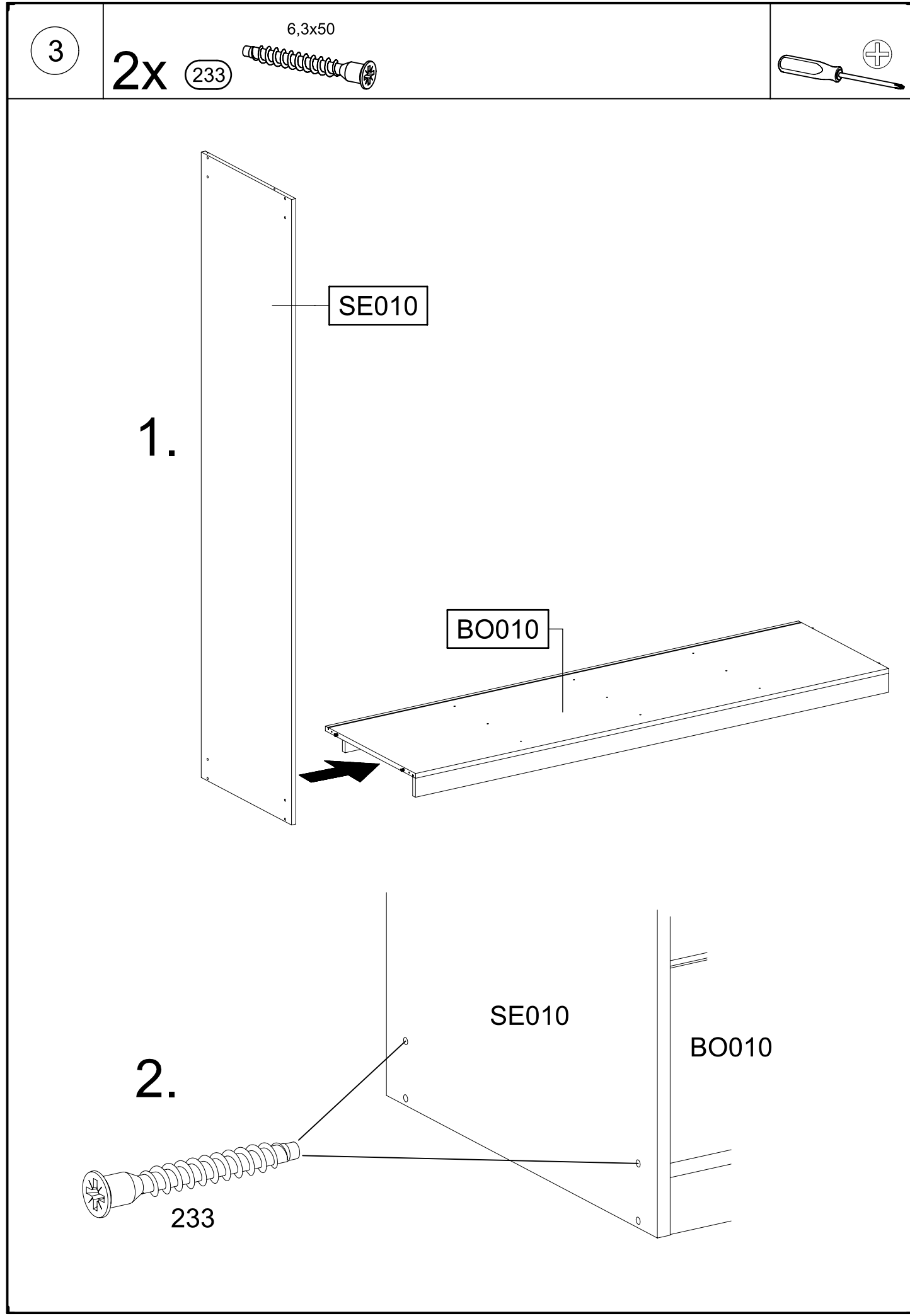
1



2

4x 18 8x30

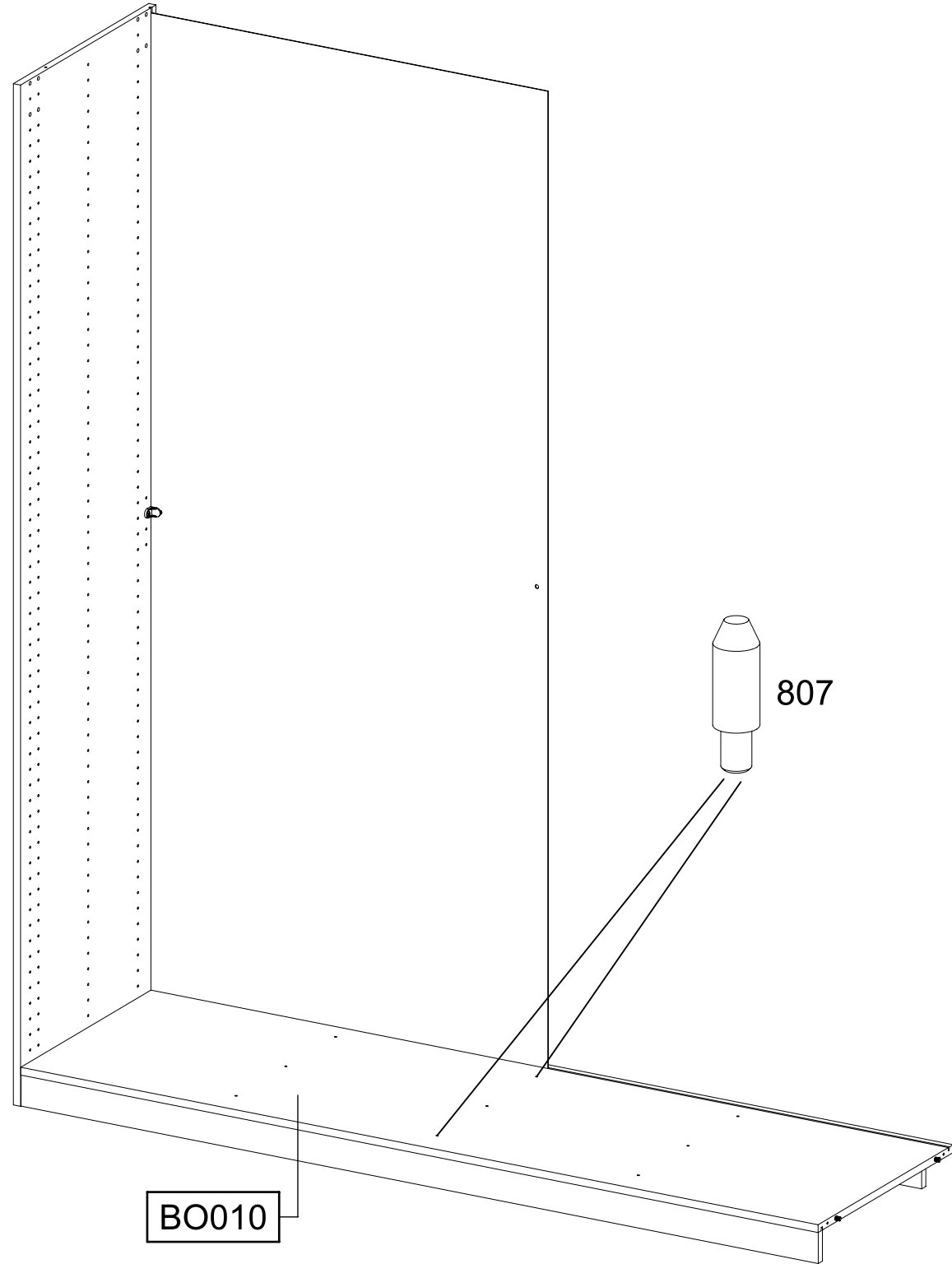
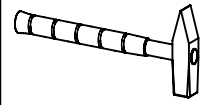
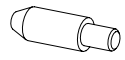




5

2x

807



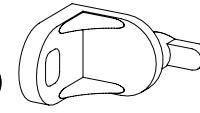
BO010

807

6

1x

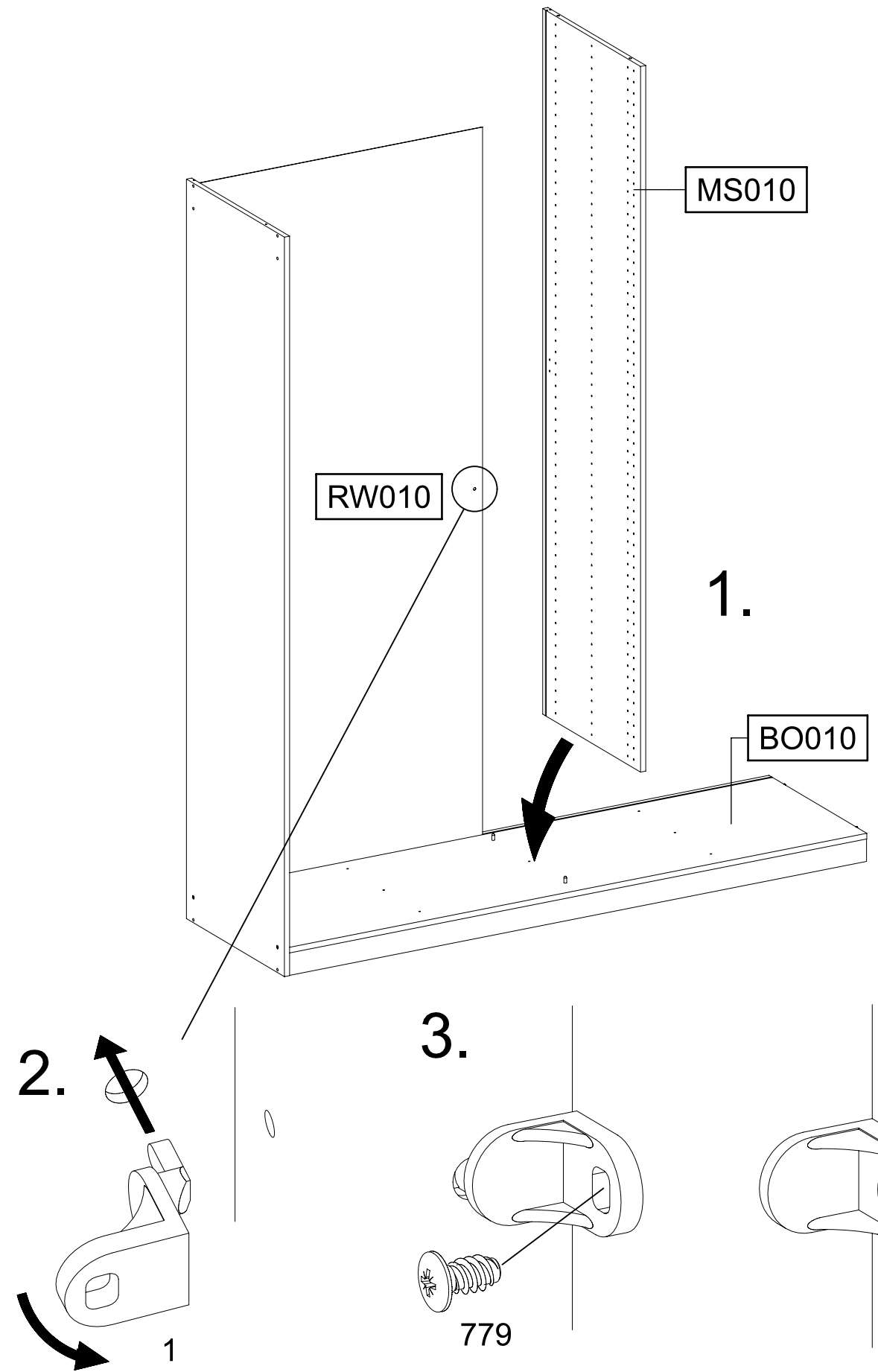
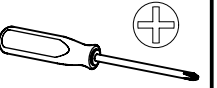
1



1x

779

6,5x12



RW010

MS010

1.

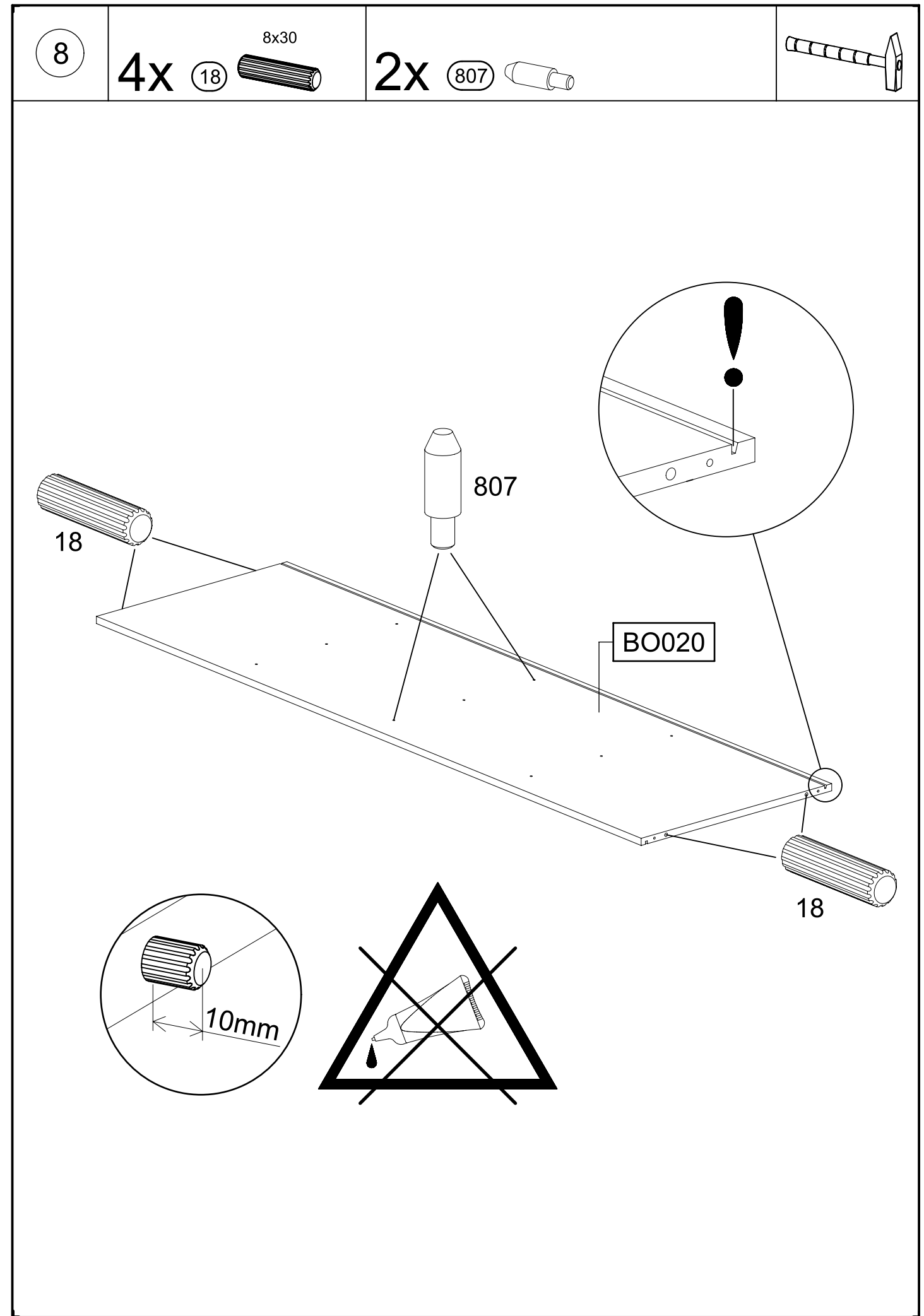
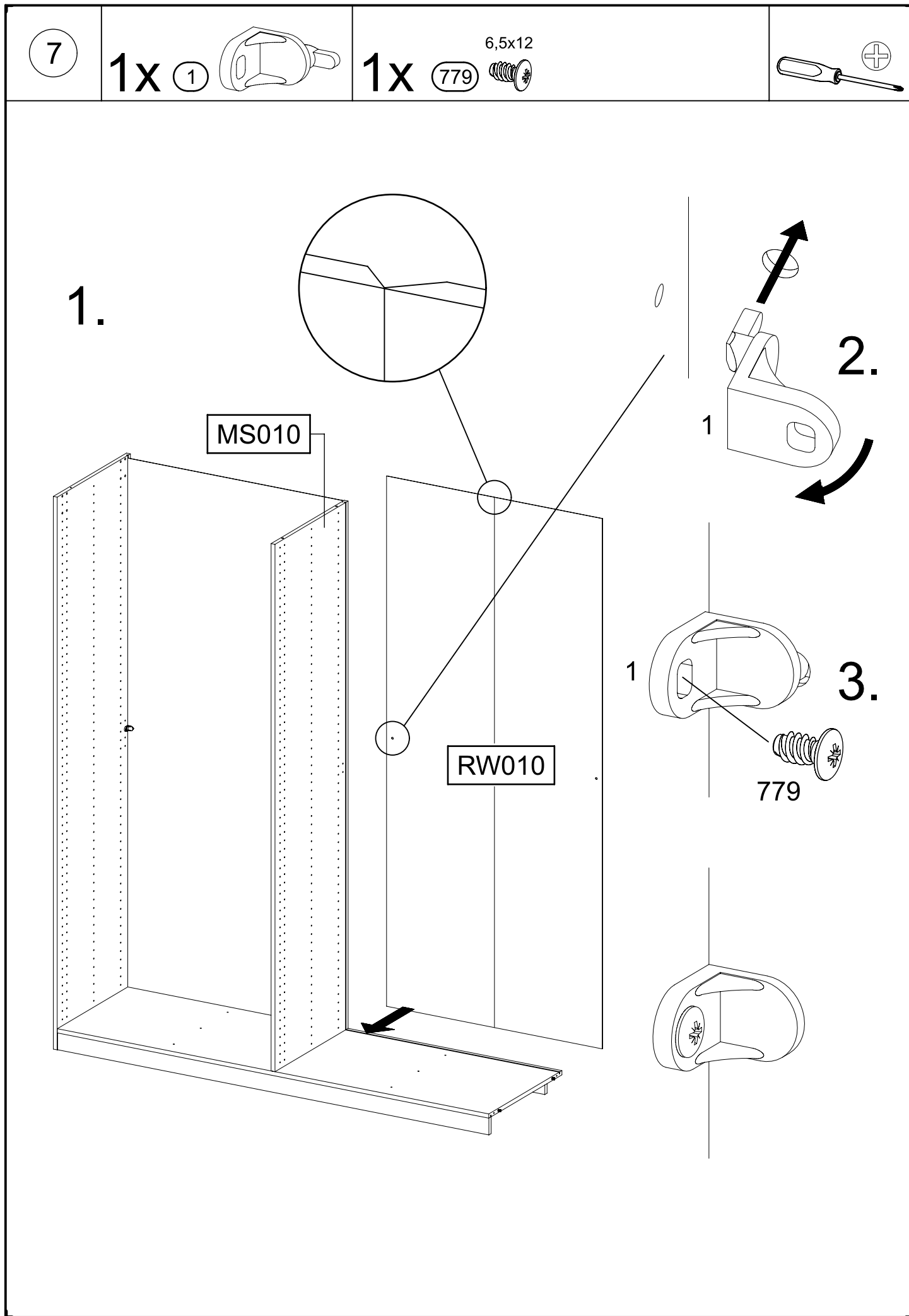
BO010

2.

3.

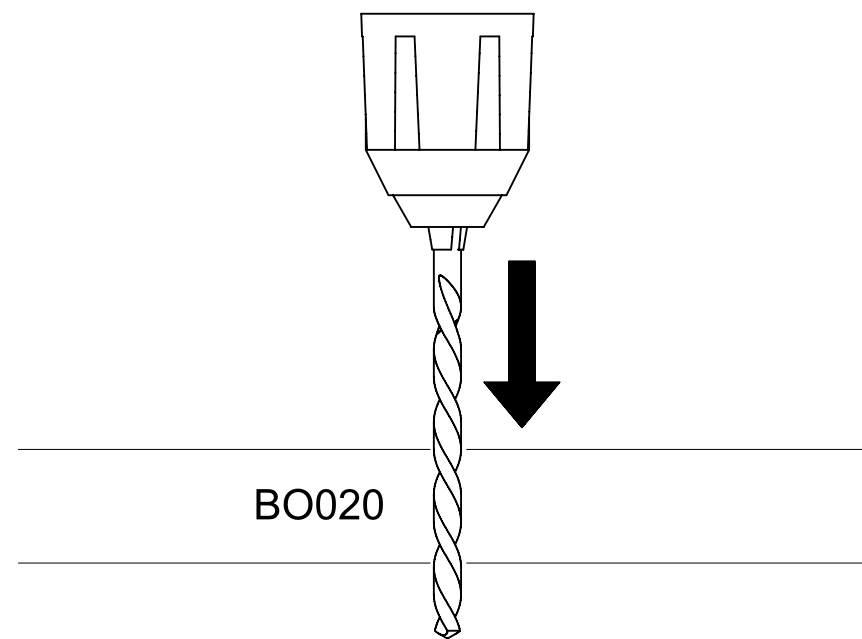
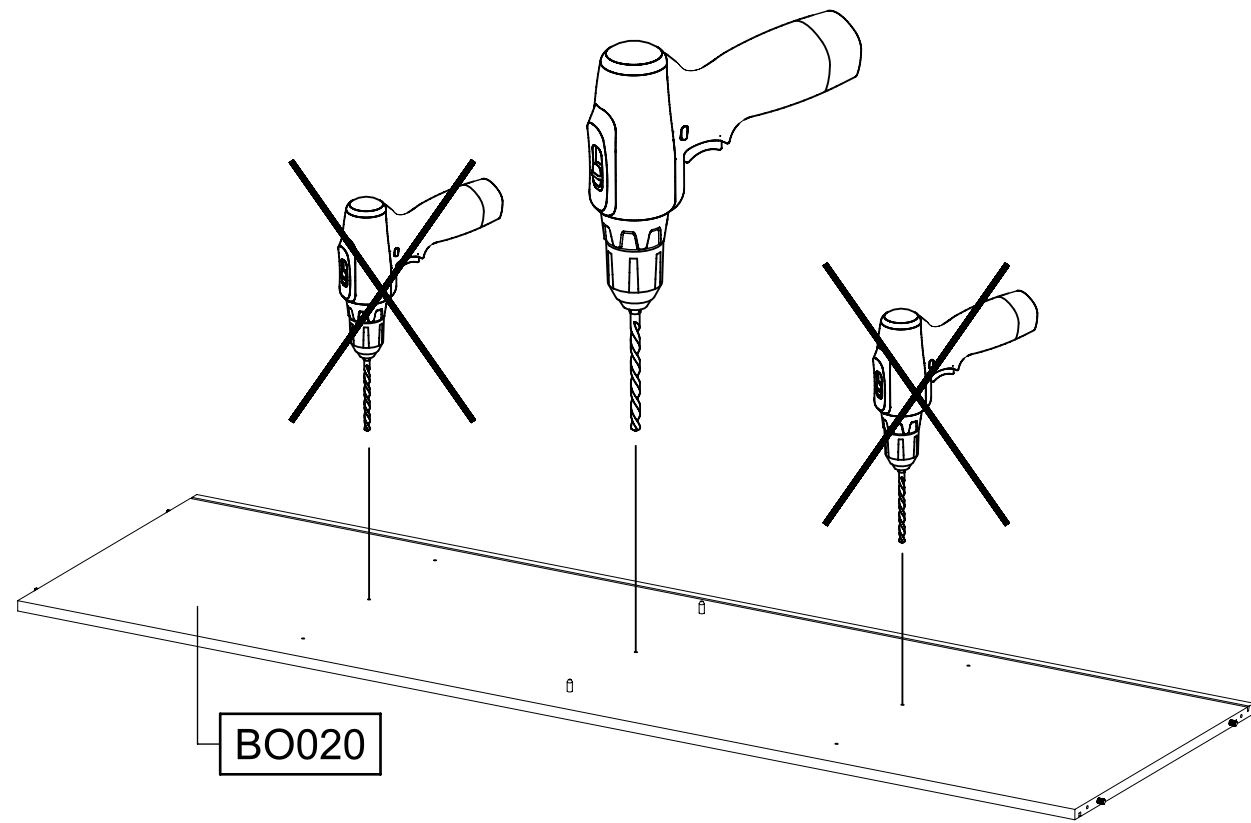
1

779



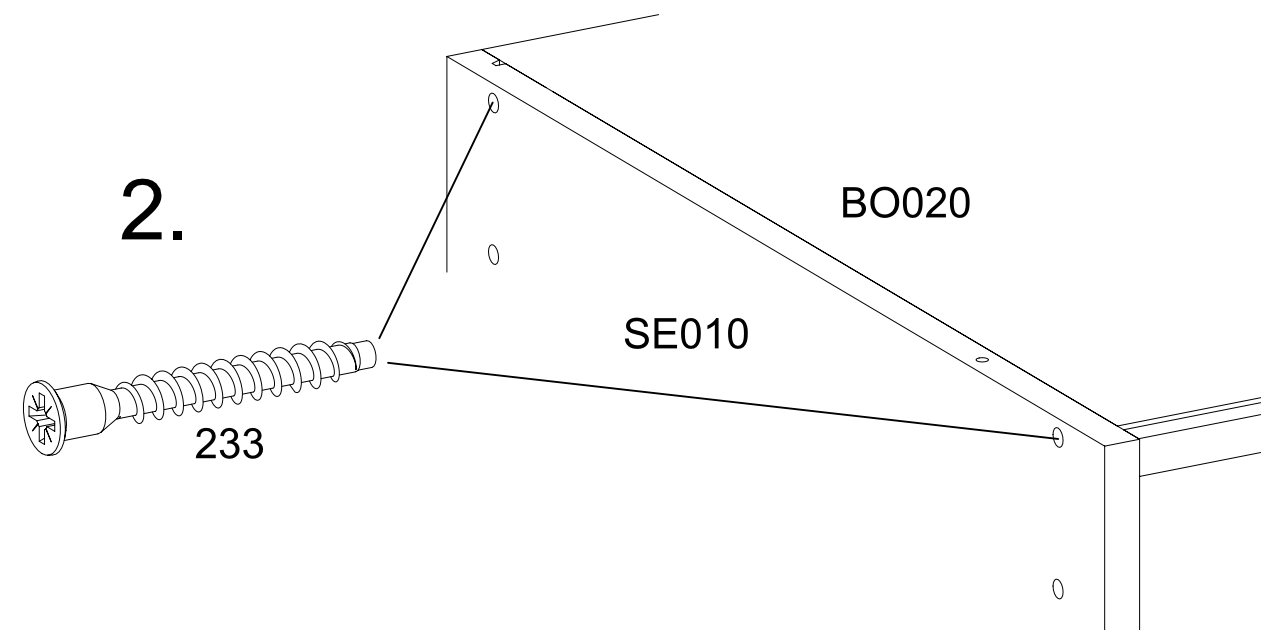
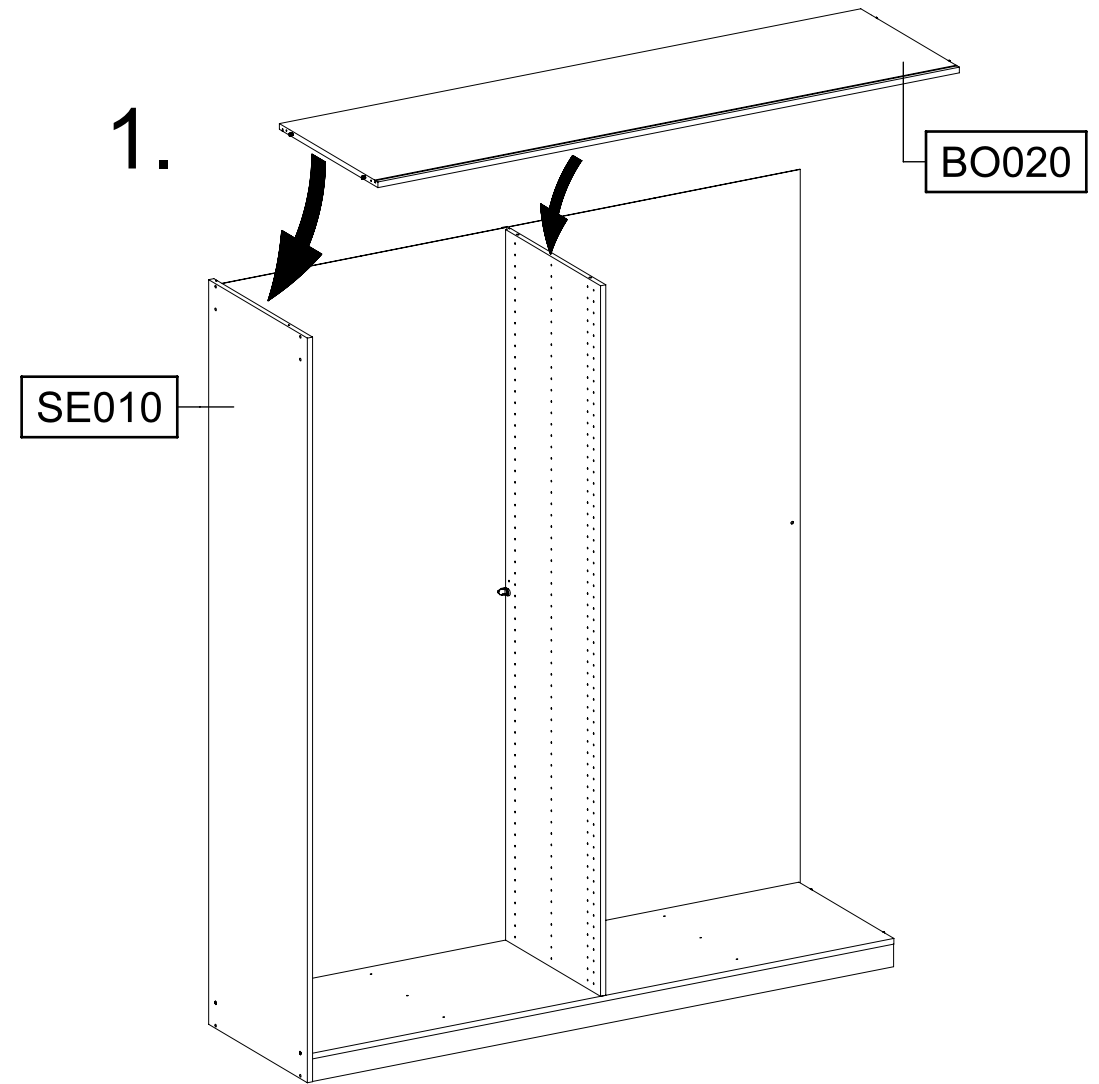
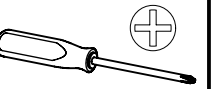
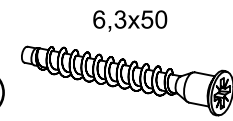
9

Ø5mm



10

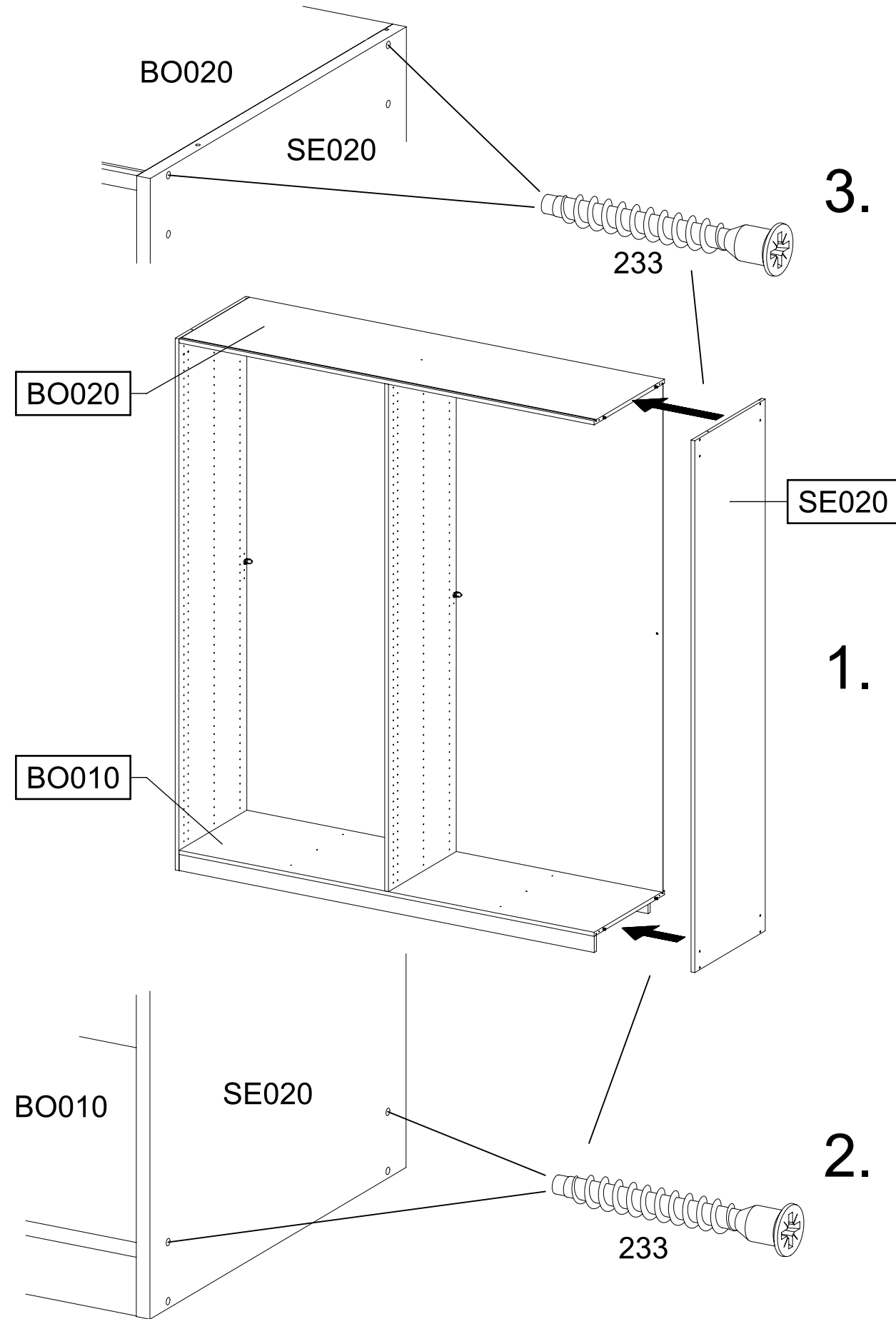
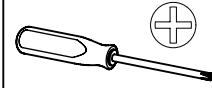
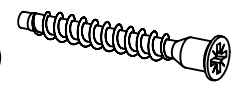
2x 233



11

4x 233

6,3x50



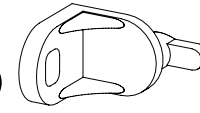
3.

1.

2.

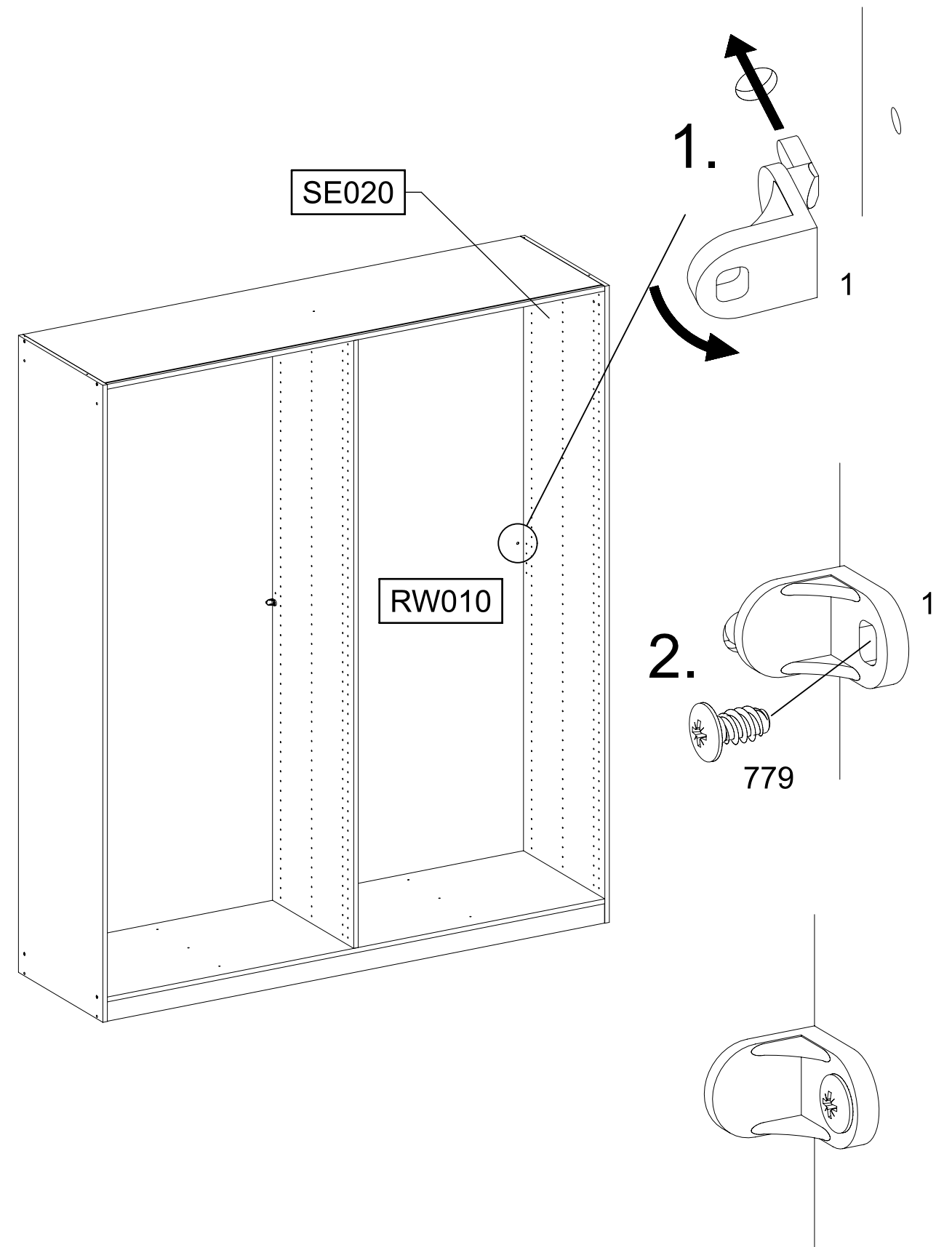
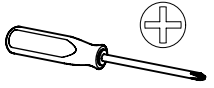
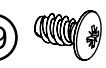
12

1x 1



1x 779

6,5x12



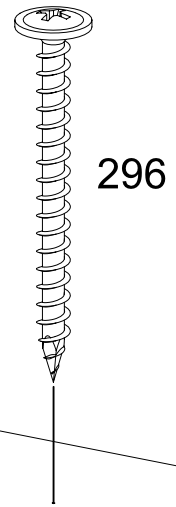
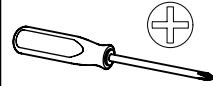
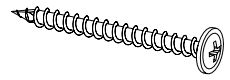
1.

2.

13

1x (296)

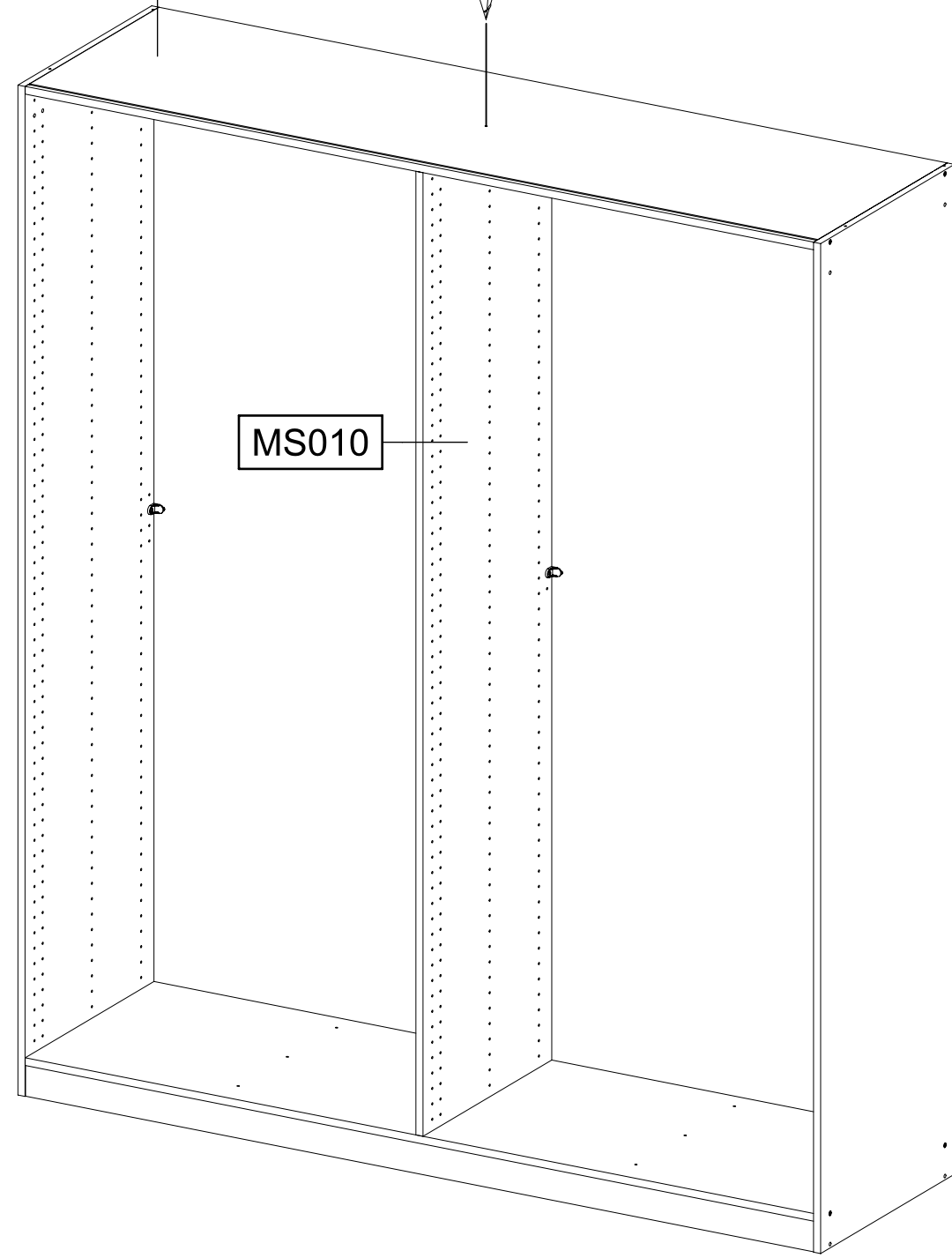
4,5x50



296

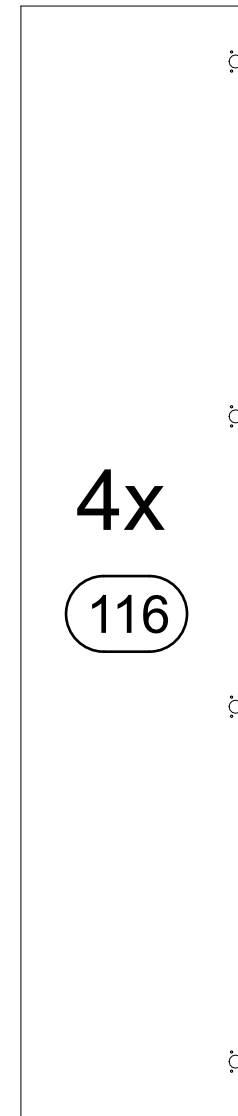
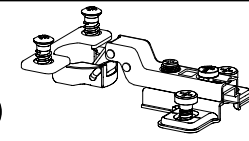
BO020

MS010



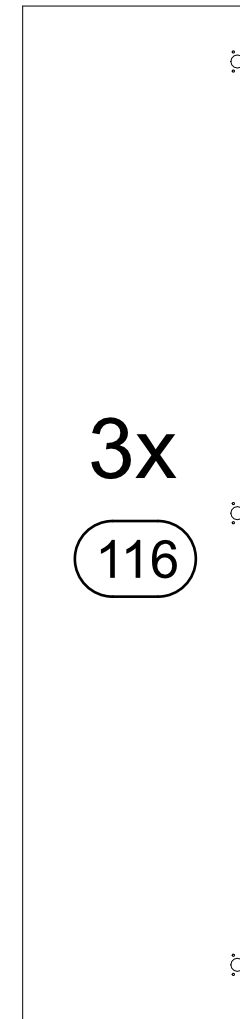
14

(116)



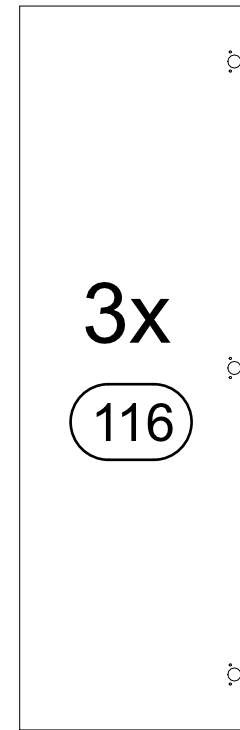
4x

(116)



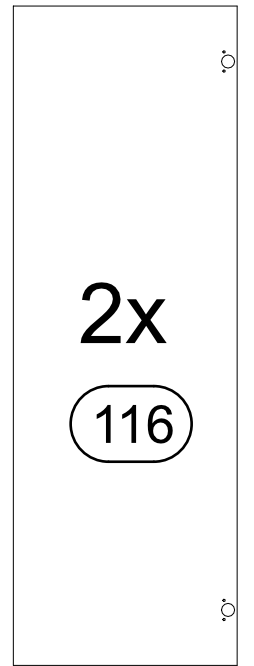
3x

(116)



3x

(116)

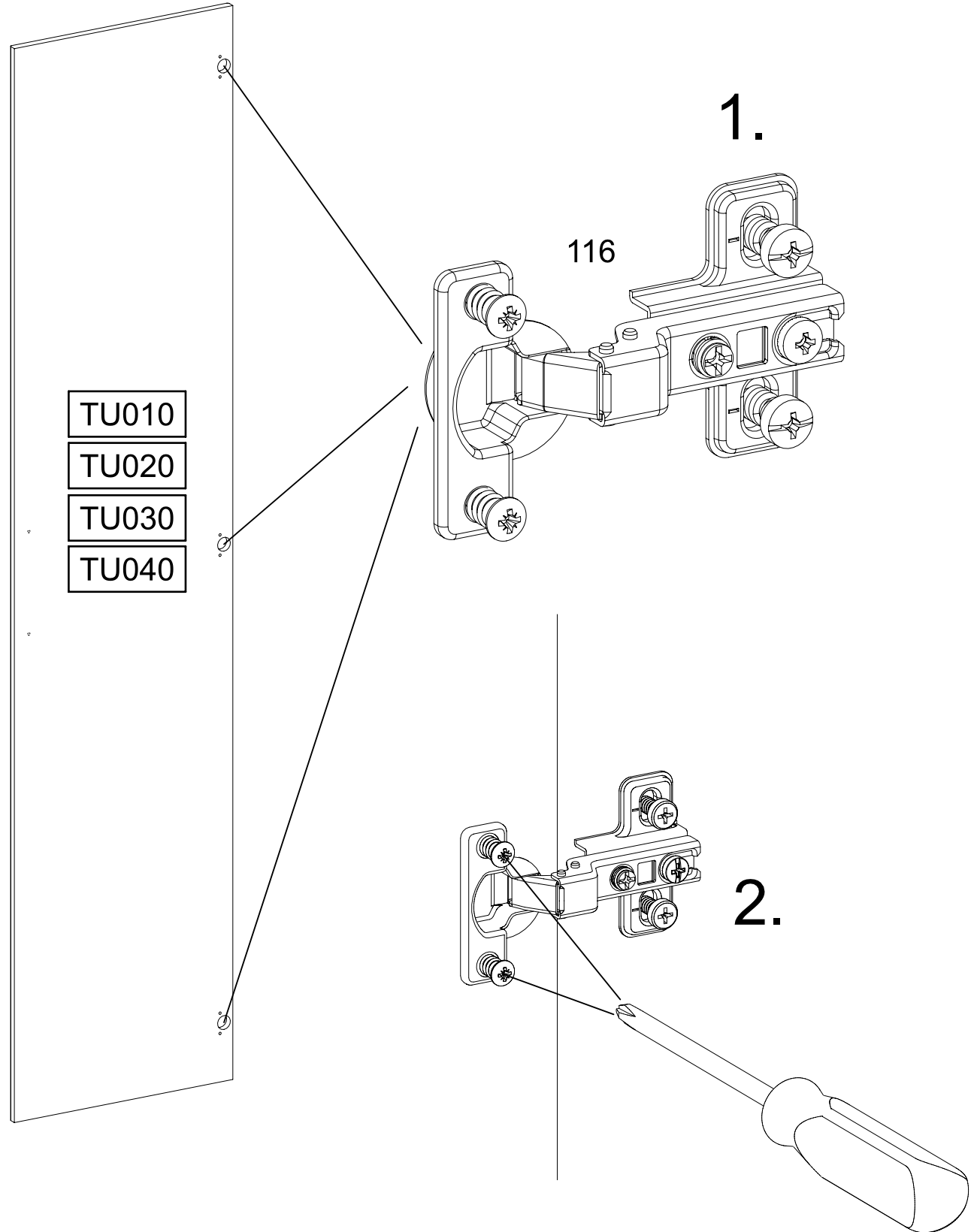
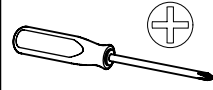
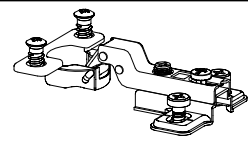


2x

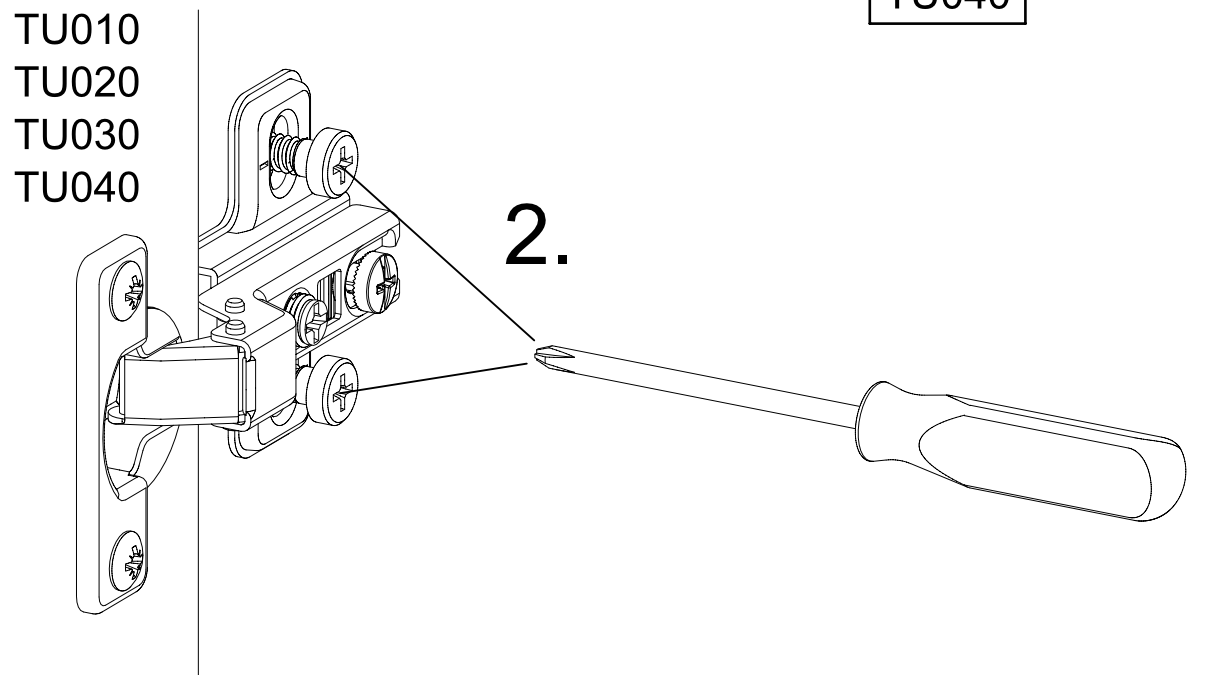
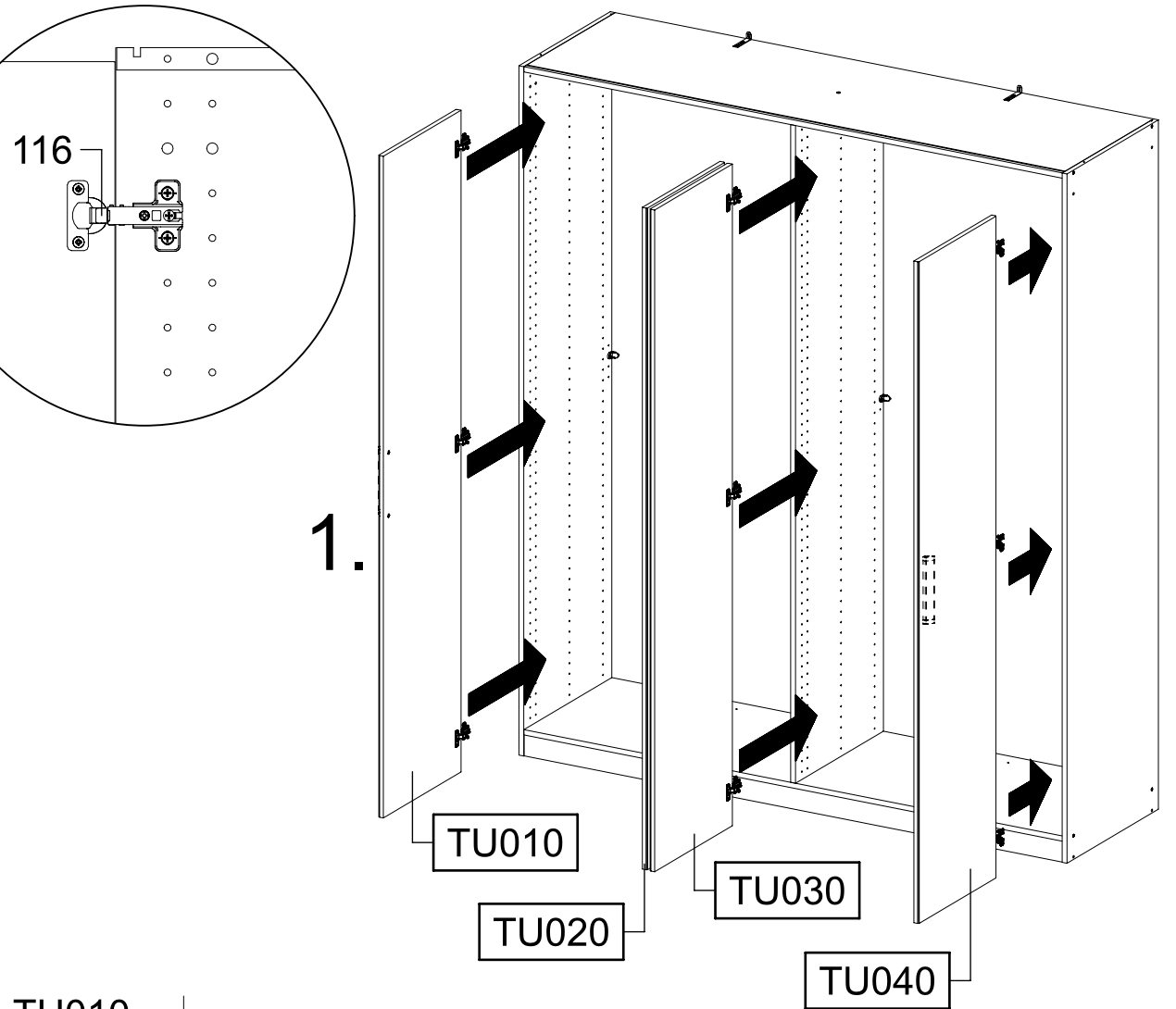
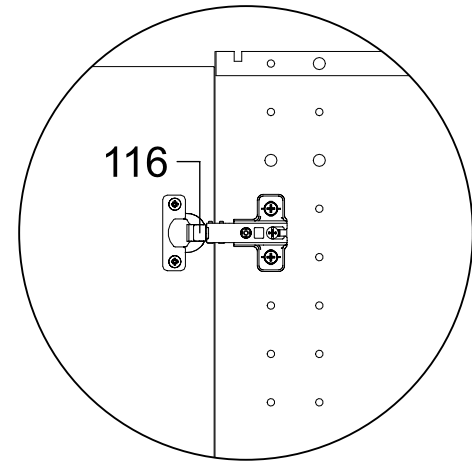
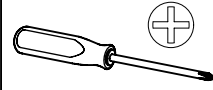
(116)

15

12x 116



16

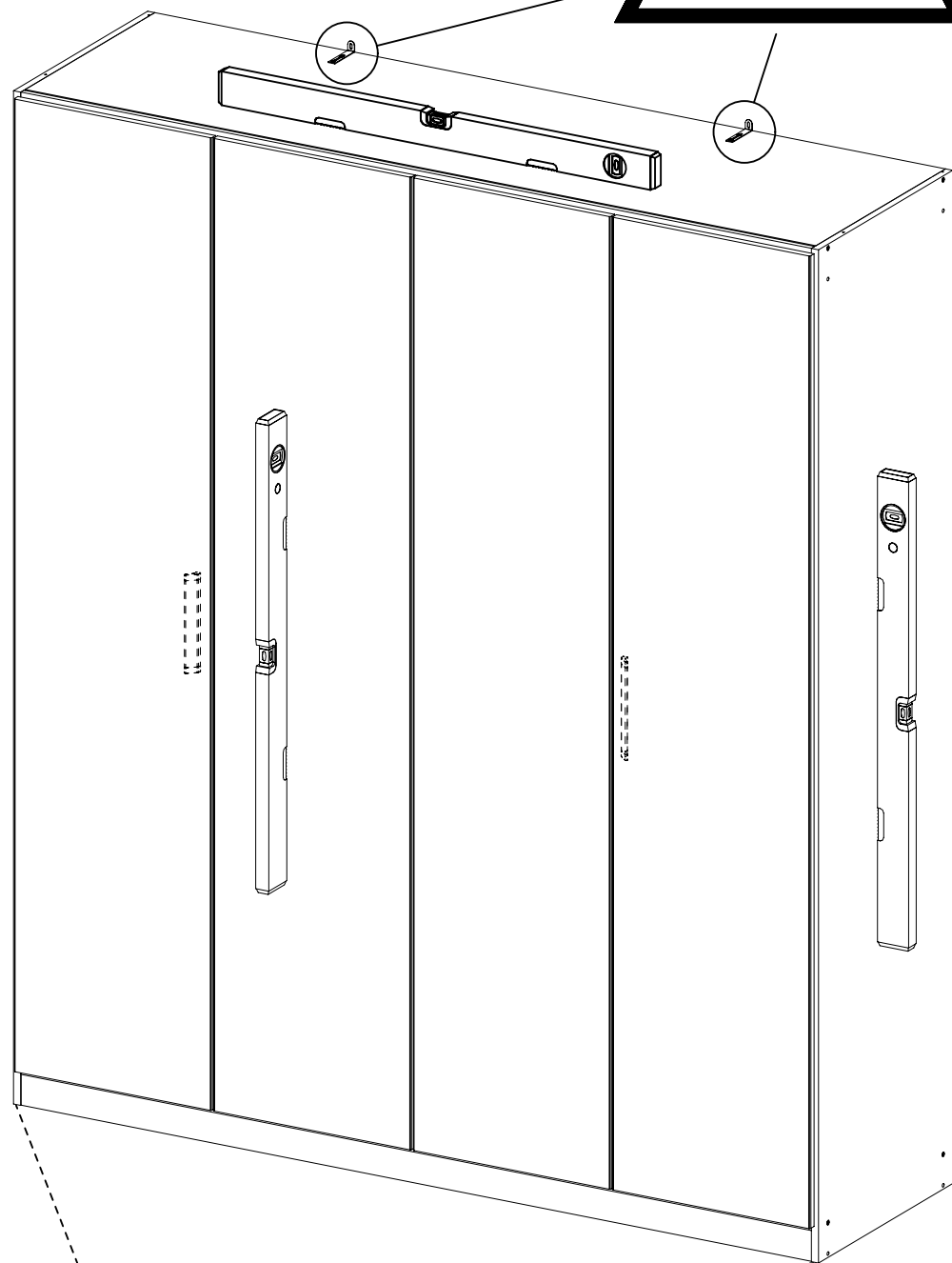
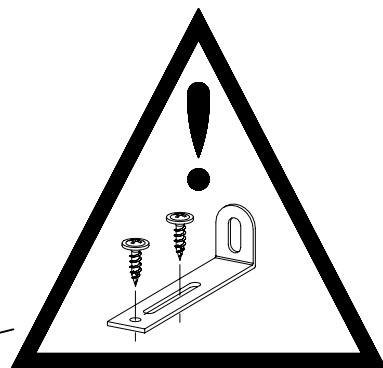
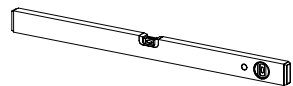
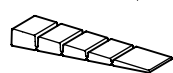


17

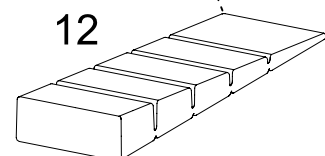
2x

12

55x16x6,2



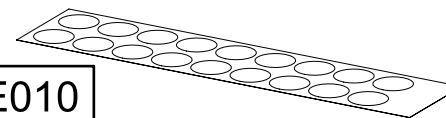
12



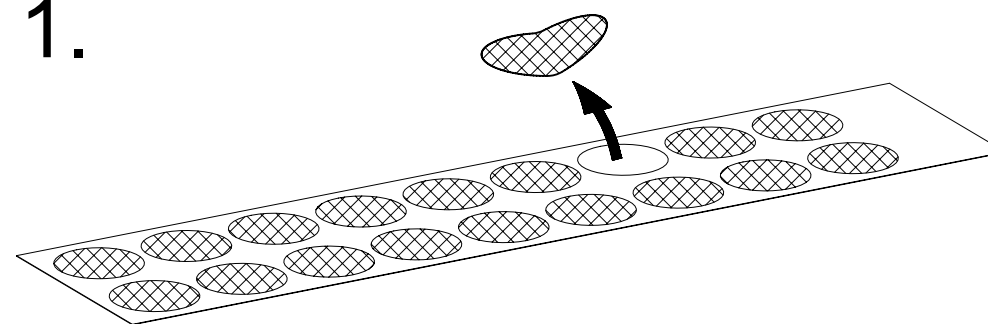
18

1x

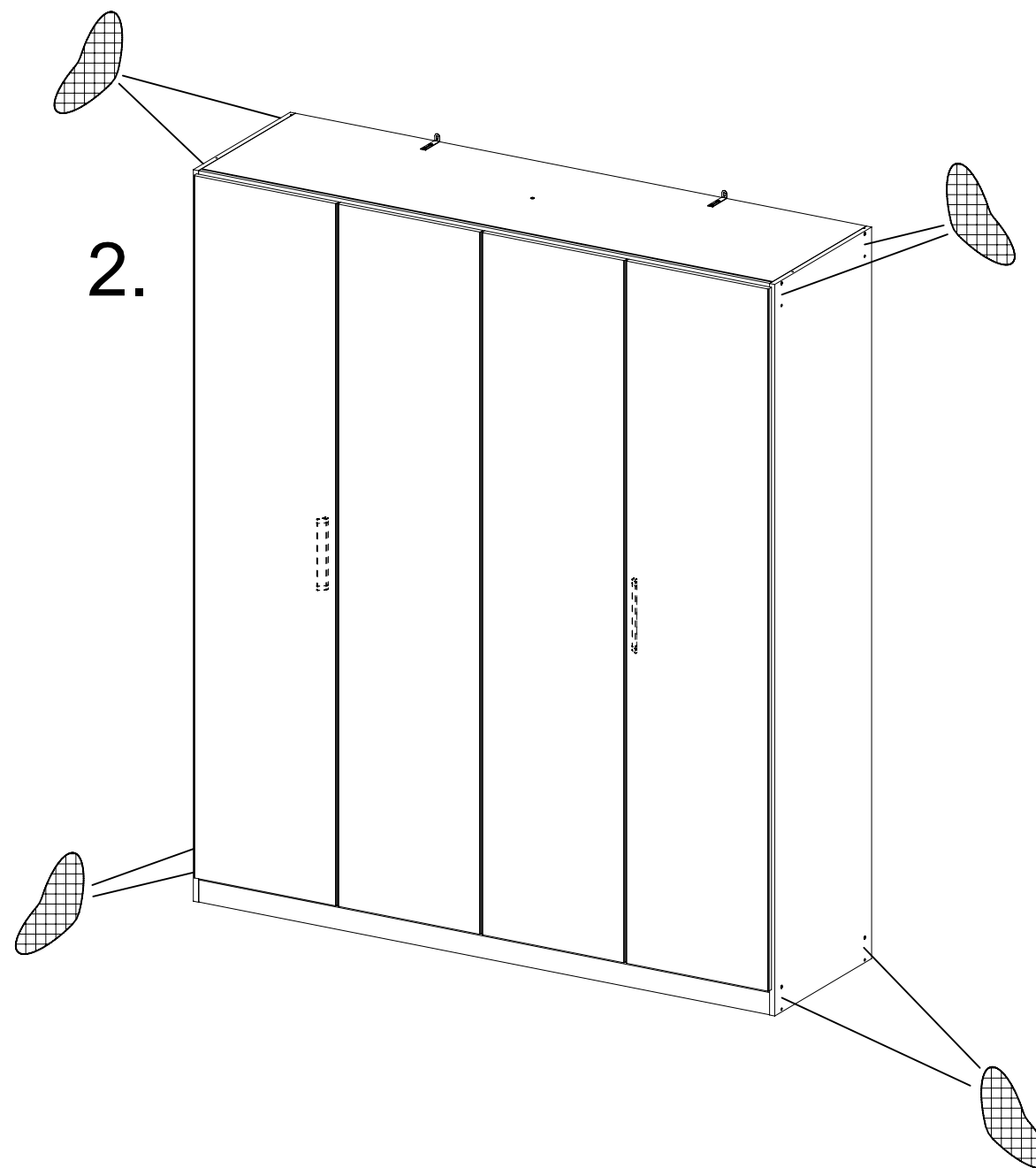
RE010



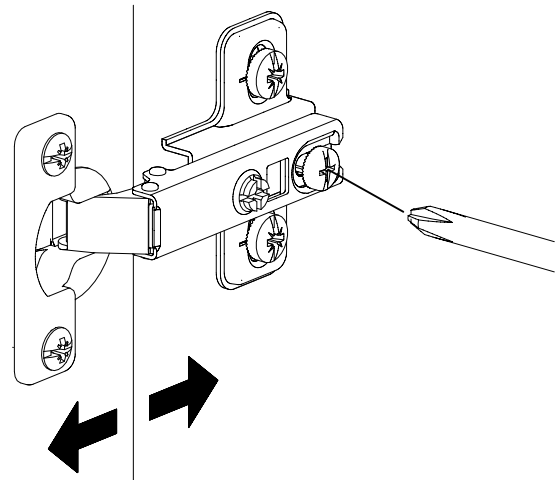
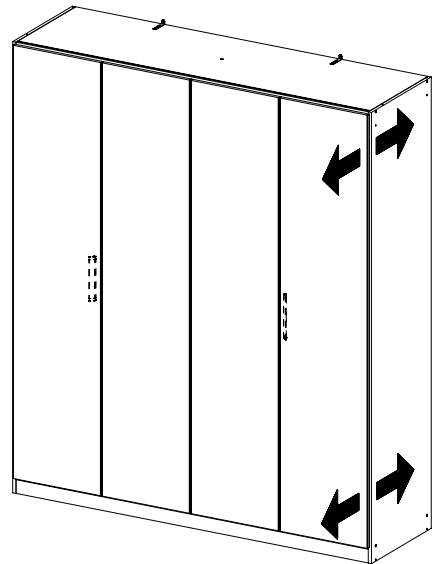
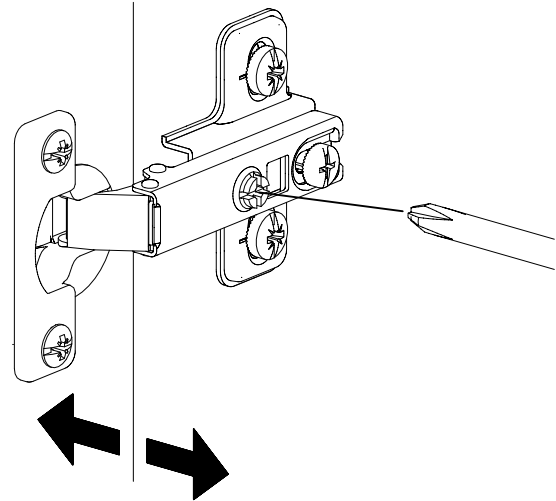
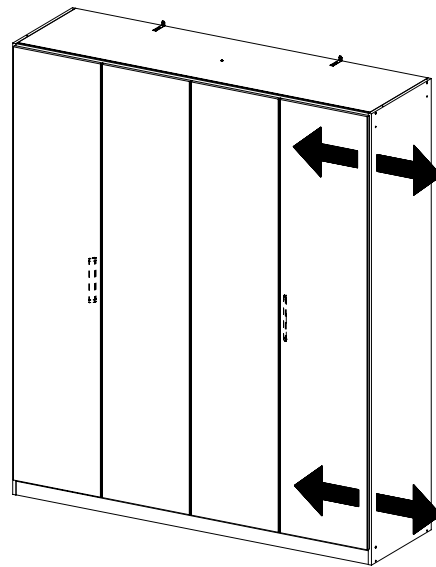
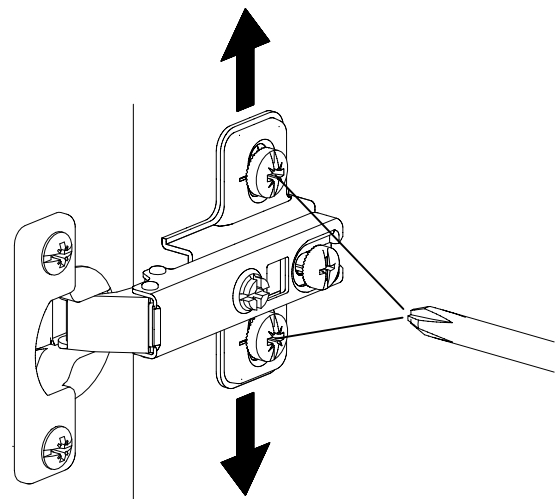
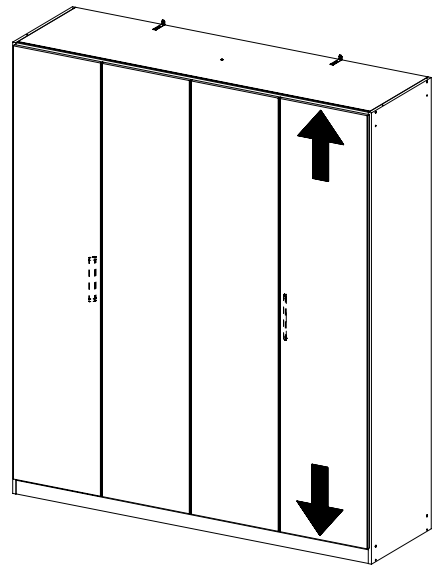
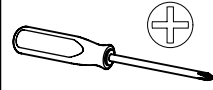
1.



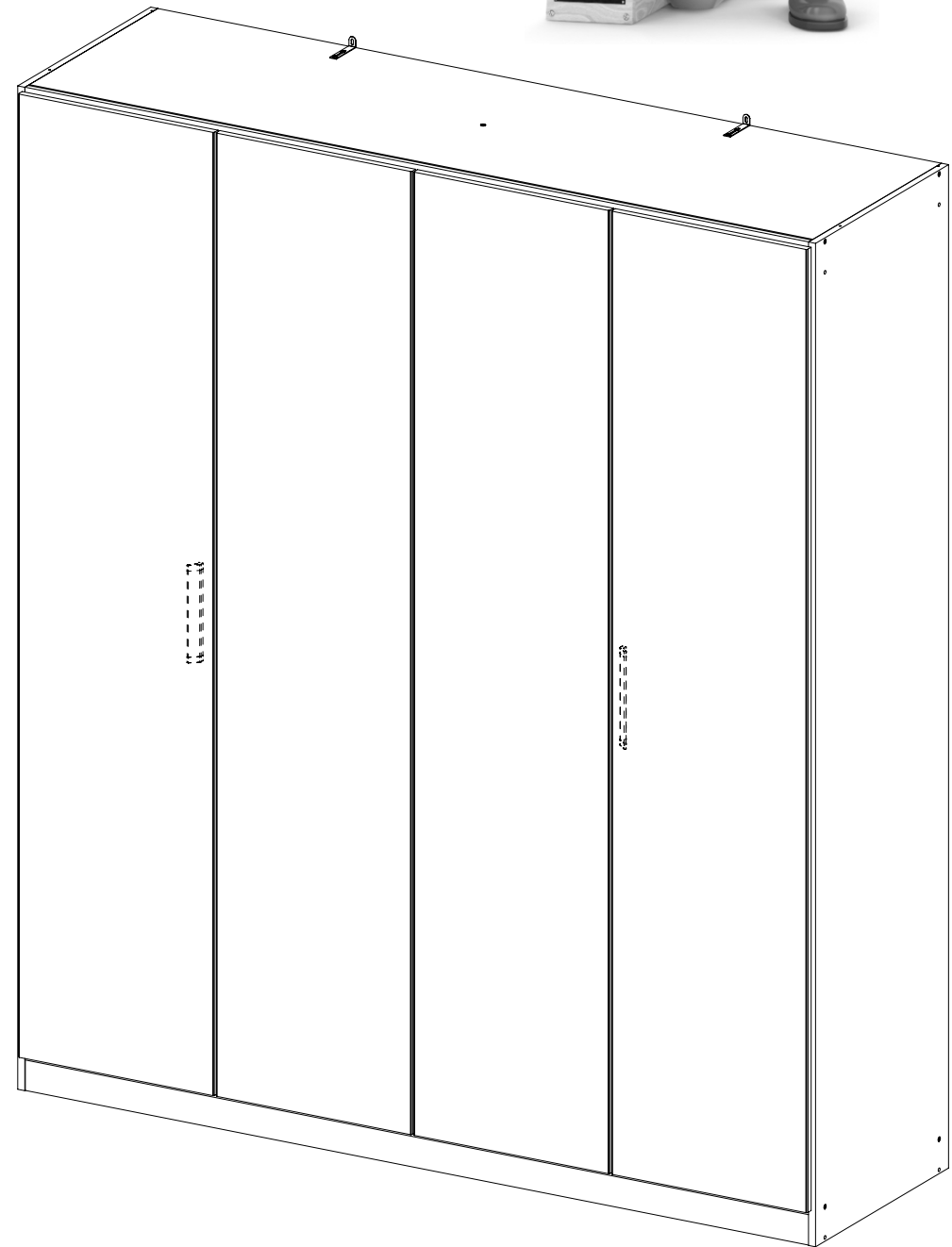
2.



19



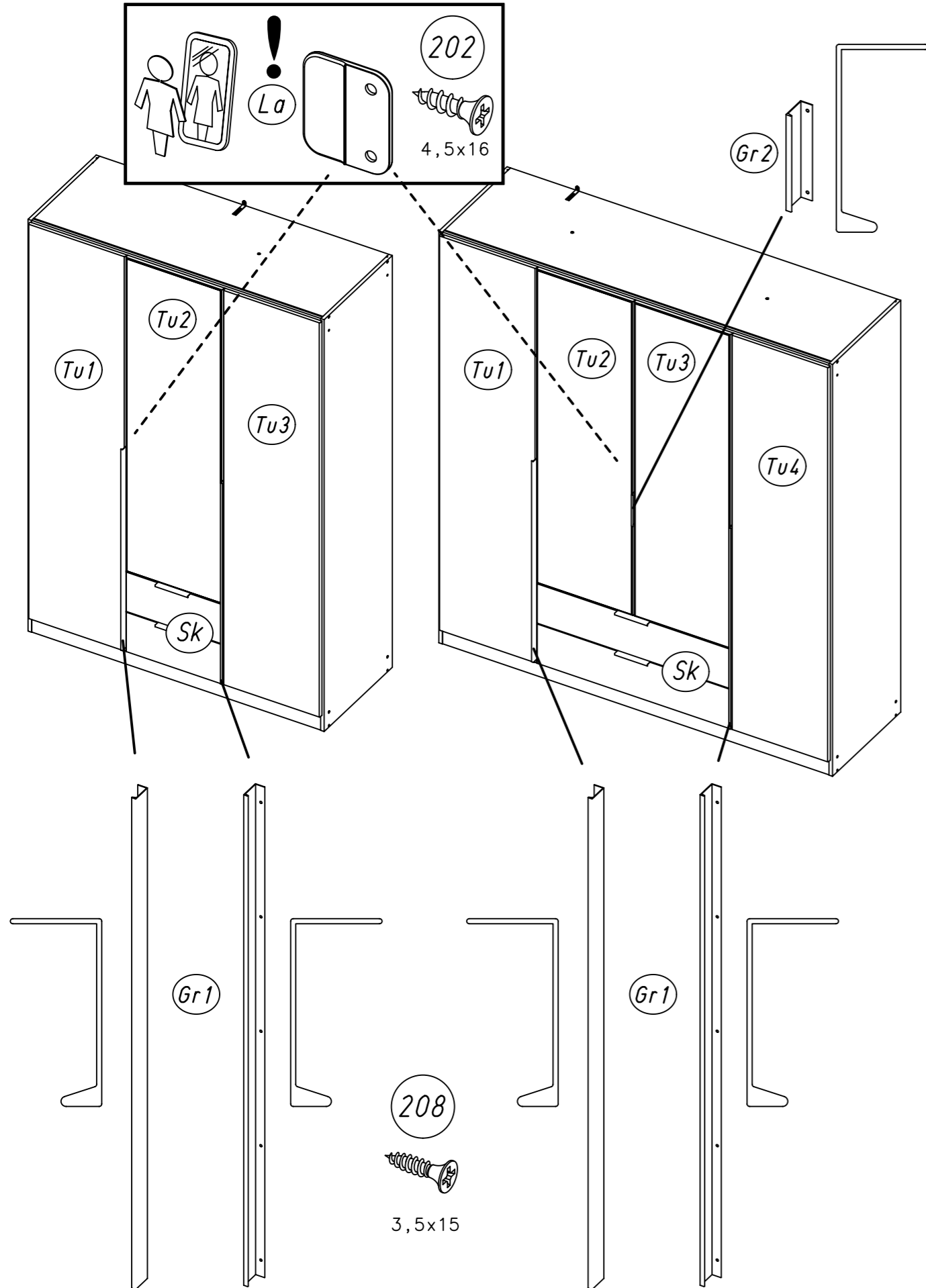
20



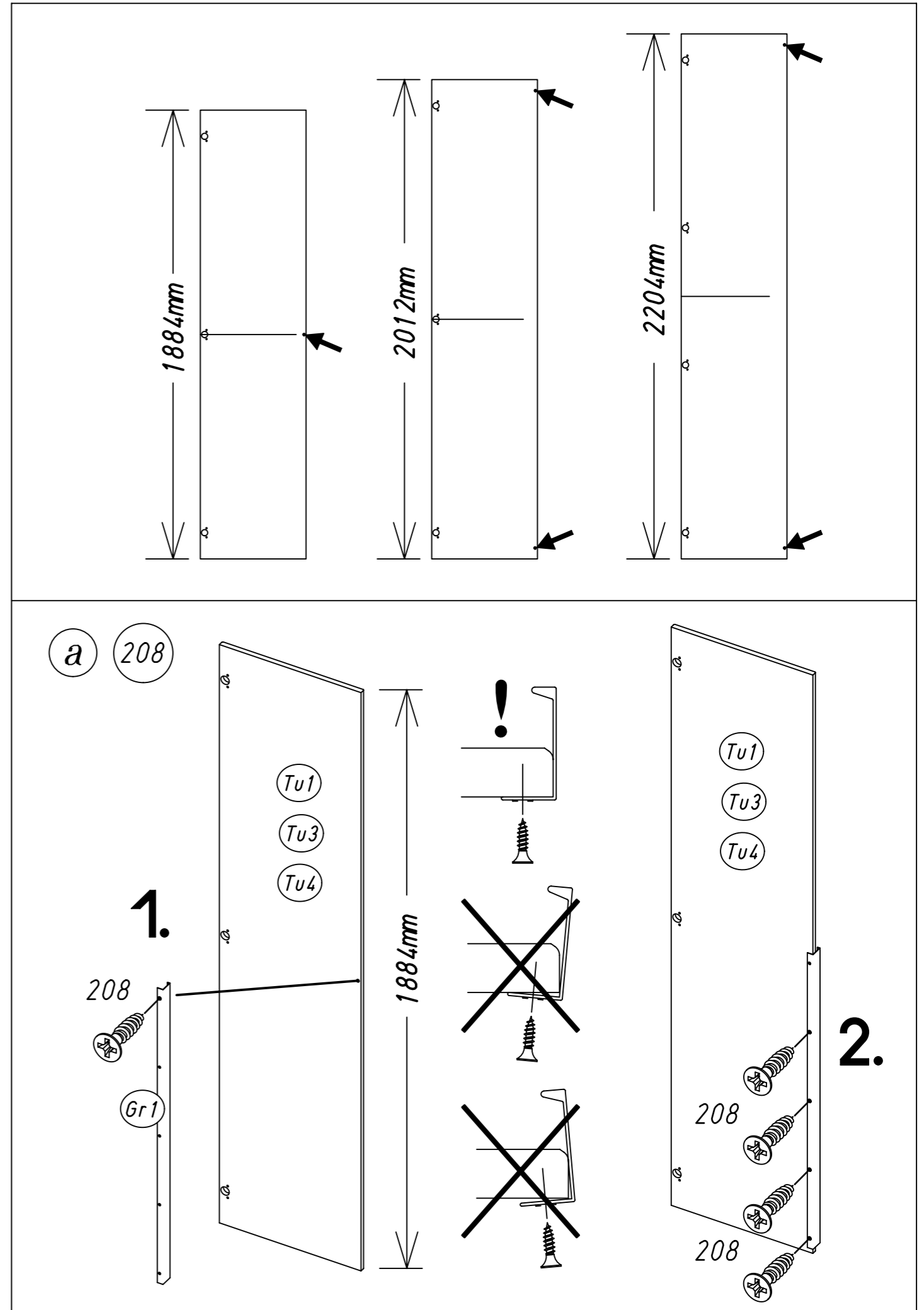
1.

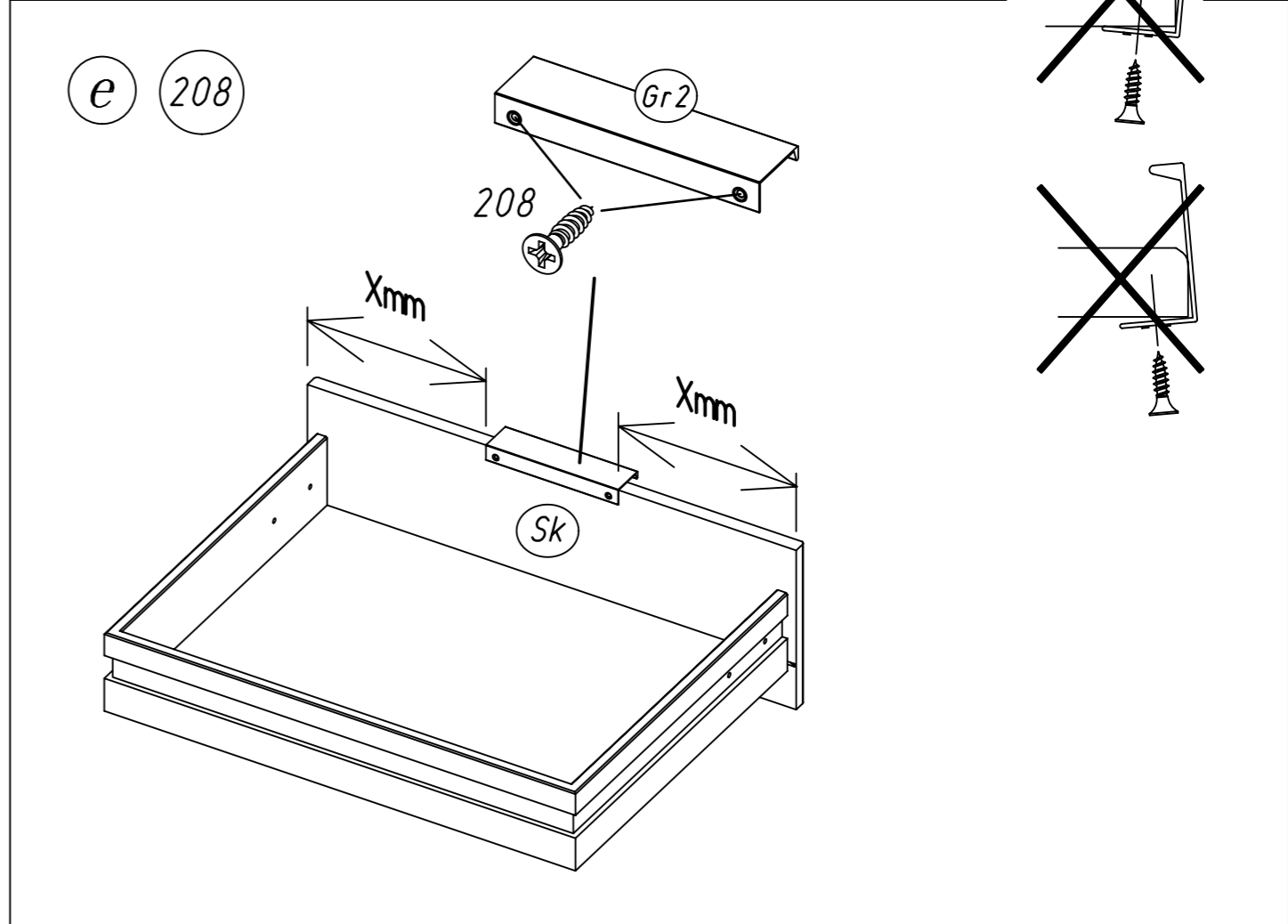
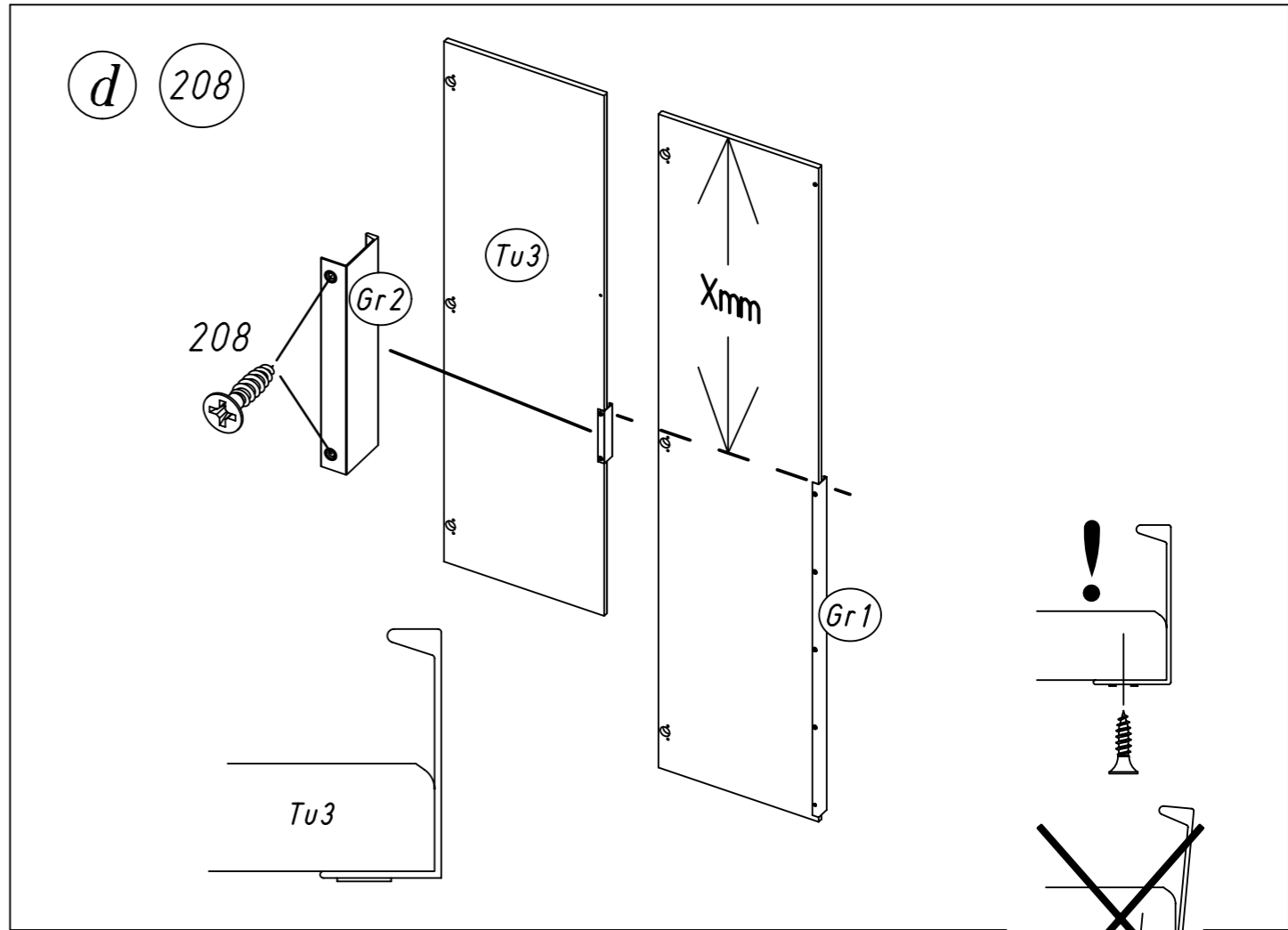
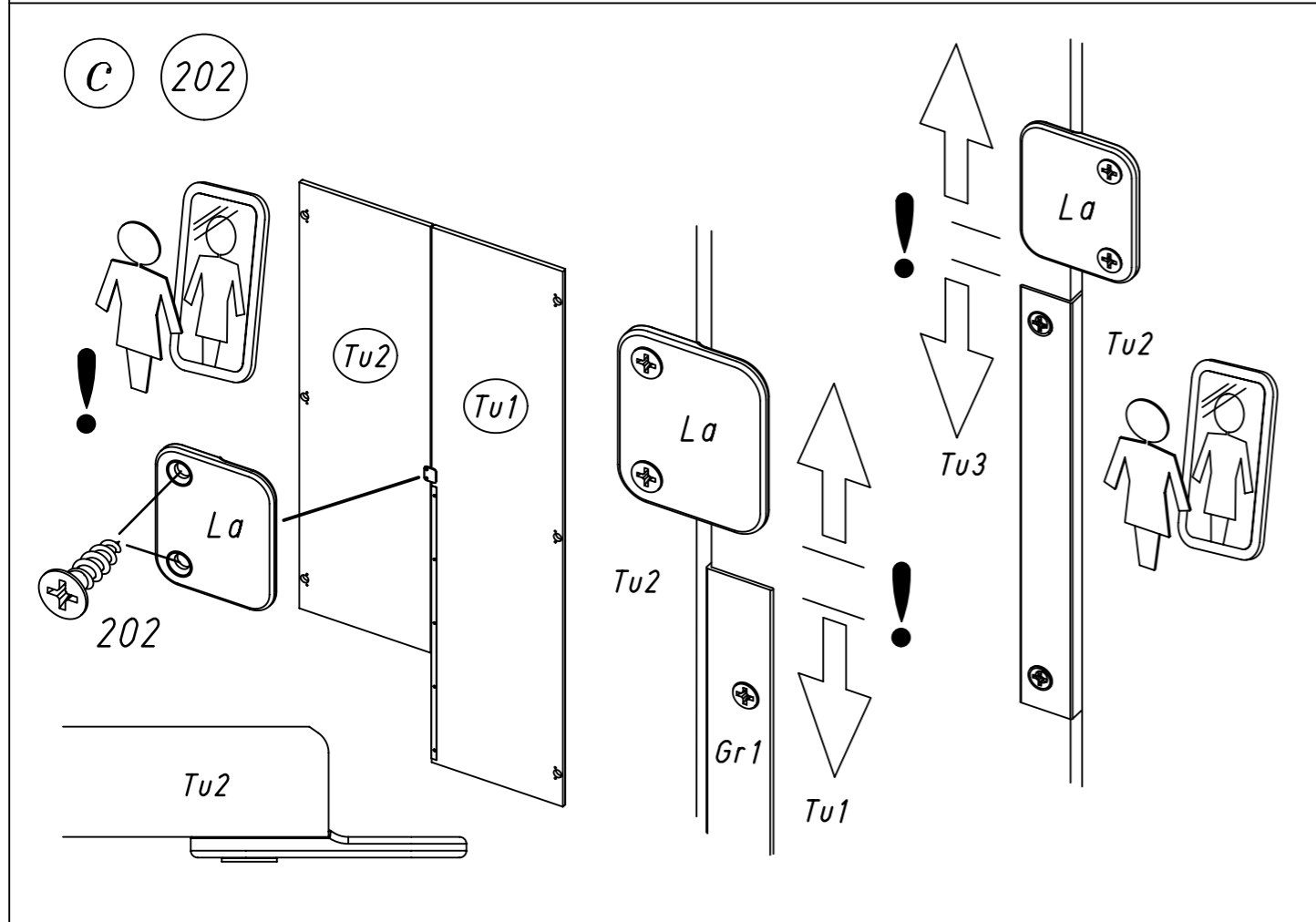
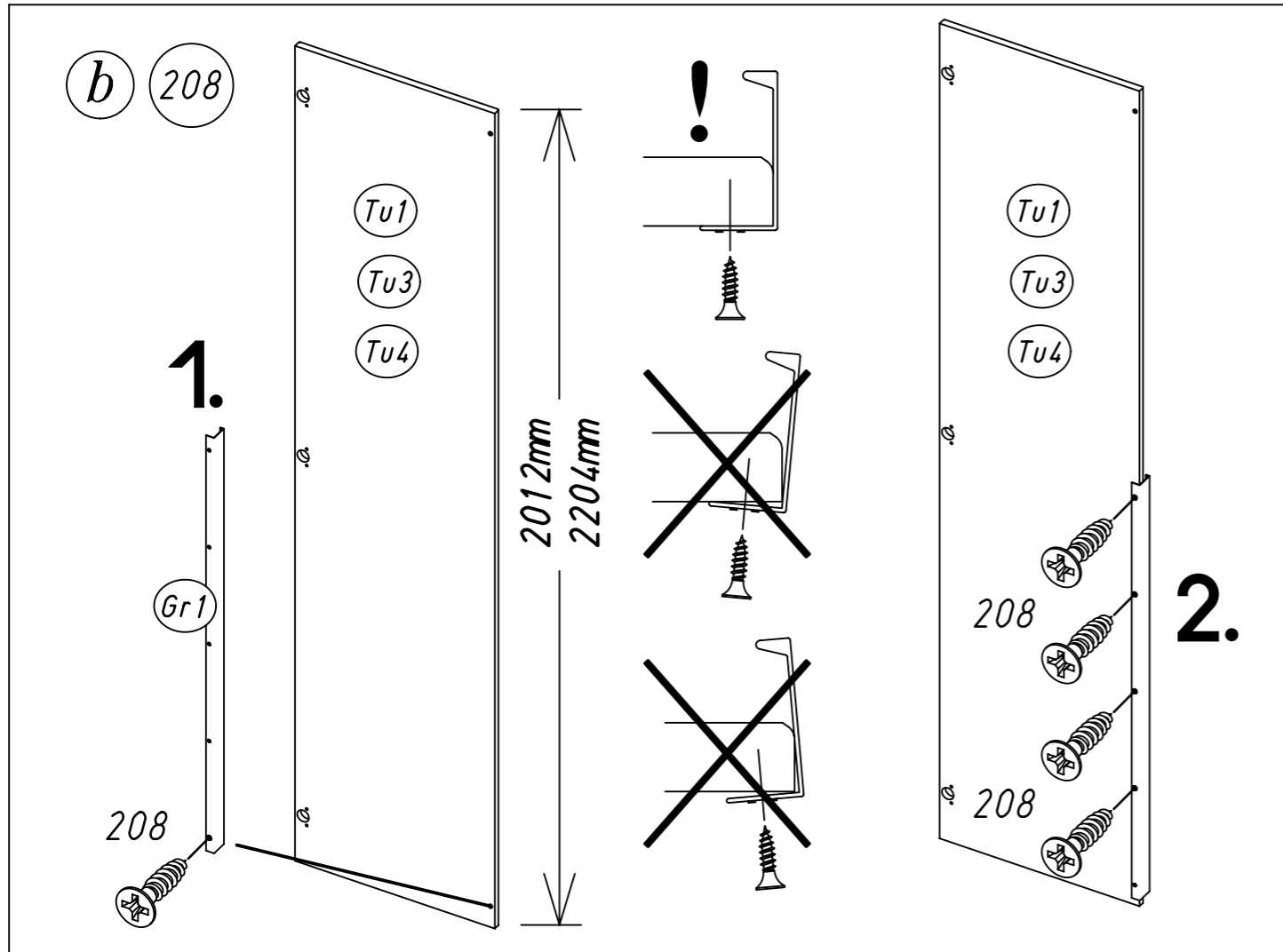
MZ056_01

rauch



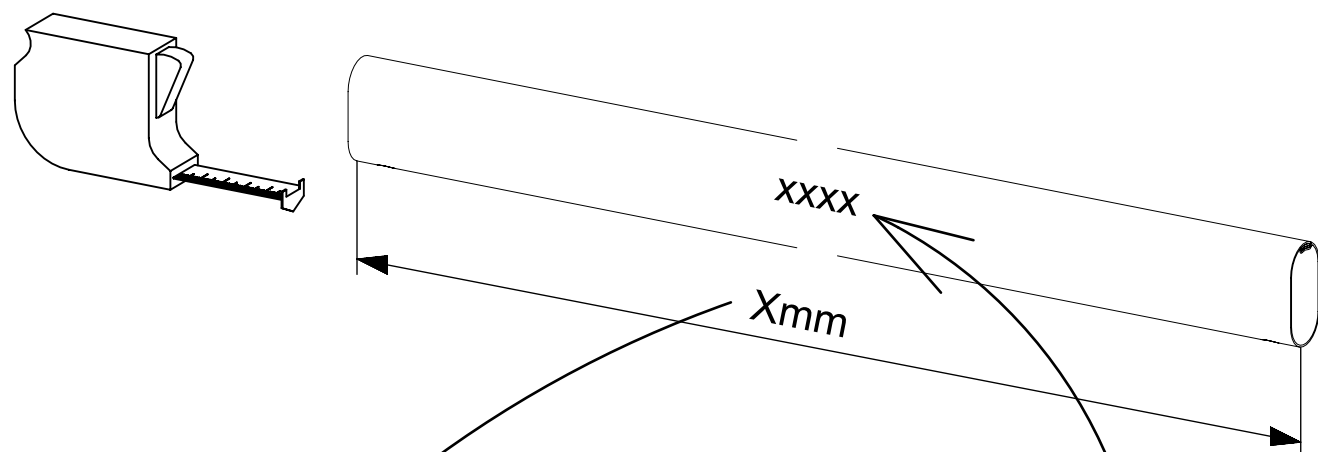
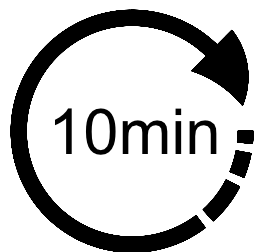
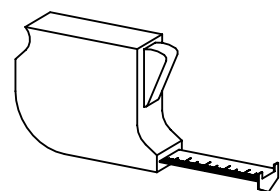
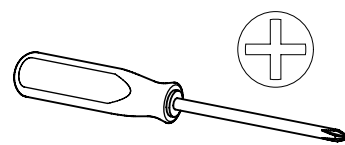
2.





MZ110_03

rauch



Xmm		xxxx
393mm	max. 40kg	2000
426mm	max. 40kg	2001
563mm	max. 40kg	2002
650mm	max. 40kg	2003
809mm	max. 40kg	2004
873mm	max. 40kg	2006
890mm	max. 40kg	2010
1097mm	max. 40kg	2008



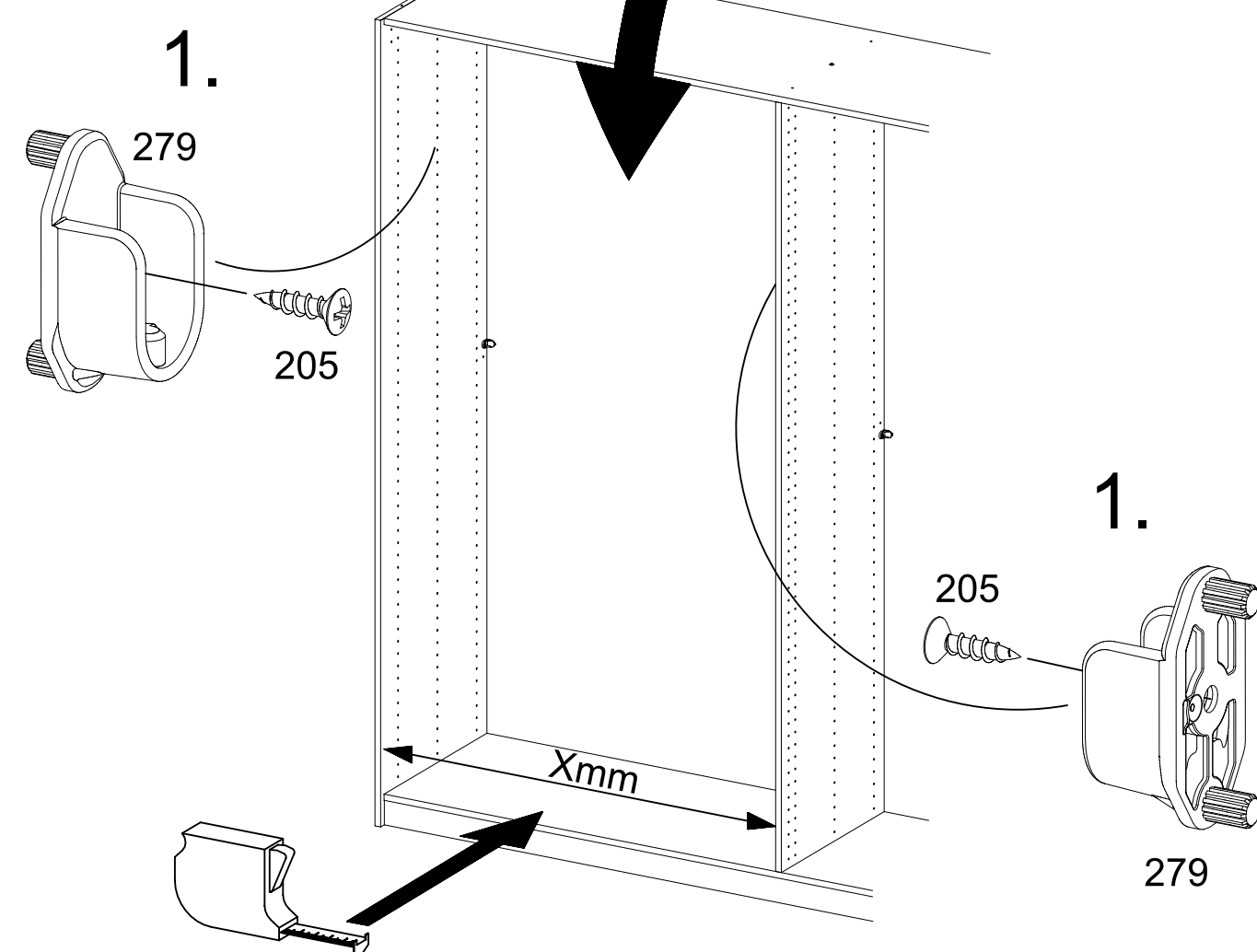
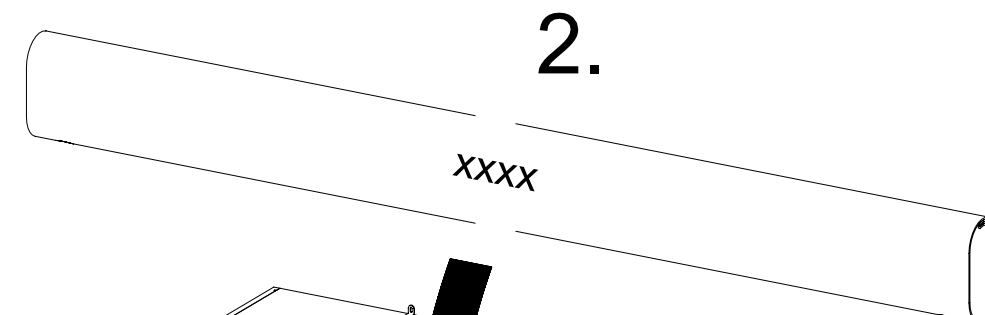
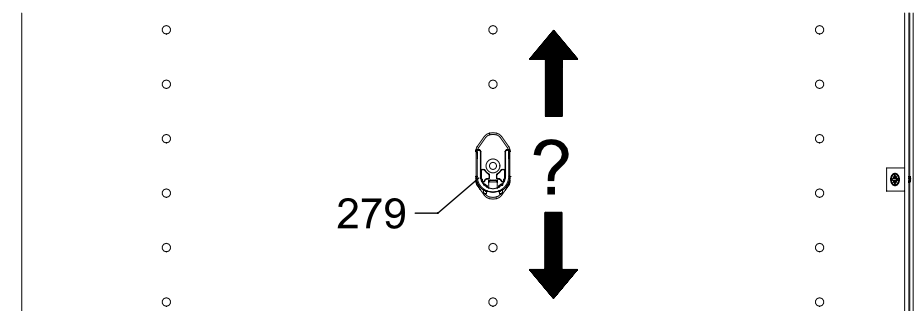
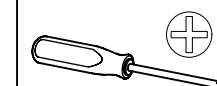
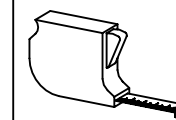
xxxx = 2000, 2001,
2002, 2003,
2004, 2006,
2008, 2010,



1

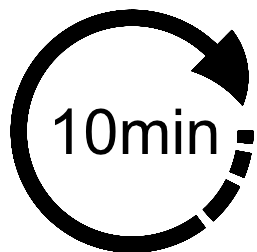
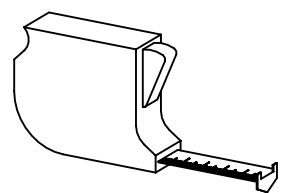
2x 3,5x15

2x

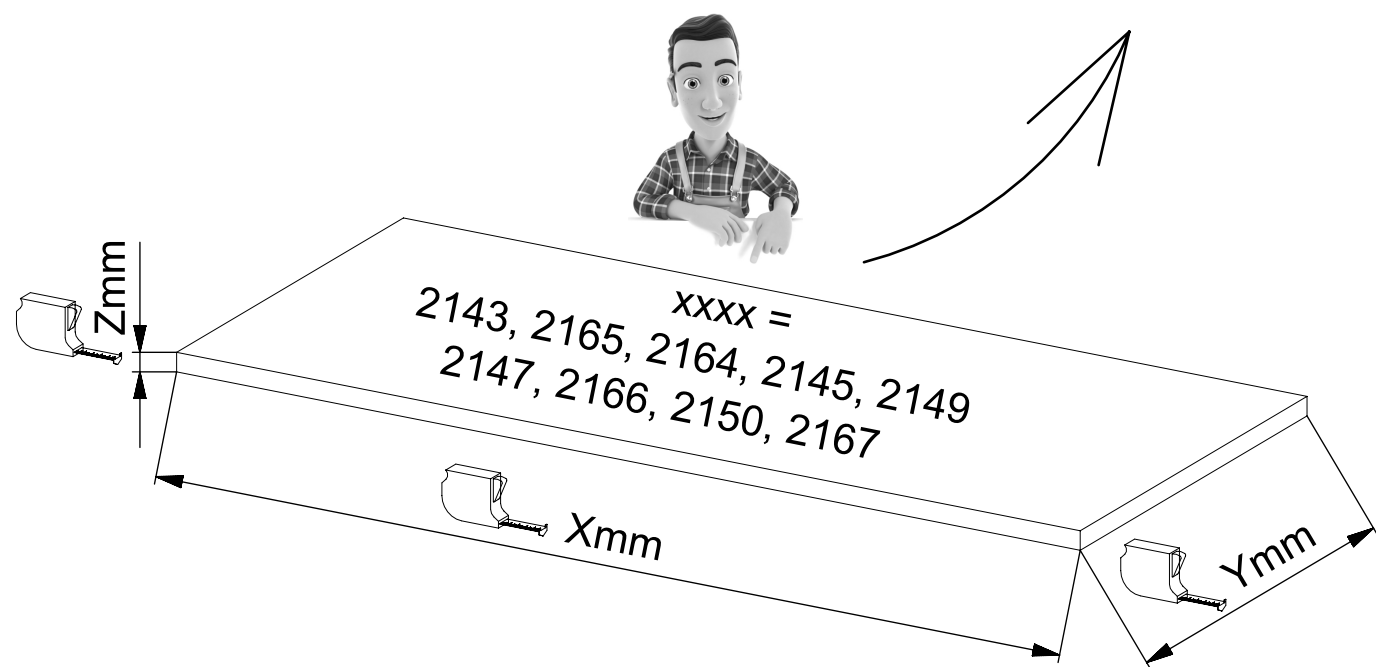


MZ112_05

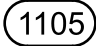

rauch

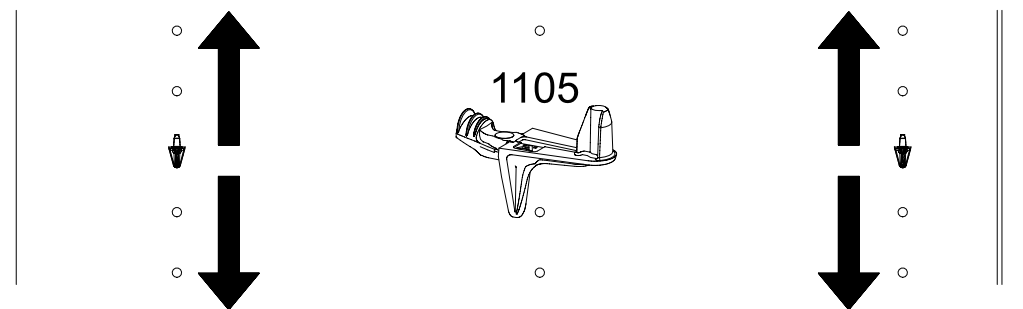


Xmm	Ymm	Zmm	 	xxxx
432mm	450mm	16mm	max. 10kg	2143
632mm	450mm	16mm	max. 10kg	2164
656mm	450mm	16mm	max. 10kg	2145
848mm	450mm	16mm	max. 10kg	2149
880mm	450mm	16mm	max. 10kg	2147
1064mm	450mm	22mm	max. 25kg	2150
848mm	395mm	16mm	max. 10kg	2167

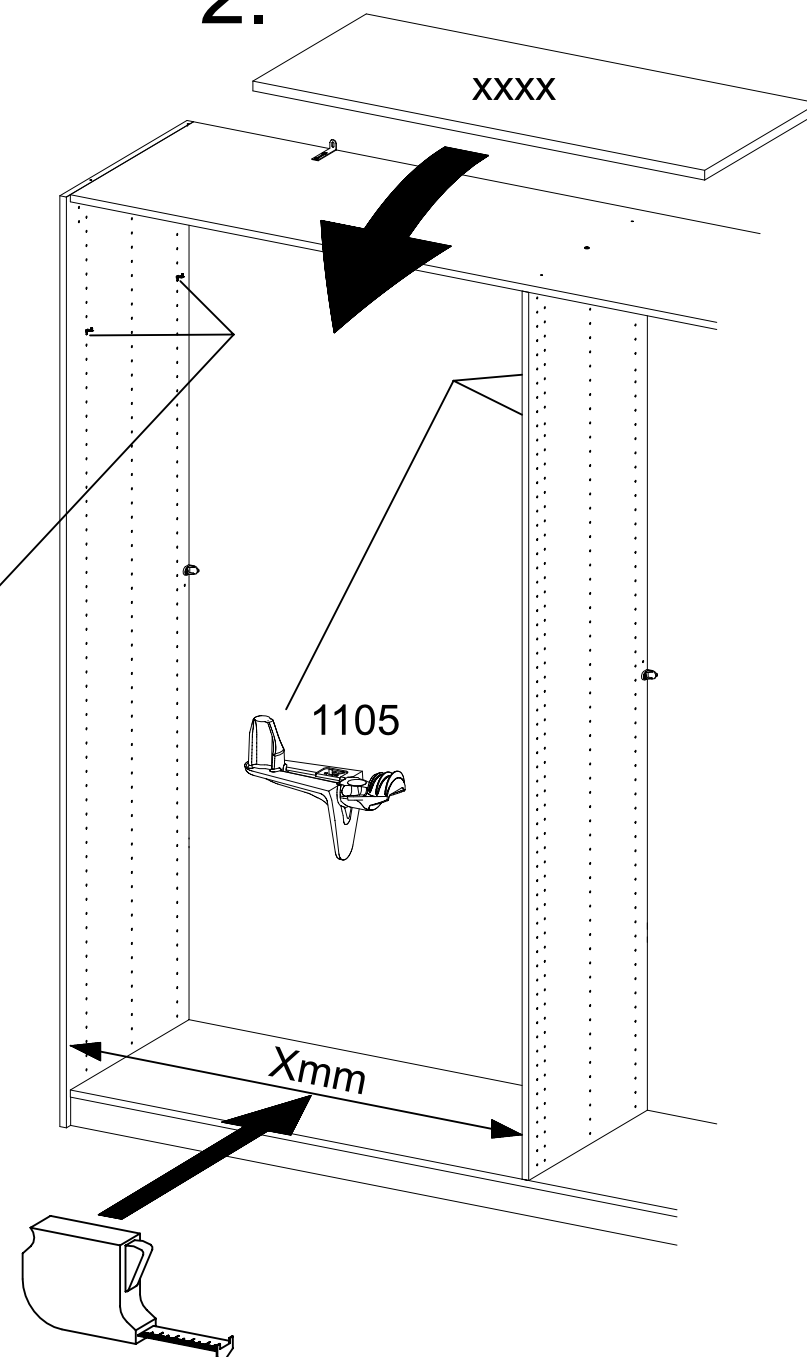


1

4x  1105 



2.



3.

