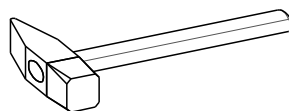
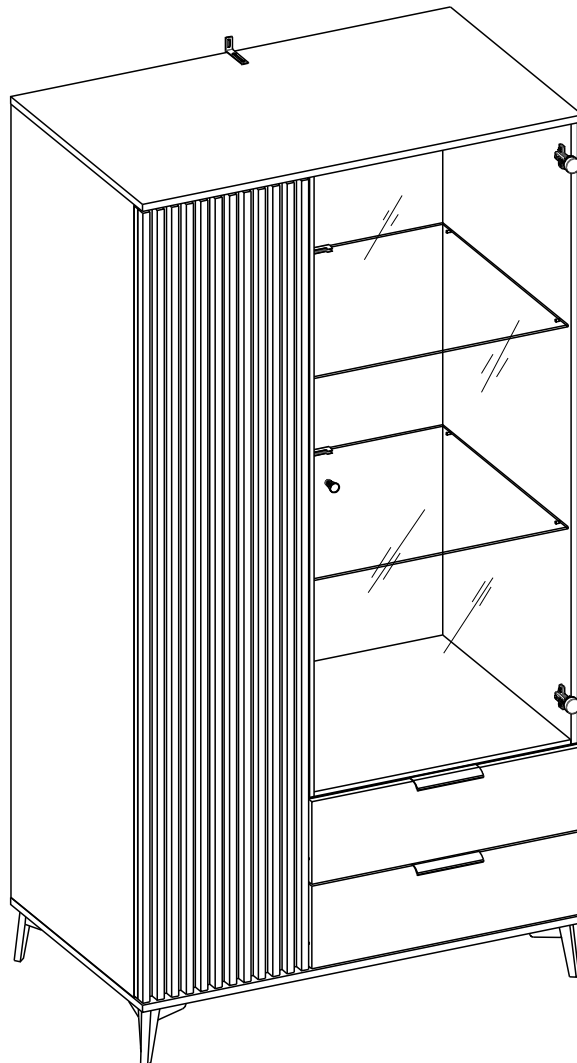
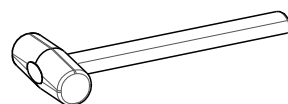
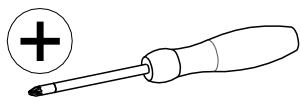


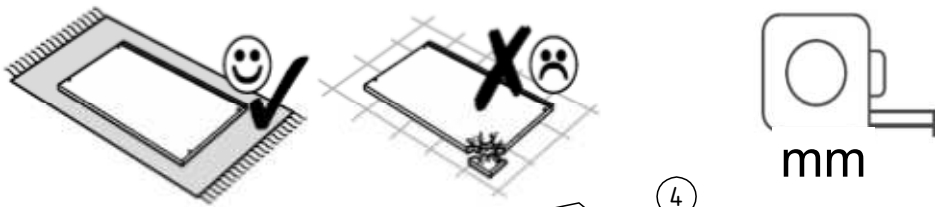
# VITRÍNA HEDWIG

Montážní/Montážny návod

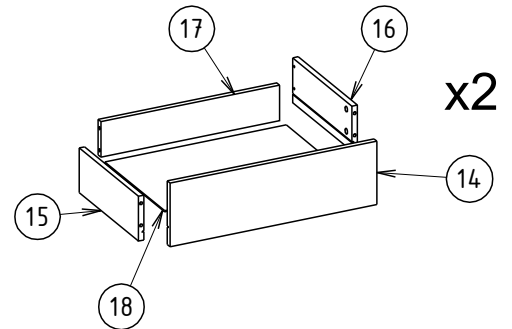
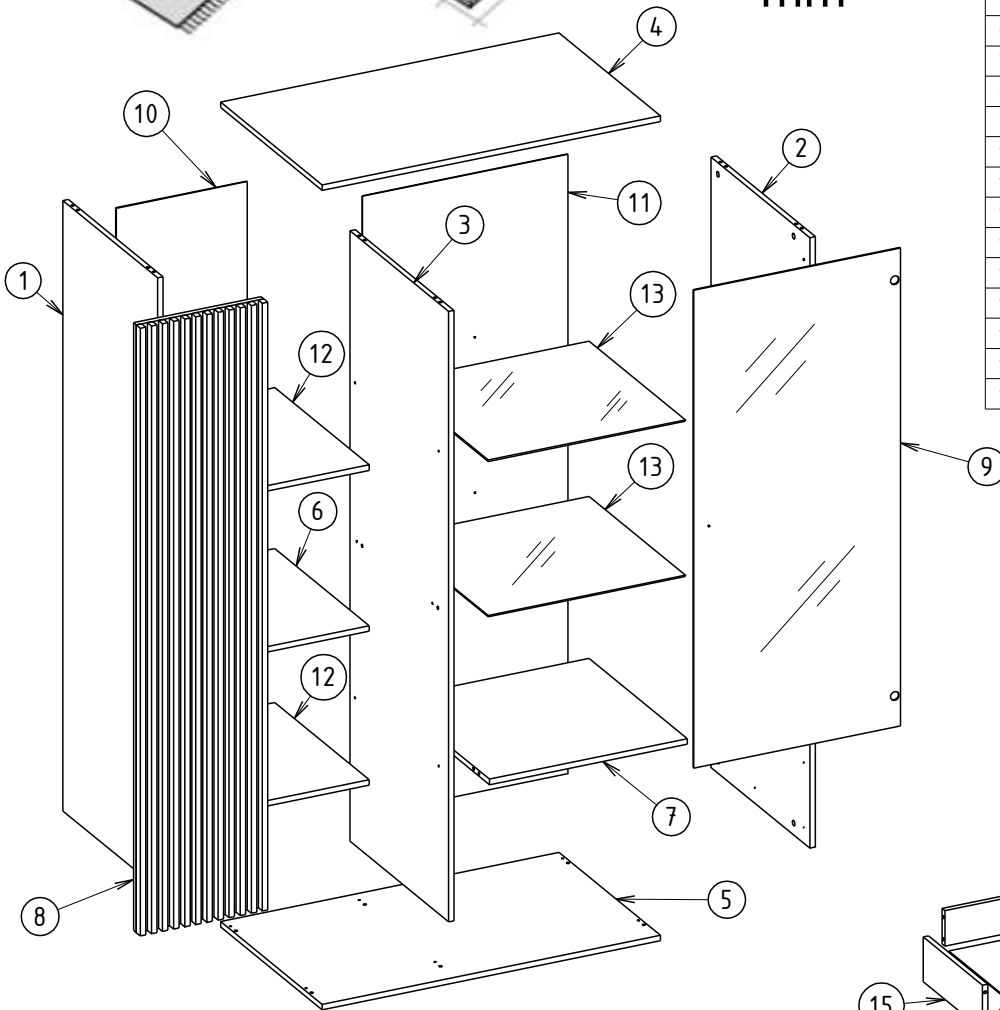


120min



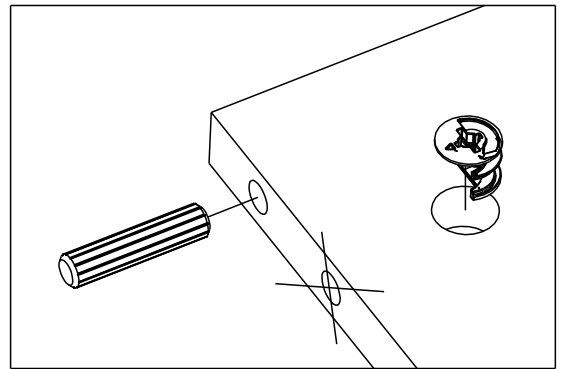
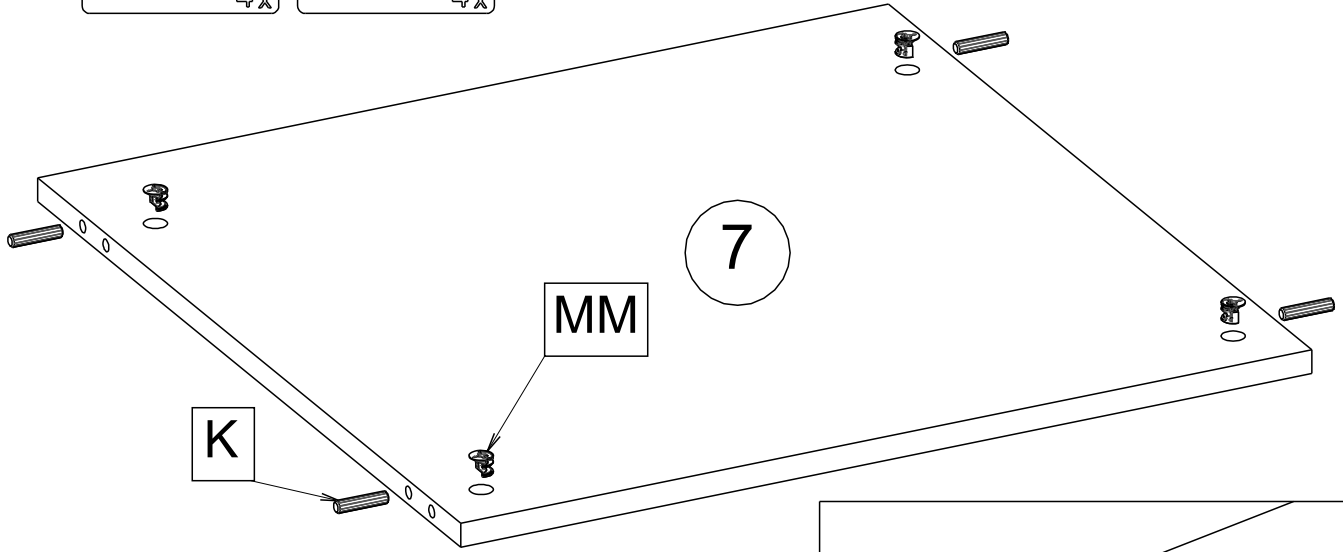
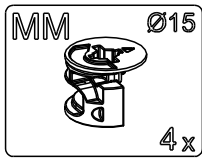
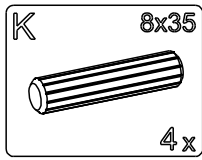


NR	il	Dł [mm]	Sz [mm]	Gr [mm]
1	1	1768	559	16
2	1	1768	584	16
3	1	1768	584	16
4	1	1000	600	16
5	1	1000	600	16
6	1	365	559	16
7	1	585	582	16
8	1	1760	377	16
9	1	1384	611	4
10	1	1794	387	3
11	1	1794	607	3
12	2	559	365	16
13	2	570	583	4
14	2	611	184	16
15	2	350	130	16
16	2	350	130	16
17	2	528	103	16
18	2	536	353	3

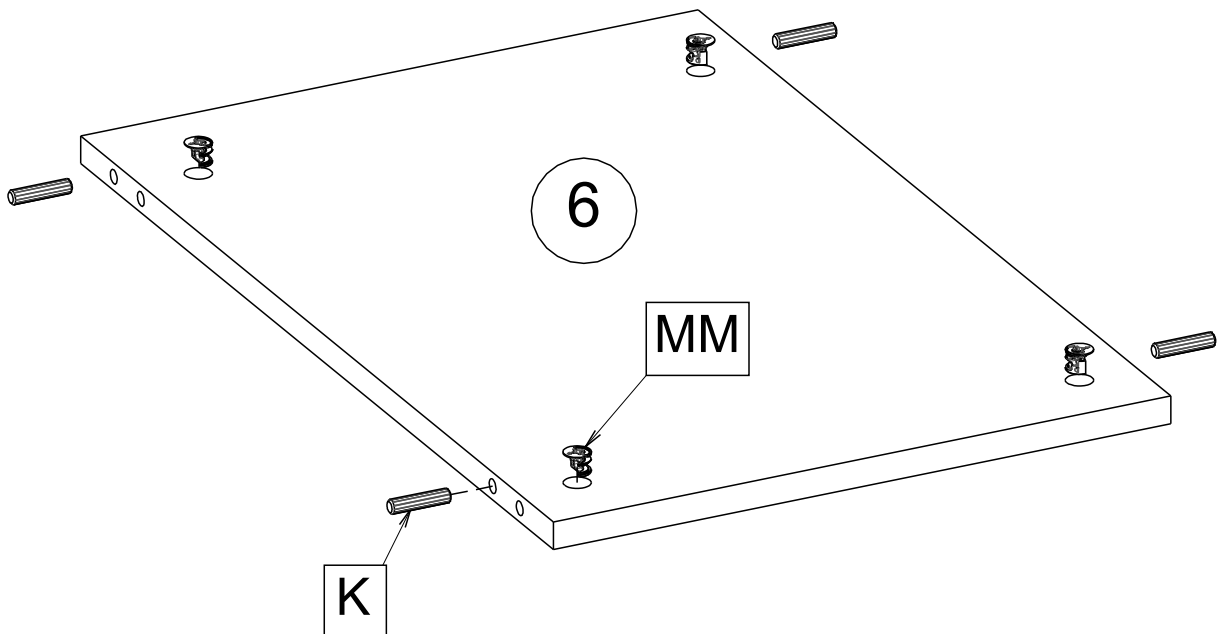
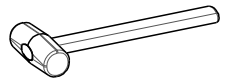
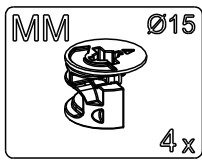
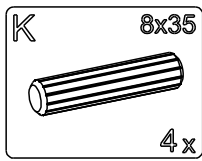


U  2x	UW  1x	PL  1x	LED  2x		
G  85x	Z1  4x	ZP  6x	ZS1  2x	ZS1P  2x	ZLED  1x
W1  3x12 8x	W2  4x16 31x	W3  3,5x30 16x	KS  1x	N  4x	ROL  350mm 2kplx
K  8x35 20x	PP  16x	MM  Ø15 36x	TM  36x	ZM  kol 32x	

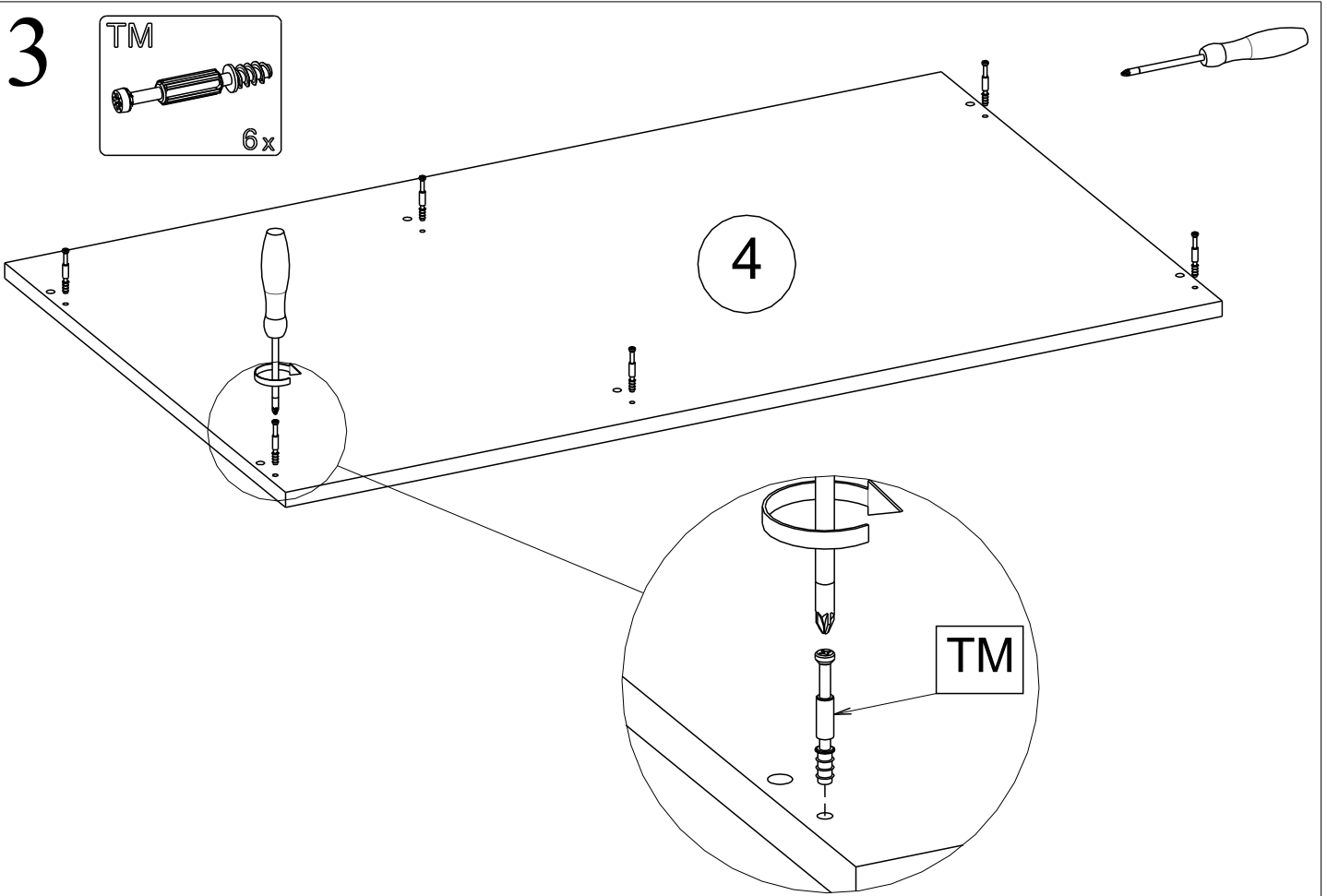
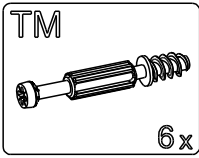
1



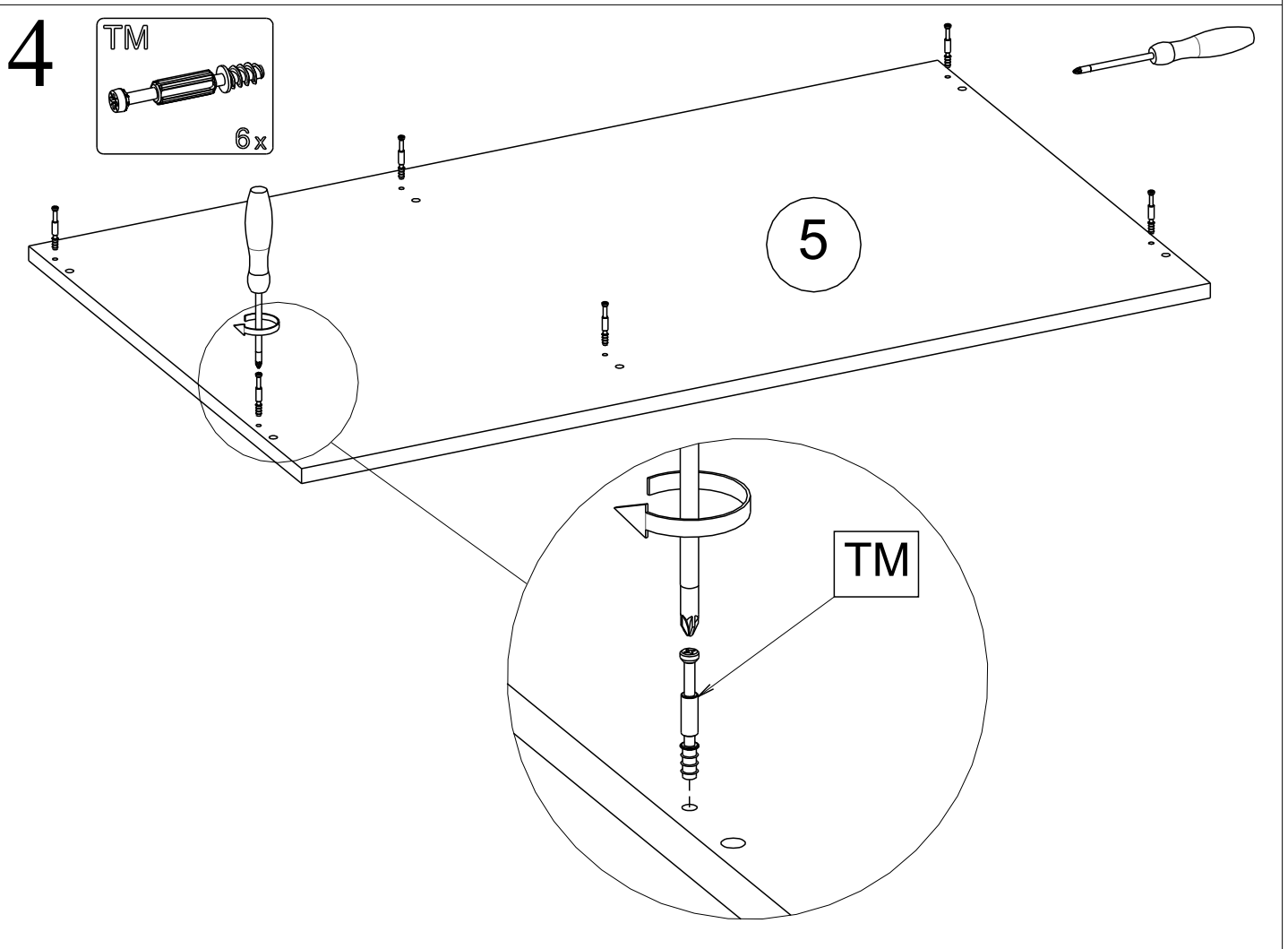
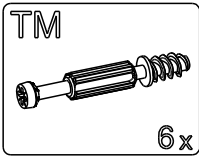
2



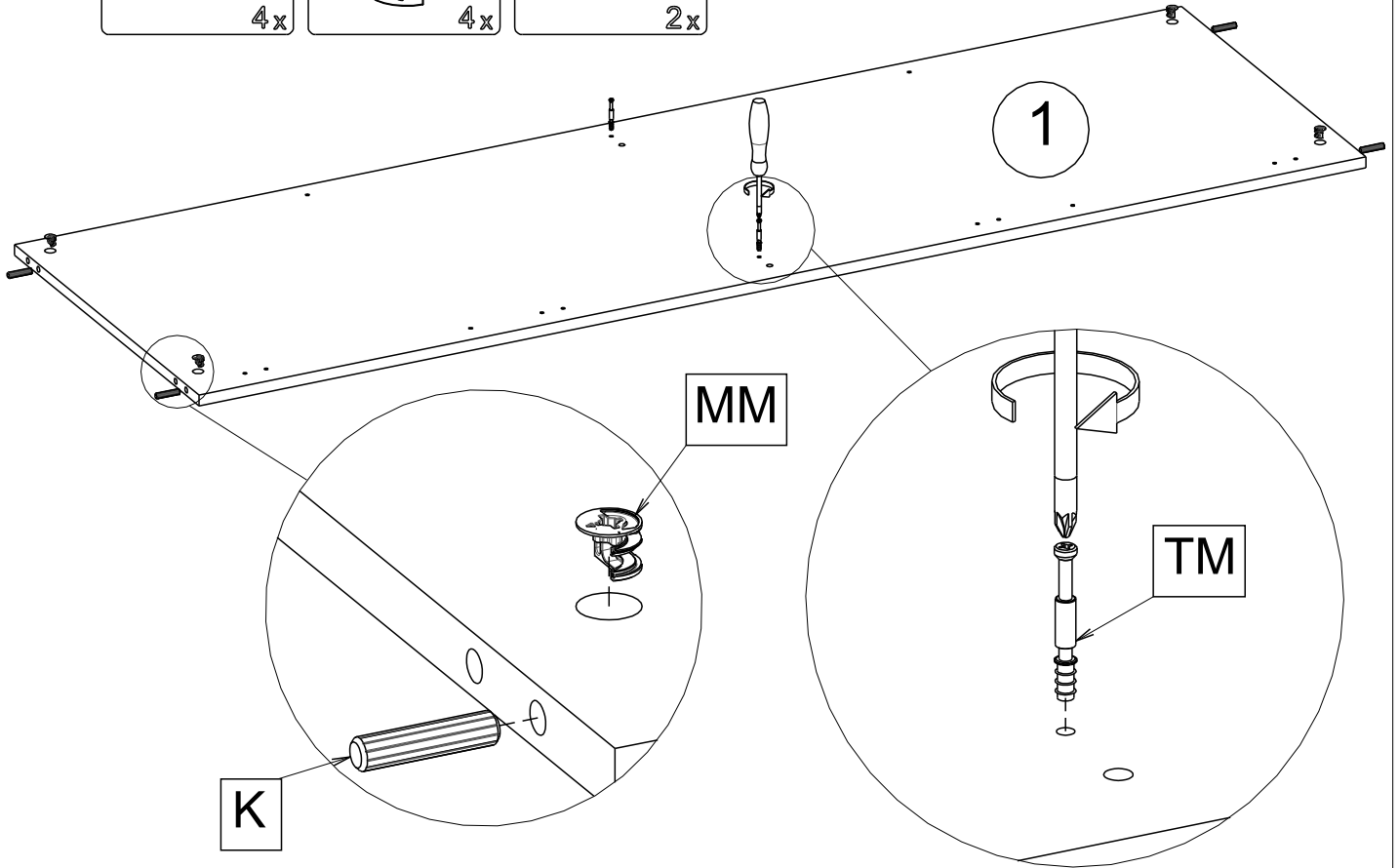
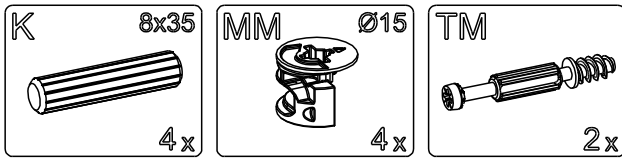
3



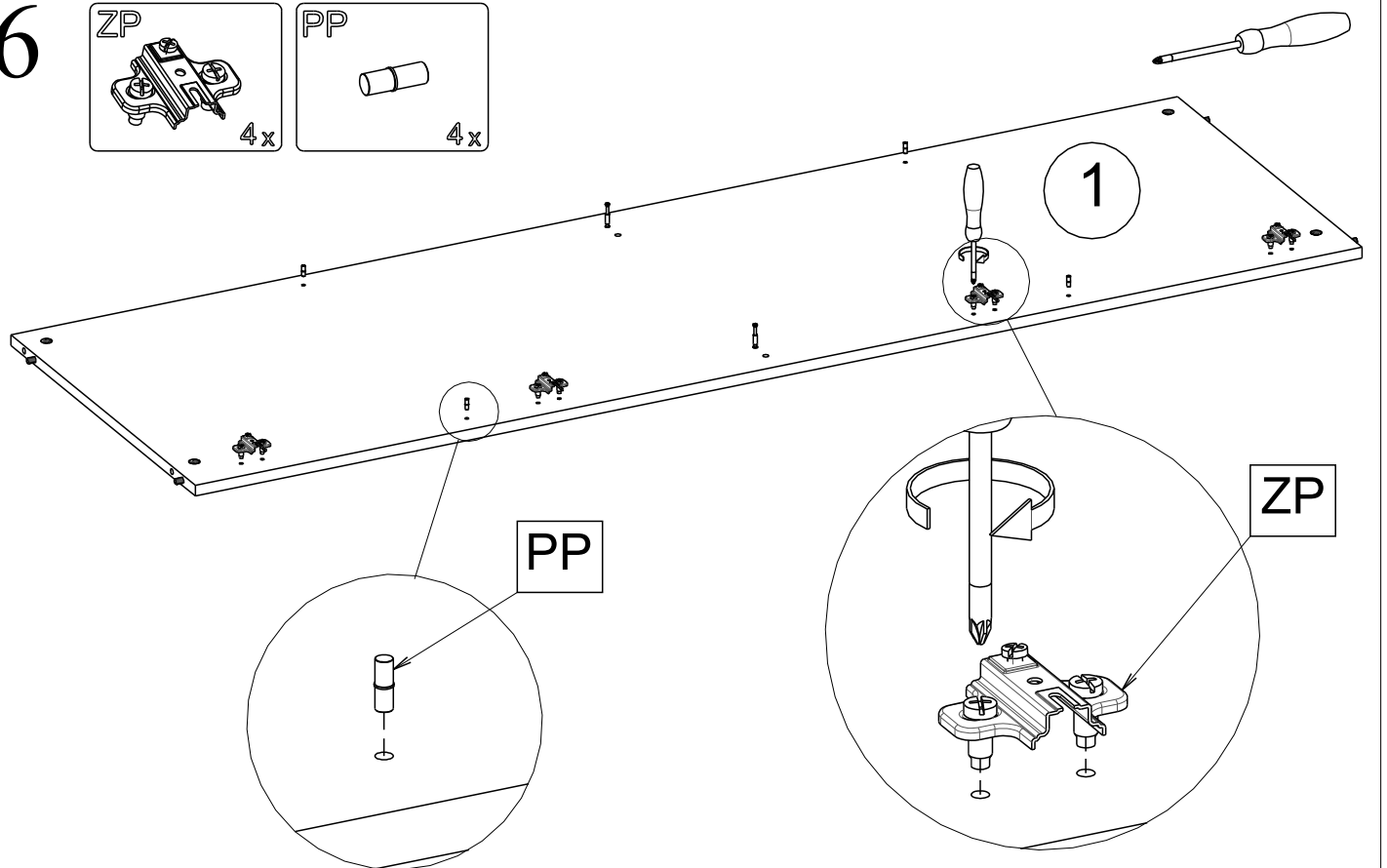
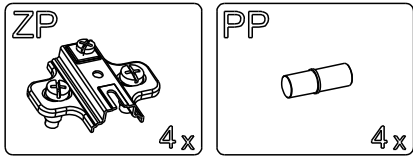
4



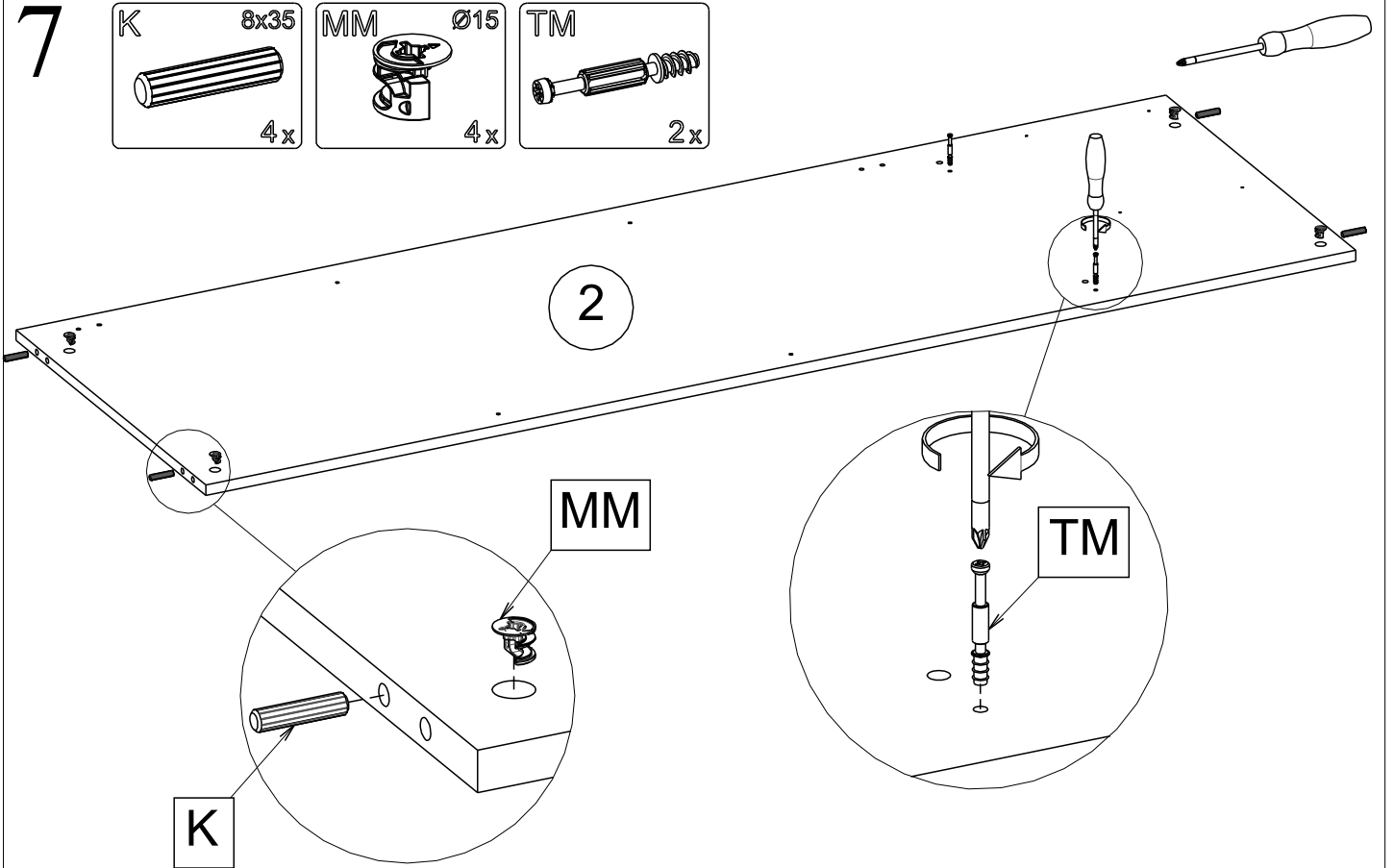
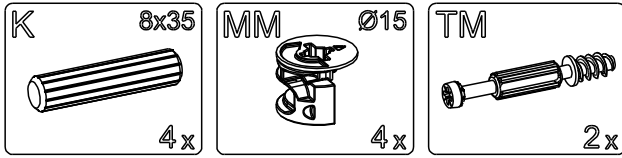
5



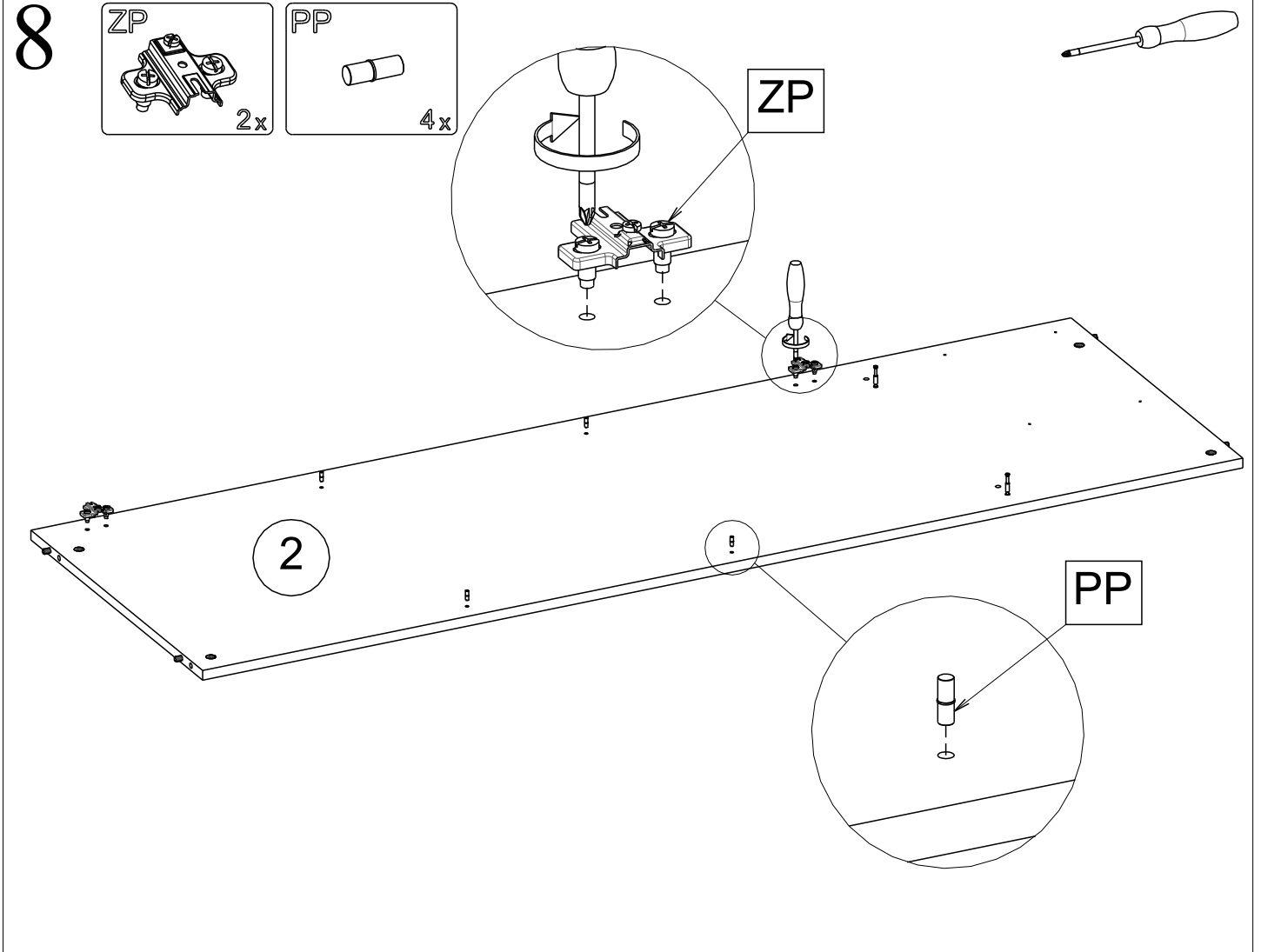
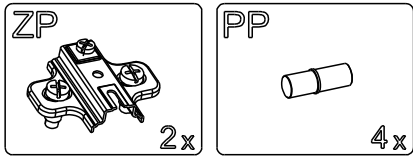
6



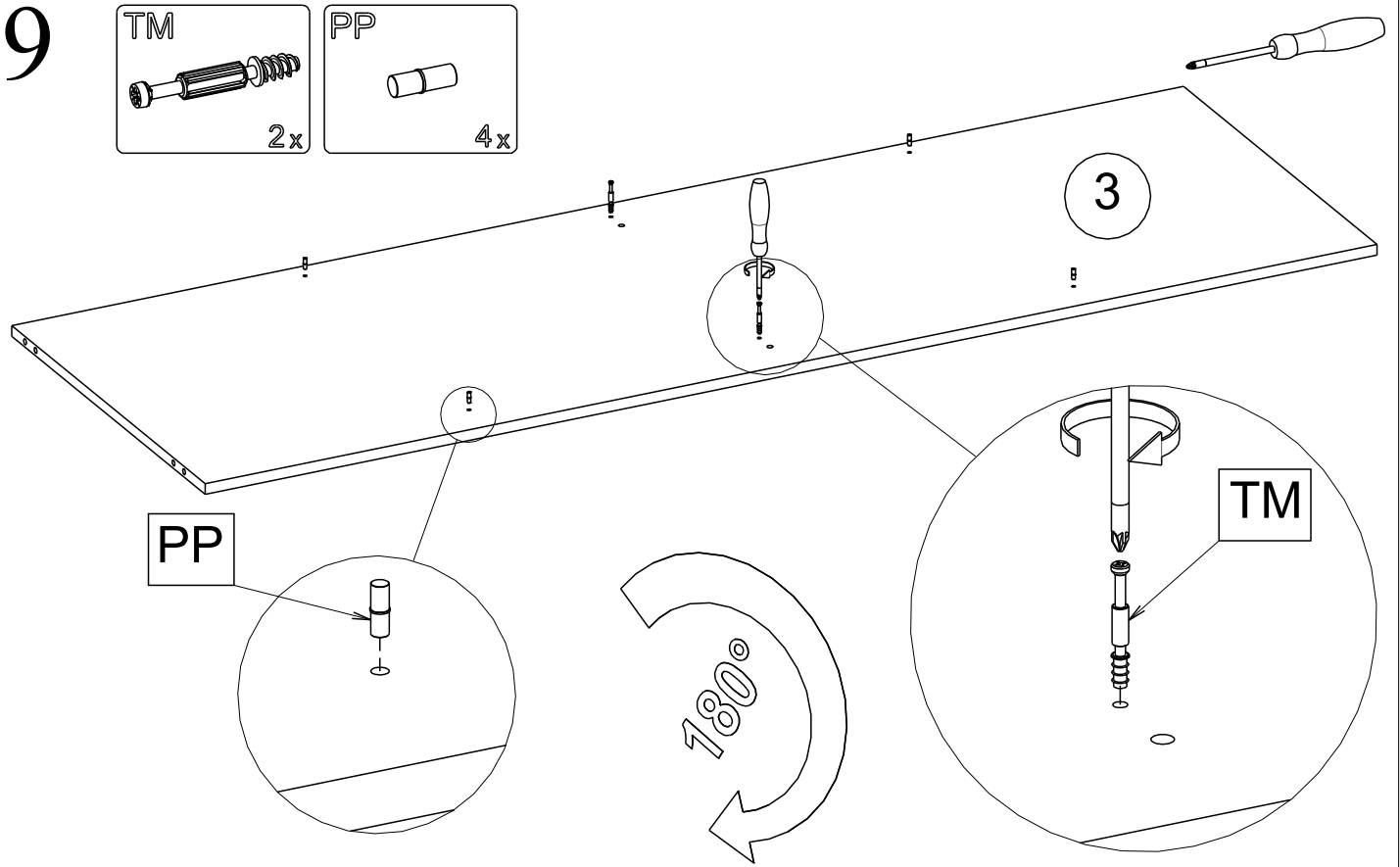
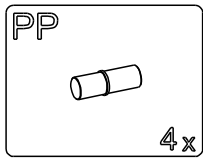
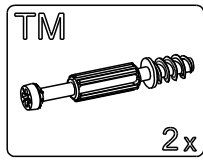
7



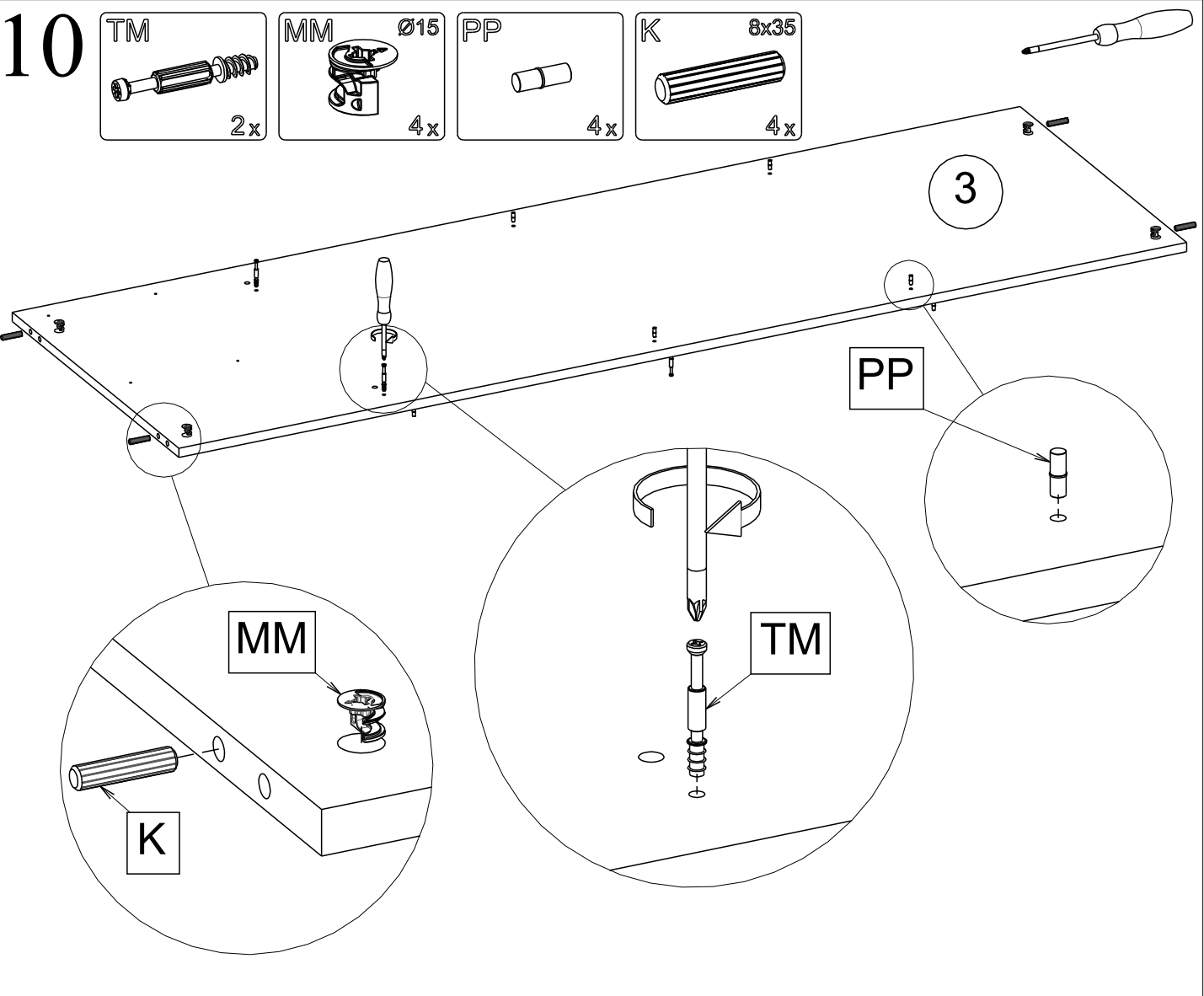
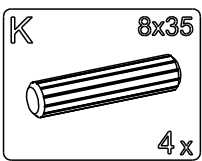
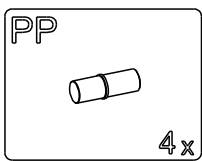
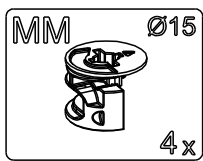
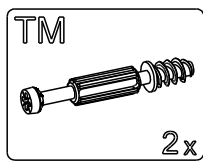
8



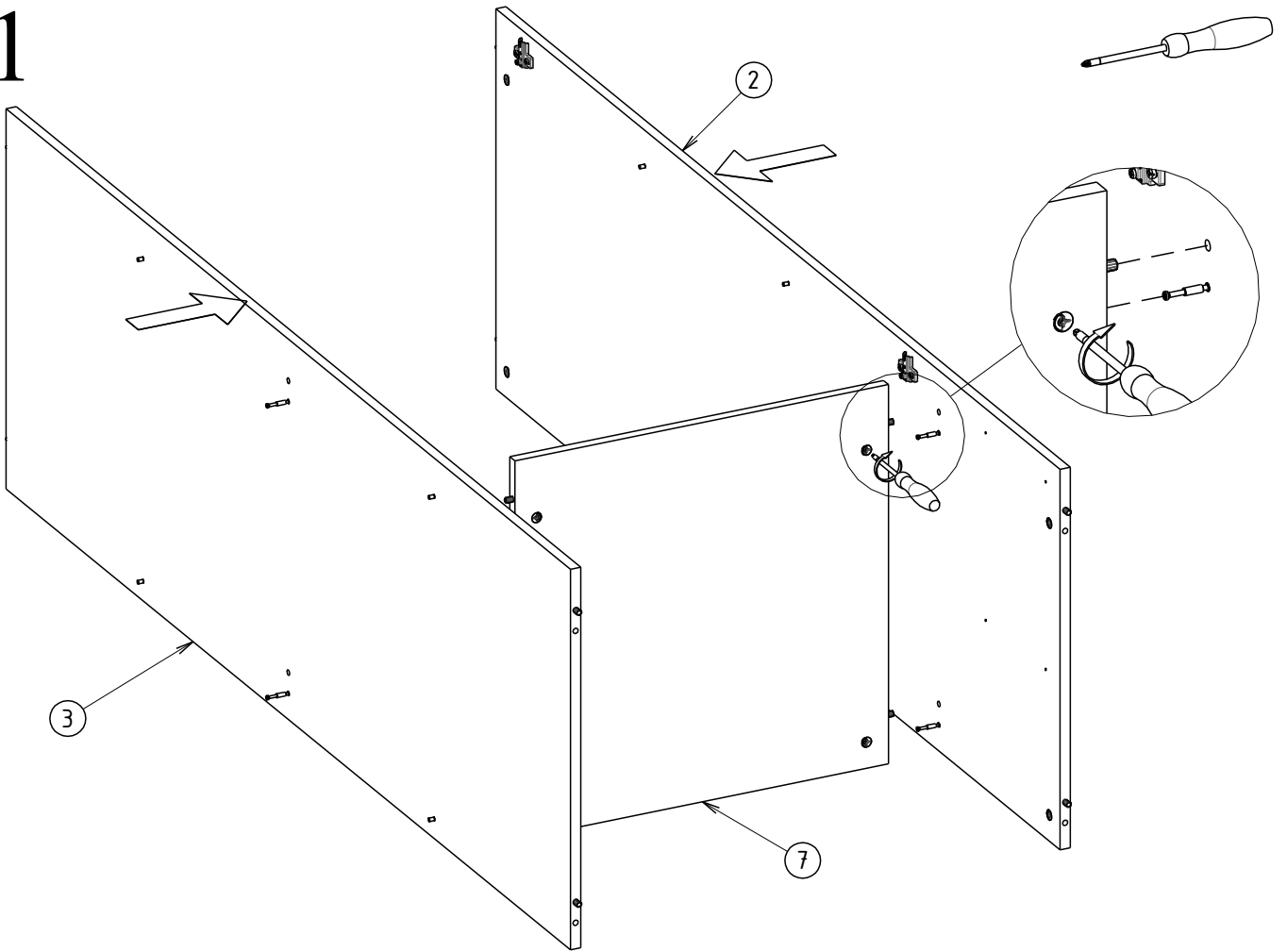
9



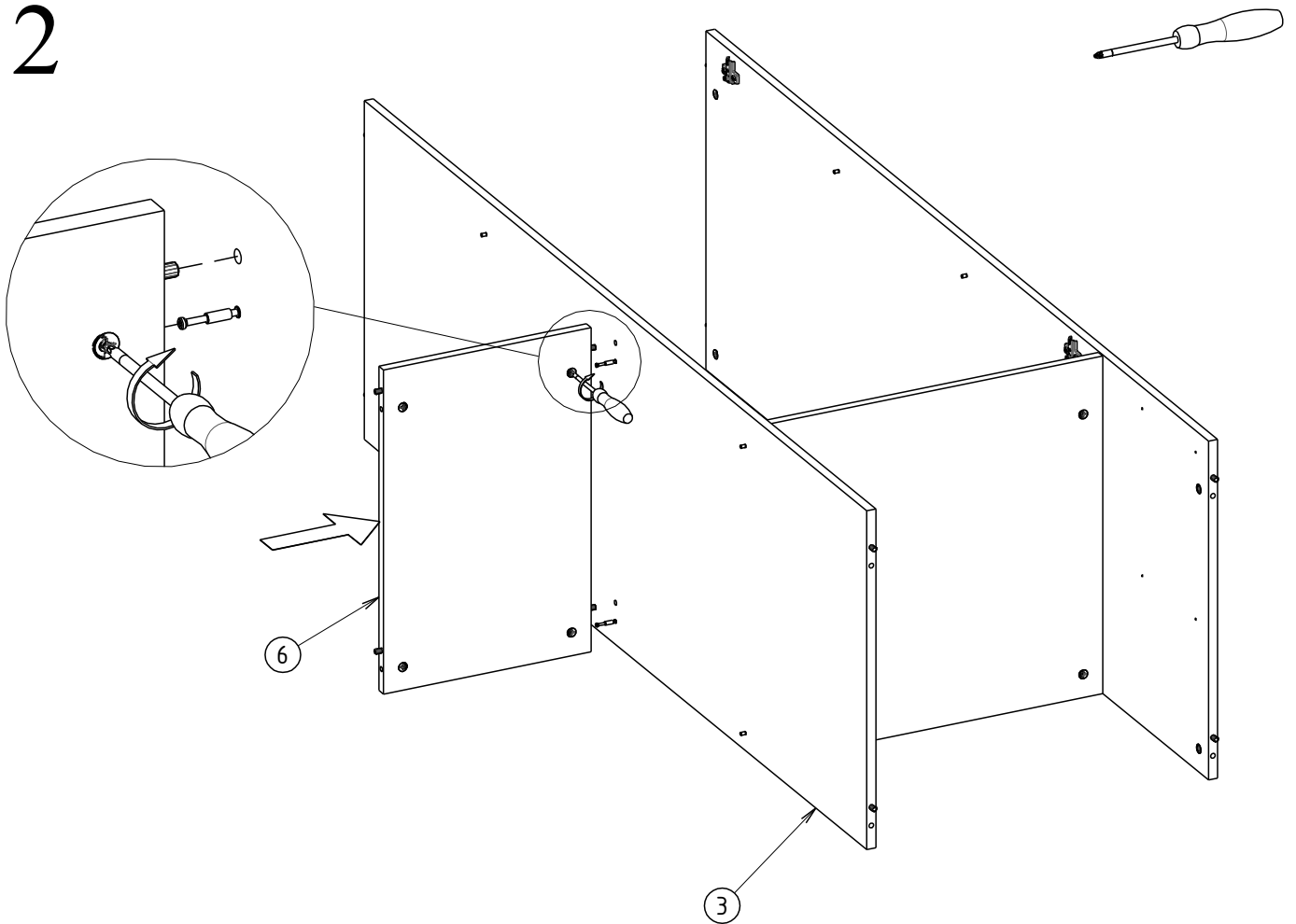
10



# 11

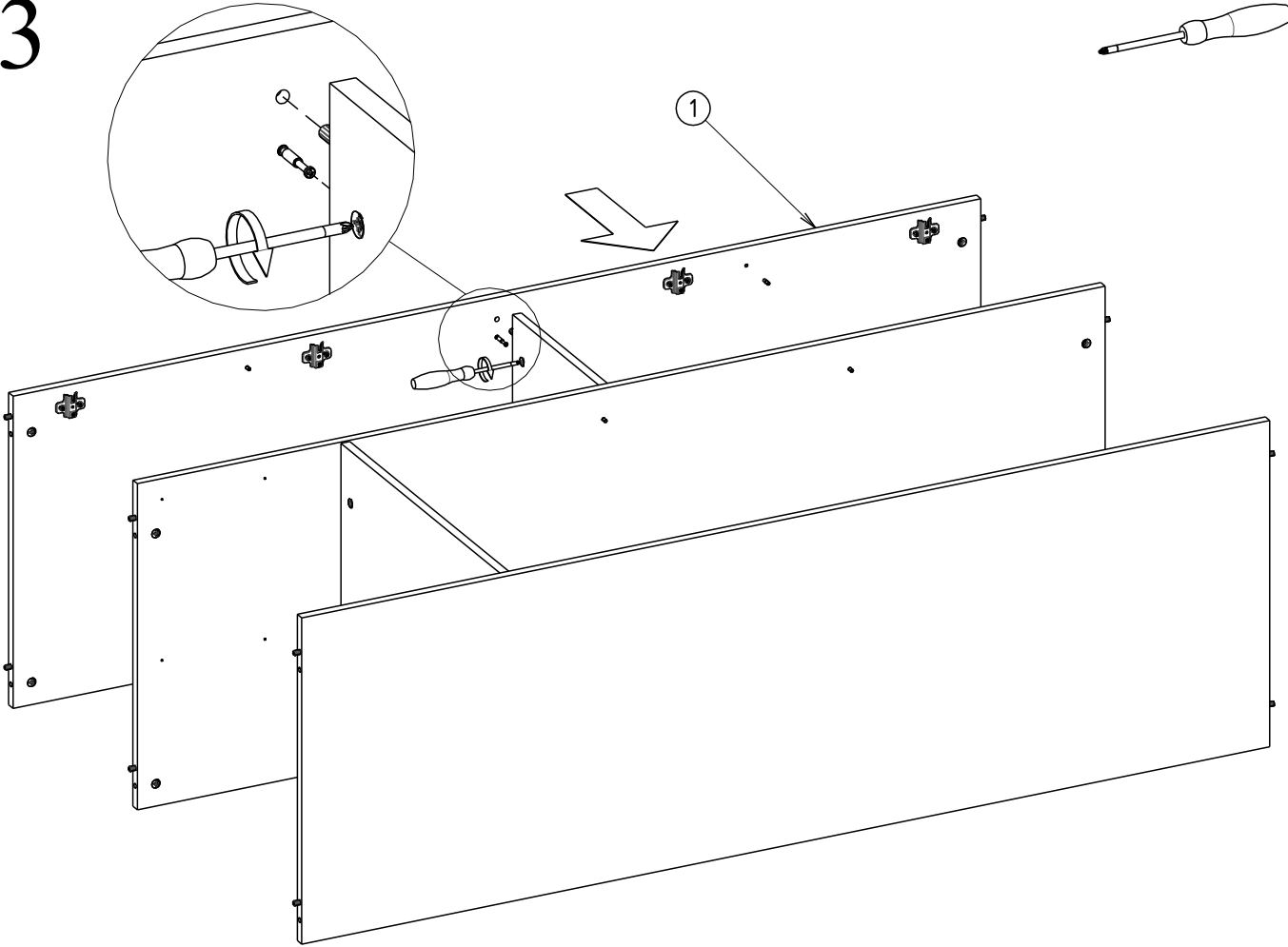
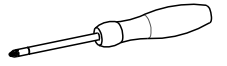


# 12

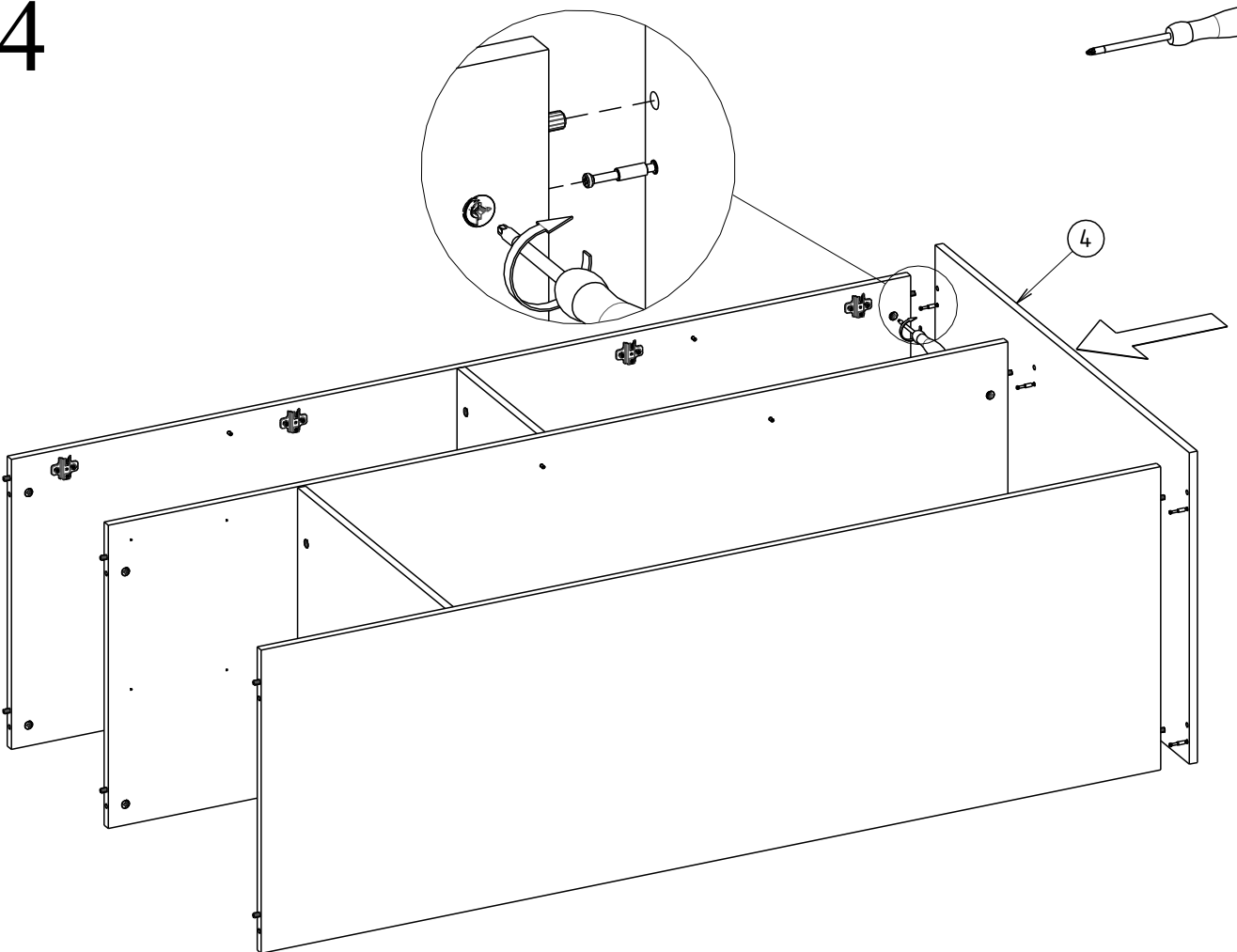
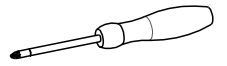




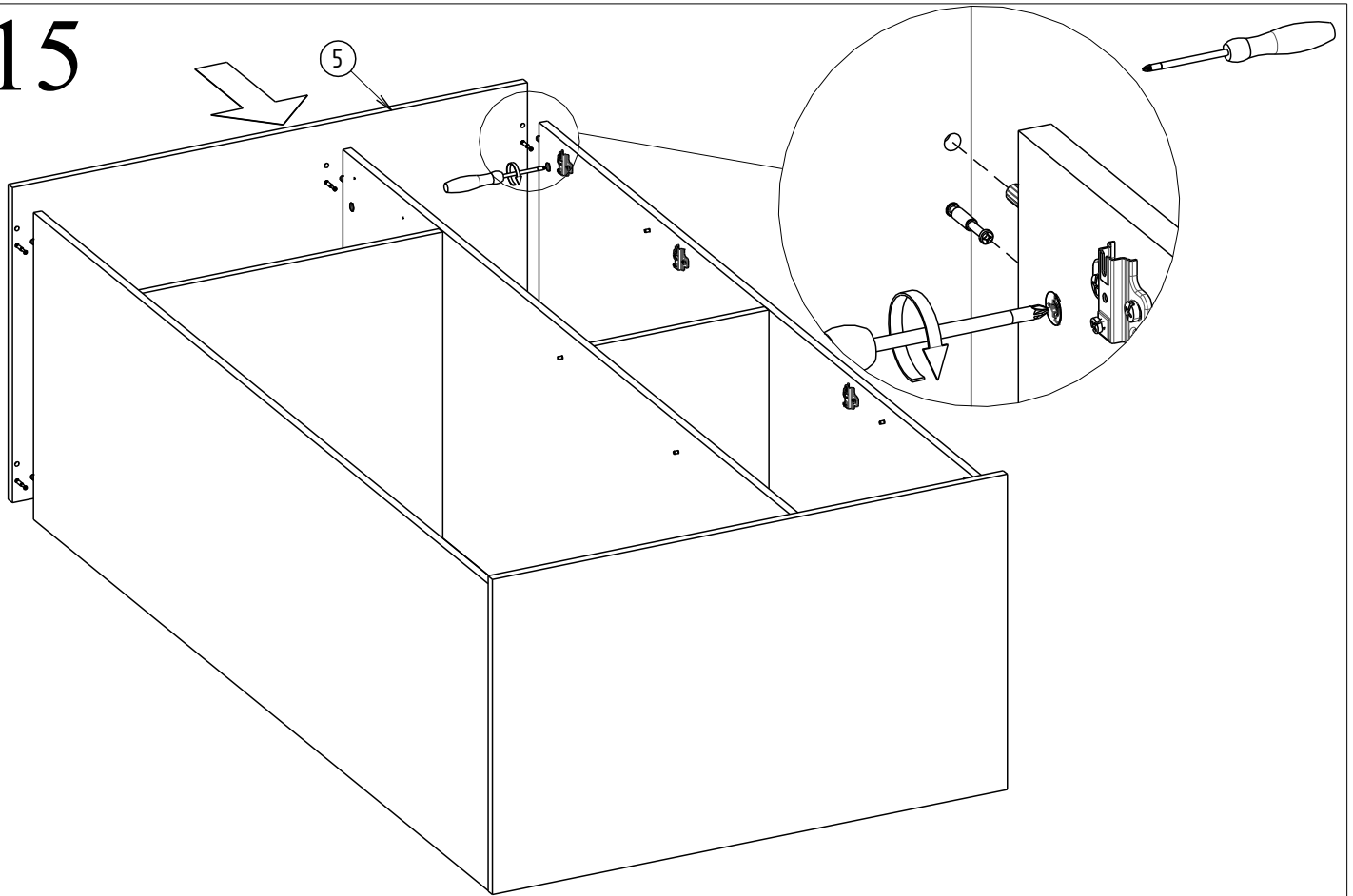
13



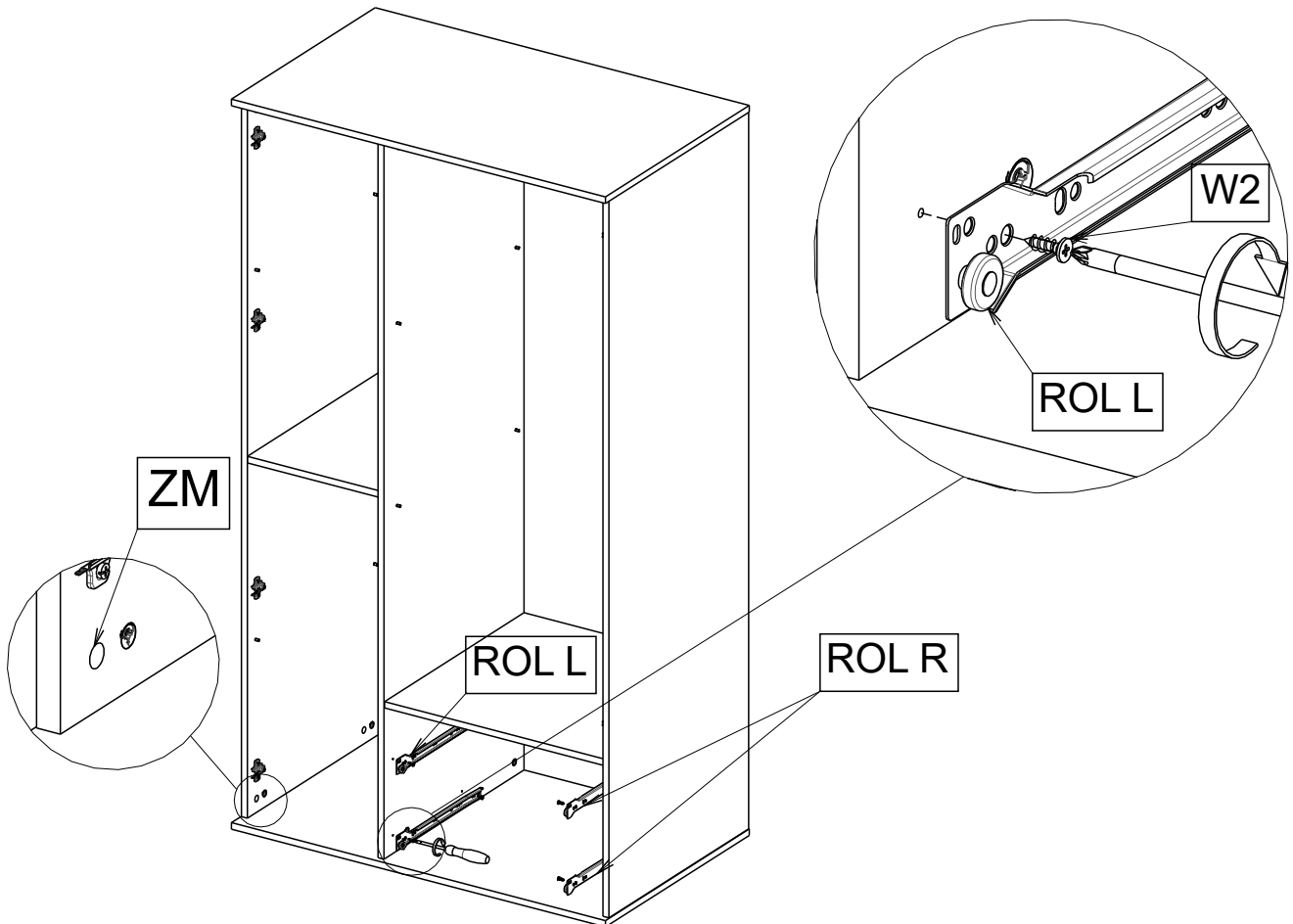
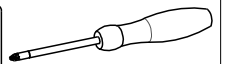
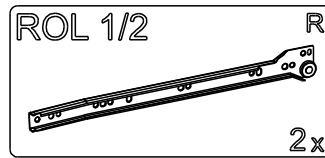
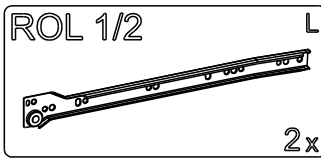
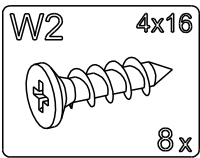
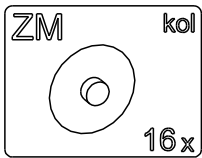
14



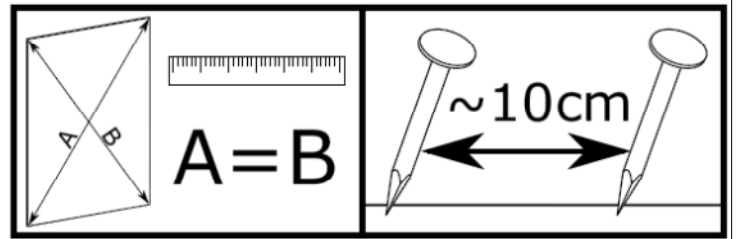
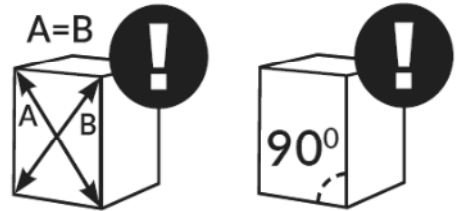
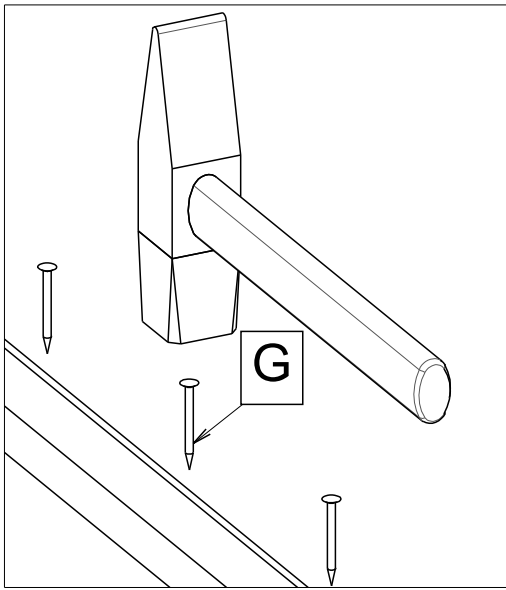
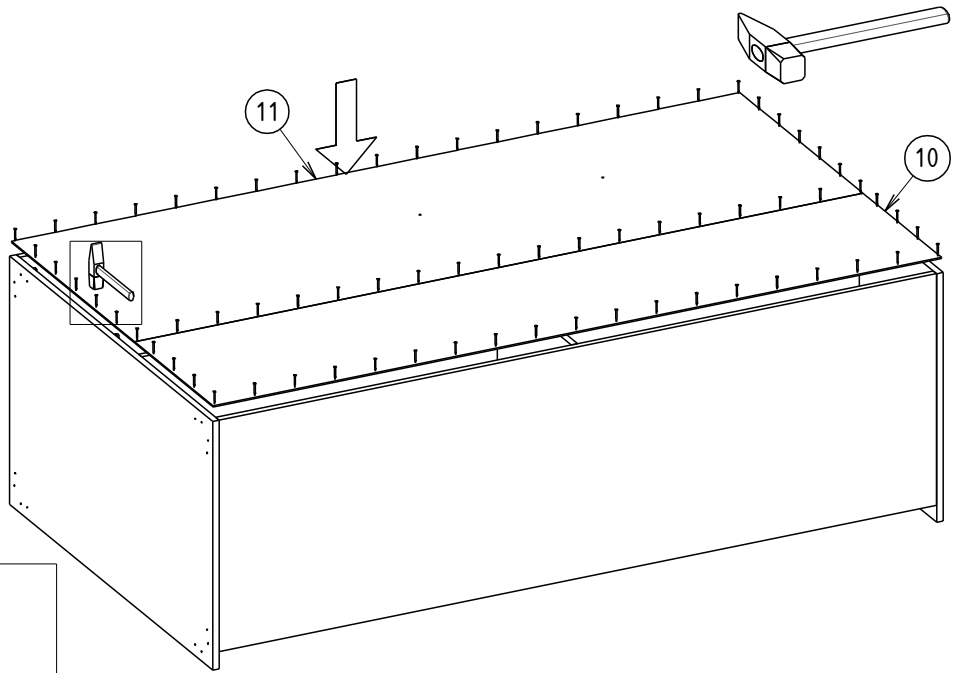
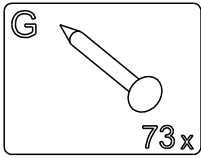
# 15



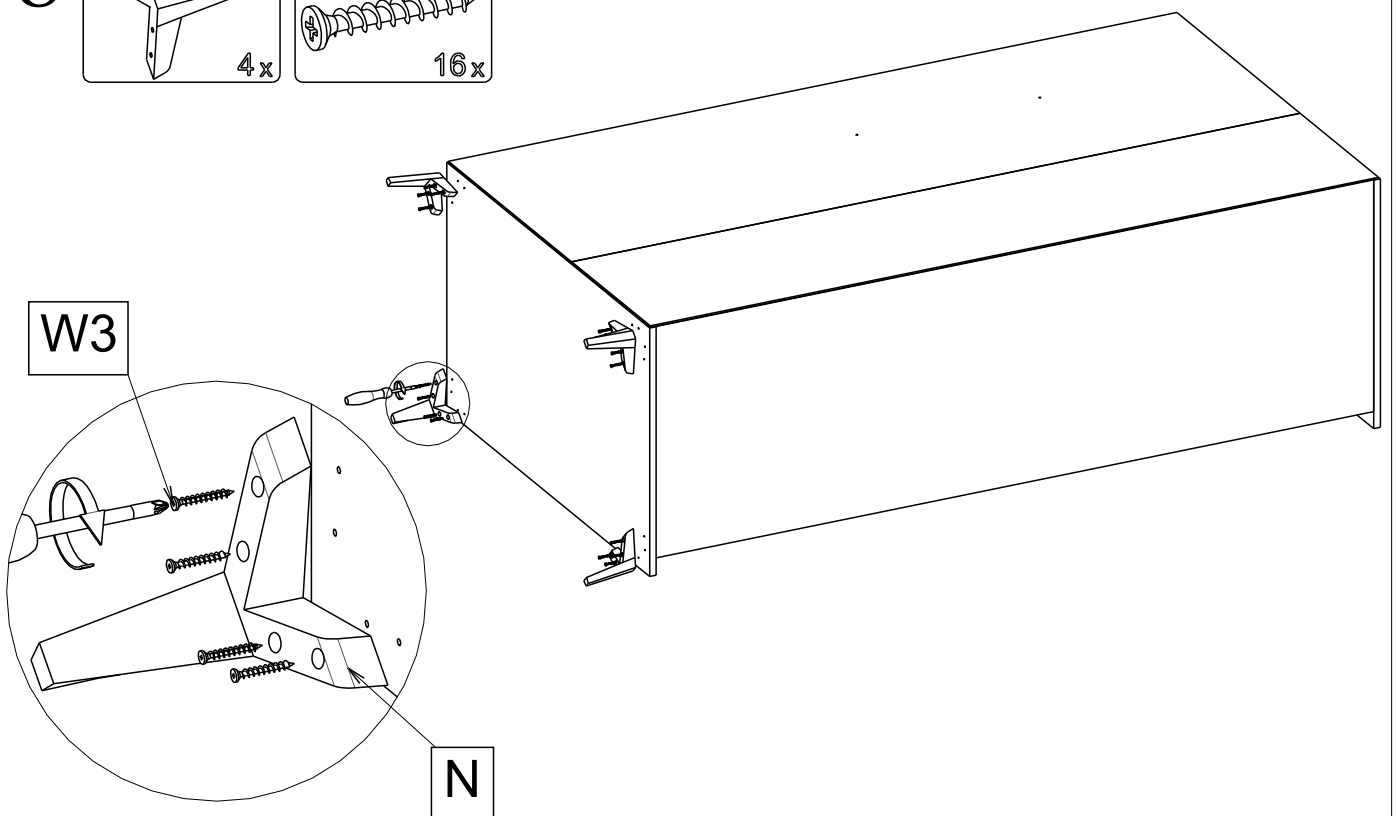
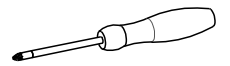
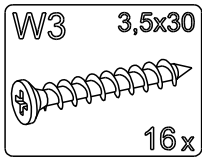
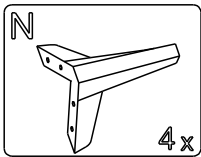
# 16



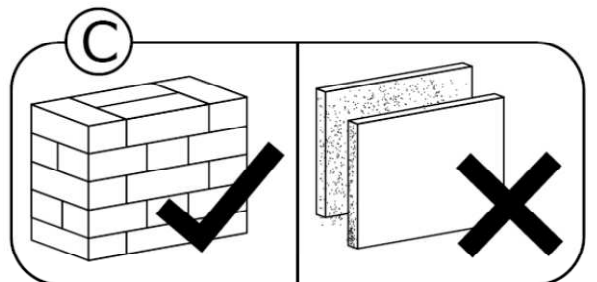
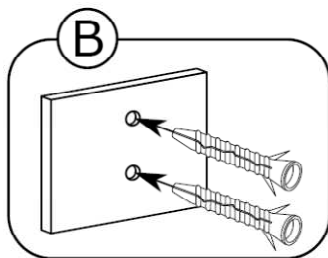
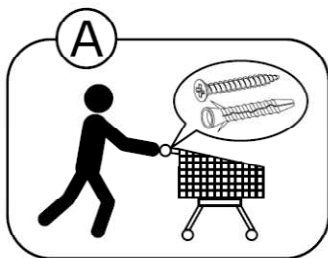
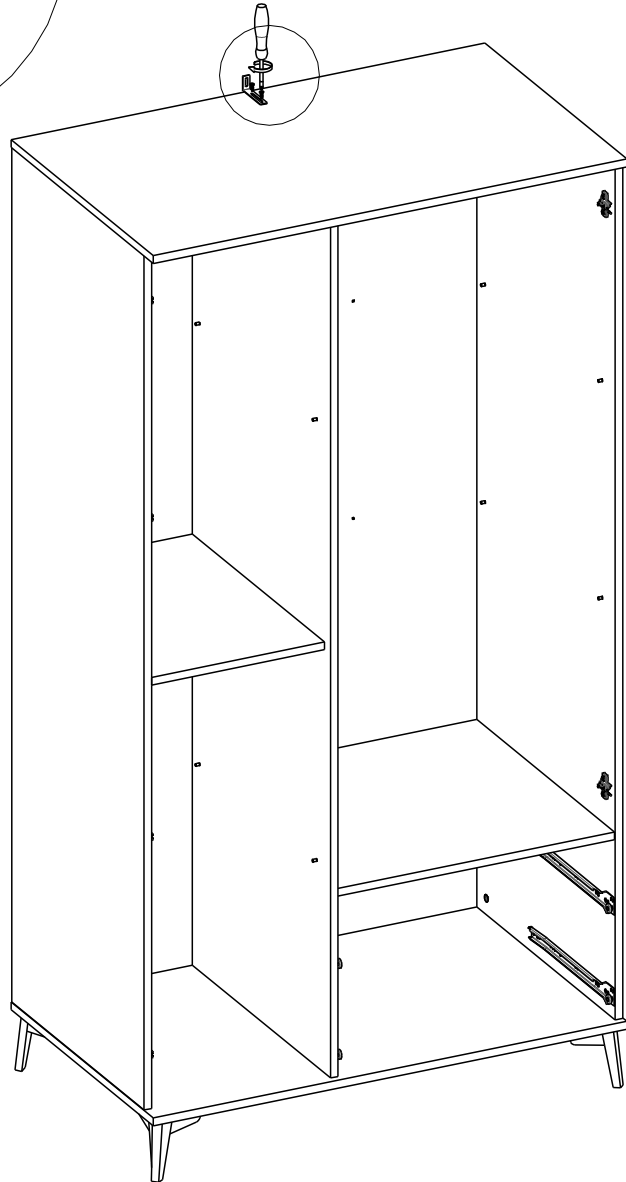
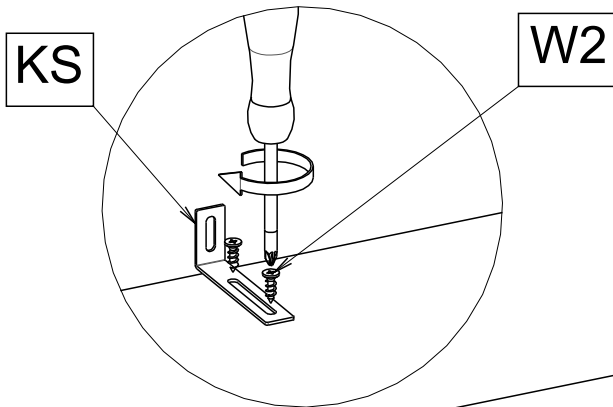
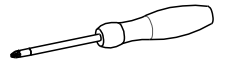
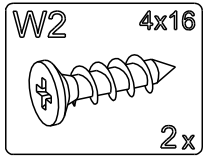
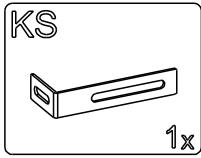
# 17



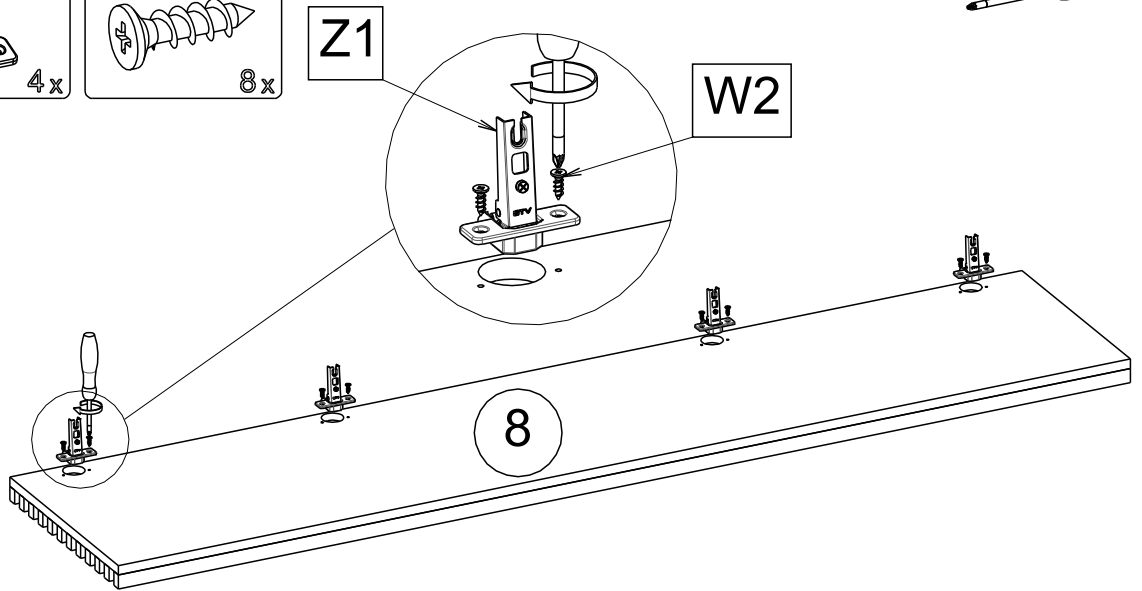
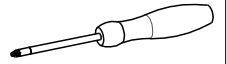
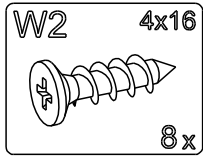
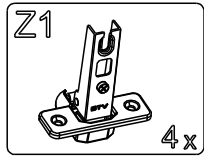
# 18



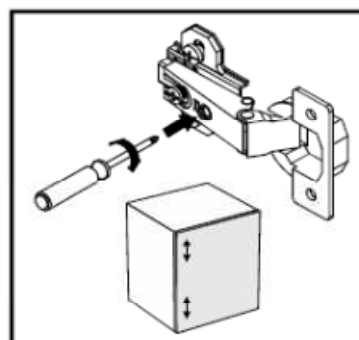
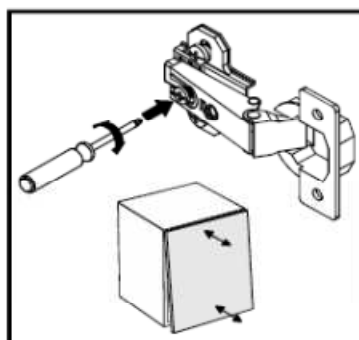
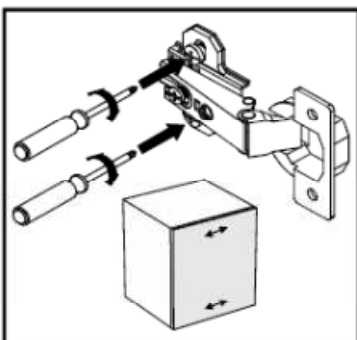
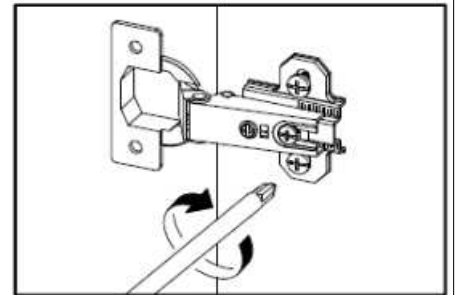
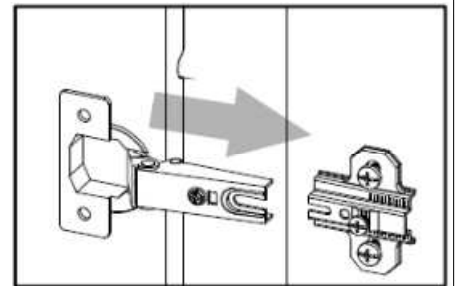
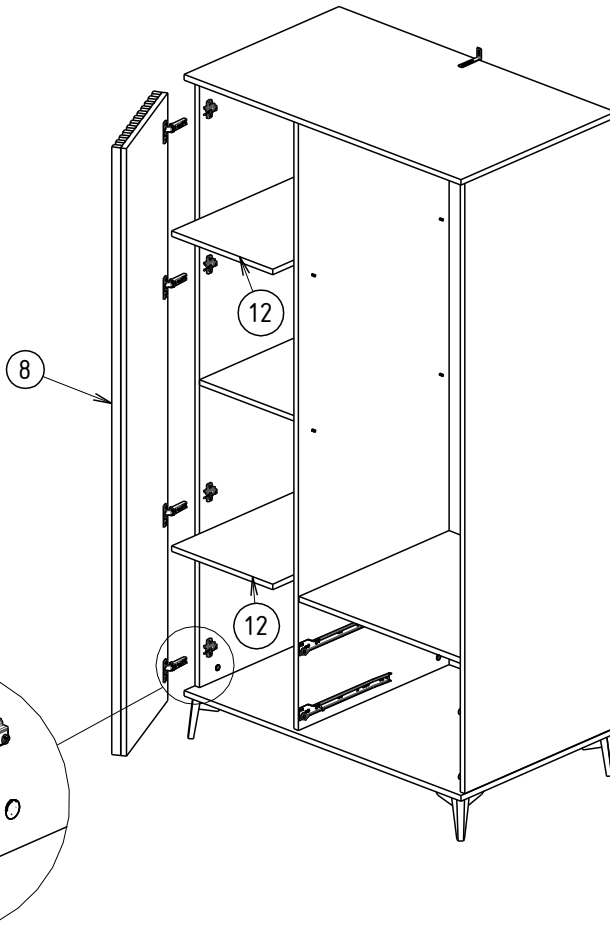
# 19



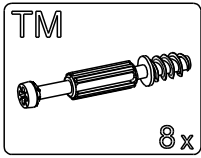
# 20



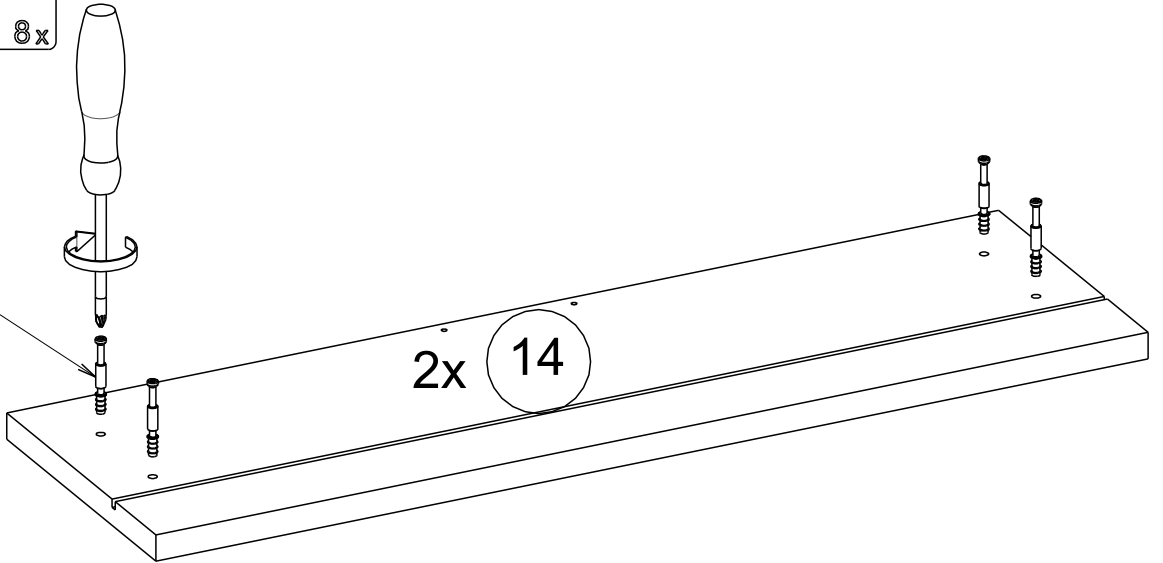
# 21



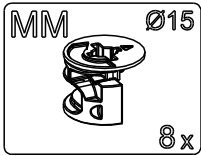
22



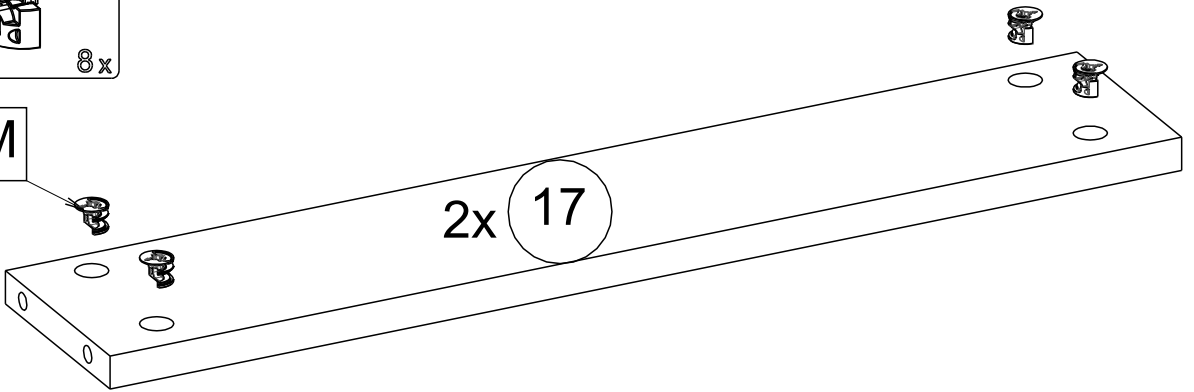
TM



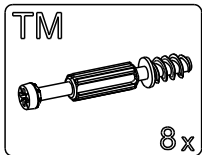
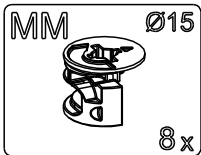
23



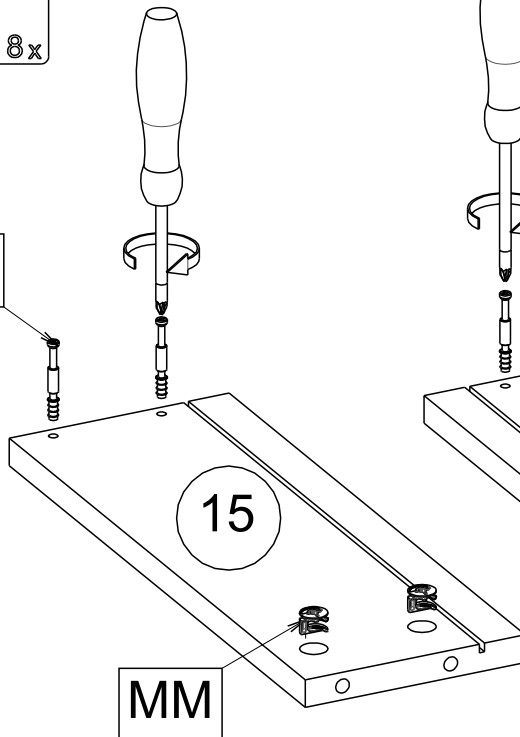
MM



24

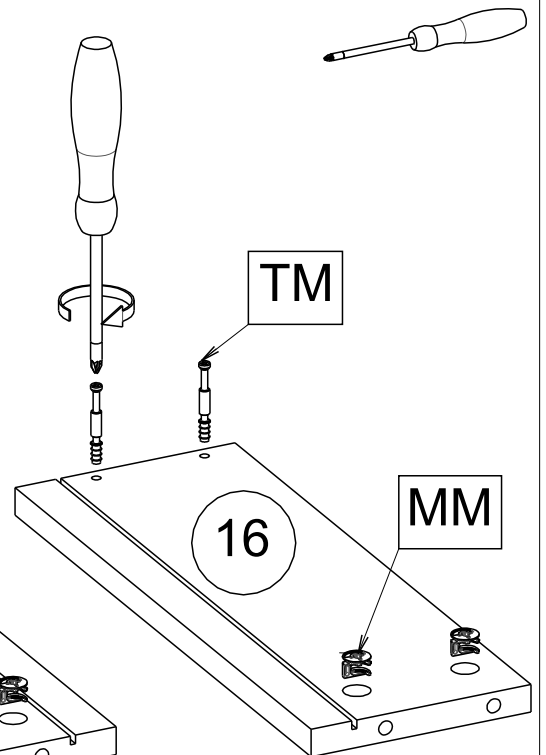


TM



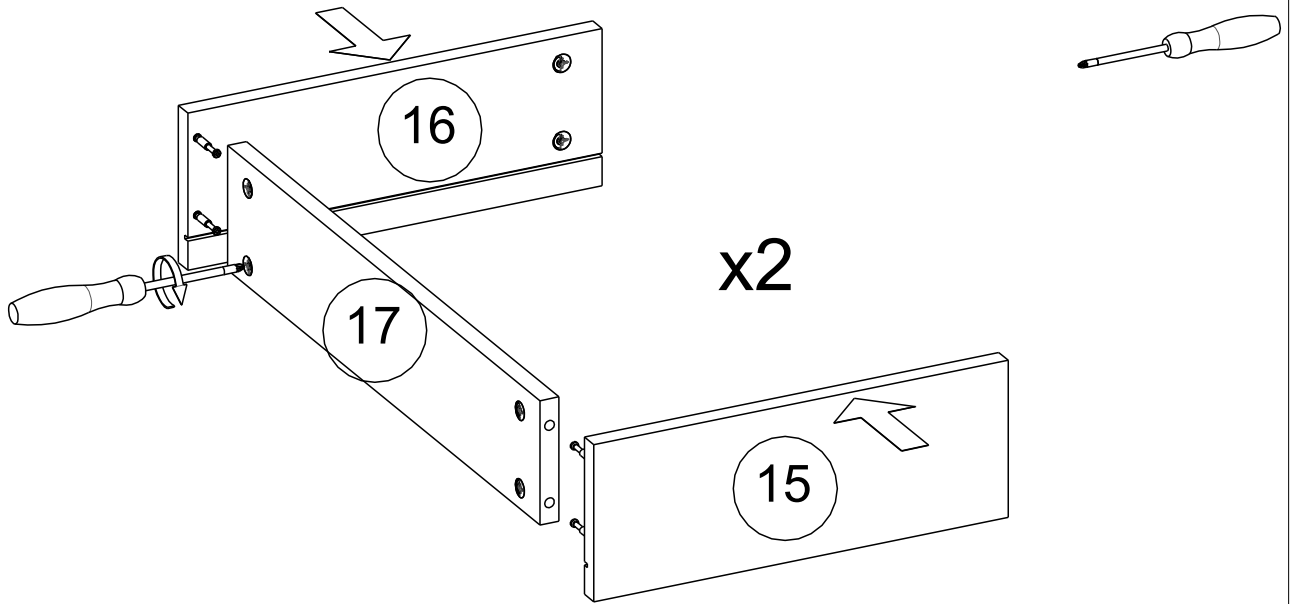
MM

TM

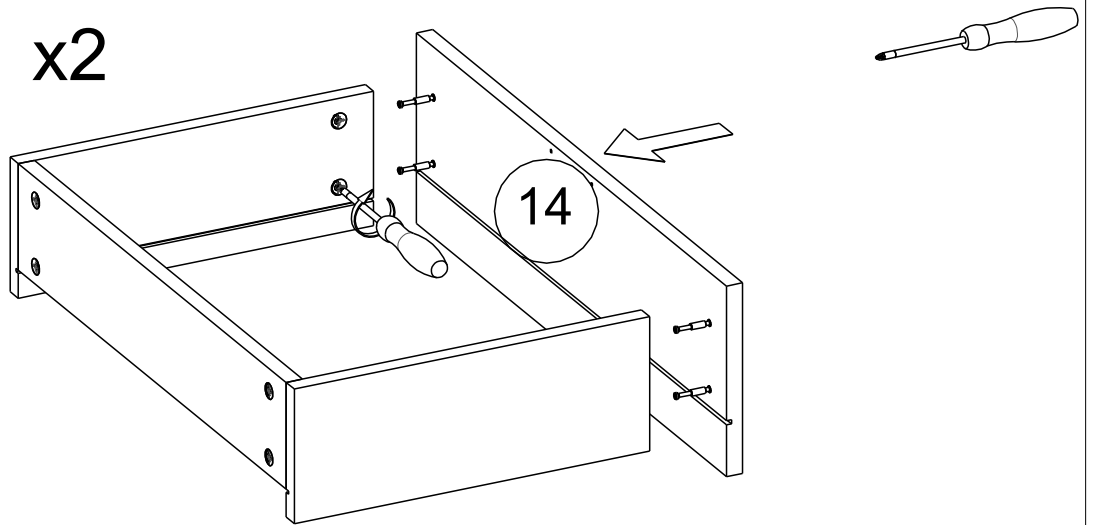


MM

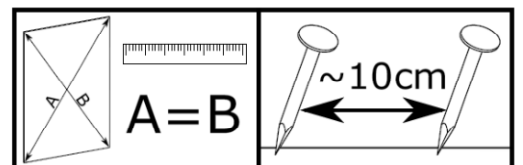
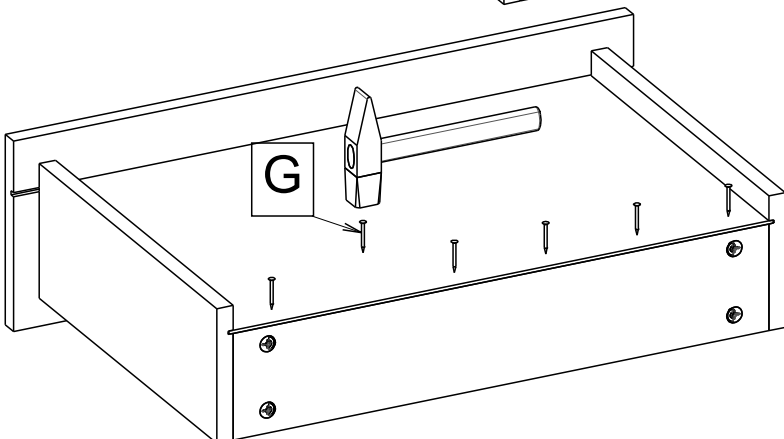
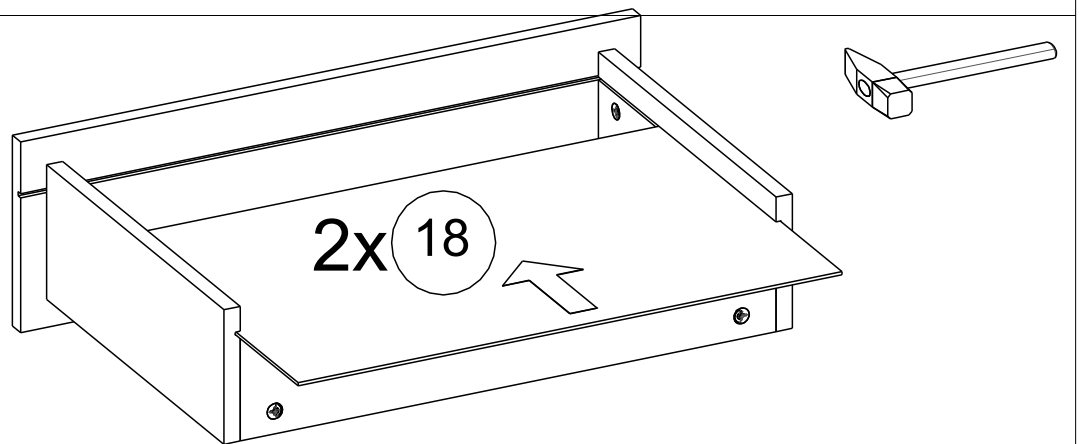
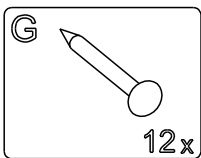
25



26



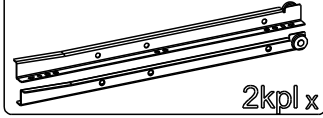
27



28

ROL 2/2

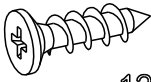
L + R



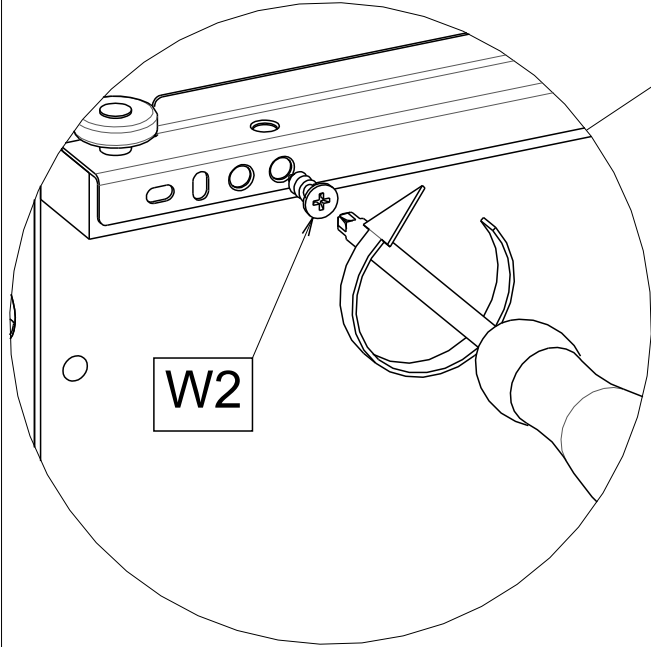
2kpl x

W2

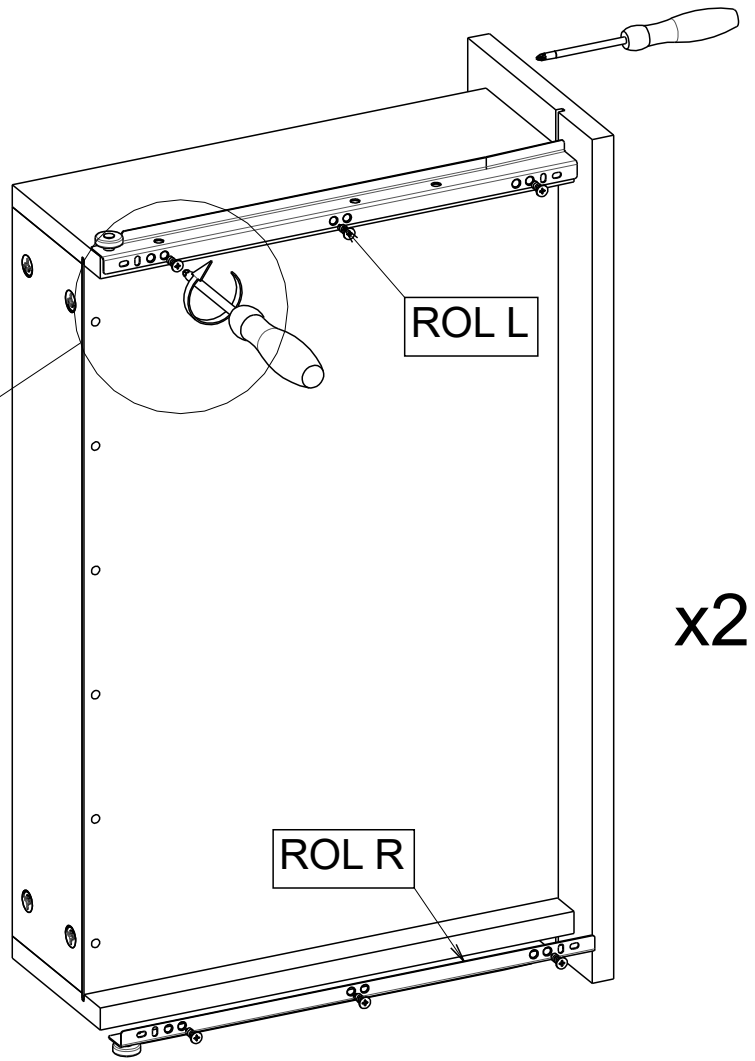
4x16



12x



W2



ROL L

ROL R

x2

29

ZM

kol



16x

U



2x

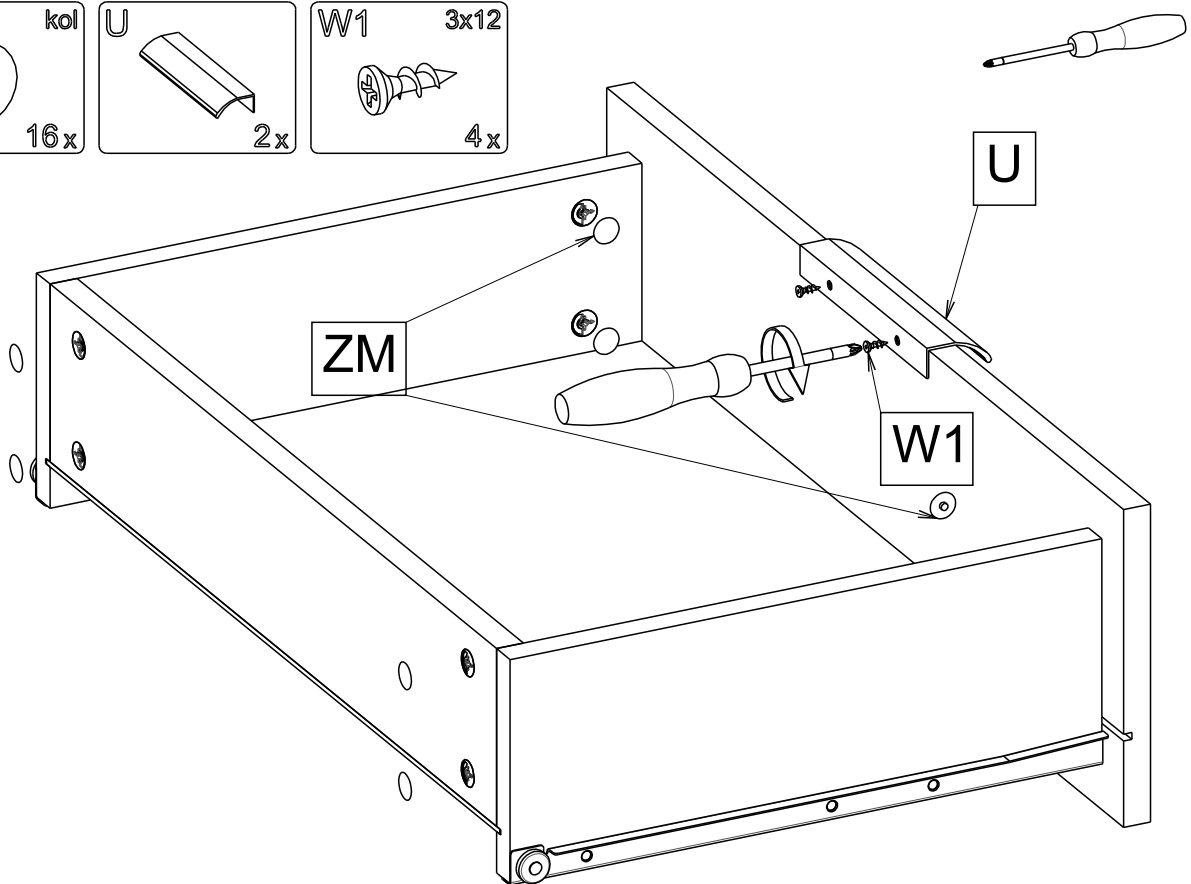
W1

3x12



4x

2x



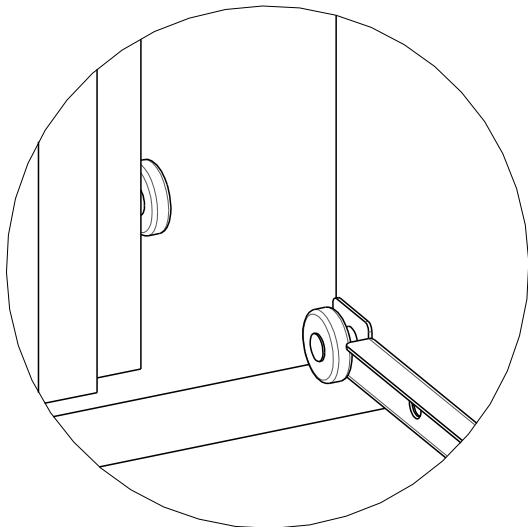
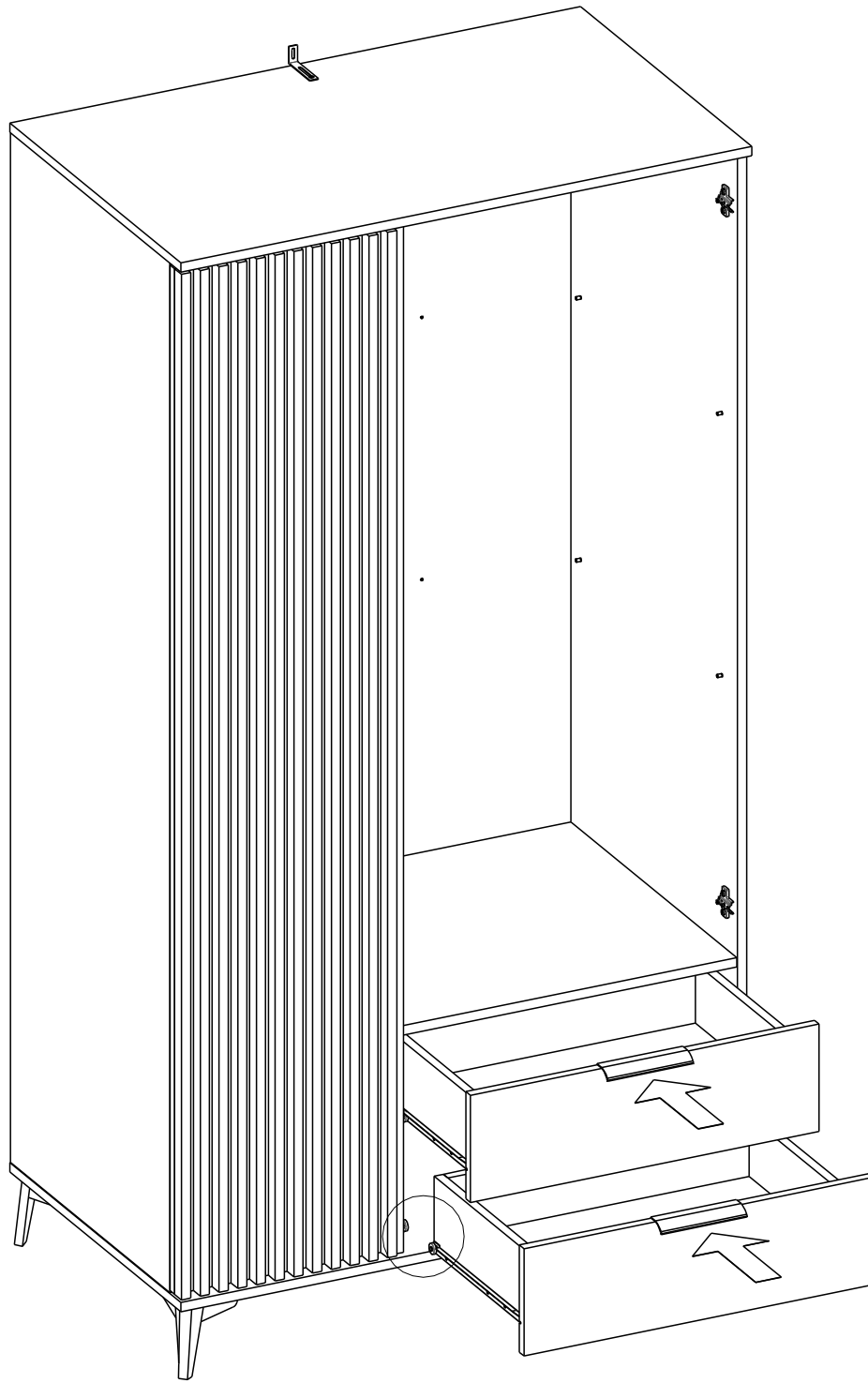
ZM

U

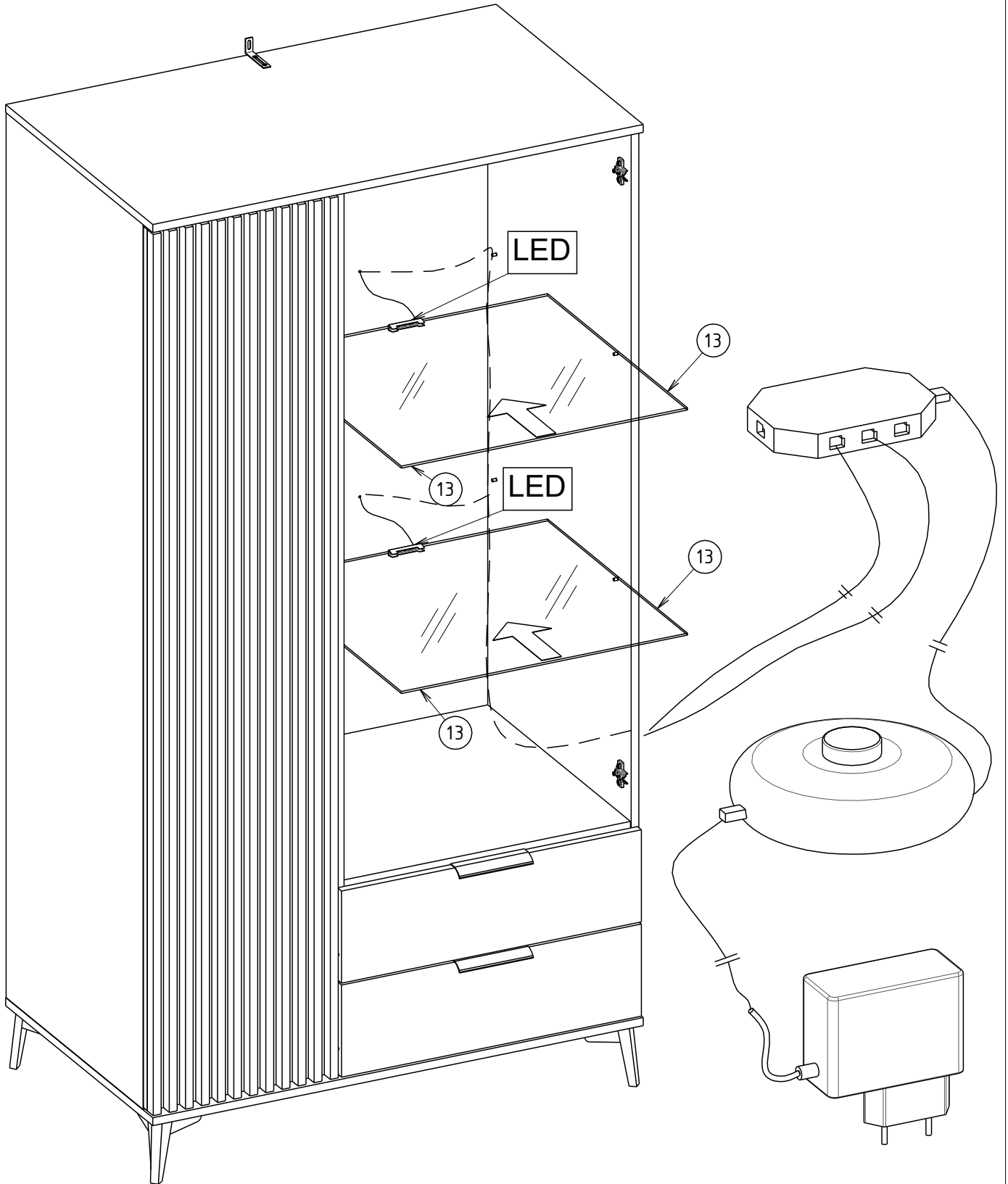
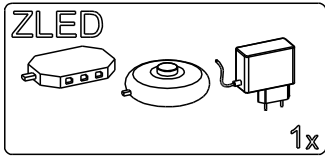
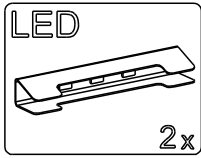
W1



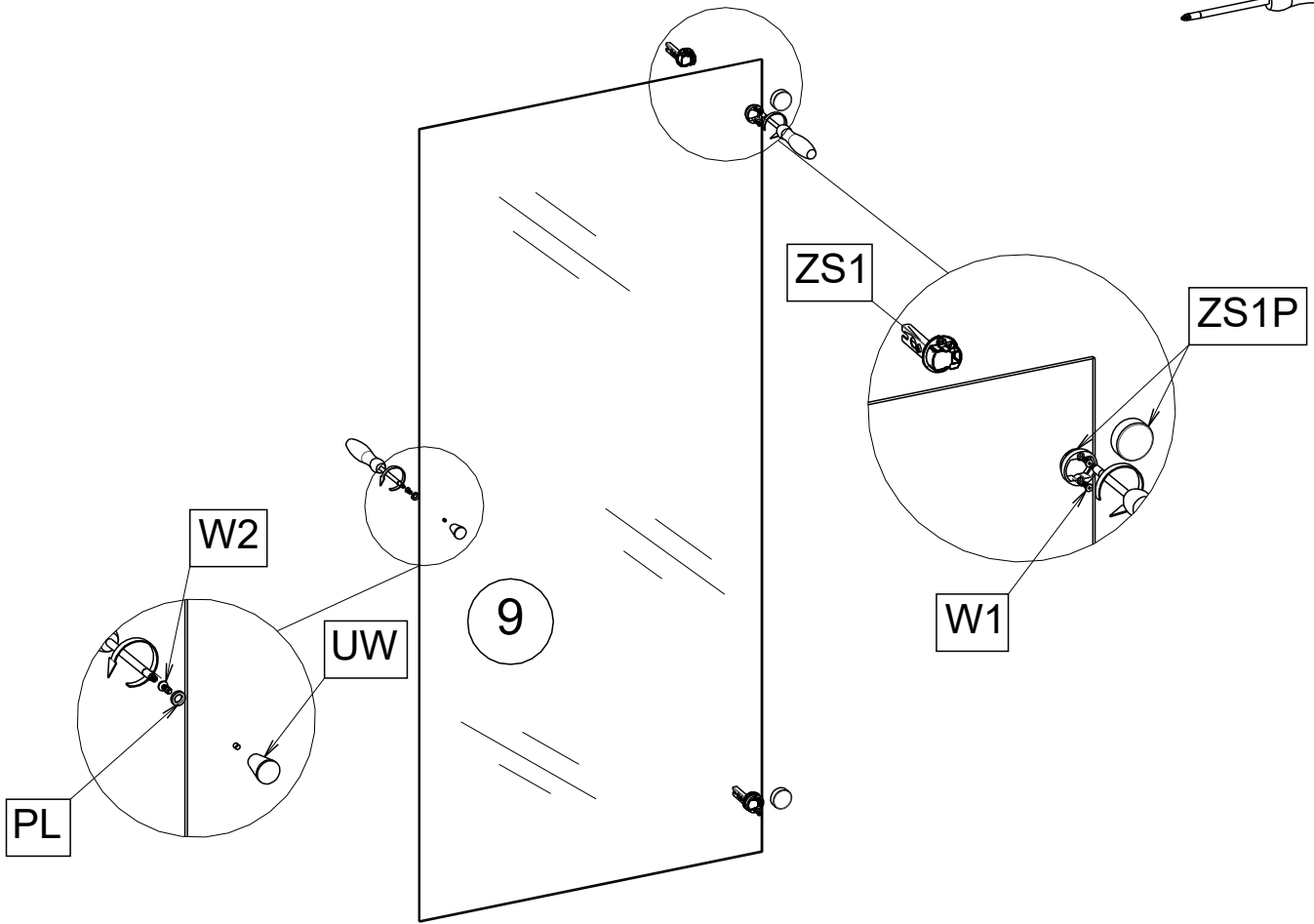
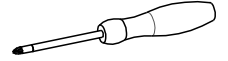
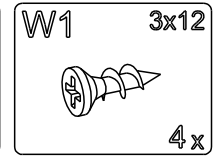
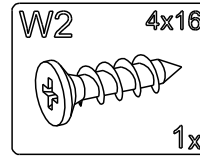
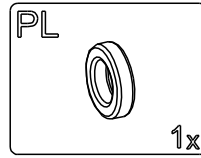
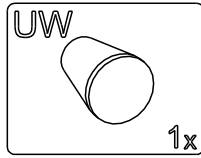
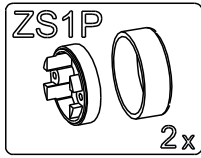
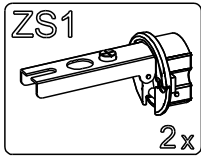
30



31



# 32



# 33

