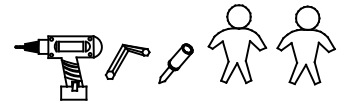


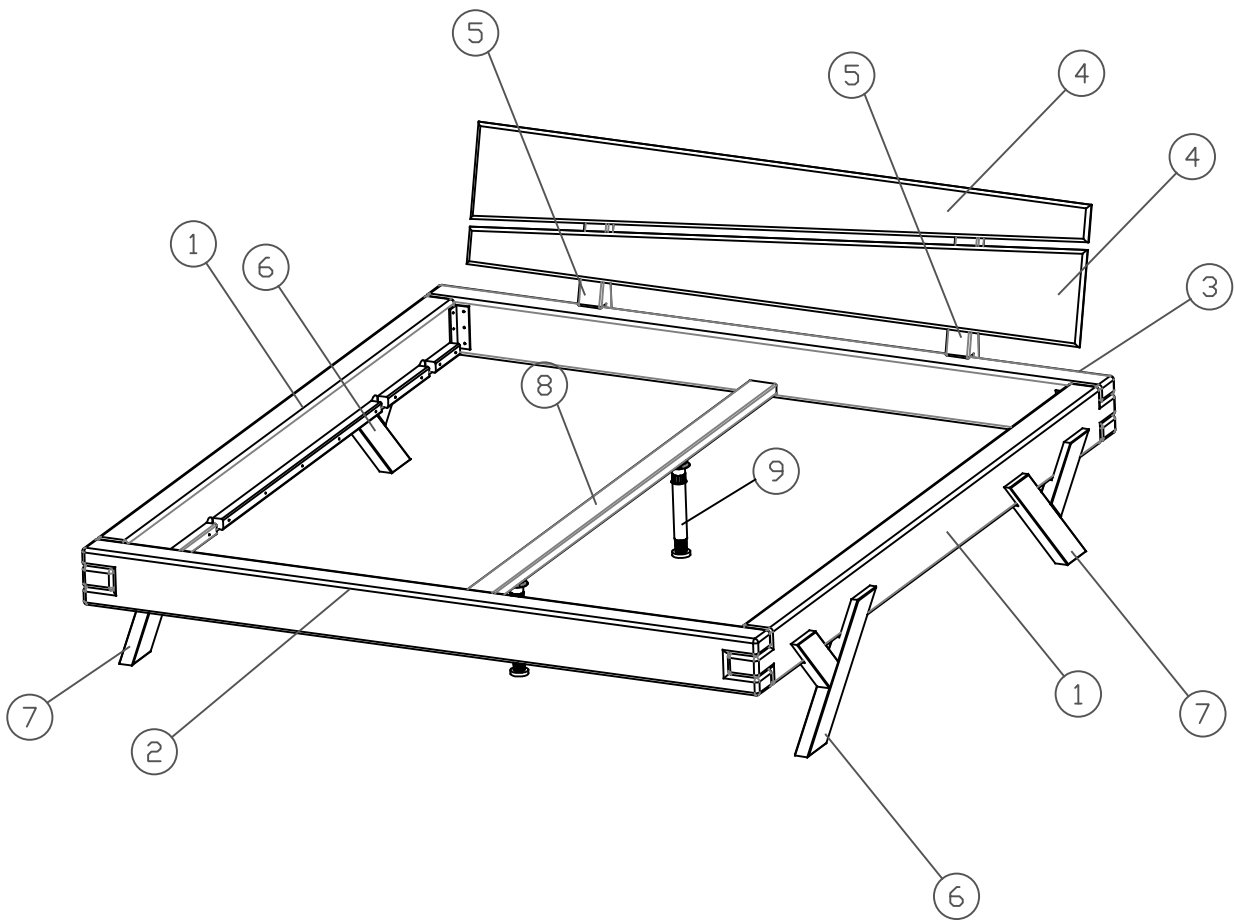
# BED WORB

22-753-19

22-754-19

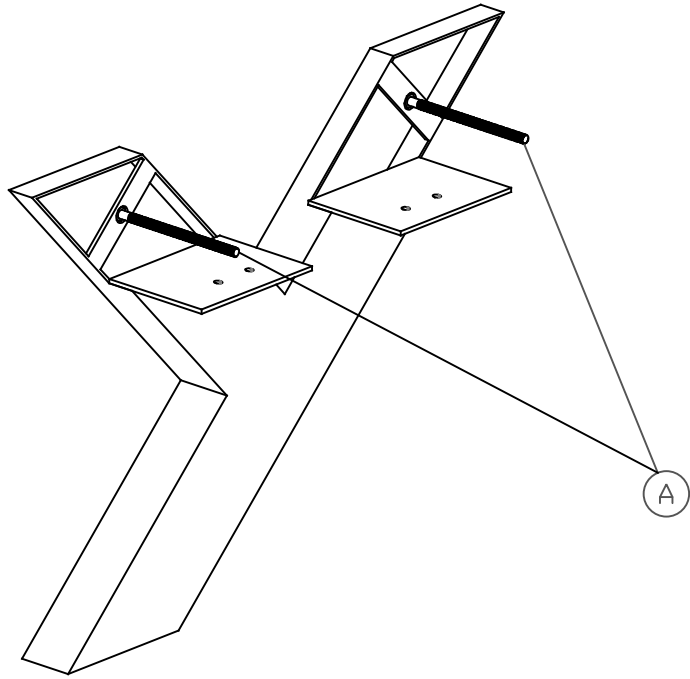


40 Minutes



M8x105  A x 8	M8  B x 8	M8  C x 8	13  x 1	4x35  D x 24	3,5x16  E x 14	40x40x120  F x 4	 G x 2	 H x 2	 I x 2
 J x 2	 K x 2	 L x 2	M6x60  M x 4	M6x55  N x 6					

1.

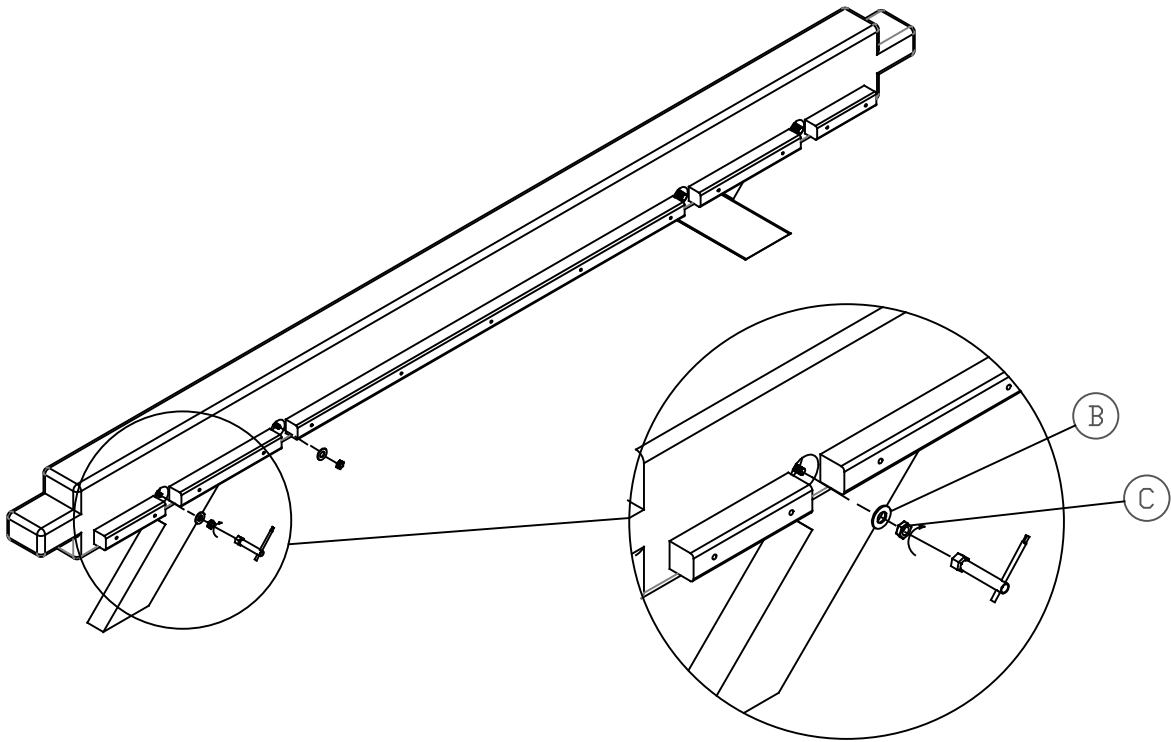


M8x105



Ax8

2.



M8x105



Ax8

M8



Bx8

M8



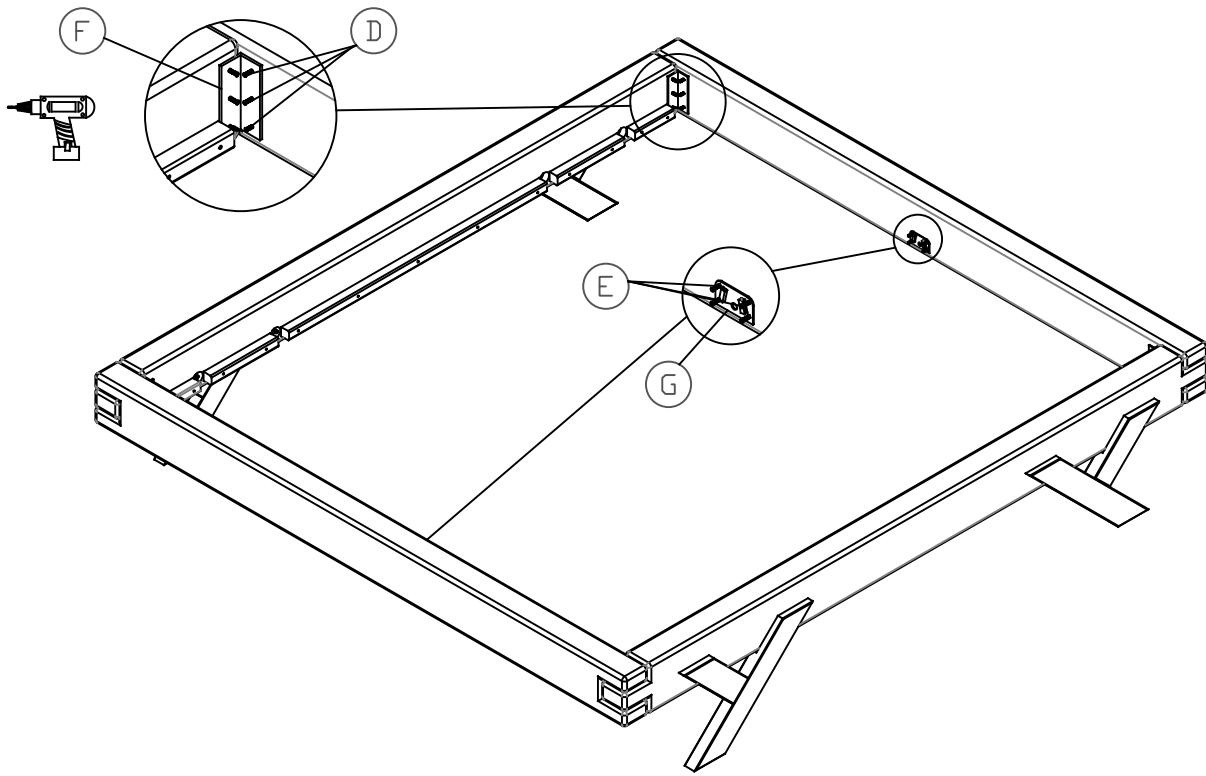
Cx8





13



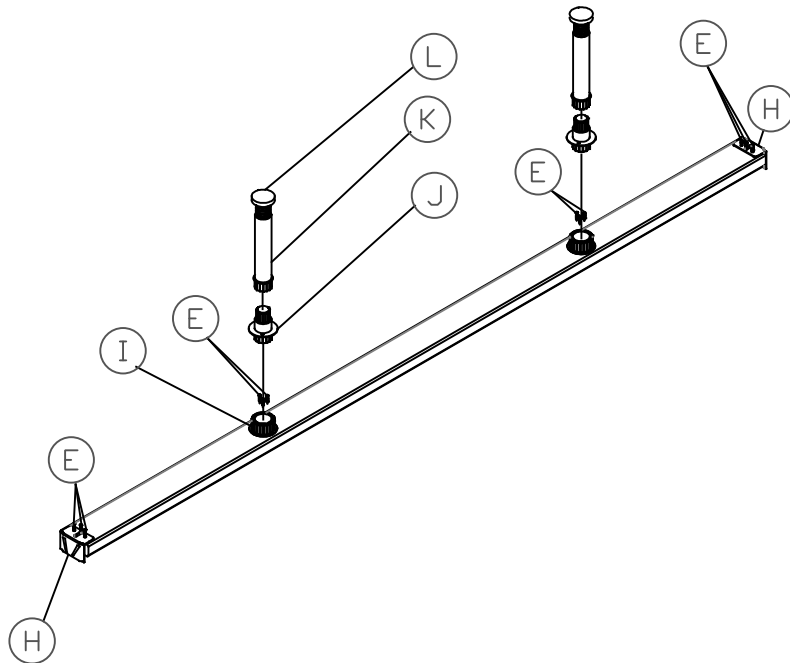
x1




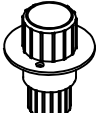


3.



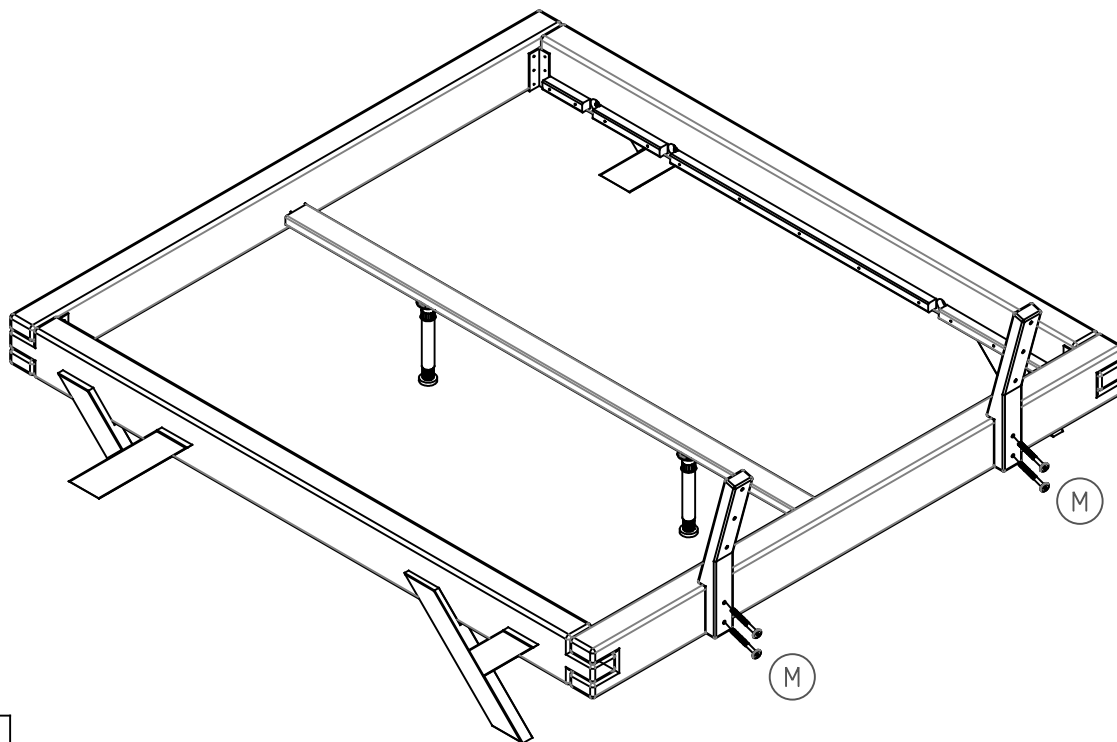
4x35  Dx24	3,5x16  Ex8	40x40x120  Fx4	 Gx2
---	---	--	---

4.

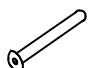


 Hx2	3,5x16  Ex12	 Ix2	 Jx2	 Kx2	 Lx2
---	---	--	--	--	--

5.

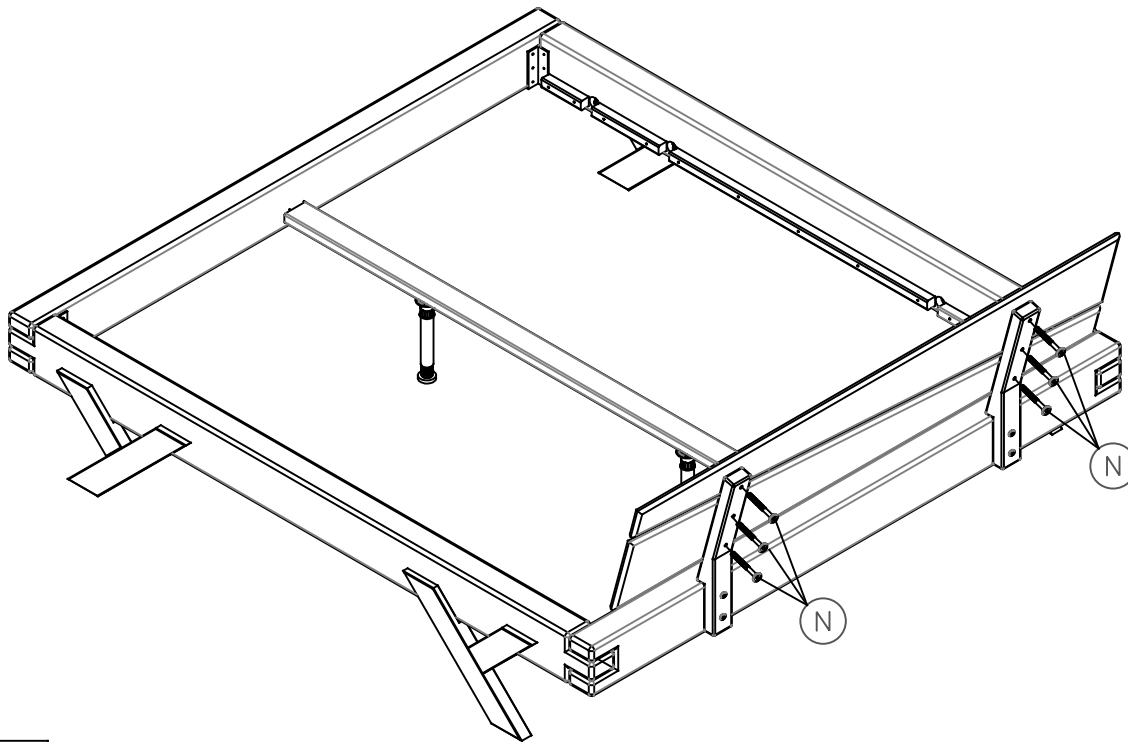


M6x60

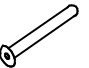


Mx4

6.



M6x55



Nx6