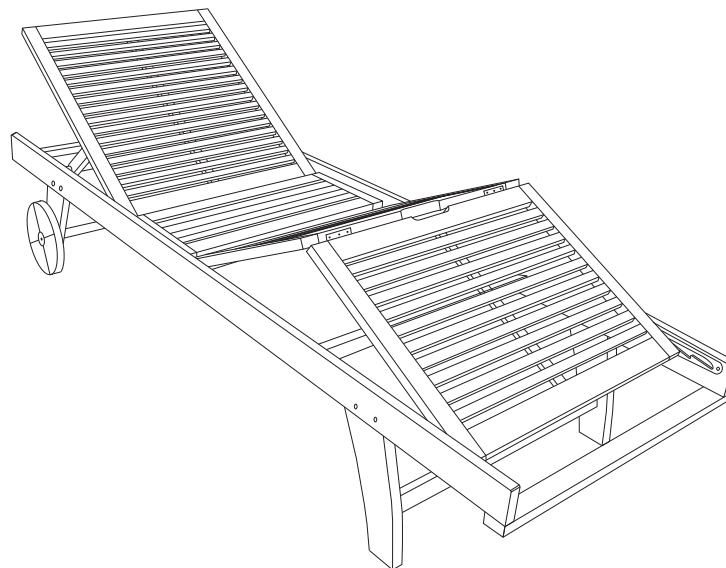
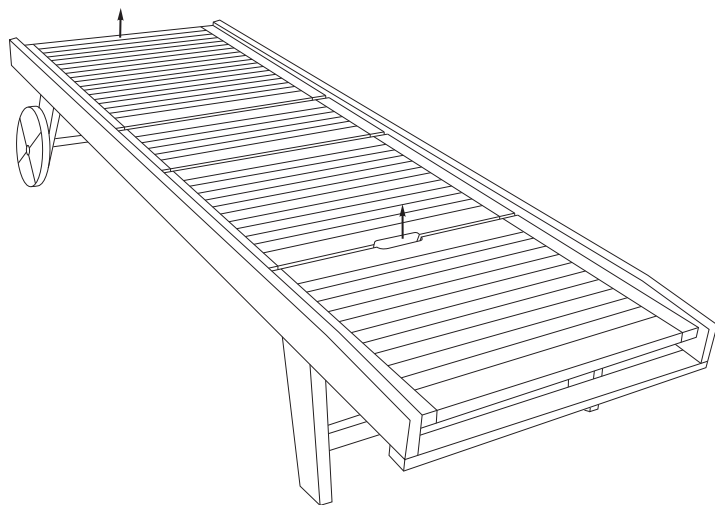


## Parts list

Part No.	Part Image	QTY
A		1
B		1
C		2
D		2
E		1
F		1
G		1
H		8
L		4
M		2
O		2
K		2
P		2

4



5

