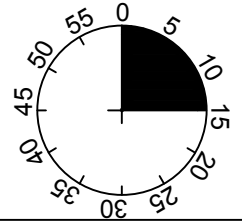
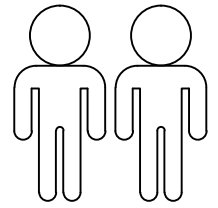
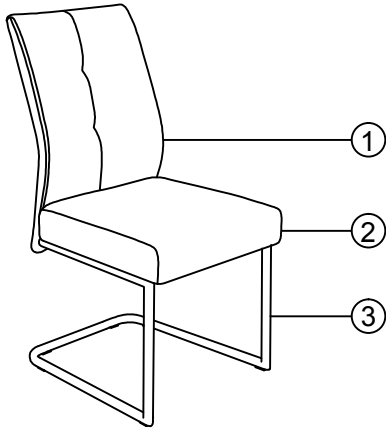


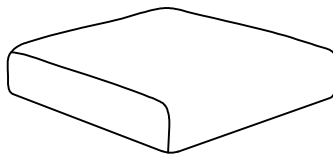
# Ragma



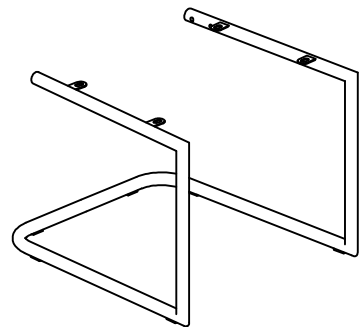
1



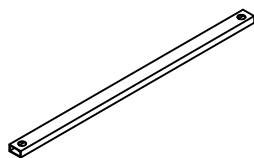
2



3

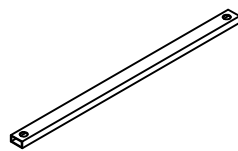


4

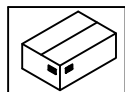


425mm

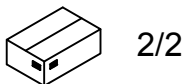
5



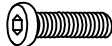





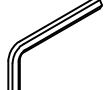
405mm



1	1x	1/2
2	1x	2/2
3	1x	2/2
4	1x	2/2
5	1x	2/2

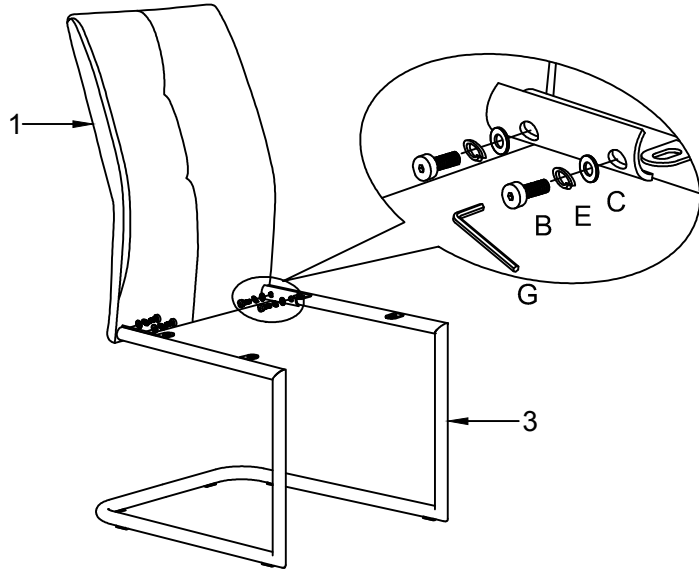


2/2

<p><b>A</b> M6X30                    4x</p>	<p><b>B</b> M8x20                    4x</p>	<p><b>C</b> Ø18xØ8x1.5                    4x</p>	<p><b>D</b> Ø18xØ6x1.5                    4x</p>	<p><b>E</b> M8                    4x</p>	<p><b>F</b> 4MM                    1x</p>
<p><b>G</b> 6MM                    1x</p>					

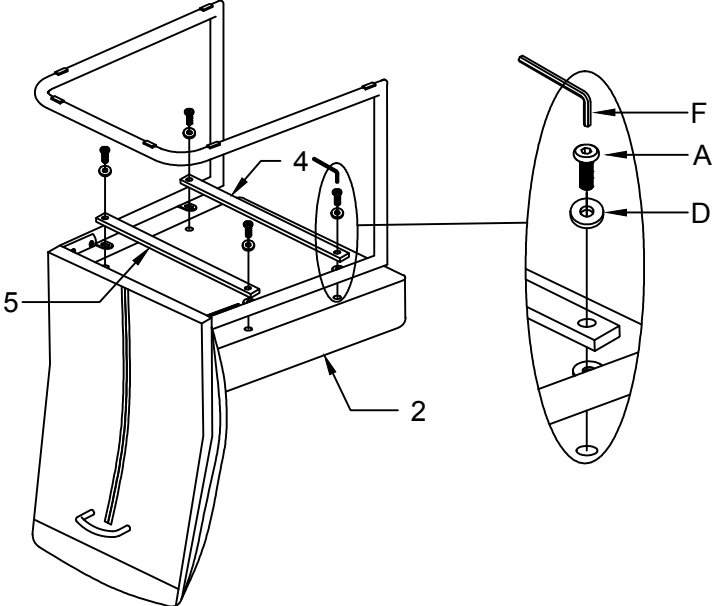
I.

1



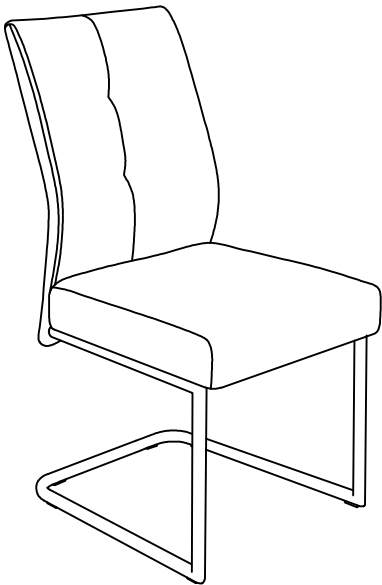
- B M8x20  
4x
- C  $\varnothing 18 \times \varnothing 8 \times 1.5$   
4x
- E M8  
4x
- G 6MM  
1x
- 75%

2



- A M6x30  
4x
- D  $\varnothing 18 \times \varnothing 6 \times 1.5$   
4x
- F 4MM  
1x
- 75%

3



- F 4MM  
1x
- G 6MM  
1x
- 100%

