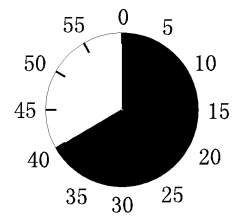
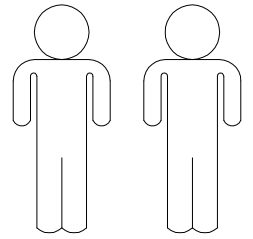
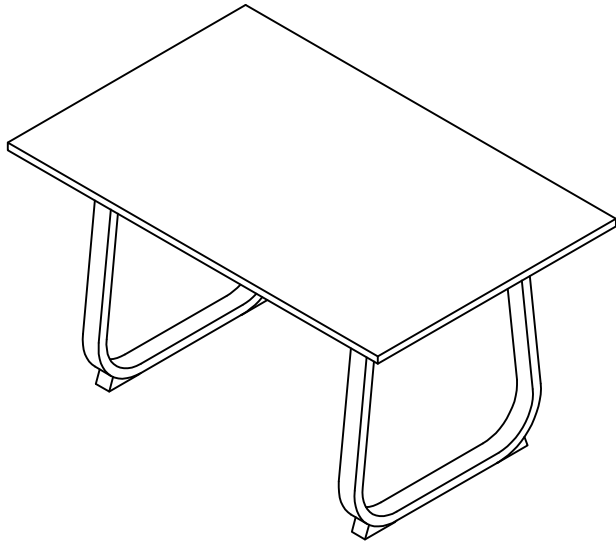


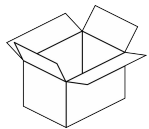
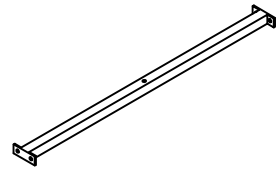
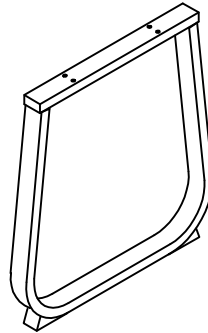
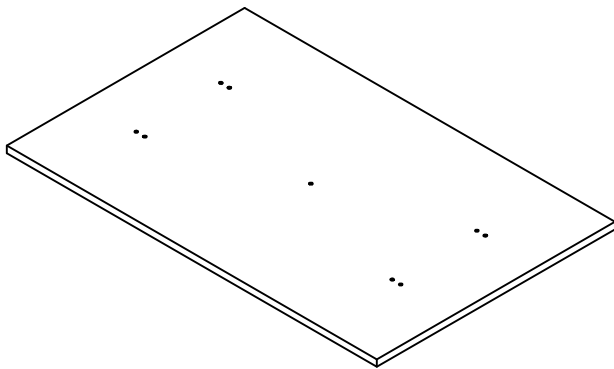
# Olga



1

2

3



2/2

1	1x	1/2
2	2x	2/2
3	1x	2/2

A

M6\*12



9X

B

M6\*40



9X

C

M6\*12



4X

D

Ø18\*Ø6\*1.5



9X

E

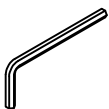
4mm



1X

F

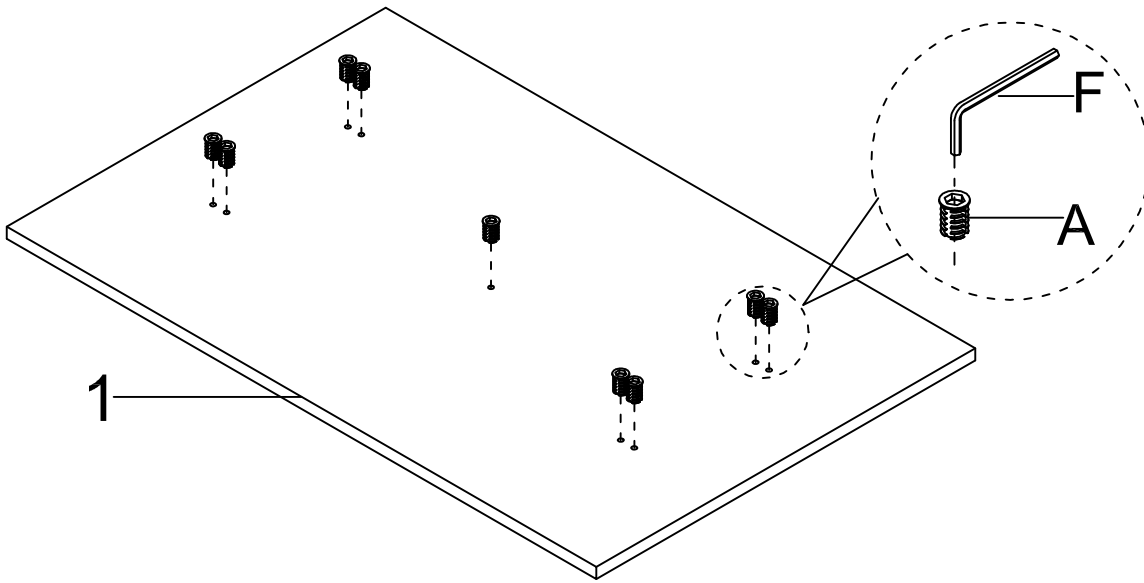
6mm



1X

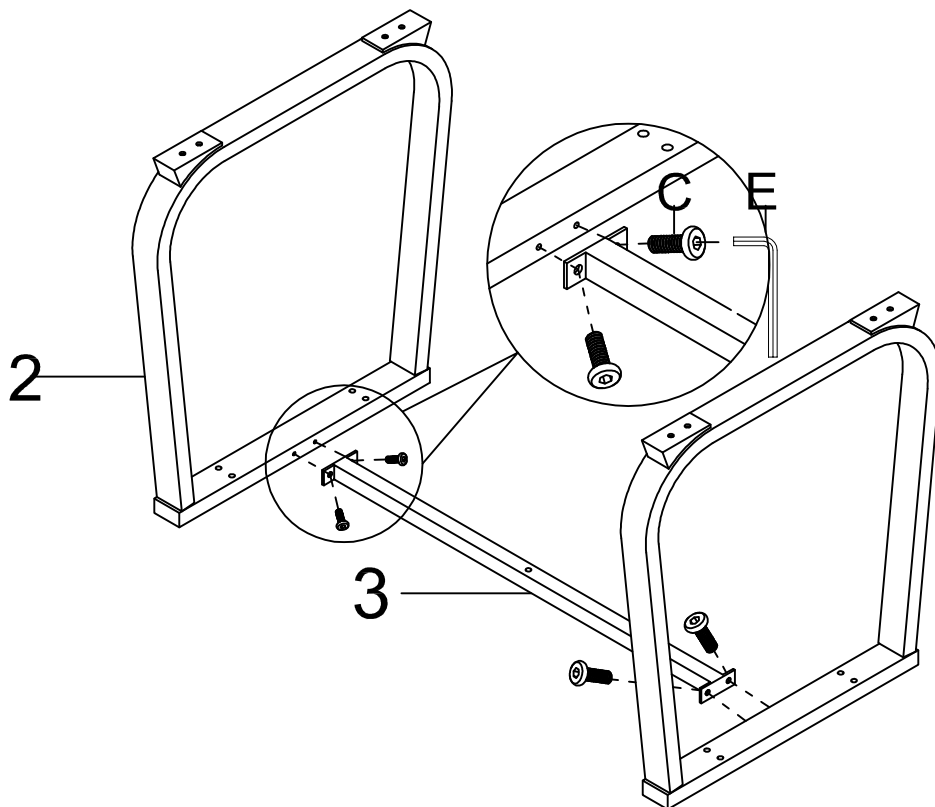
I.

1.



A	M6*12 9X
F	6mm 1X

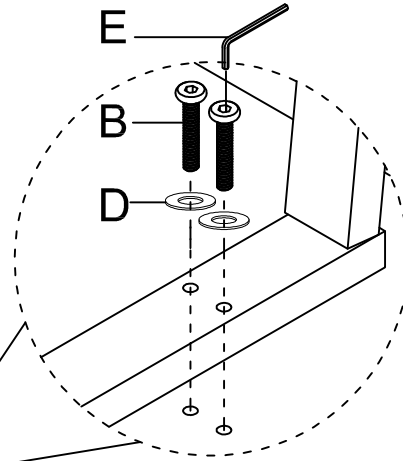
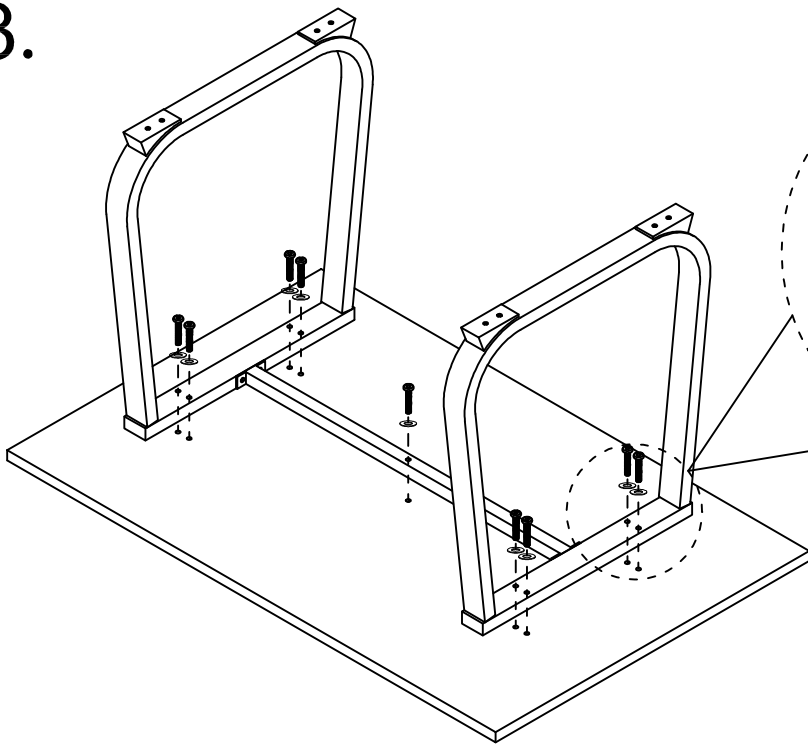
2.



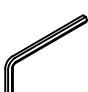



C	M6*12 4X
E	4mm 1X

11.

3.



B	M6*40  9X
D	Ø18*Ø6*1.5  9X
E	4mm  1X
	

4.

