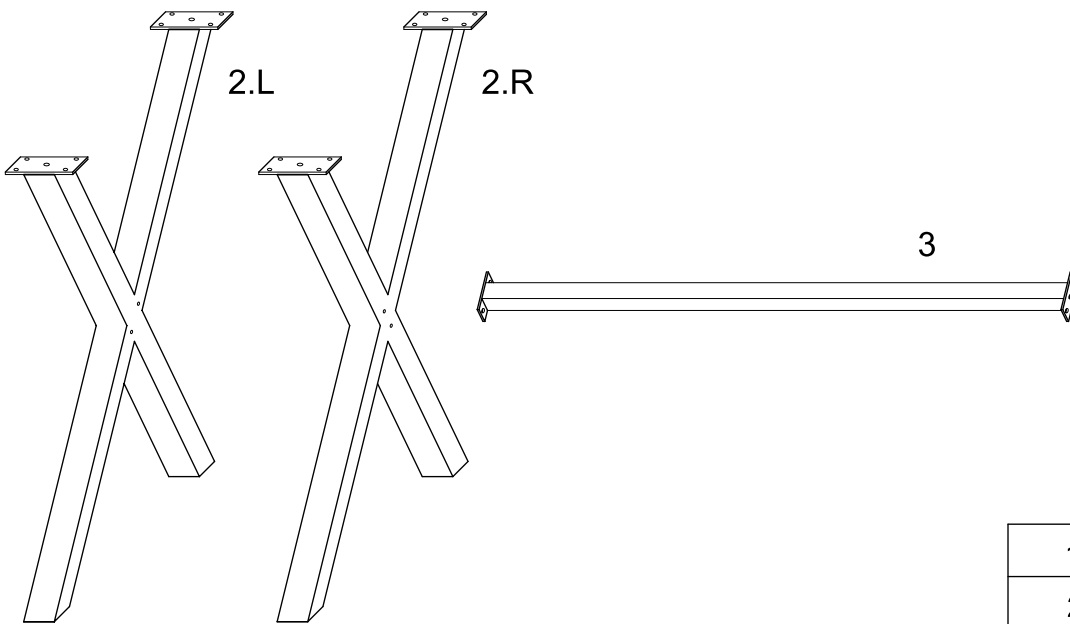
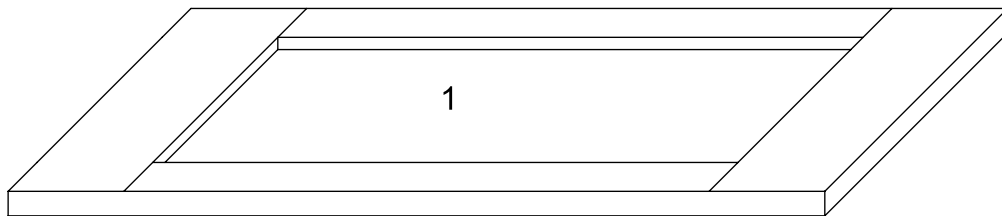
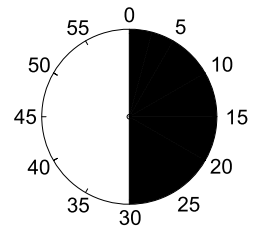
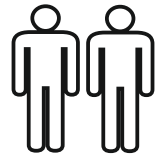
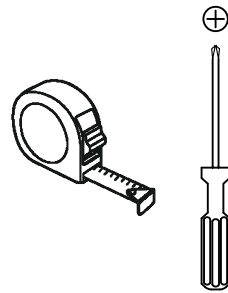
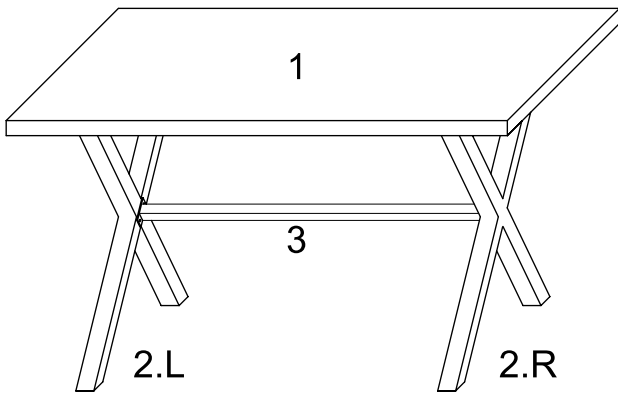
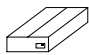
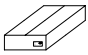
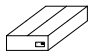
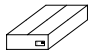
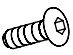


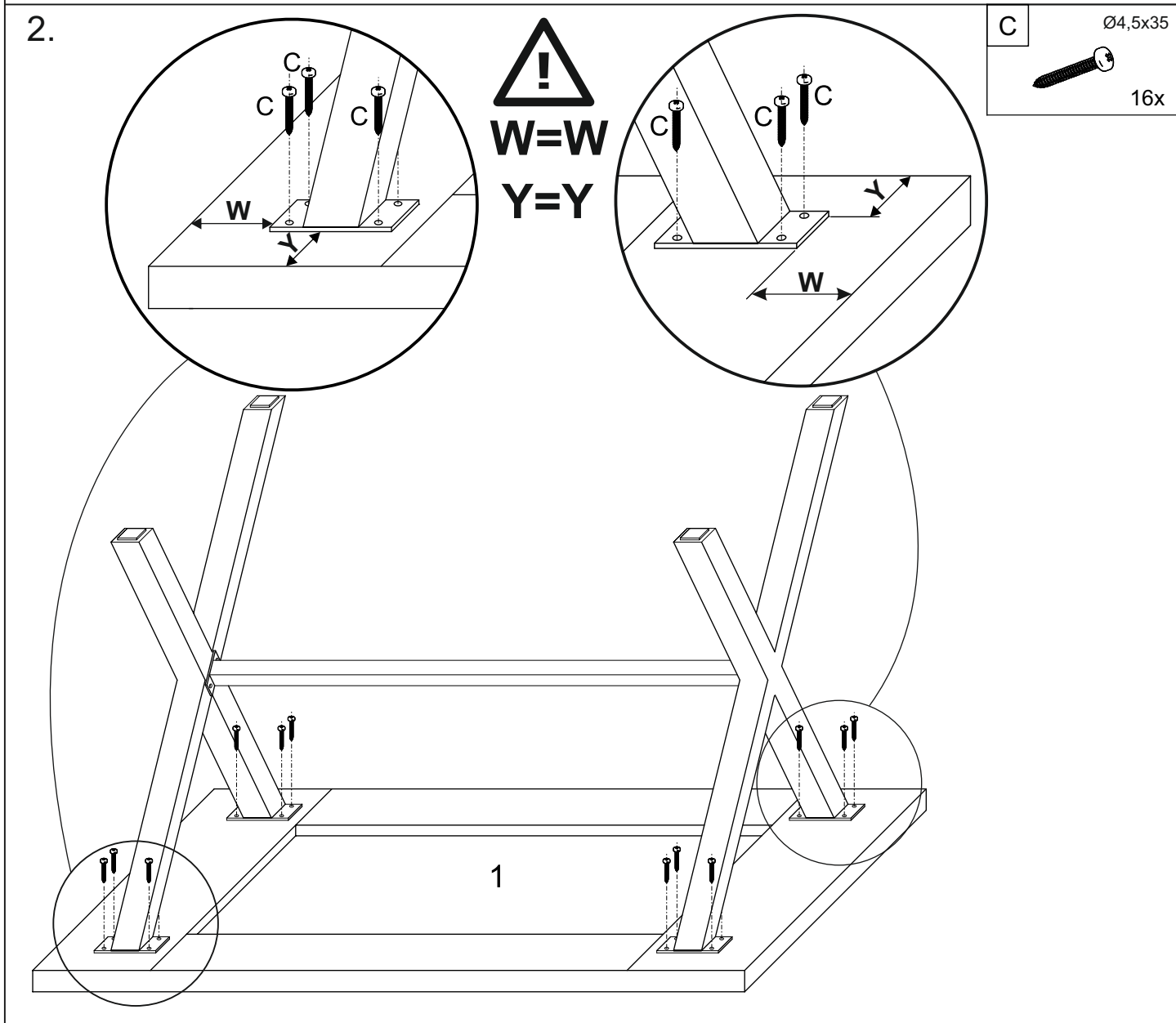
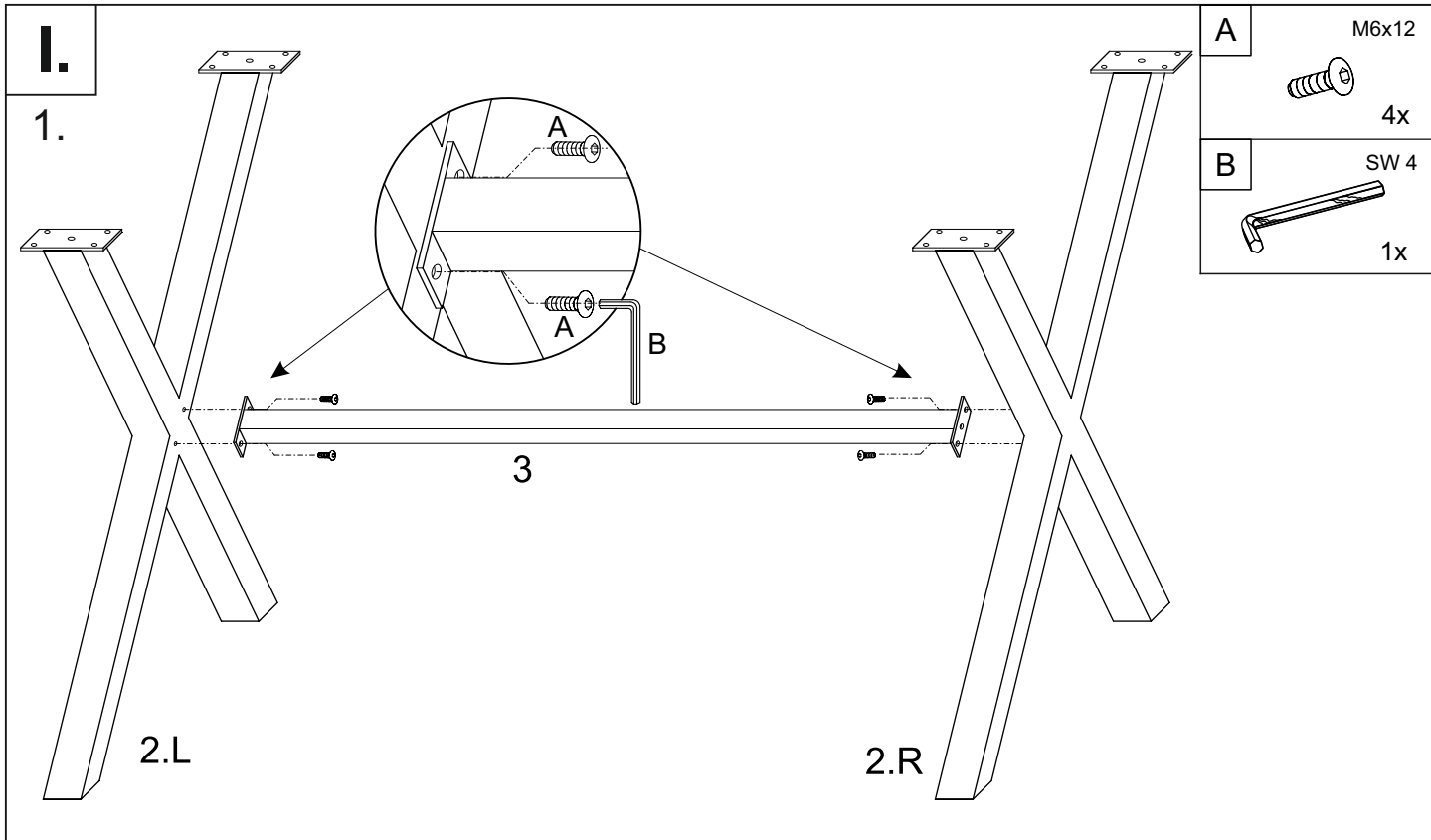


Penny



		
1	1 x	1/2
2.L	1 x	2/2
2.R	1 x	2/2
3	1 x	2/2

	2/2		2/2		1/2			
A	M6x12	B	SW 4	C	Ø4,5x35			
	4x		1x		16x			



II.

3.

