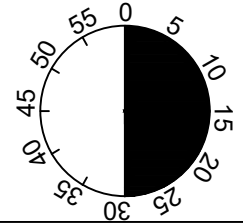
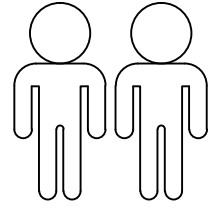
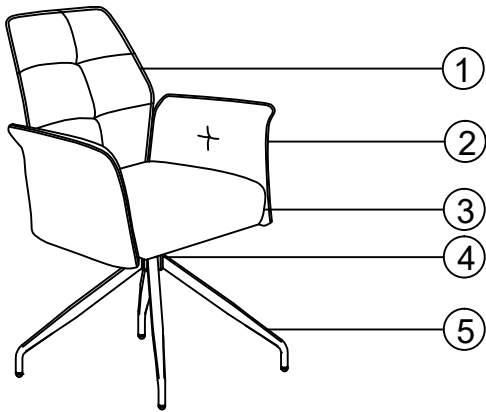


# Viktorija

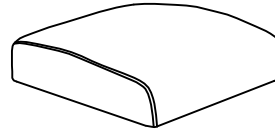
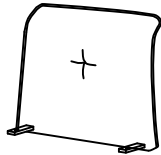
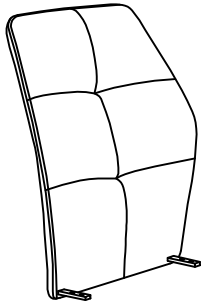


1

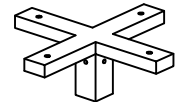
2

3

4

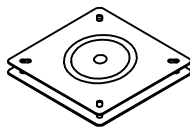
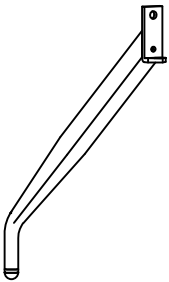


KP 120x120x60

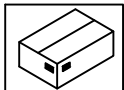


5

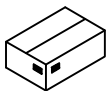
6



DT408



1	1x	1/2
2	2x	1/2
3	1x	1/2
4	1x	2/2
5	4x	2/2
6	1x	2/2

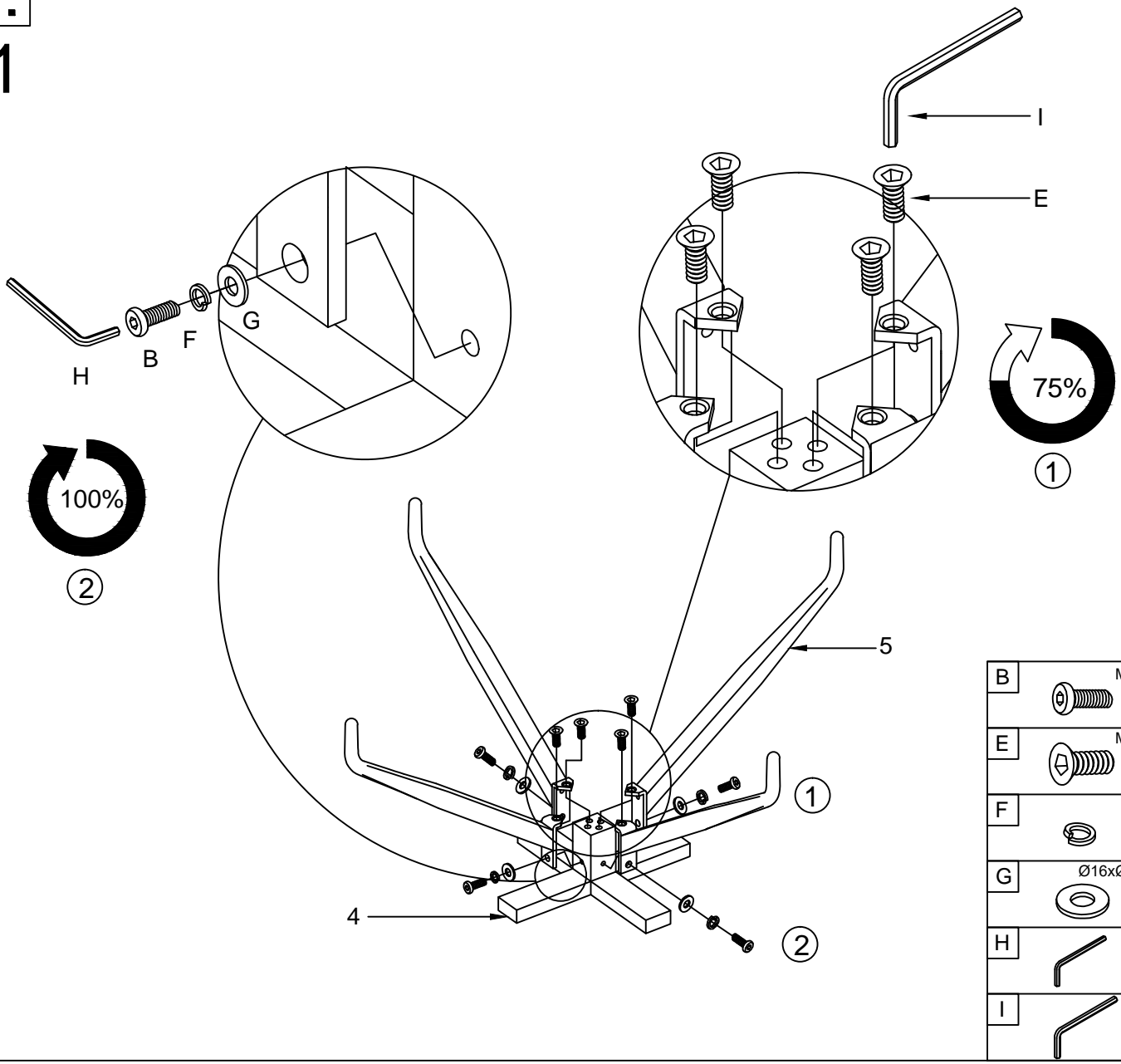


2/2

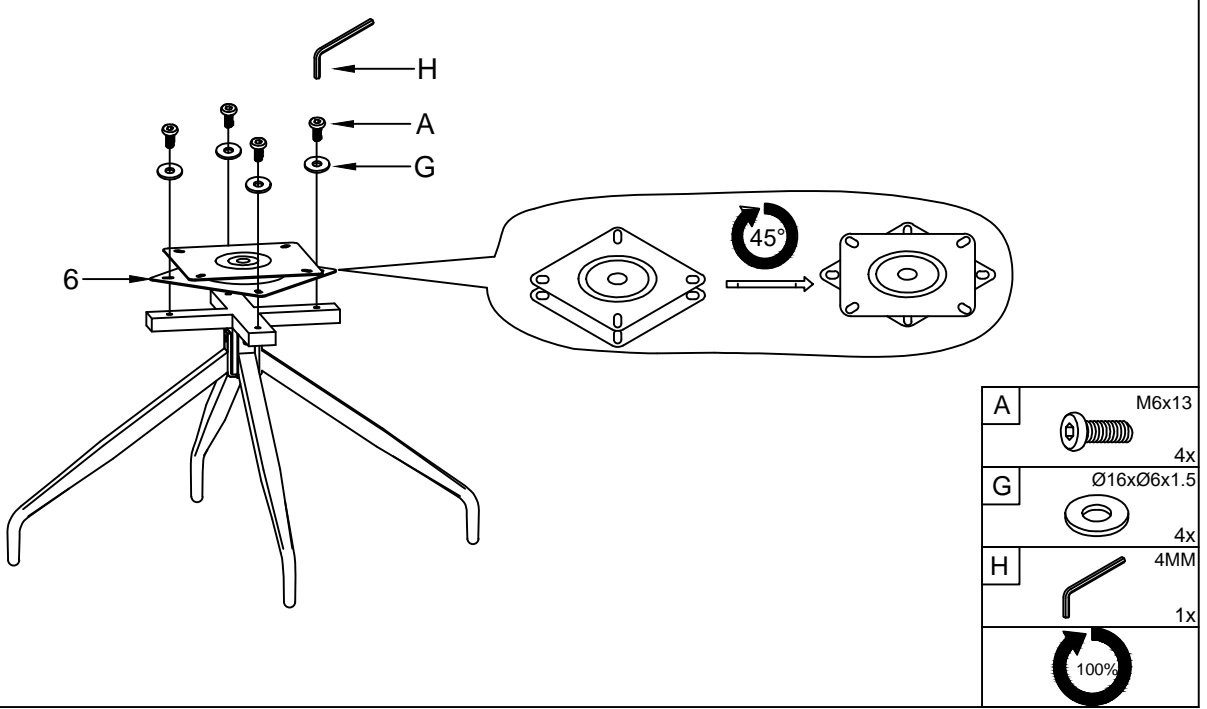
A	M6X13	B	M6X20	C	M6X25	D	M6X12	E	M8X16	F	M6
4x		8x		4x		4x		4x		8x	
G	Ø16xØ6x1.5	H	4MM	I	5MM	J	Ø17xØ6.5x4				
16x		1x		1x		2x					

I.

1

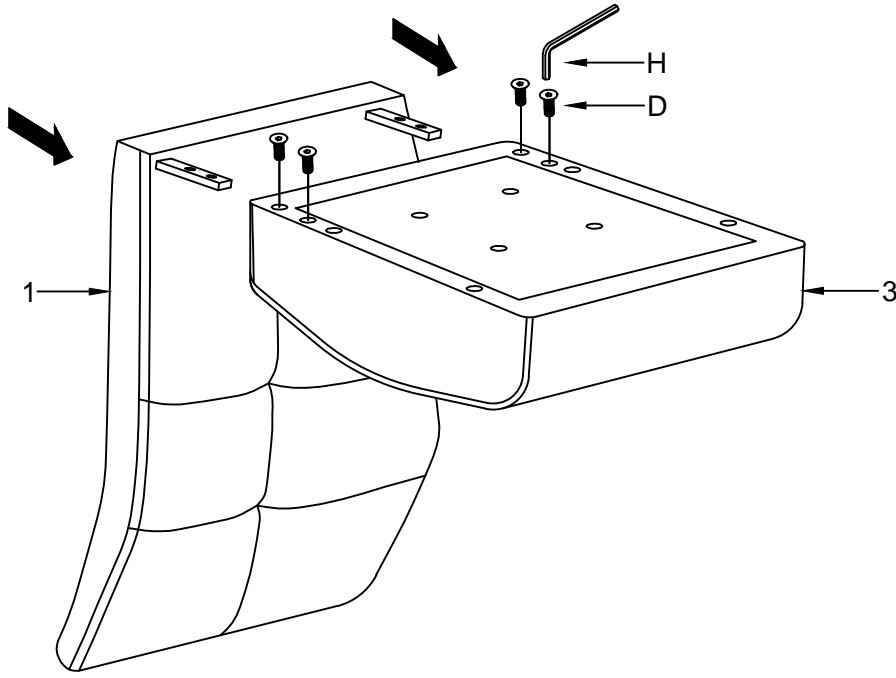


2



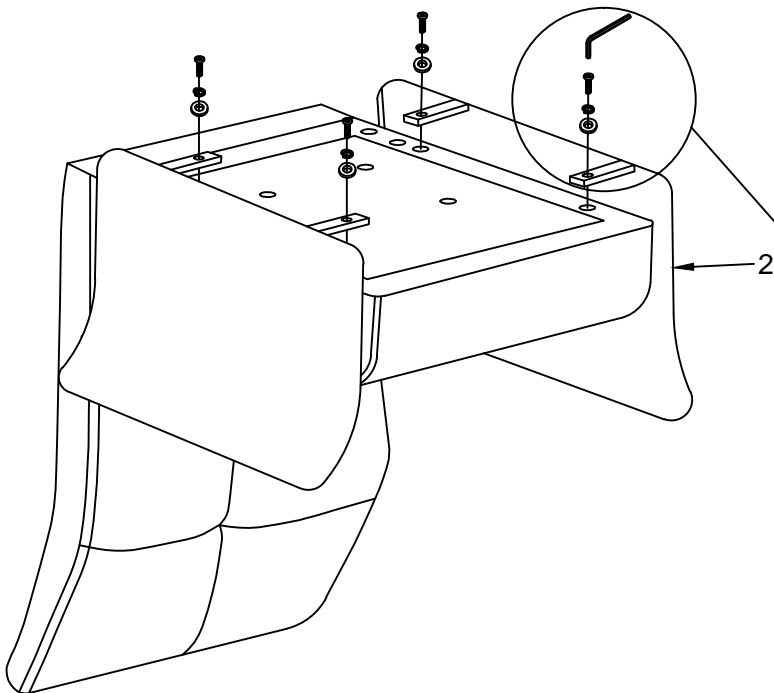
II.

3



D	M6x12
	4x
H	4MM
	1x

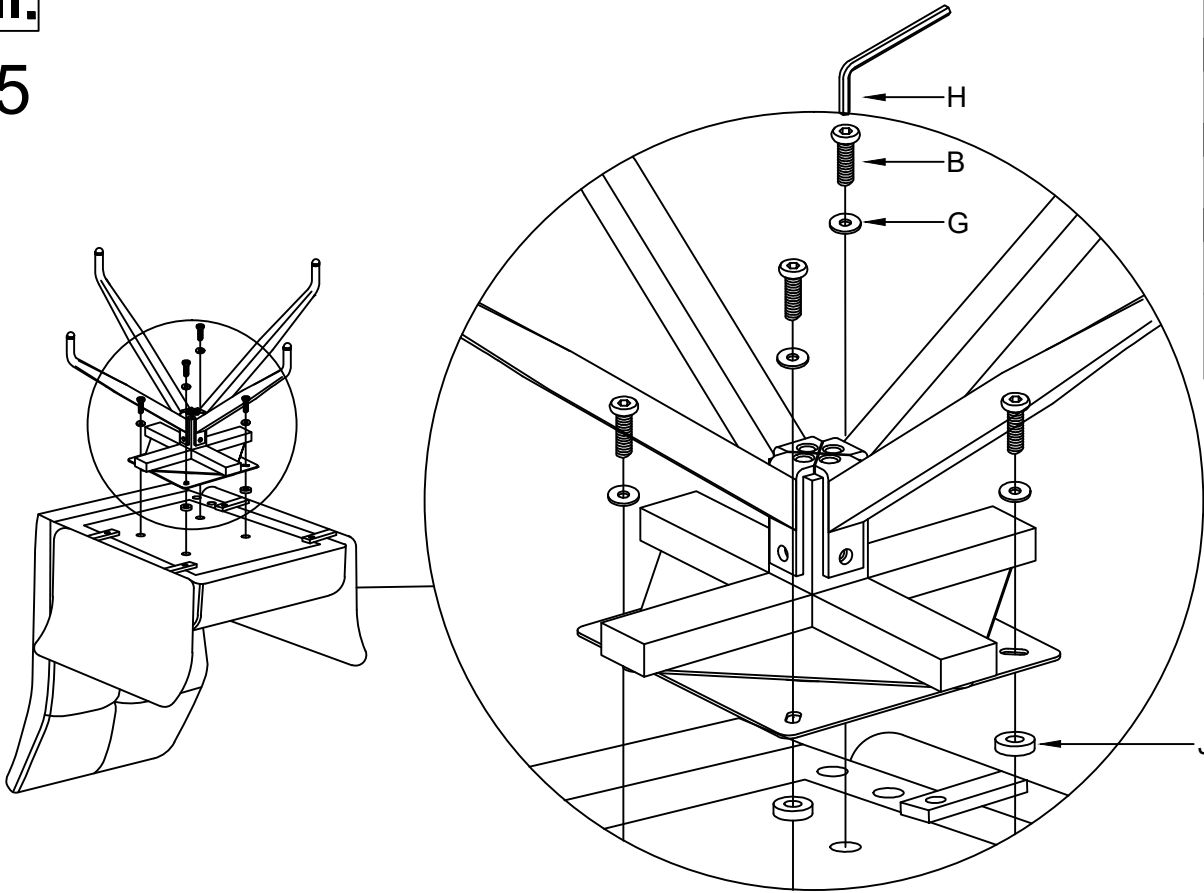
4



C	M6x25
	4x
F	M6
	4x
G	Ø16xØ6x1.5
	4x
H	4MM
	1x

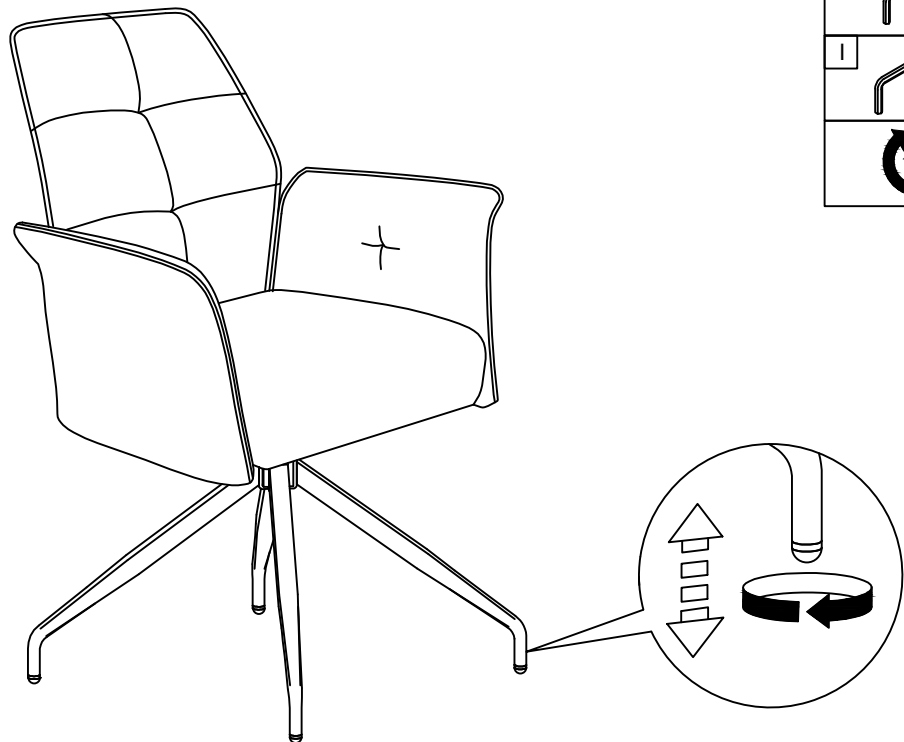
III.

5



B	M6x20
	4x
G	Ø16xØ6x1.5
	4x
H	4MM
	1x
J	Ø17xØ6.5x4
	2x

6



H	4MM
	1x
I	5MM
	1x

