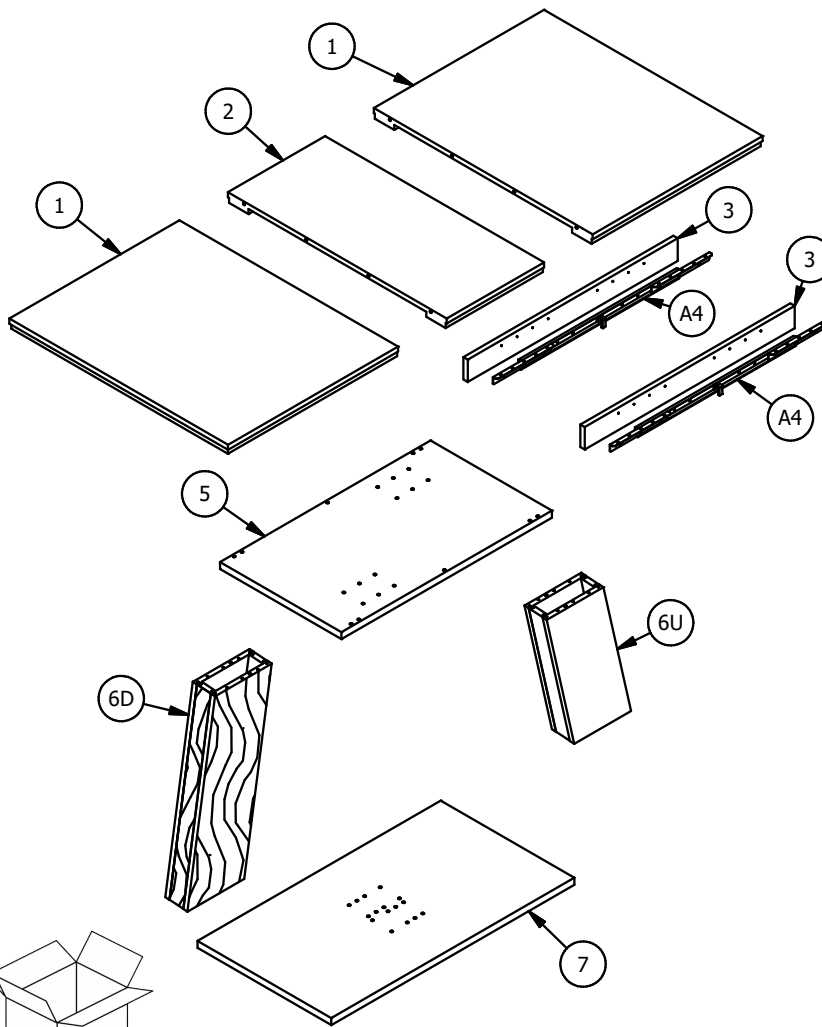
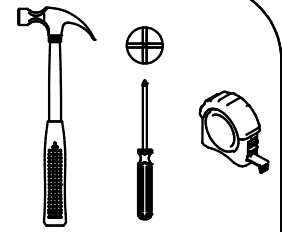
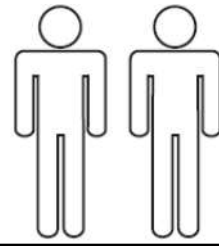
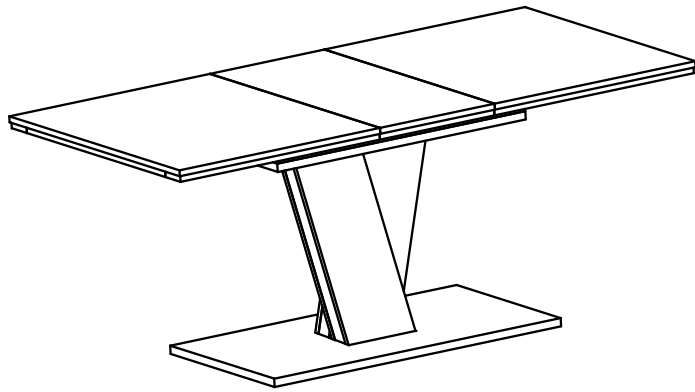
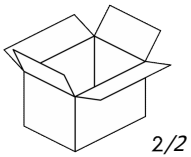

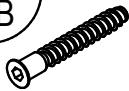

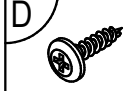

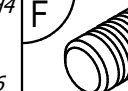

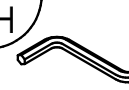





LICY

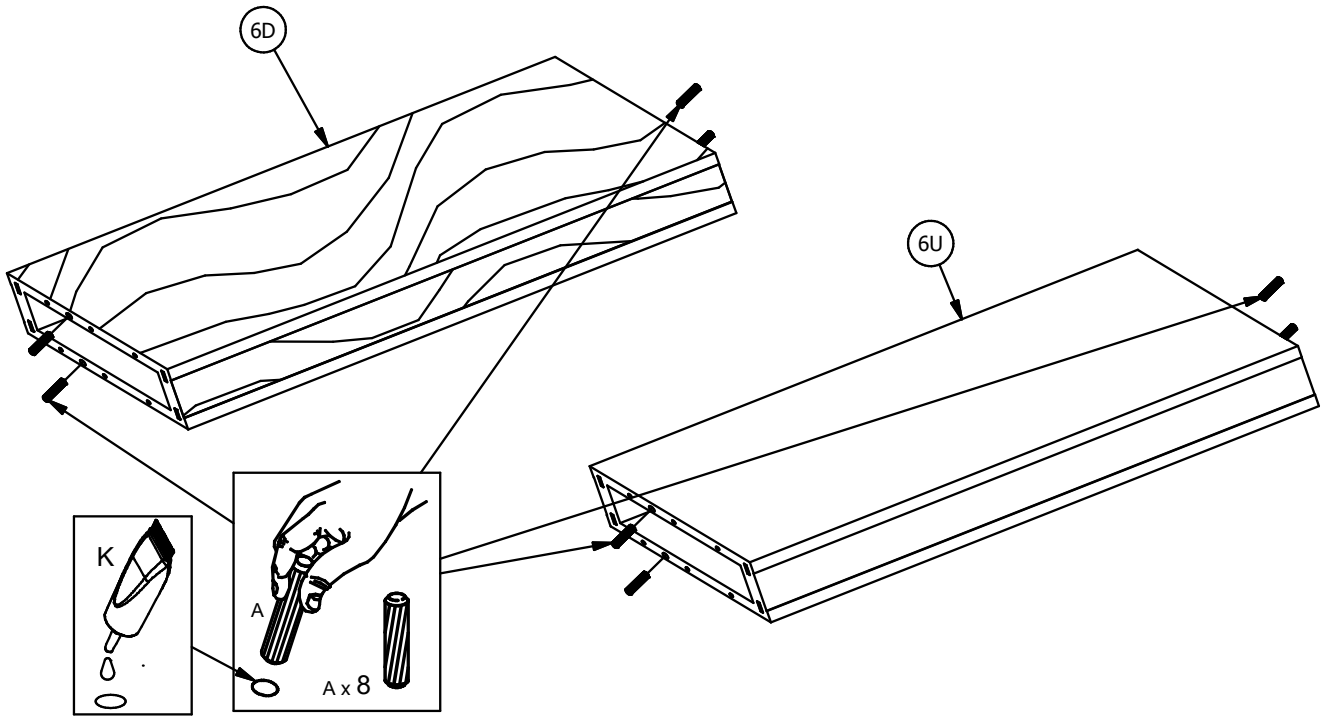
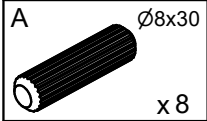


| | | | |
|---|----|----|-------------|
| 1 | 1 | x2 | 700x900x36 |
| 1 | 2 | x1 | 400x900x36 |
| 2 | 3 | x2 | 865x80x18 |
| 2 | 5 | x1 | 866x500x25 |
| 2 | 6D | x1 | 748x220x96 |
| 2 | 6U | x1 | 748x220x96 |
| 2 | 7 | x1 | 1000x550x25 |
| 2 | A4 | x2 | L-650 |

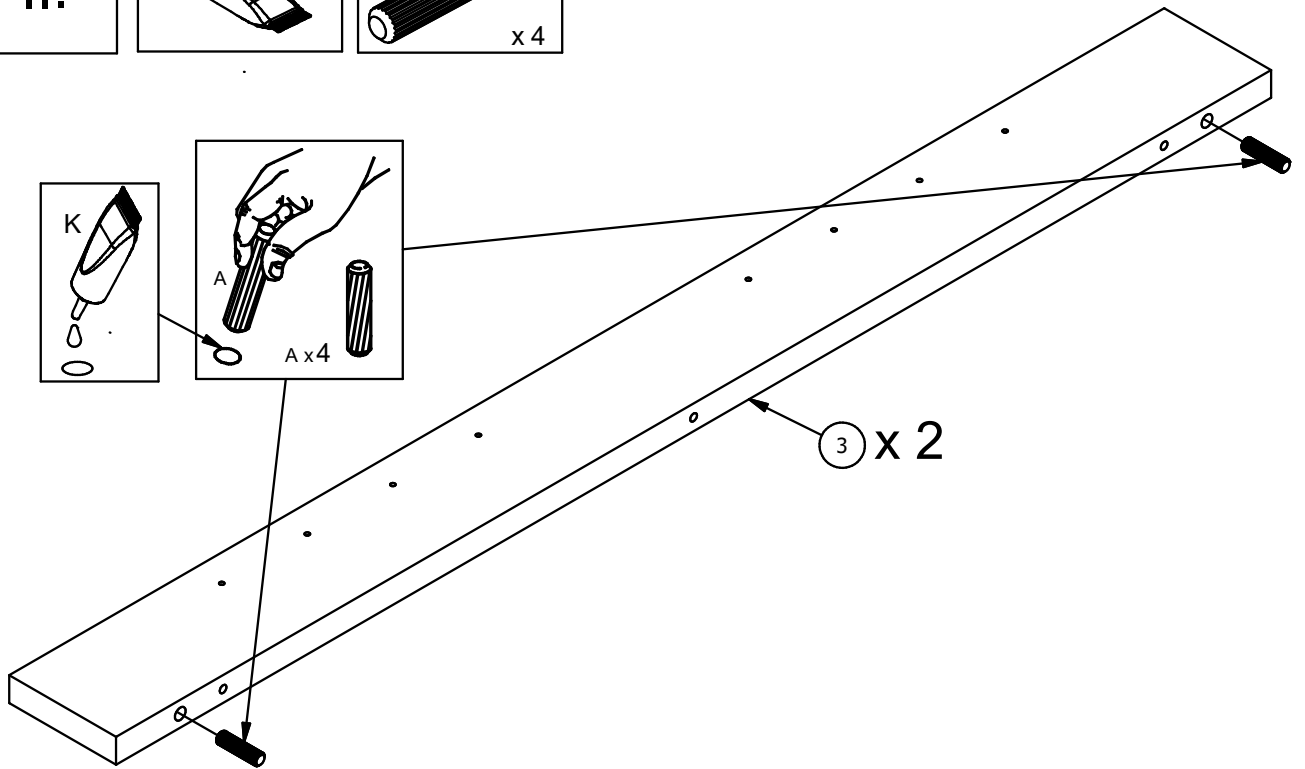
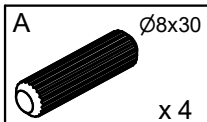
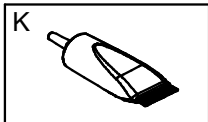


| | | | | | | | | | | | |
|---|--|---|--|---|--|---|--|---|--|---|--|
| A |  $\varnothing 8 \times 30$ x12 | B |  $\varnothing 7 \times 50$ x30 | C |  $\varnothing 3,5 \times 16$ x24 | D |  $\varnothing 3,5 \times 16$ x20 | E |  $\varnothing 16 \times H4$ x6 | F |  x8 |
| G |  x8 | H |  SW4 x1 | I |  $\varnothing 16 \times 3$ x16 | J |  x4 | K |  x1 | | |

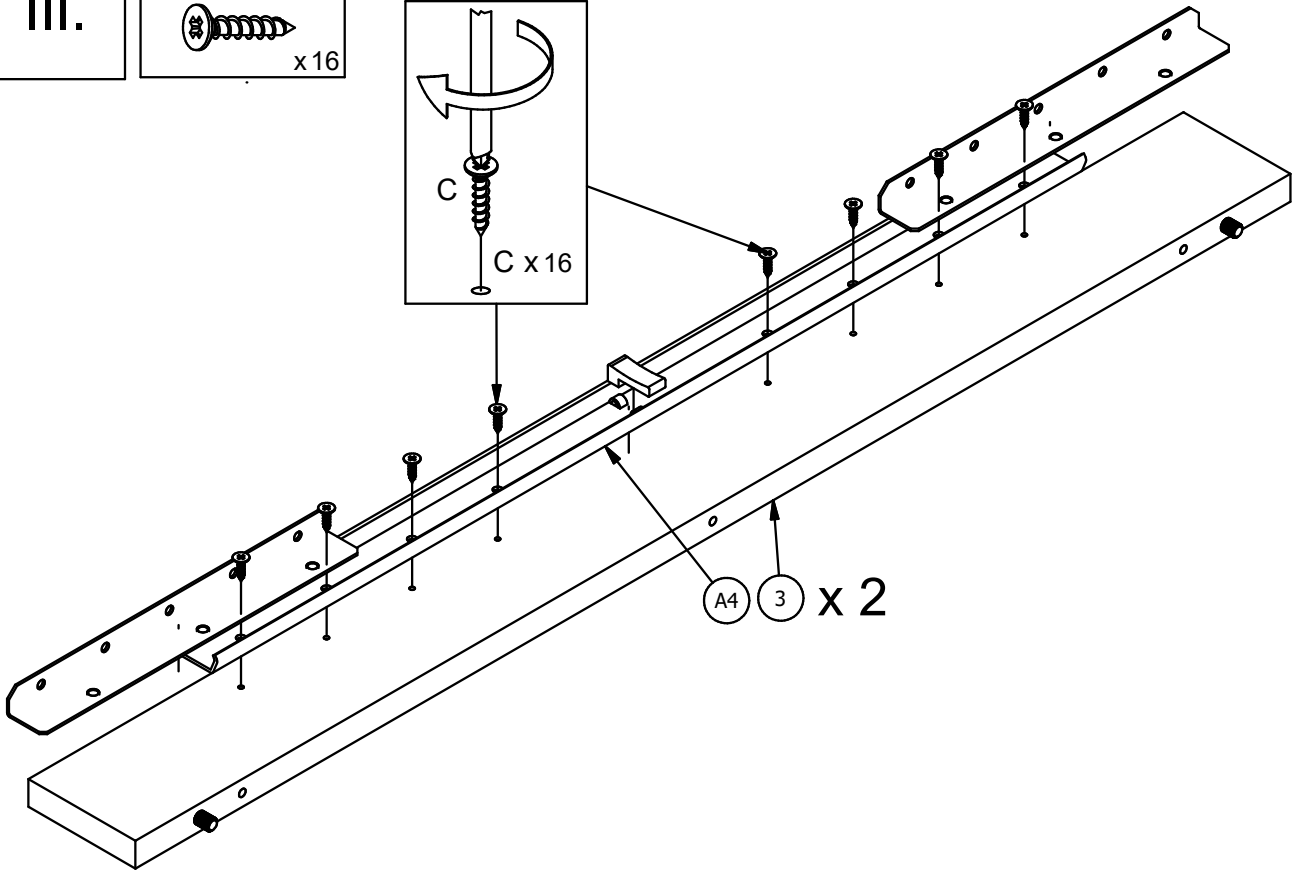
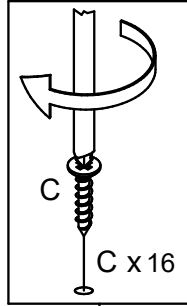
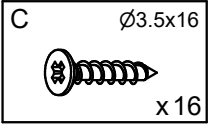
I.



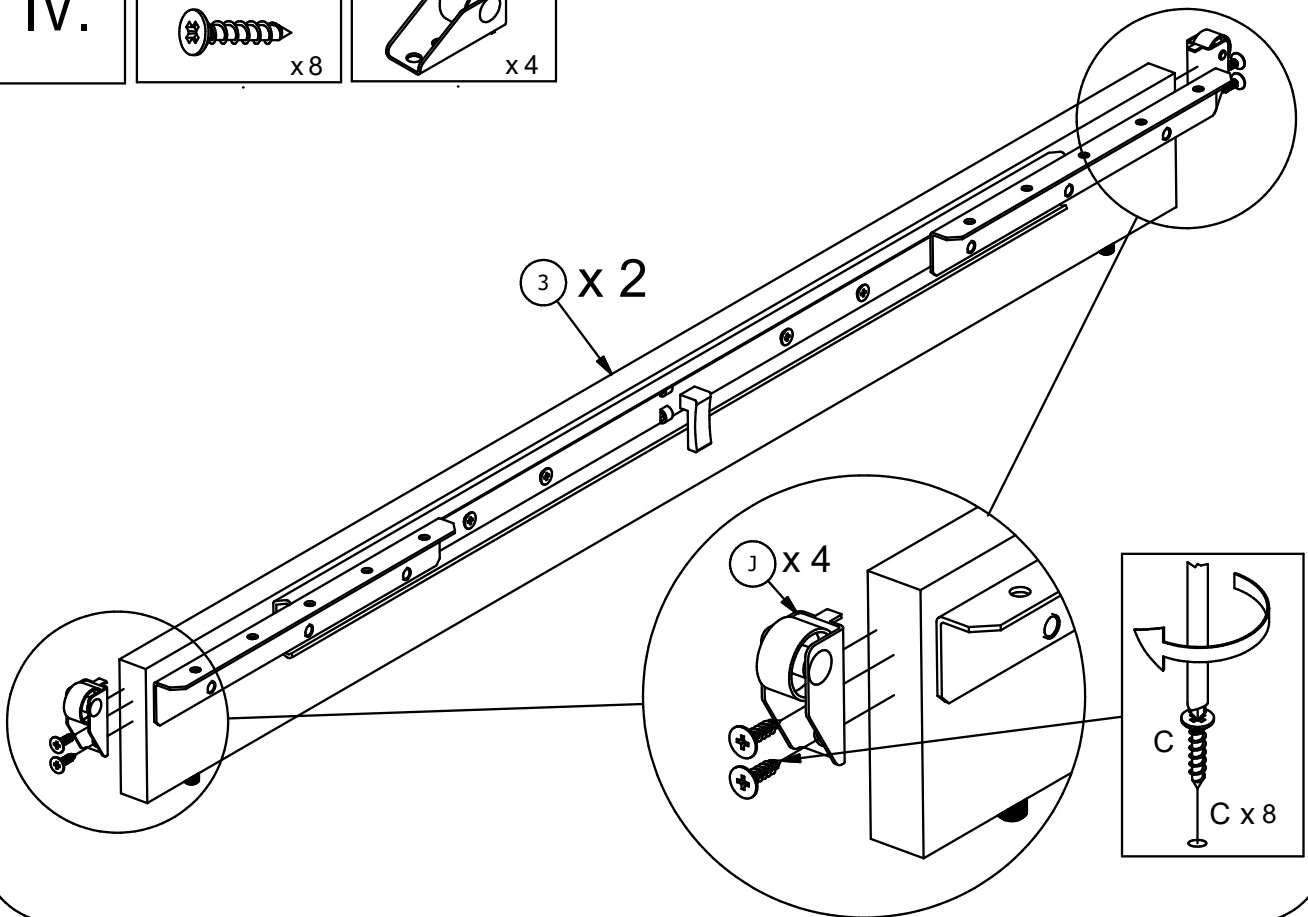
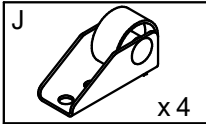
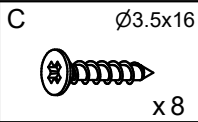
II.



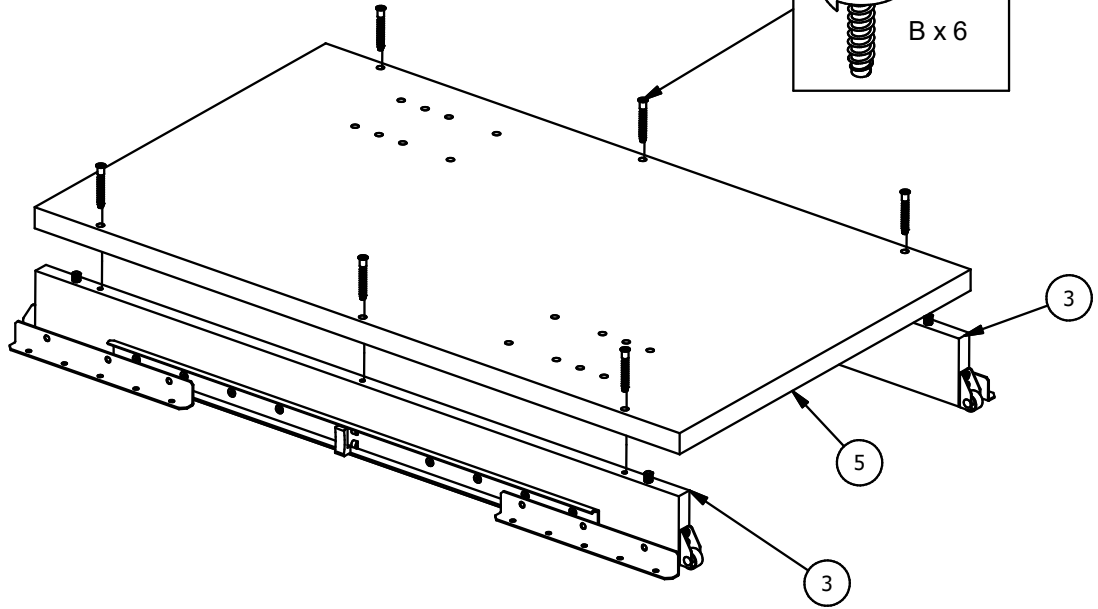
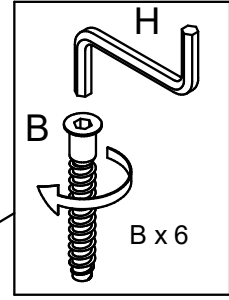
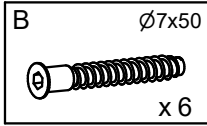
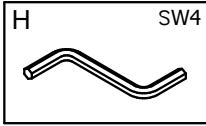
III.



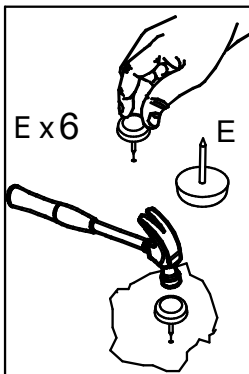
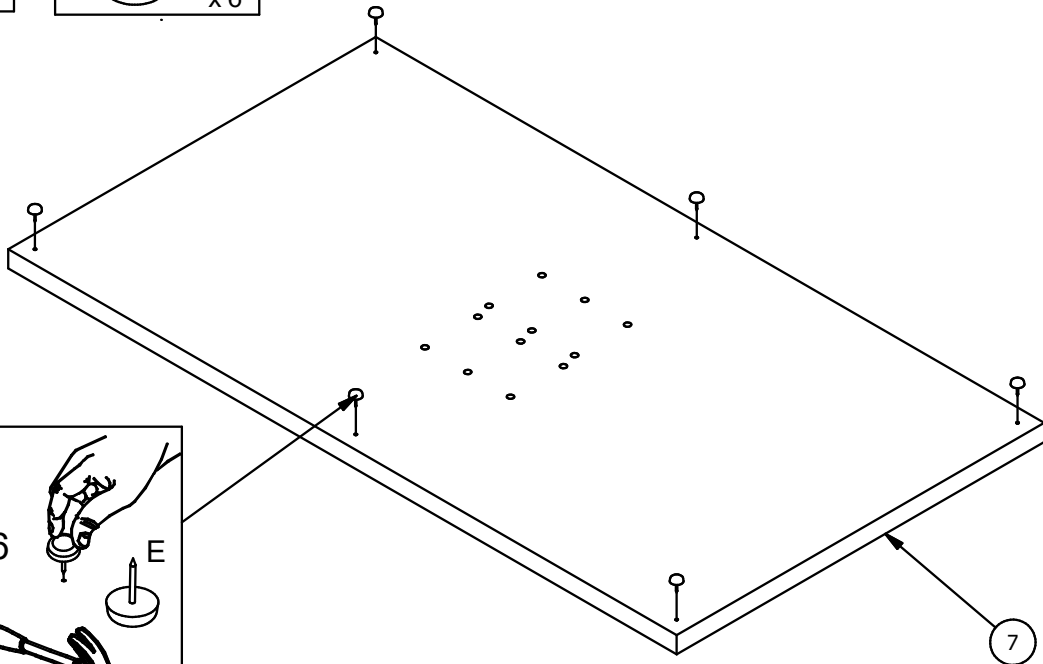
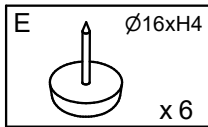
IV.



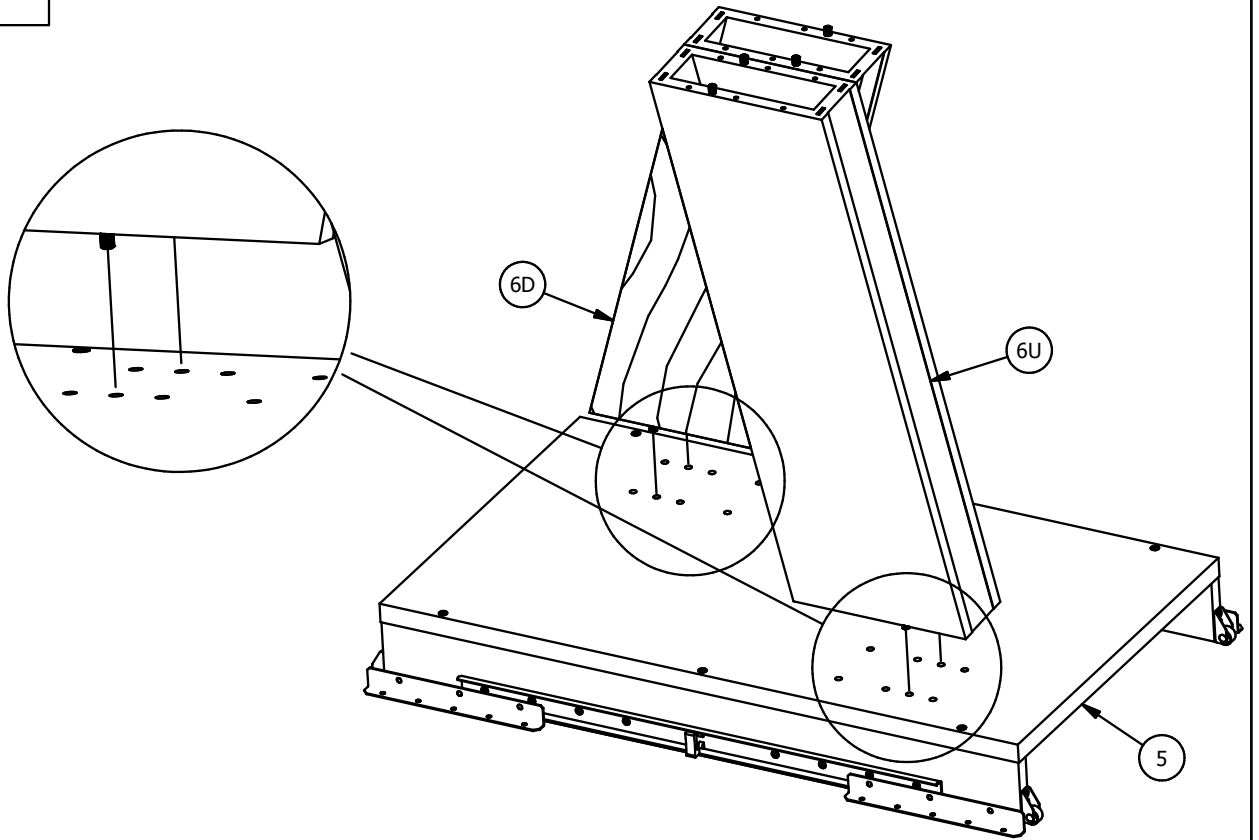
V.



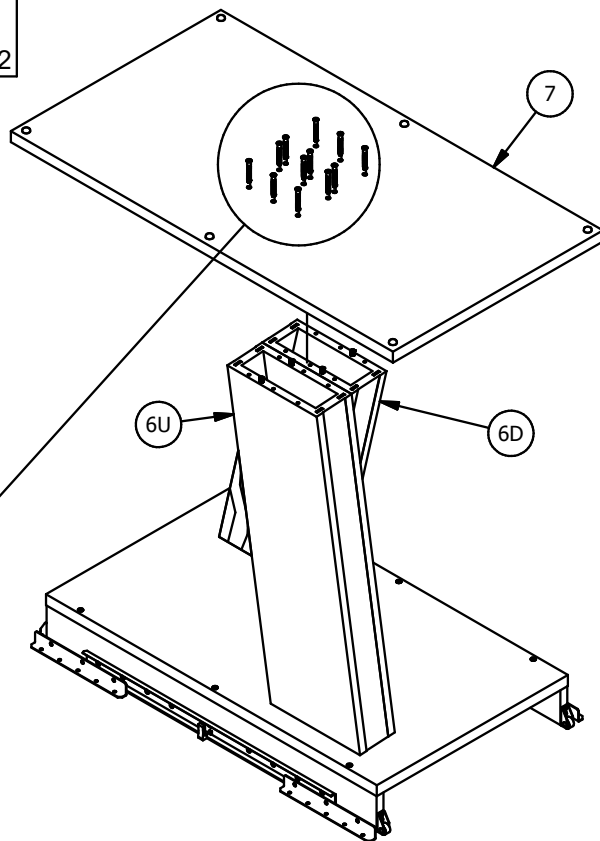
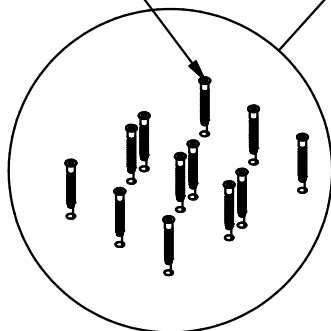
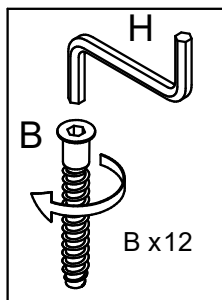
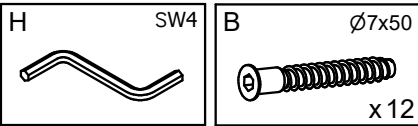
VI.



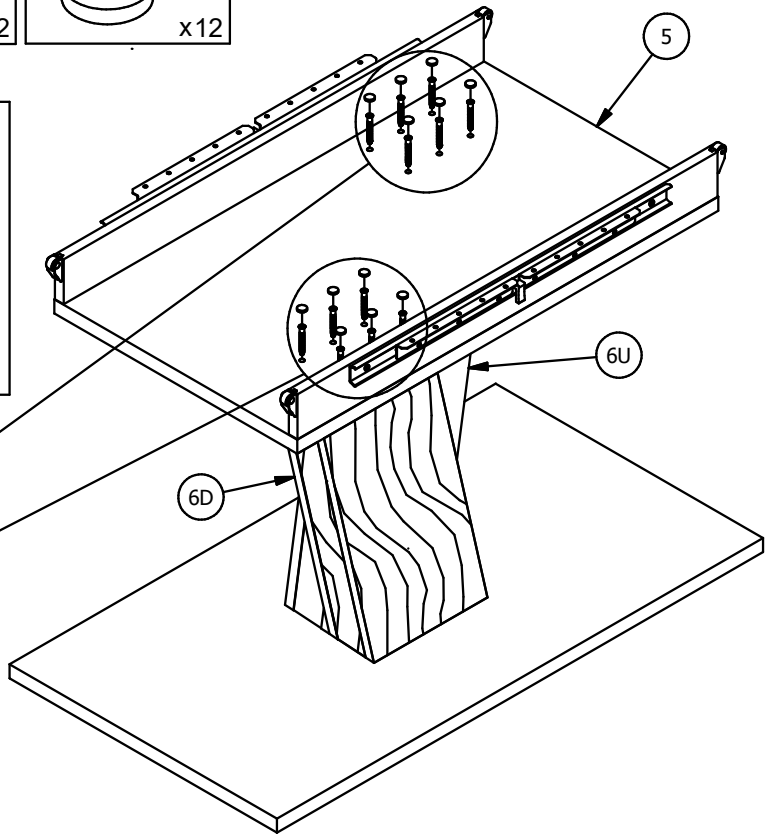
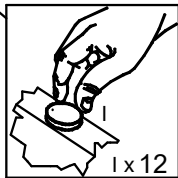
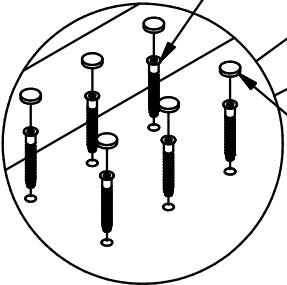
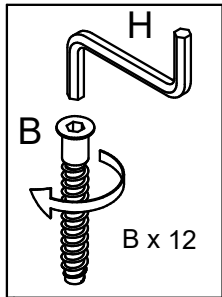
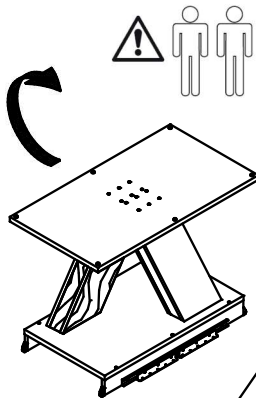
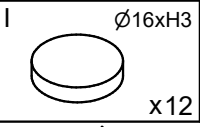
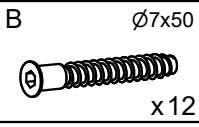
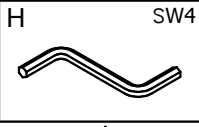
VII.



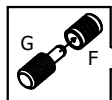
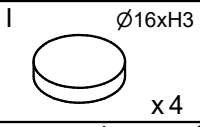
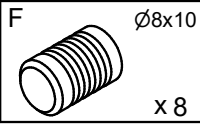
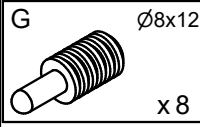
IIIX.



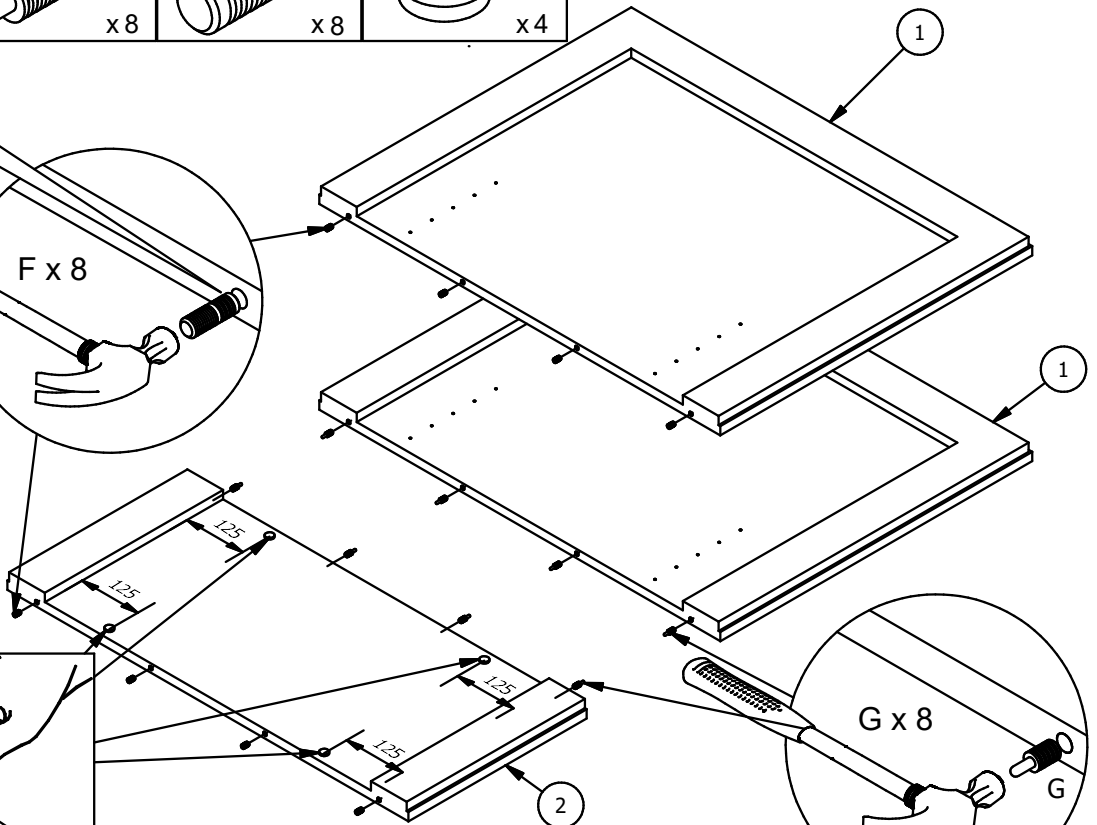
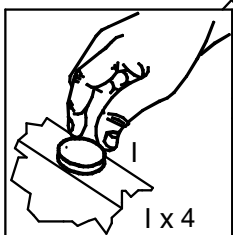
IX.



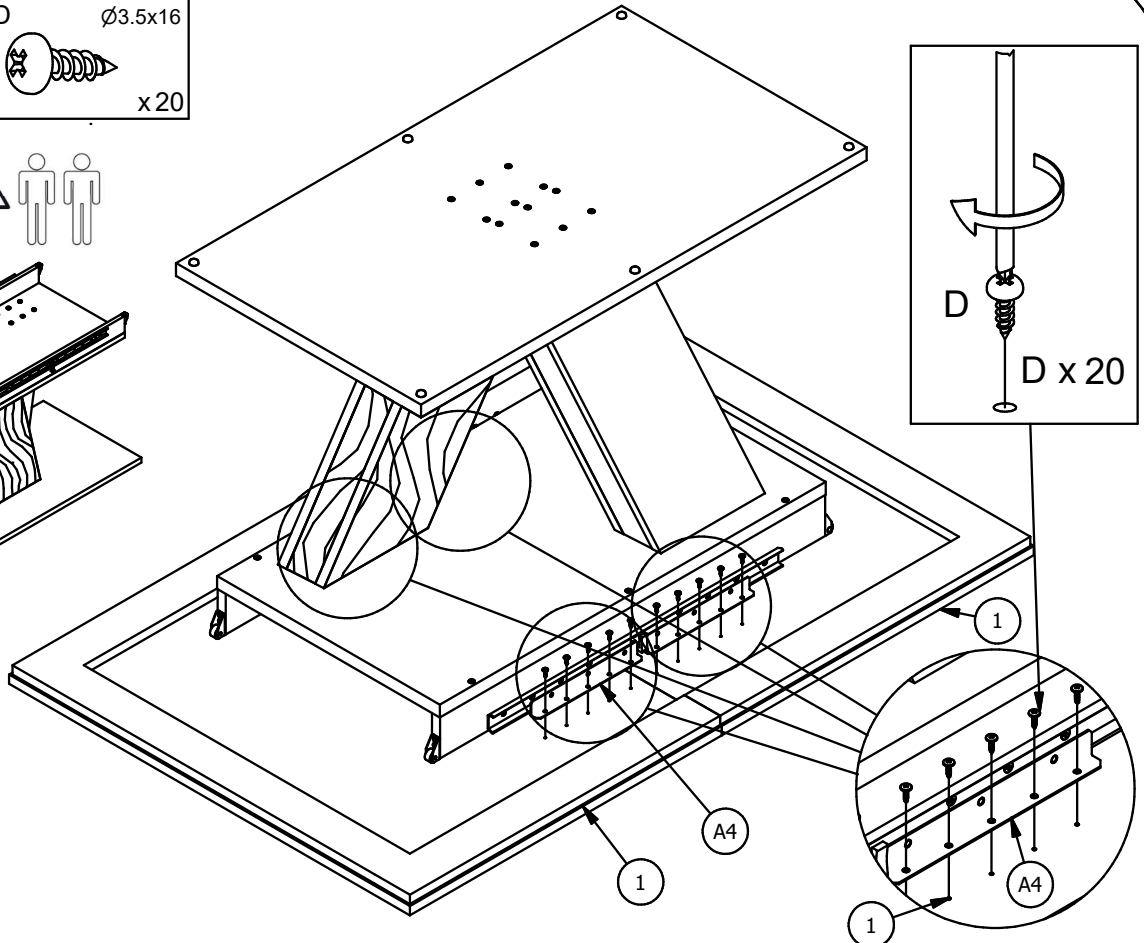
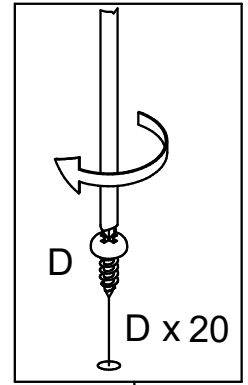
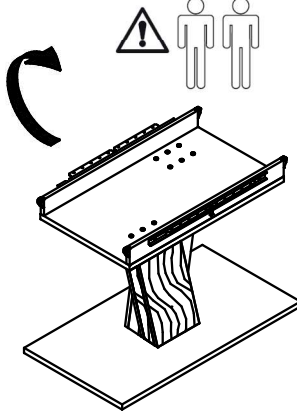
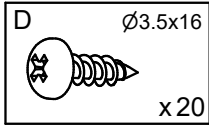
X.



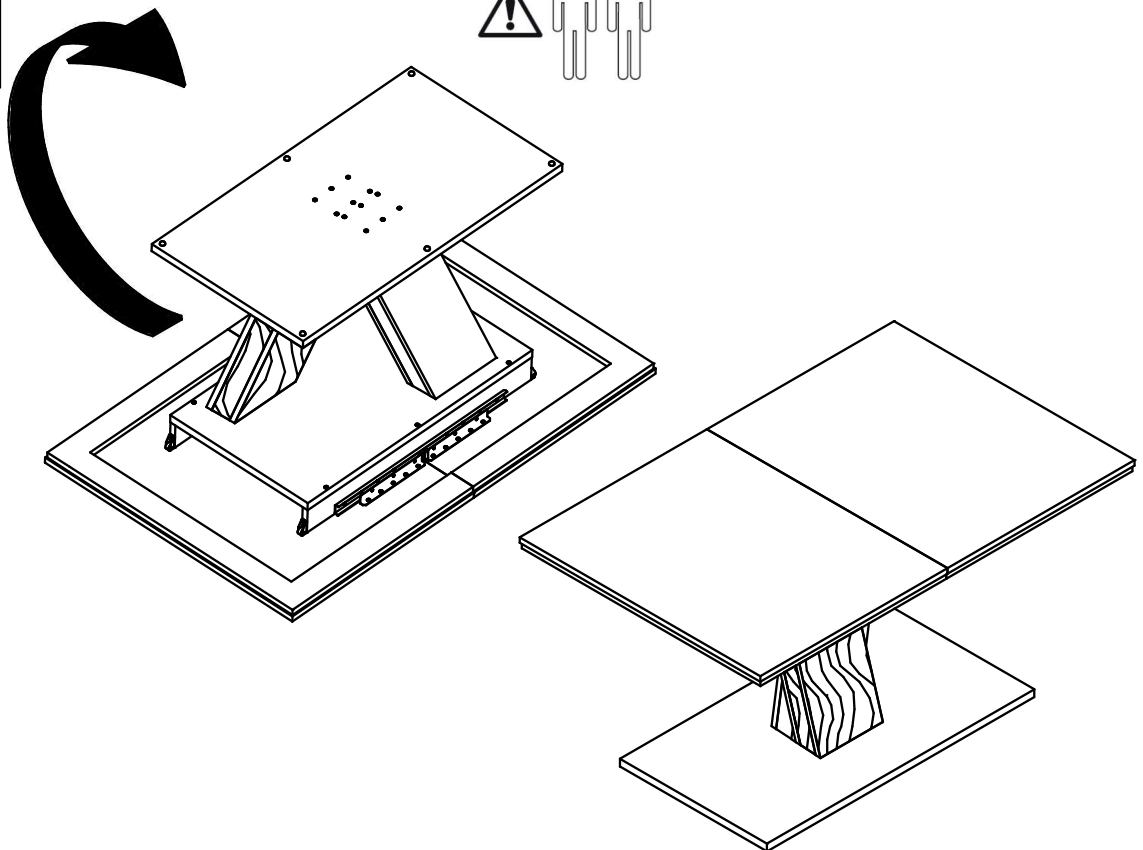
F x 8



XI.



XII.



XIII.

