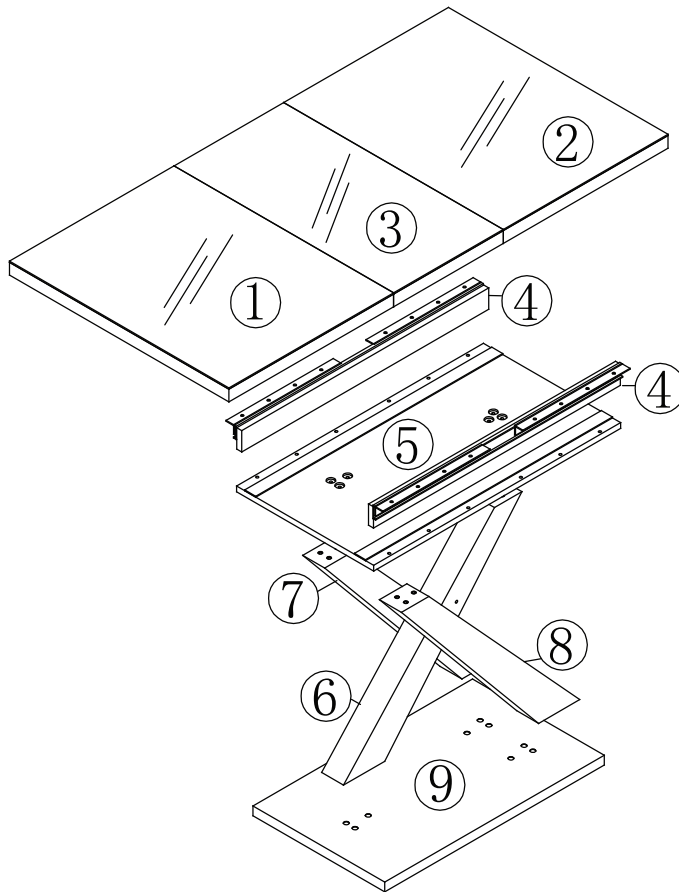
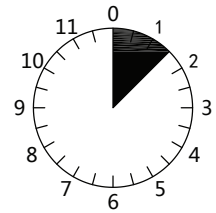
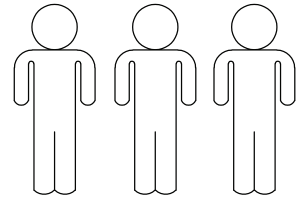
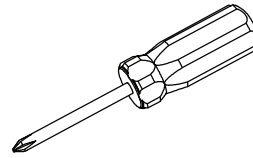
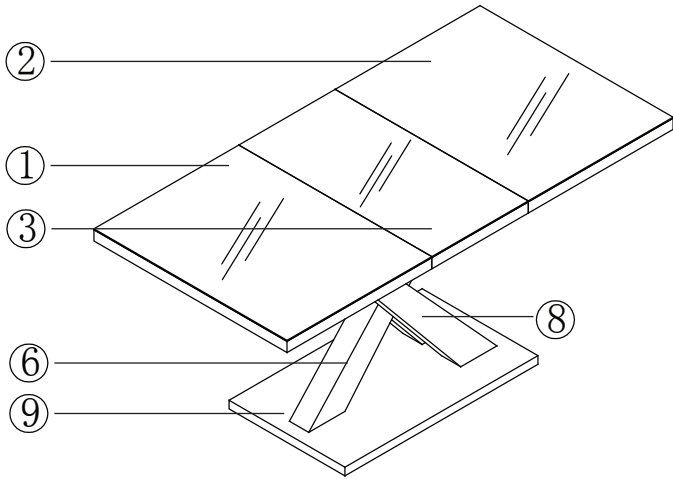
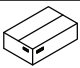
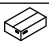


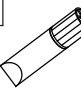

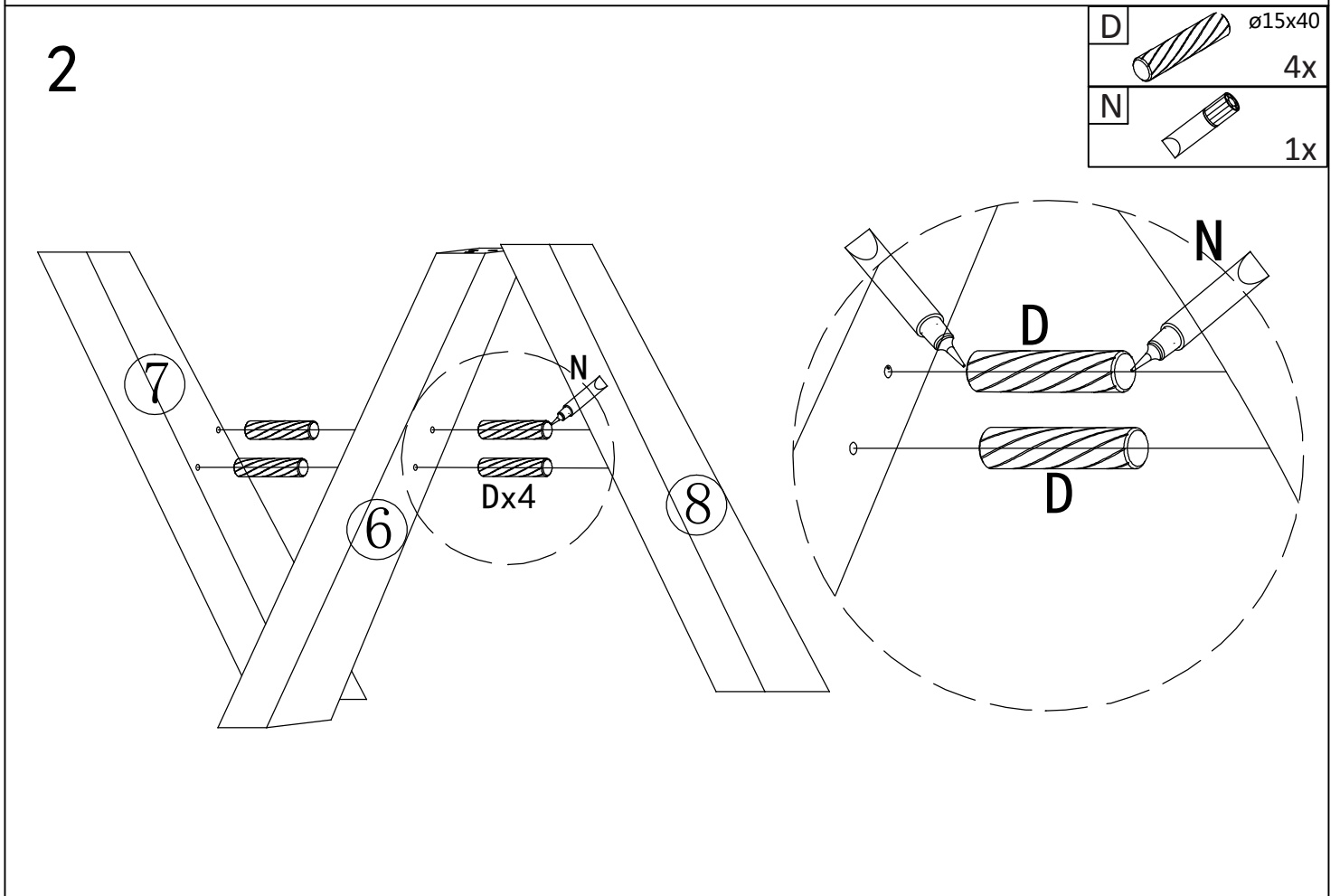
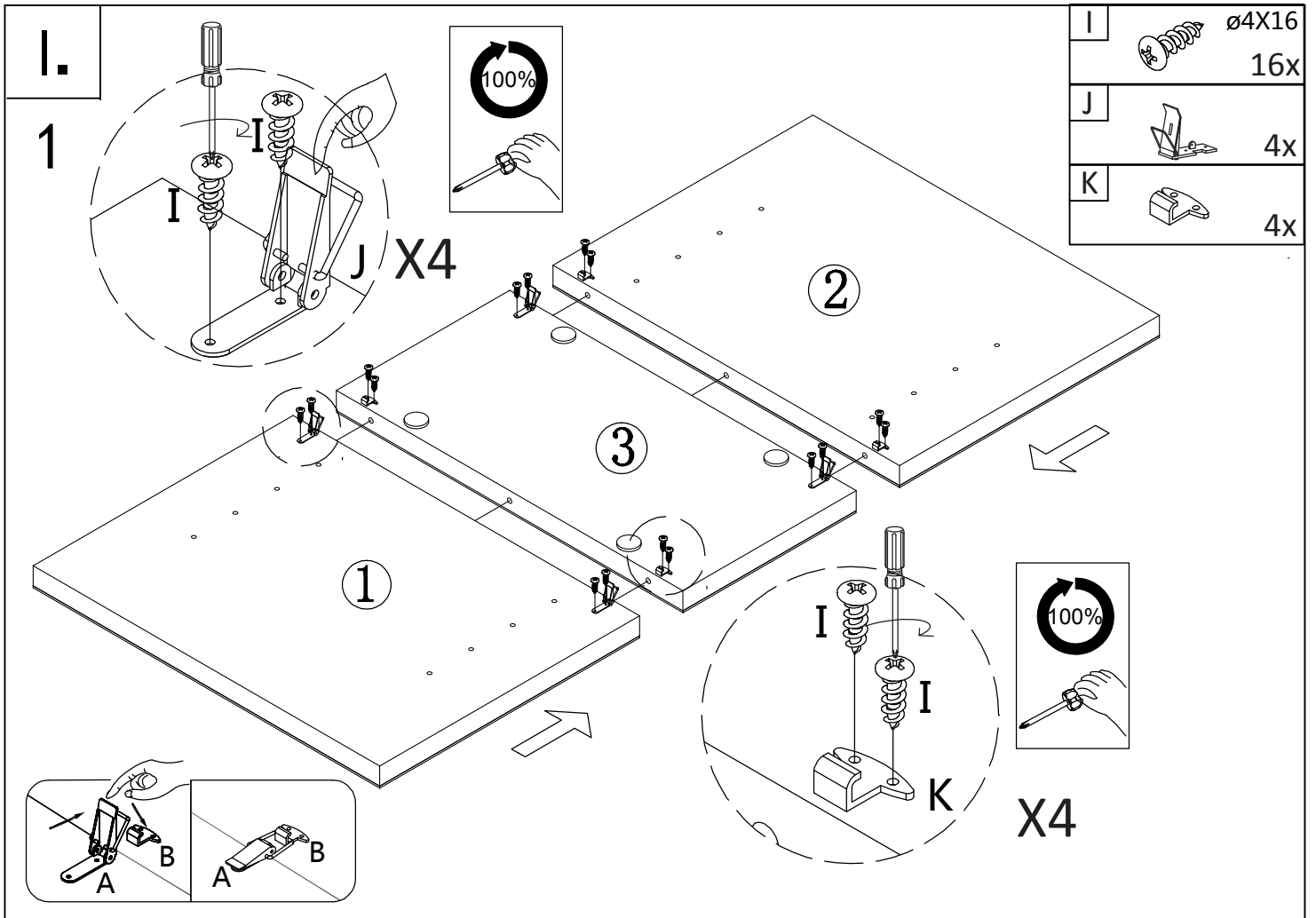


# VILERA



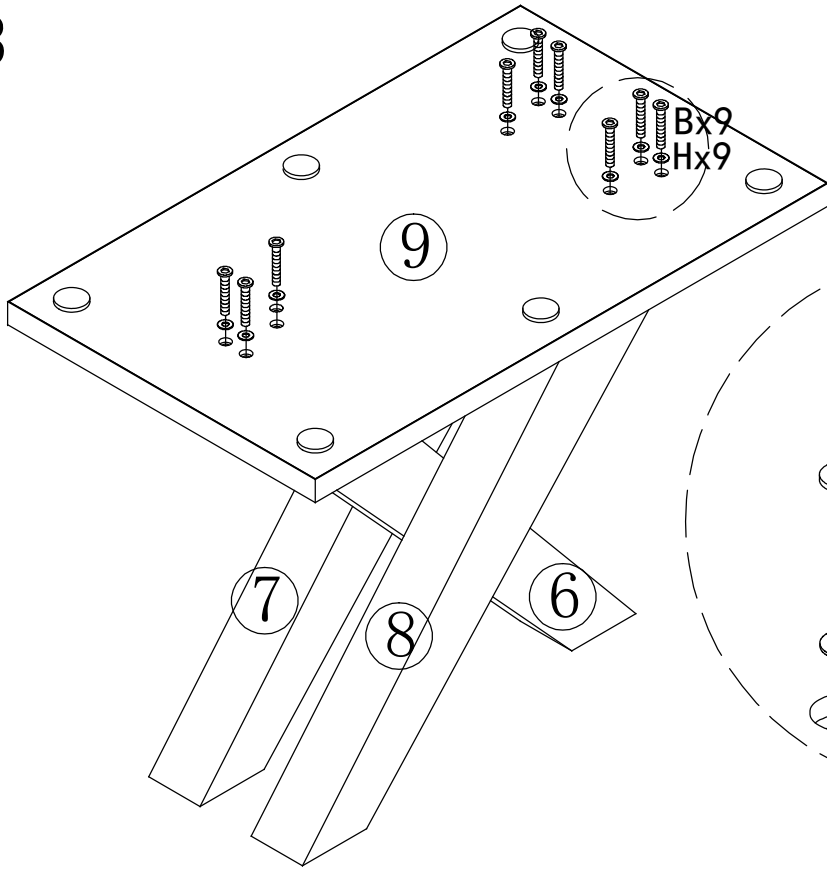
|   |    |  |
|---|----|---|
| 1 | 1x | 1/2   |
| 2 | 1x | 1/2   |
| 3 | 1x | 1/2   |
| 4 | 2x | 2/2   |
| 5 | 1x | 2/2   |
| 6 | 1x | 2/2   |
| 7 | 1x | 2/2   |
| 8 | 1x | 2/2   |
| 9 | 1x | 2/2   |

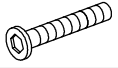

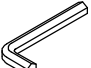
|   |  | 1/2 |   |   |    |   |   |    |   |        |    |   |       |    |   |   |     |   |   |     |   |            |     |
|---|---|-----|---|---|----|---|---|----|---|--------|----|---|-------|----|---|---|-----|---|---|-----|---|------------|-----|
| A | M8x35   | 9x  | B | M8x40   | 9x | C | ø8x30   | 4x | D | ø15x40 | 4x | E | M7x48 | 8x | F | M6x15   | 16x | G | ø6.5xø16x1  | 16x | H | ø8.5xø22x2 | 18x |
| I | ø4x16   | 16x | J |  | 4x | K |  | 4x | L | M4     | 1x | M | M5    | 1x | N |  | 1x  | O |  | 9x  |   |            |     |

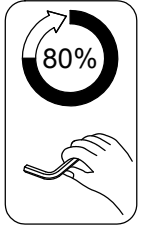


II.

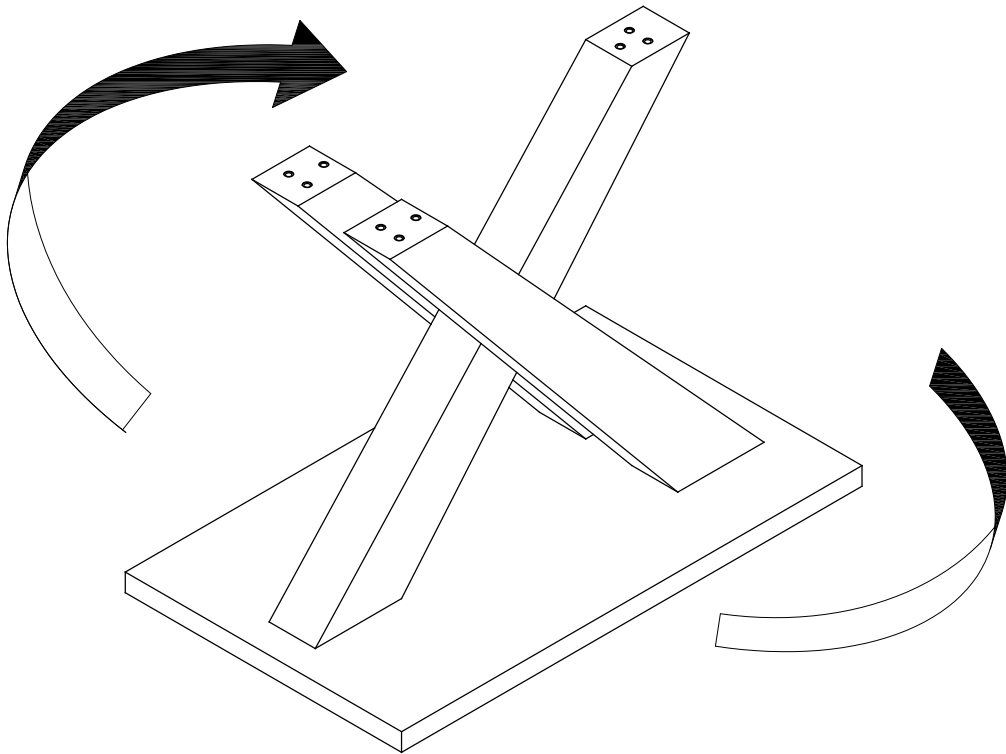
3



|   |   |           |
|---|---|-----------|
| B |  | M8x40     |
|   |   | 9x        |
| H |  | ø8.5x22x2 |
|   |   | 9x        |
| M |  | M5        |
|   |   | 1x        |

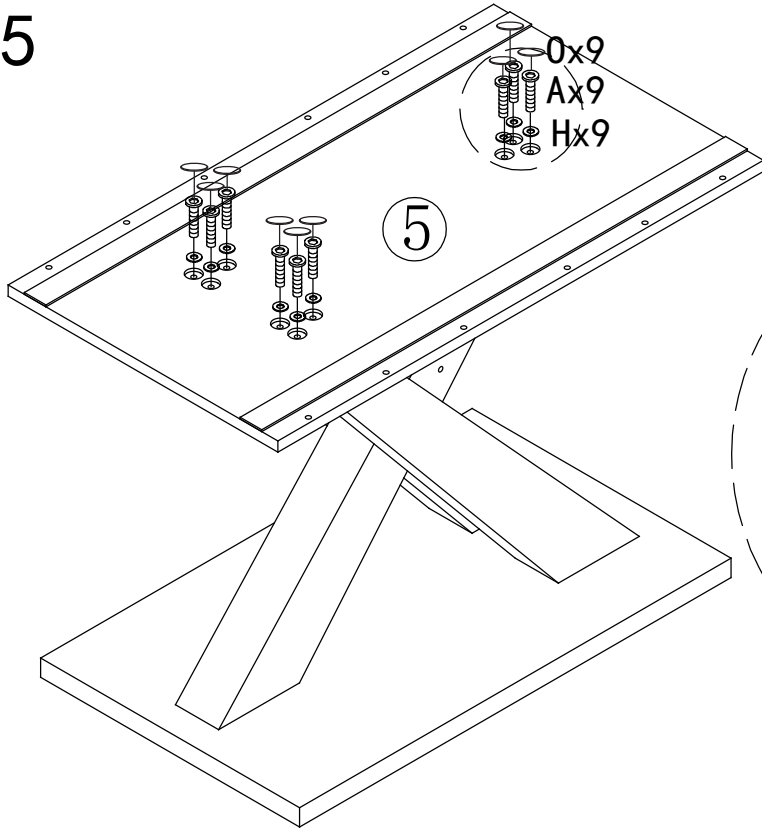


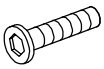

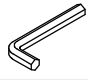

4

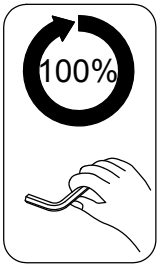
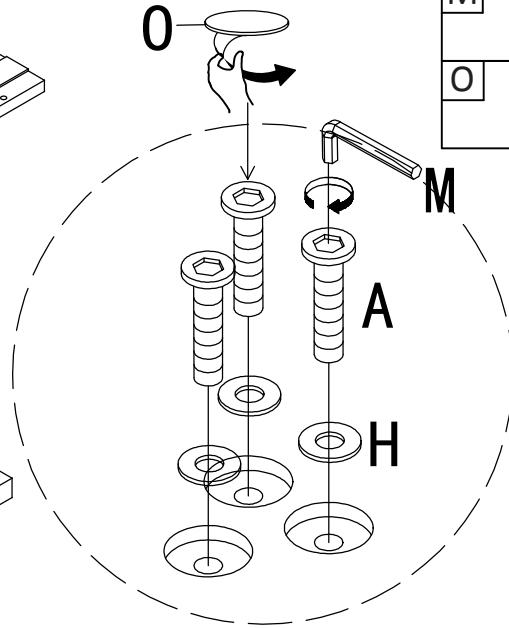


III.

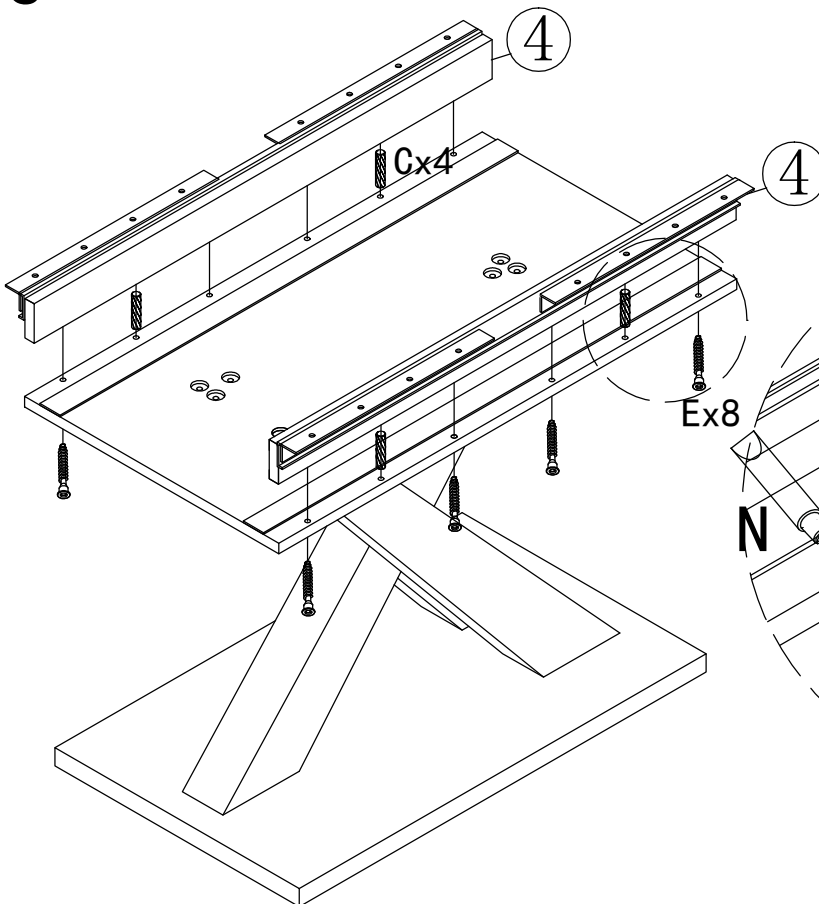
5


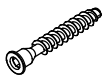
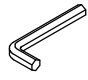
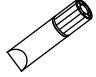


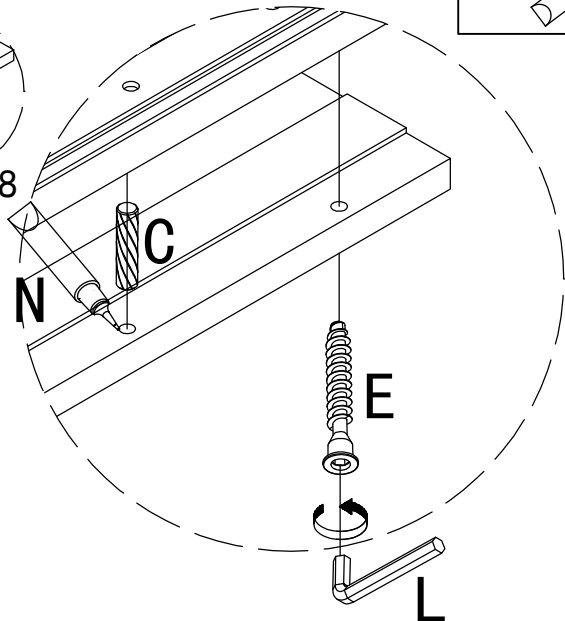
|   |   |               |
|---|---|---------------|
| A |  | M8x35         |
|   |   | 9x            |
| H |  | ø 8.5x ø 22x2 |
|   |   | 9x            |
| M |  | M5            |
|   |   | 1x            |
| O |  |               |
|   |   | 9x            |



6

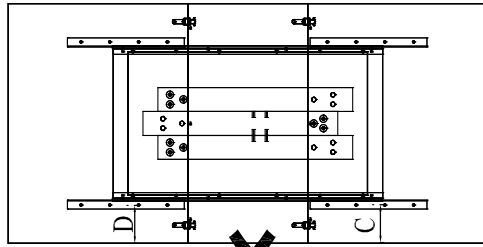
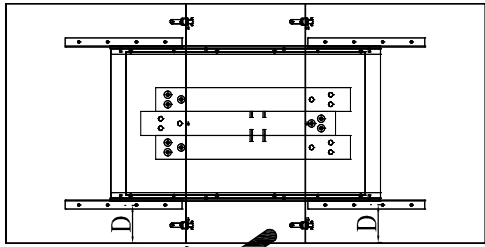




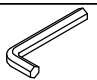
|   |   |       |
|---|---|-------|
| C |  | ø8x30 |
|   |   | 4x    |
| E |  | M7x48 |
|   |   | 8x    |
| L |  | M4    |
|   |   | 1x    |
| N |  |       |
|   |   | 1x    |

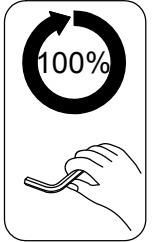
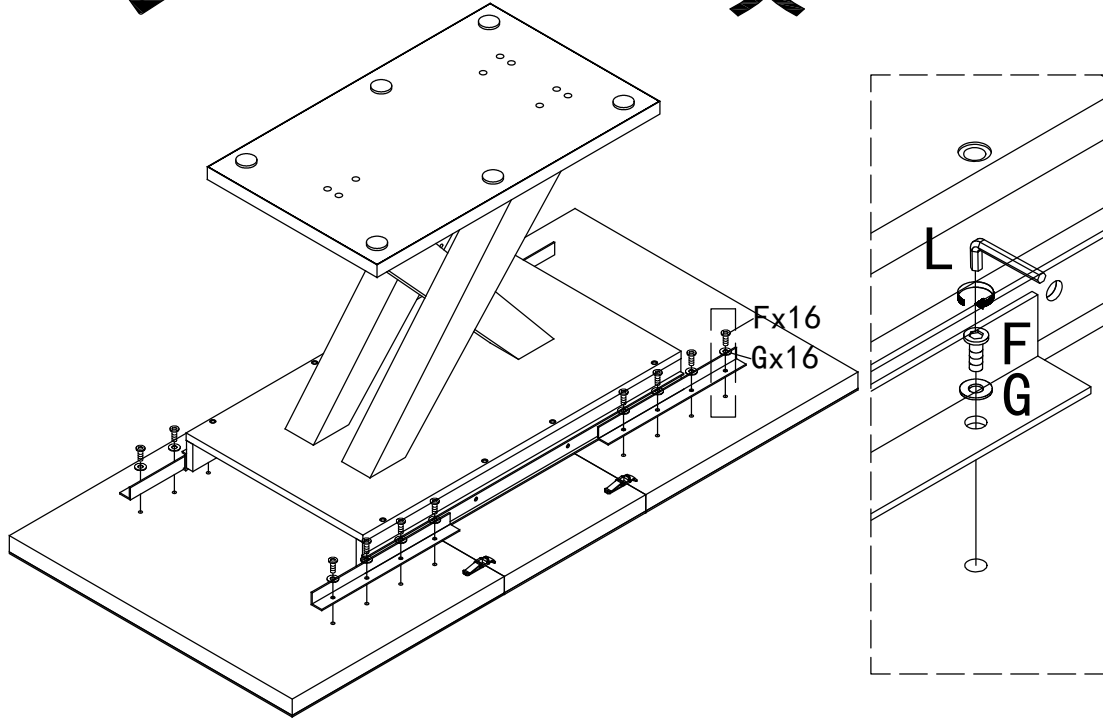


IV.

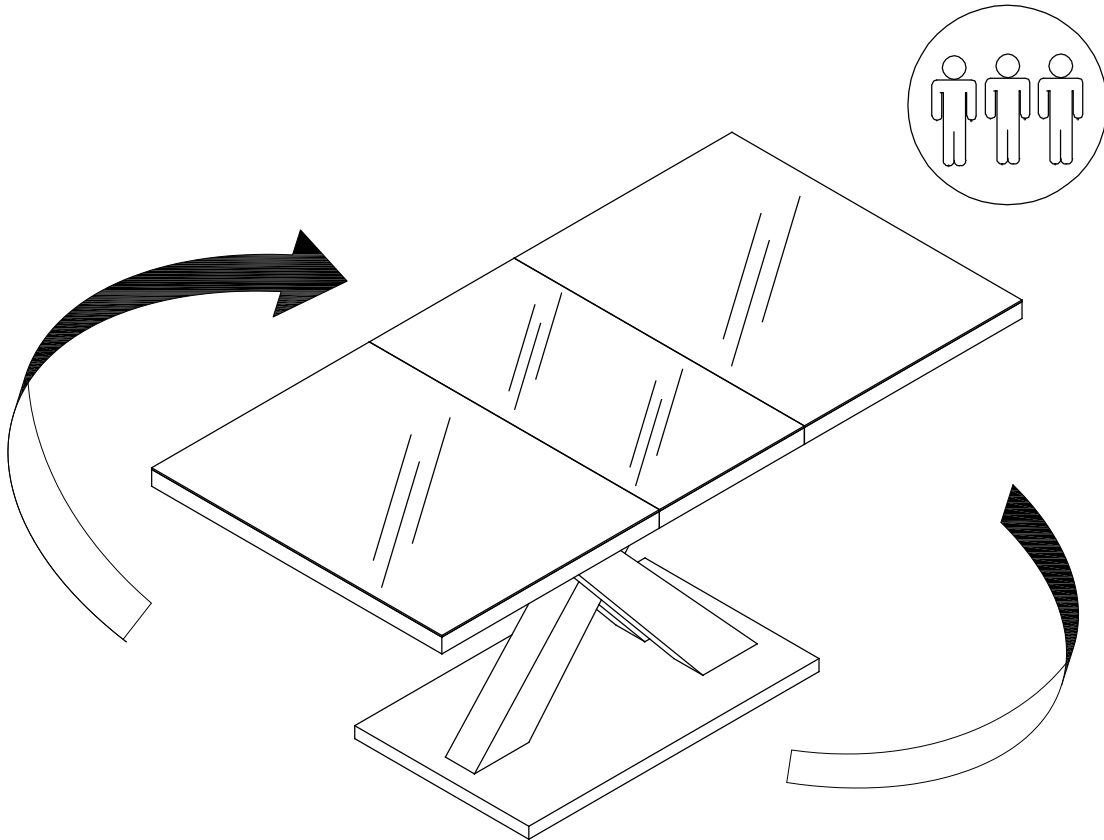
7



|   |   |             |
|---|---|-------------|
| F |  | M6x15       |
|   |   | 16x         |
| G |  | ø 6.5xø16x1 |
|   |   | 16x         |
| L |  | M4          |
|   |   | 1x          |

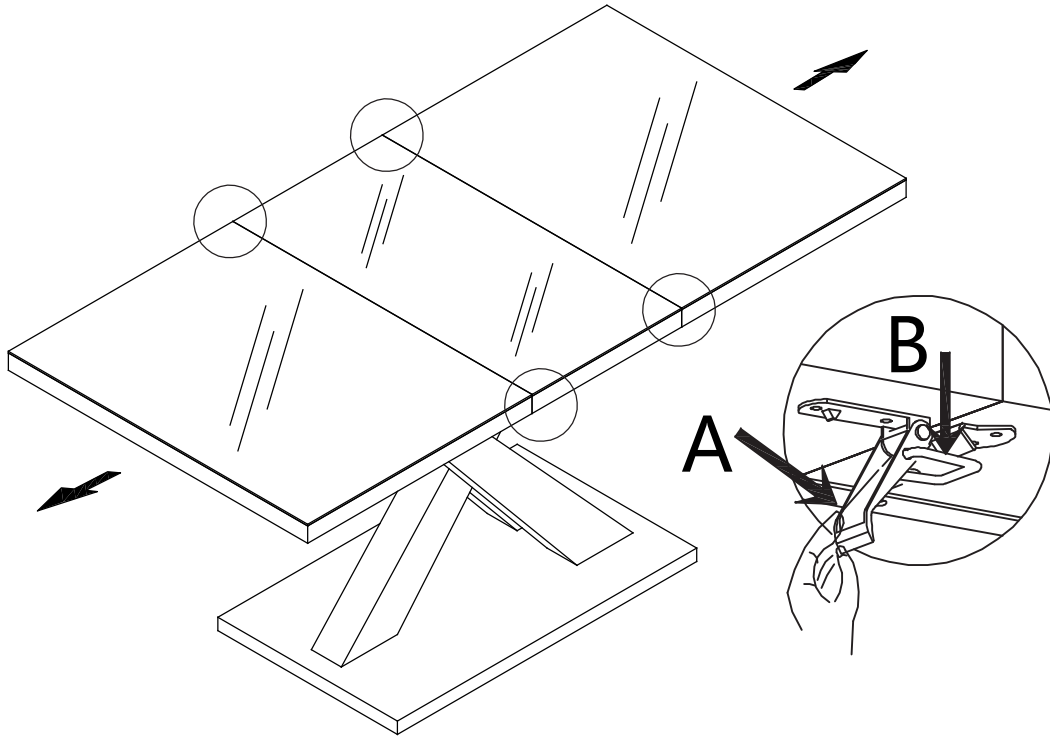


8

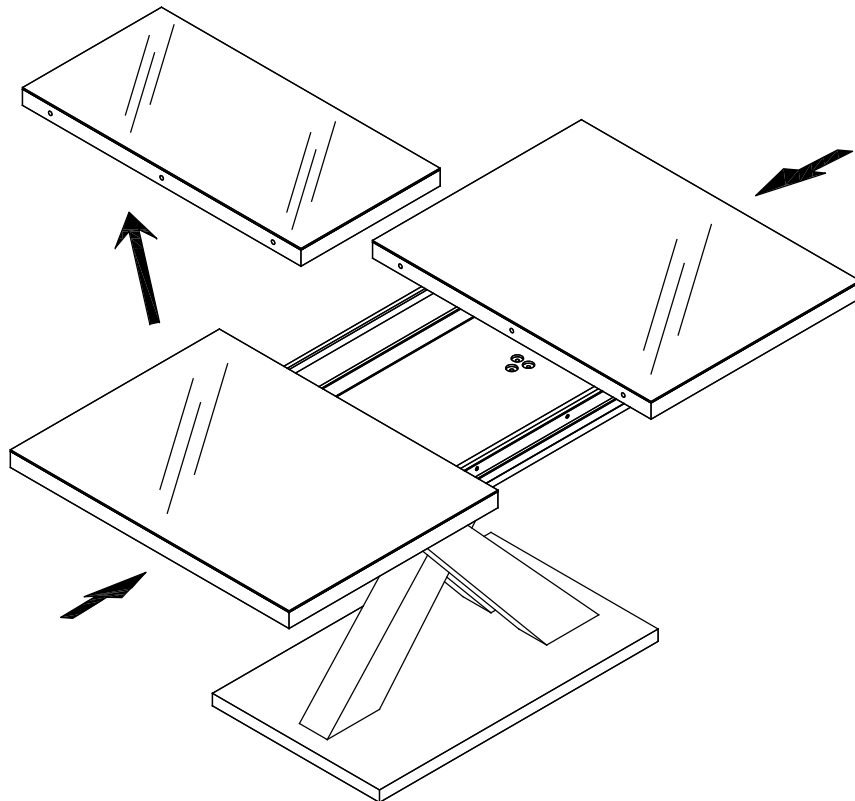


V.

9

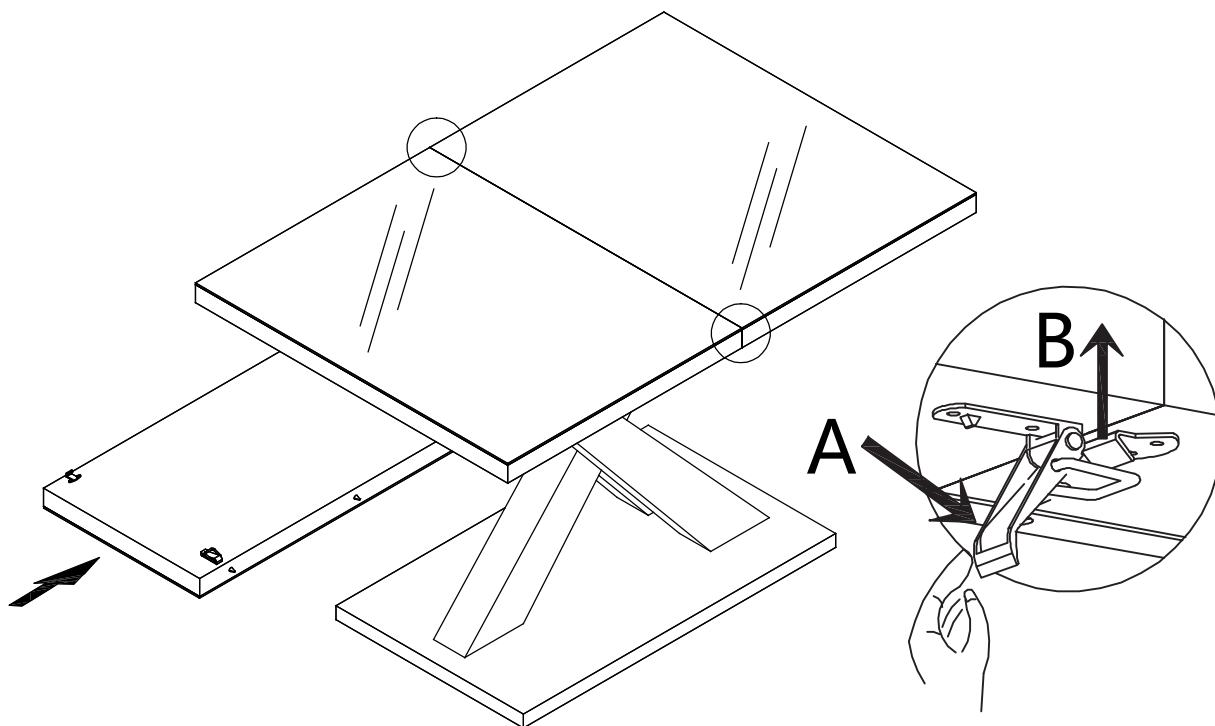


10



VI.

11



12

