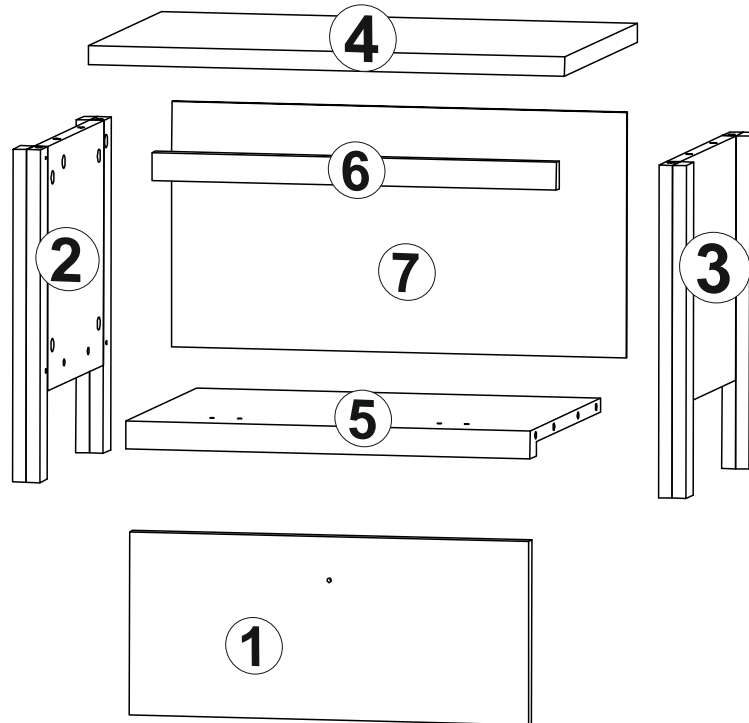
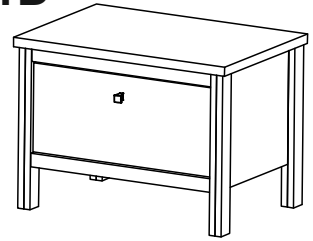
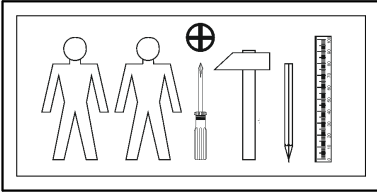
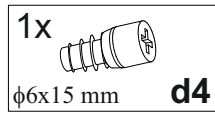
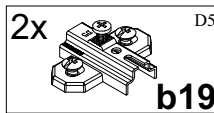
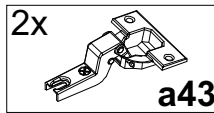
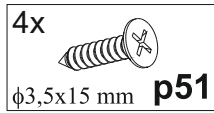
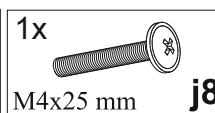
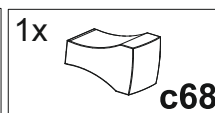
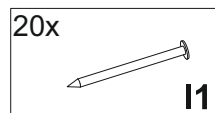
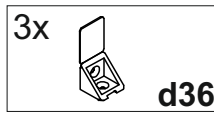
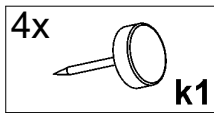
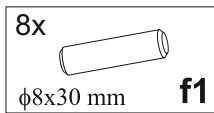
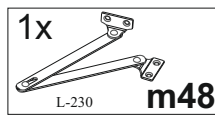
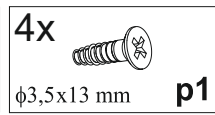
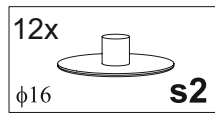
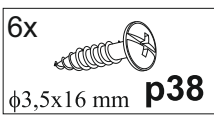
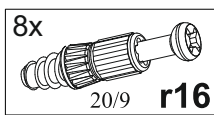
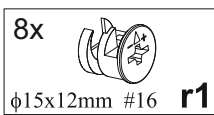


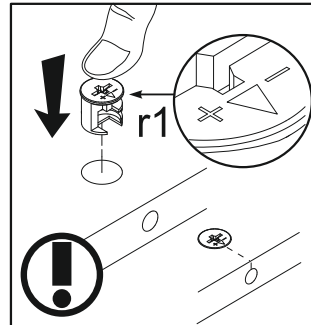
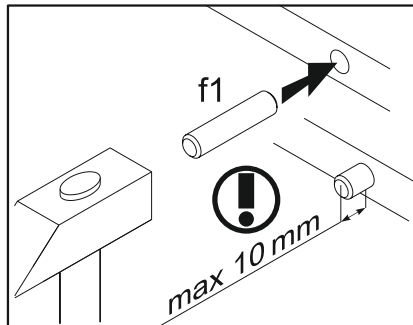
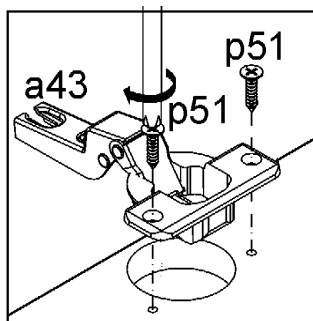
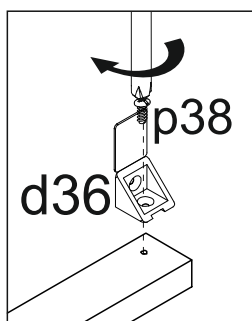
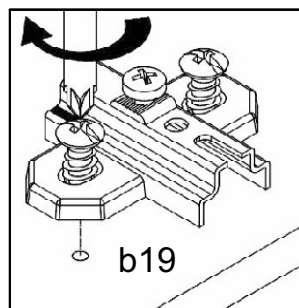
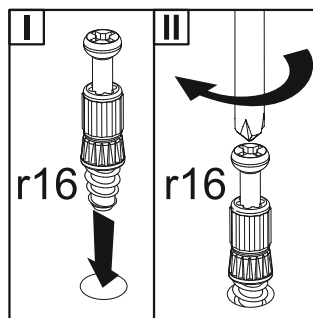
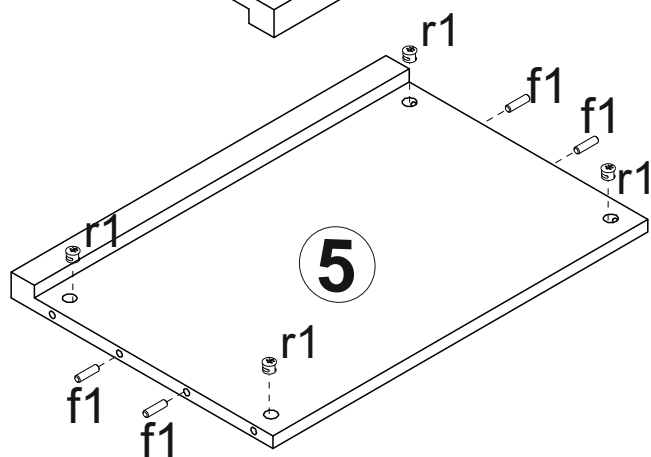
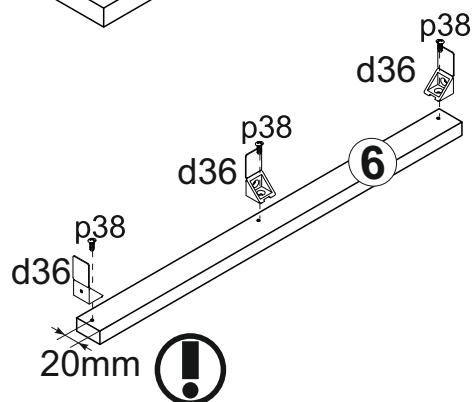
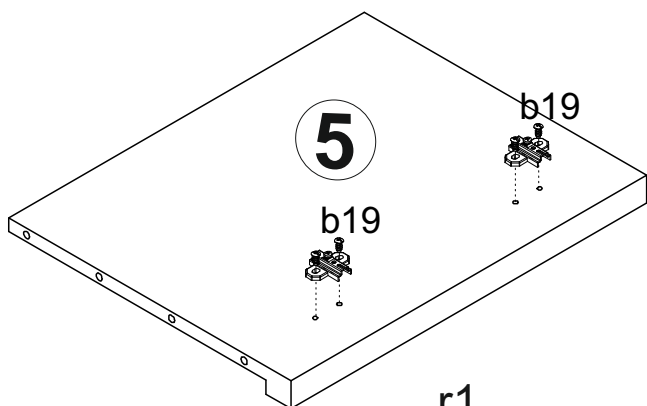
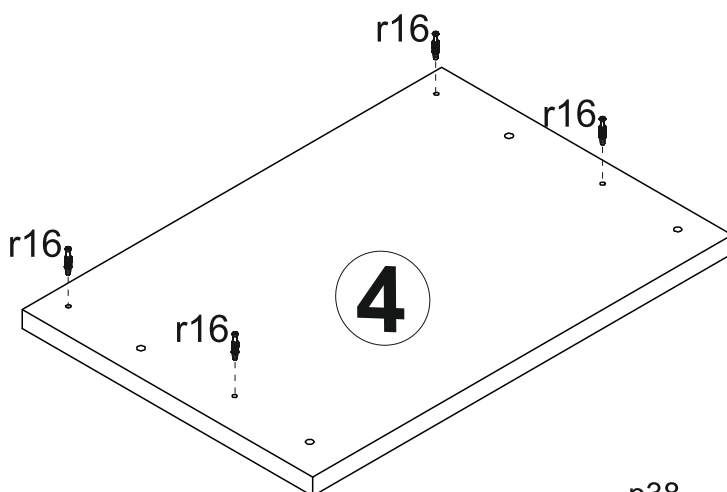
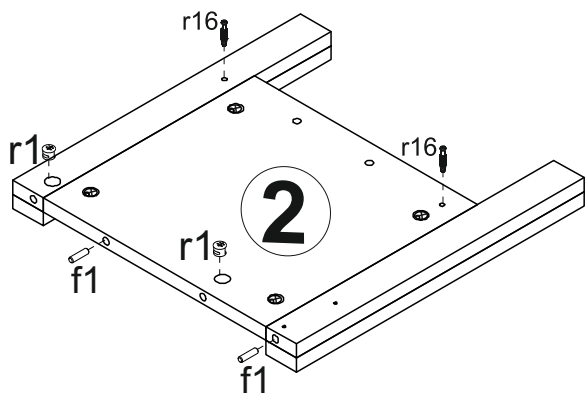
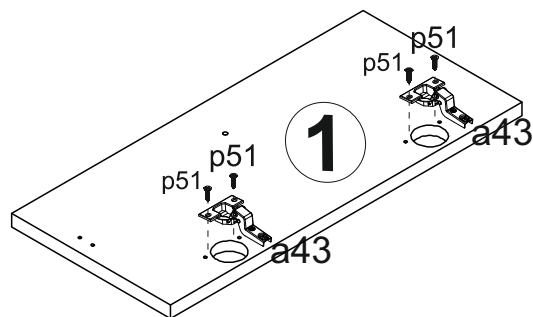
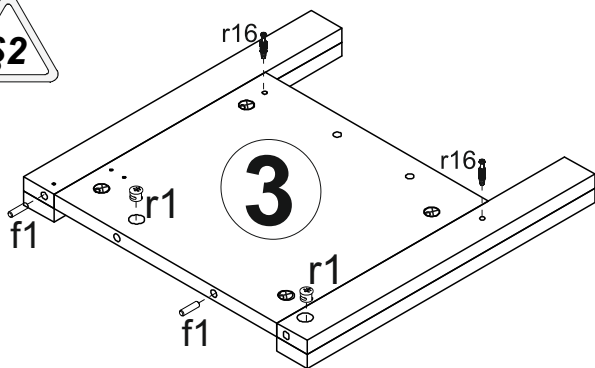
## KOM1D



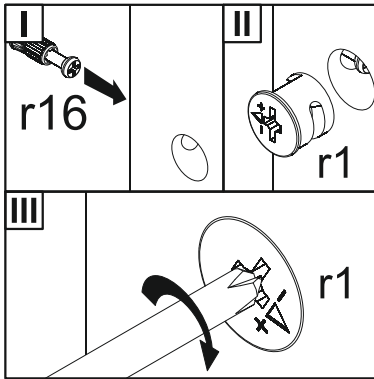
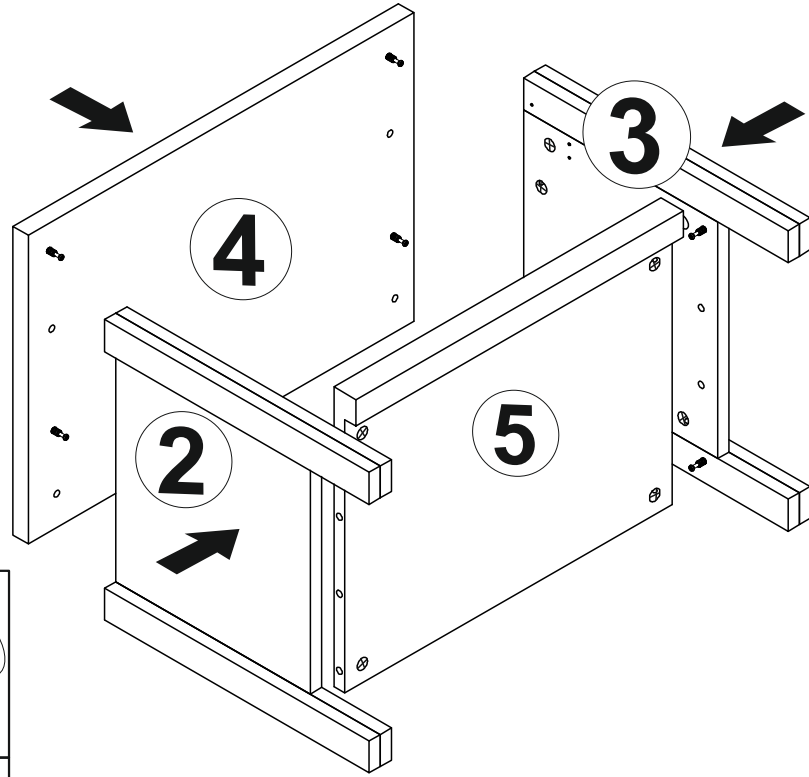
A	B	C		D
1	HM1-013	465	210	1/1
2	HM1-119	381	375	1/1
3	HM1-121	381	375	1/1
4	HM1-204	555	385	1/1
5	HM1-315	471	374	1/1
6	HM1-446	471	32	1/1
7	HM1-911	530	281	1/1



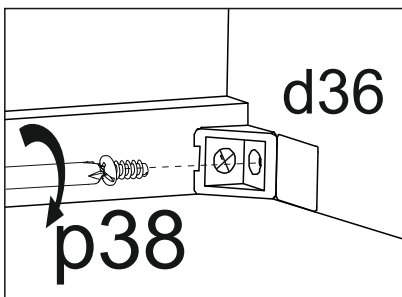
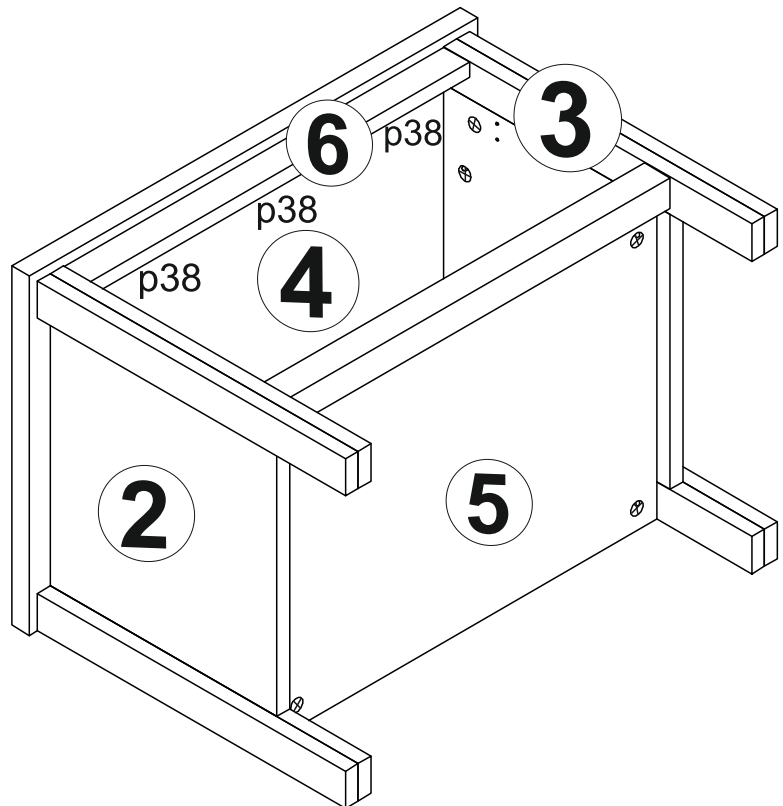
**1** 



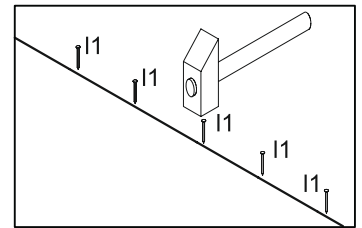
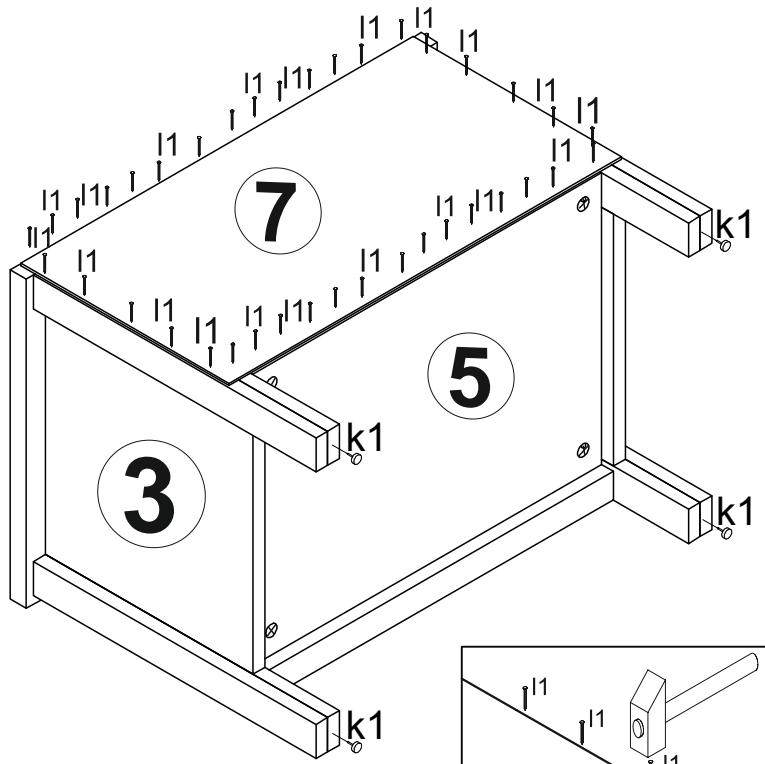
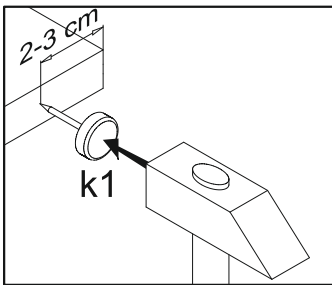
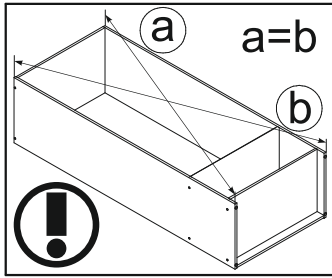
2



3



# 4



# 5

