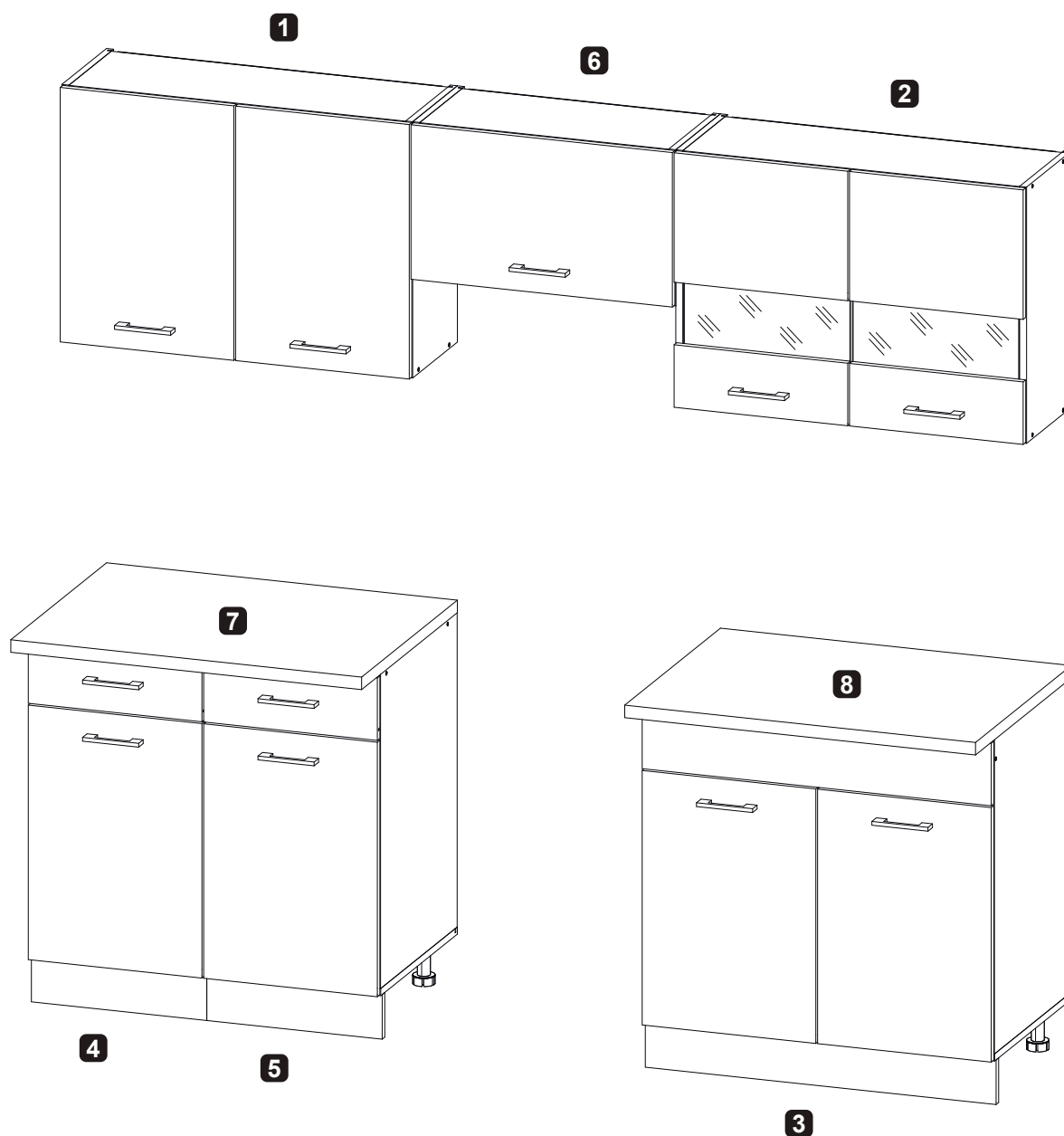
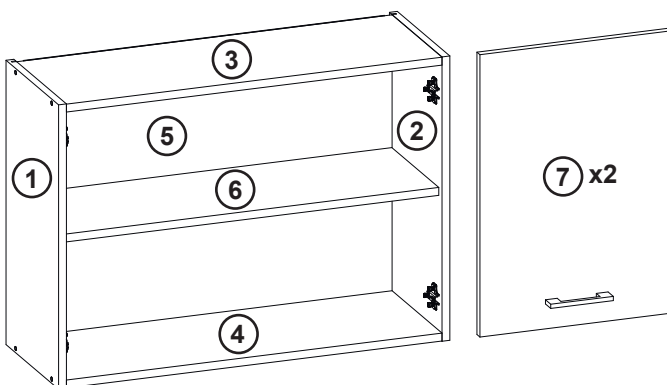
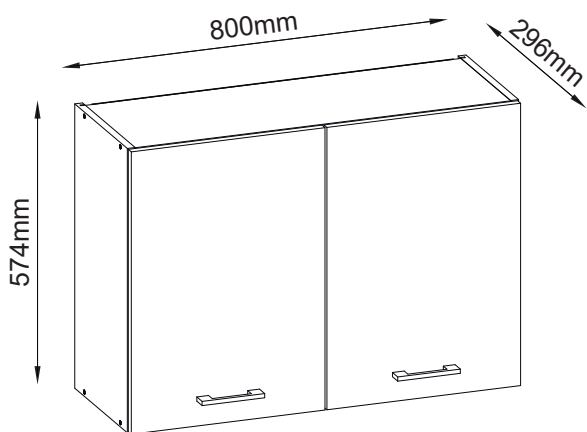


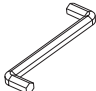



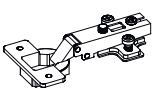

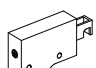
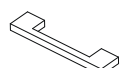





ESPERO 220



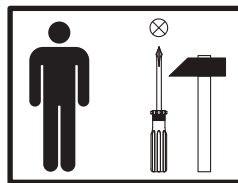
- 1** W80/57
- 2** W80W/57
- 3** D80Z
- 4** D40S1
- 5** D40S1
- 6** Wo60/35
- 7** Worktop 80
- 8** Worktop 80

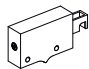




ESPERO W80_57

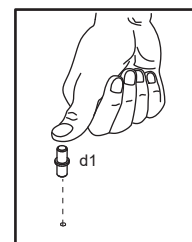
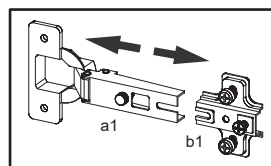
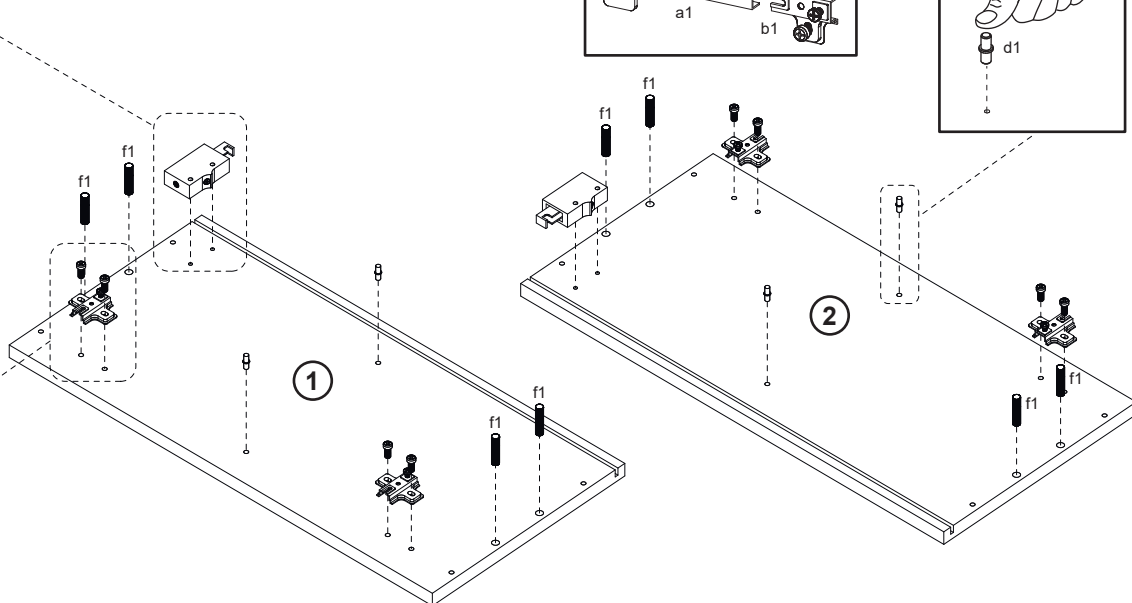
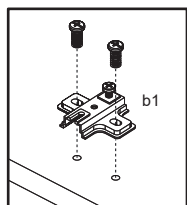
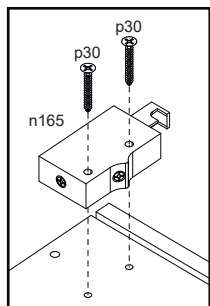


1x 4mm  z1	8x  Ø 6,3x50mm e27	8x  Ø 12mm s3
8x Ø 8x30mm  f1	4x Ø 35mm  ab1	4x Ø 5mm  d1
2x  n165	2x L=96/128mm  c238	6x 10x10x15mm  l2
8x Ø 2x20mm  g1	8x Ø 3,5x16mm  p51	4x Ø 4x25mm  p26
	4x Ø 4x30 mm  p30	

A	B (mm)		C	D
1	574	280	16	x1
2	574	280	16	x1
3	768	266	16	x1
4	768	280	16	x1
5	782	560	2.5	x1
6	767	250	16	x1
7	570	396	16	x2



1	n165 x 2 	p30 x 4 Ø 4x30mm 	d1 x 4 Ø 5mm 	b1 x 4 40x50x12mm 	f1 x 8 Ø 8x30mm 
----------	---	--	--	---	---



2

z1 x 1 4mm	e27 x 8 Ø 6,3x50mm	s3 x 8 Ø 12mm
---------------	-----------------------	------------------

z1
e27

3

g1 x 8 Ø 2x20mm	l2 x 6 10x10x15mm
--------------------	----------------------

g1
8mm

l2
XX=YY=90°

4

a1 x 4 Ø 35mm	p51 x 8 Ø 3,5x16mm	c238 x 2 L=96/128mm	p26 x 4 Ø 4x25mm
------------------	-----------------------	------------------------	---------------------

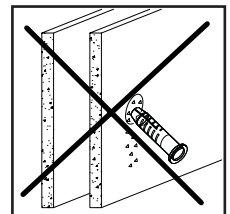
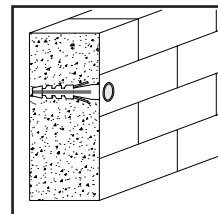
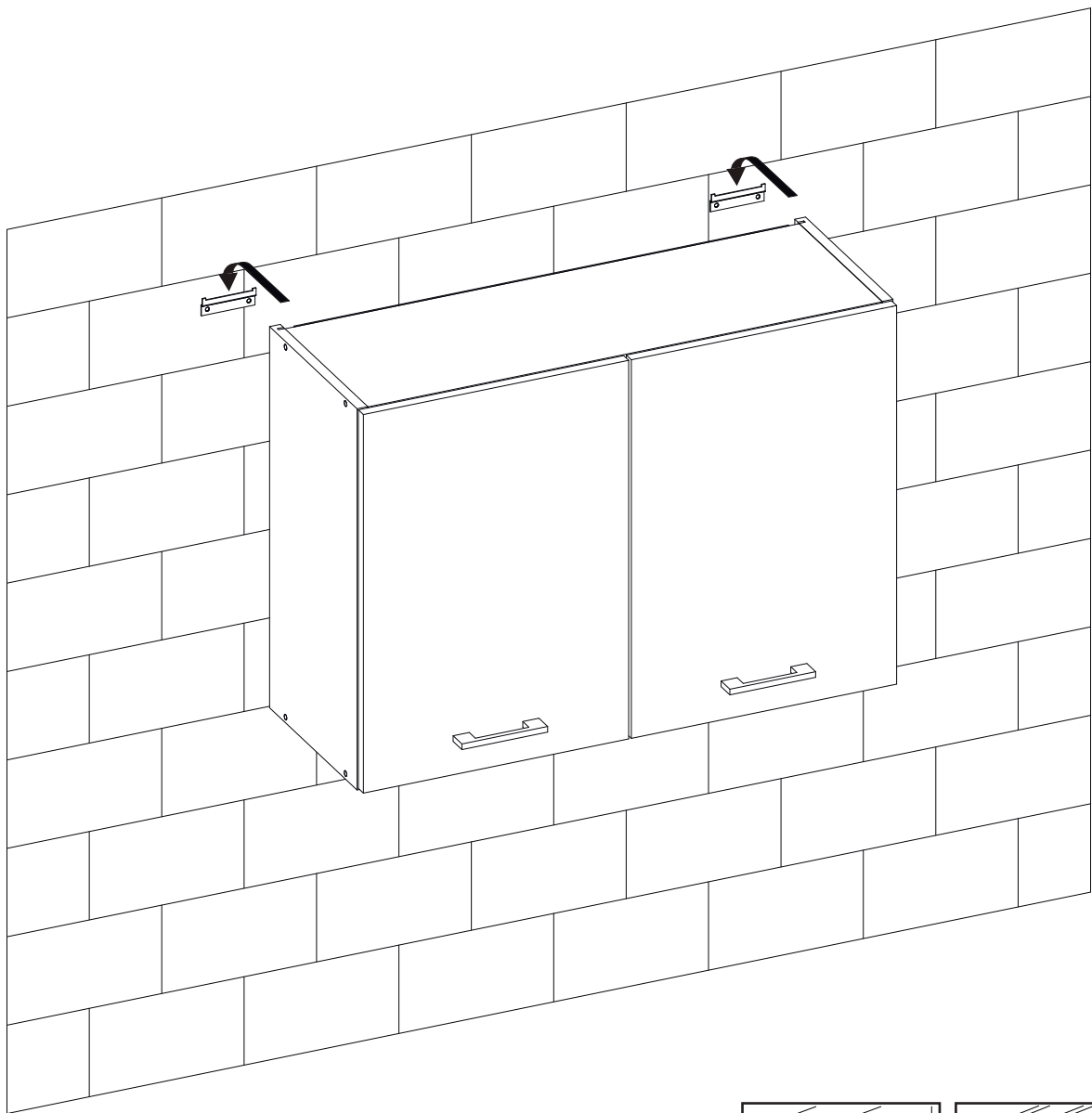
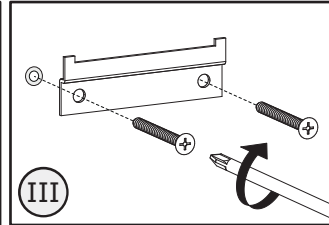
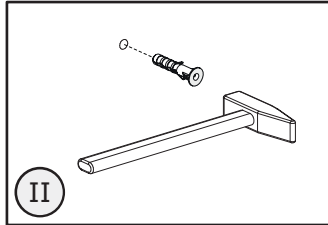
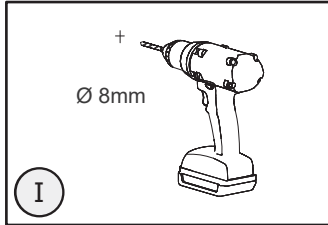
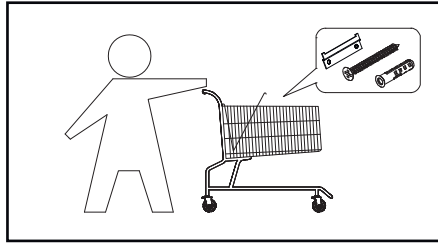
a1
p51
c238
p26

Ø5

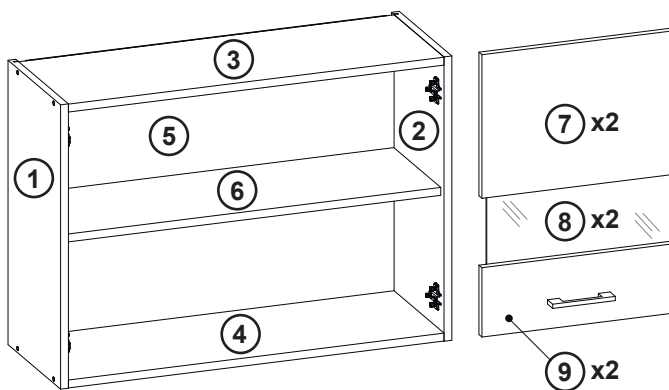
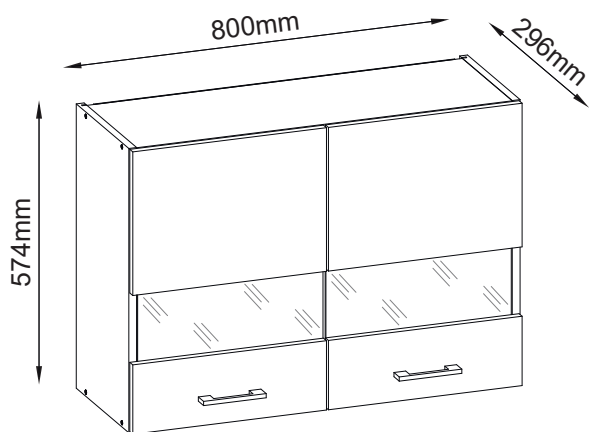
5

Ø 35mm

6

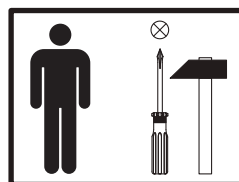


ESPERO W80W_57

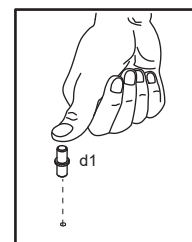
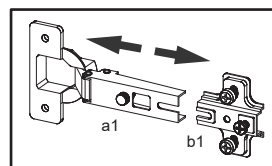
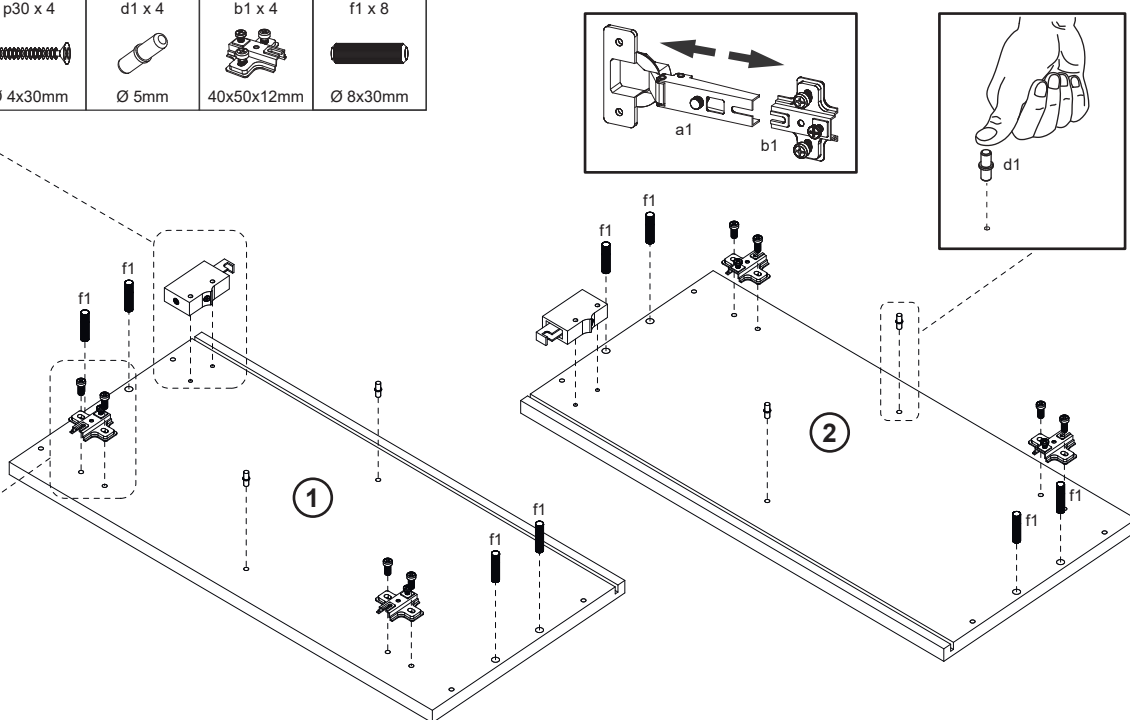
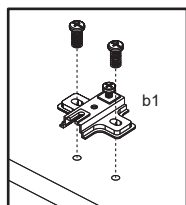
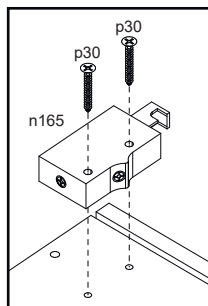


1x 4mm z1	8x Ø 6,3x50mm e27	8x Ø 12mm s3
8x Ø 8x30mm f1	4x Ø 35mm ab1	4x Ø 5mm d1
2x n165	2x L=96/128mm c238	6x 10x10x15mm l2
8x Ø 2x20mm g1	8x Ø 3,5x16mm p51	4x Ø 4x25mm p26
4x Ø 4x30 mm p30	8x 10x6x10mm d6	8x Ø 4,2x16mm p21

A	B (mm)		C	D
1	574	280	16	x1 2/8
2	574	280	16	x1 2/8
3	768	266	16	x1 2/8
4	768	280	16	x1 2/8
5	782	560	2.5	x1 2/8
6	767	250	16	x1 2/8
7	396	290	16	x2 8/8
8	379	200	4	x2 8/8
9	396	140	16	x2 8/8



1	n165 x 2 	p30 x 4 Ø 4x30mm	d1 x 4 Ø 5mm	b1 x 4 40x50x12mm	f1 x 8 Ø 8x30mm
----------	--------------	-------------------------	---------------------	--------------------------	------------------------



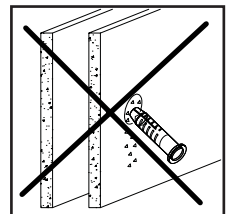
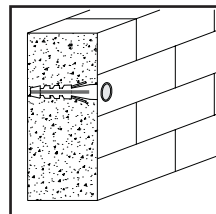
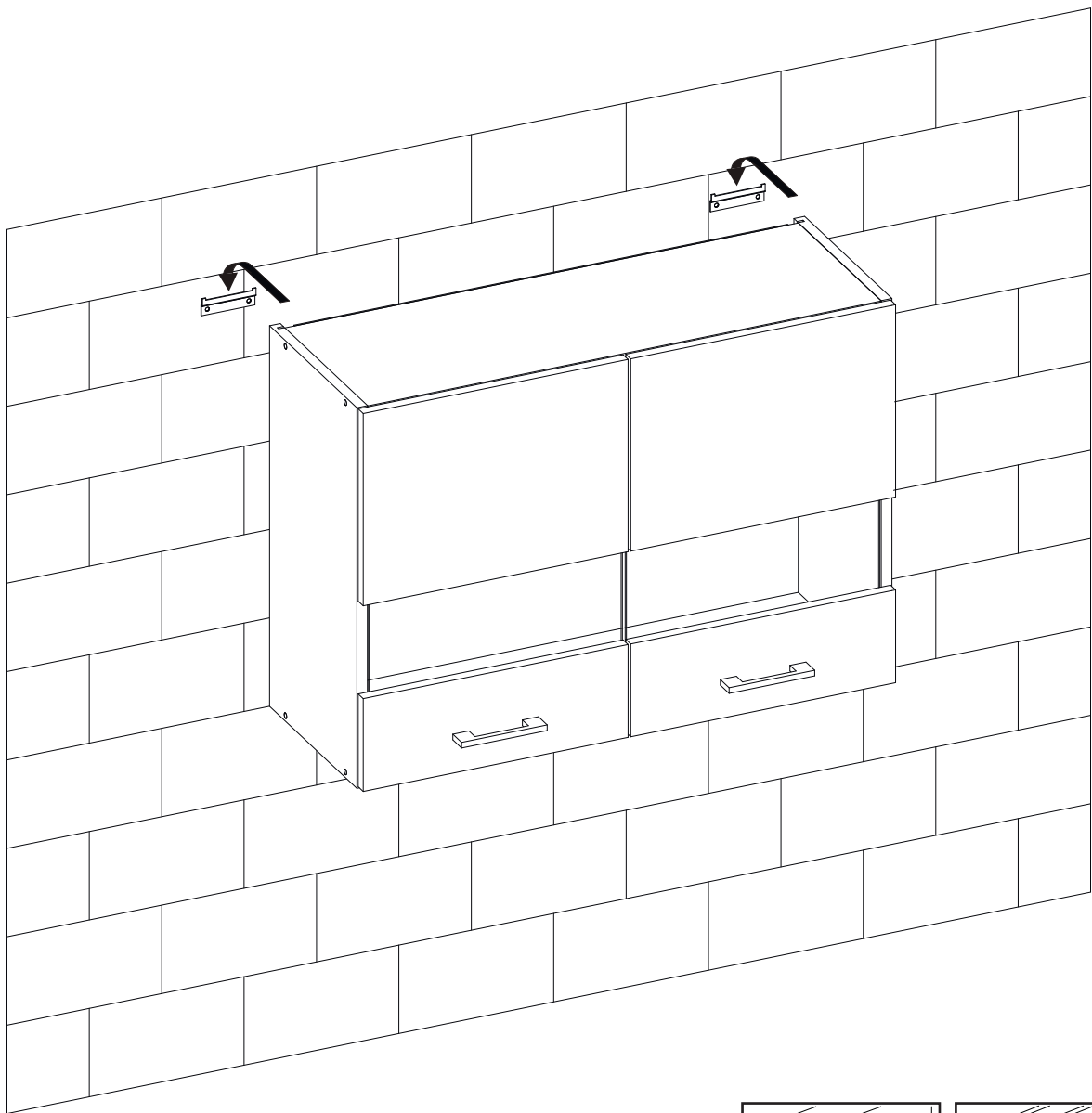
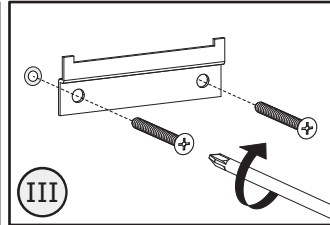
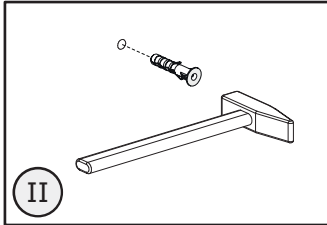
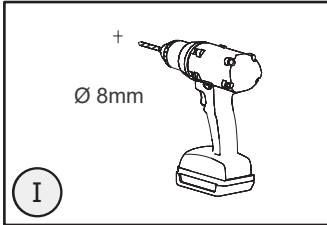
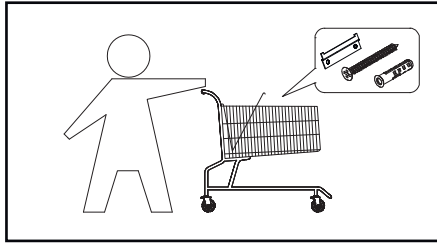
2	z1 x 1 4mm	e27 x 8 Ø 6,3x50mm	s3 x 8 Ø 12mm
----------	-------------------	---------------------------	----------------------

3	g1 x 8 Ø 2x20mm	l2 x 6 10x10x15mm
----------	------------------------	--------------------------

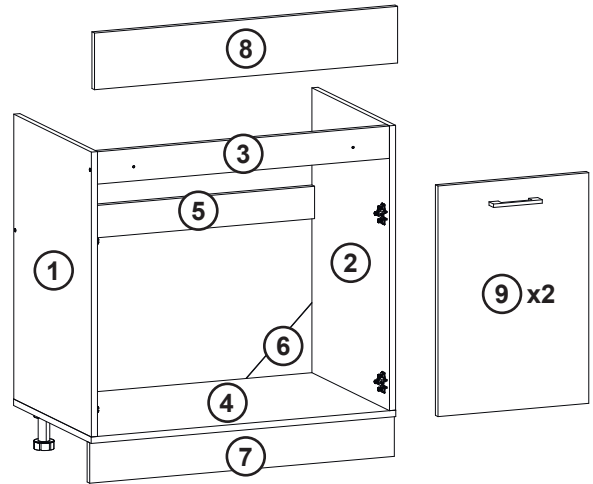
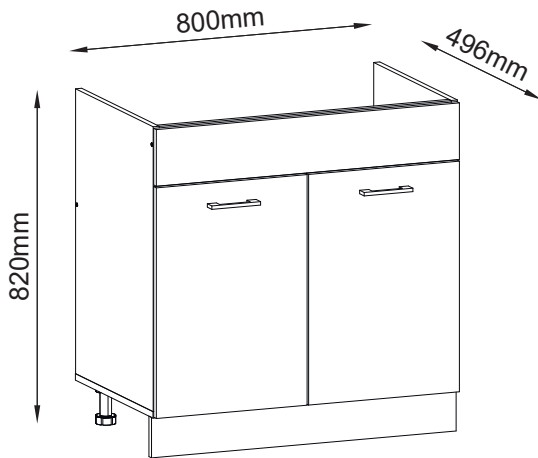
4	a1 x 4 Ø 35mm	p51 x 8 Ø 3,5x16mm	c238 x 2 L=96/128mm	p26 x 4 Ø 4x25mm	d6 x 8 10x6x10mm	p21 x 8 Ø 4,2x16mm
----------	----------------------	---------------------------	----------------------------	-------------------------	-------------------------	---------------------------

5

6

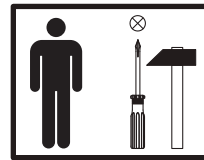


ESPERO D80z

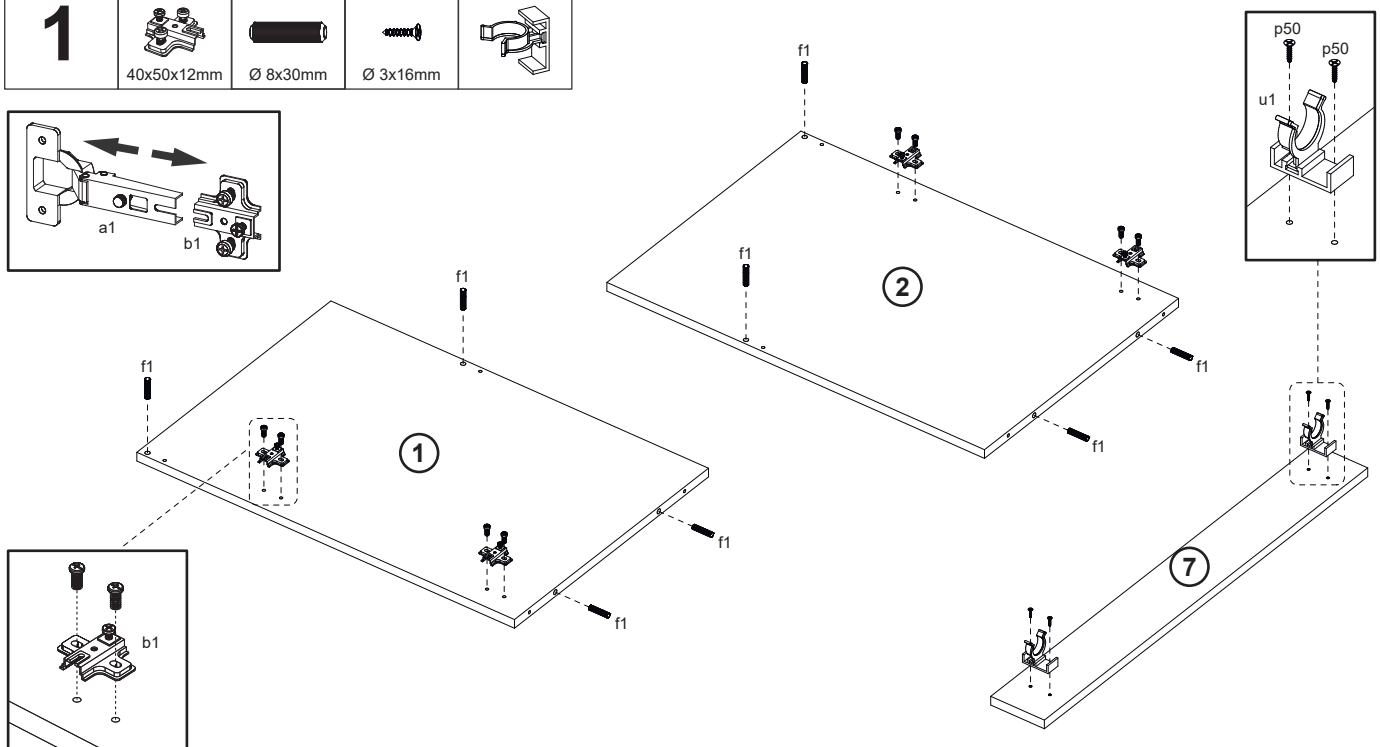
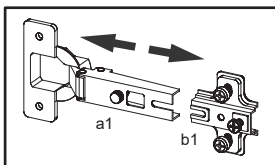


1x 4mm z1	8x Ø 6,3x50mm e27	8x Ø 12mm s3
8x Ø 8x30mm f1	4x Ø 35mm ab1	2x L=96/128mm c238
4x h=100mm k52	2x u1	12x Ø 2x20mm g1
4x Ø 4x25mm p26	20x Ø 3x16mm p50	8x Ø 3,5x16mm p51
	2x Ø 4x30 mm p30	

A	B (mm)		C	D
1	704	480	16	x1 3/8
2	704	480	16	x1 3/8
3	767	80	16	x1 3/8
4	800	480	16	x1 3/8
5	767	80	16	x1 3/8
6	200	200	2.5	x2 3/8
7	800	100	16	x1 3/8
8	796	140	16	x1 8/8
9	570	396	16	x2 8/8



1	b1 x 4 40x50x12mm 	f1 x 8 Ø 8x30mm 	p50 x 4 Ø 3x16mm 	u1 x 2
----------	--------------------------	------------------------	-------------------------	------------



2	z1 x 1 4mm	e27 x 4 Ø 6,3x50mm	s3 x 4 Ø 12mm
----------	---------------	-----------------------	------------------

Diagram 2 shows the assembly of the top panel (1) to the side panel (2). A Z-shaped bracket (z1) is attached to the top panel, and a spring (e27) is inserted through the bracket and the side panel. A spacer (s3) is used to ensure the spring is correctly positioned. Arrows indicate the direction of assembly.

z1

e27

e27

s3

3	z1 x 1 4mm	e27 x 4 Ø 6,3x50mm	s3 x 4 Ø 12mm
----------	---------------	-----------------------	------------------

Diagram 3 shows the assembly of the bottom panel (4) to the side panel (2). A Z-shaped bracket (z1) is attached to the bottom panel, and a spring (e27) is inserted through the bracket and the side panel. A spacer (s3) is used to ensure the spring is correctly positioned. Arrows indicate the direction of assembly.

e27

s3

z1

e27

4	g1 x 12 Ø 2x20mm	p50 x 16 Ø 3x16mm
----------	---------------------	----------------------

p52 x 4 h=100mm

Diagram 4 shows the assembly of the front panel (6) to the side panel (2). Screws (g1) are used to secure the front panel to the side panel. A spacer (p52) is used to ensure the front panel is correctly positioned. A detailed view shows the screw (g1) being inserted into a hole with a depth of 8mm. Another view shows the front panel (6) being secured with screws (p50) and a spacer (p52).

5	a1 x 4 Ø 35mm	p51 x 8 Ø 3,5x16mm	c238 x 2 L=96/128mm	p26 x 4 Ø 4x25mm
----------	------------------	-----------------------	------------------------	---------------------

Diagram 5 shows the assembly of the top panel (9) to the side panel (2). Brackets (a1) are attached to the top panel, and screws (p51) are used to secure them to the side panel. A handle (c238) is attached to the top panel, and a spacer (p26) is used to ensure the handle is correctly positioned. Detailed views show the brackets (a1) and screws (p51) being attached to the top panel (9).

6	p30 x 2 Ø 4x30mm
----------	---------------------

Diagram 6 shows the assembly of the front panel (9) to the side panel (2). Screws (p30) are used to secure the front panel to the side panel. Arrows indicate the direction of assembly.

Diagram 7 shows the assembly of the handle (c238) to the top panel (9). Screws (a1, b1) are used to secure the handle to the top panel. A series of five small diagrams show the step-by-step process of attaching the handle to the top panel.

2	z1 x 1 4mm	e27 x 4 Ø 6,3x50mm	s3 x 4 Ø 12mm
----------	---------------	-----------------------	------------------

z1
e27

e27
s3

3	z1 x 1 4mm	e27 x 4 Ø 6,3x50mm	s3 x 4 Ø 12mm
----------	---------------	-----------------------	------------------

z1
e27

e27
s3

4	g1 x 5 Ø 2x20mm	l2 x 7 10x10x15mm	p52 x 4 h=100mm
----------	--------------------	----------------------	--------------------

p50 x 16
Ø 3x16mm

g1

8mm

l2

p50

k52
p50 p50 p50

XX=YY=90°

5	z1 x 1 4mm	e27 x 4 Ø 6,3x50mm	s3 x 4 Ø 12mm	r1 x 4 Ø 15x12mm	r23 x 4 45mm	s1 x 4 Ø 20mm	c238 x 1 L=96/128mm	p26 x 2 Ø 4x25mm	n1/2 x 1 R L L=400mm	p50 x 4 Ø 3x16mm	g1 x 5 Ø 2x20mm
----------	---------------	-----------------------	------------------	---------------------	-----------------	------------------	------------------------	---------------------	-------------------------------	---------------------	--------------------

r23

r1

s1

r1

p50

R

L

n1/2

p50

L

n1/2

g1

Ø5

6

a1 x 2



Ø 35mm

p51 x 4



Ø 3,5x16mm

c238 x 1

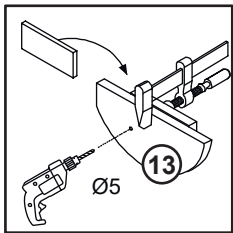
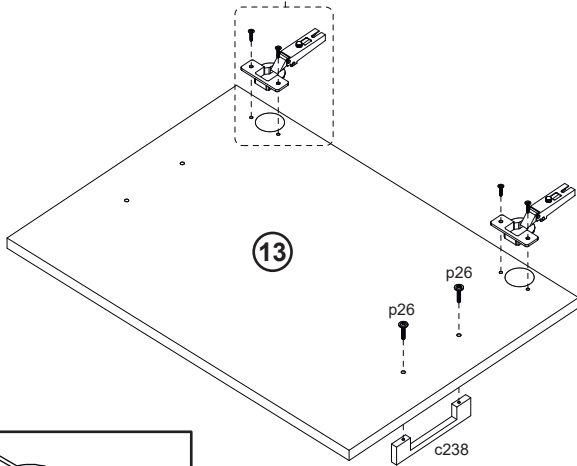
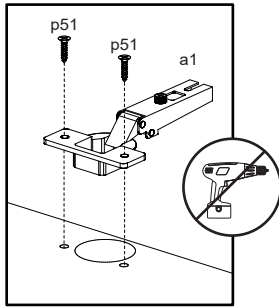
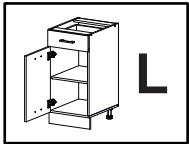
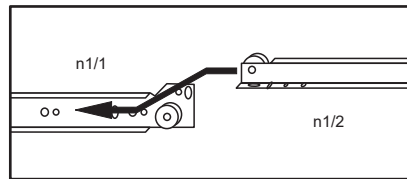
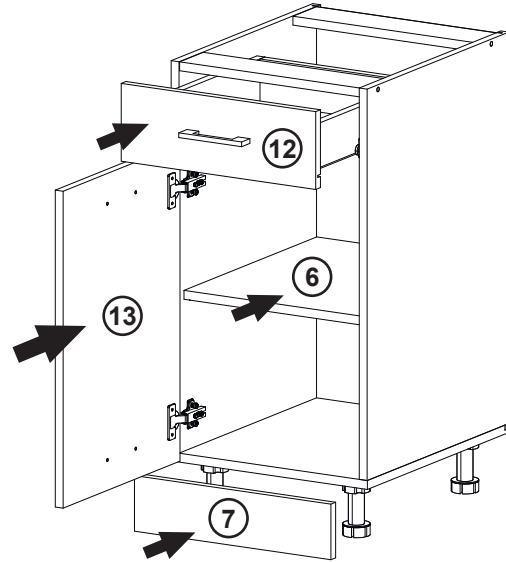
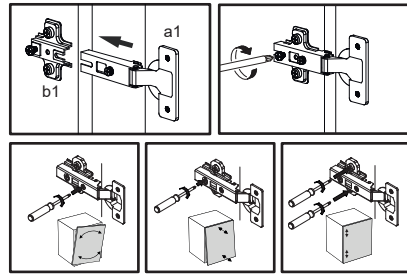
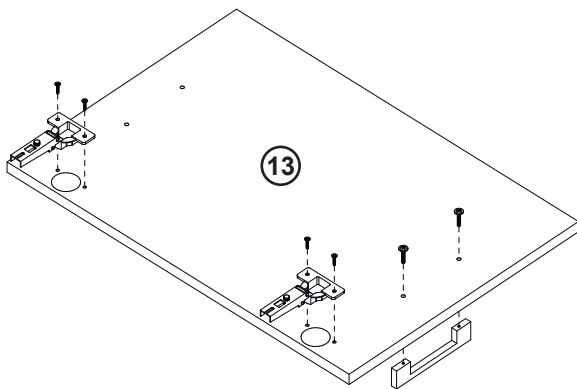
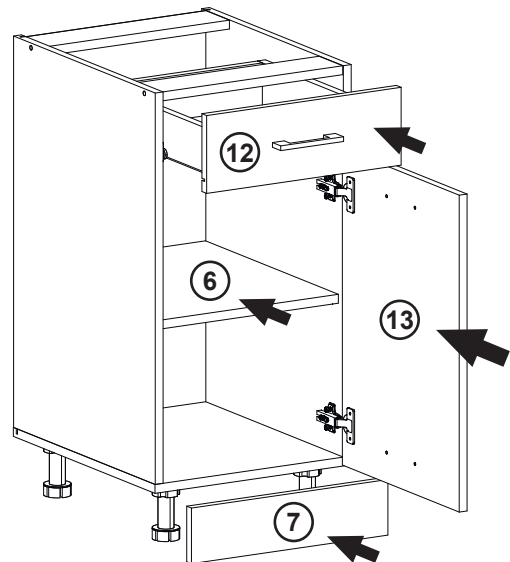


L=96/128mm

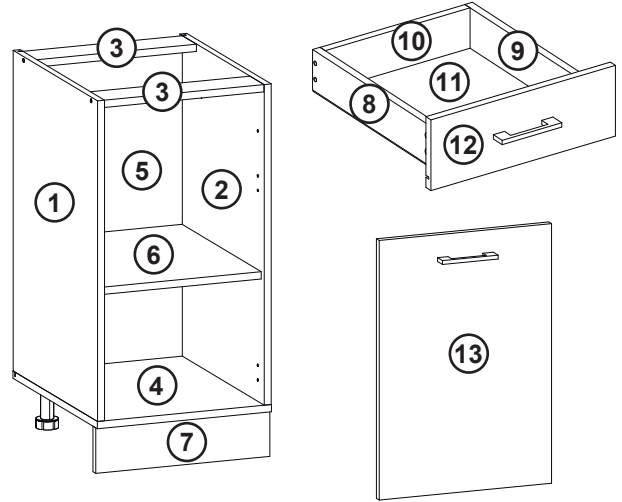
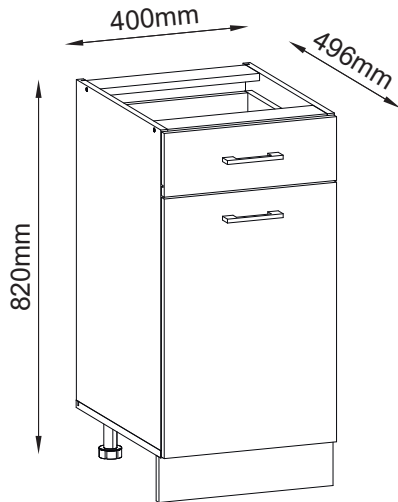
p26 x 2



Ø 4x25mm

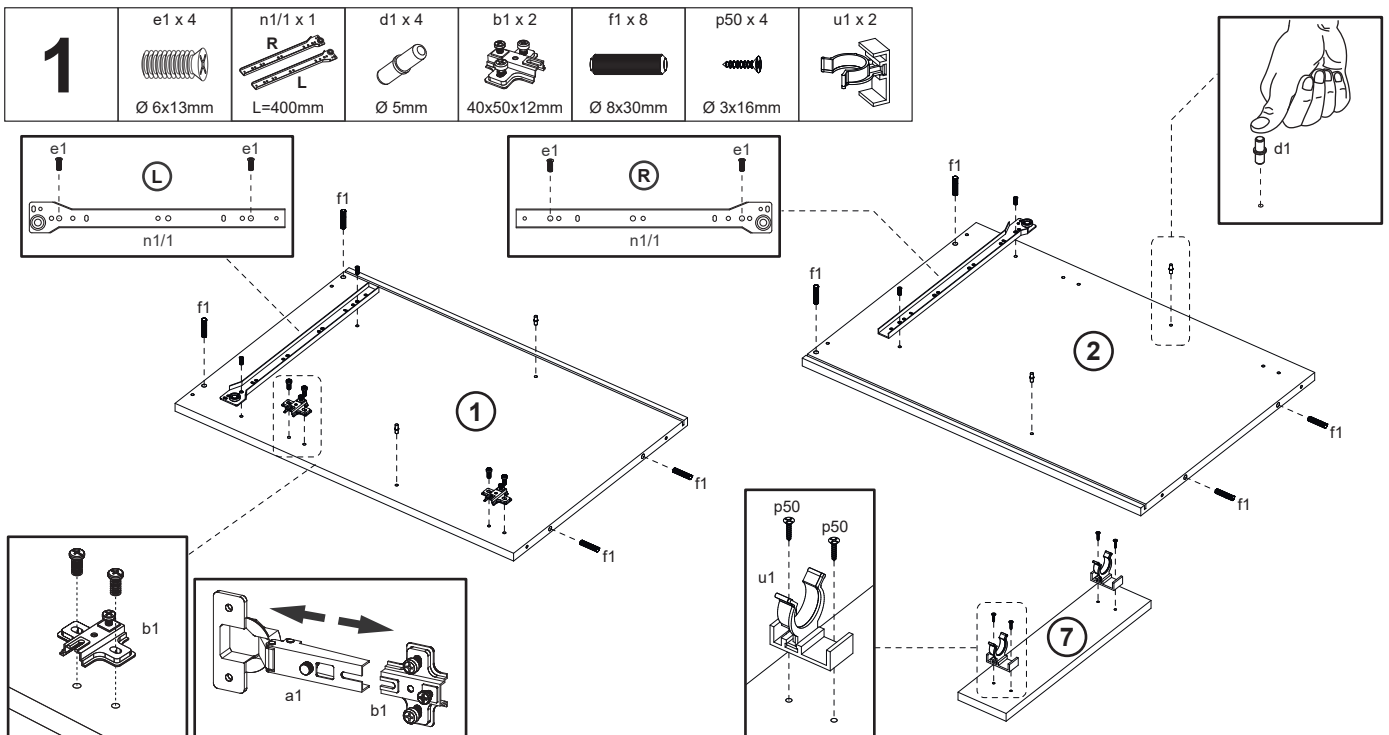
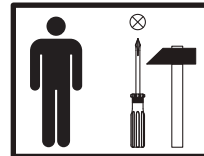
**7****L****R****R**

ESPERO D40s1



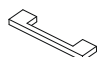



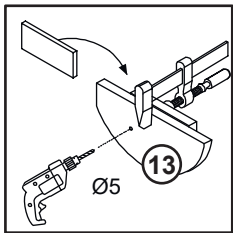
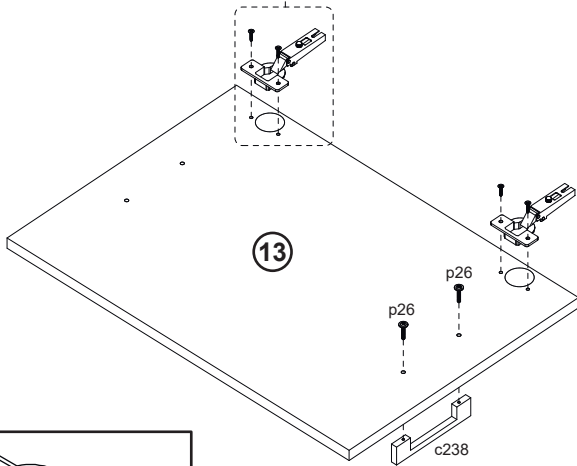
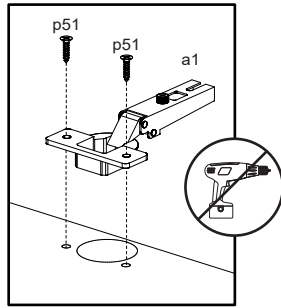
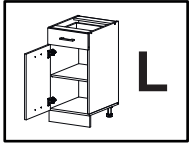
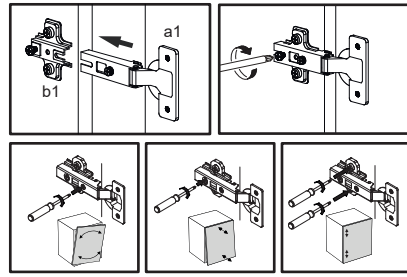
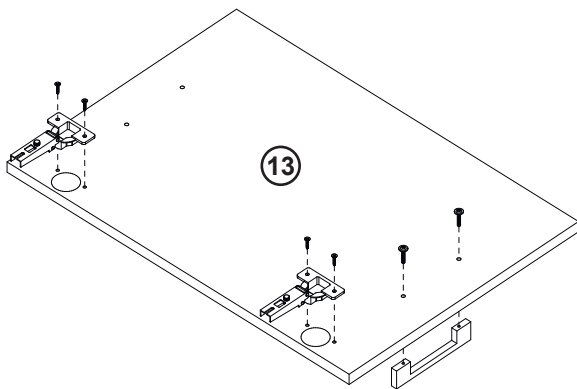
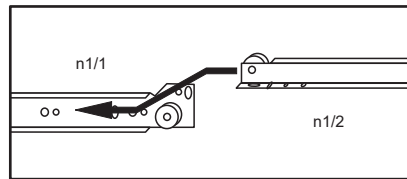
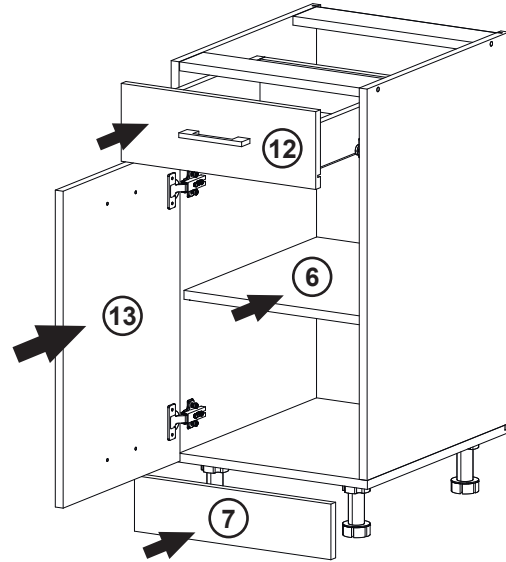
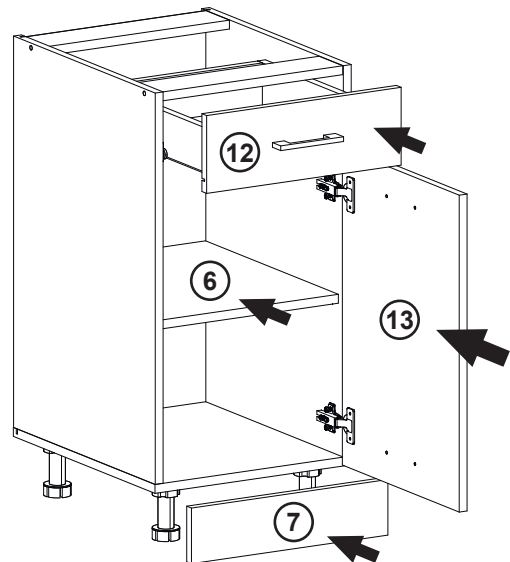
1x 4mm z1	12x Ø 6,3x50mm e27	12x Ø 12mm s3
8x Ø 8x30mm f1	4x 45mm r23	4x Ø 15x12mm r1
4x Ø 20mm s1	2x Ø 35mm ab1	4x Ø 5mm d1
1x L=400mm n1/1	1x L=400mm n1/2	2x L=96/128mm c238
4x h=100mm k52	2x u1	7x 10x10x15mm i2
10x Ø 2x20mm g1	24x Ø 3x16mm p50	4x Ø 3,5x16mm p51
4x Ø 4x25mm p26		4x Ø 6x13mm e1

A	B (mm)		C	D
1	704	480	16	x1 5/8
2	704	480	16	x1 5/8
3	367	80	16	x2 5/8
4	400	480	16	x1 5/8
5	710	382	2.5	x1 5/8
6	366	450	16	x1 5/8
7	400	100	16	x1 5/8
8	400	80	16	x1 5/8
9	400	80	16	x1 5/8
10	311	80	16	x1 5/8
11	406	342	2.5	x1 5/8
12	396	140	16	x1 8/8
13	570	396	16	x1 8/8

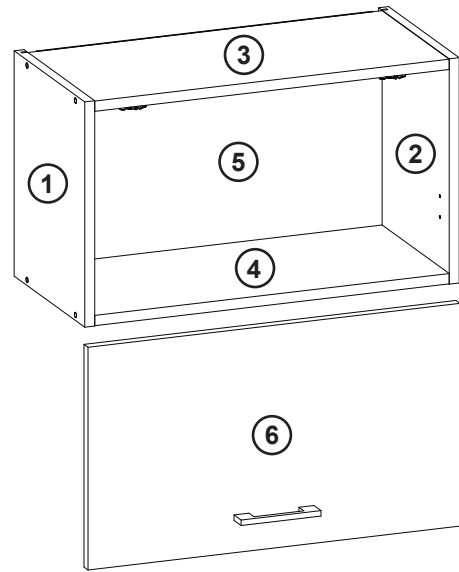
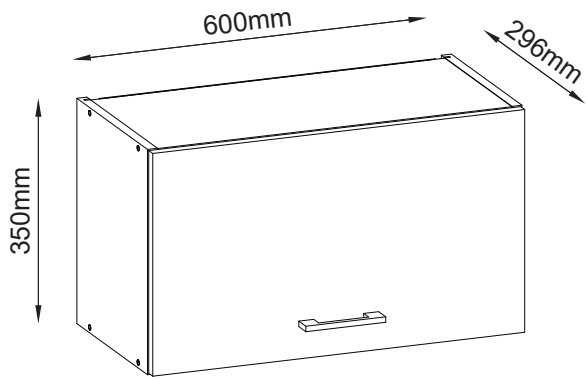


6

a1 x 2  Ø 35mm	p51 x 4  Ø 3,5x16mm	c238 x 1  L=96/128mm	p26 x 2  Ø 4x25mm
---	--	---	--

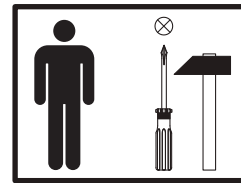
**7****L****R**

ESPERO Wo60_35

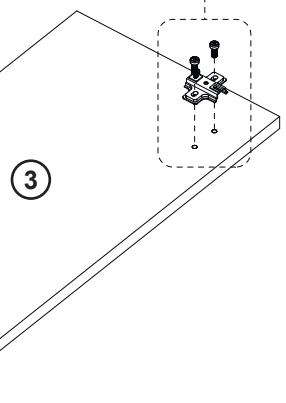
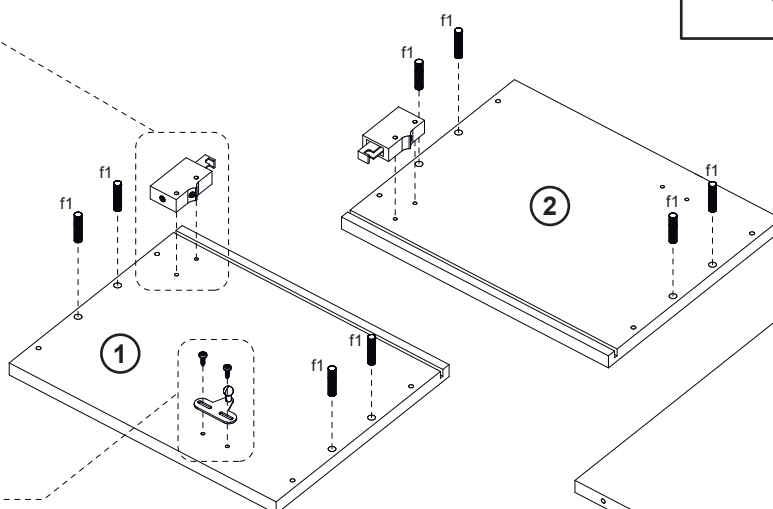
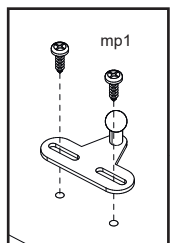
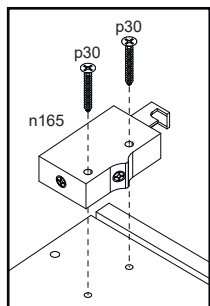
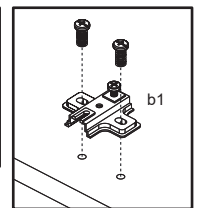
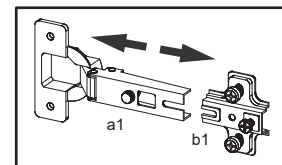


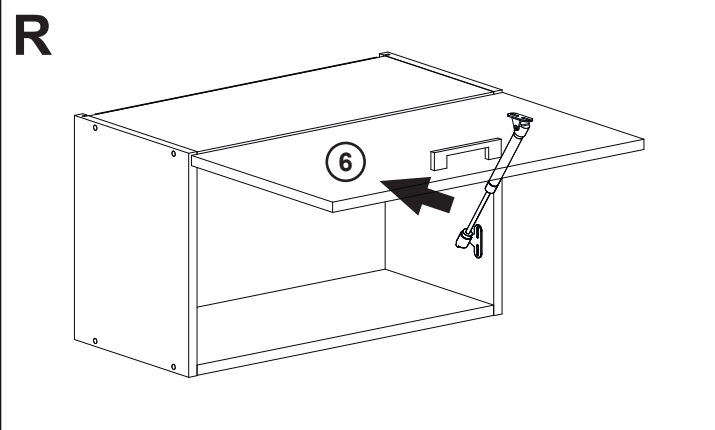
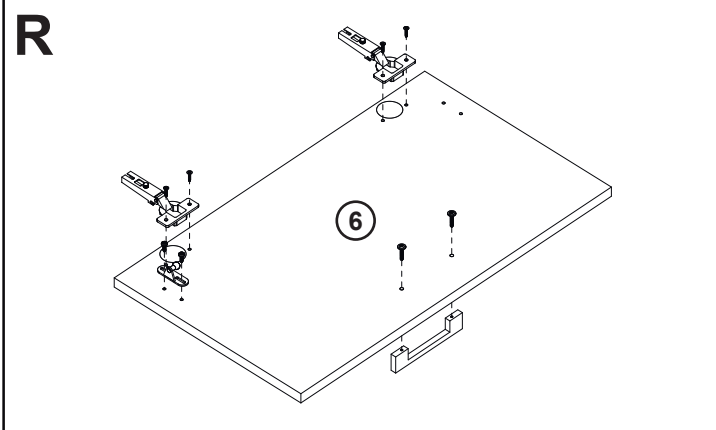
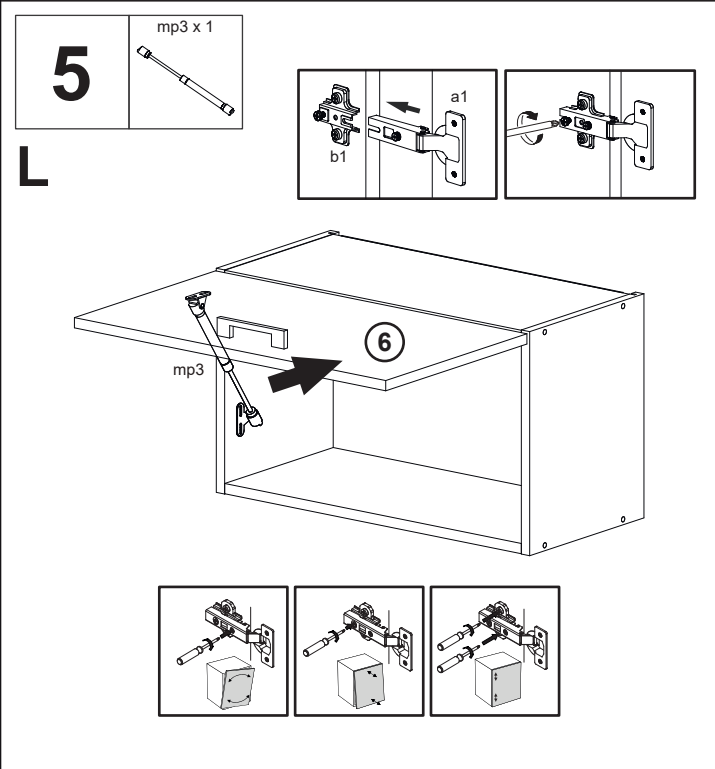
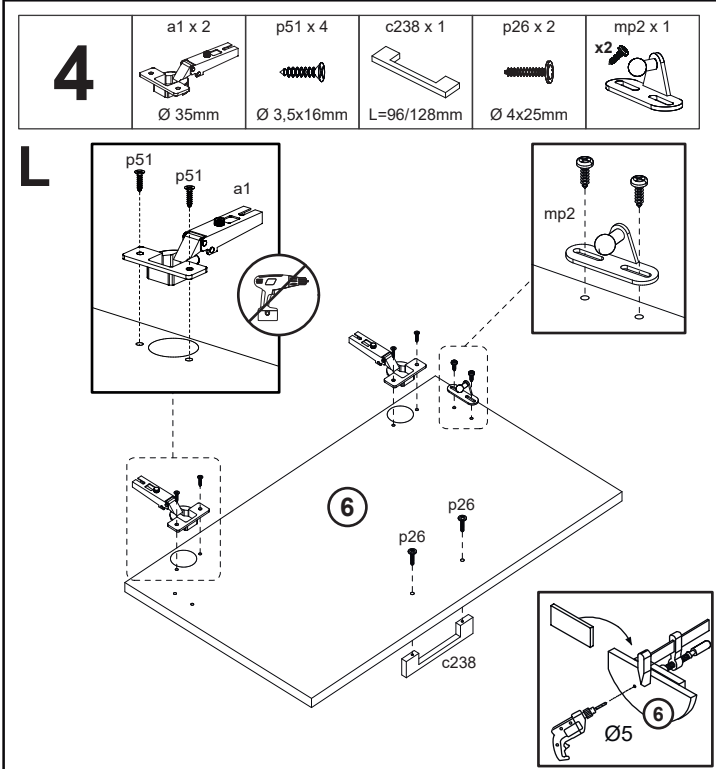
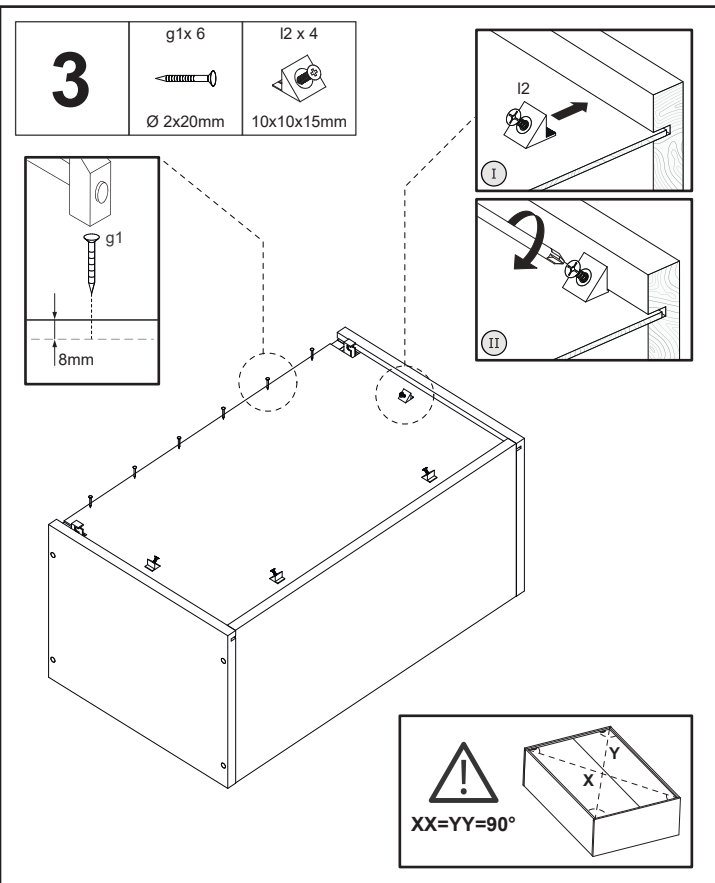
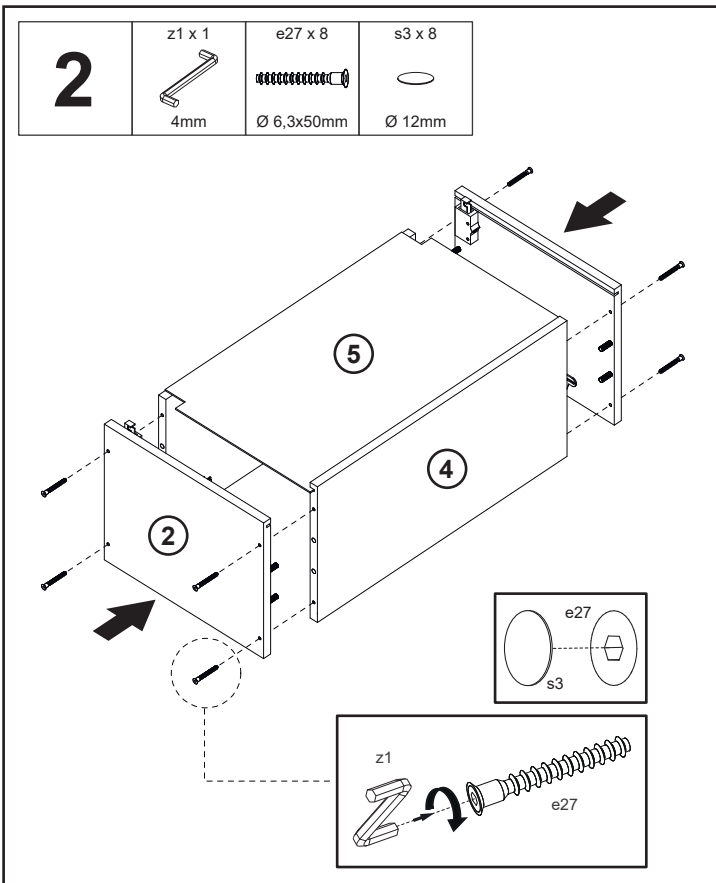
1x 4mm z1	8x Ø 6,3x50mm e27	8x Ø 12mm s3
8x Ø 8x30mm f1	2x Ø 35mm ab1	1x x4 mp
2x n165	1x L=96/128mm c238	4x 10x10x15mm l2
6x Ø 2x20mm g1	4x Ø 3,5x16mm p51	2x Ø 4x25mm p26
	4x Ø 4x30 mm p30	

A	B (mm)		C	D
1	350	280	16	x1 6/8
2	350	280	16	x1 6/8
3	568	266	16	x1 6/8
4	568	280	16	x1 6/8
5	582	340	2.5	x1 6/8
6	596	346	16	x1 8/8

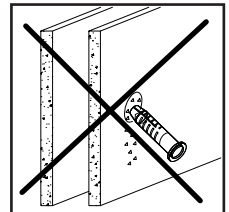
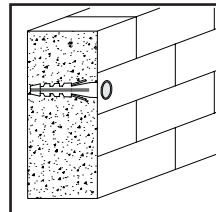
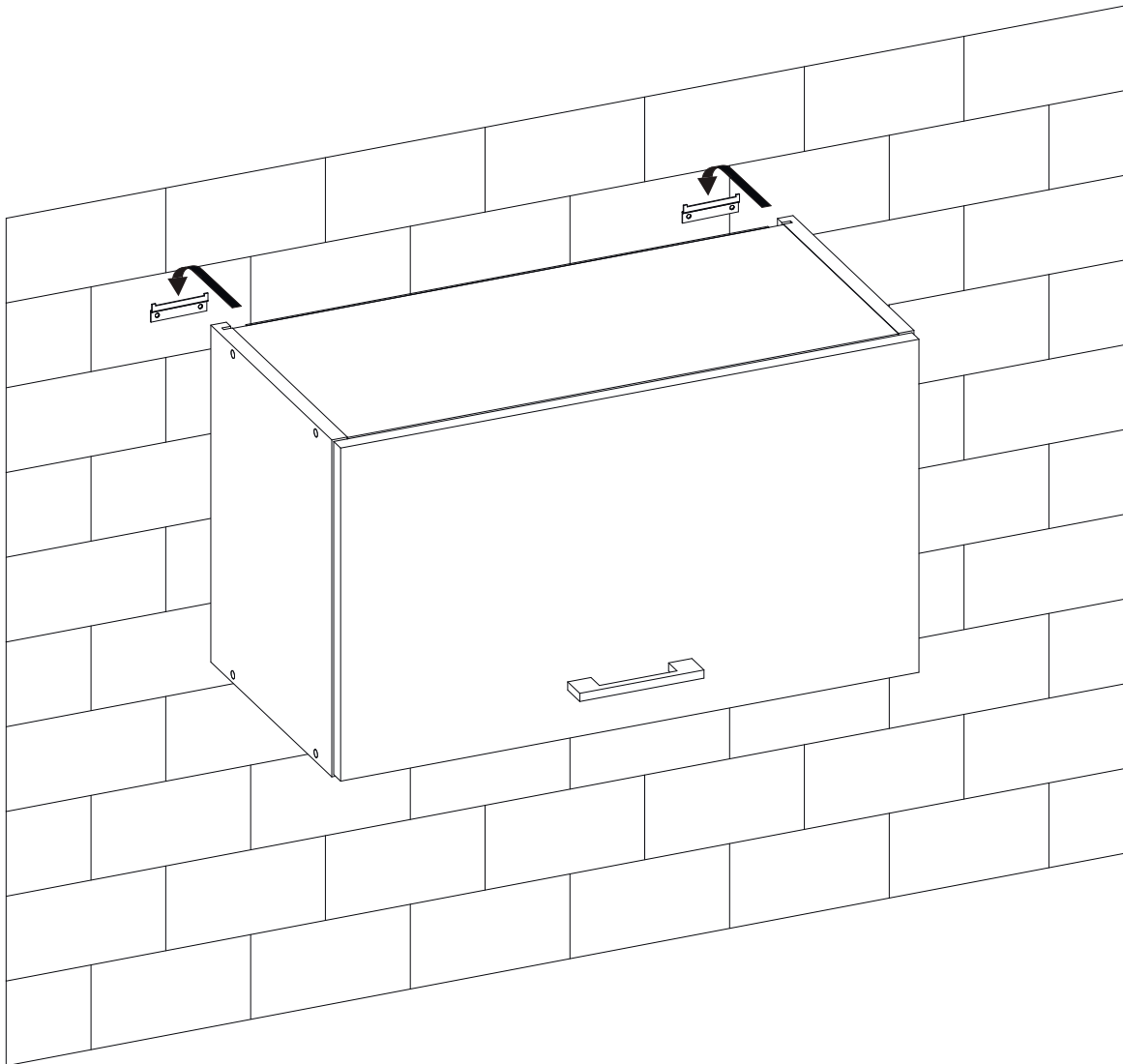
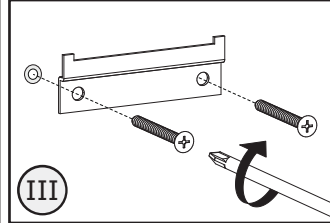
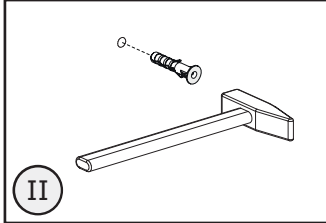
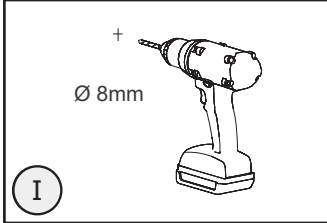


1	n165 x 2 	p30 x 4 Ø 4x30mm 	mp1 x 1 x2 	b1 x 2 40x50x12mm 	f1 x 8 Ø 8x30mm
----------	--------------	-------------------------	-------------------	--------------------------	------------------------

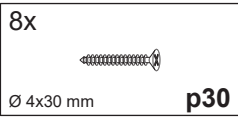
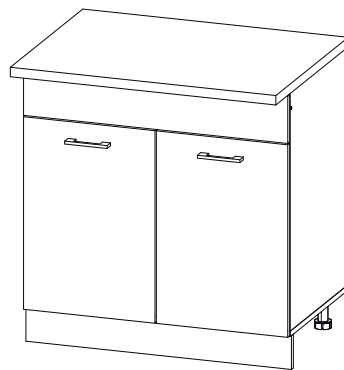
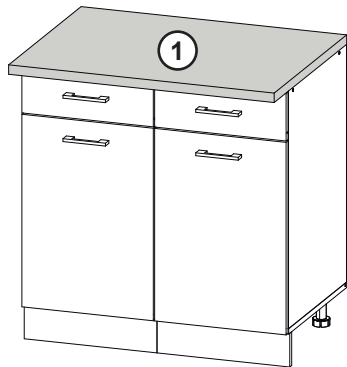
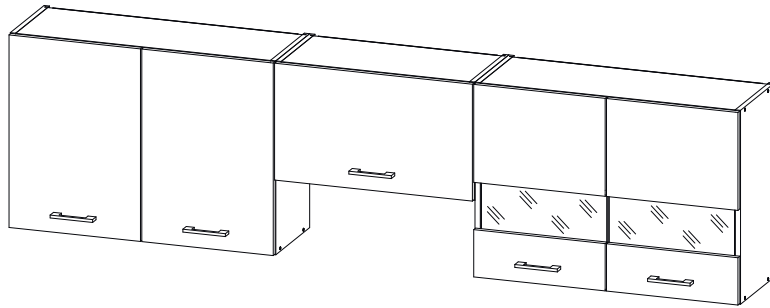




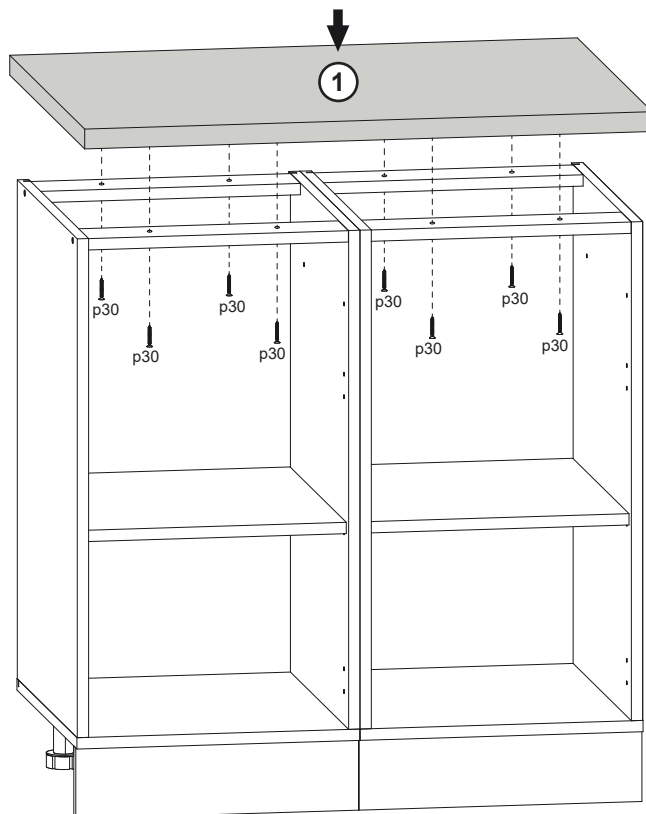
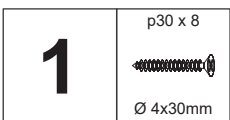
6



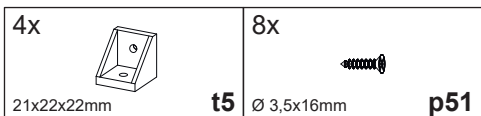
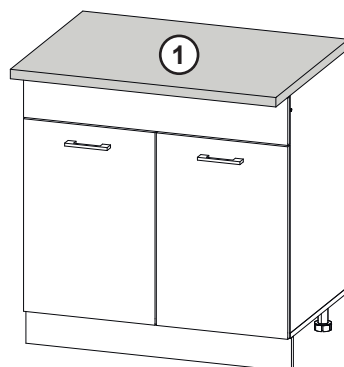
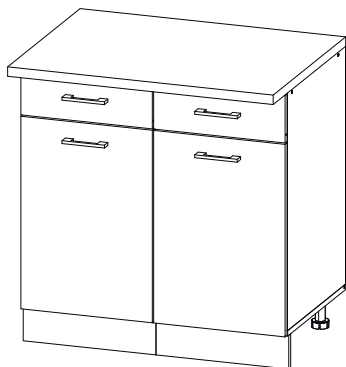
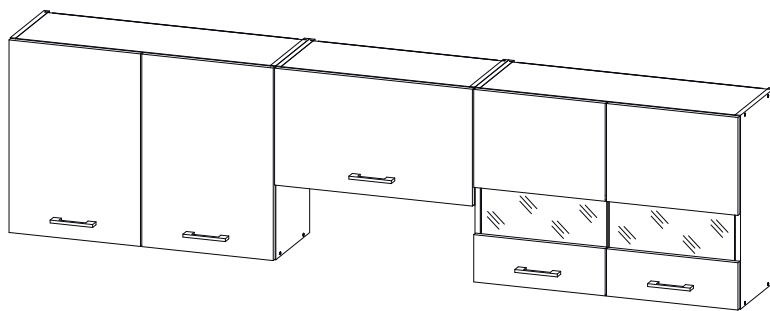
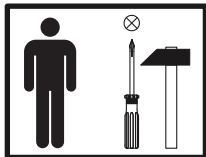
ESPERO Worktop 80



A	B (mm)			C	D
1	800	600	28	x1	7/8



ESPERO Worktop 80



A	B (mm)	C	D
1	800	28	7/8

