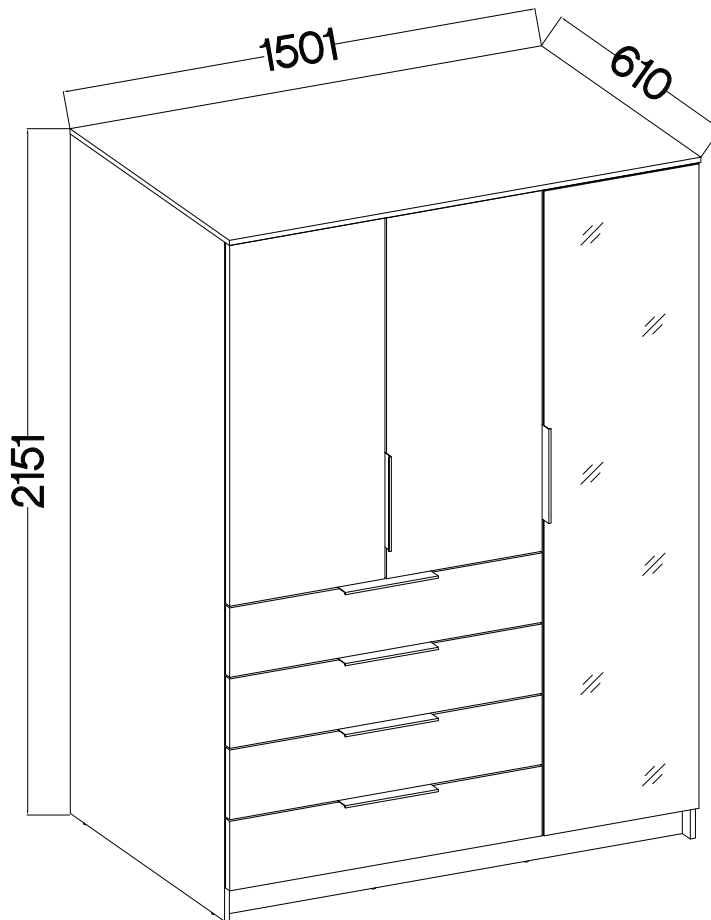
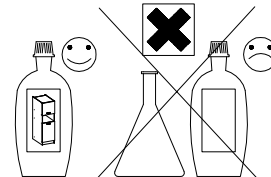
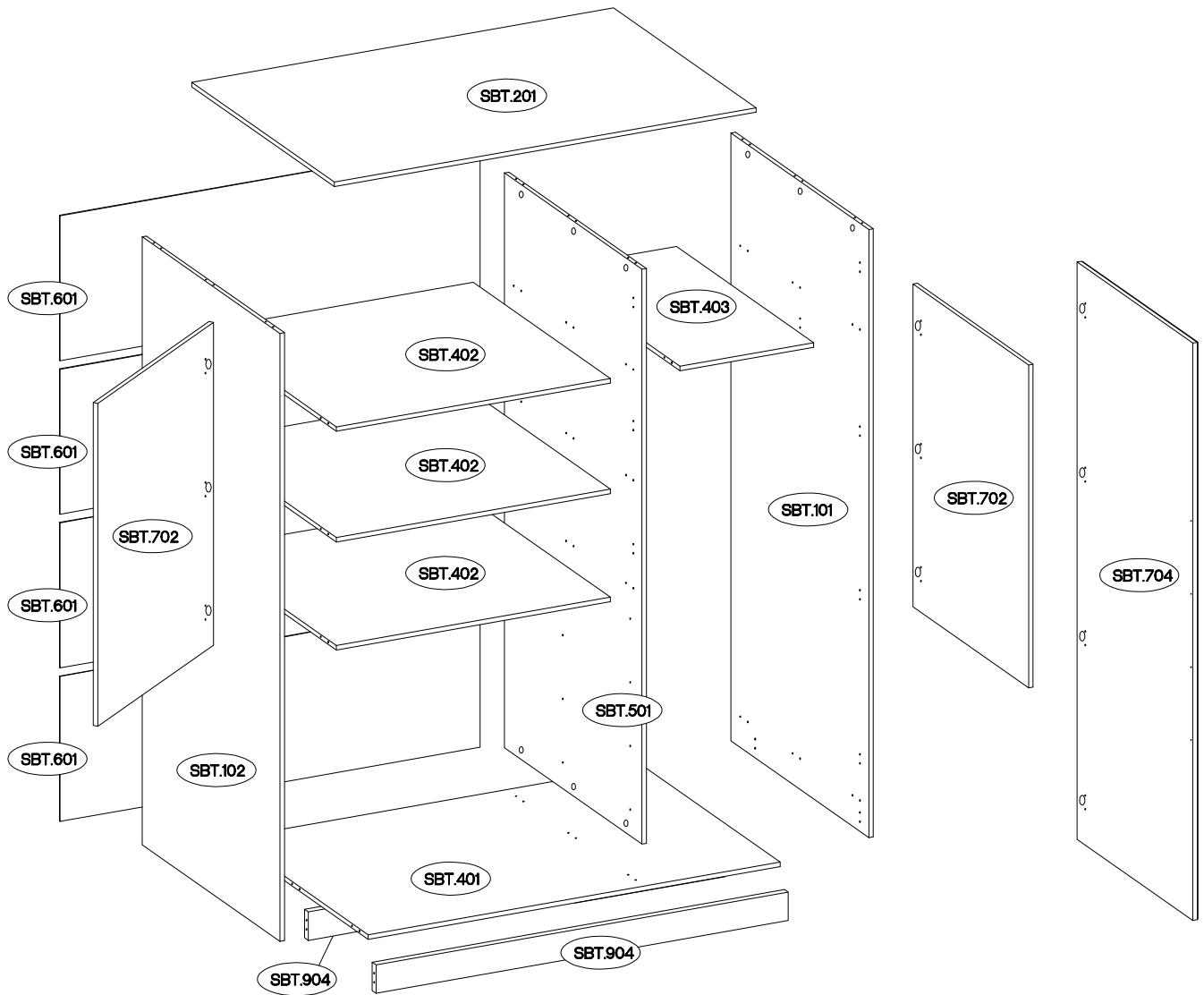




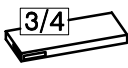
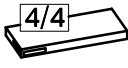
120 min

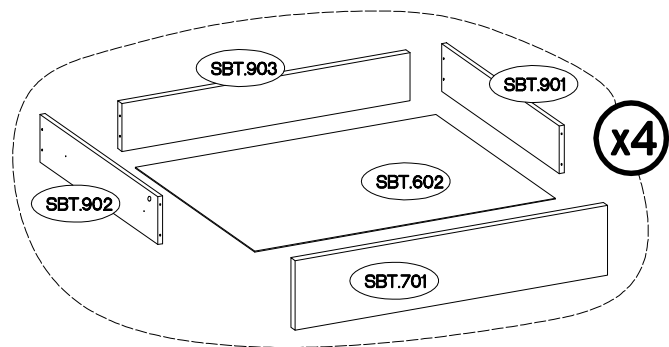
Bogota 150



<p>†8x60mm A2 3</p>	<p>†8x35mm A6 52</p>	<p>6,4 x 50mm B 16</p>	<p>†15/12mm C 50</p>	<p>L=30mm D 44</p>	<p>L=76mm D6 3</p>						
<p>kolor E 27</p>	<p>białe E 8</p>	<p>†15x5mm F4 6</p>	<p>†35/0mm HG 7</p>	<p>†35/9mm HG1 3</p>	<p>35/400MM I16 4</p>	<p>L=467mm J2 1</p>	<p>J17 2</p>	<p>L=450 mm K46 4</p>			
<p>L=1465mm L1 3</p>	<p>L3 125-130</p>	<p>75x30x15mm L19 1</p>	<p>†6,3x9,5mm M4 16</p>	<p>O 1</p>	<p>†10x50mm O7 1</p>	<p>†4.0x16mm P1 4</p>	<p>†3.5x13mm P5 60</p>	<p>†5.0x60mm P12 1</p>	<p>L=256mm S 6</p>	<p>T3 2</p>	



	Nr	[mm]
	SBT.201	1501x610x16
	SBT.401	1467x589x16
	SBT.402 x3	975x587x16
	SBT.403	476x587x16
	SBT904 x2	1467x100x16
	SBT.101	2130x590x16
	SBT.102	2130x590x16
	SBT.501	2014x588x16
	SBT.601 x4	1495x509x2,5
	SBT.602 x4	947x458x2,5
	SBT.901 x4	450x150x16
	SBT.902 x4	450x150x16
	SBT.903 x4	917x150x16
	SBT.702 x2	1131x495x16
	SBT.701 x4	218x995x16
	SBT.704	2023x495x16



max. 20kg SBT.401



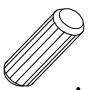


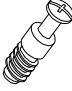


max. 5kg SBT.402

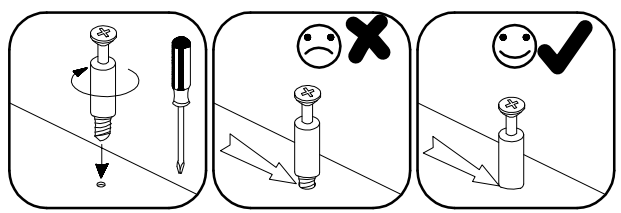
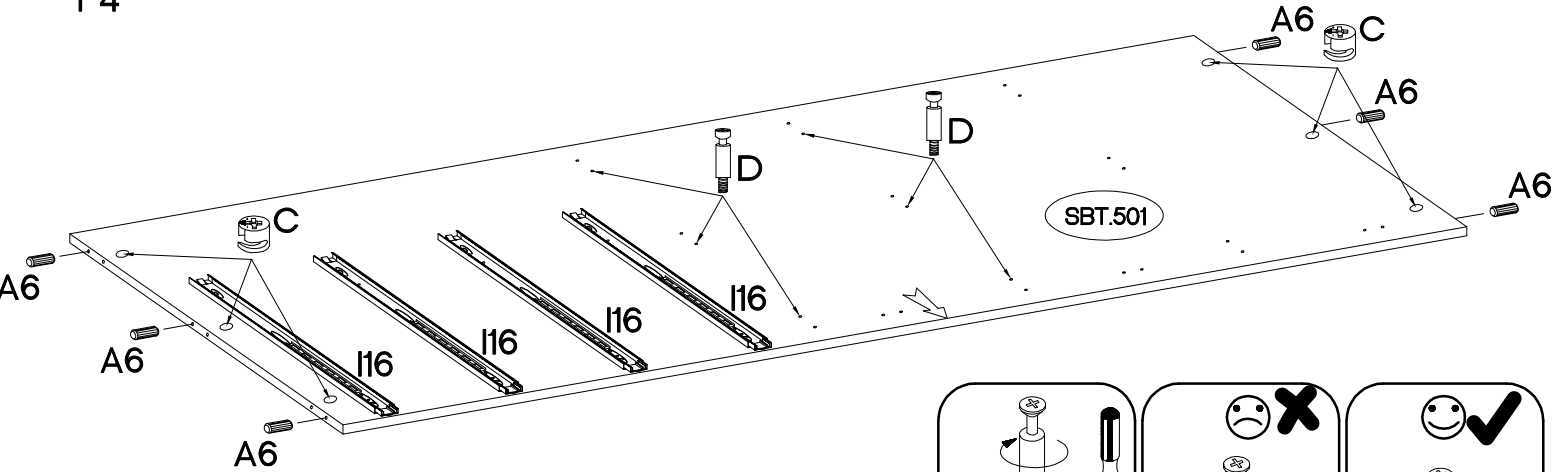
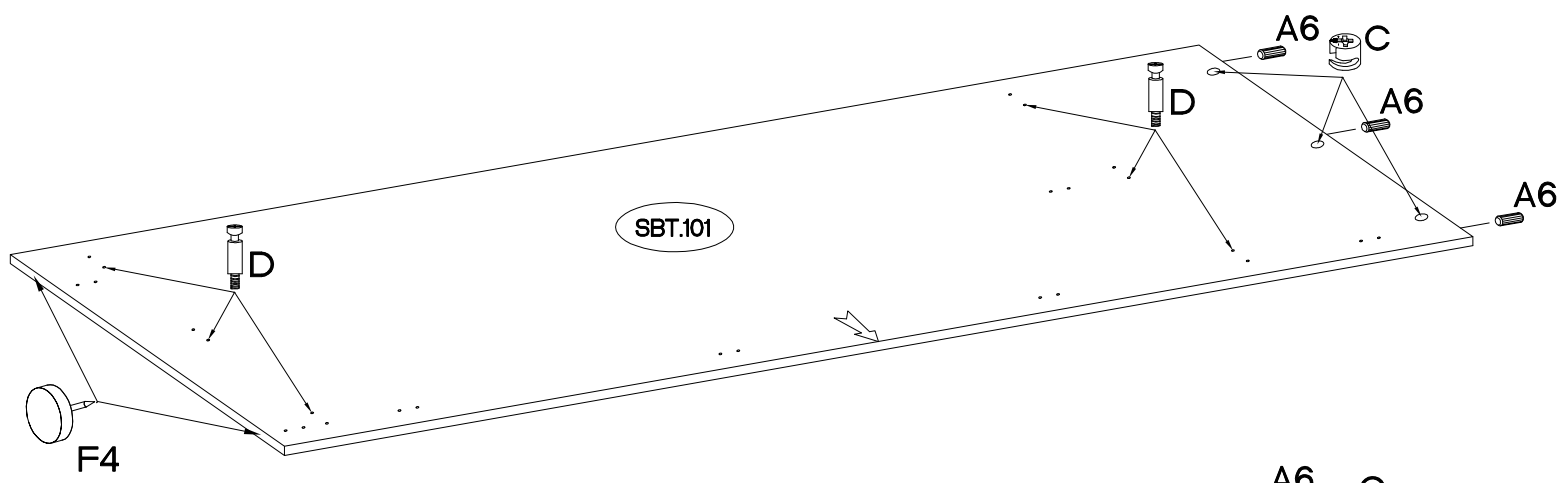
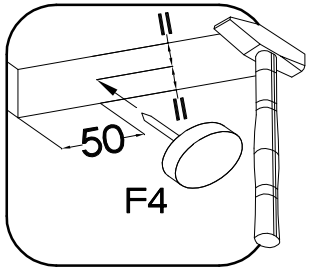
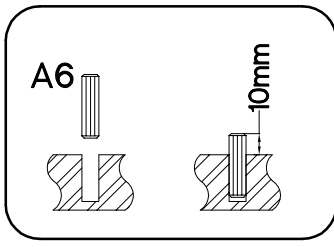
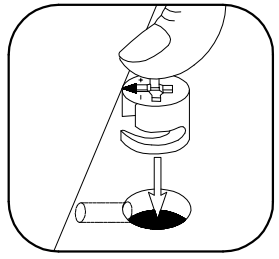
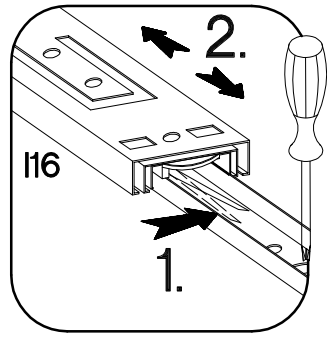
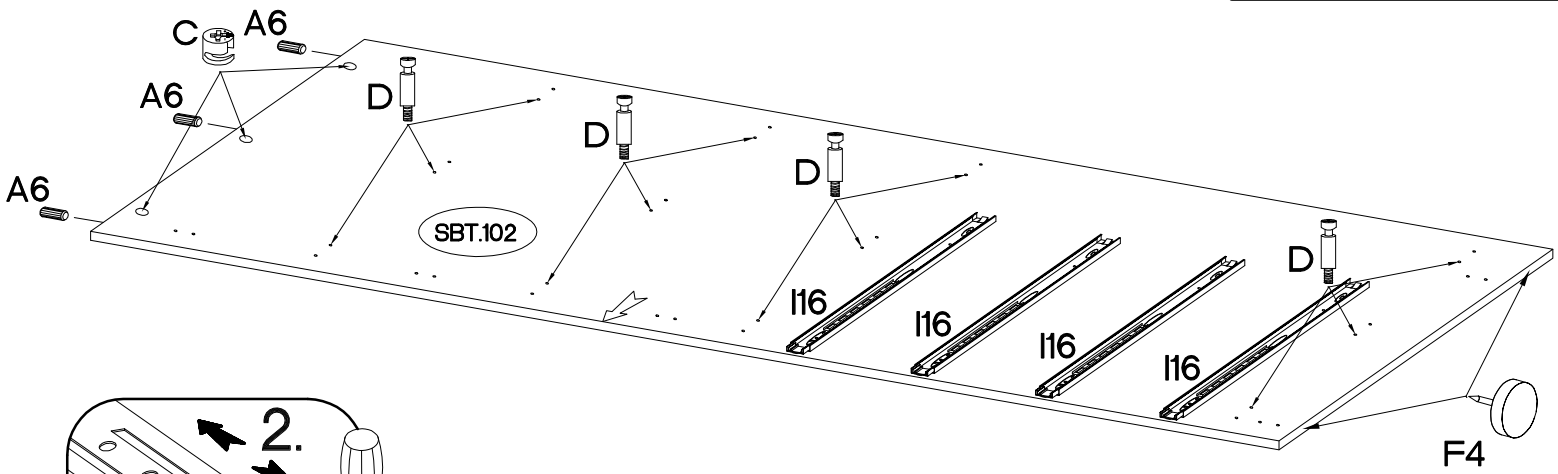
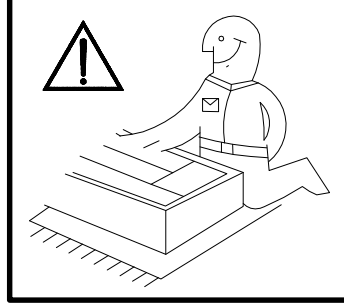
max. 5kg SBT.403



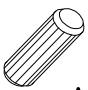
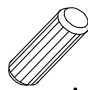


max. 3kg SBT.602

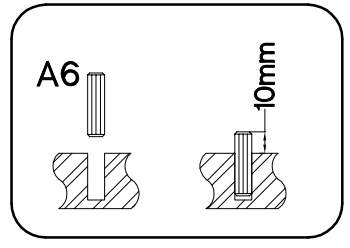
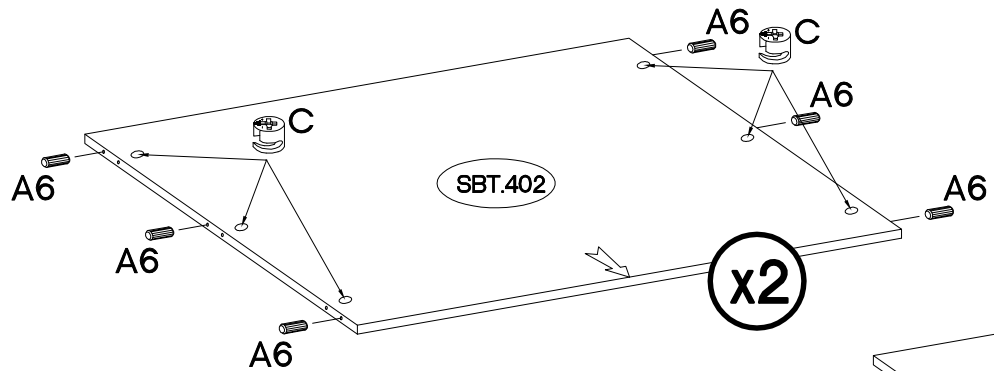
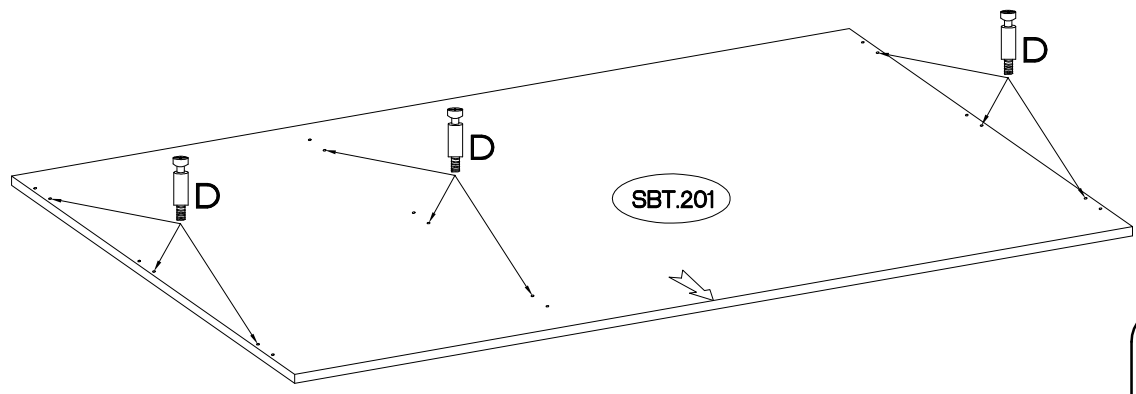
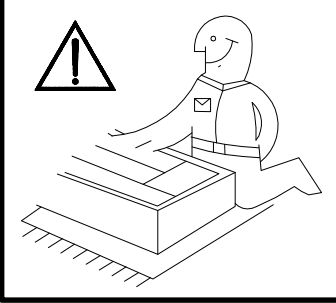
max. 3kg SBT.602

$\pm 8 \times 35 \text{mm}$  A6	$35/400 \text{MM}$  I16	$\pm 6,3 \times 9,5 \text{mm}$  M4	$L=30 \text{mm}$  D	$\pm 15/12 \text{mm}$  C	$\pm 15 \times 5 \text{mm}$  F4
12	4	16	24	12	4

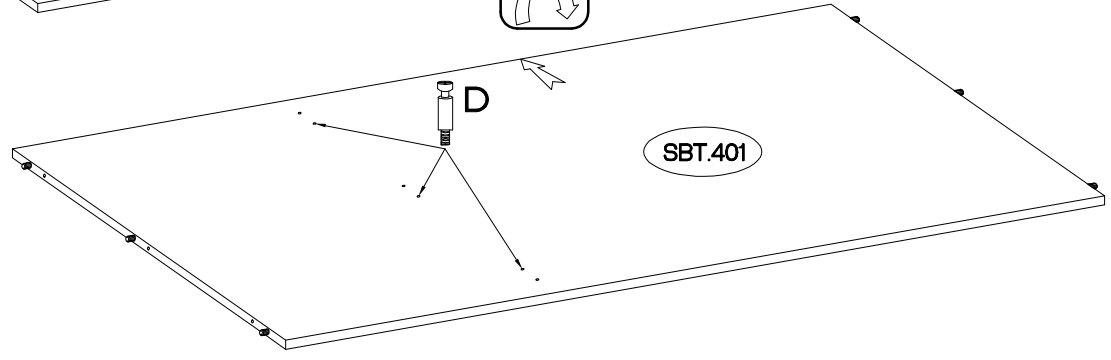
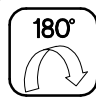
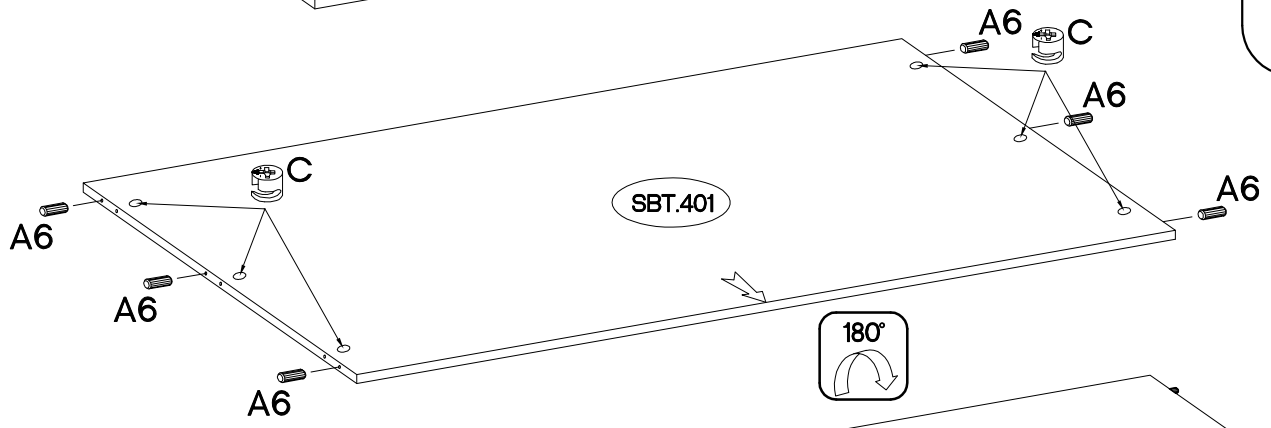
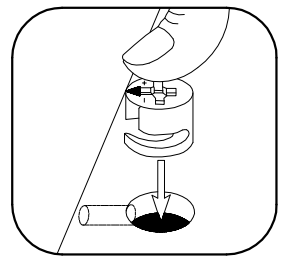
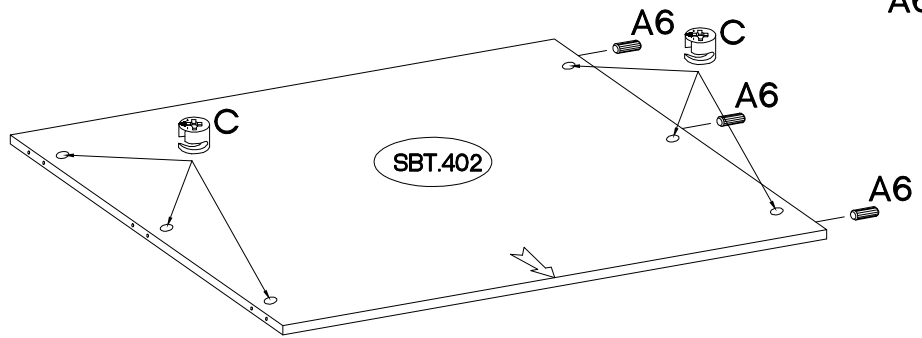
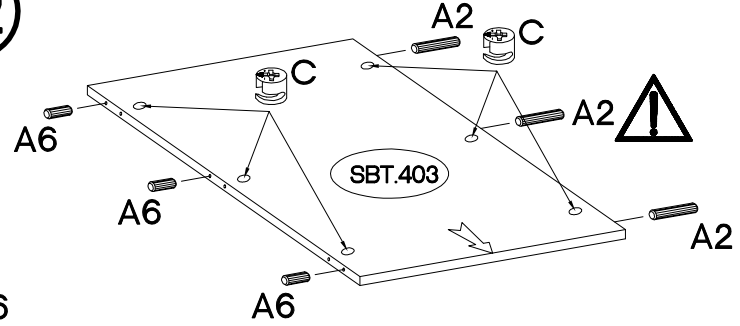


2

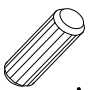

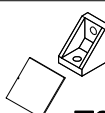

±8x35mm  A6 24	±8x60mm  A2 3	L=30mm  D 12	±15/12mm  C 30
---	--	---	---

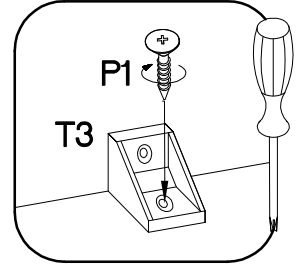
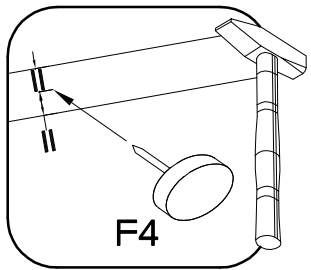
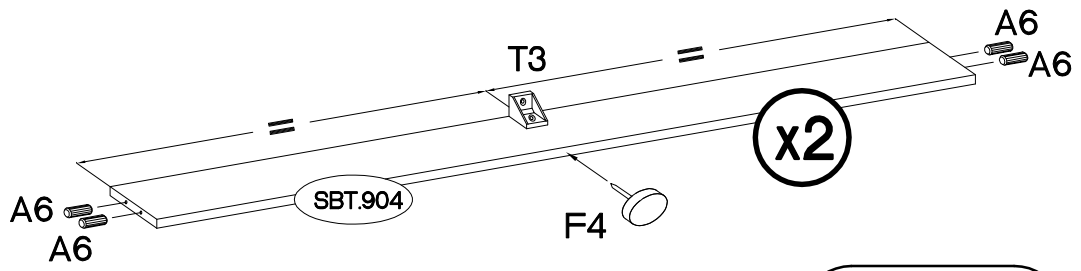
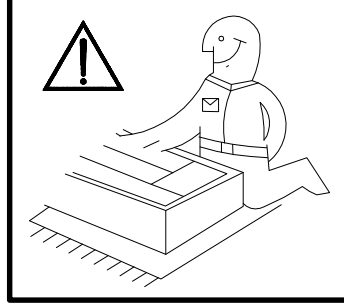


x2

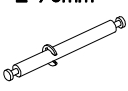


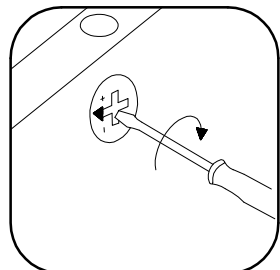
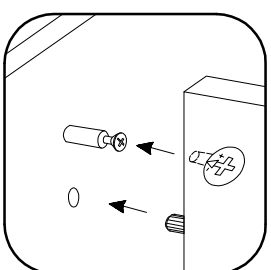
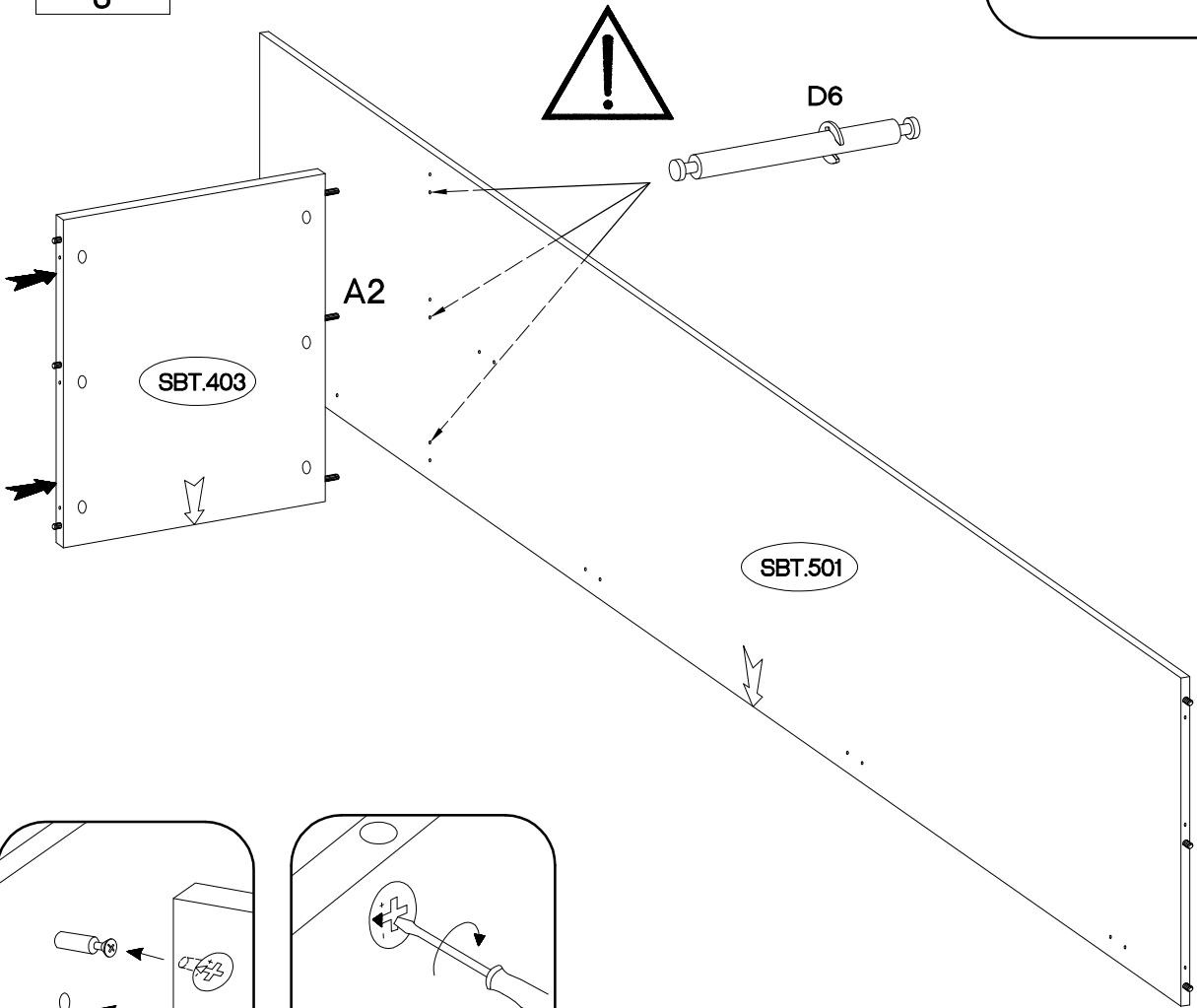
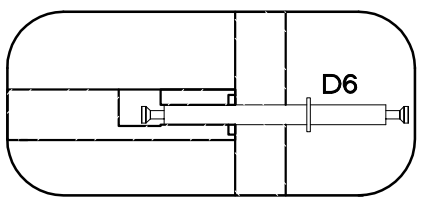
3

±8x35mm  A6 8	±15x5mm  F4 2	 T3 2	±4.0x16mm  P1 2
--	--	---	--

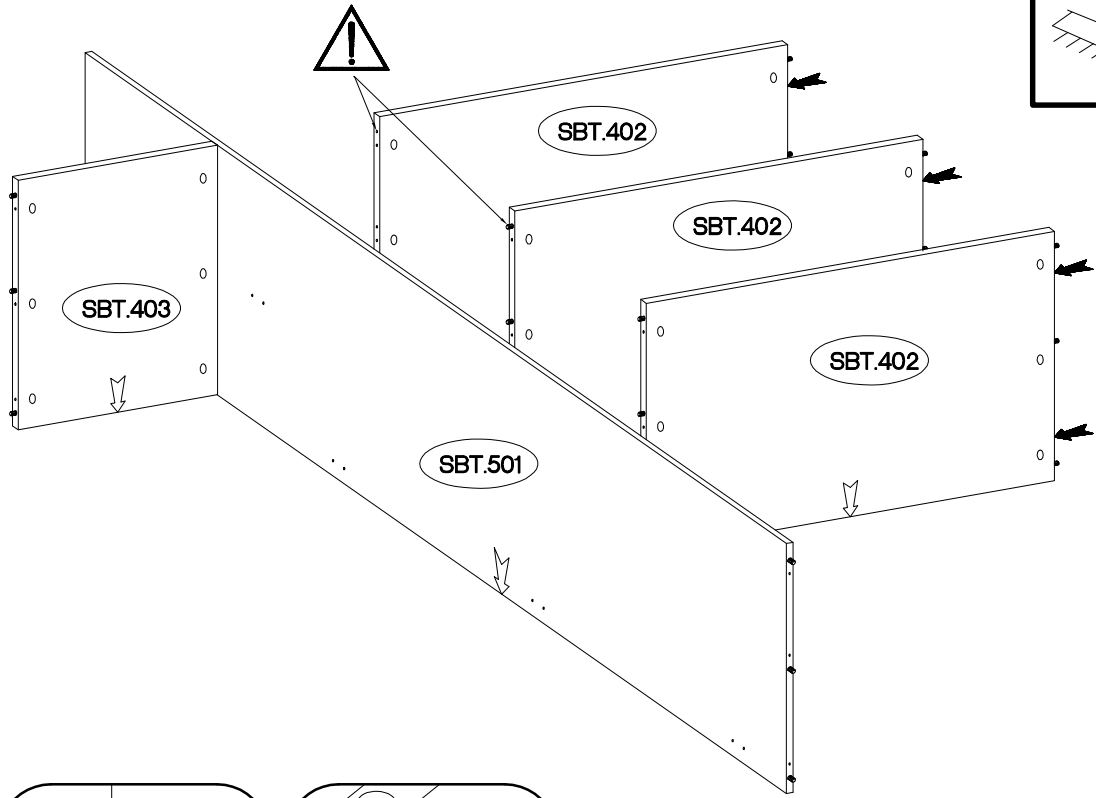
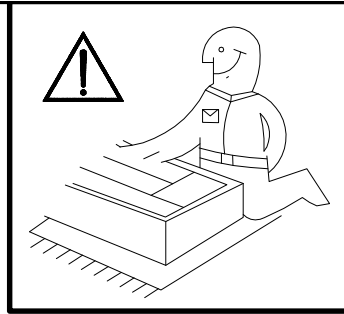


4

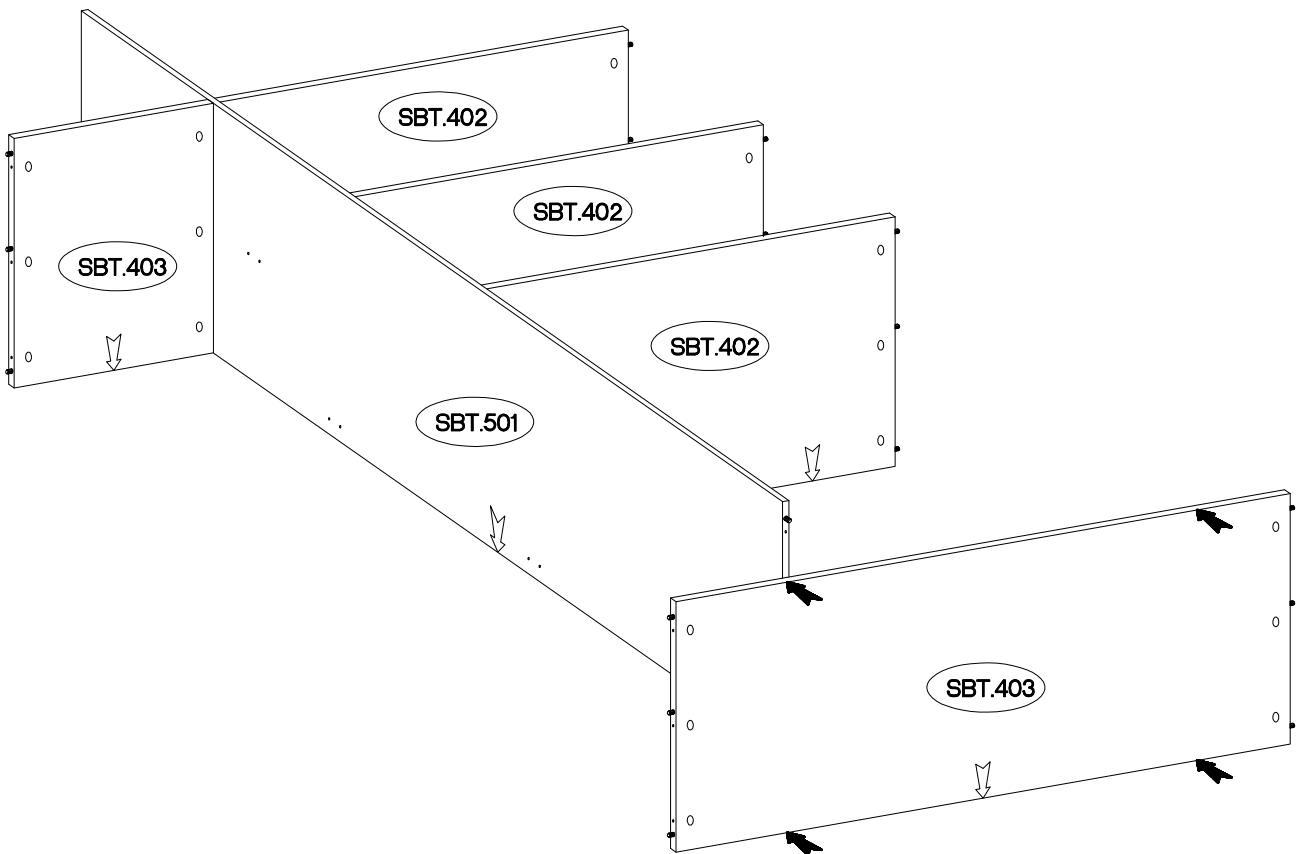
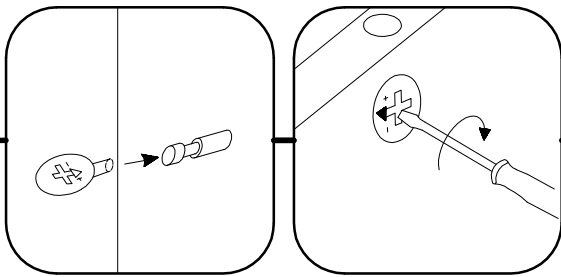
L=76mm  D6 3



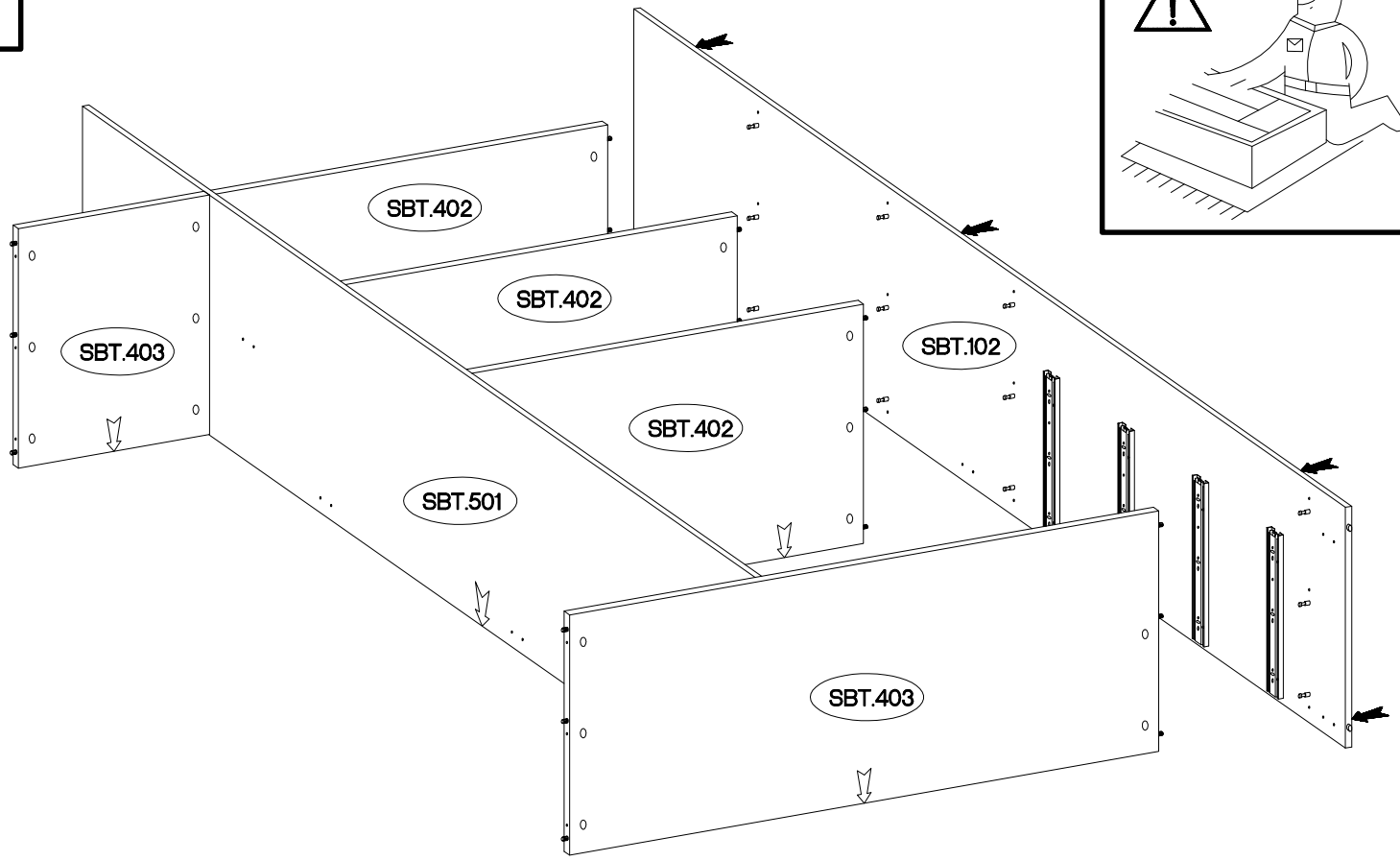
5



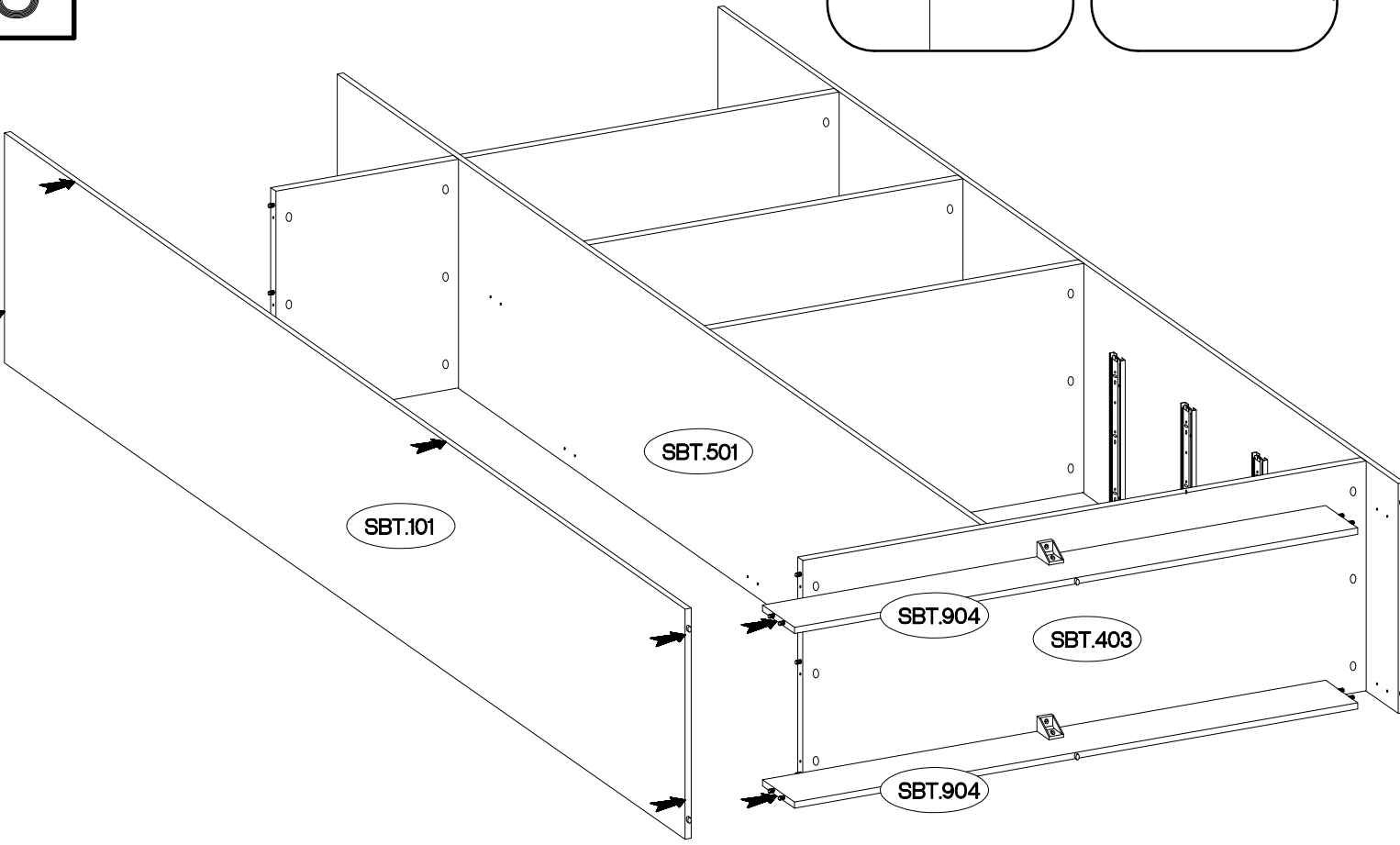
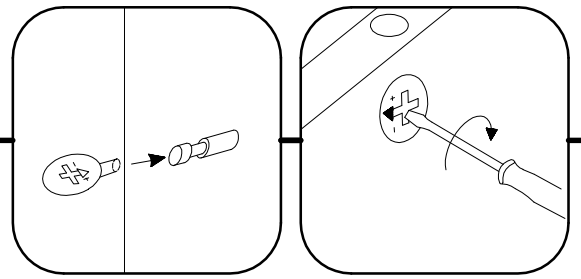
6



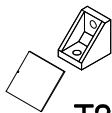
7

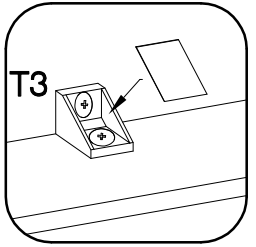
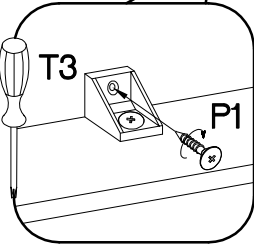
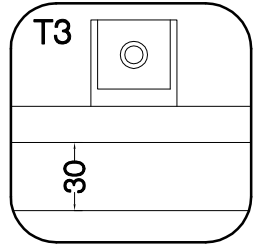
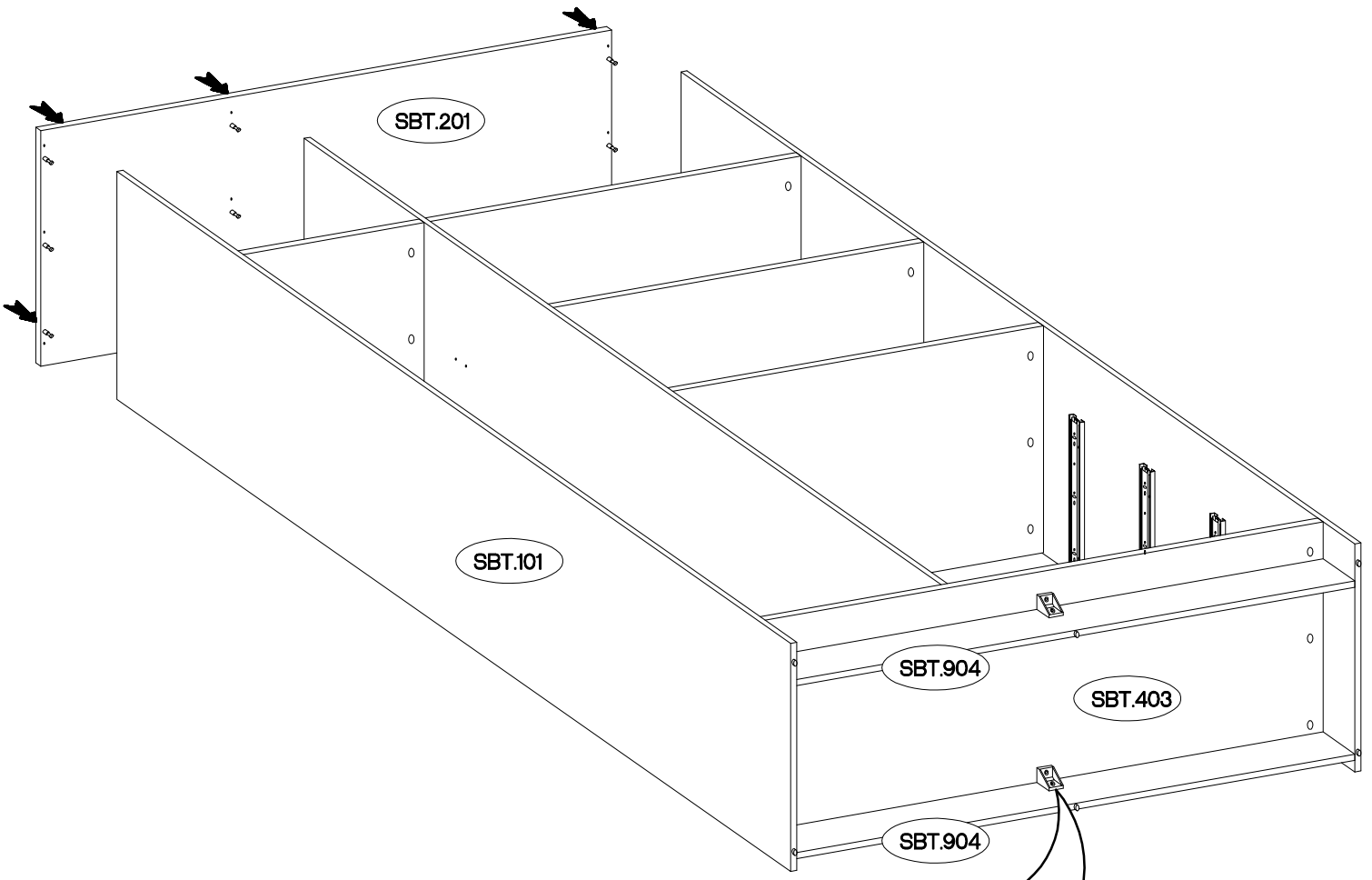
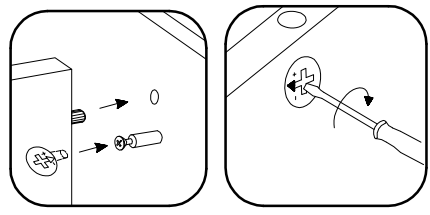
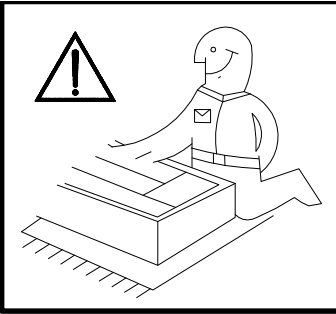


8

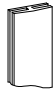



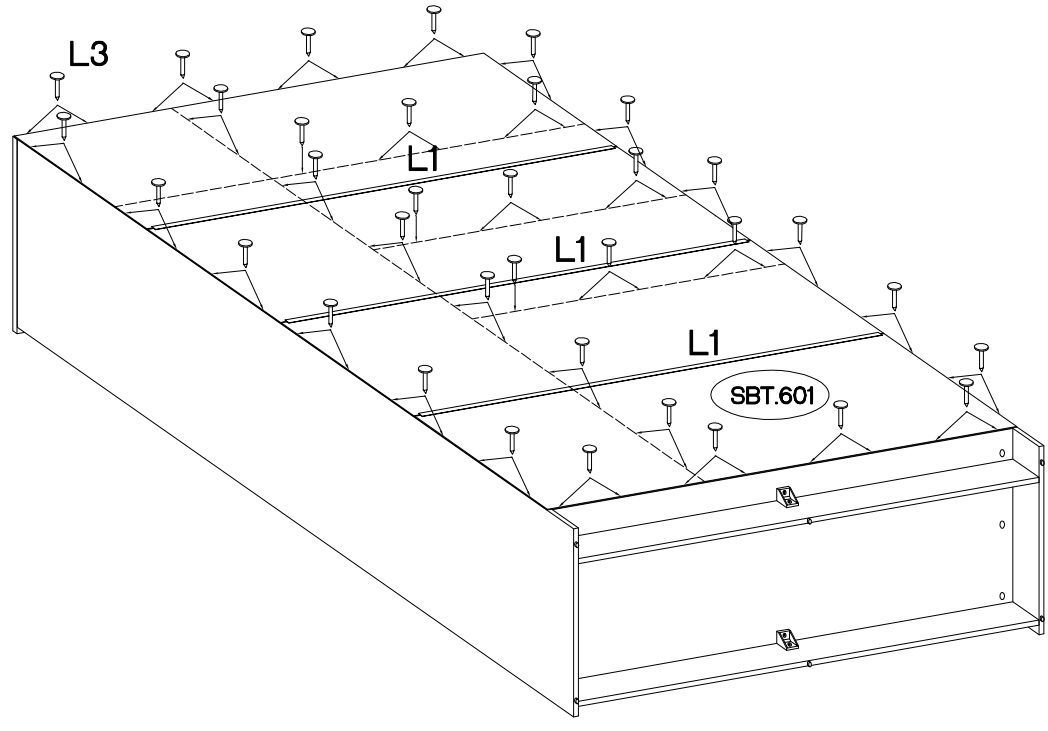
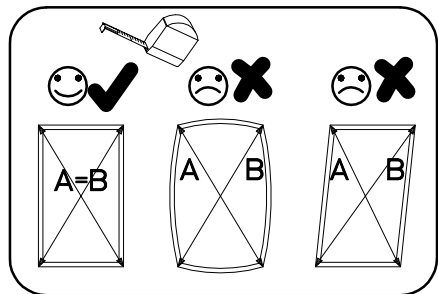
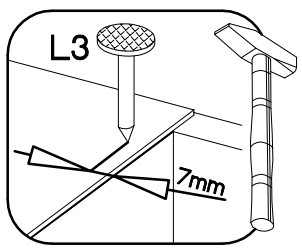
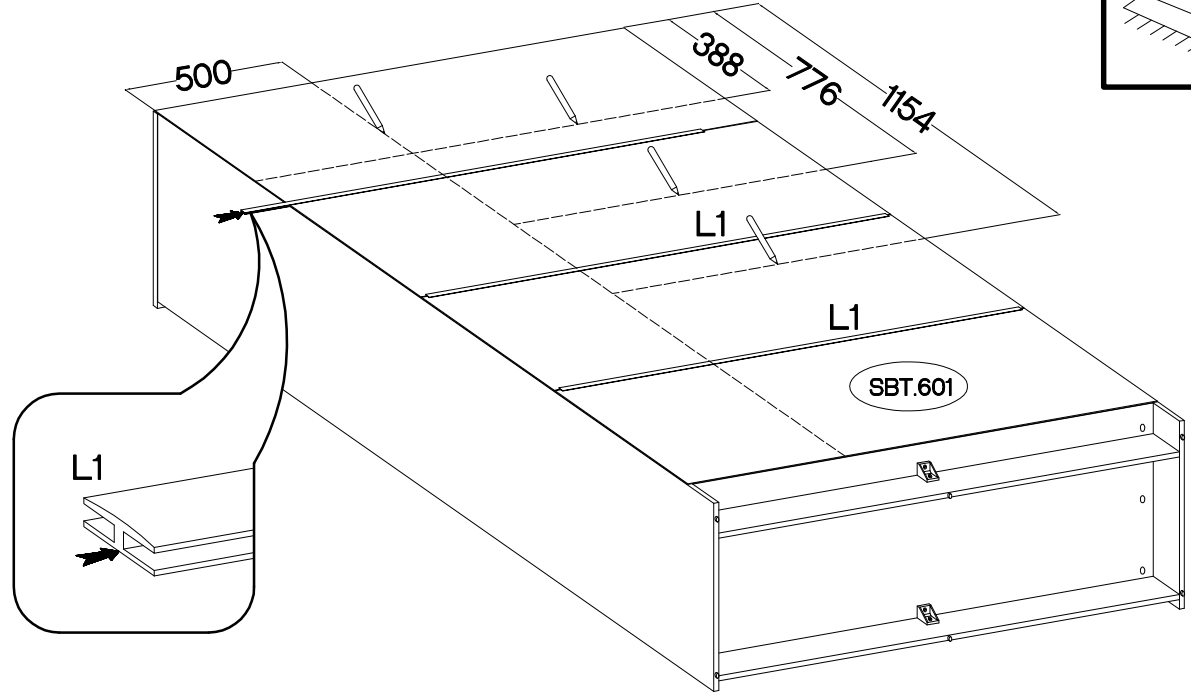
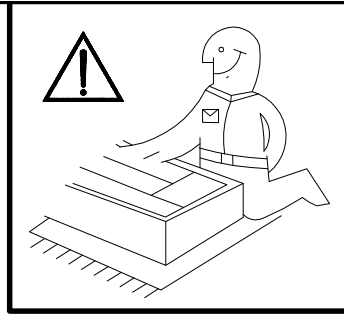
9


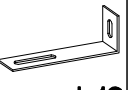





	$\pm 4.0 \times 16 \text{mm}$
T3	P1
2	2

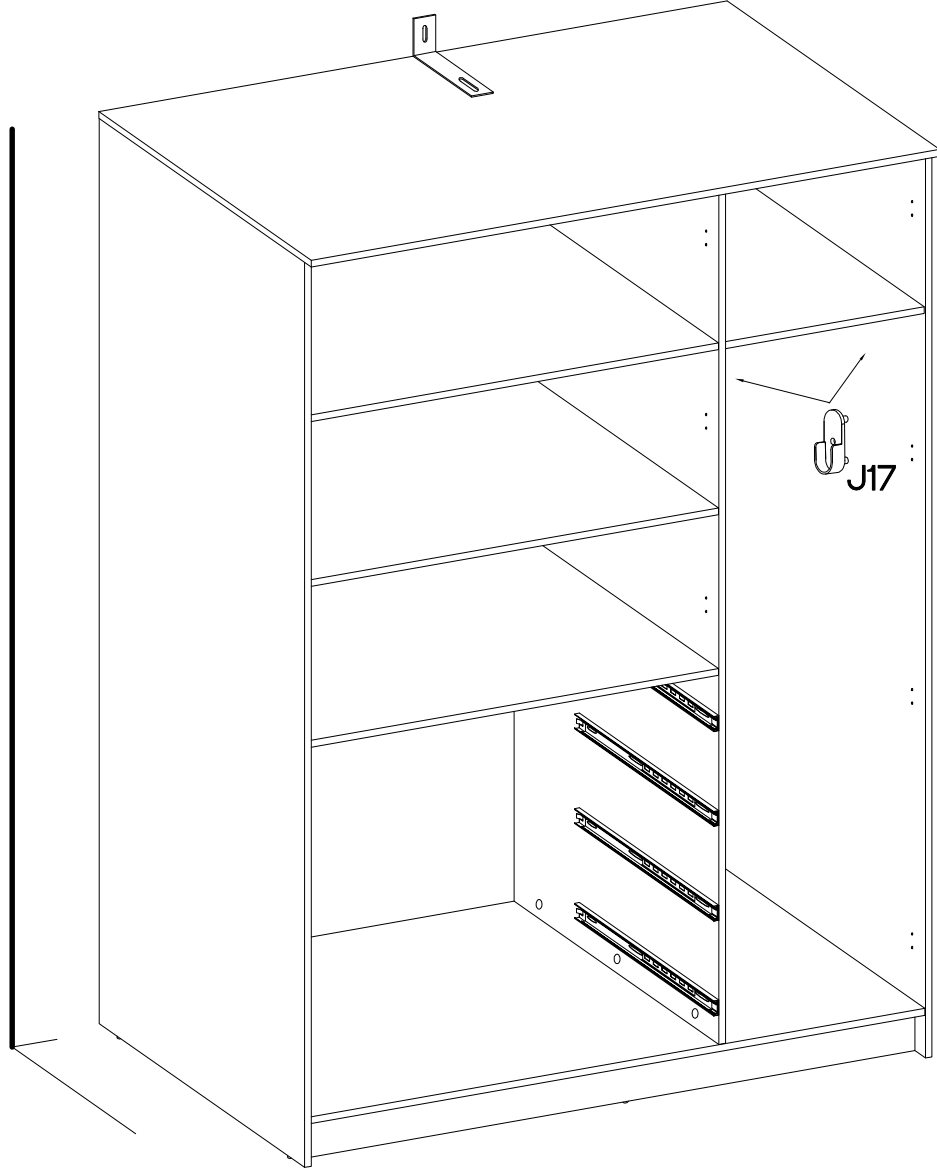
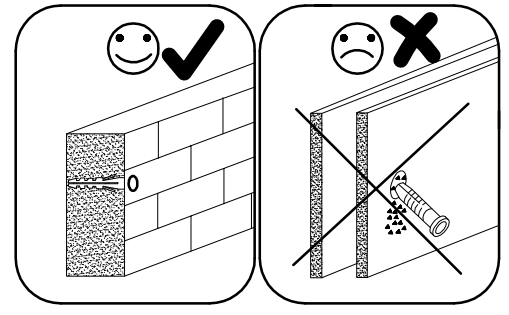


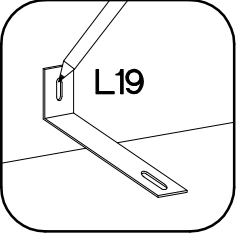
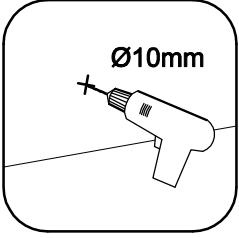
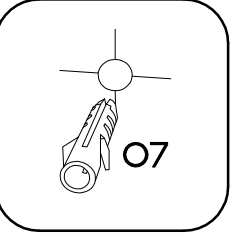
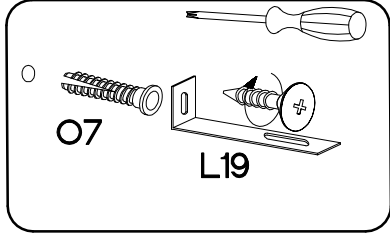
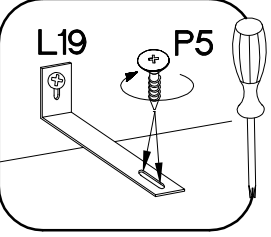
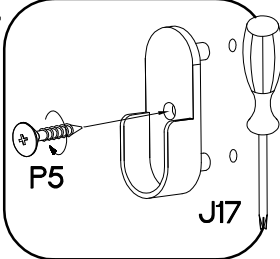
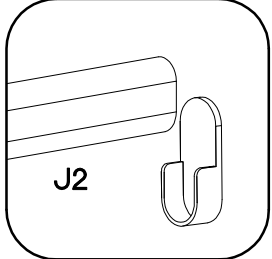
L=1465mm

 L1 3	 L3 65-70
---	---

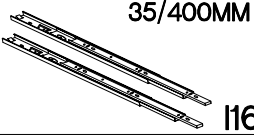





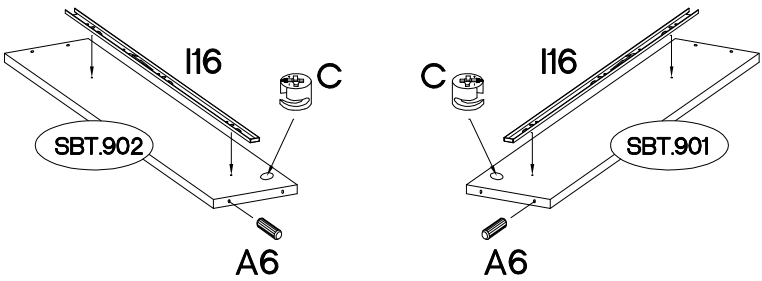
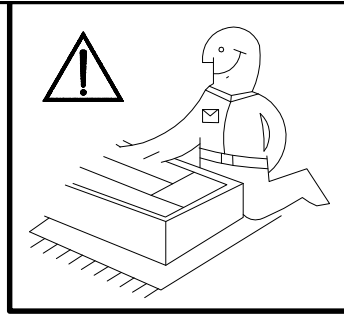
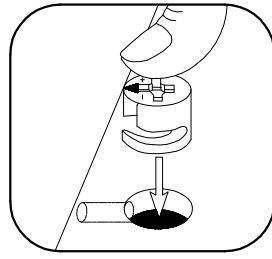
75x30x15mm	±3.5x13mm	±5.0x60mm	±10x50mm	L=467mm	
					
L19	P5	P12	O7	J2	J17
1	4	1	1	1	2



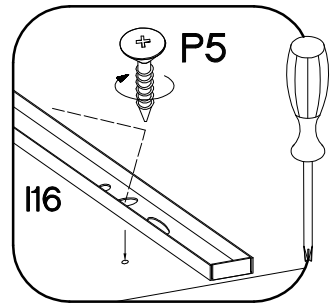
- 
- 
- 
- 
- 
- 
- 

12


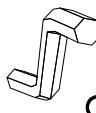
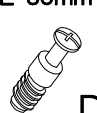
35/400MM  I16 4	+3.5x13mm  P5 16	+15/12mm  C 8	+8x35mm  A6 8
--	---	--	--

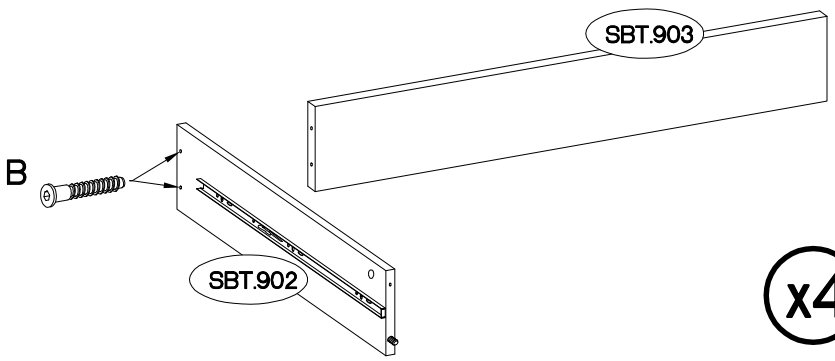
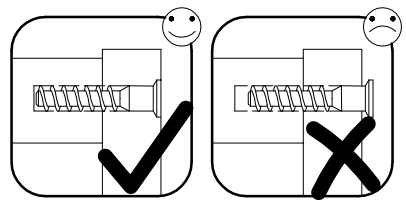


x4

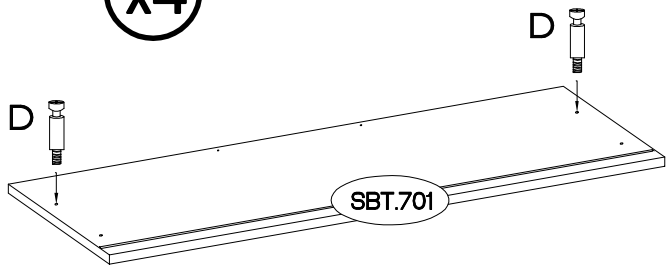
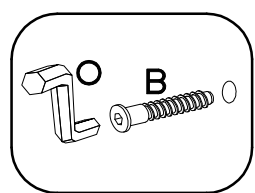


13


6,4 x 50mm  B 16	 O 1	L=30mm  D 8
--	---	---

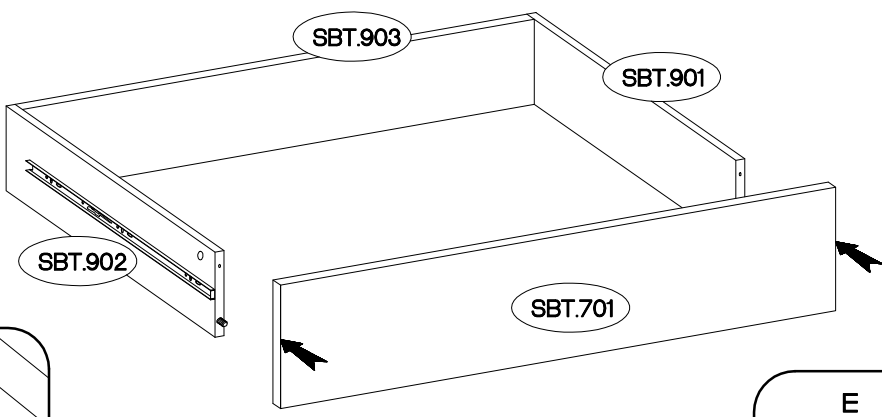


x4

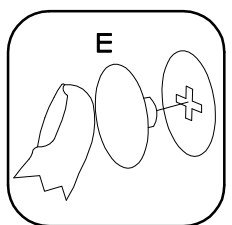
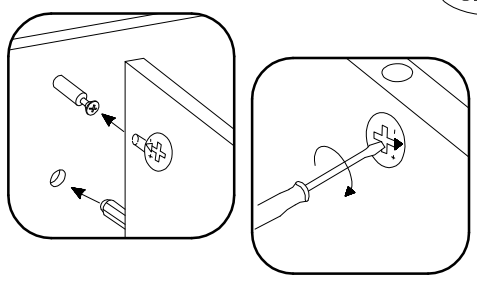


14

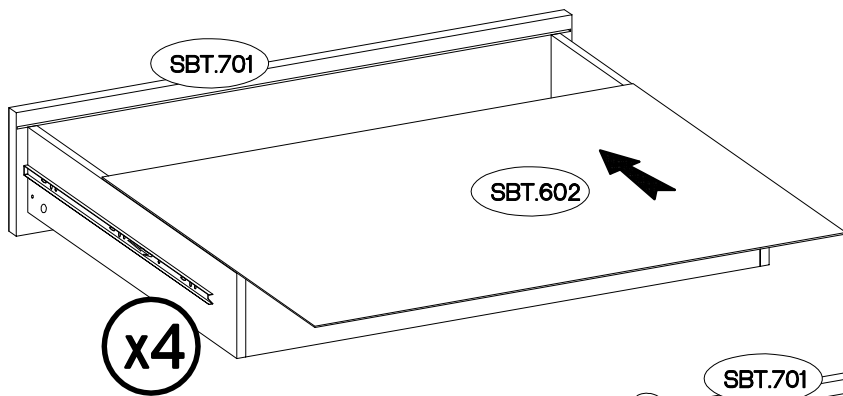
 E 8


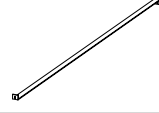


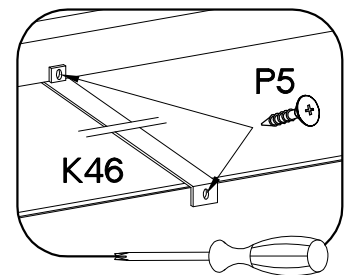
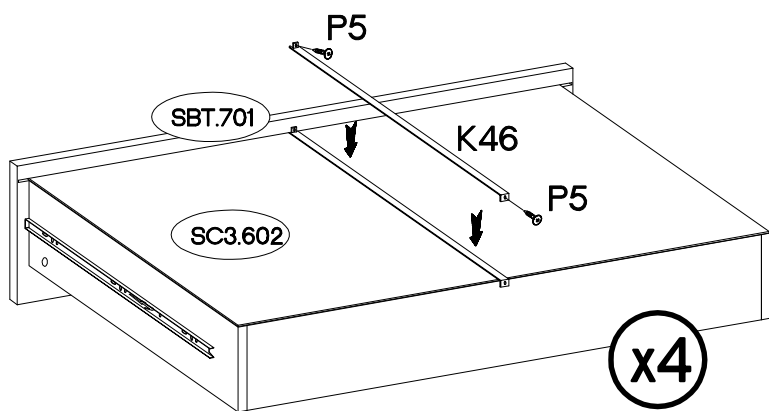
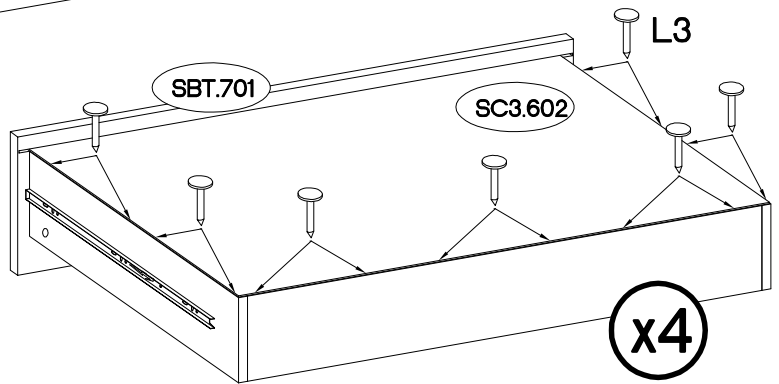
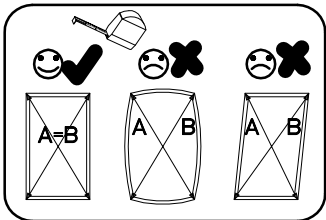
x4



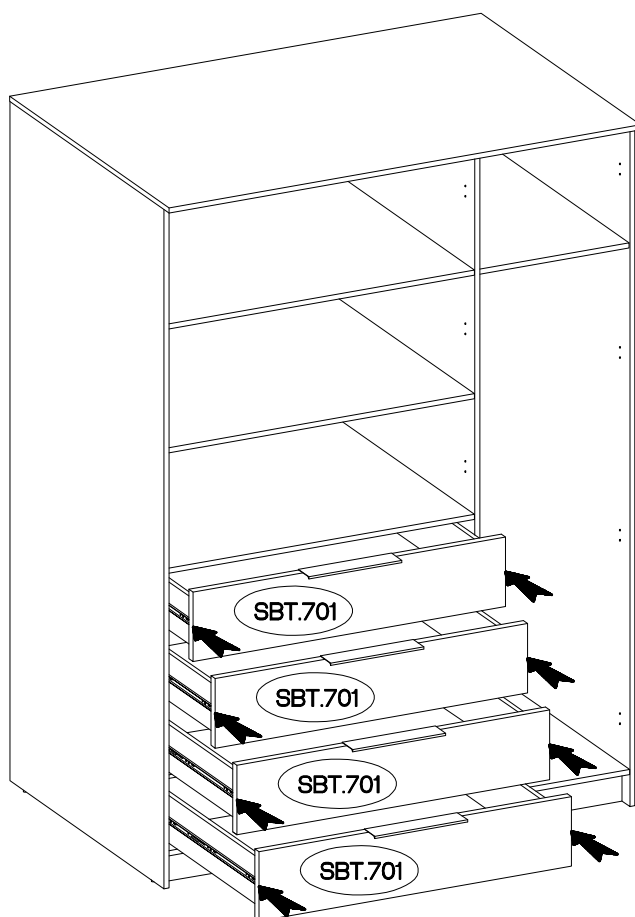
15





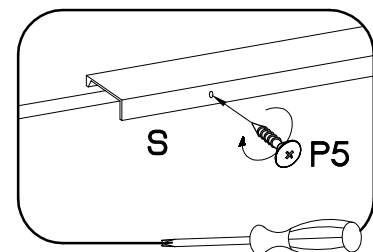
	L=450 mm		∅3.5x13mm
L3		K46	P5
56	4		8



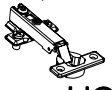


16

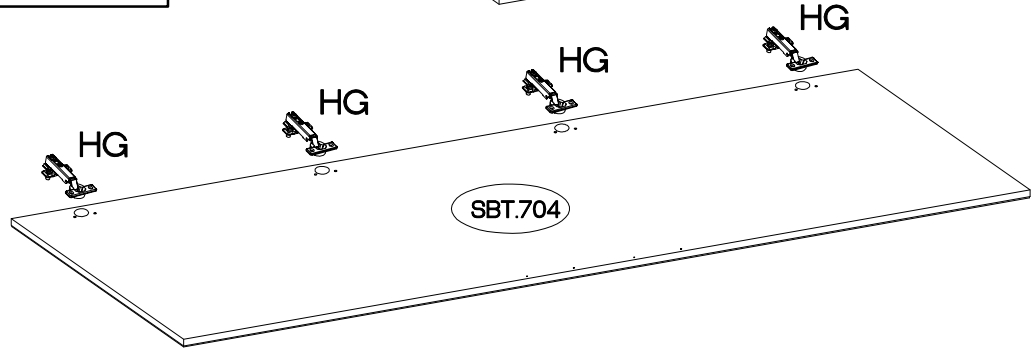
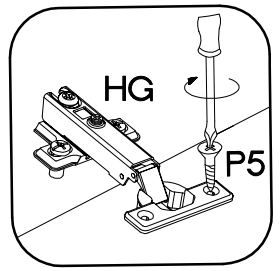
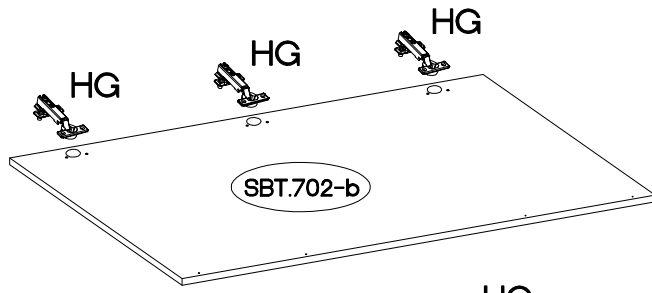
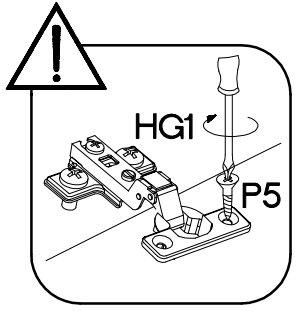
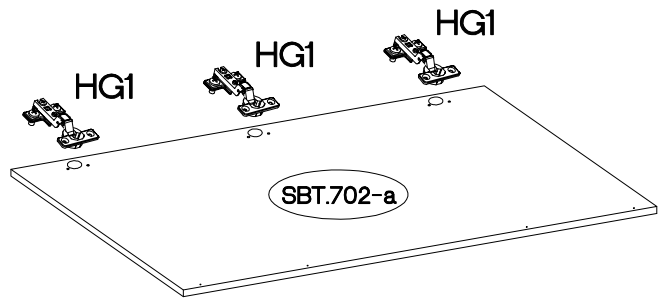
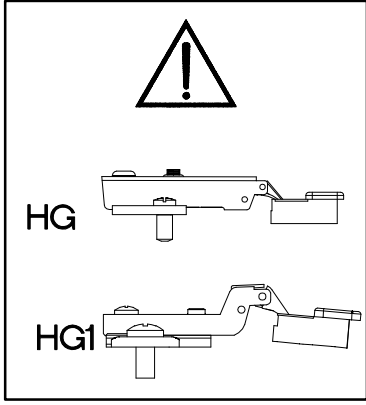


L=256mm	∅3.5x13mm
	
S	P5
4	8

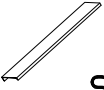



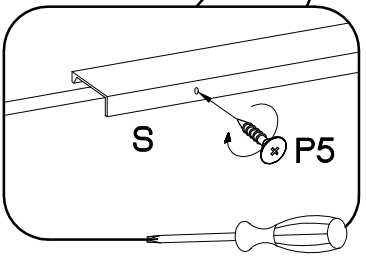
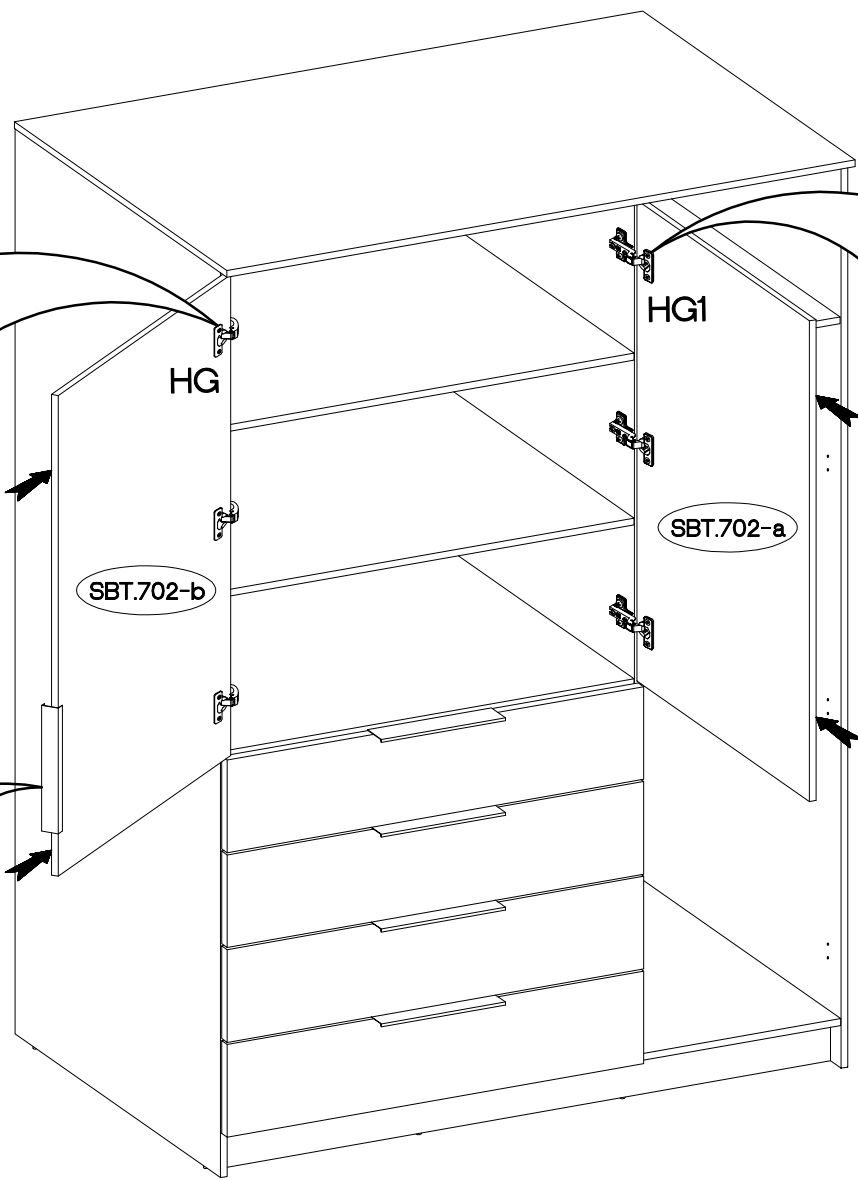
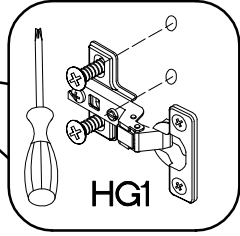
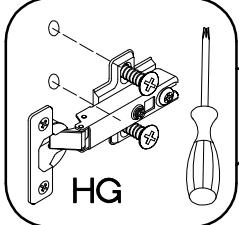
17


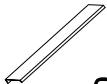

∅35/0mm  HG 7	∅35/9mm  HG1 3	∅3.5x13mm  P5 20
--	---	--



18

L=256mm  S 1	∅3.5x13mm  P5 2
--	---



L=256mm	∅3.5x13mm	
 S	 P5	E
1	2	27

