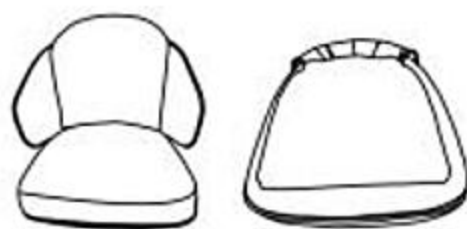


K554



Ax1



Bx4



Cx1



M6*12

Dx4



M6*12

Ex8

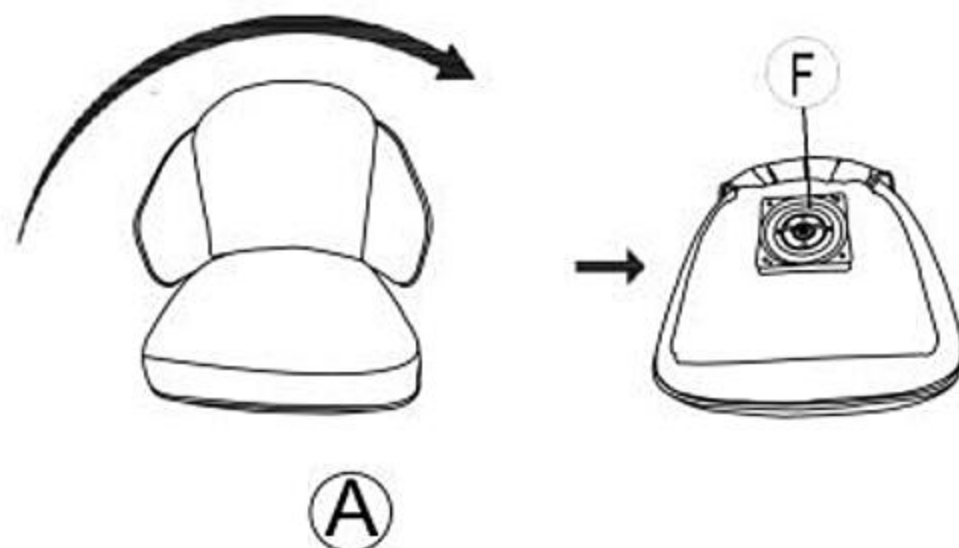
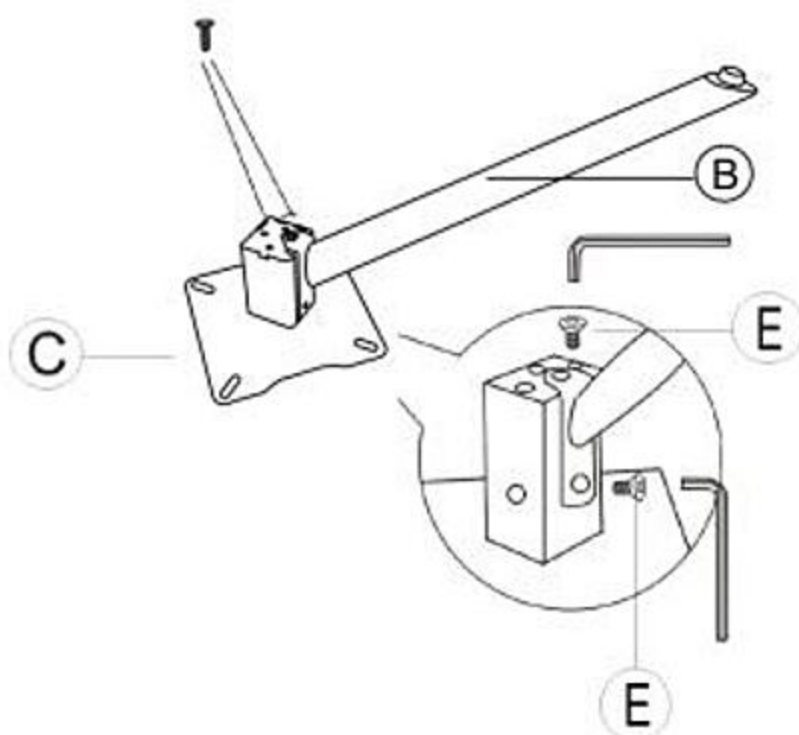


Fx1

1

80%

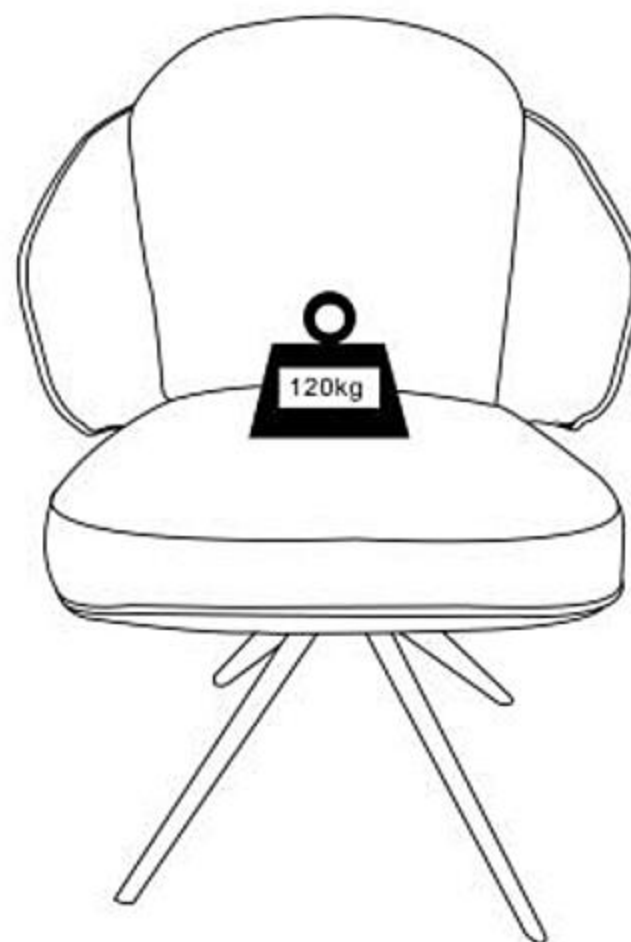
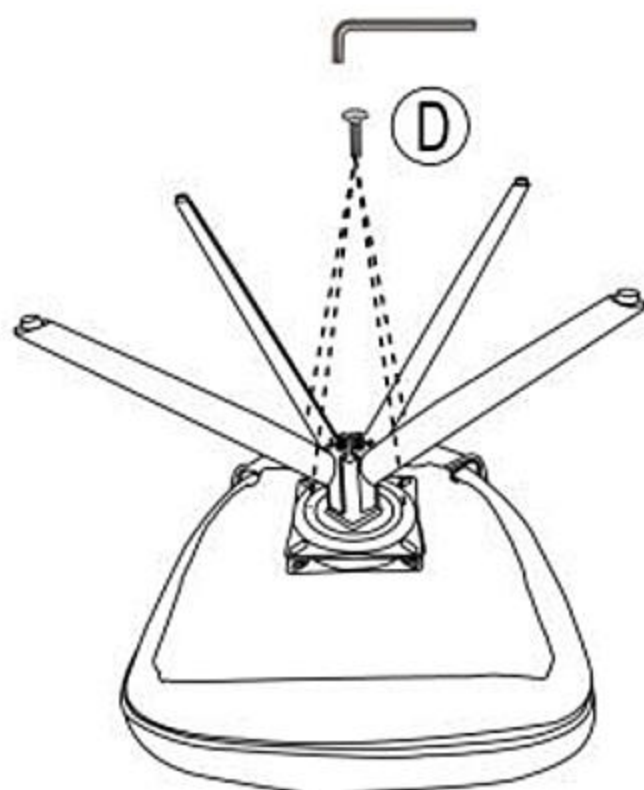
2



3

100%

4



v.1