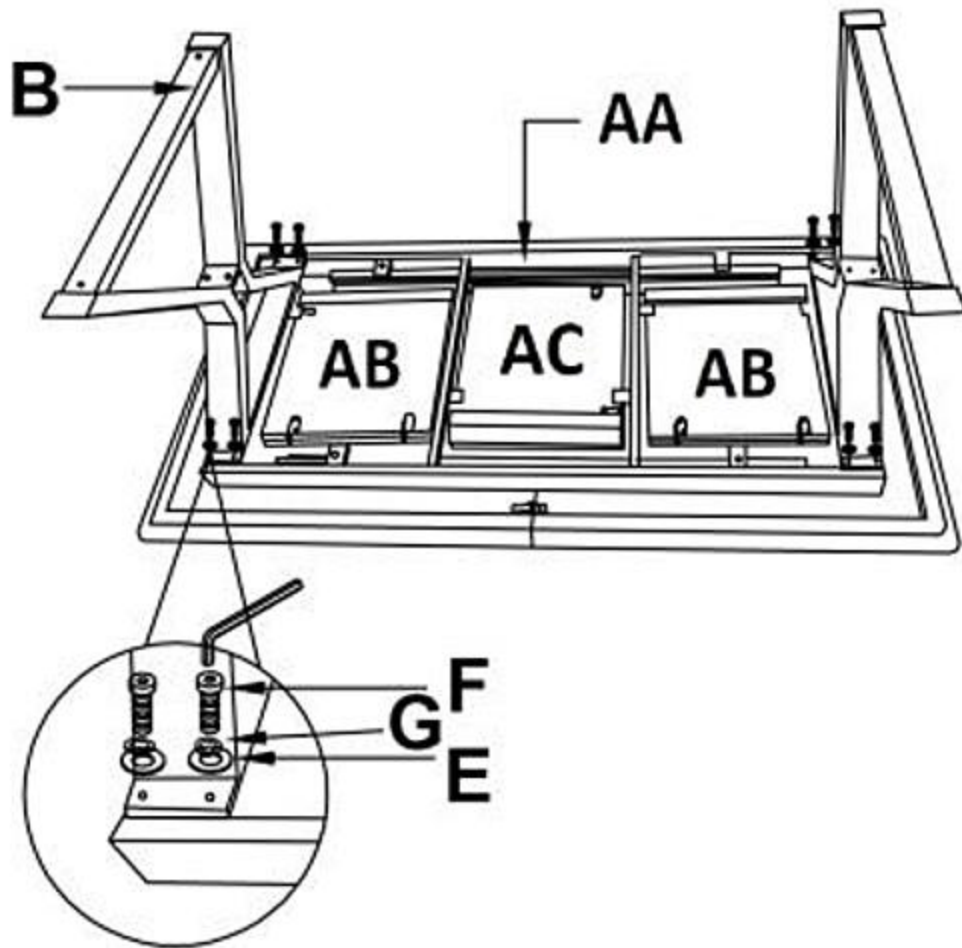


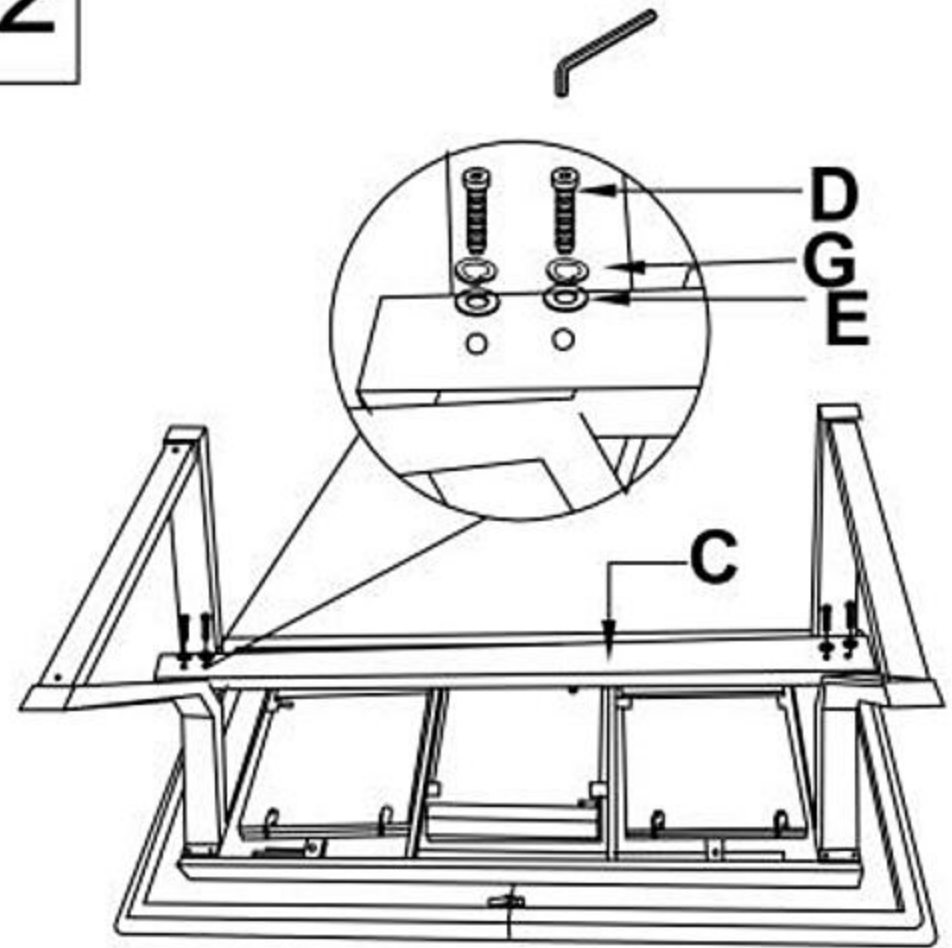
# HENRY

<b>AA</b> X1PC 	<b>AB</b> X2PC 	<b>AC</b> X1PC 	<b>B</b> X2PCS 	<b>C</b> X1PC 	
<b>D</b> X4PCS M8*25	<b>E</b> X 12PCS M8*18	<b>F</b> X8PCS M8*20	<b>G</b> X12PCS 	X1PC 	

1



2



3

max. 40 kg

