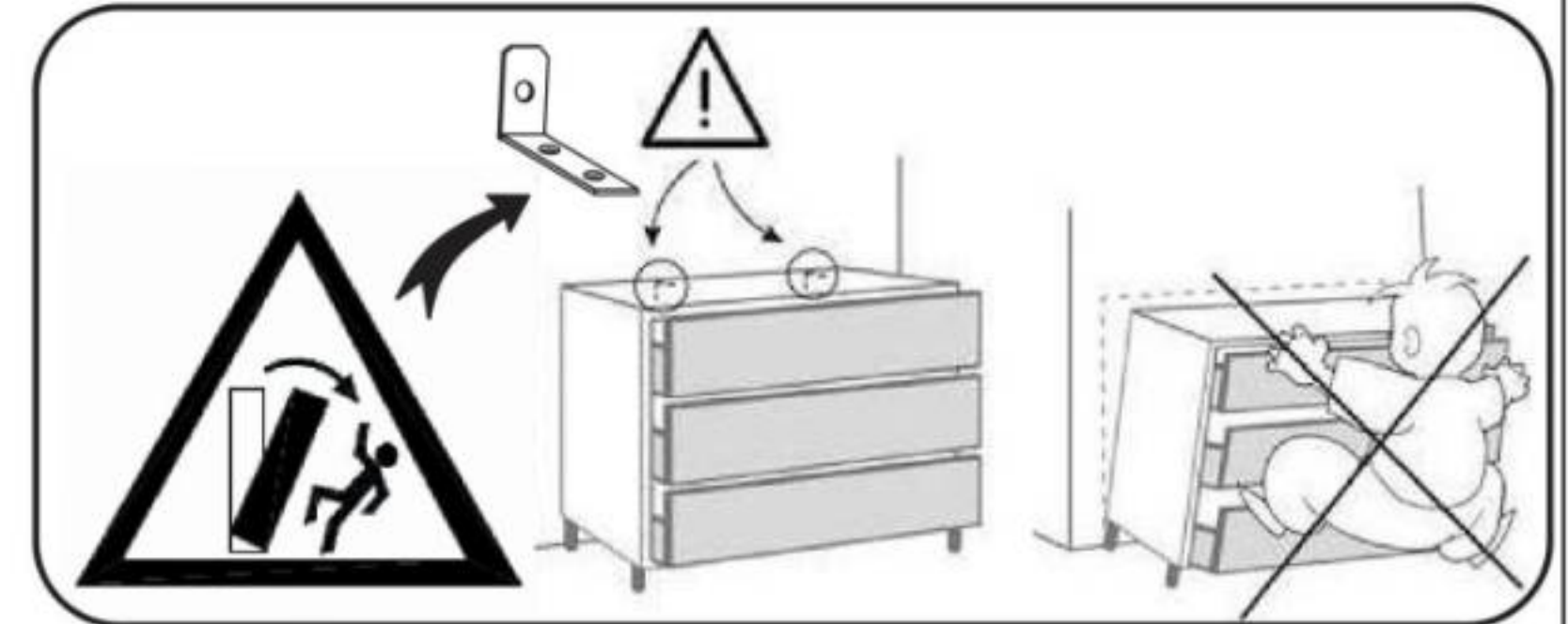
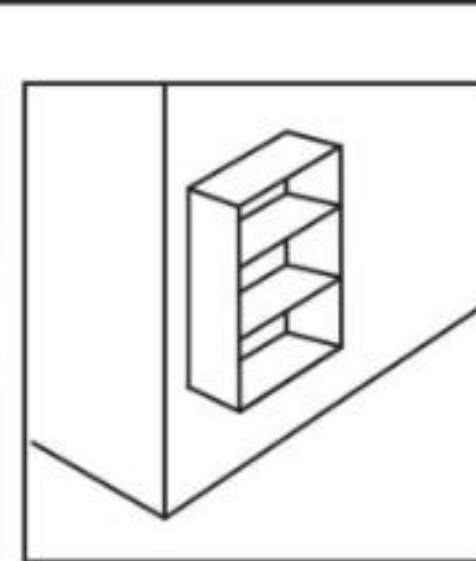
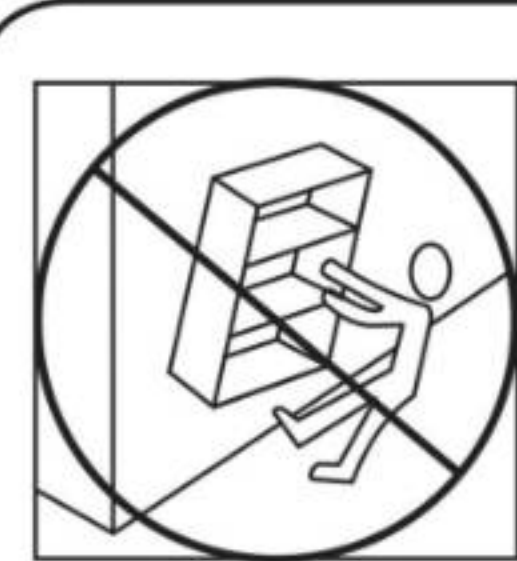
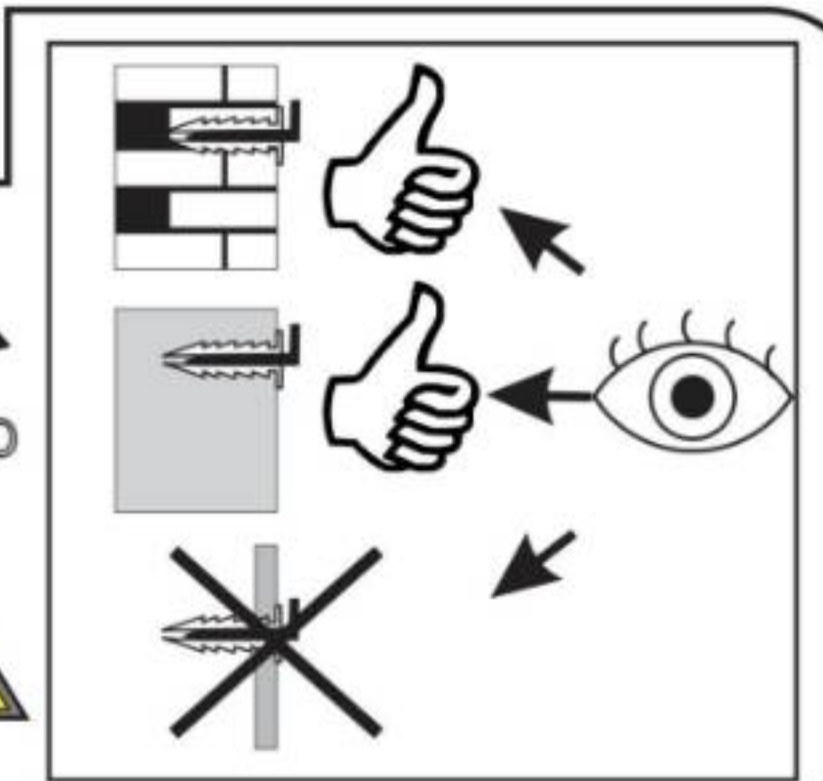
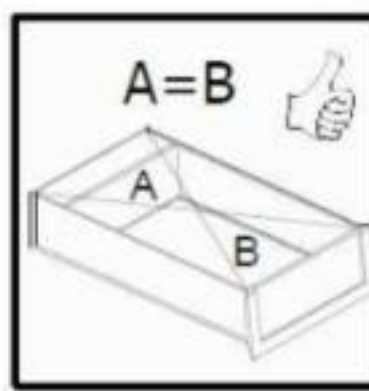
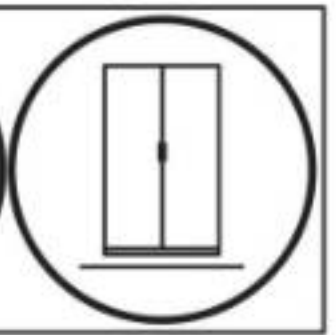
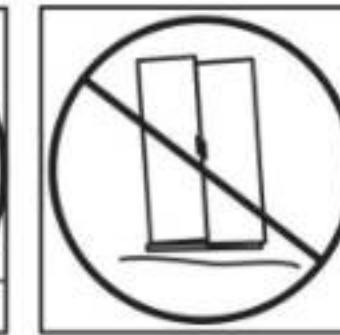
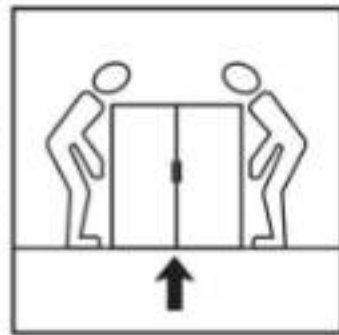
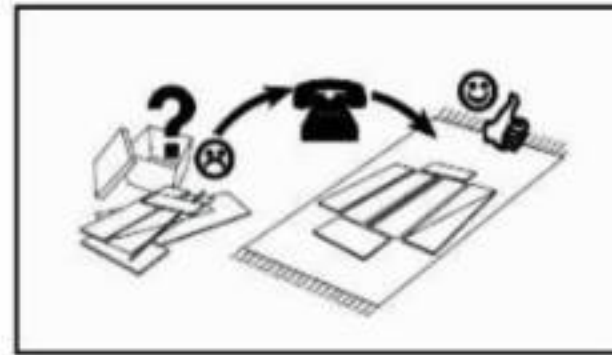
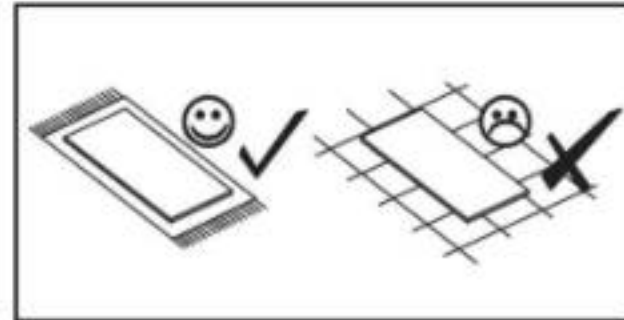
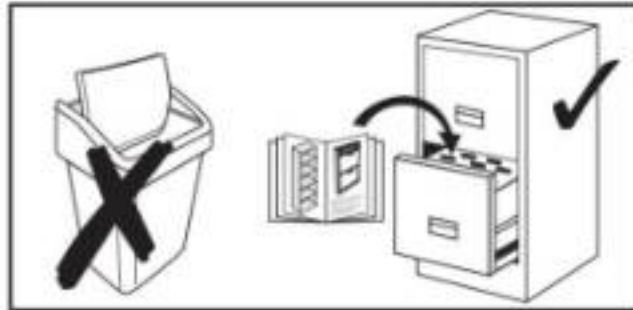
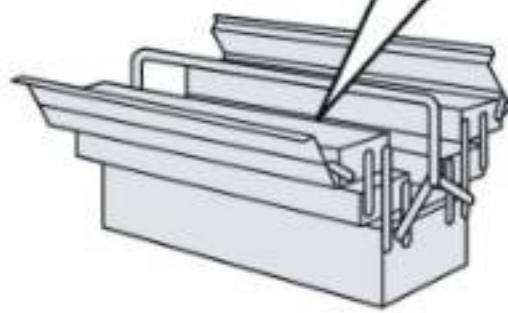
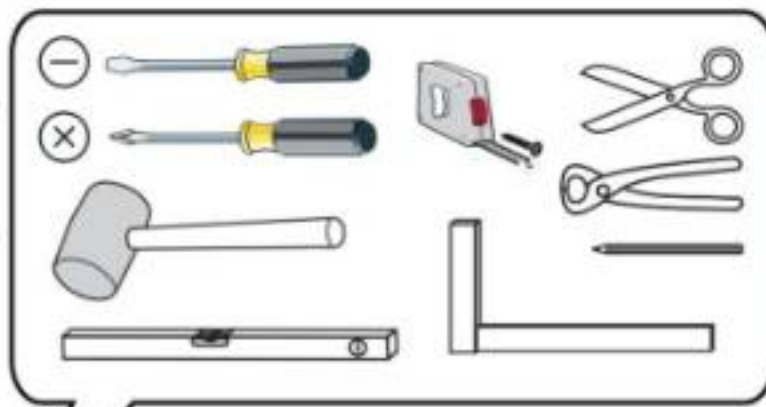
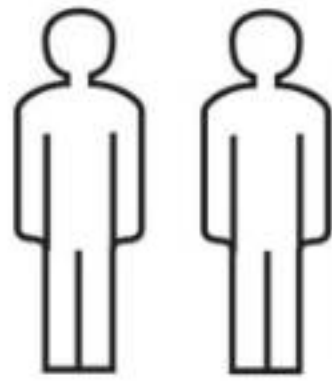


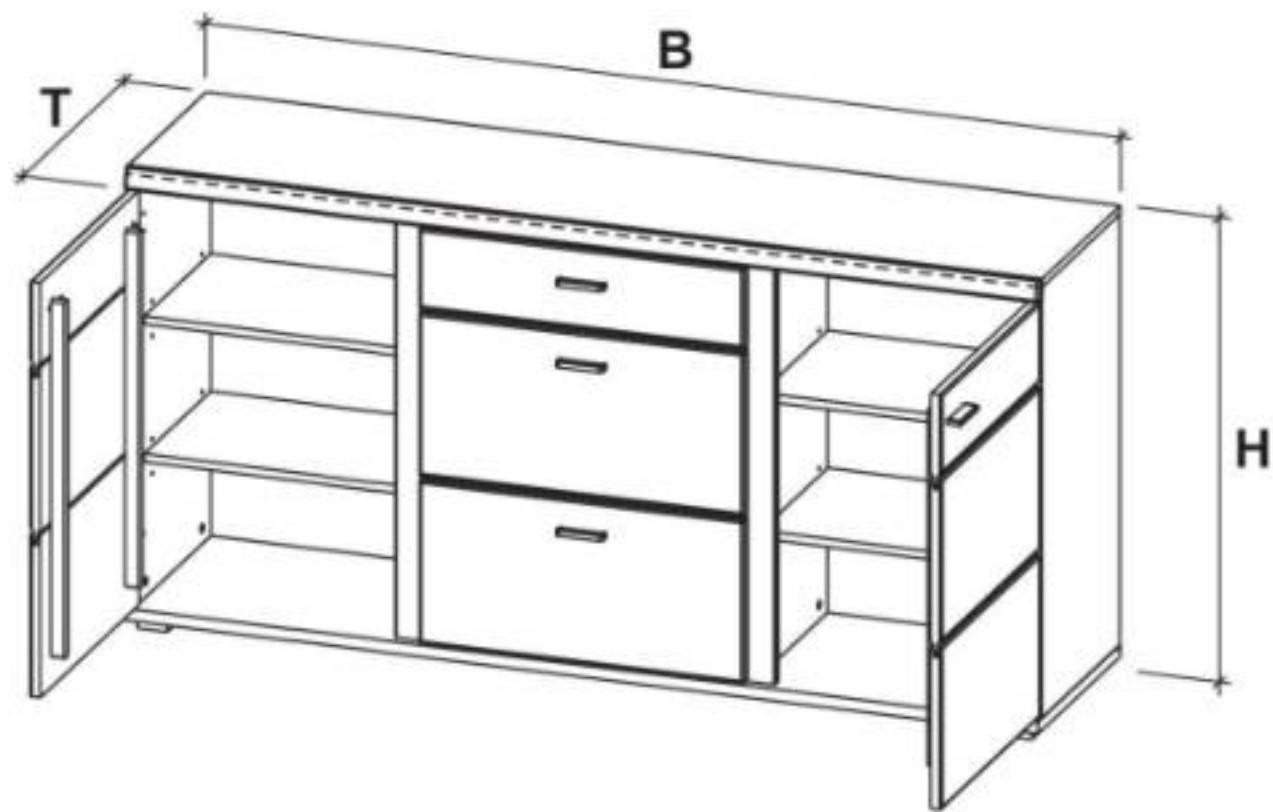
SONOS II 1X 17 HU 20

1 / 15

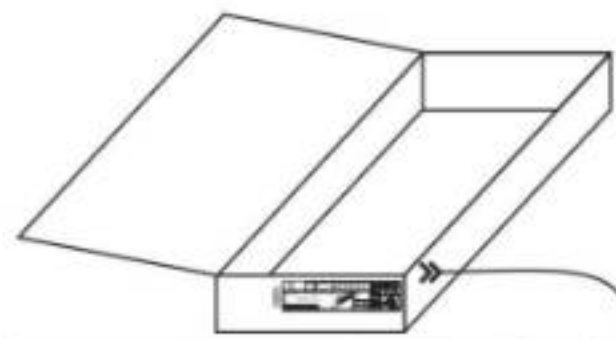
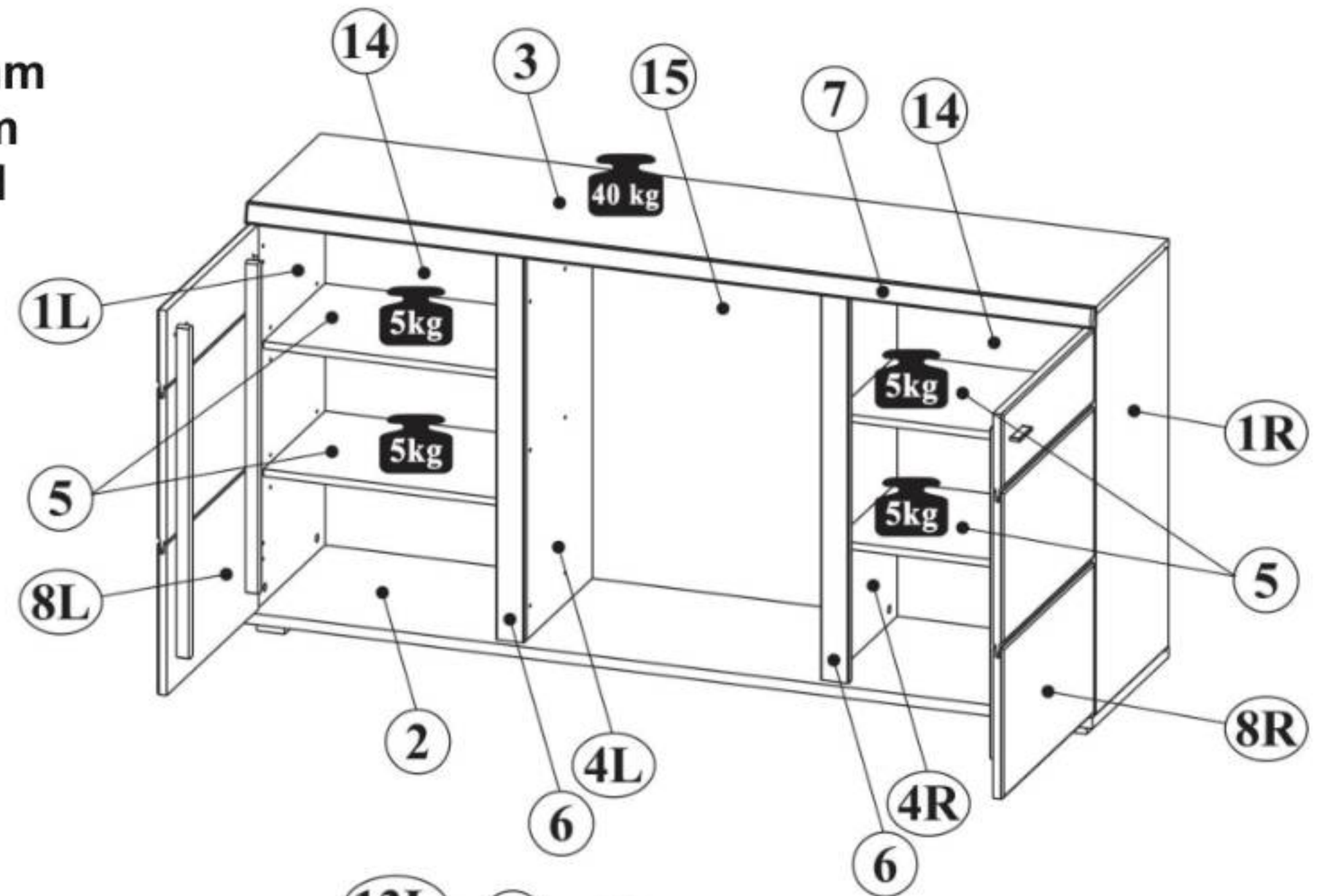


SONOS II 1X 17 HU 20

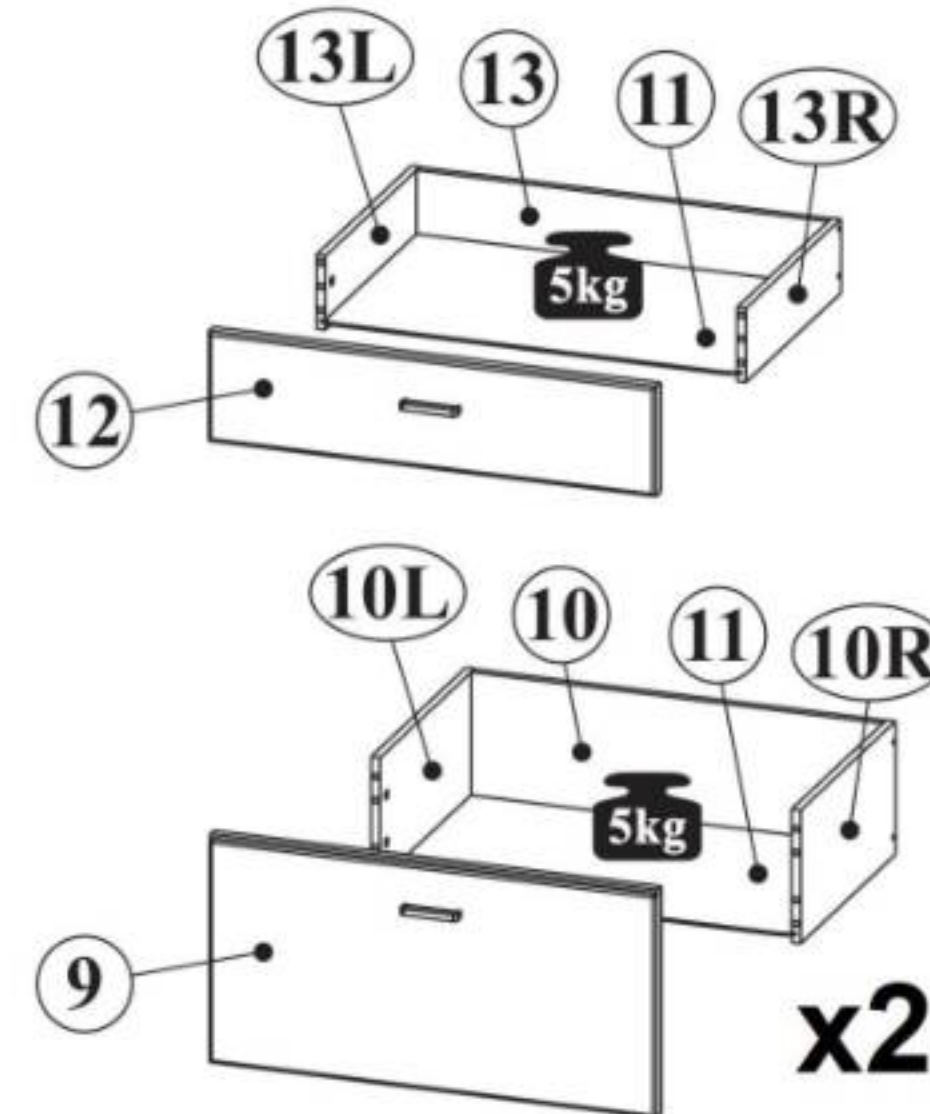
2 / 15



B - 1702 mm
H - 861 mm
T - 420 MM




1L,1R	802	398	2	2
2	1700	420	1	3
3	1700	398	1	3
4L,4R	802	362	2	2
5	520	340	4	1,3
6	802	55	2	3
7	1702	40	1	3
8L,8R	506	772	2	1
9	604	308	2	1
10L,10R	355	180	4	2
10	552	180	2	2
11	563	347	3	2
12	604	148	1	1
13L,13R	355	100	2	2
13	552	100	1	1
14	812	532	2	1
15	812	608	1	1





SONOS II 1X 17 HU 20


3 / 15


NR 1


B1  ϕ 8x30 x42

M1  ϕ 15x12mm x22


T1  x32


W1  x16


F33  x6

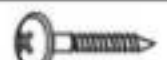
P13  3,5x13 x24


NR 2

C14  x26


J23  x18


F1  x6


P2  3x20 x6

C15  x12

NR 3

X11  x4

PH  x4

S8  3,5x13 x8

NR 4

Q35  L-350mm x3L/3R

E24  6x8 x12

M2  ϕ 15x10mm x10

P5  3,5x30 x12


F338  L-338 x3


P10  3x13 x6

S4  3x16 x6


S3  3,5x13 x12


NR 5

N20  x6


S2  4x30 x24


NR 6


U188  x5


A2  M4x25 x10

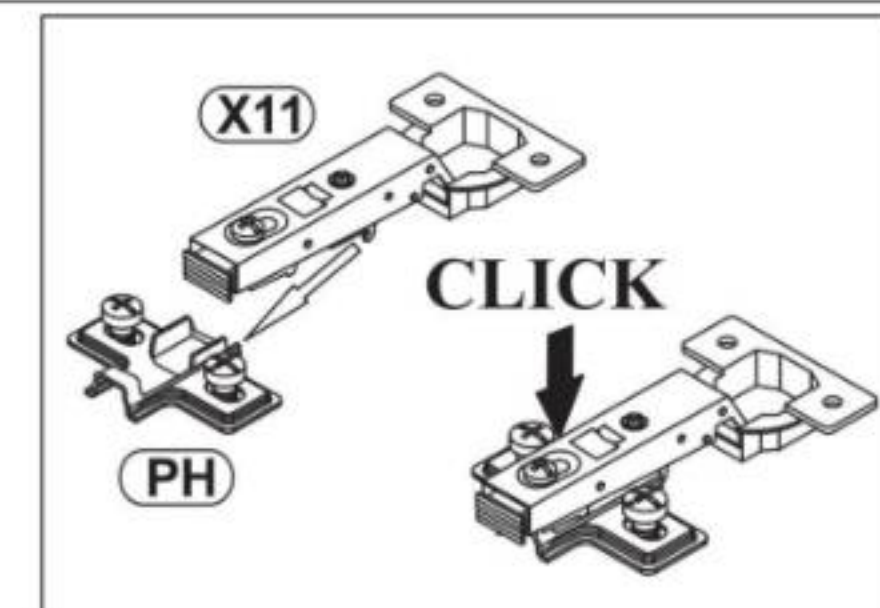
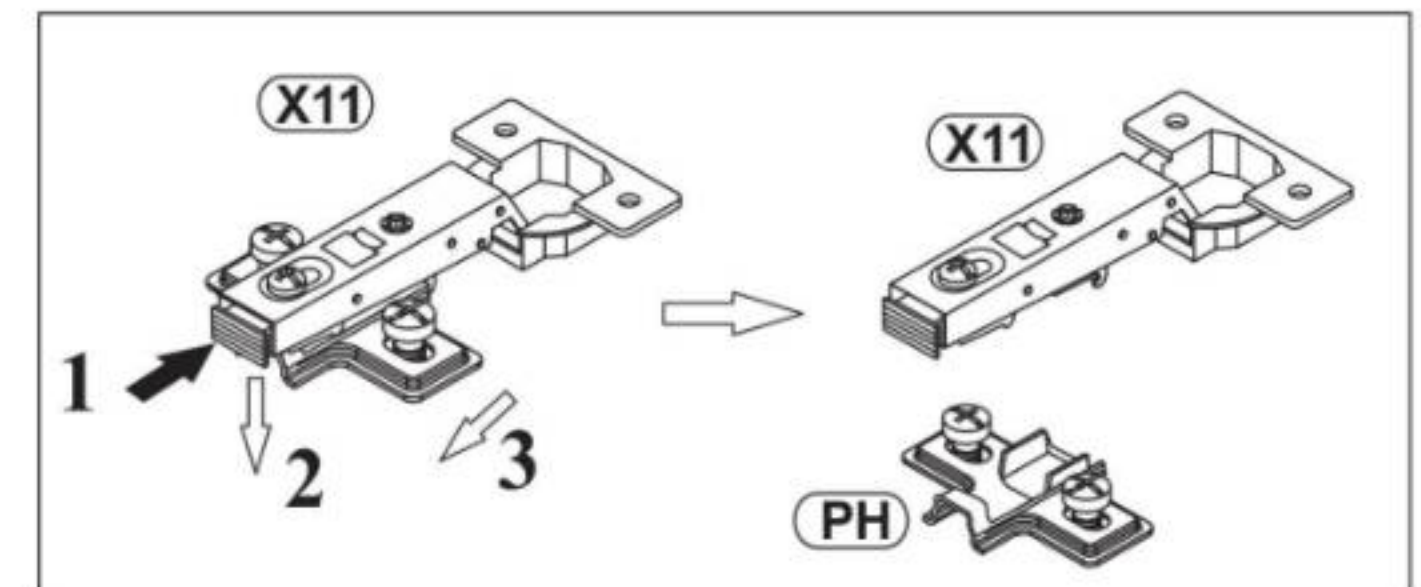
NR 7

J11  x2

P13  3,5x13 x4

T13  8x50 mm x2

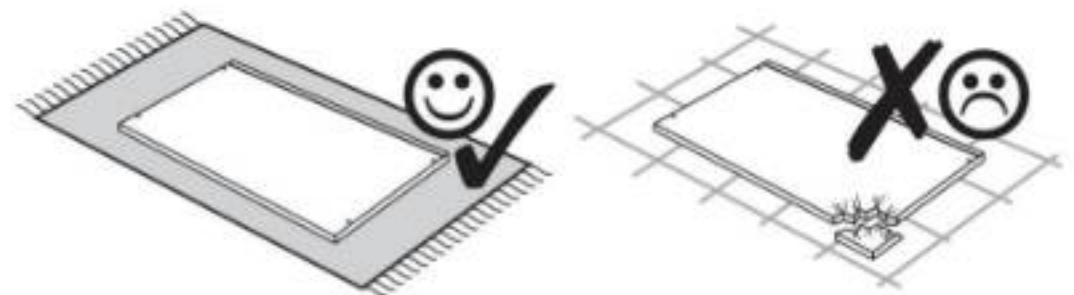
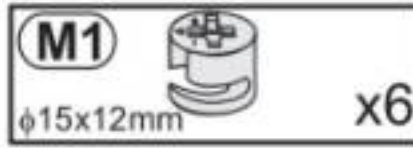
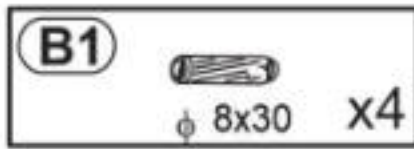
T14  6x50 mm x2



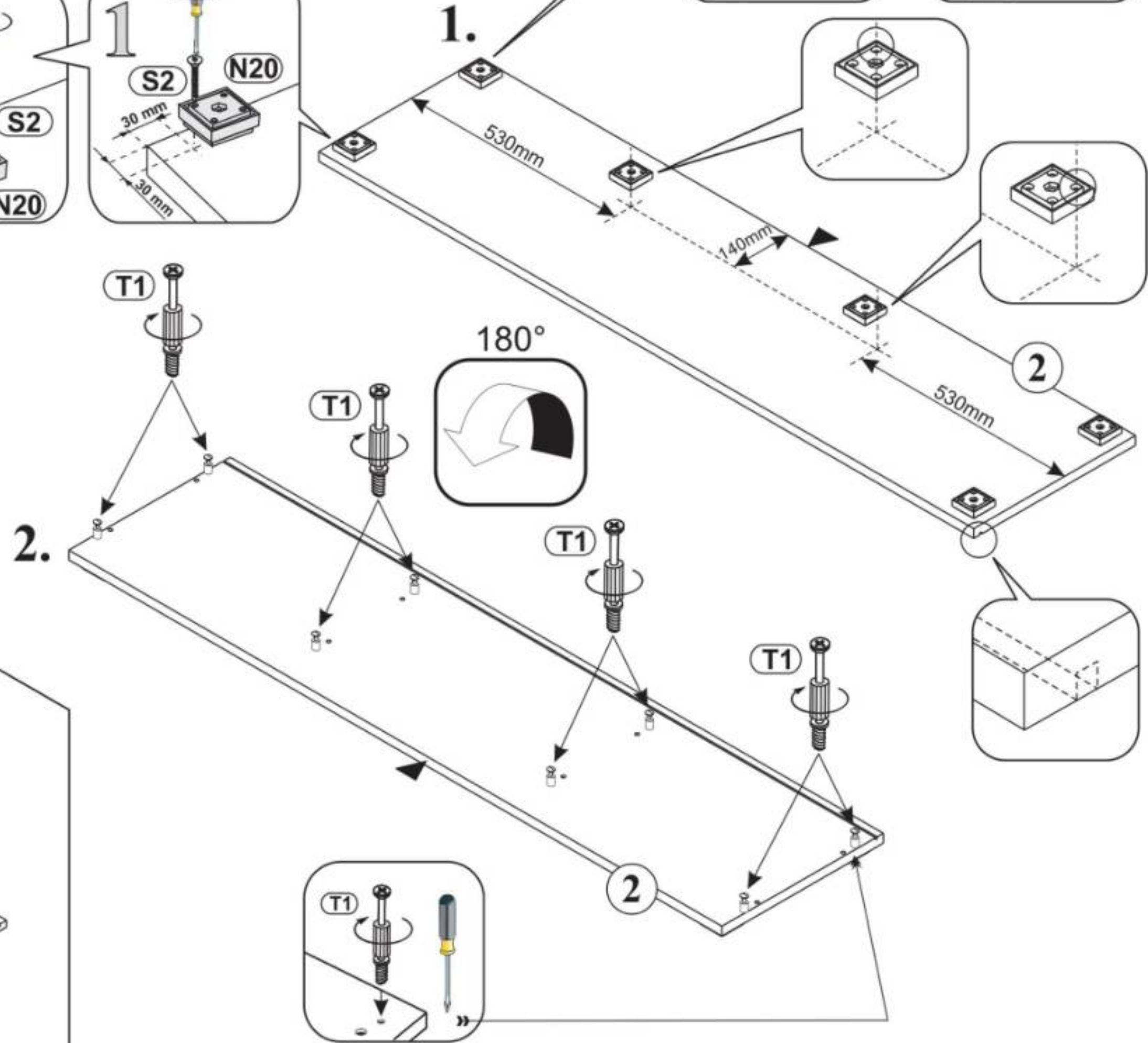
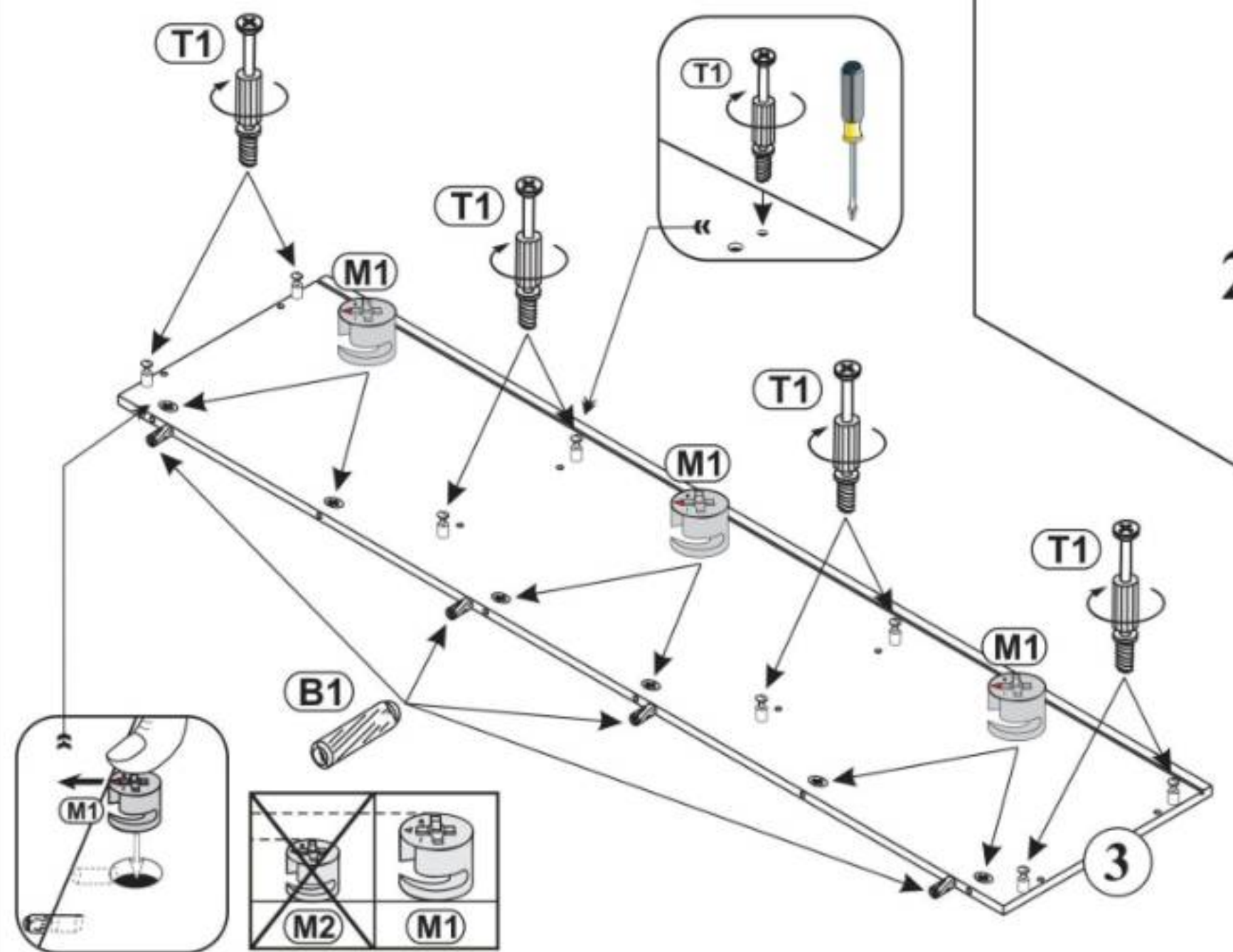
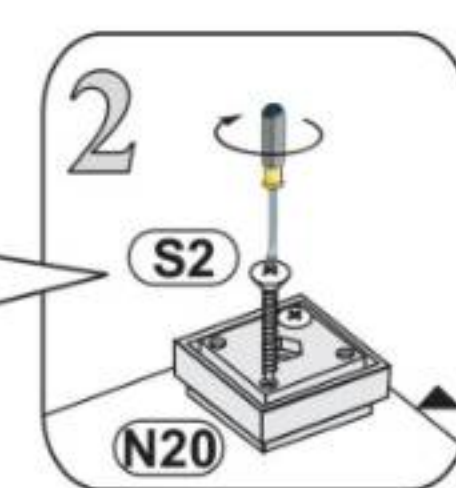
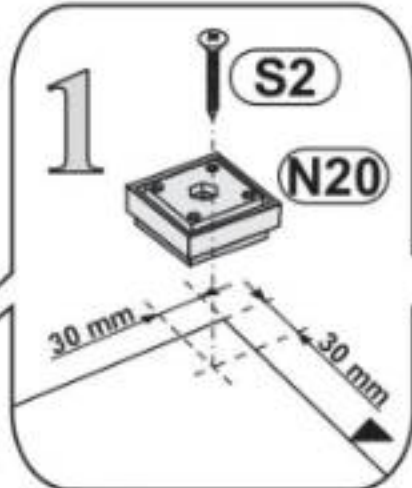
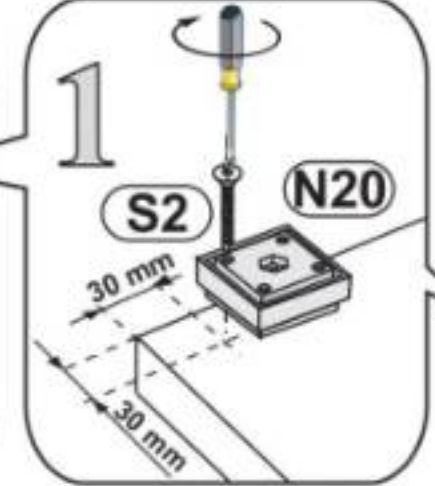
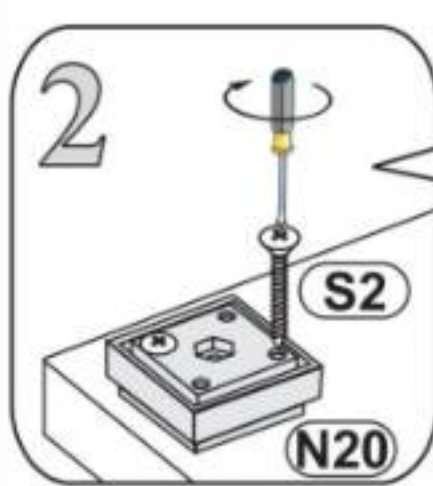
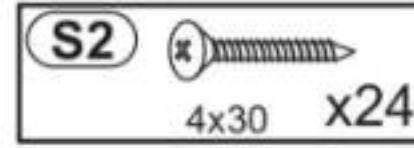
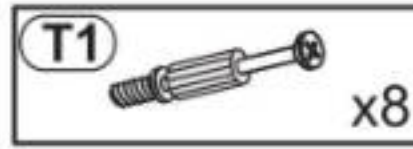
SONOS II 1X 17 HU 20

4 / 15

1

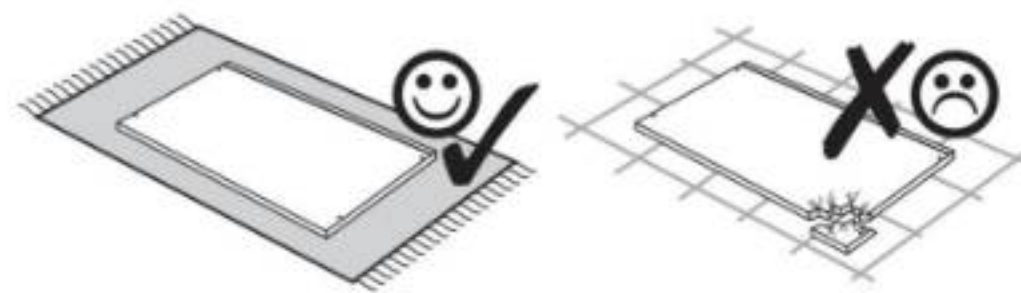
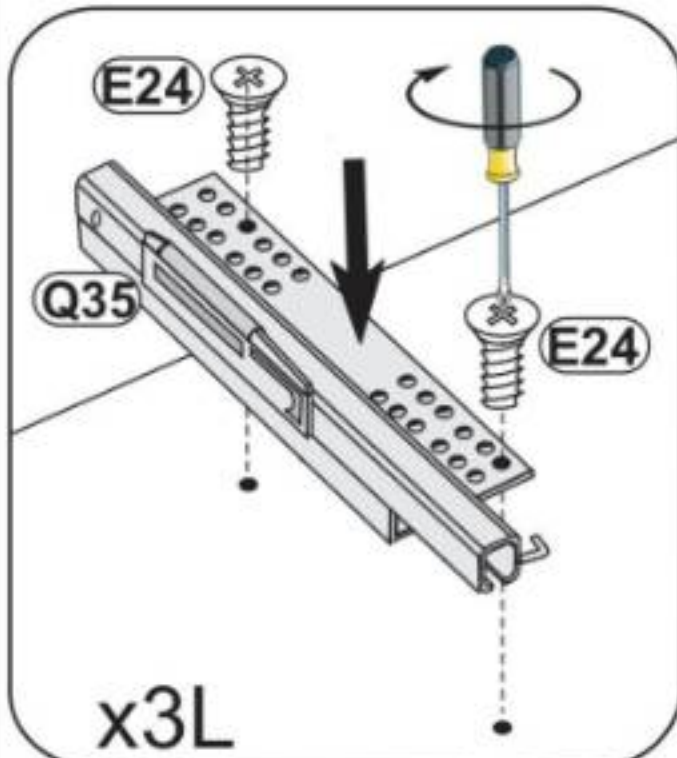
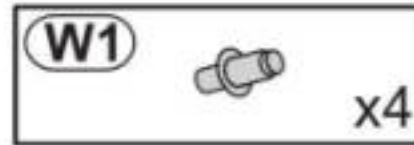
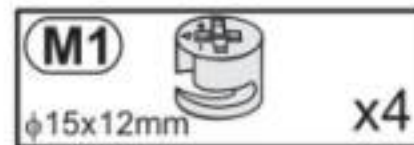
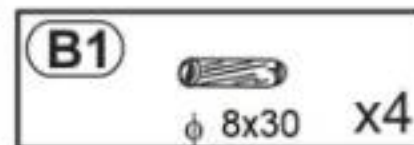
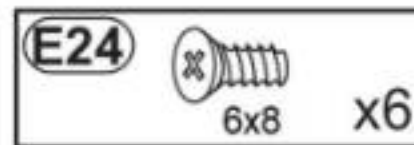
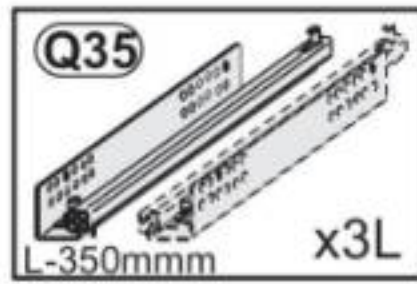


2

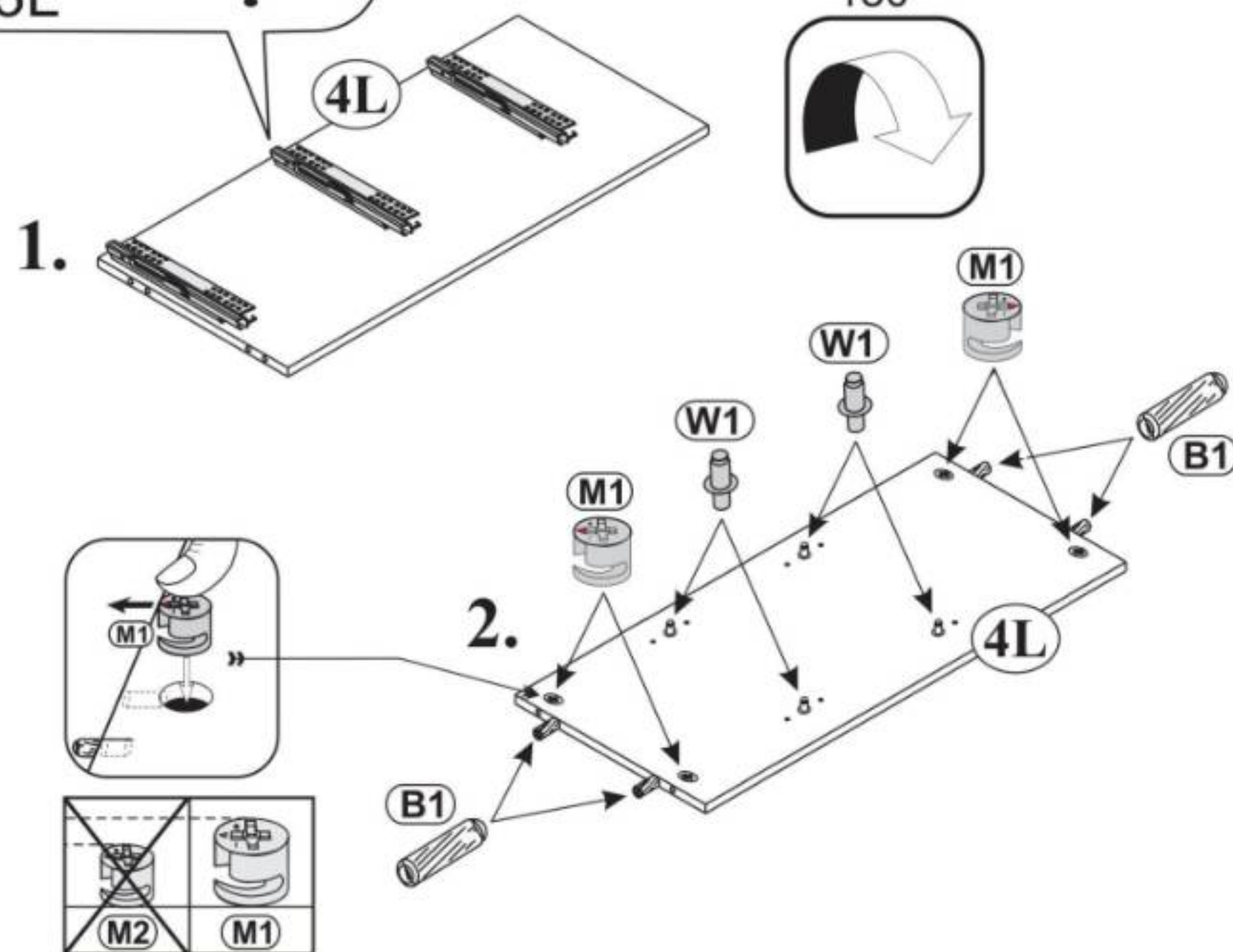


SONOS II 1X 17 HU 20

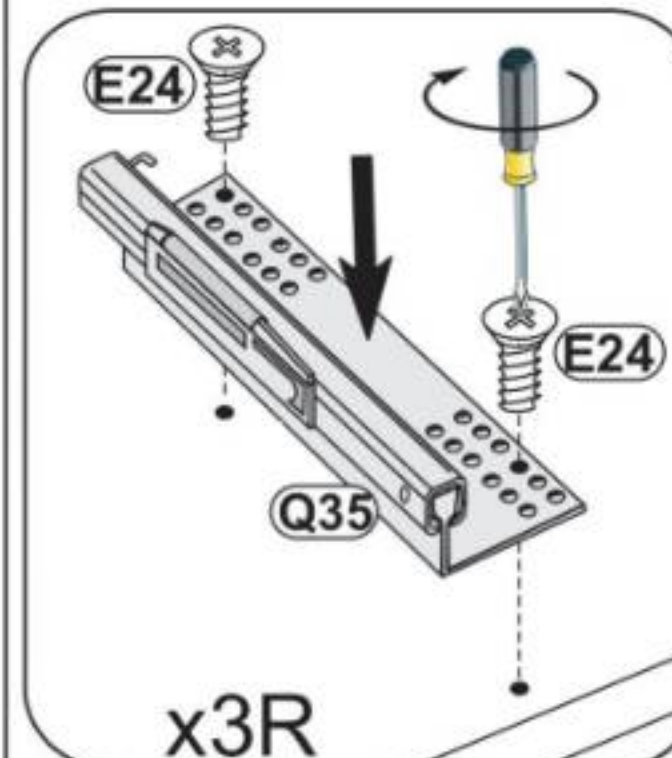
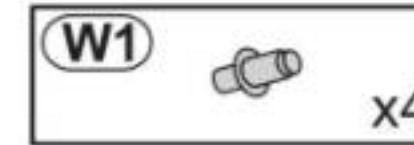
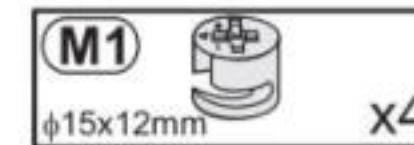
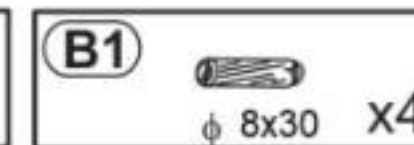
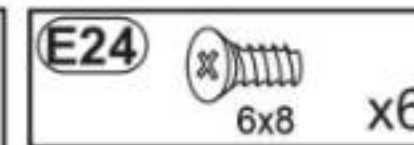
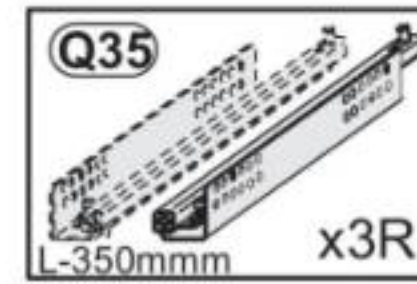
3



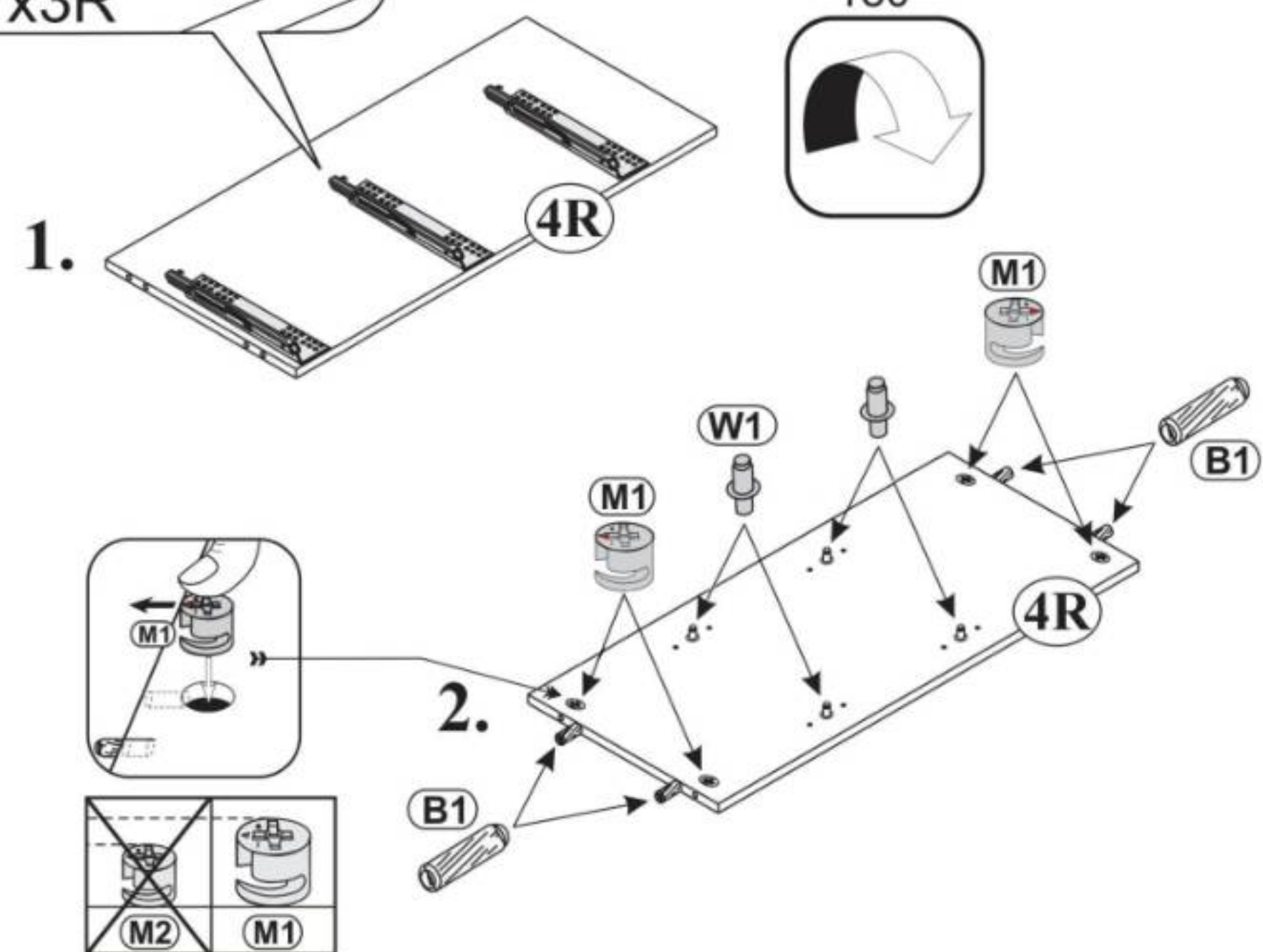
x3L



4

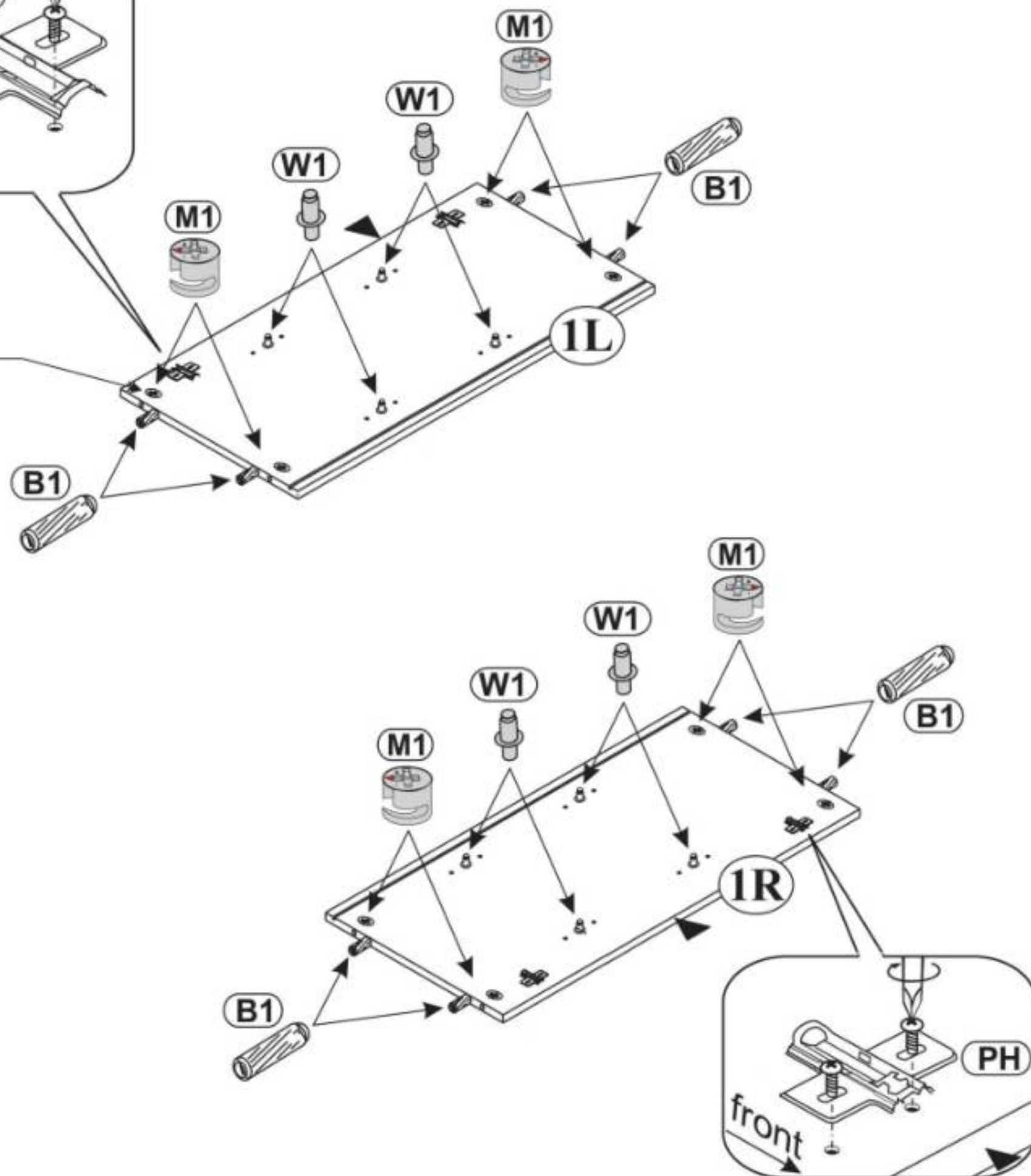
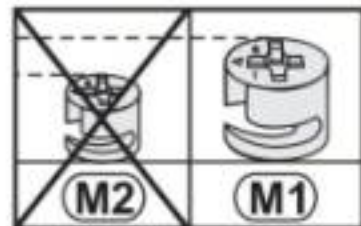
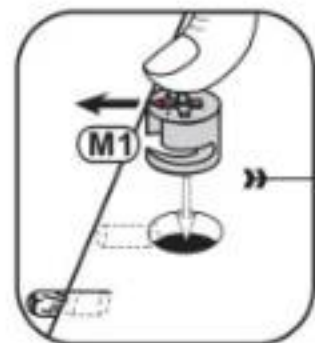
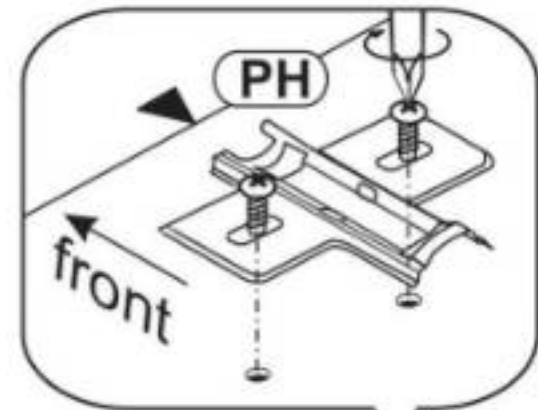
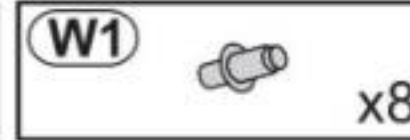
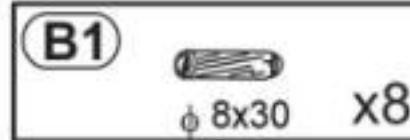


x3R

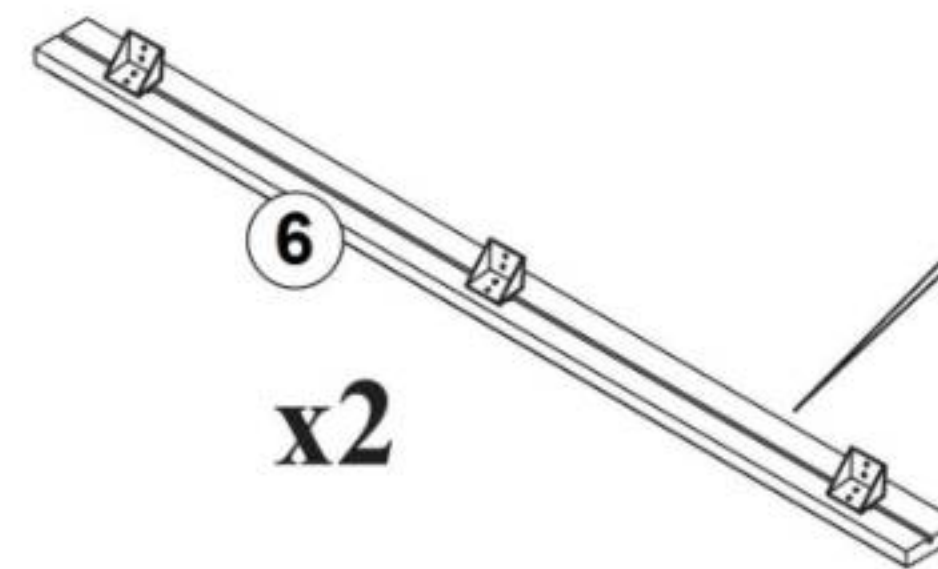
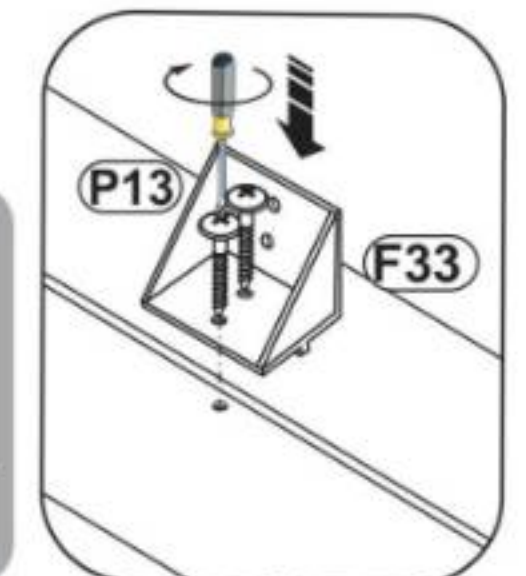
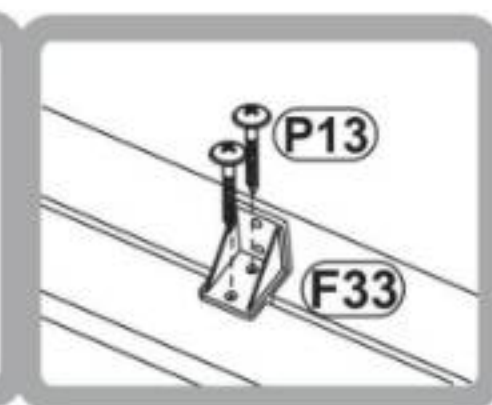
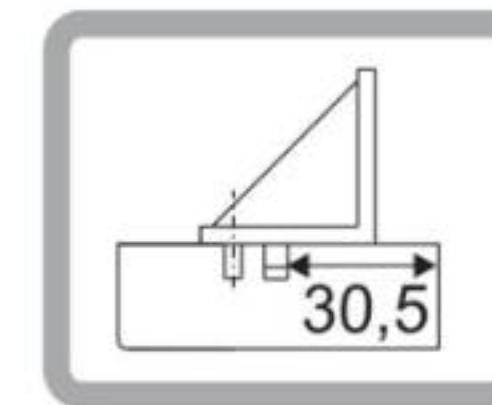
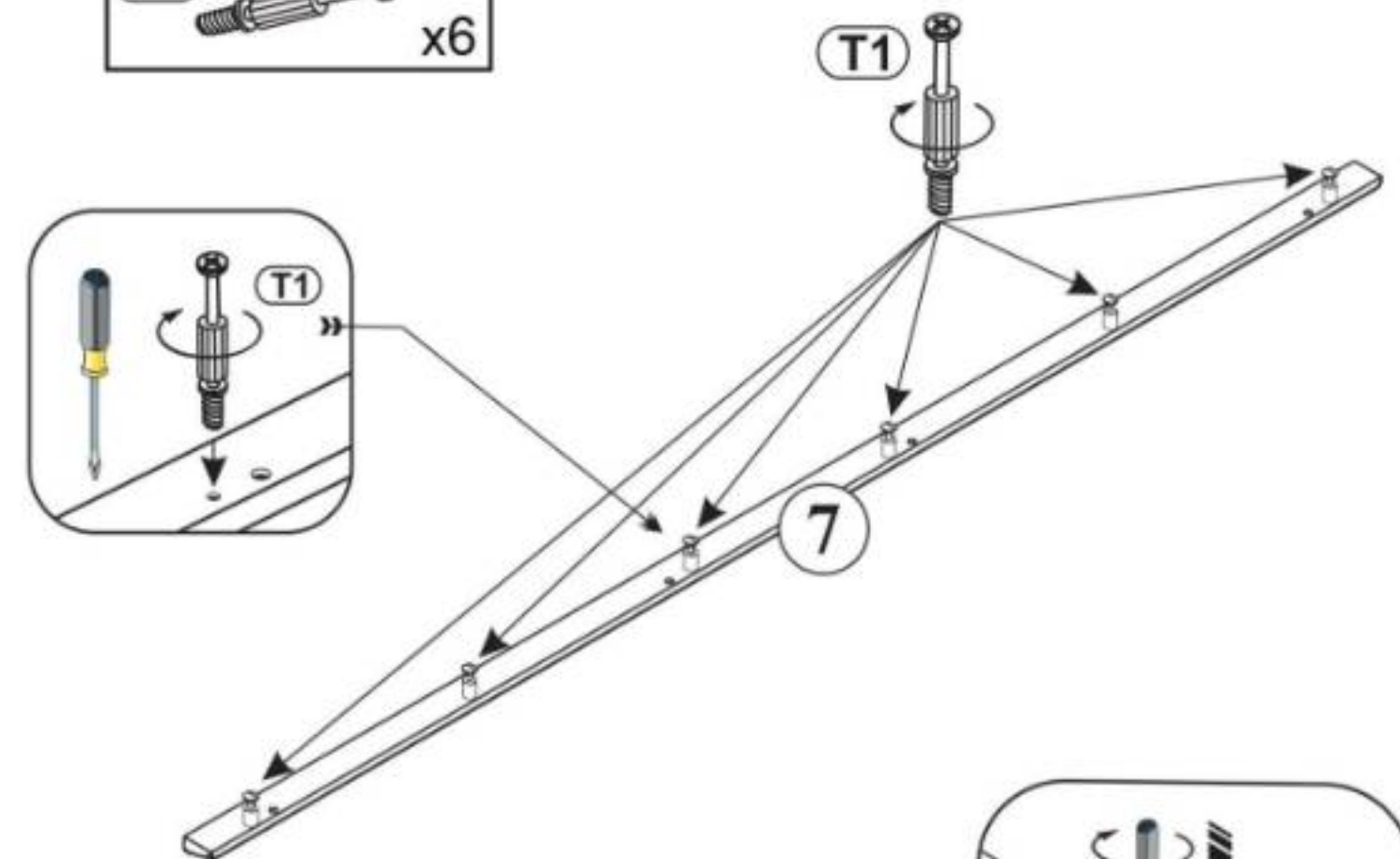
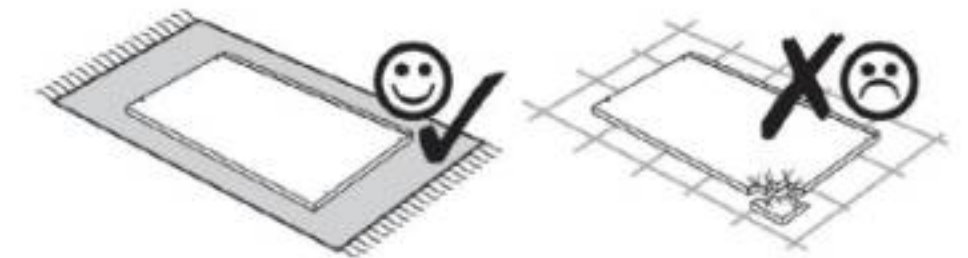
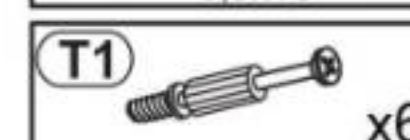
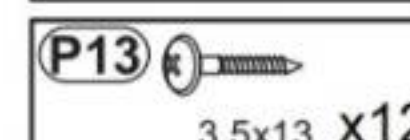


SONOS II 1X 17 HU 20

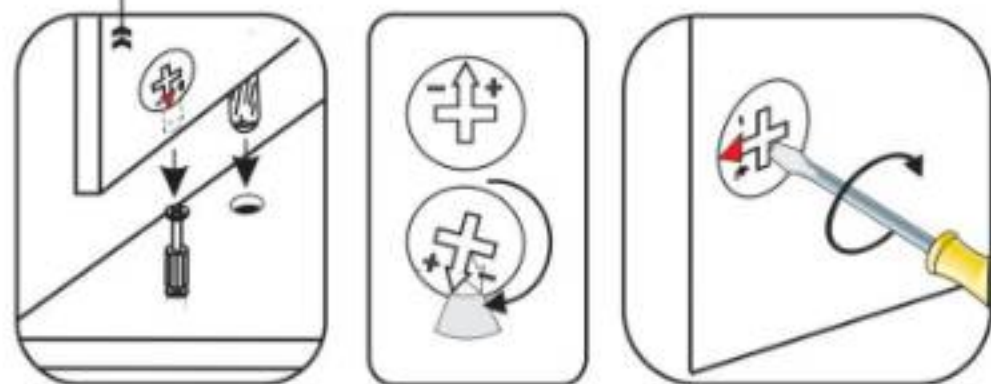
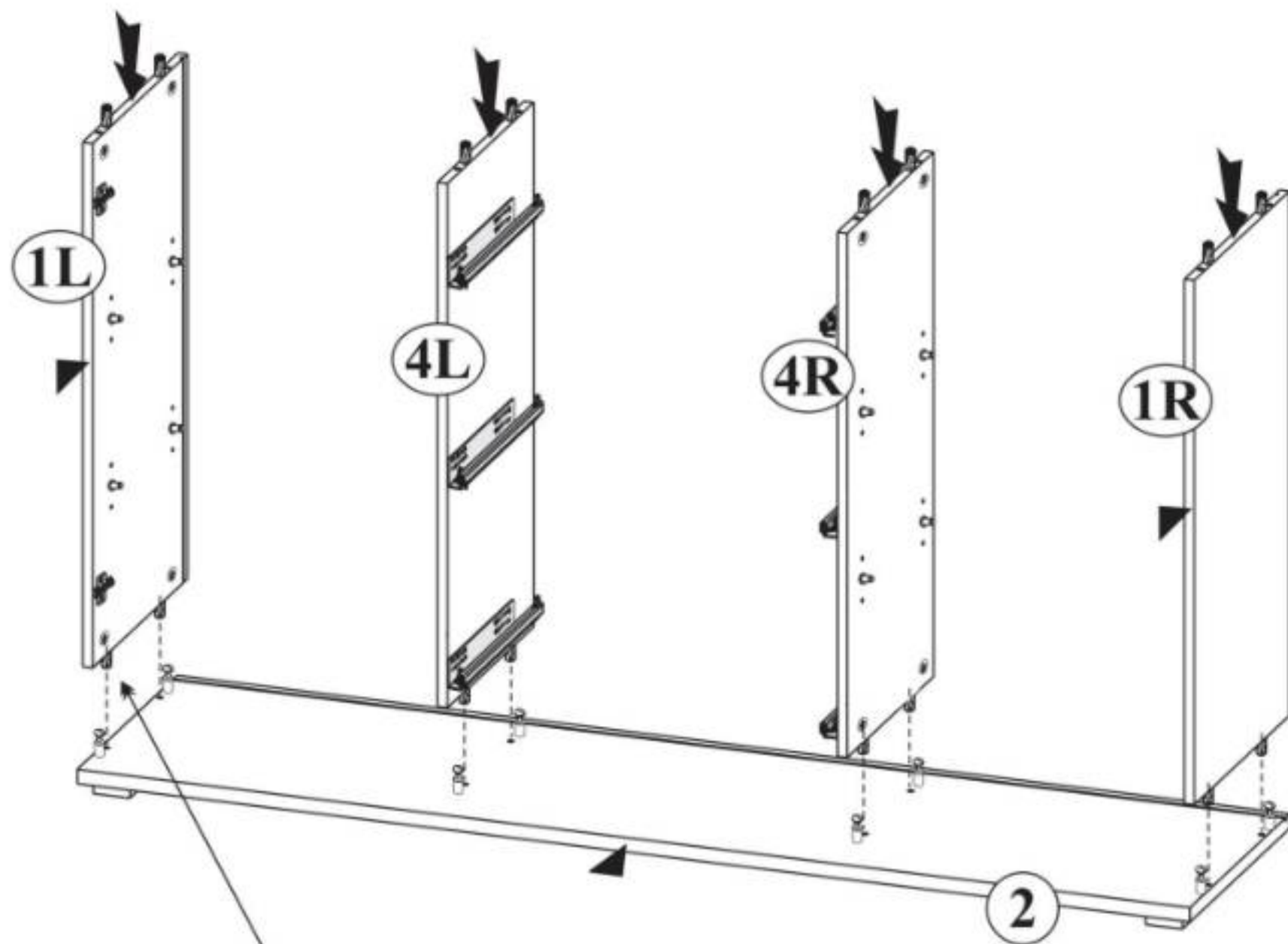
5



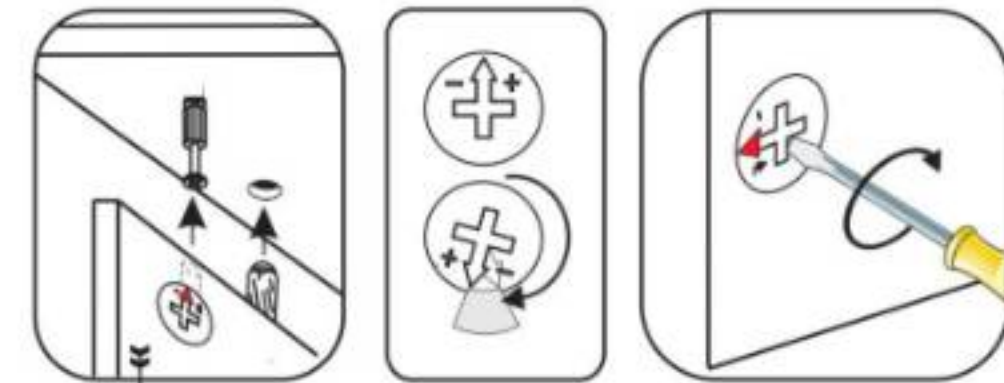
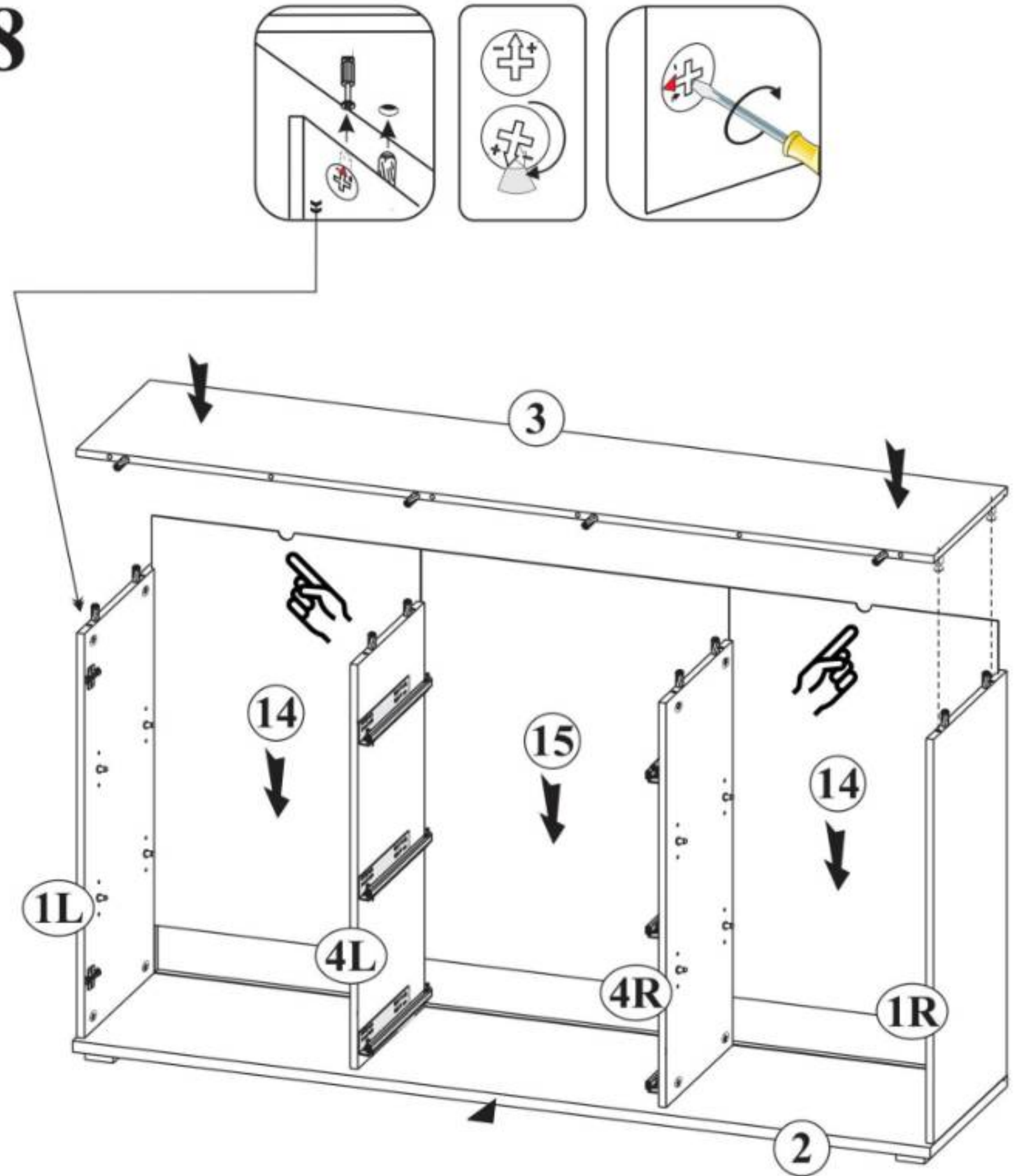
6



7

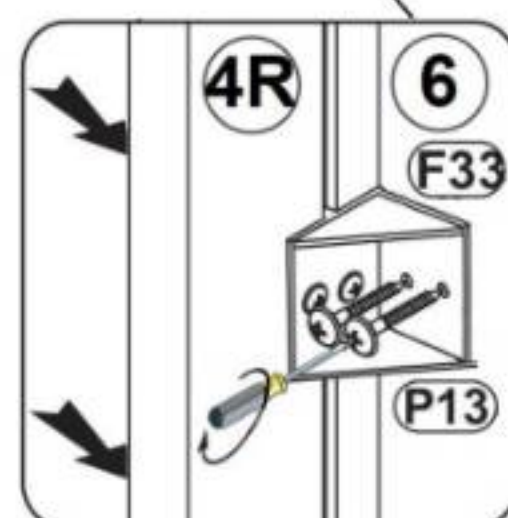
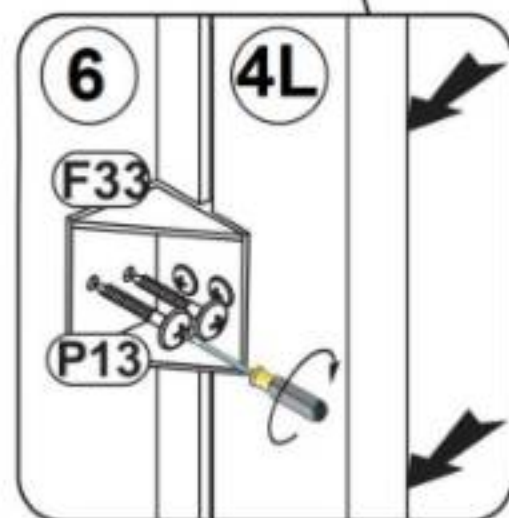
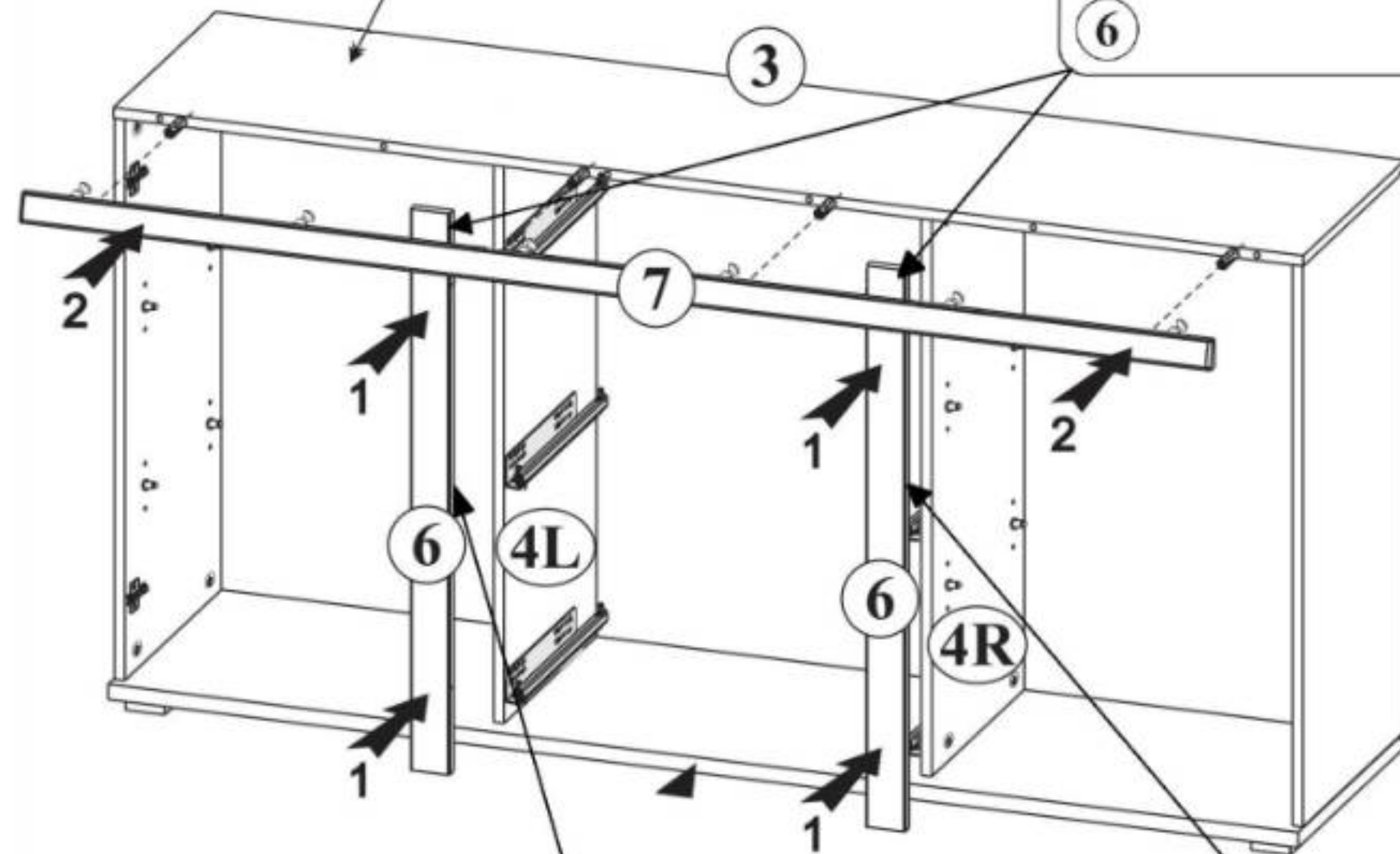
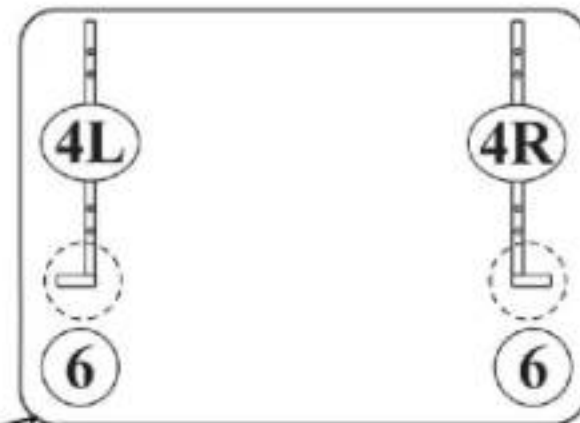
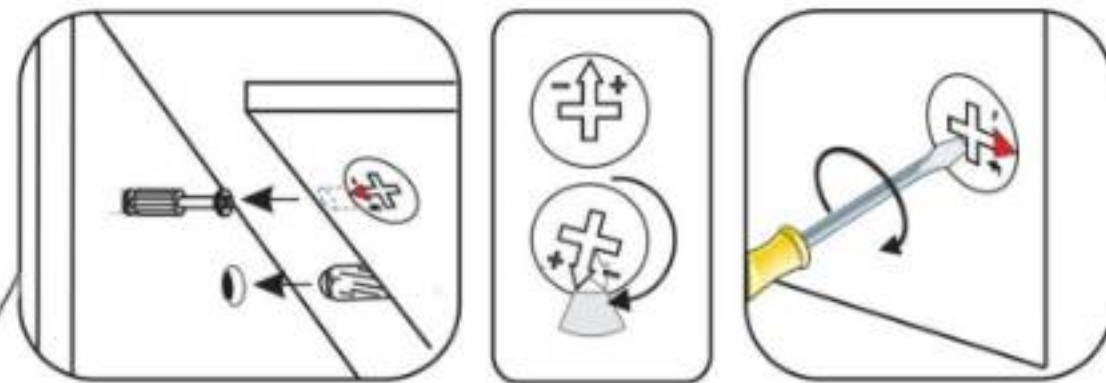


8

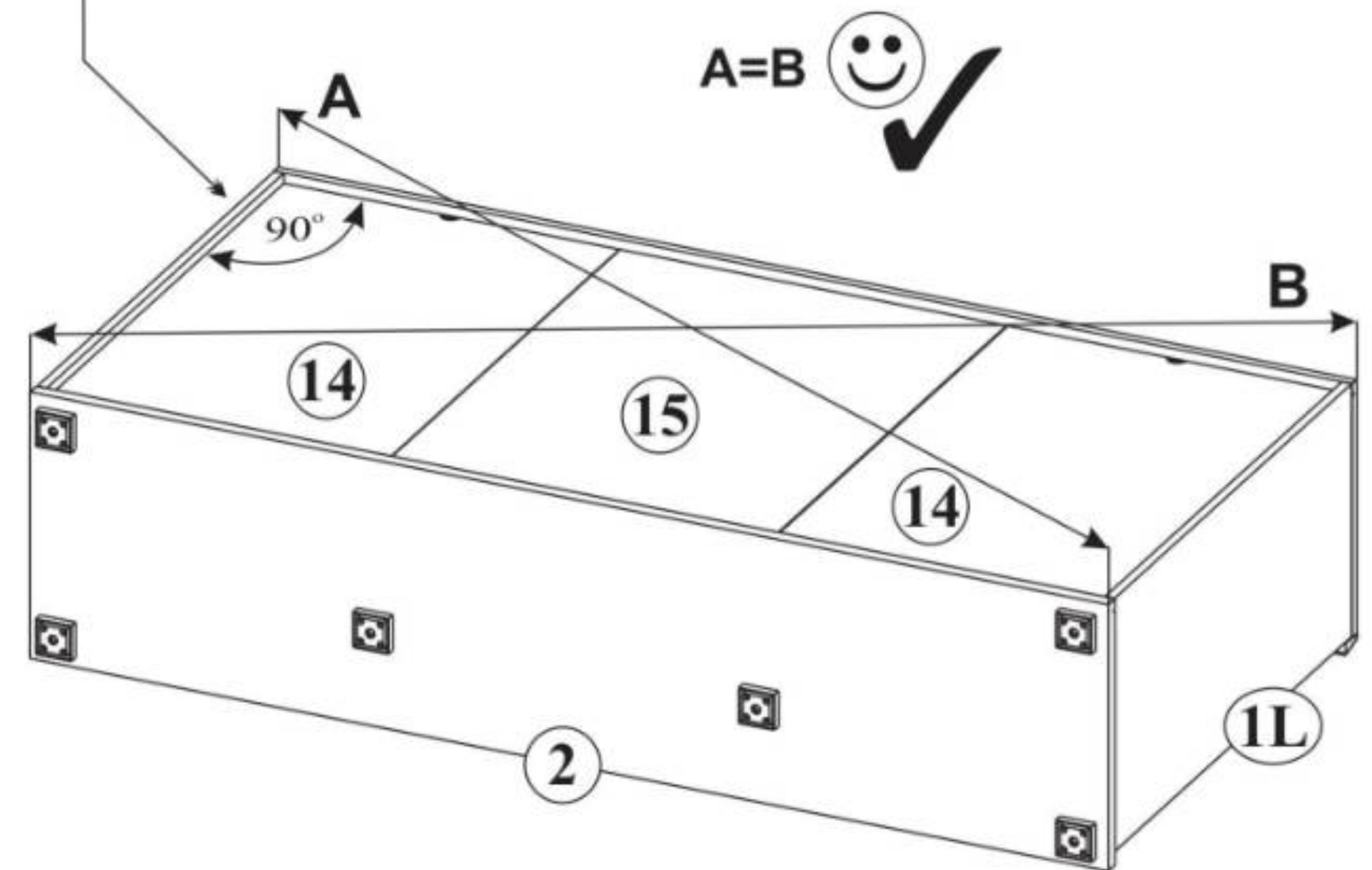
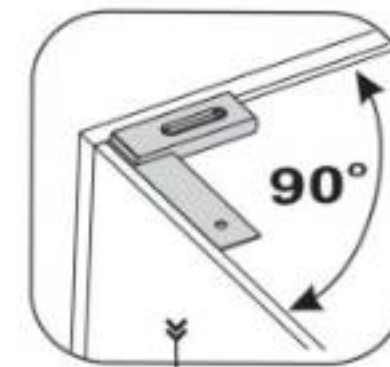
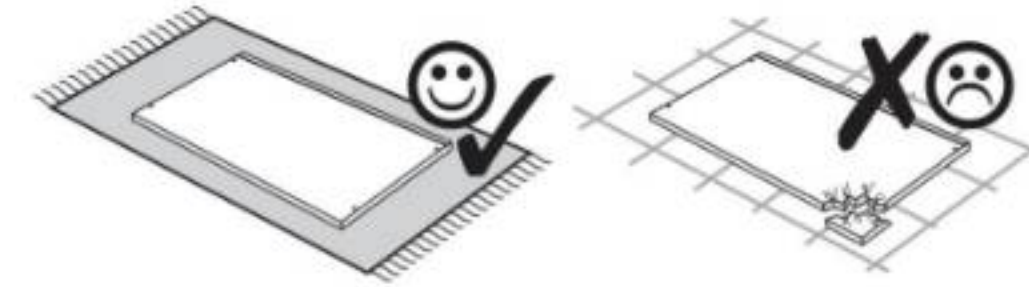


9

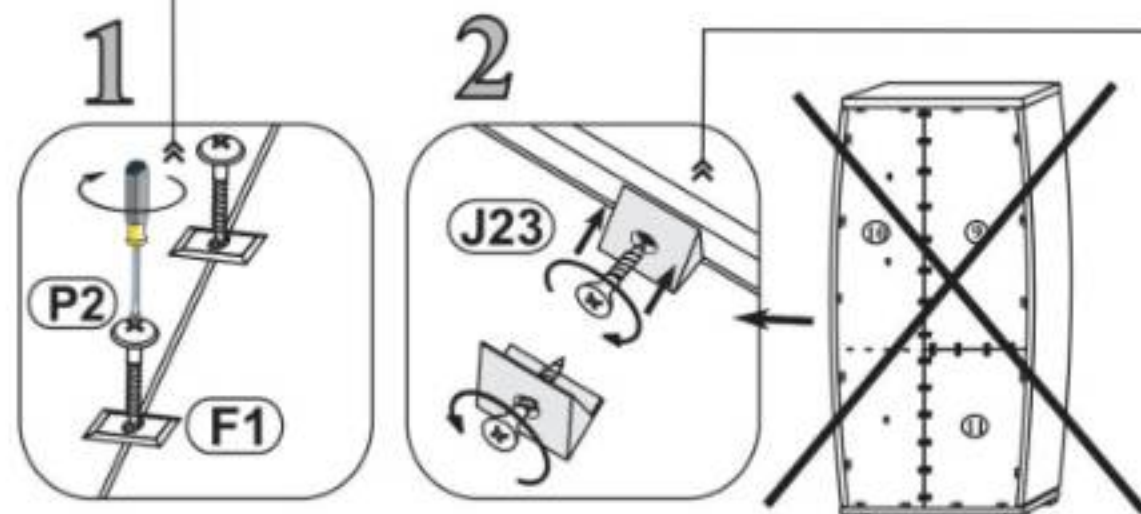
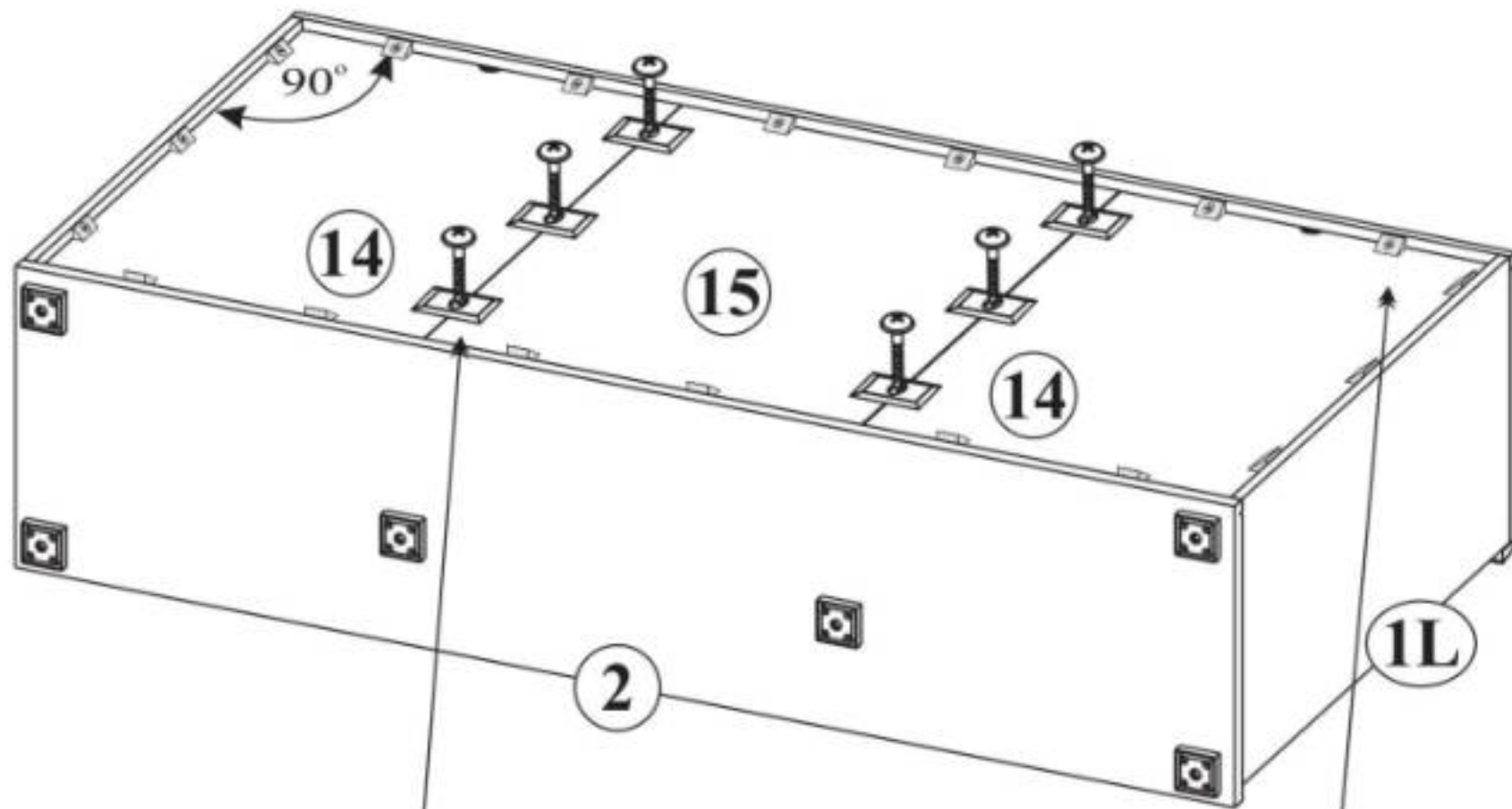
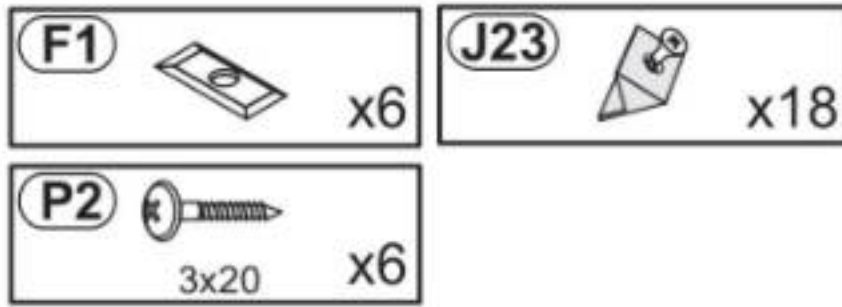
P13
3,5x13 X12



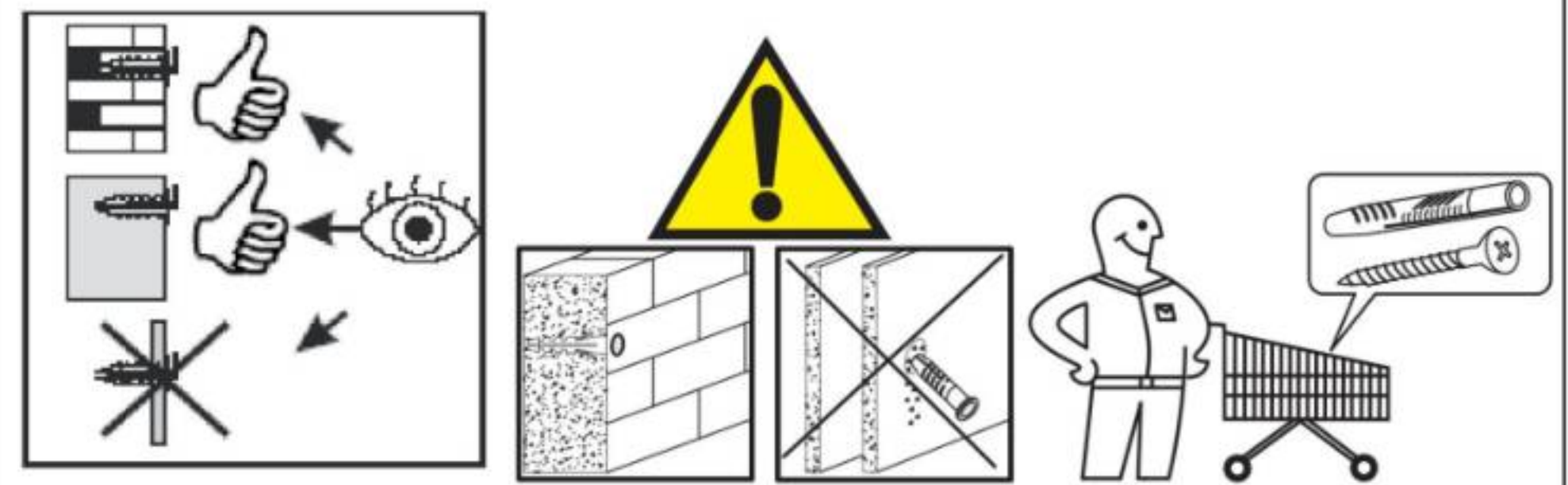
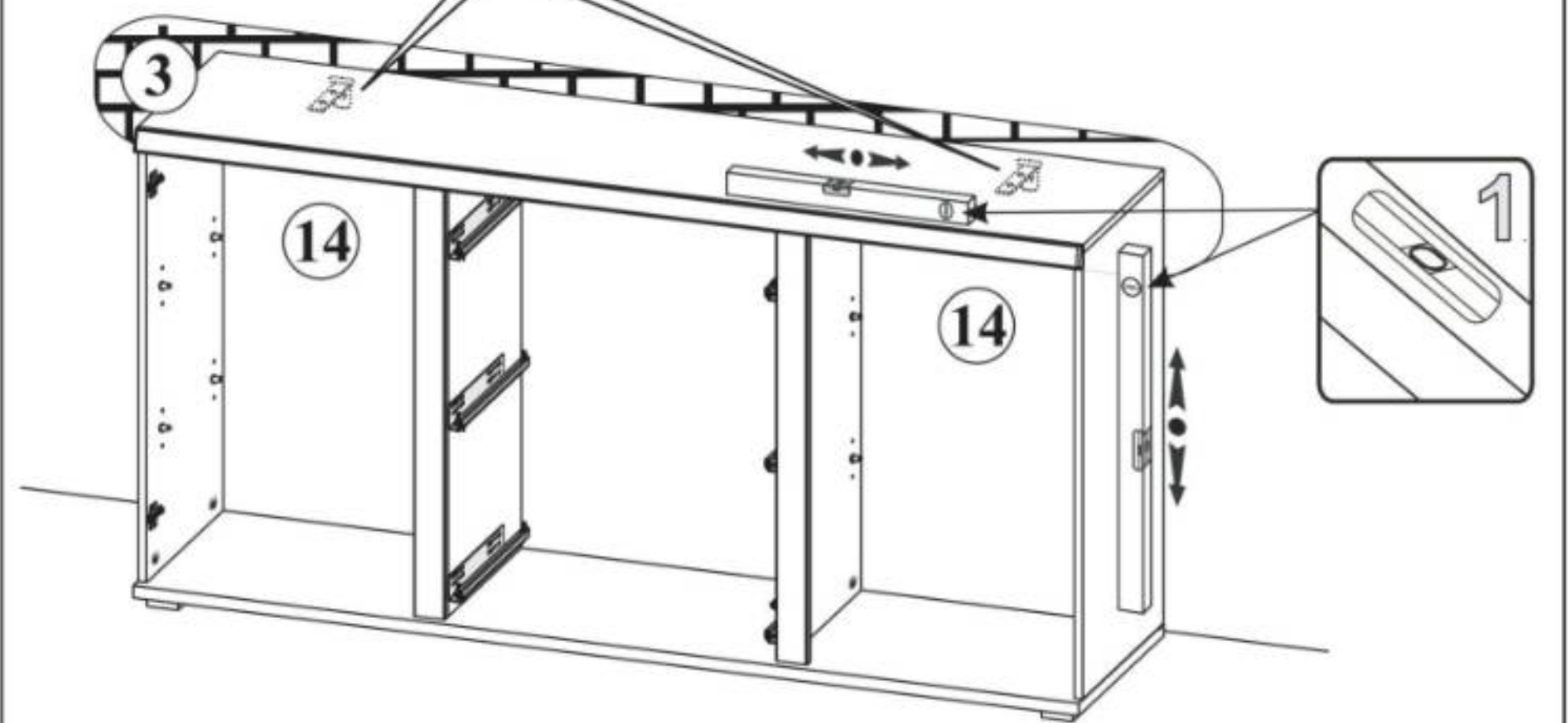
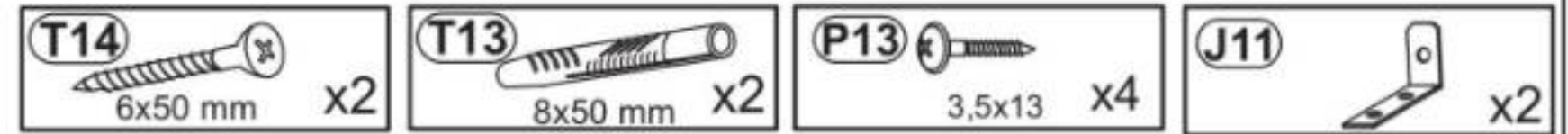
10



11



12

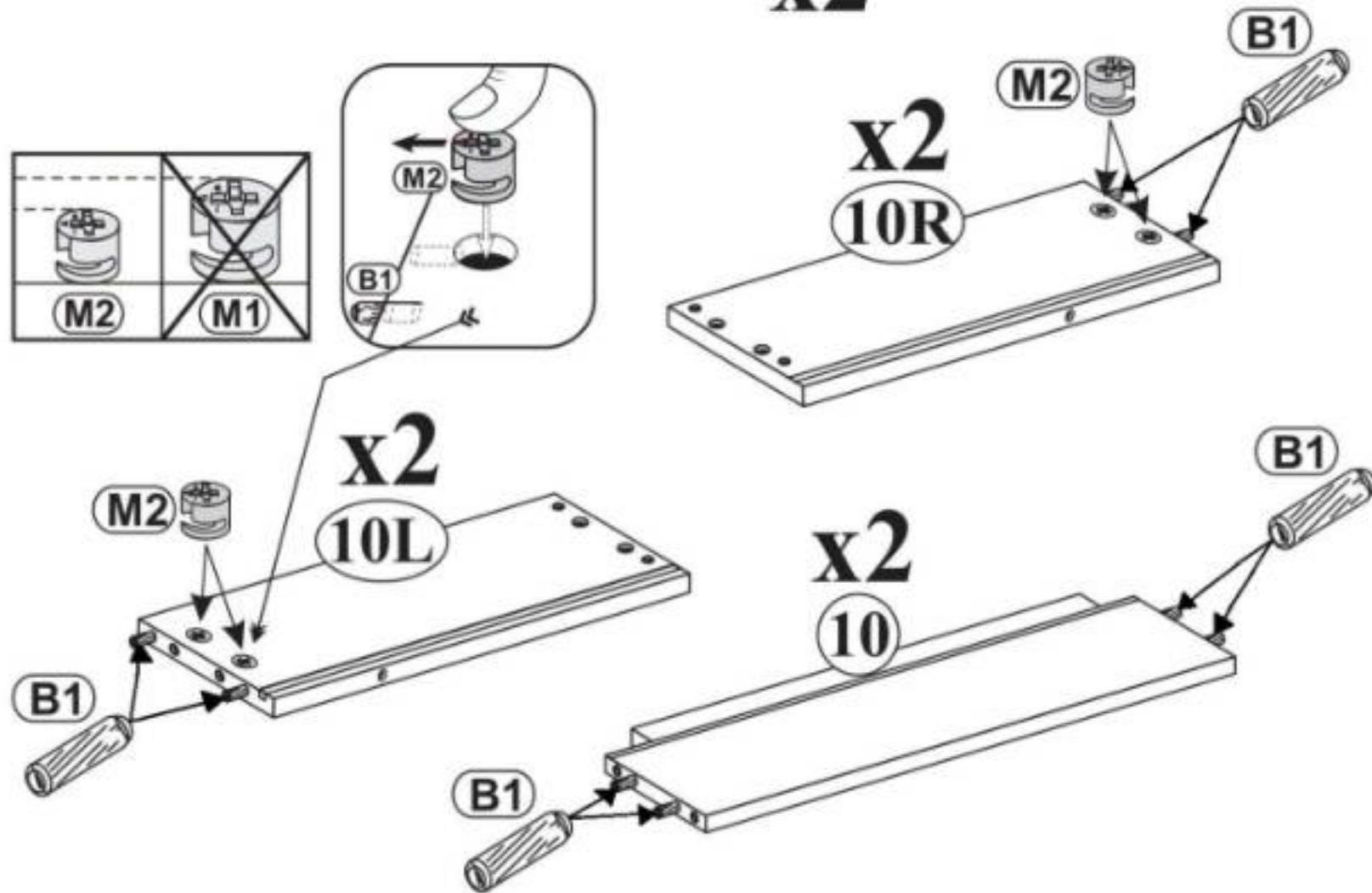
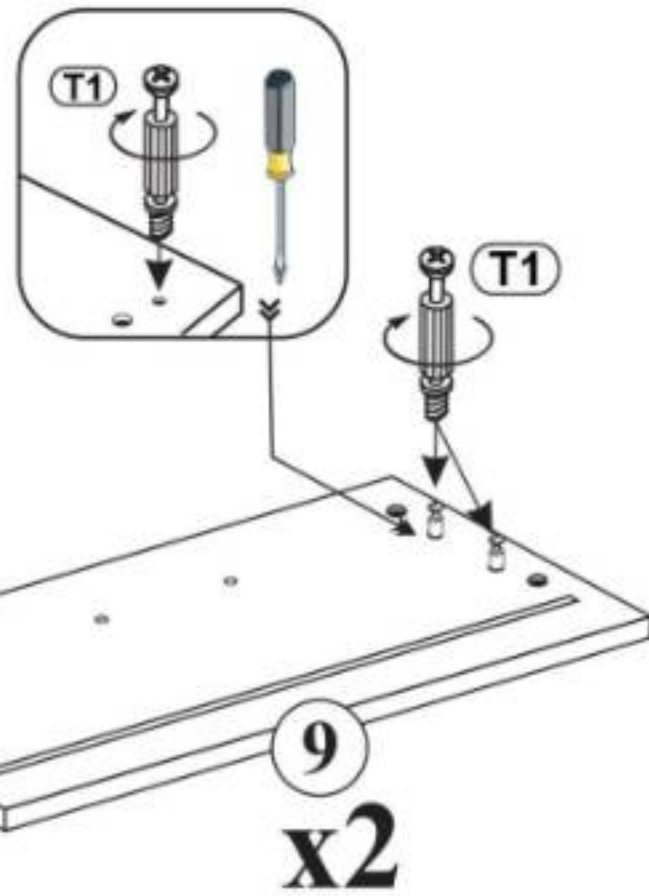
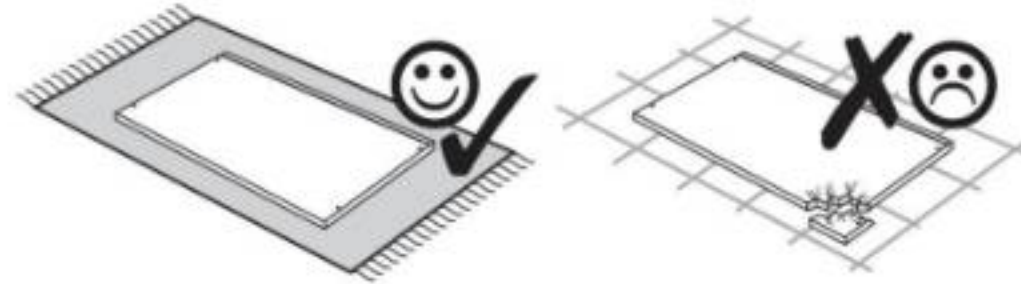


13

M2
φ15x10mm x8

T1
x8

B1
φ 8x30 x16

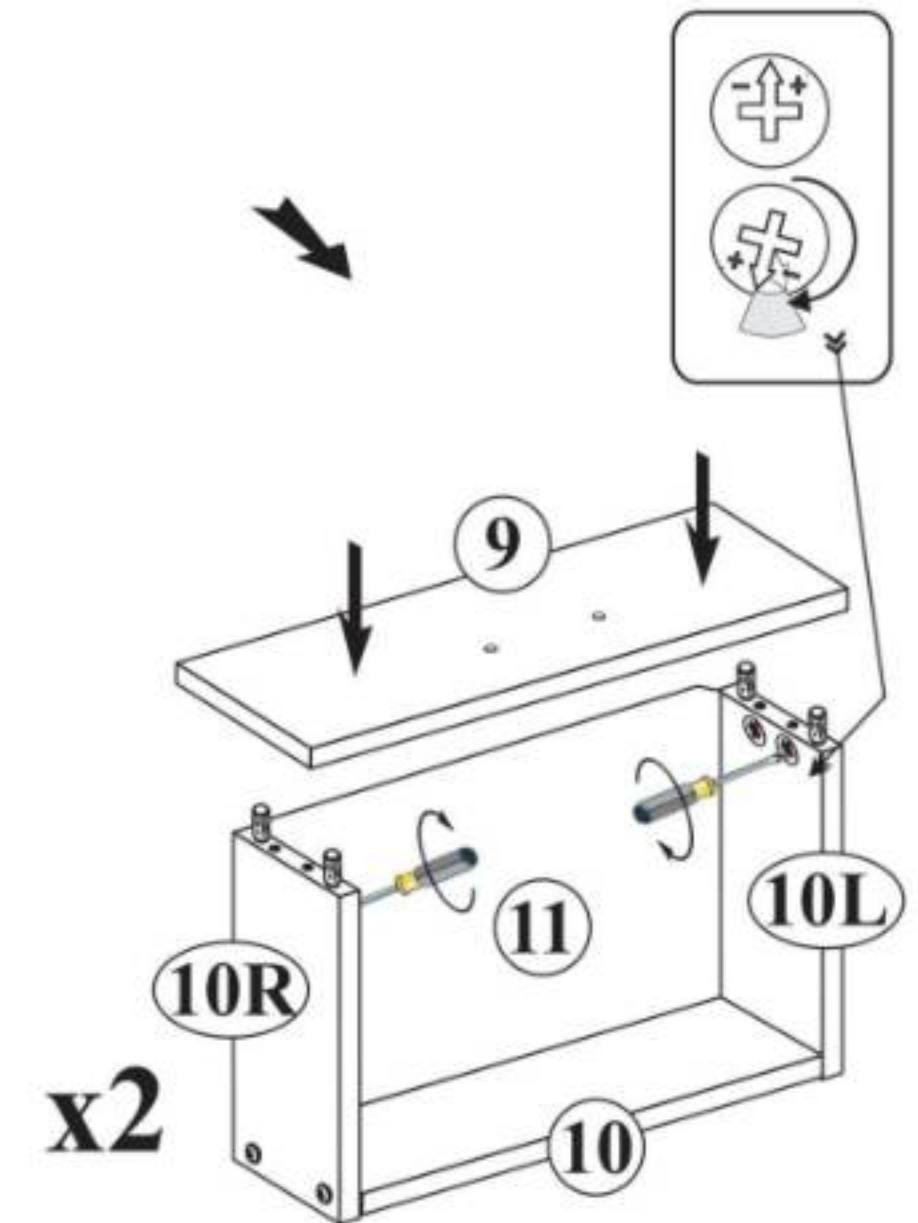
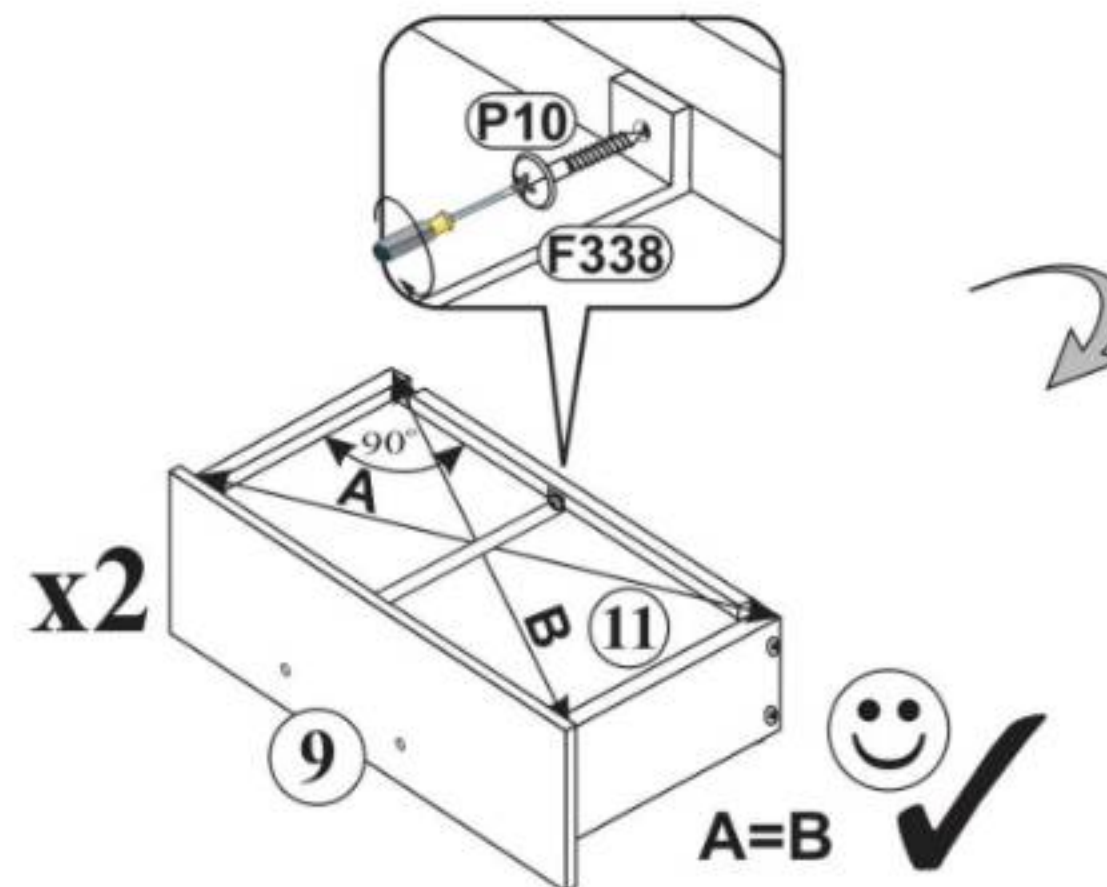
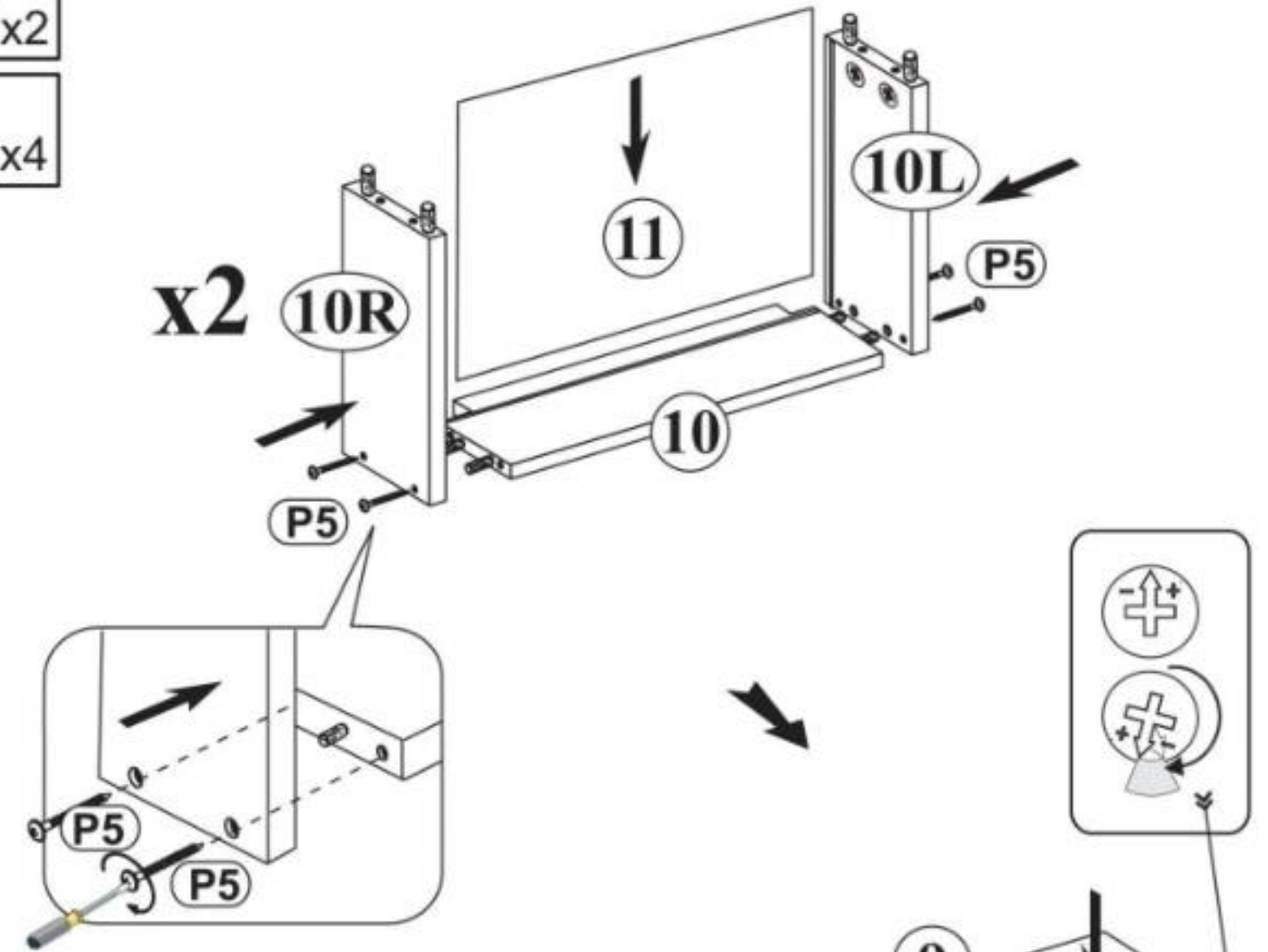


14

P5
3,5x30 x8

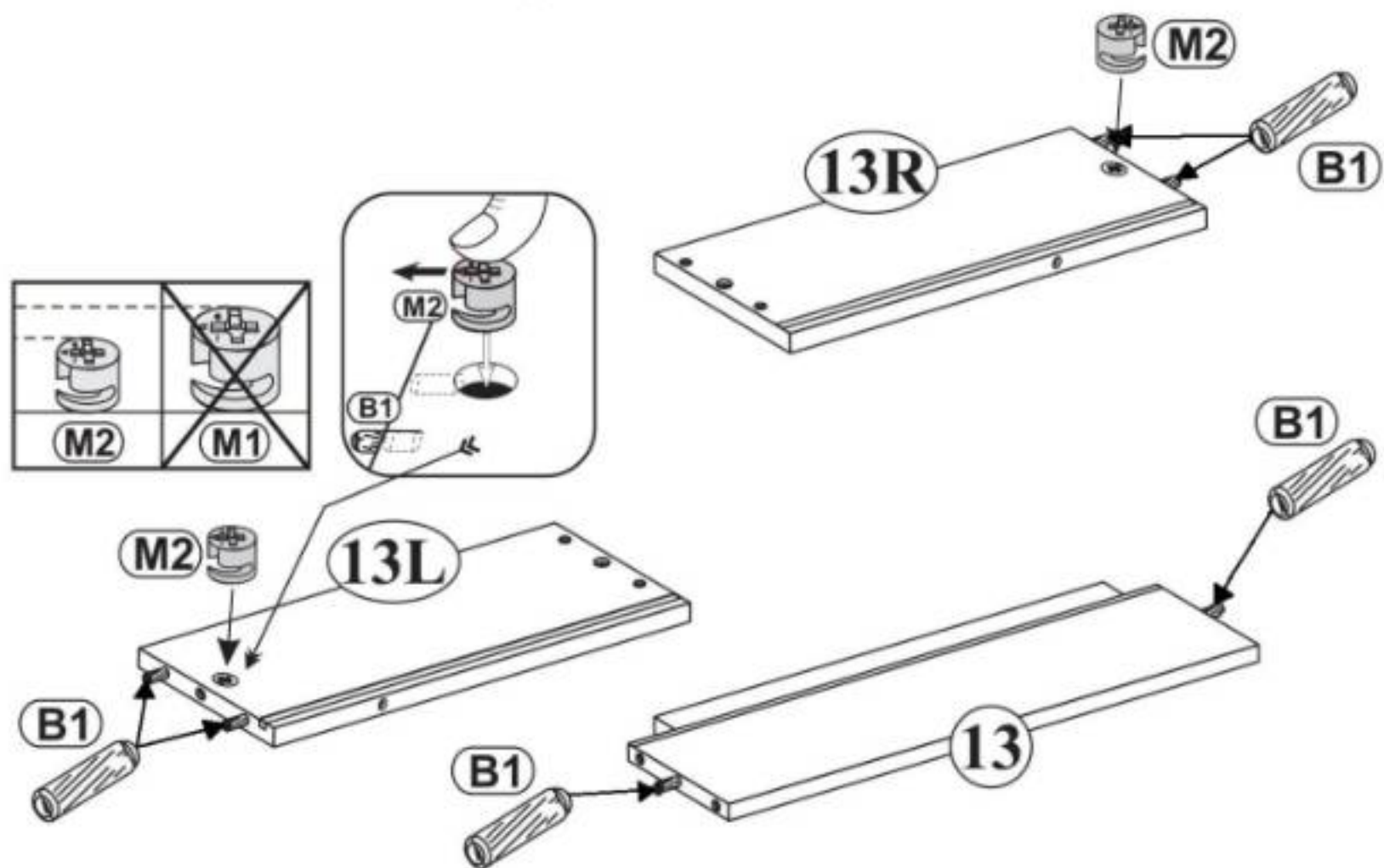
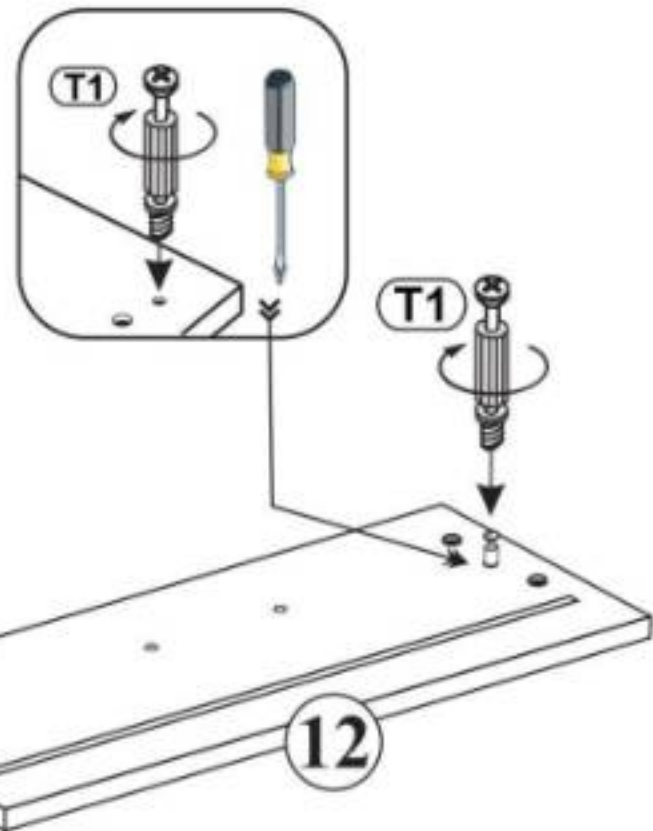
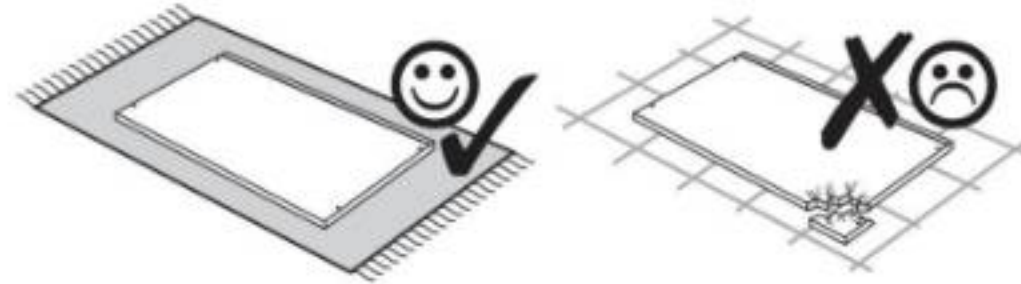
F338
L-338 x2

P10
3x13 x4



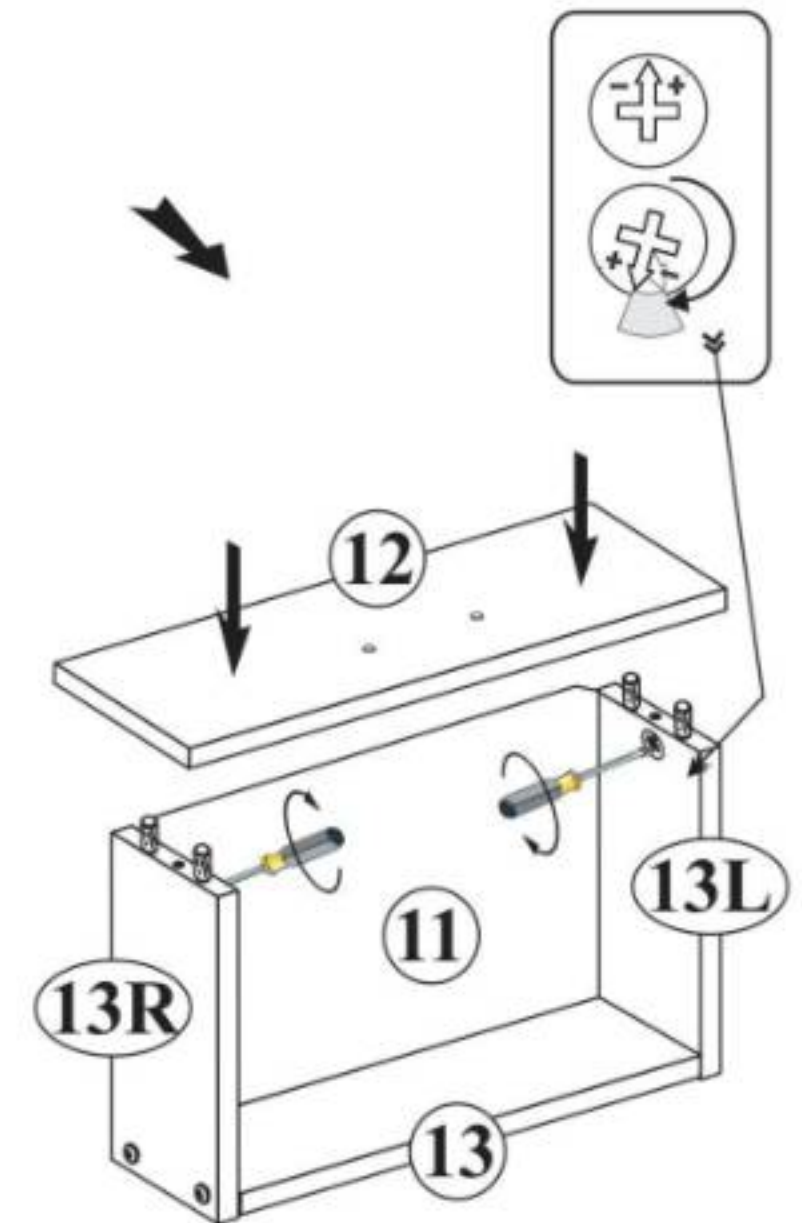
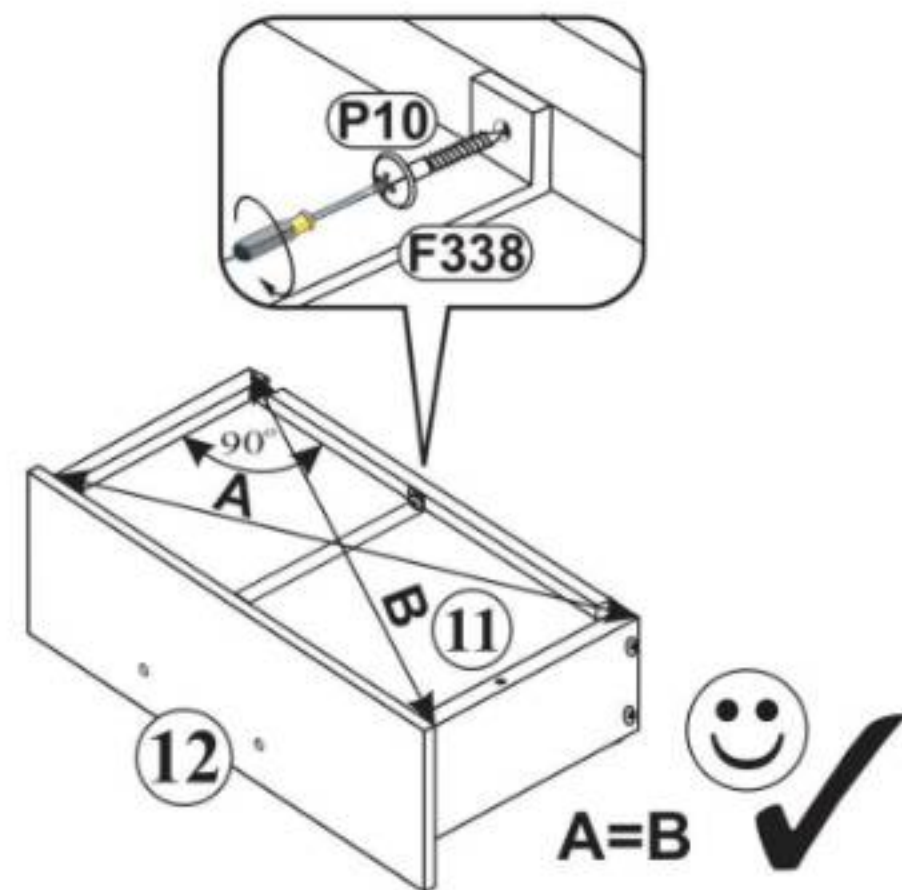
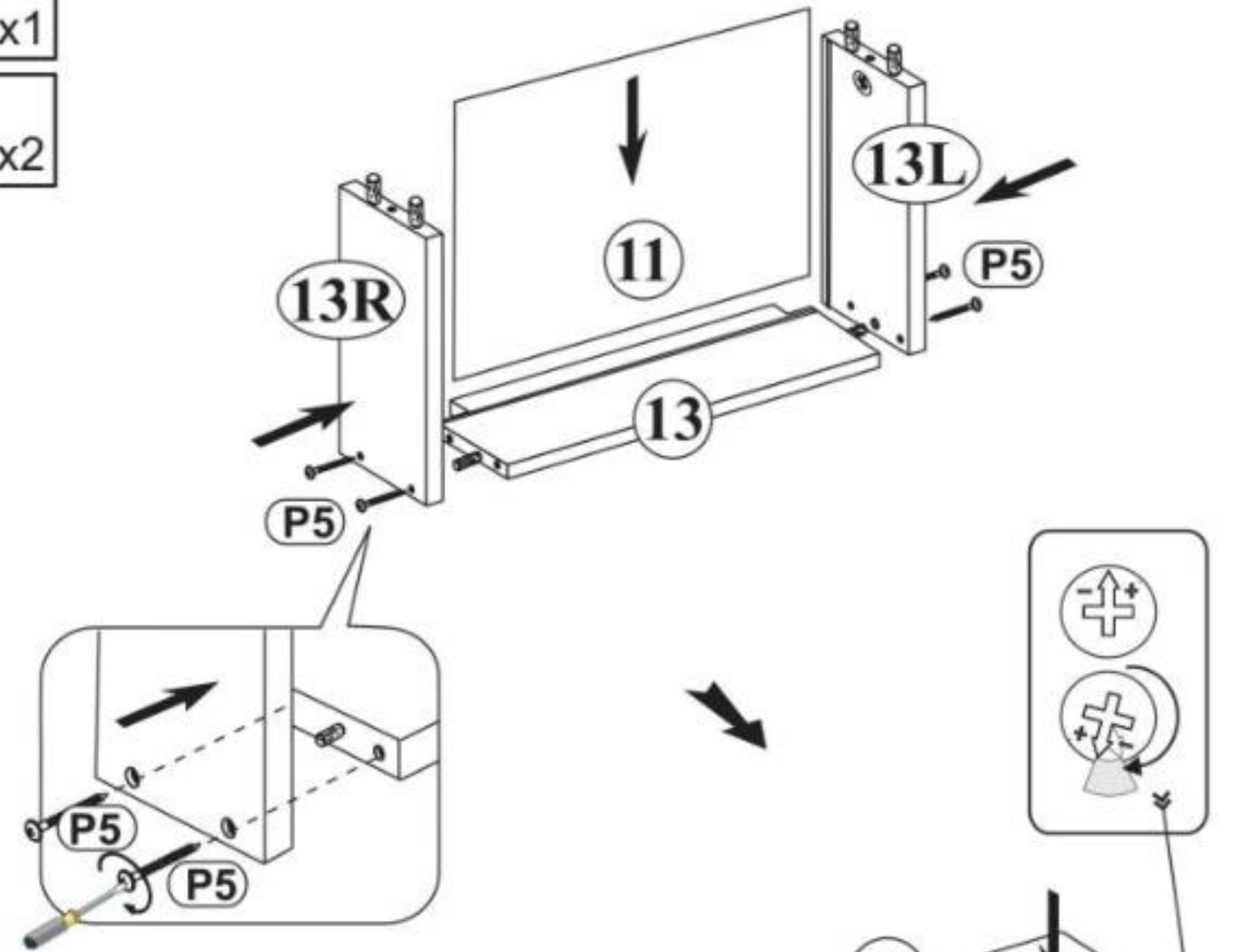
15

- M2** $\phi 15 \times 10 \text{mm}$  x2
- T1**  x2
- B1** $\phi 8 \times 30$  x6

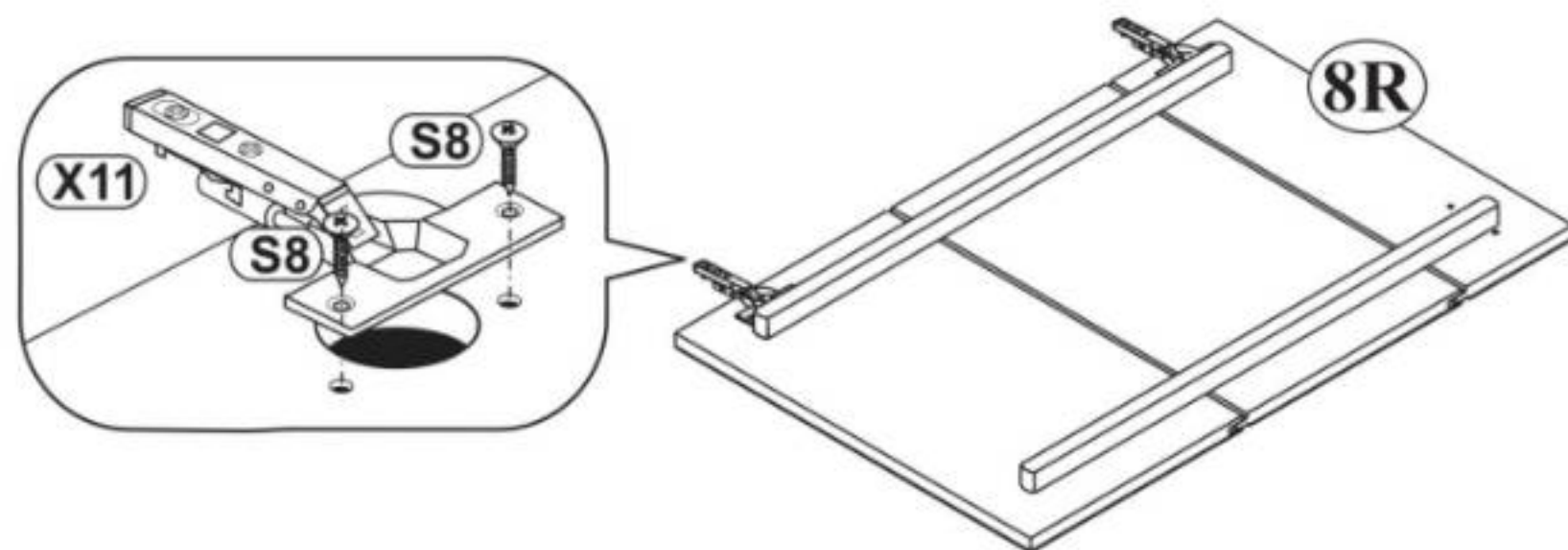
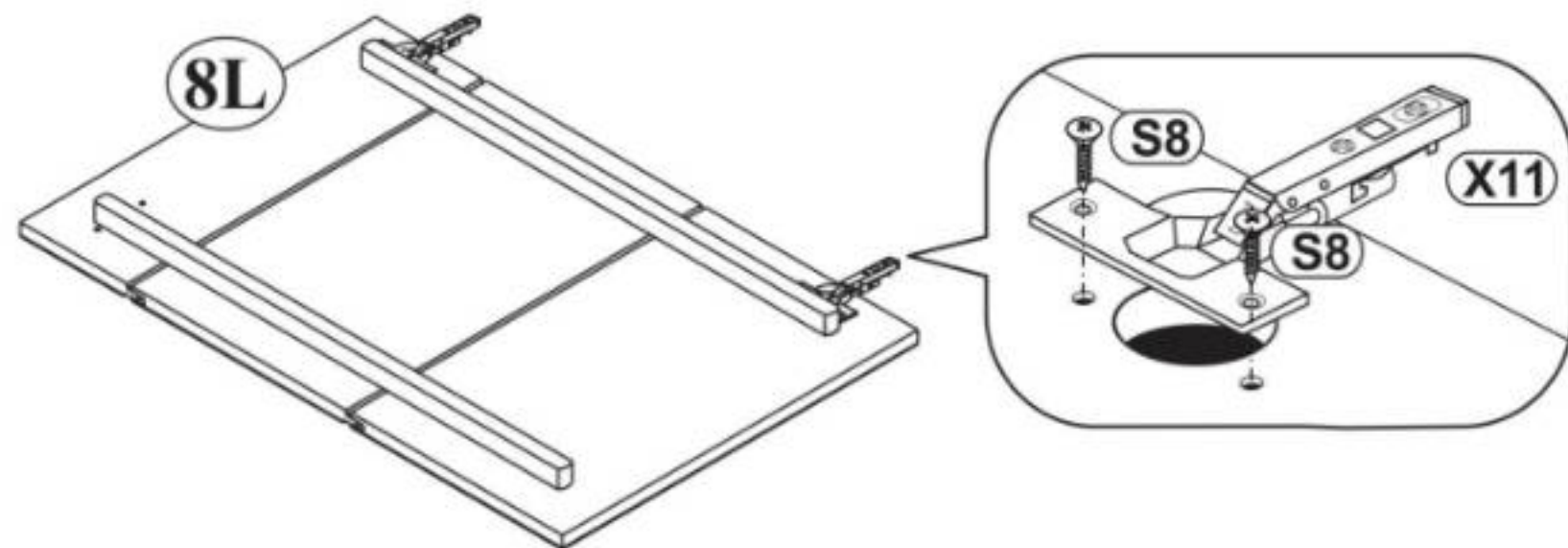
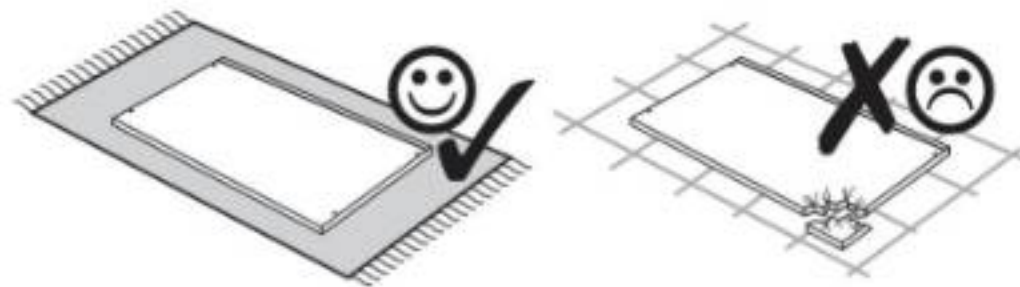
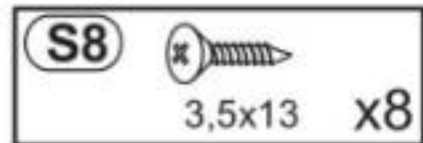
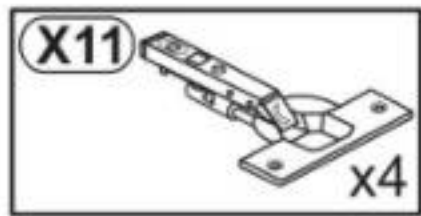


16

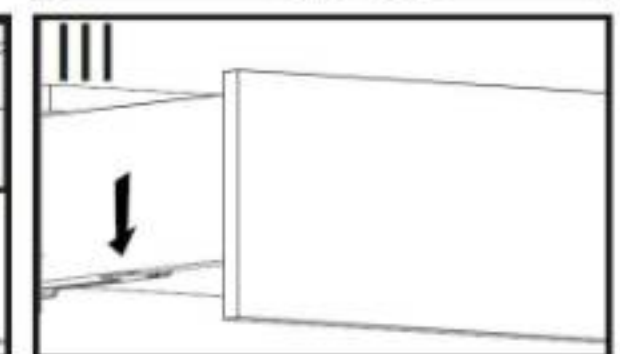
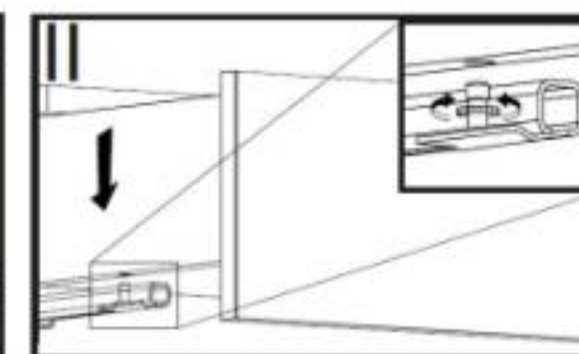
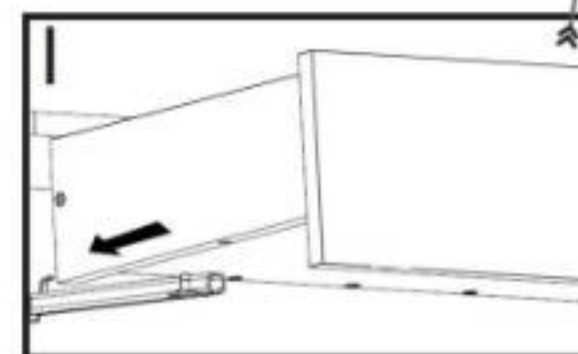
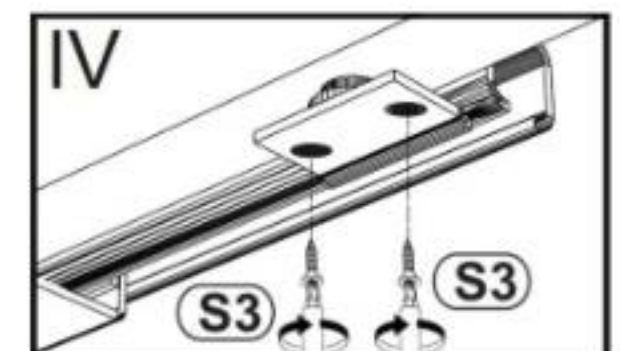
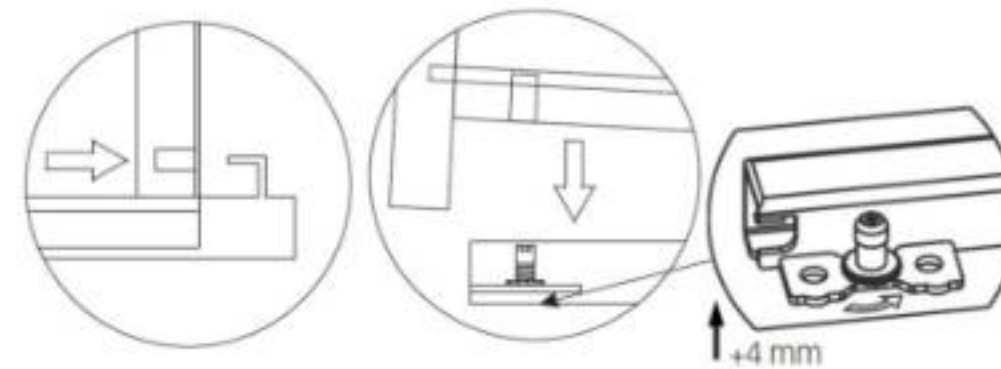
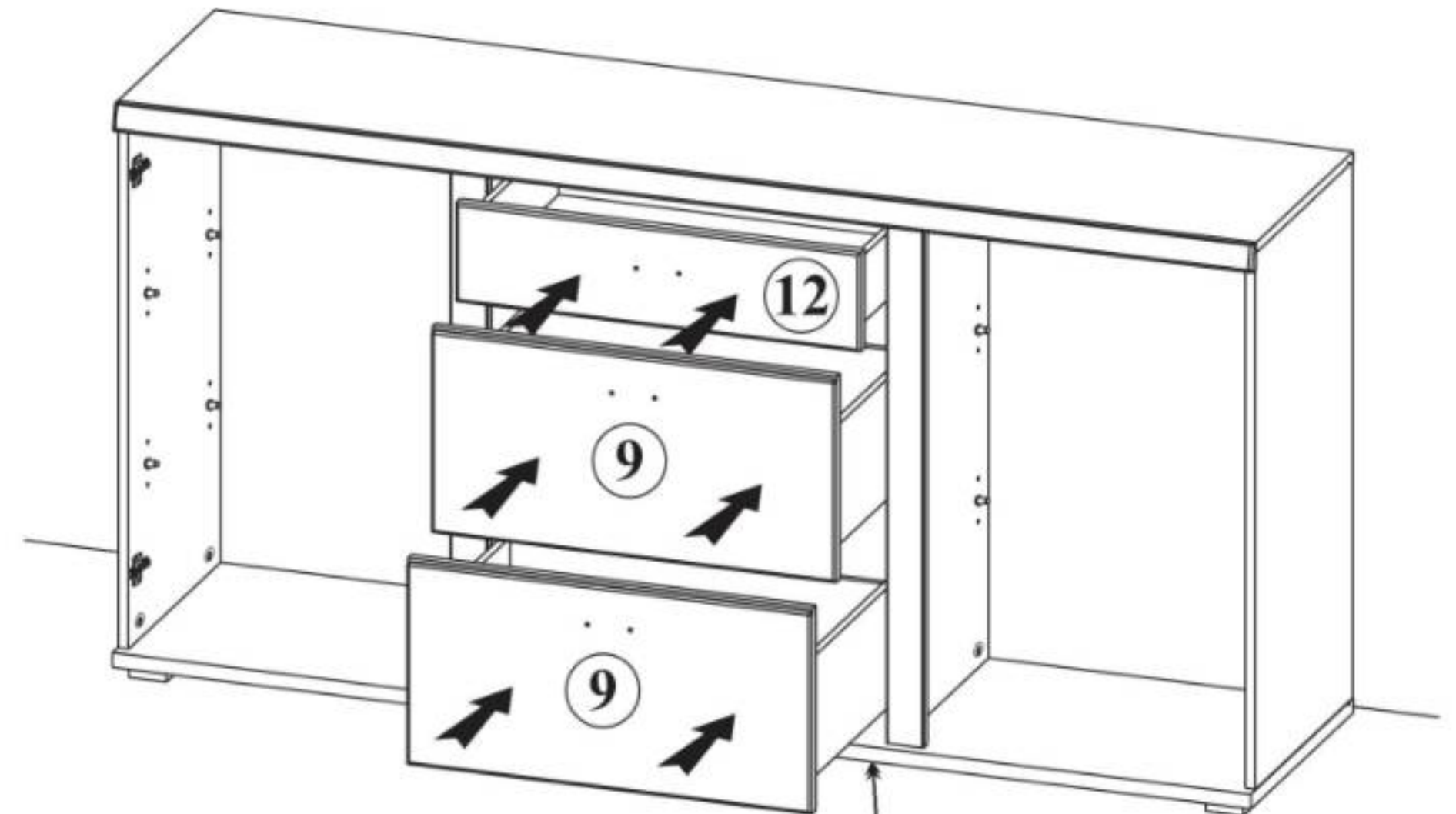
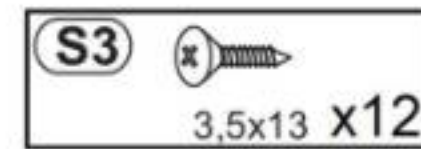
- P5** 3.5×30  x4
- F338**  L-338 x1
- P10** 3×13  x2



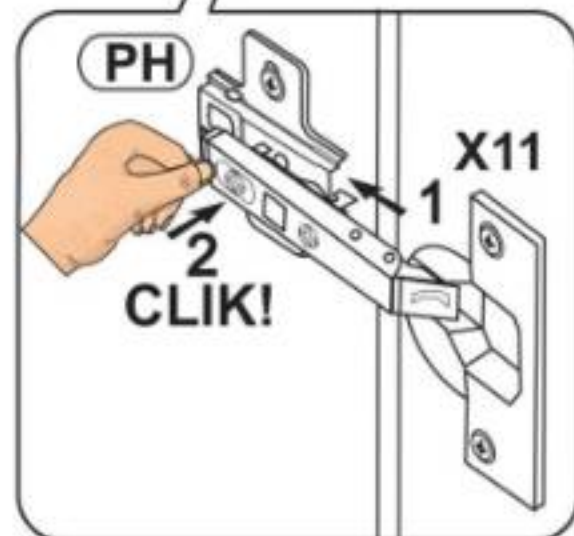
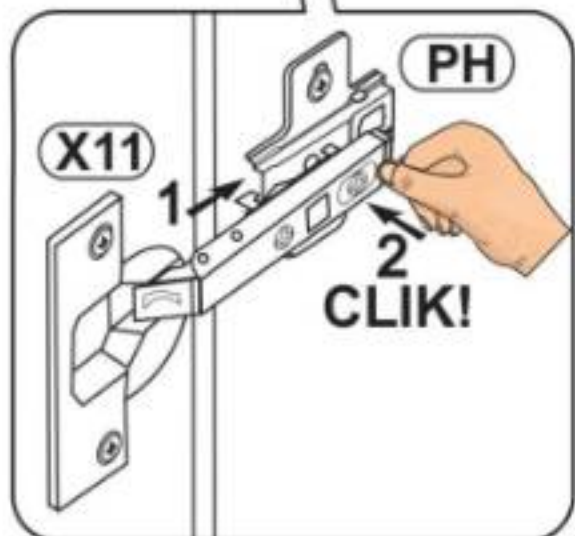
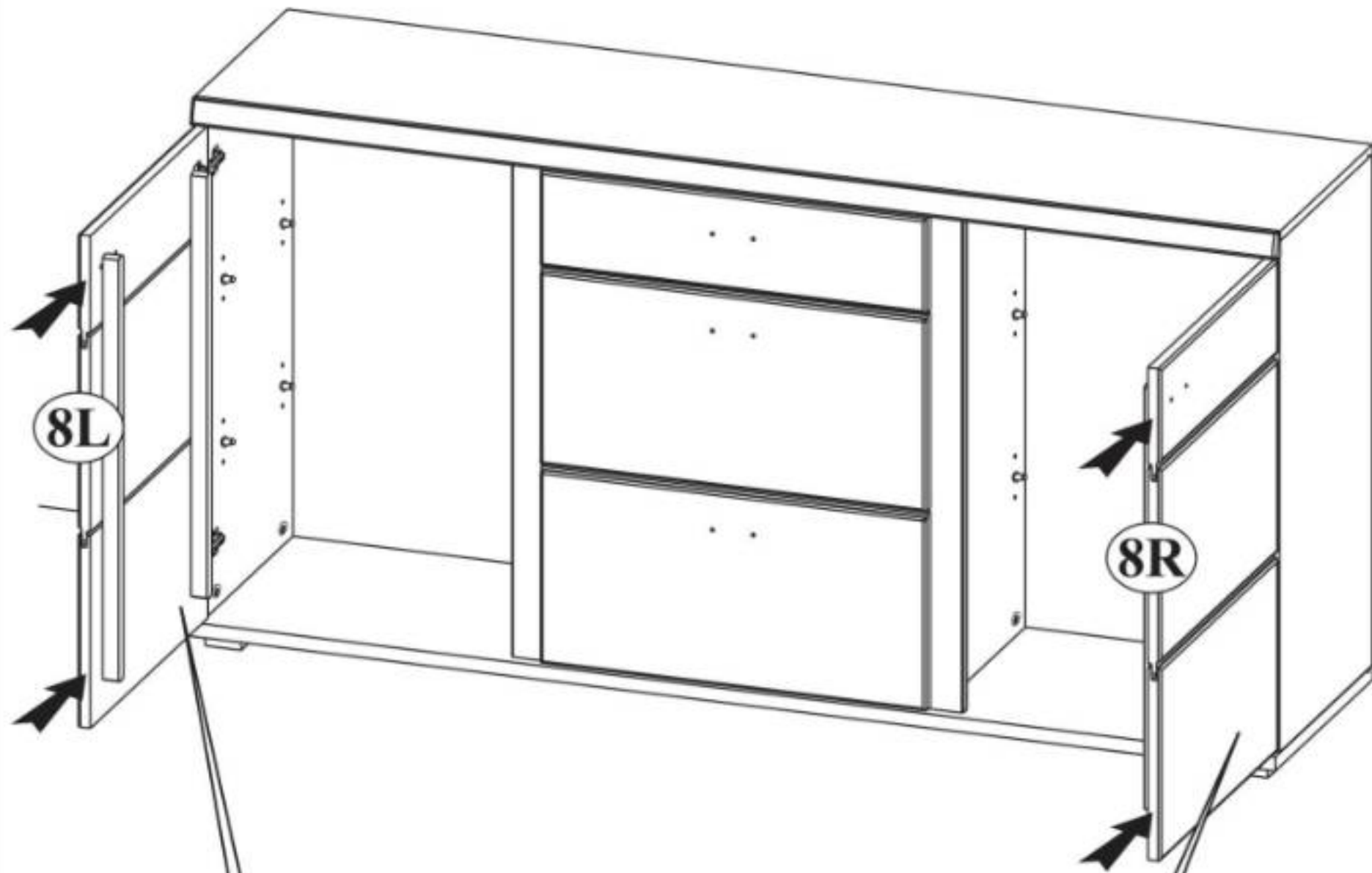
17



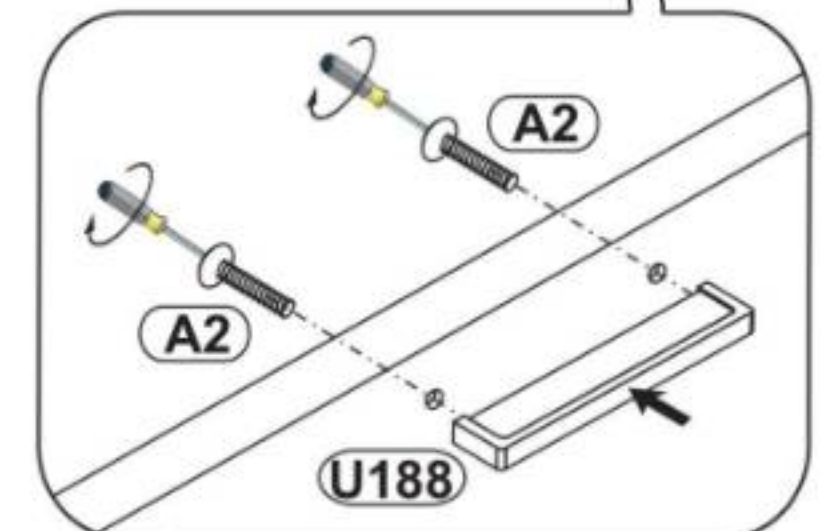
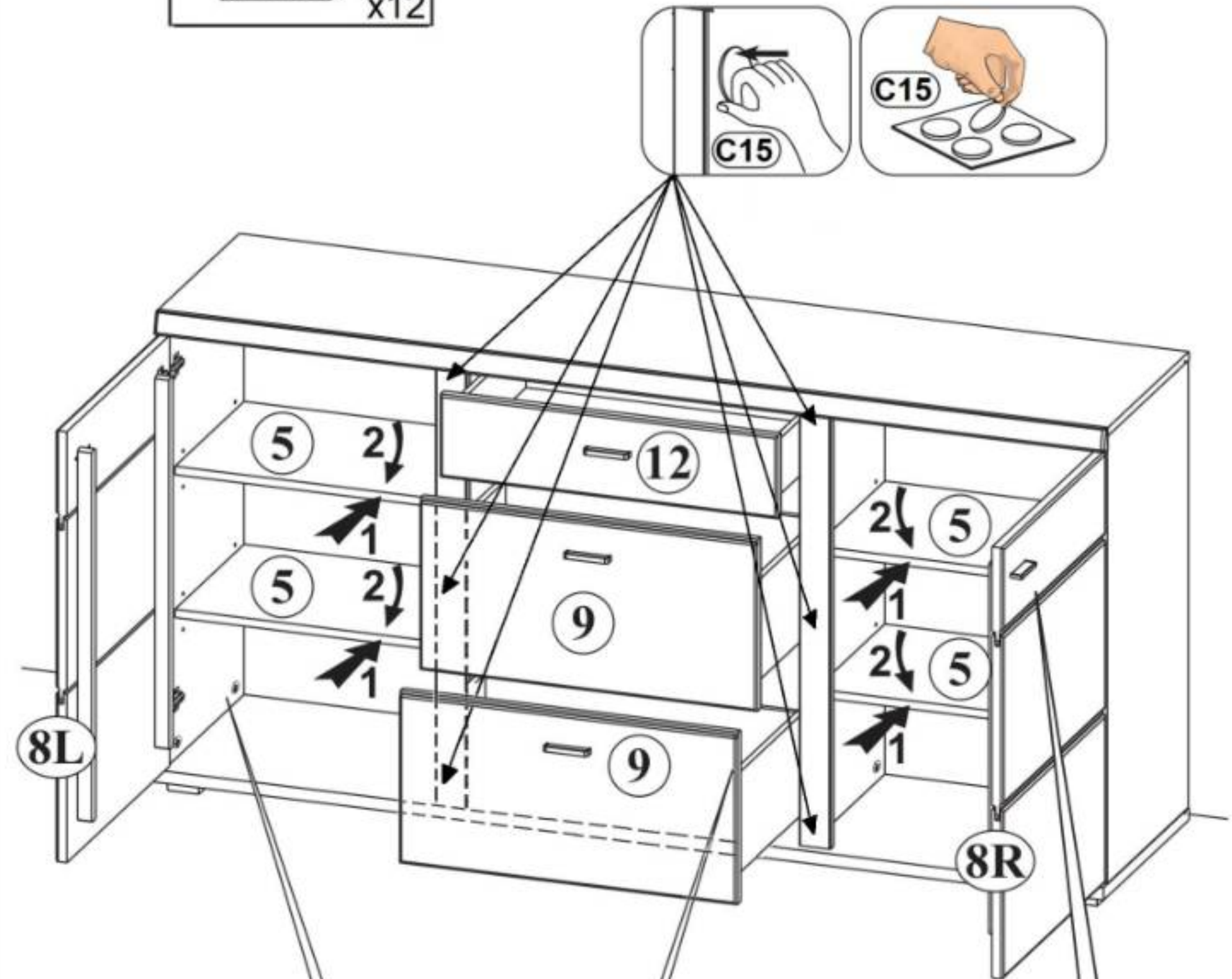
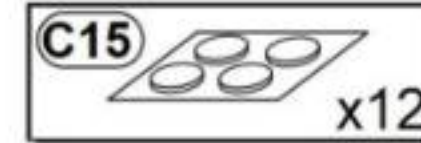
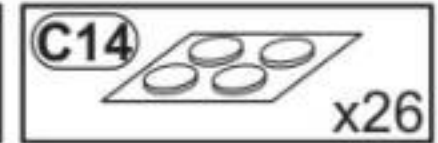
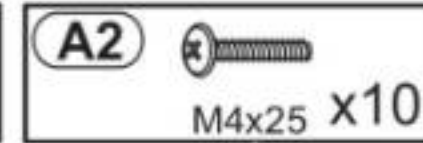
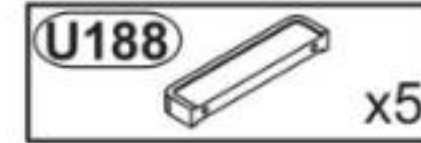
18



19



20



21

