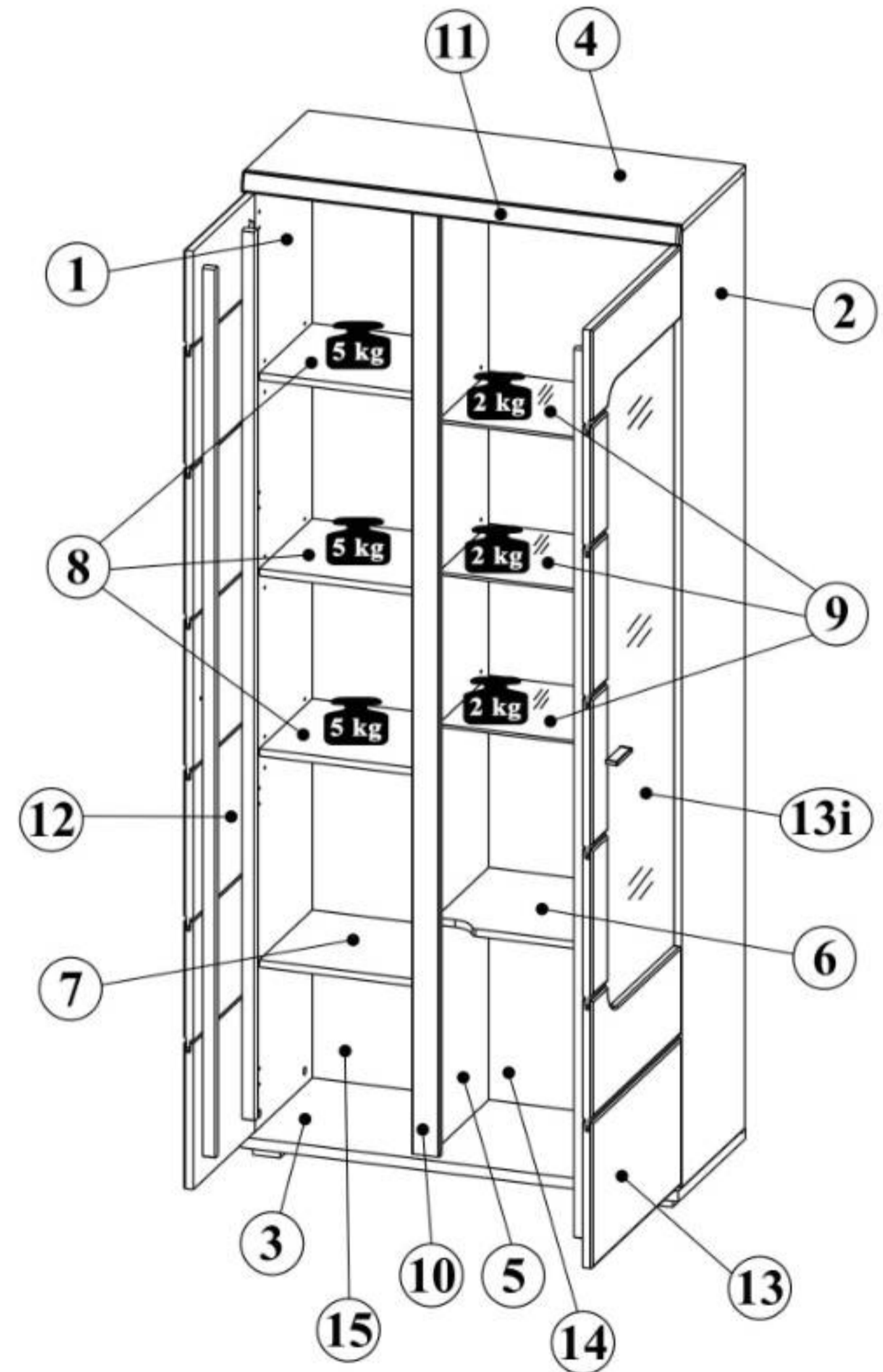
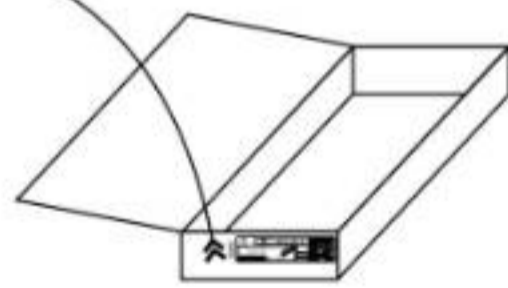



B - 901mm
 H - 2022mm
 T - 380mm





1	1962	358	1	2
2	1962	358	1	2
3	900	380	1	1
4	900	358	1	1
5	1962	322	1	2
6	504	355	1	1
7	346	300	1	1
8	345	300	3	1
9	503	290	3	1
10	1962	55	1	3
11	902	40	1	1
12	1932	350	1	3
13	1932	506	1	3
13i	1348	442	1	3
14	1973	515	1	3
15	1973	359	1	2





NR 1

B1  ϕ 8x30 x26


M1  ϕ 15x12mm x27


T1  x27


W1  x12


W13  12


NR 2

J23  x22


F1  x7


P2  3x20 x11


C14  x27

C15  x6


NR 3

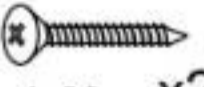
X11  x7

PH  x7


S8  3,5x13 x14


NR 4


N20  x5


S2  4x30 x20

NR 5


U188  x2


A2  M4x25 x2

A4  M4x12 x2

G4  L-4,5 ϕ 7 x2


NR 6


O21  MAX 2,4W x1


S3S  x3

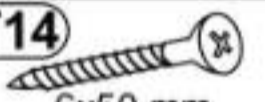
LED-Beleuchtung:
Zeta S 3S

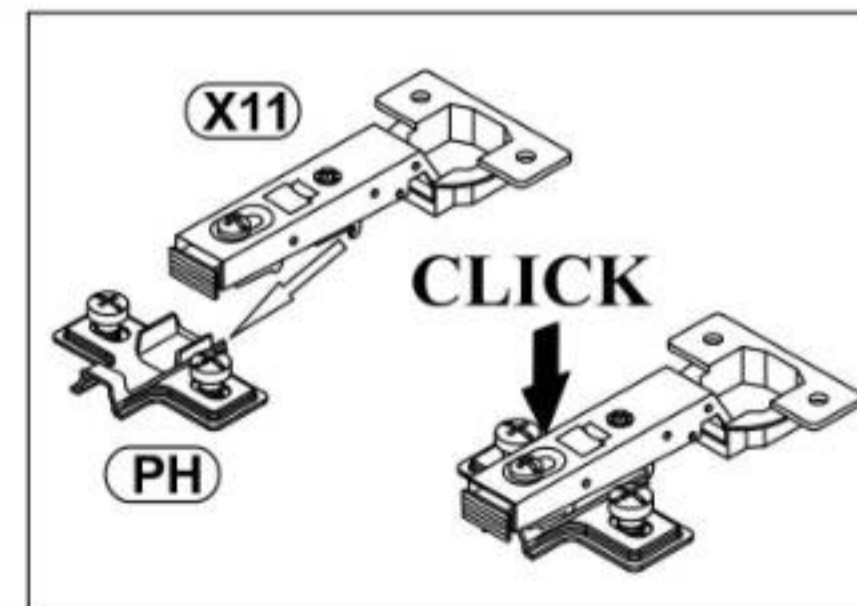
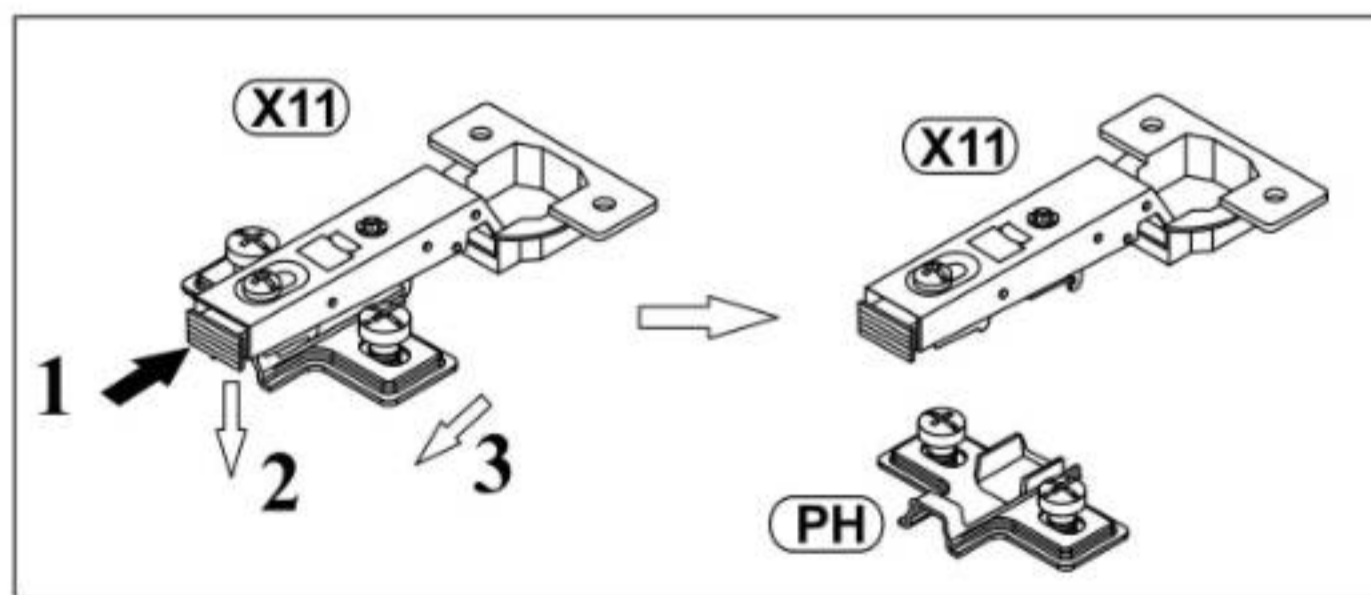
NR 7

J11  x1

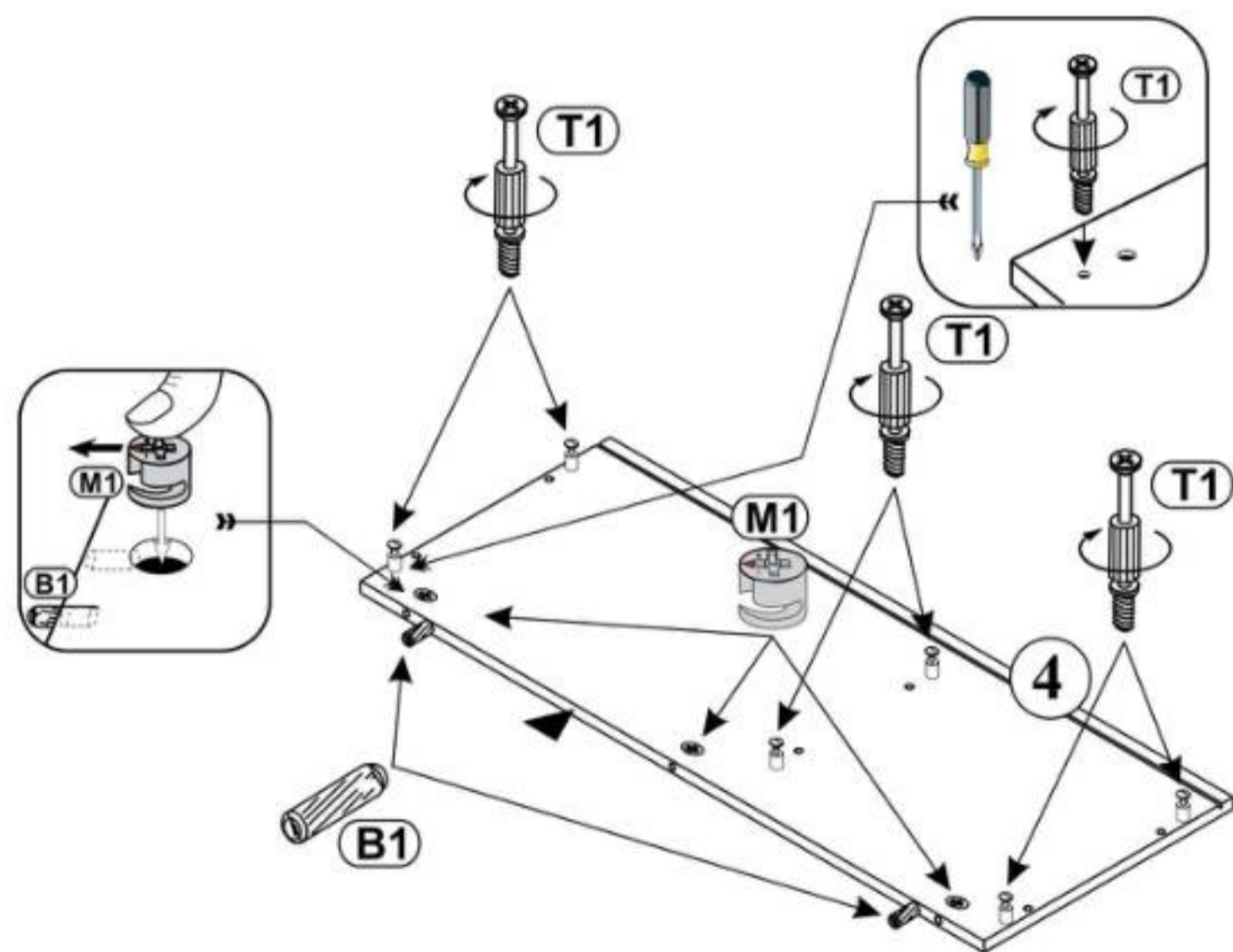
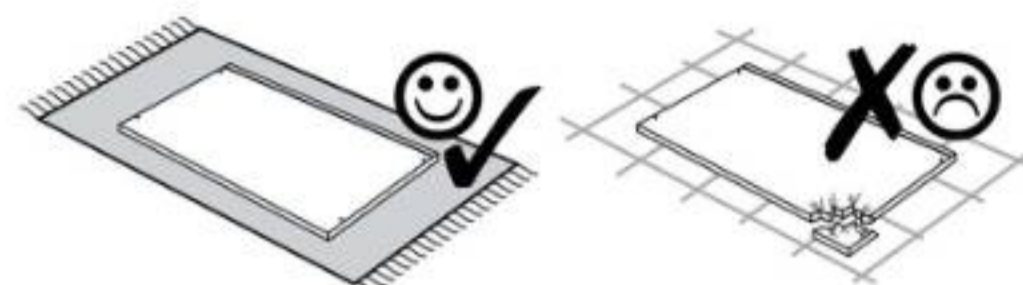
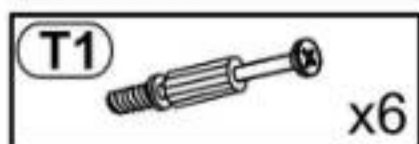
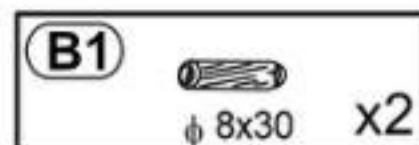
P13  3,5x13 x2

T13  8x50 mm x1

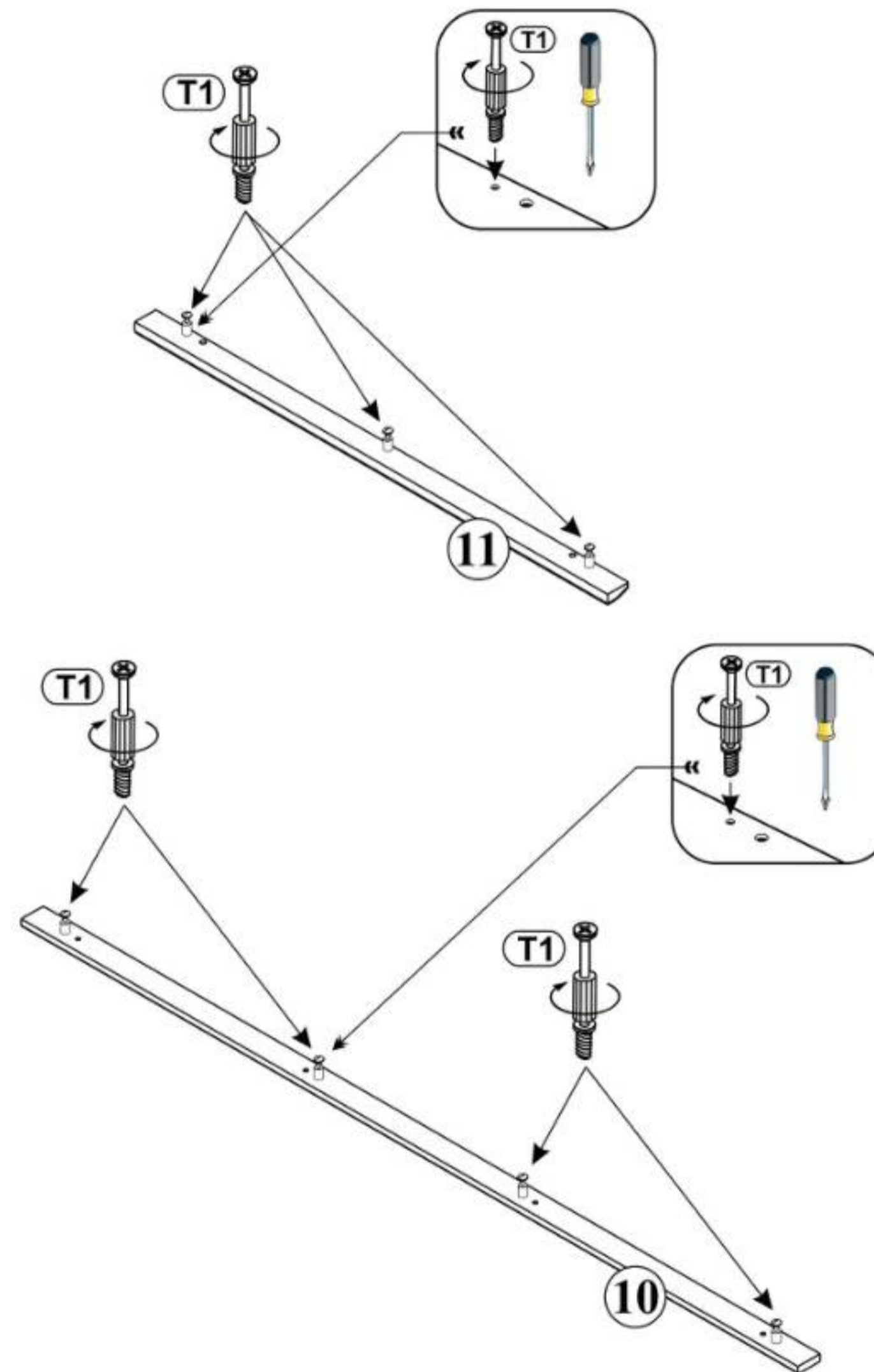
T14  6x50 mm x1




1



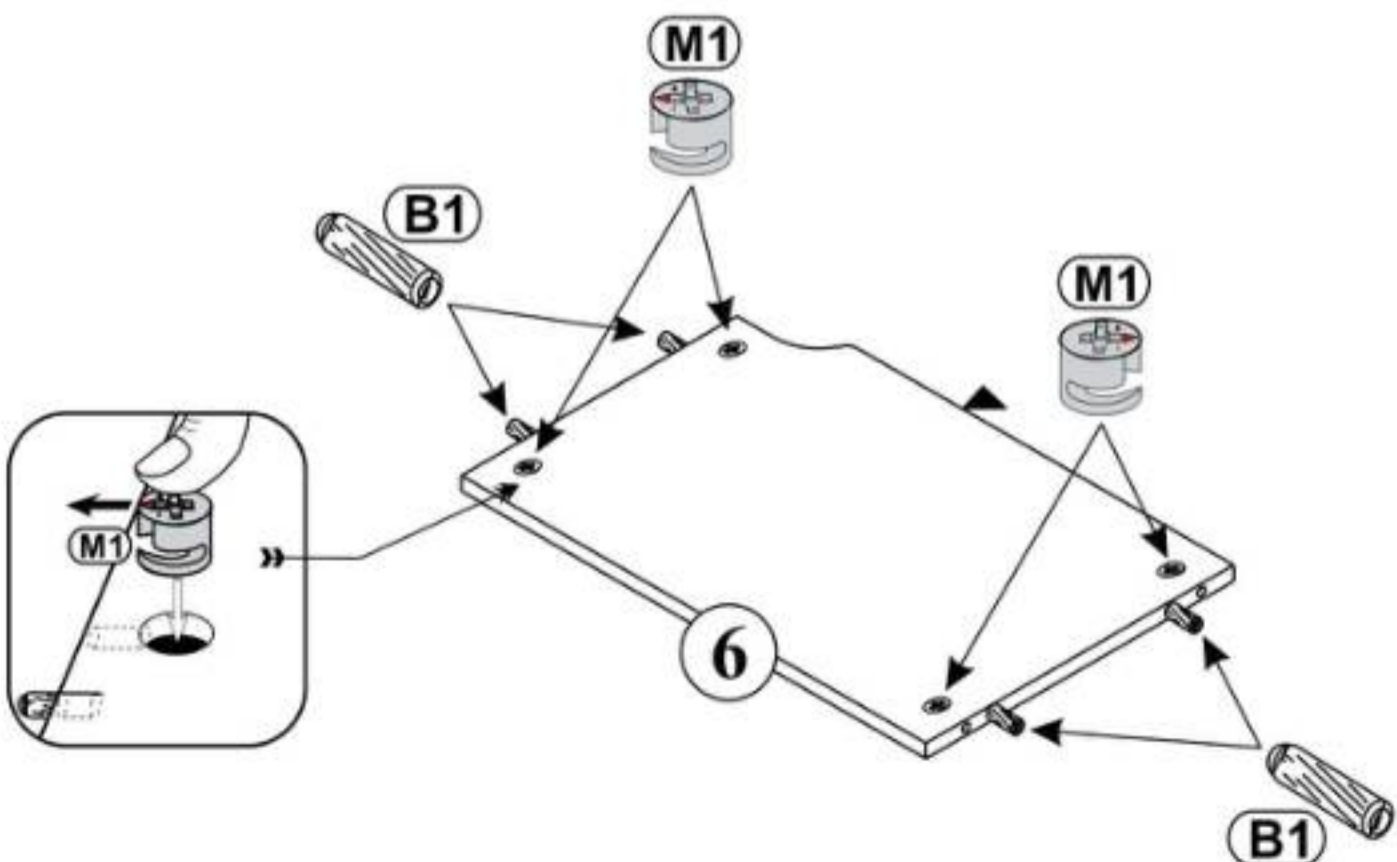
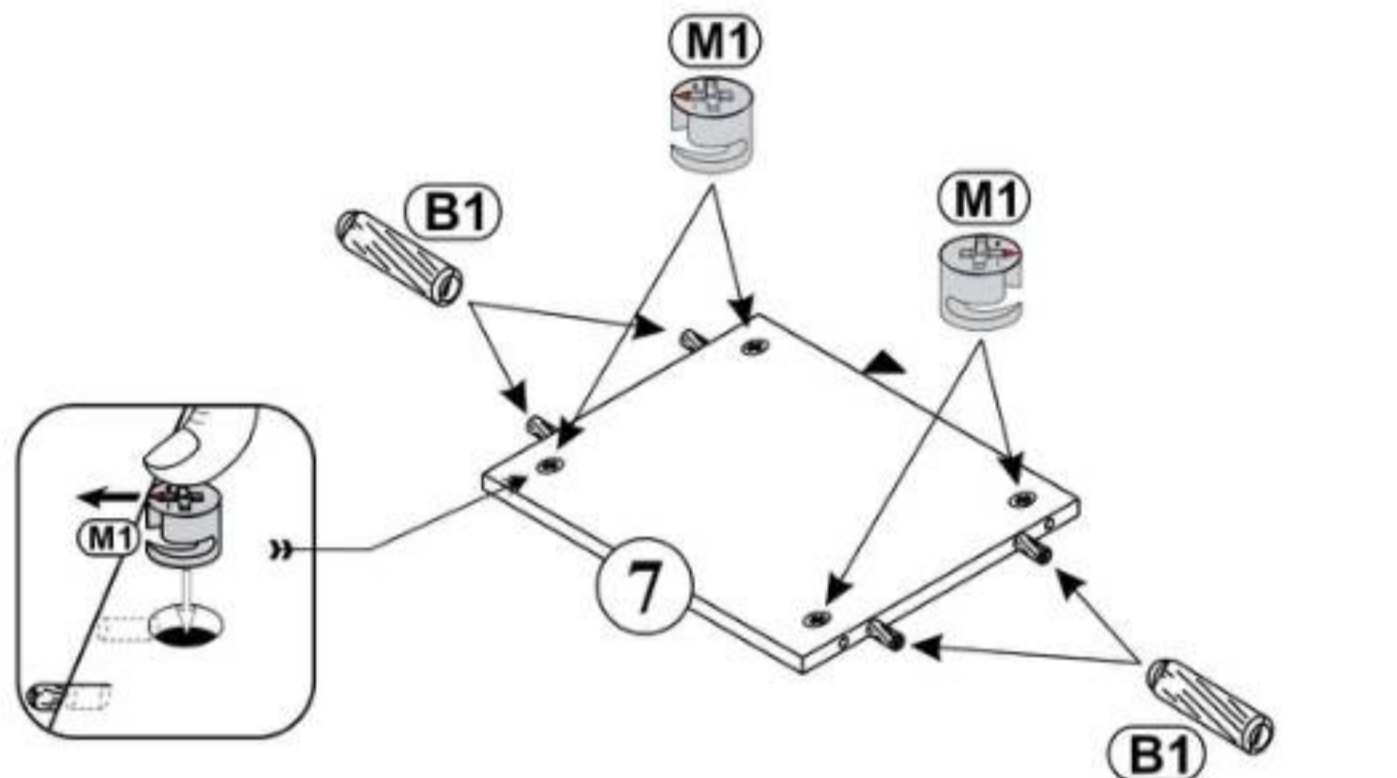
2



3

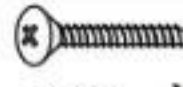
(B1)  ϕ 8x30 x8


(M1)  ϕ 15x12mm x8

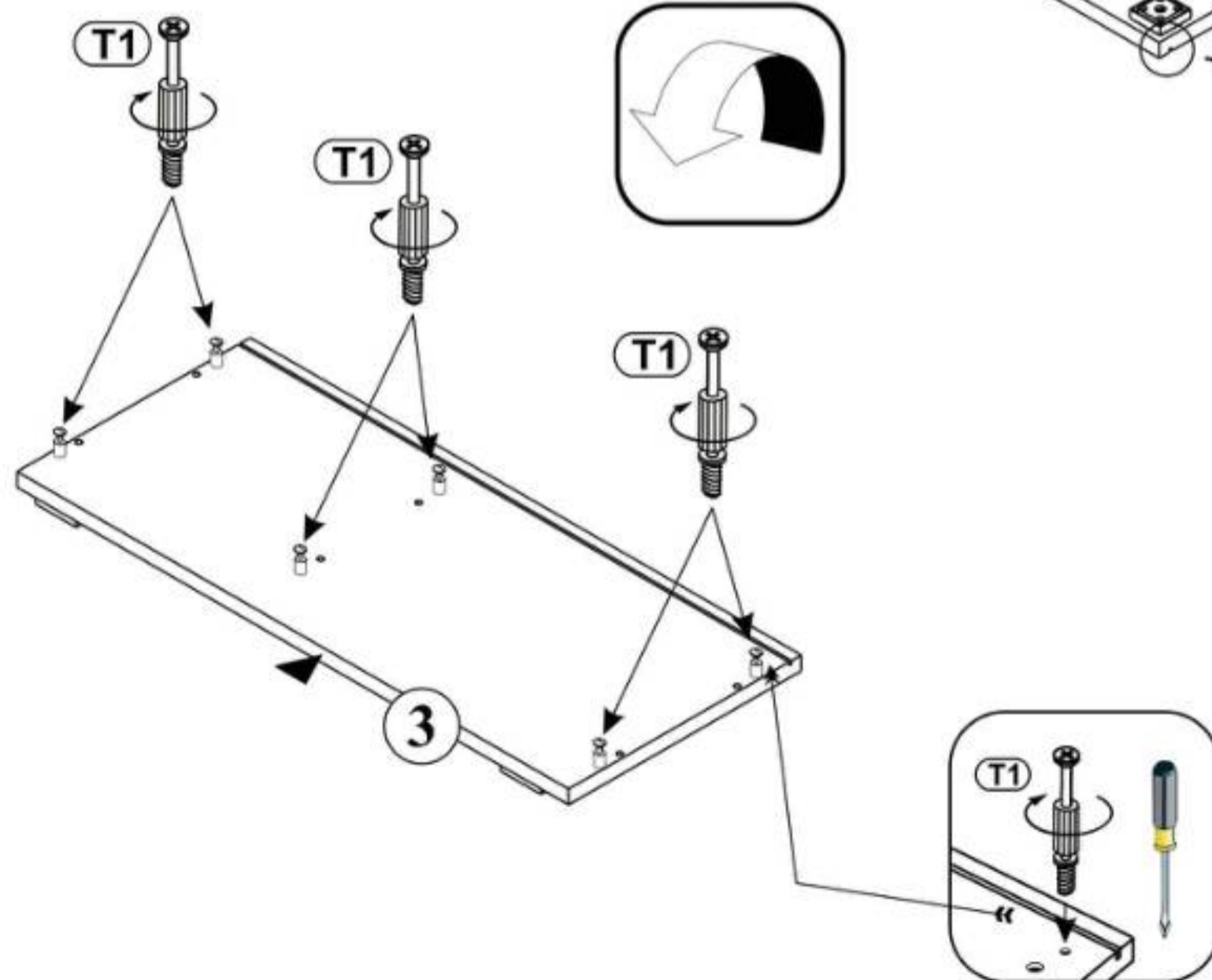
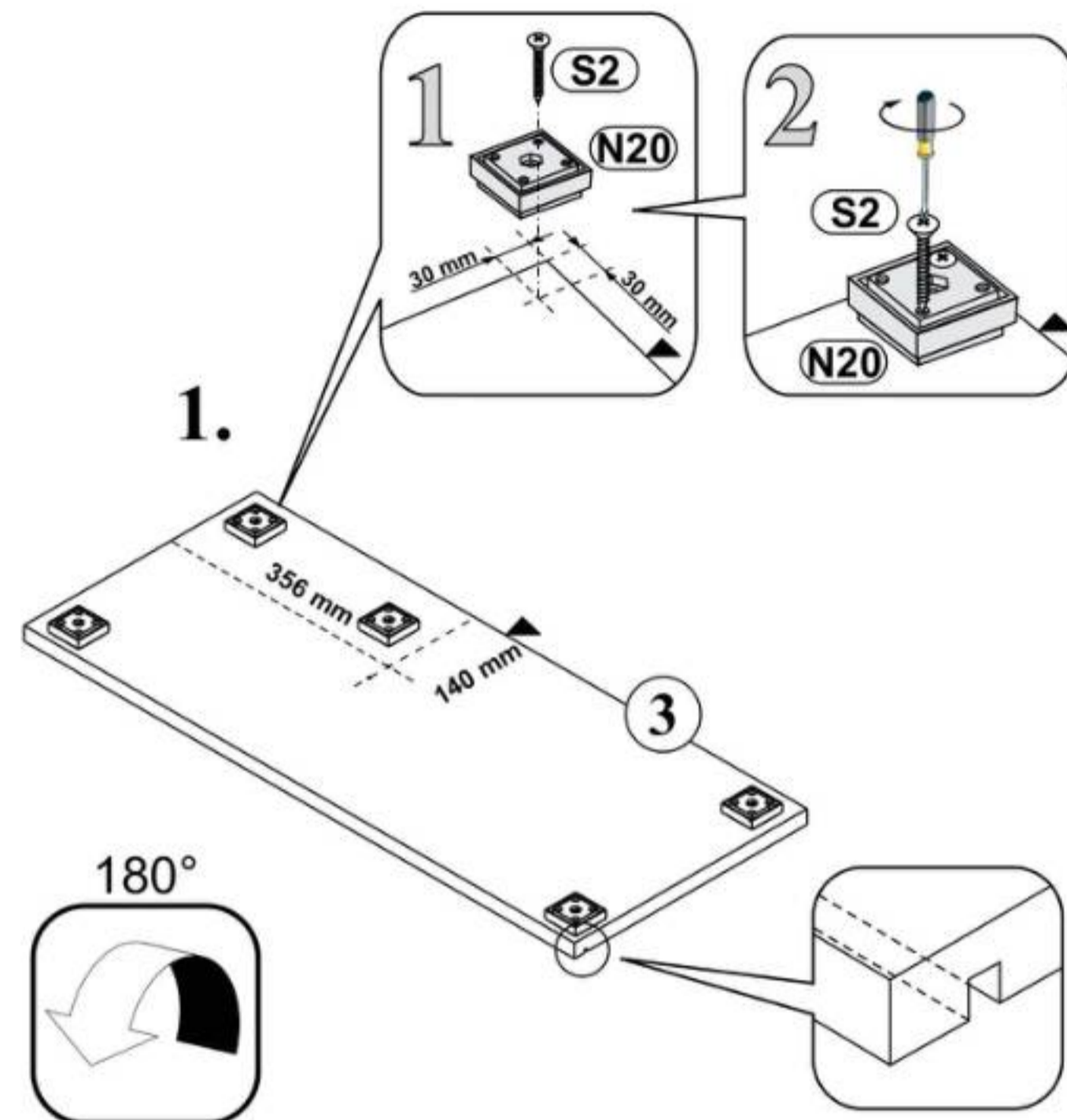


4

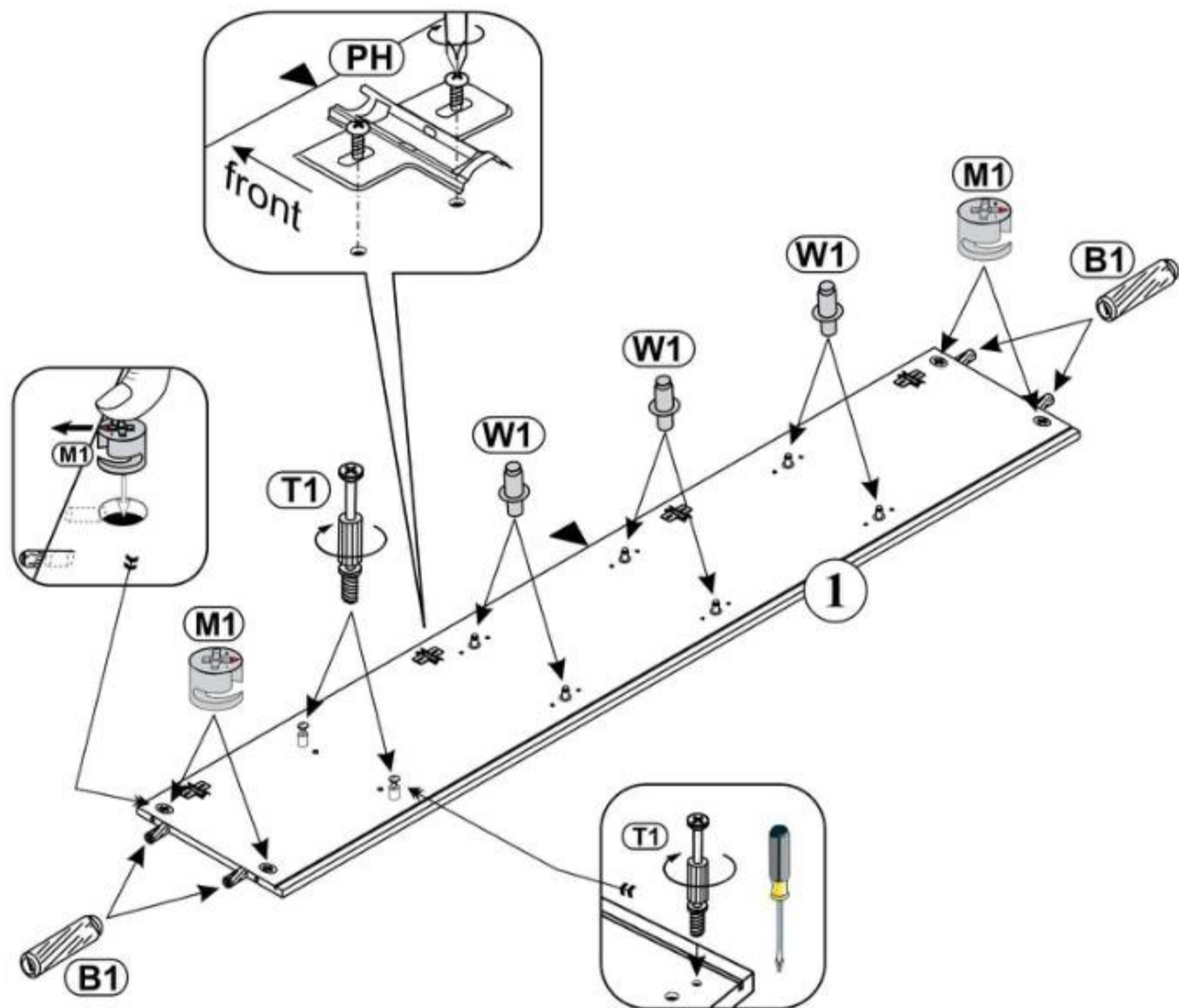
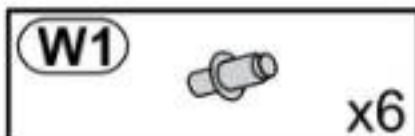
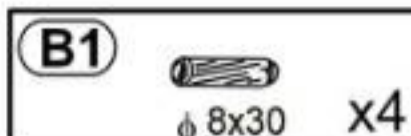
(N20)  x5

(S2)  4x30 x20

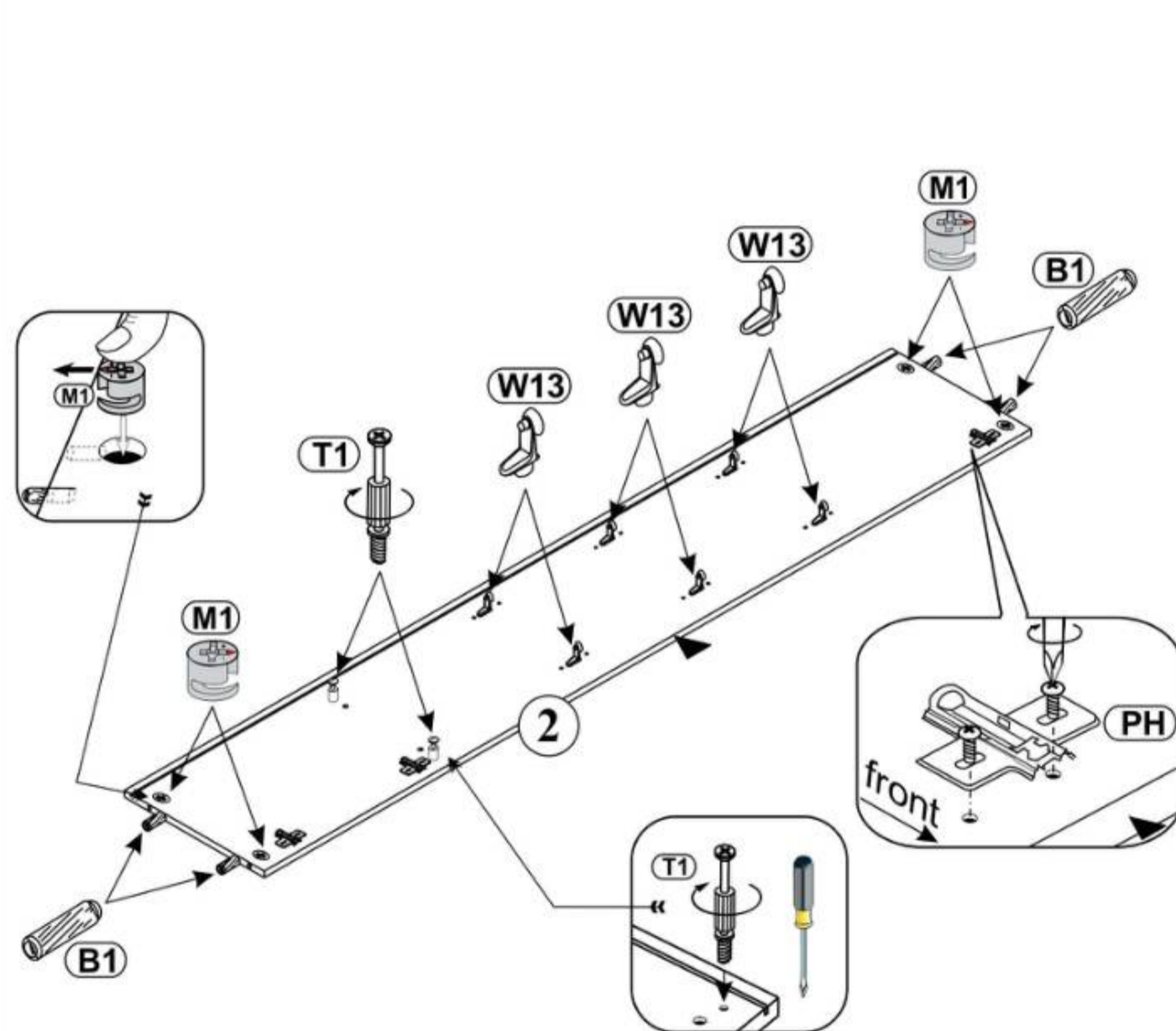
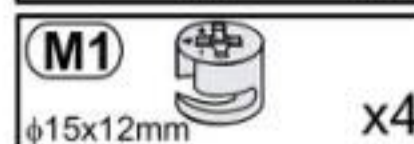
(T1)  x6



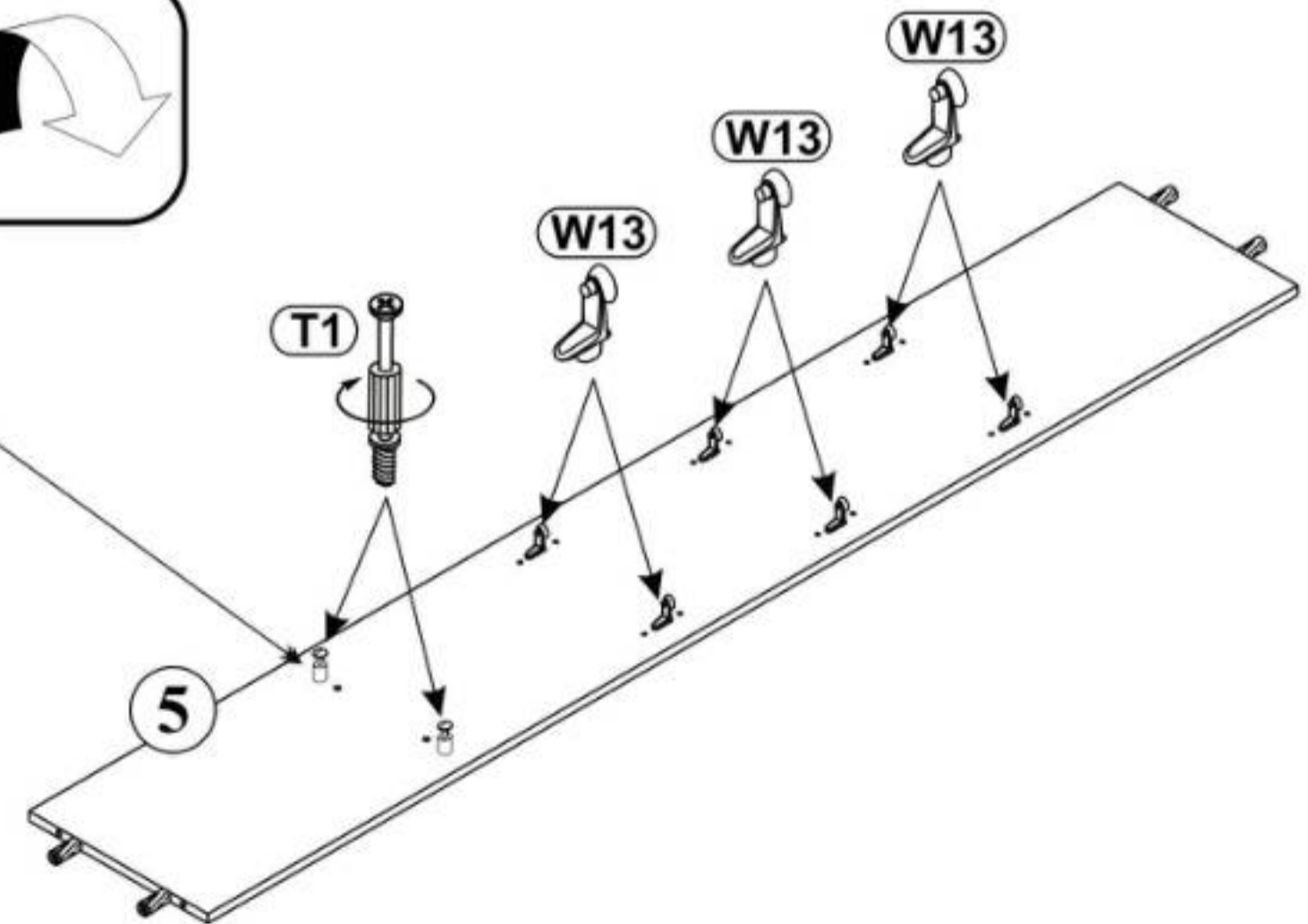
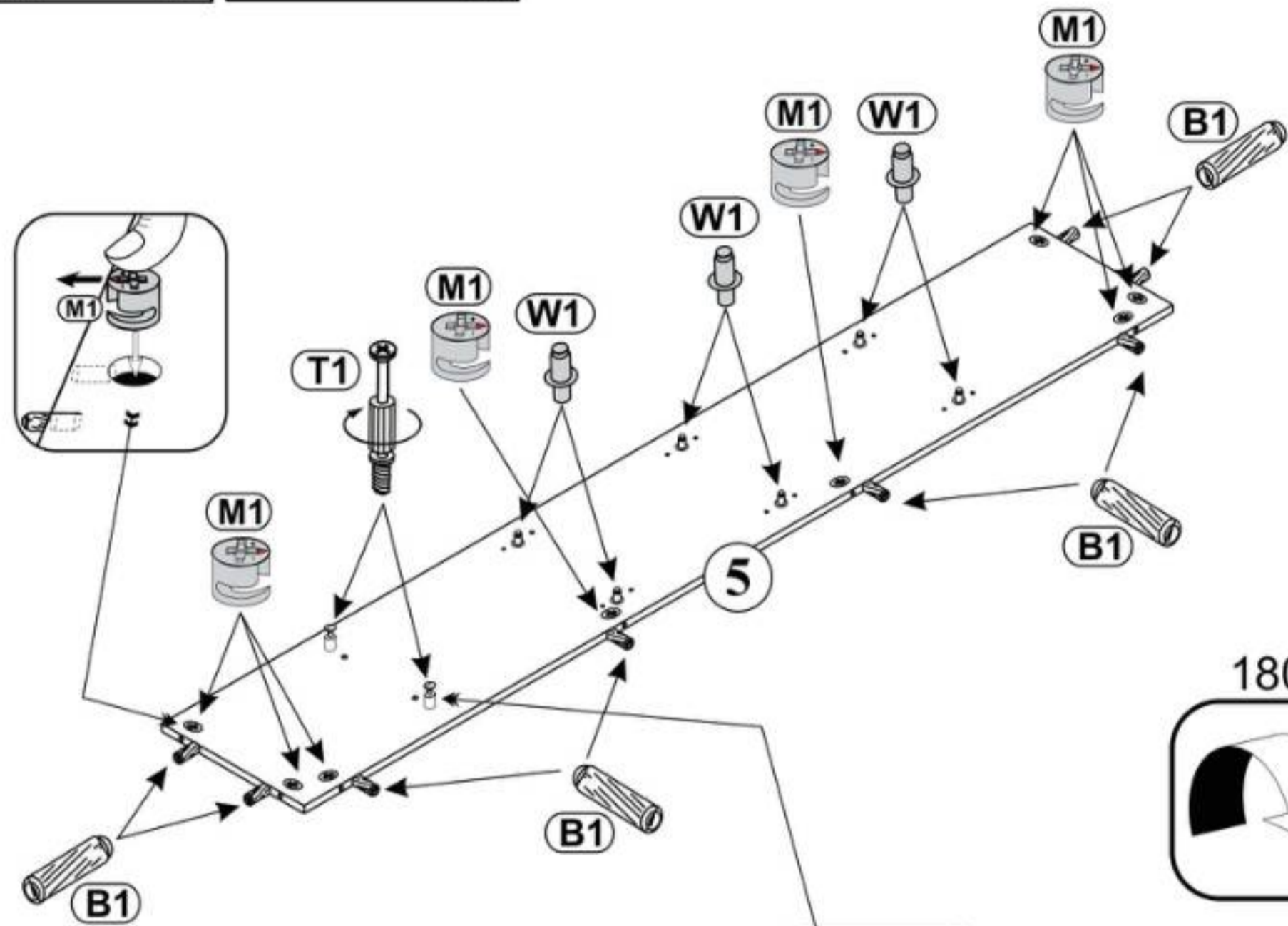
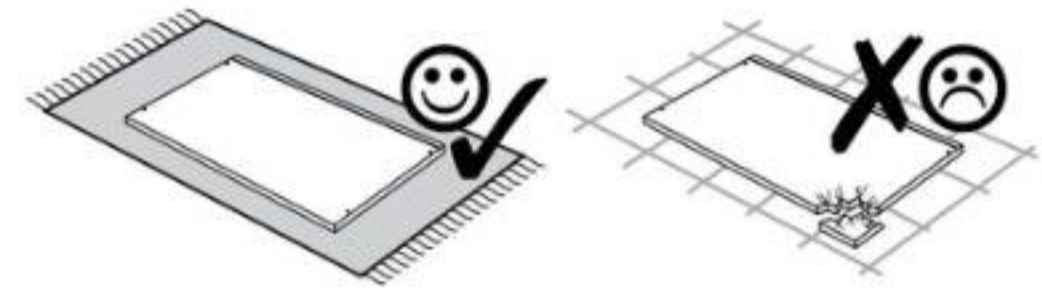
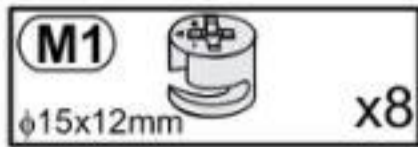
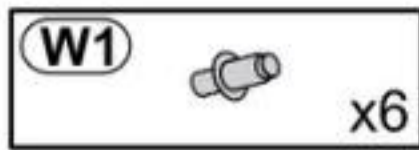
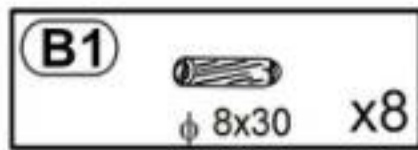
5



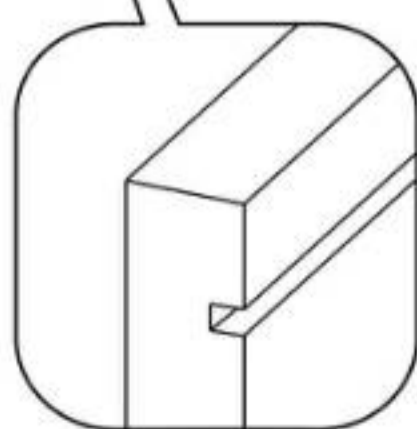
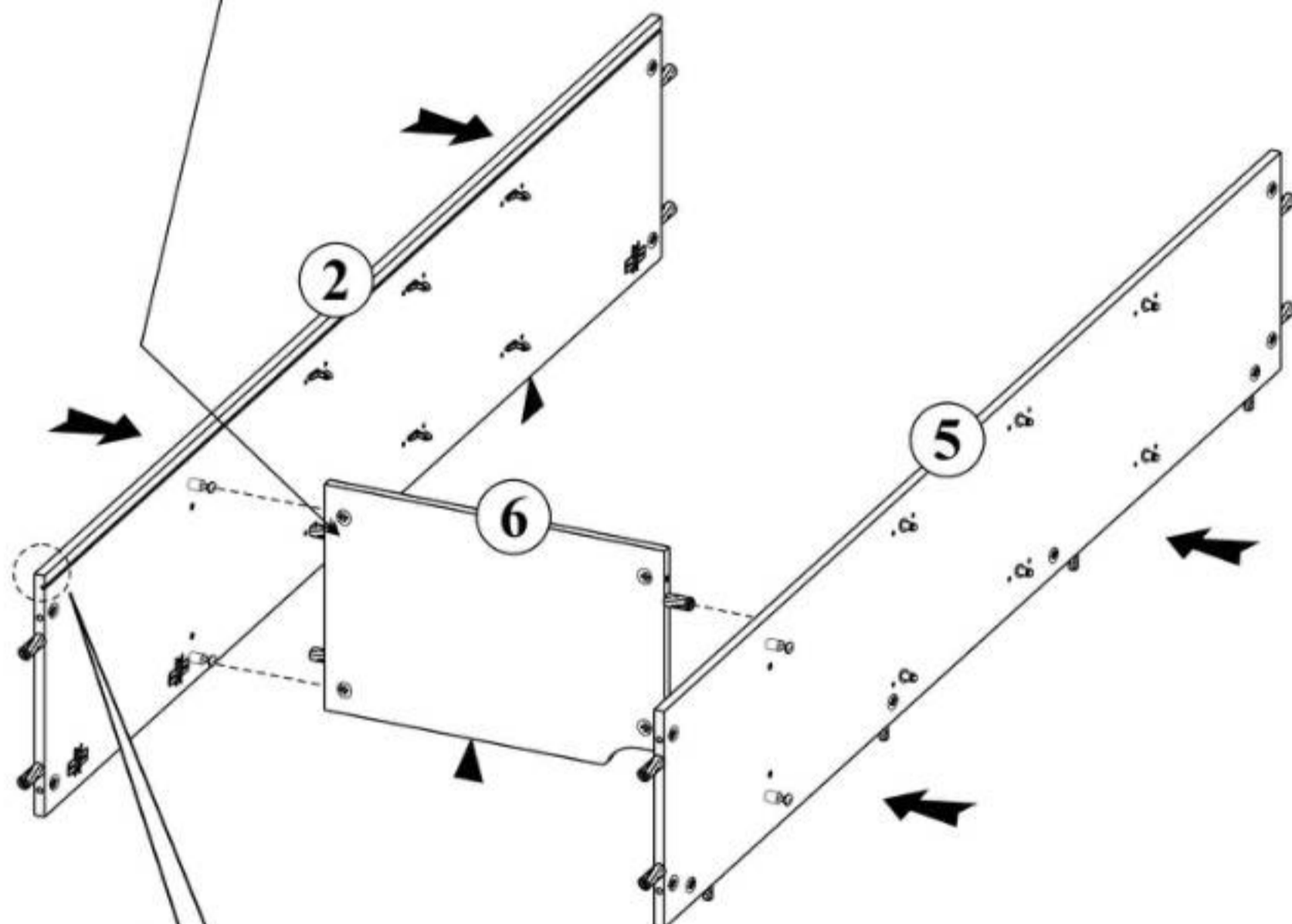
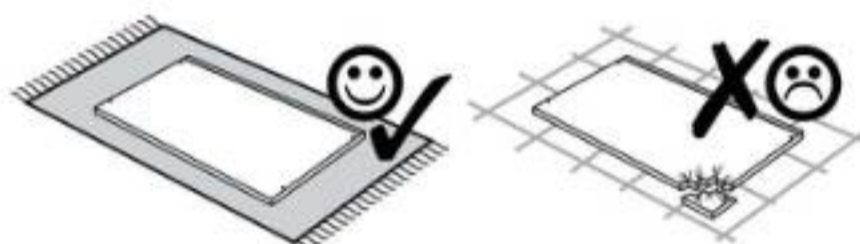
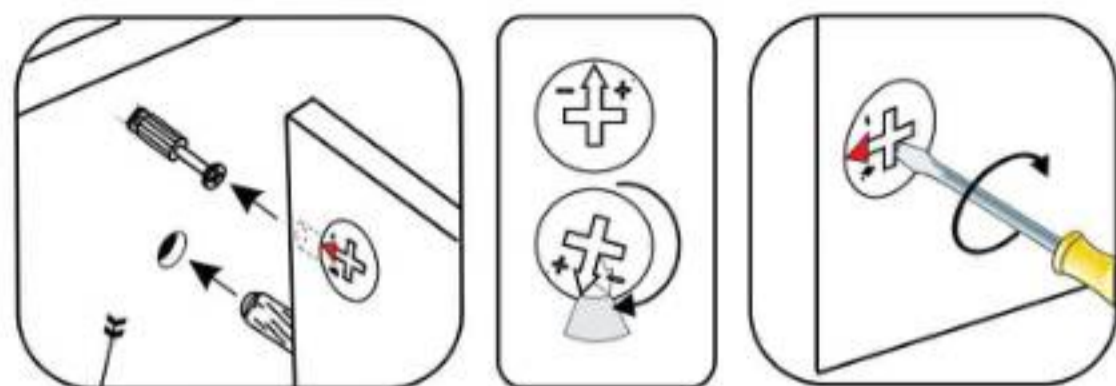
6



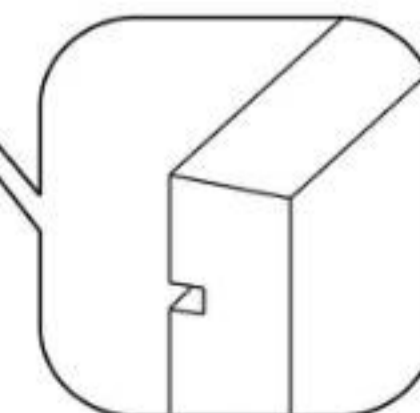
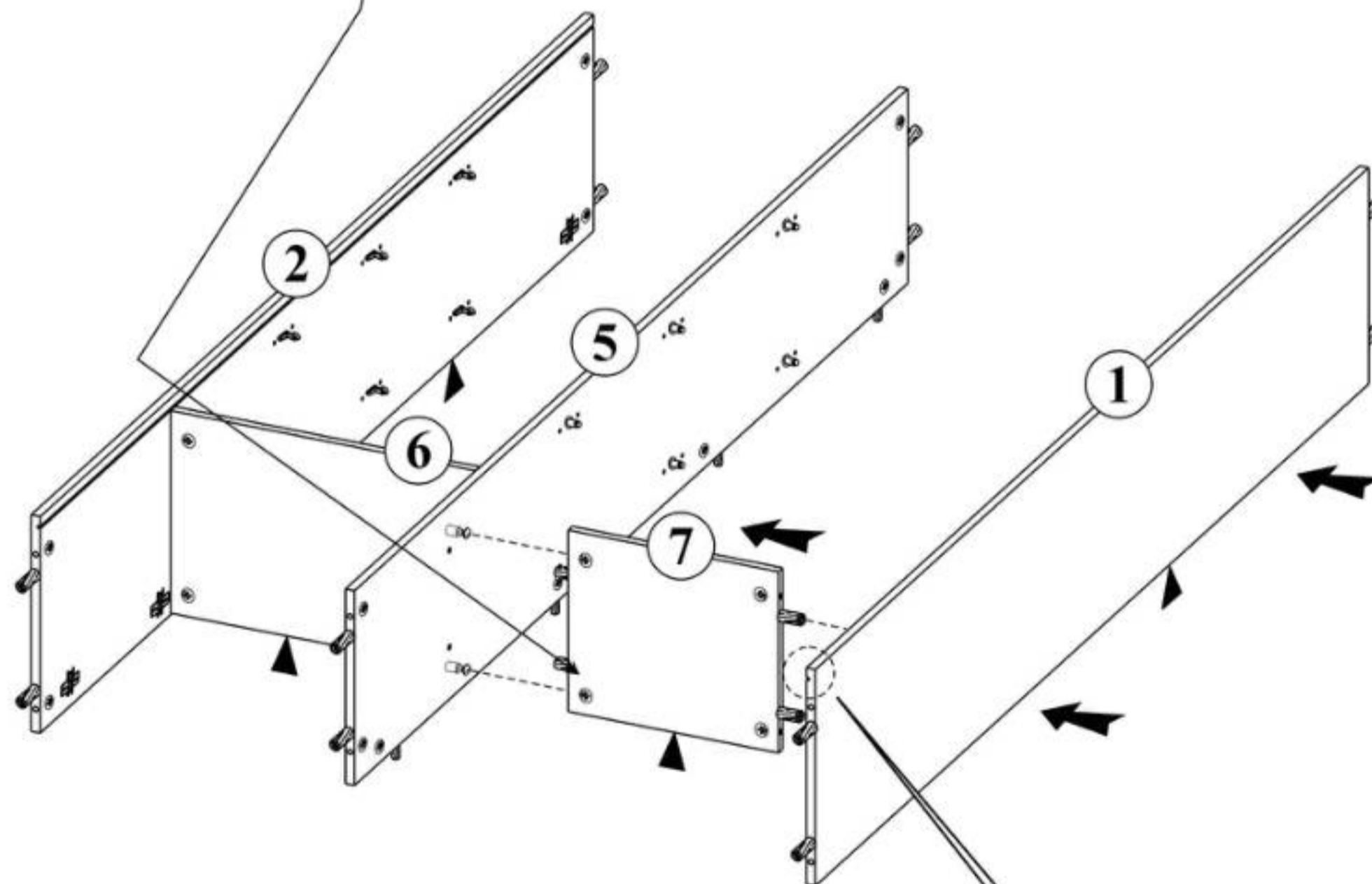
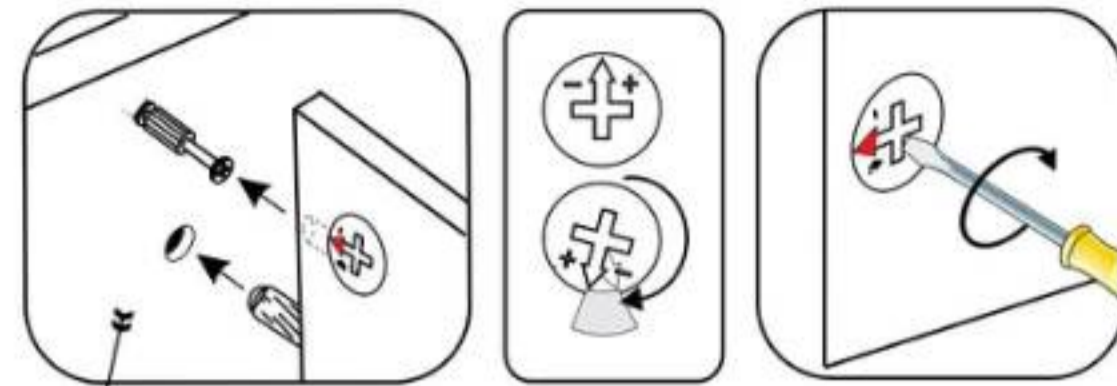
7



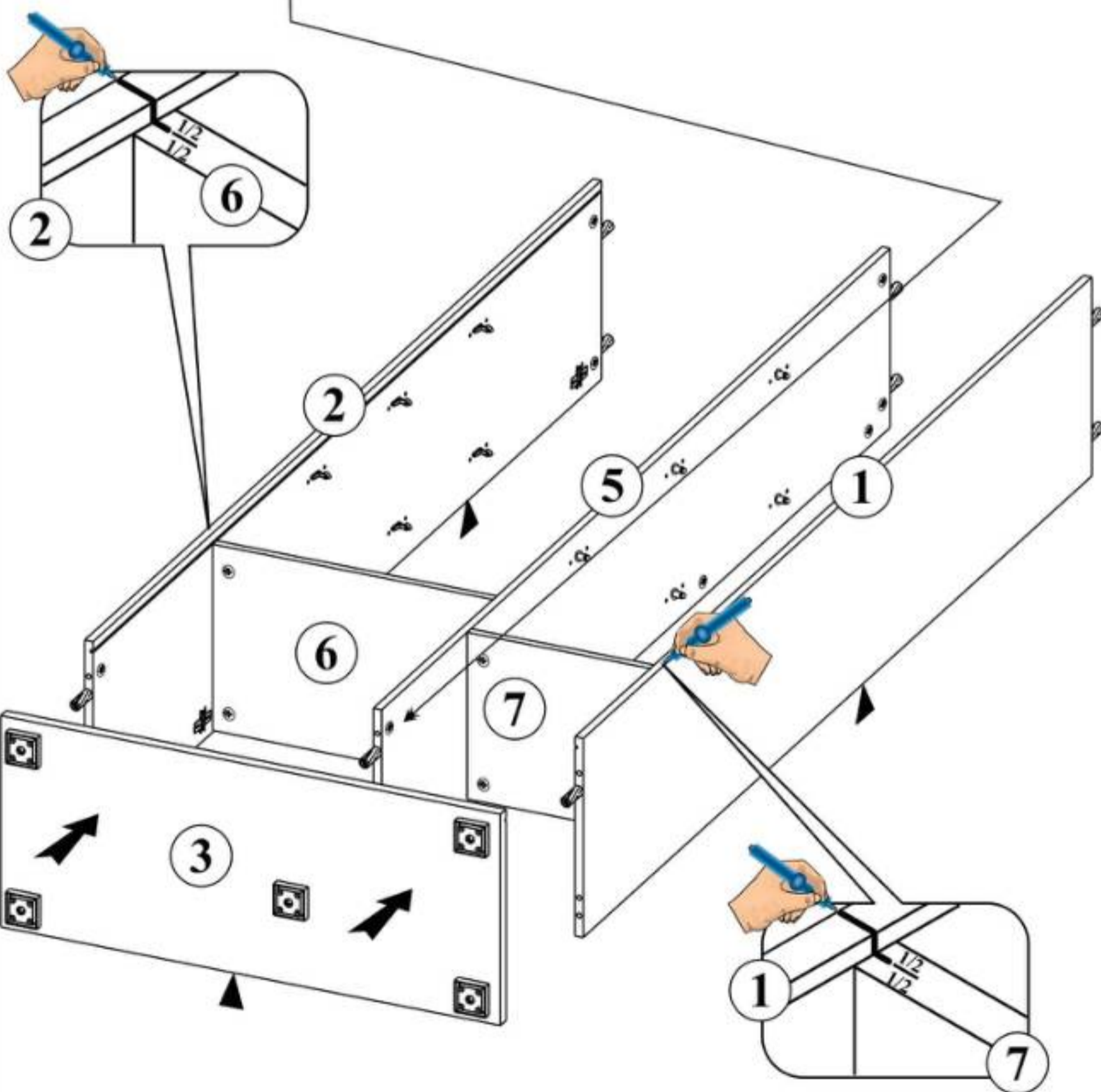
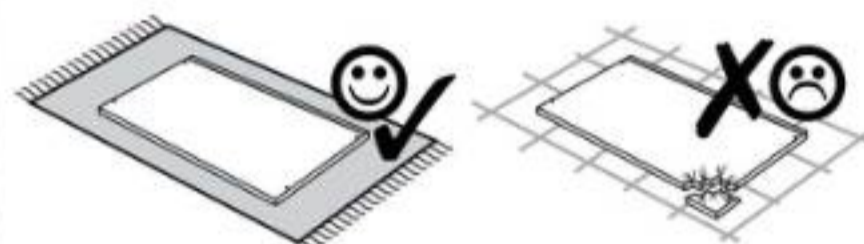
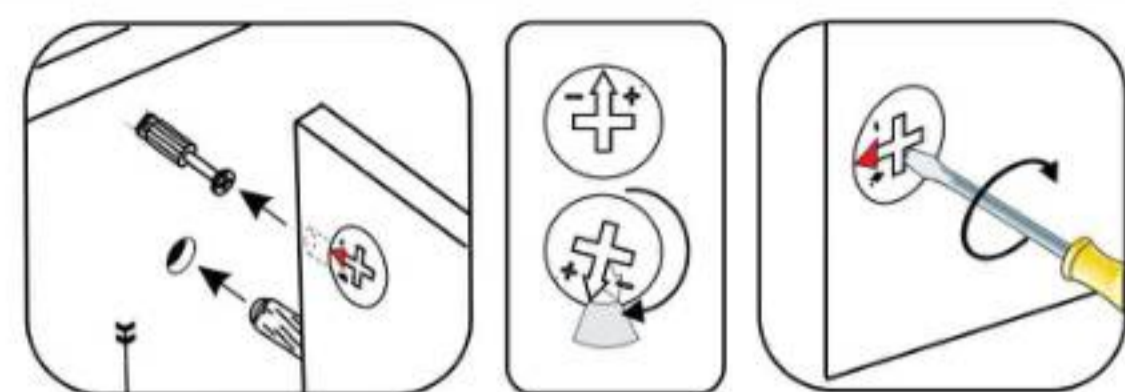
8



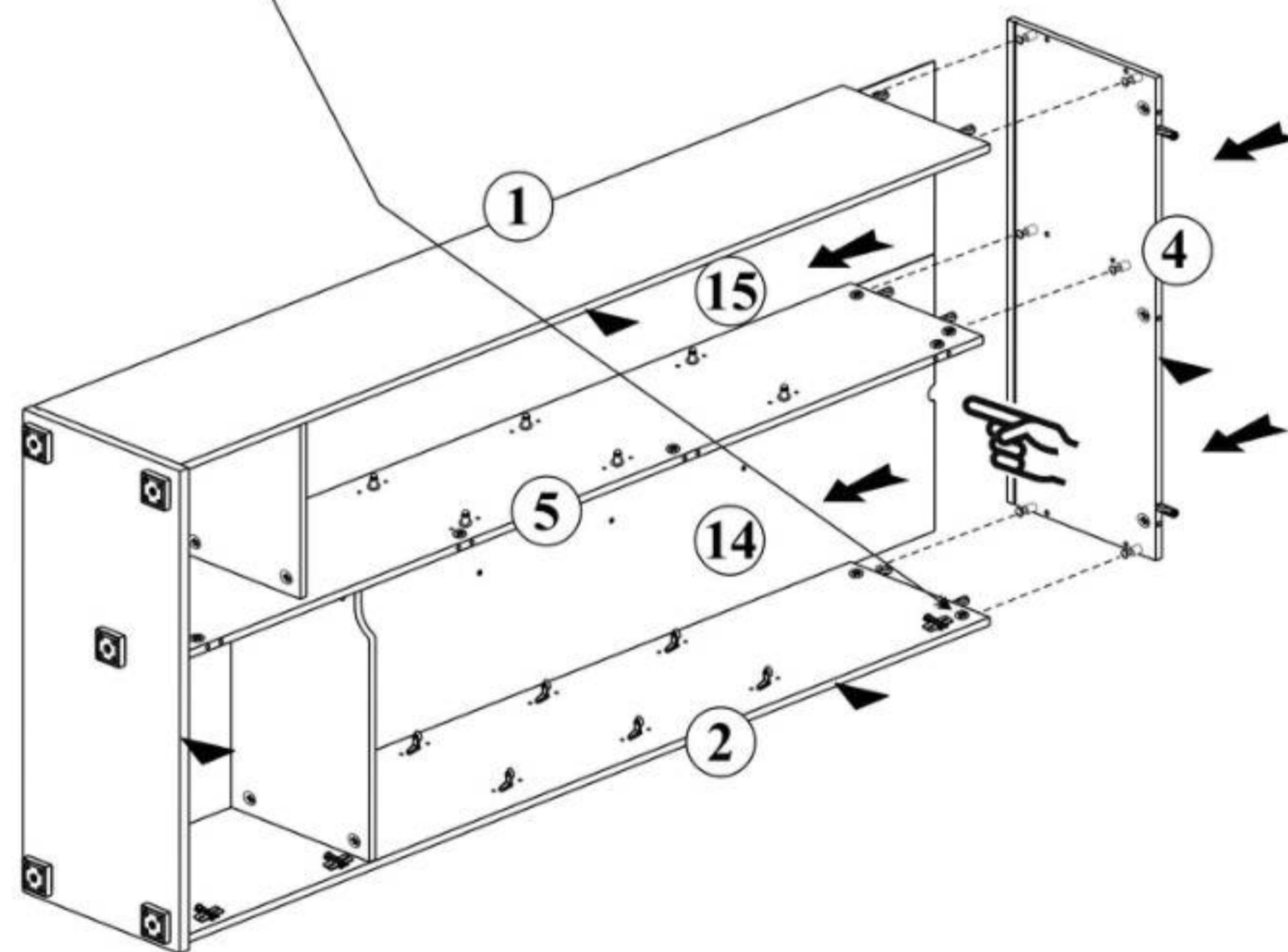
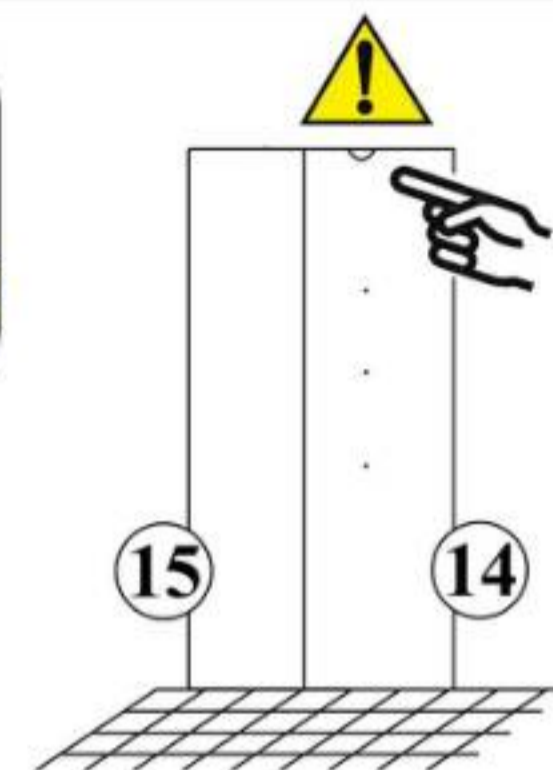
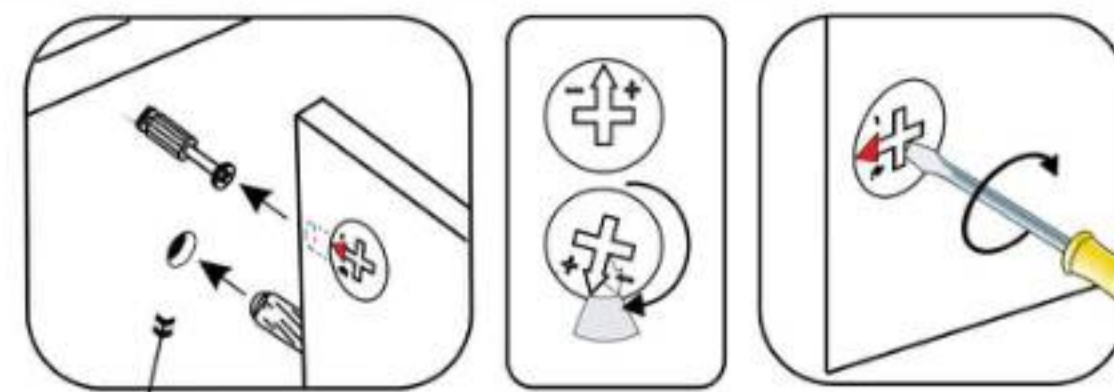
9



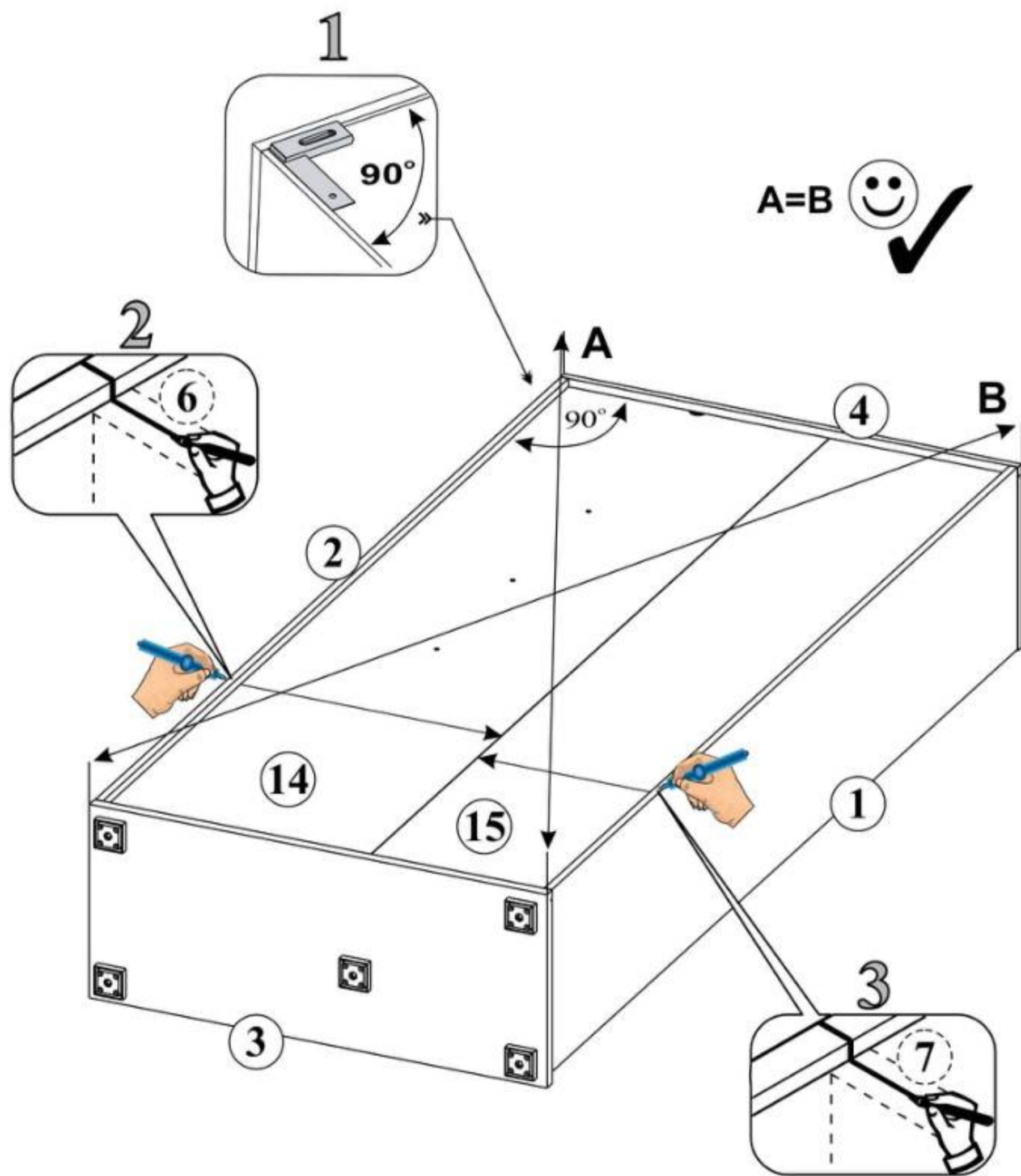
10



11

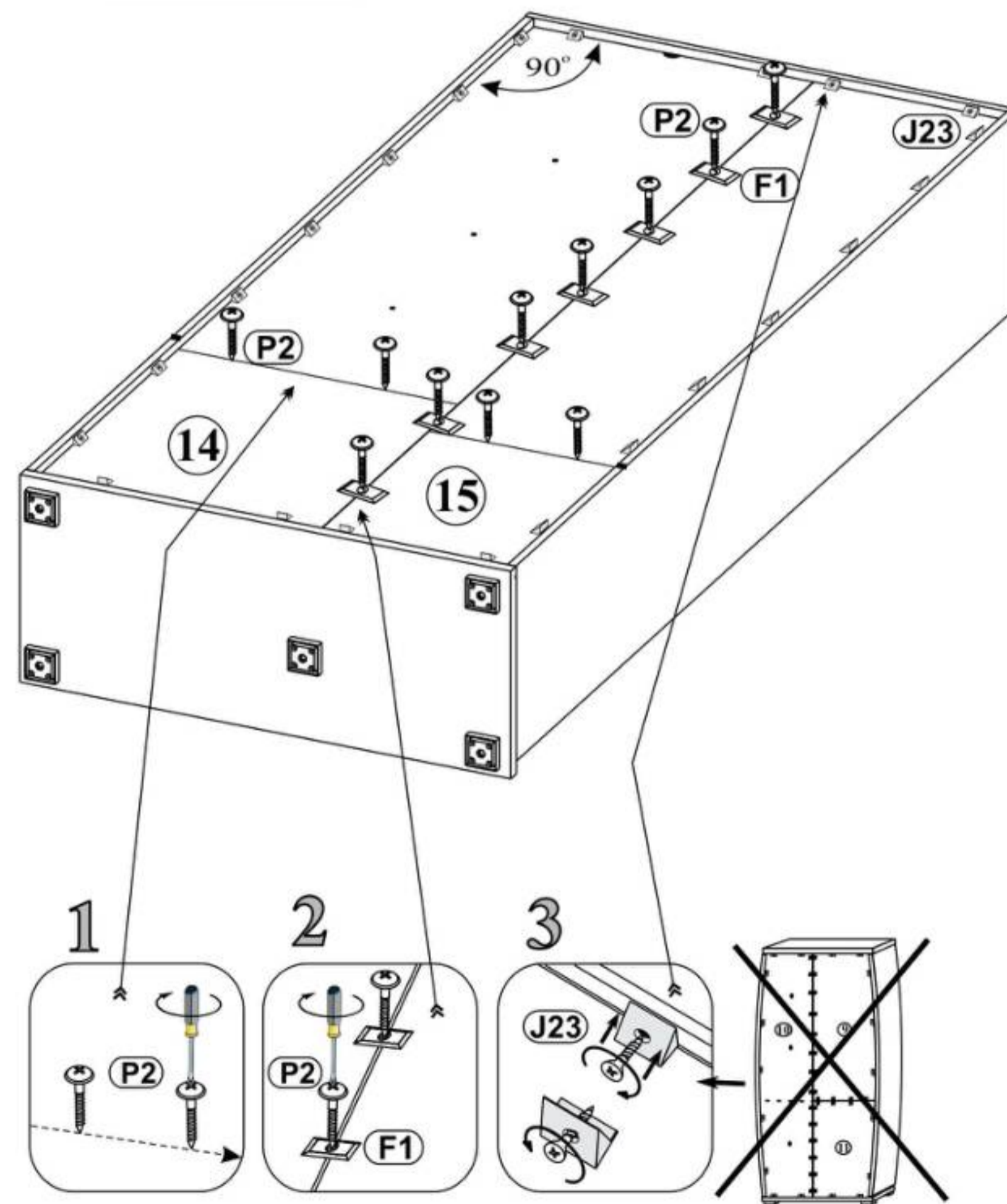


12

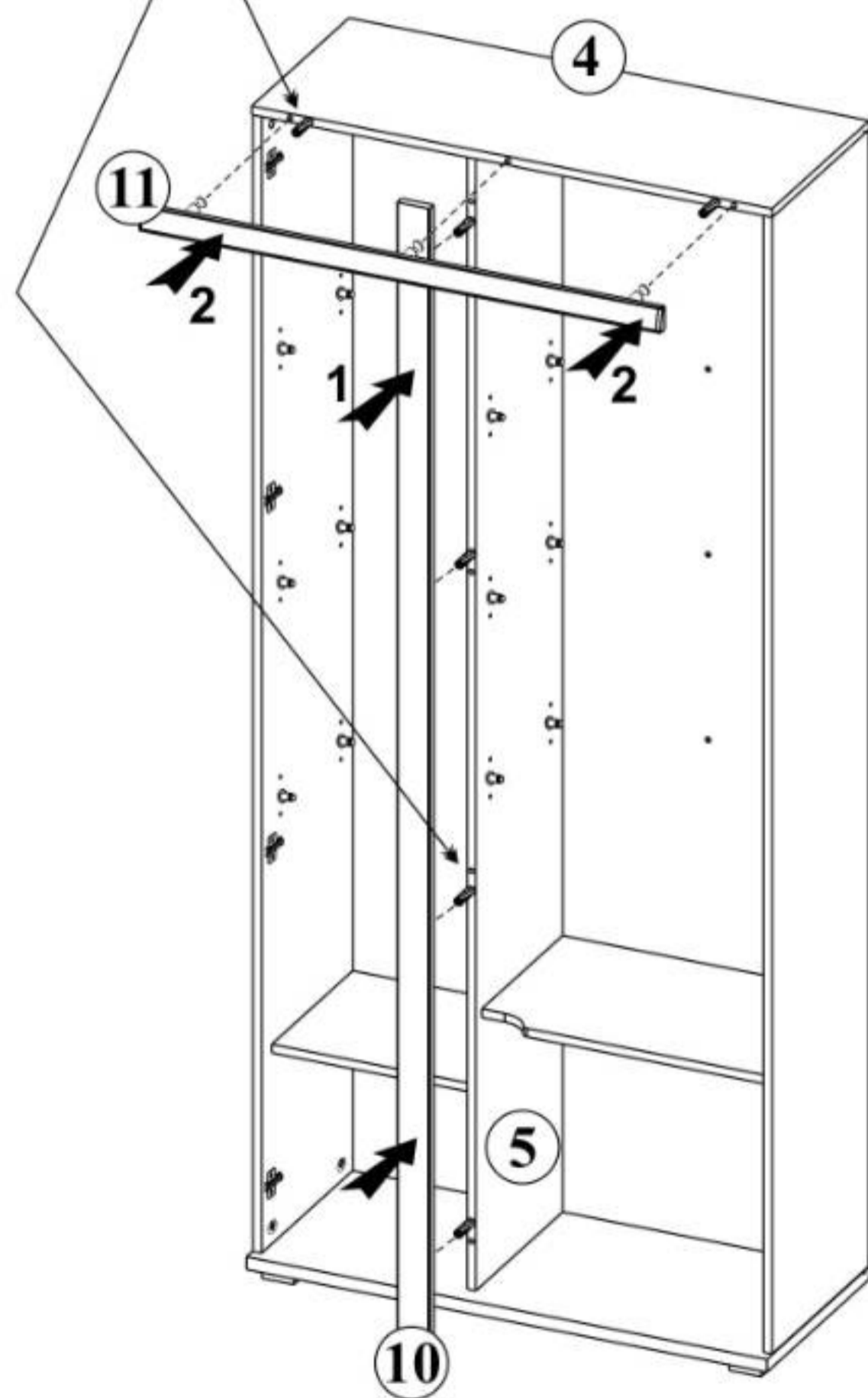
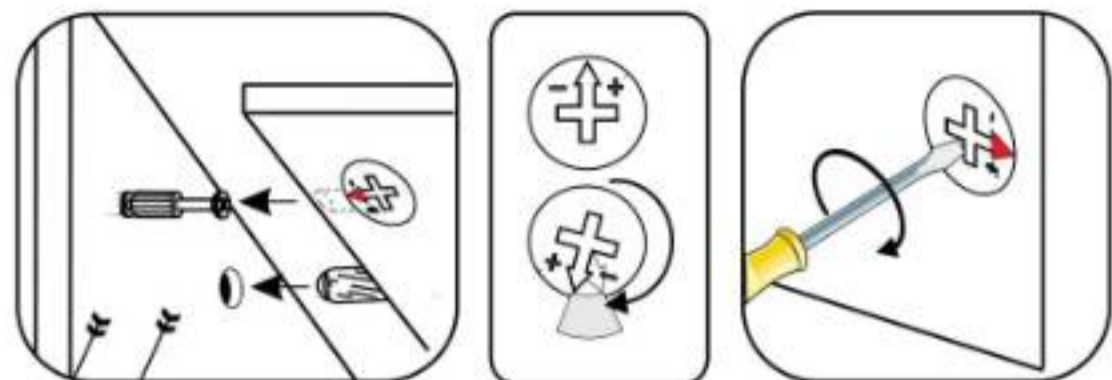


13

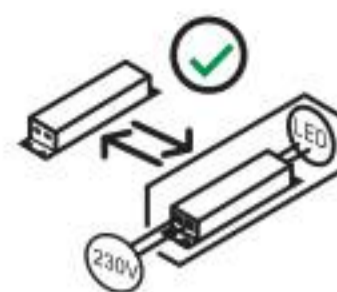
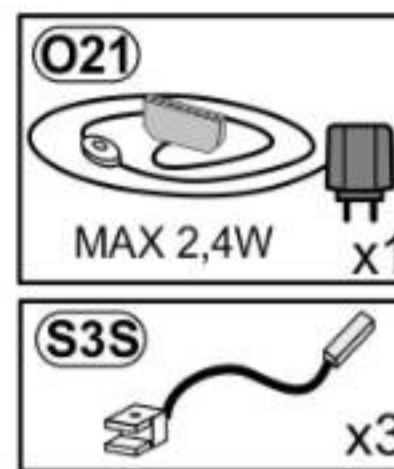
- J23  x22
- F1  x7
- P2  3x20 x11



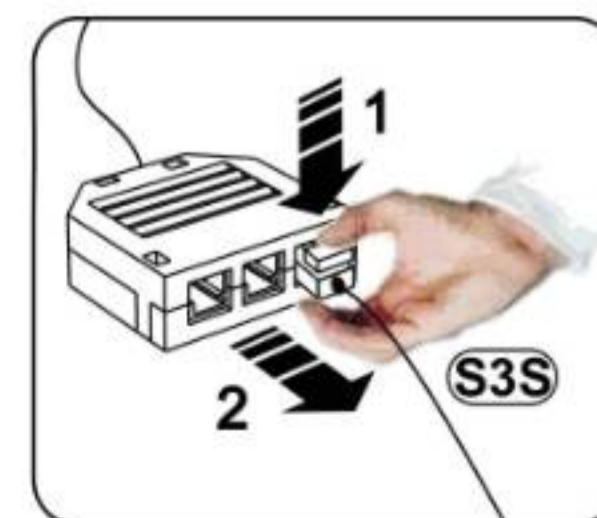
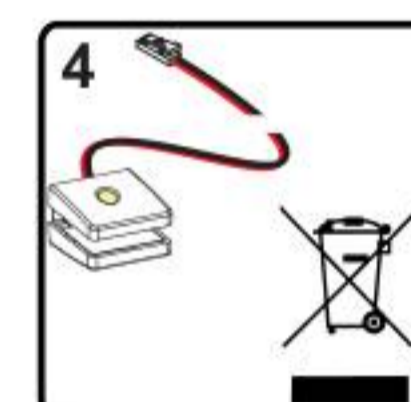
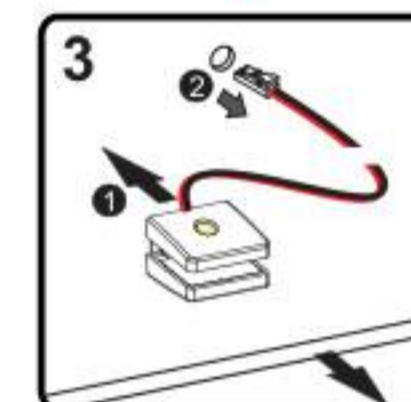
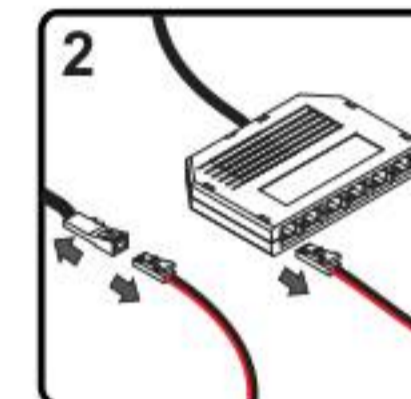
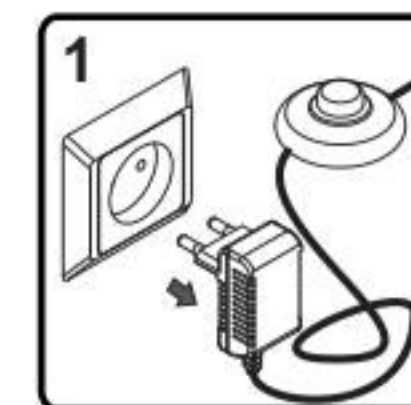
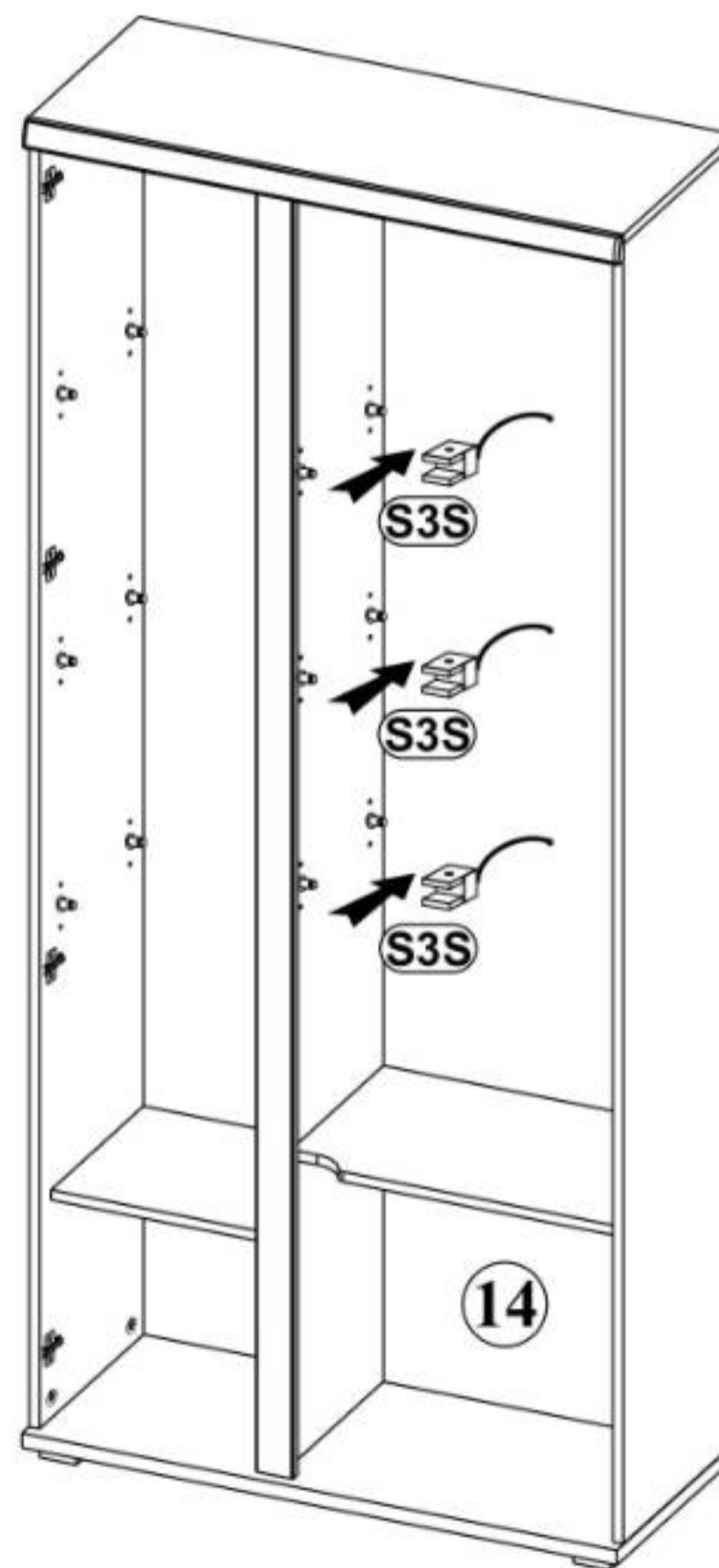
14






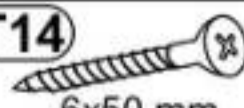
15

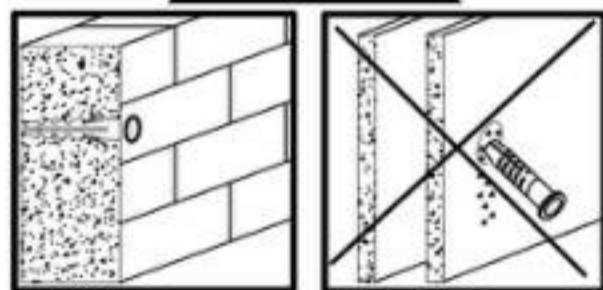
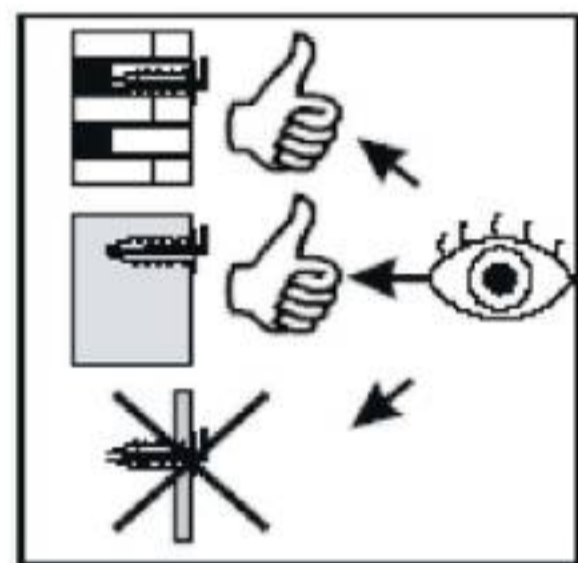


LED-osvětlení/osvetlenie
Zeta S 3S

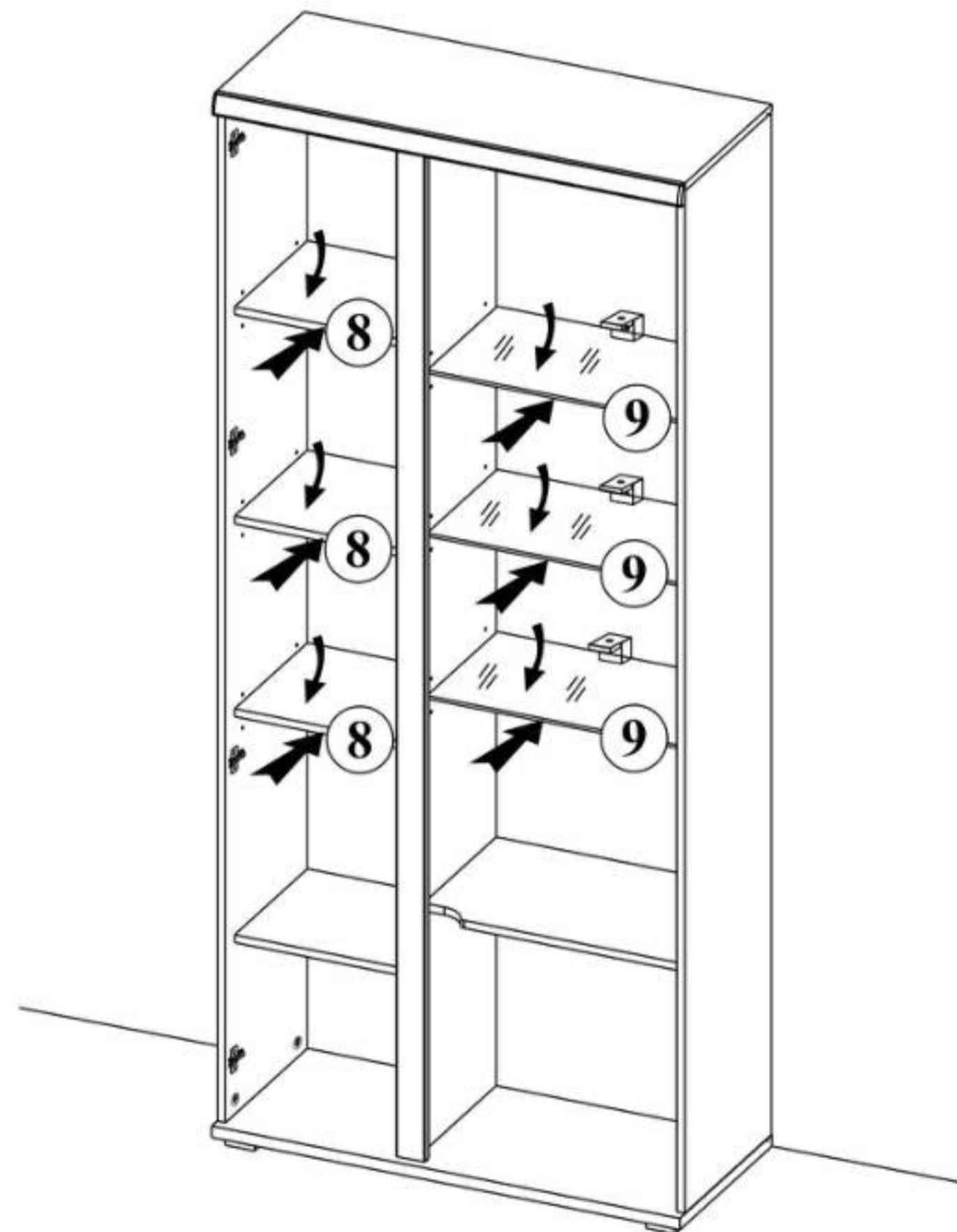


16

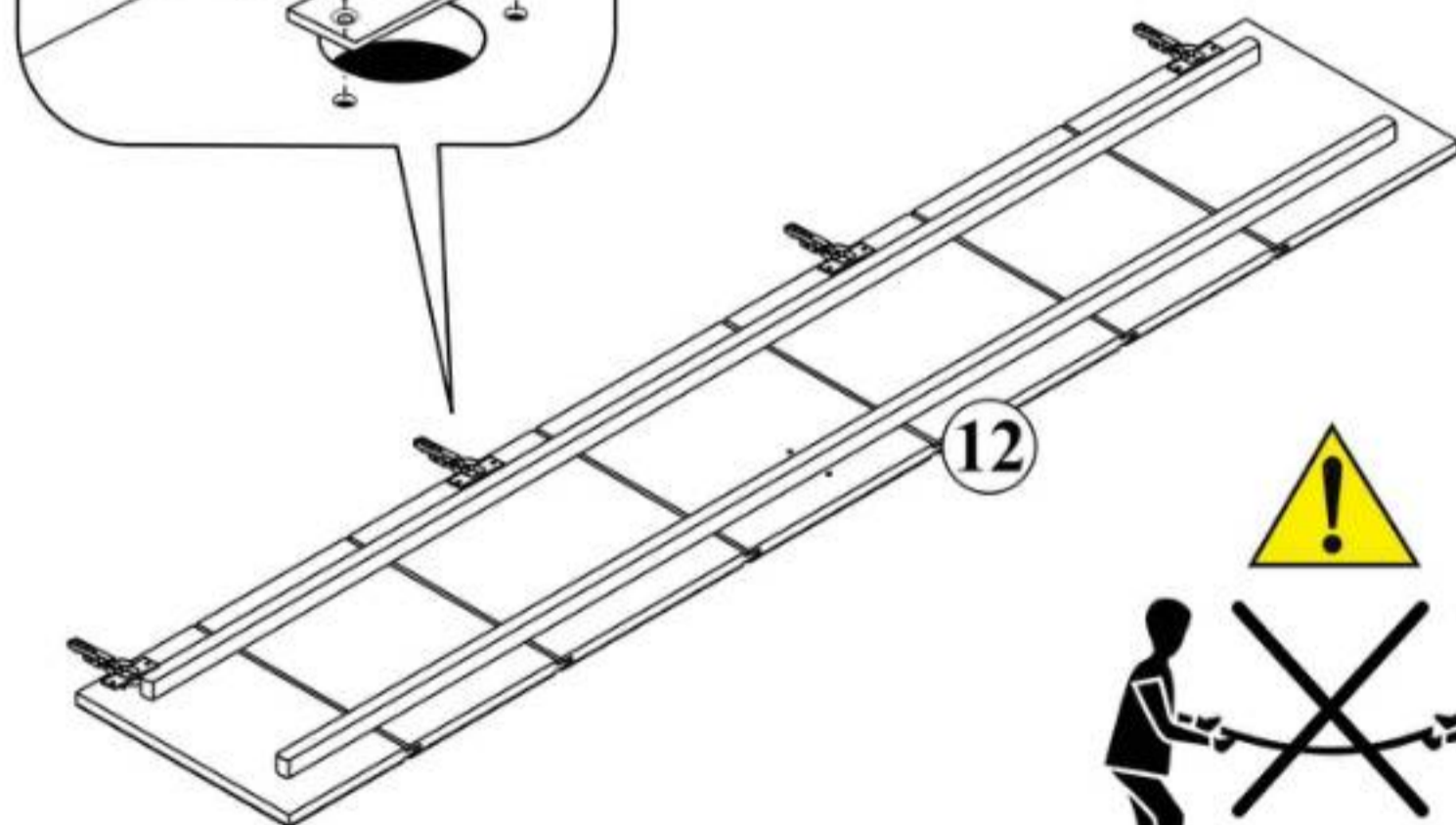
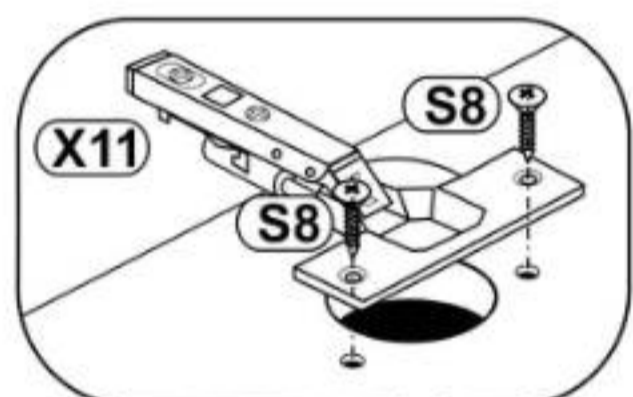
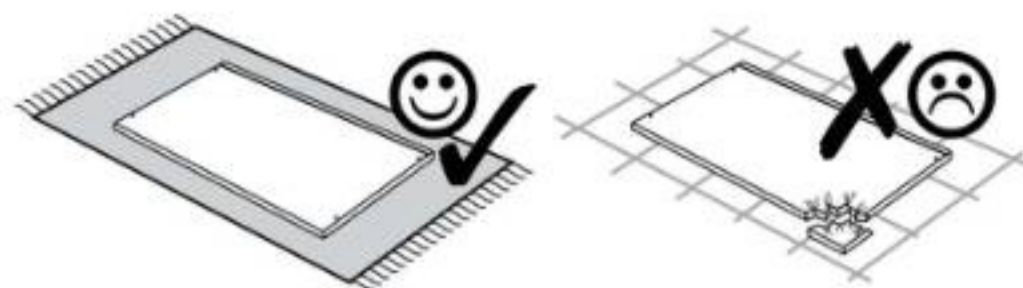
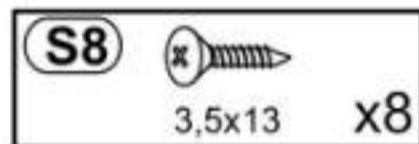
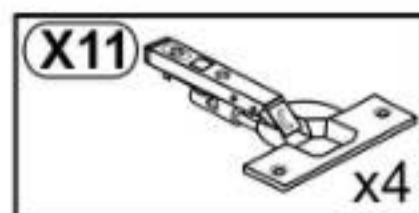
- J11**
 x1
- P13**
 3,5x13 x2
- T13**
 8x50 mm x1
- T14**
 6x50 mm x1



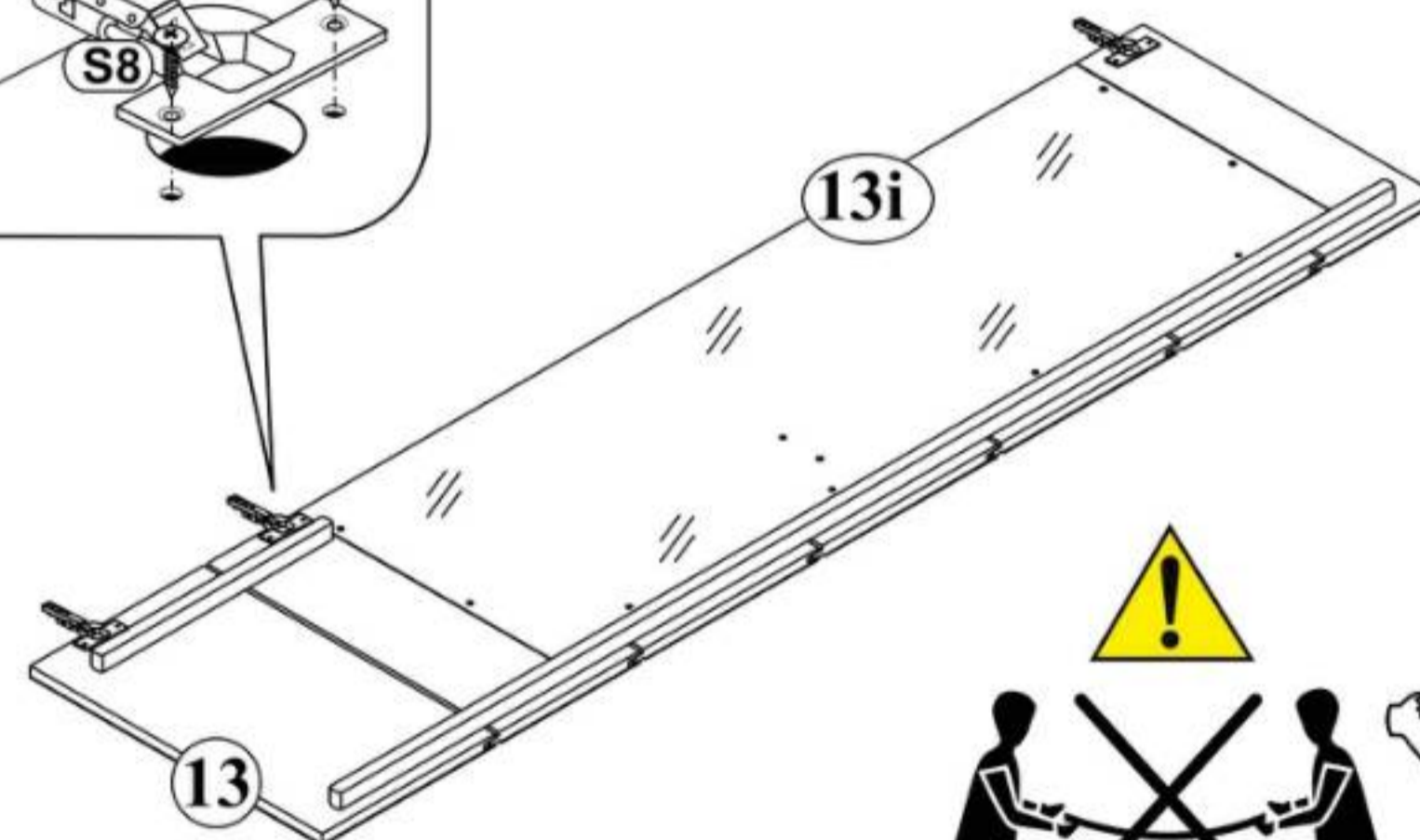
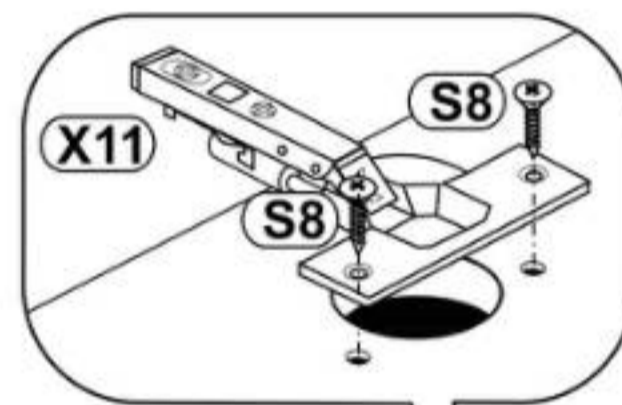
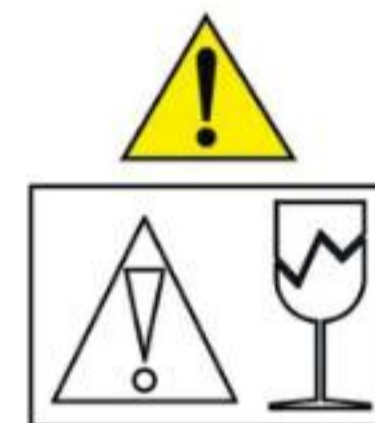
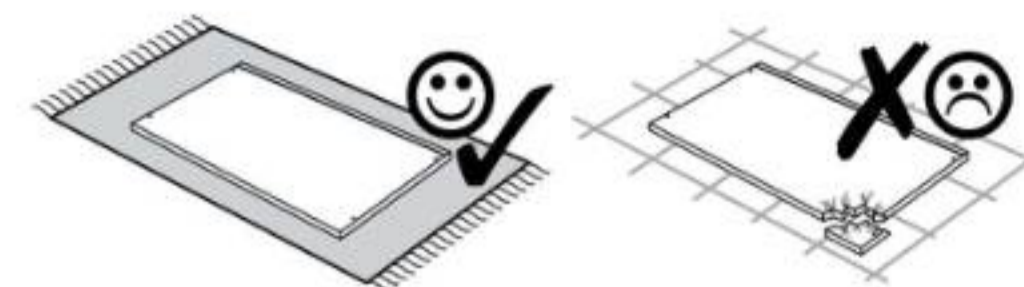
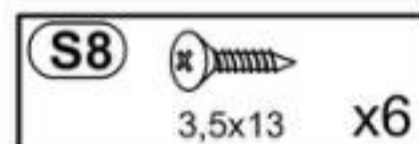
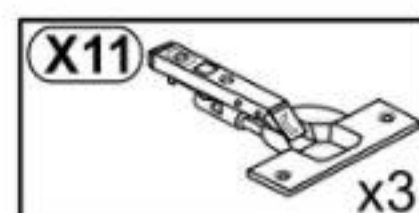
17



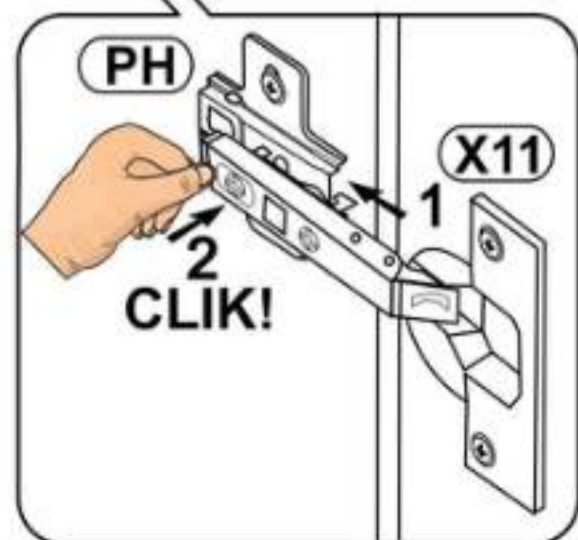
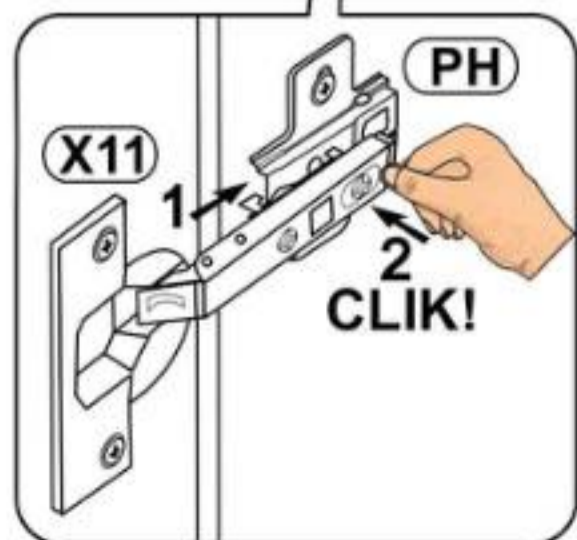
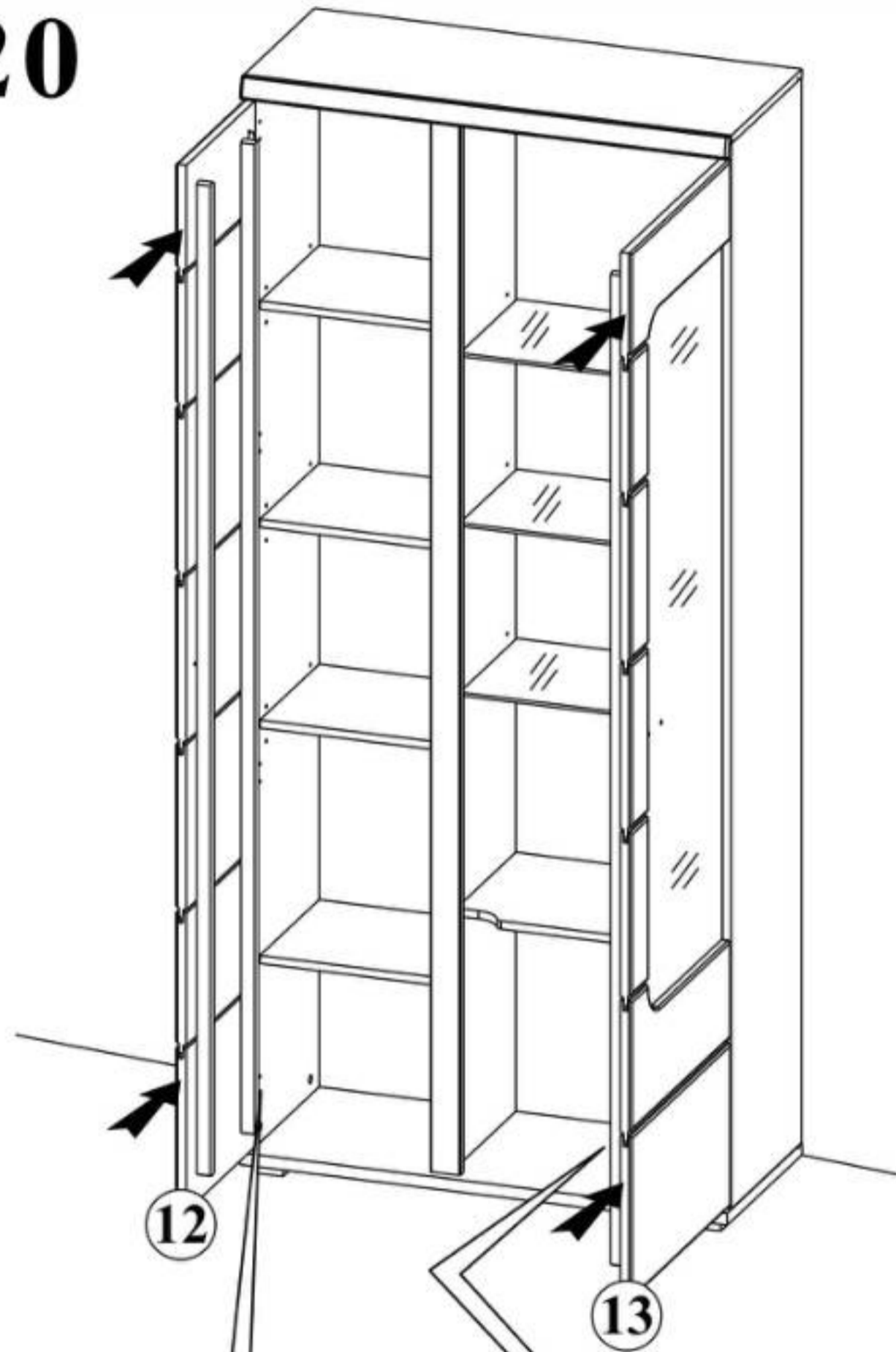
18



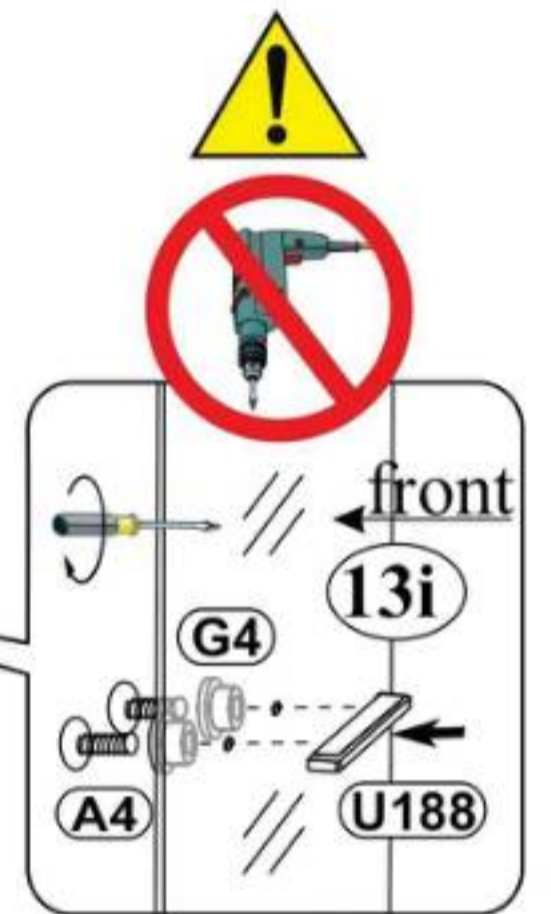
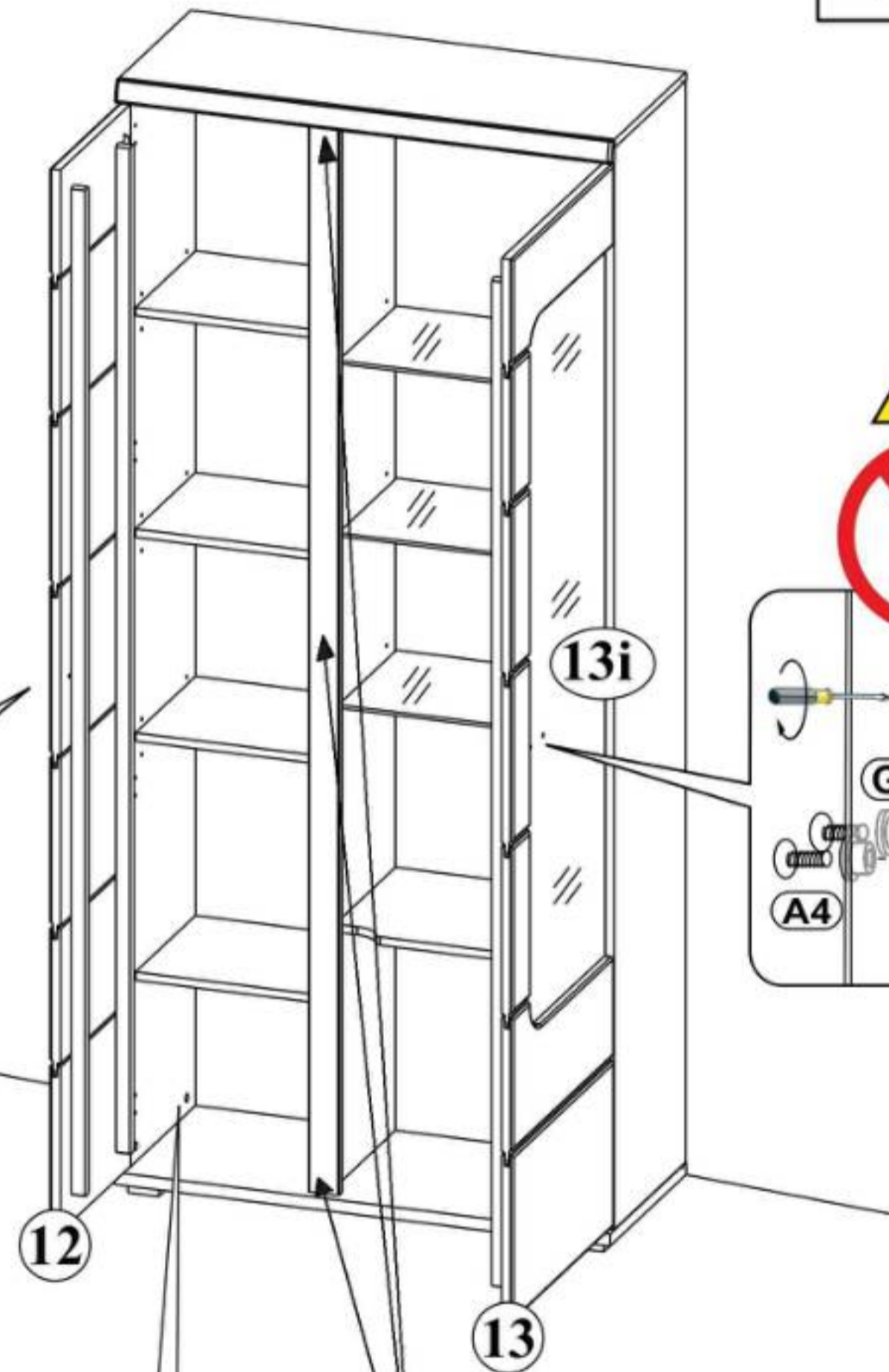
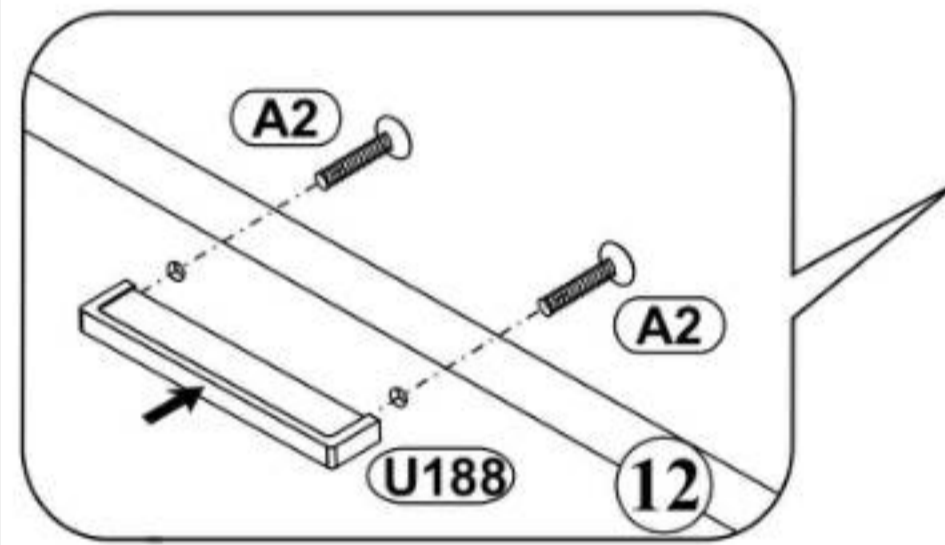
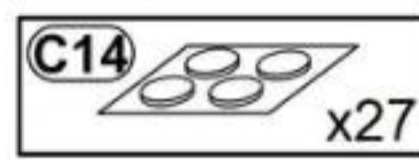
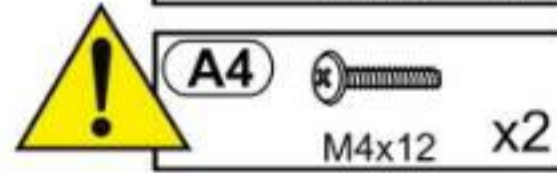
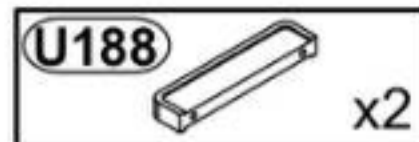
19

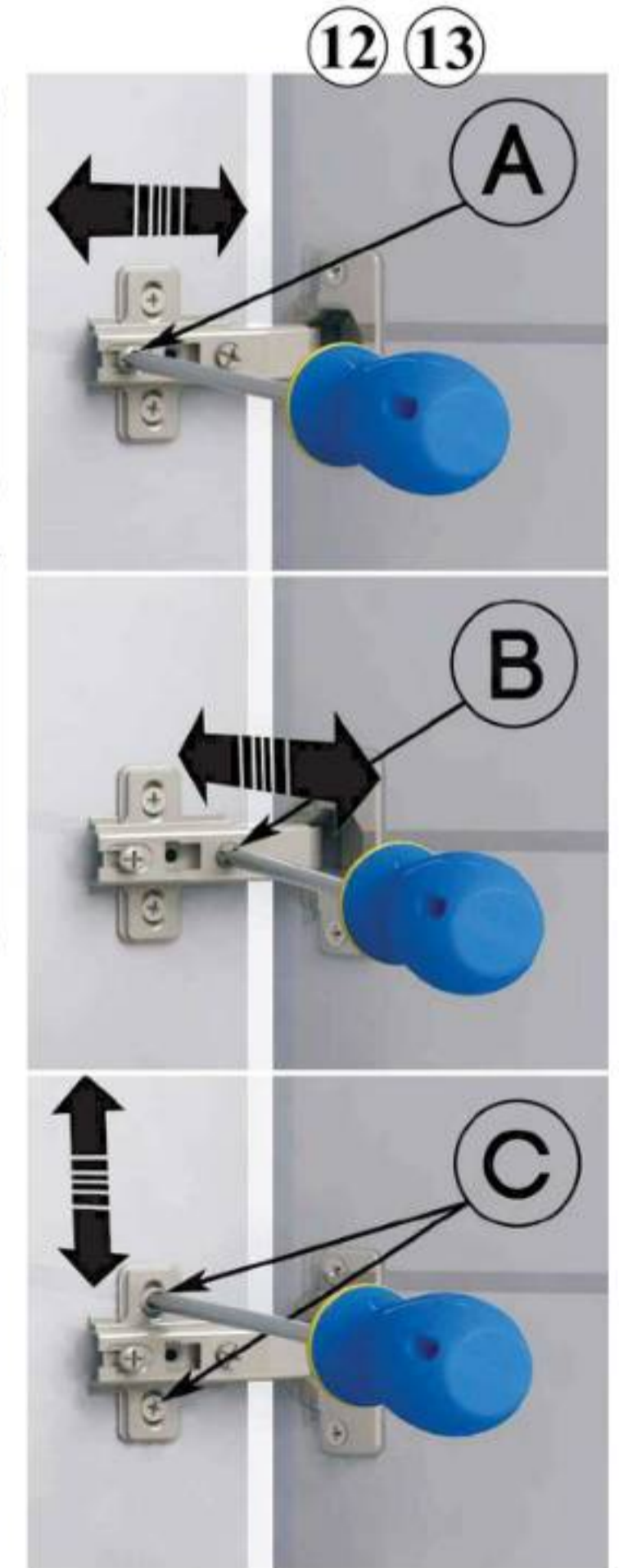
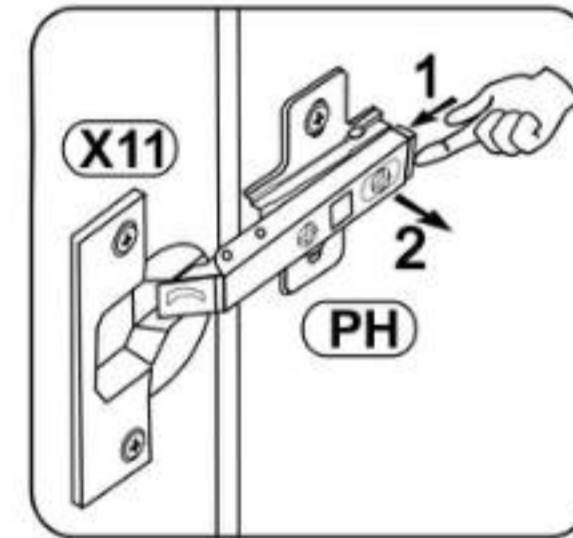
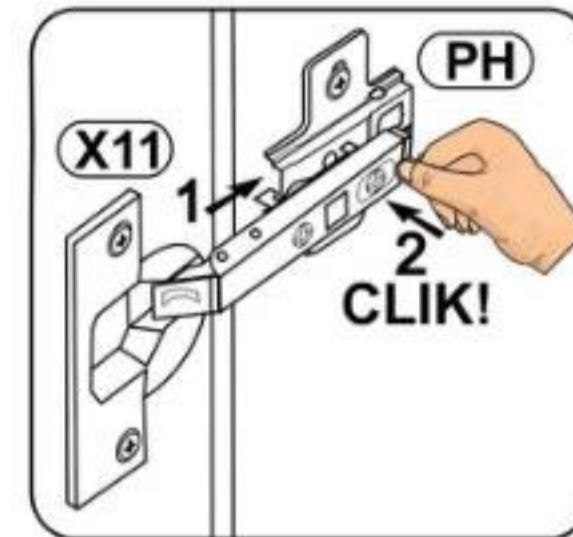
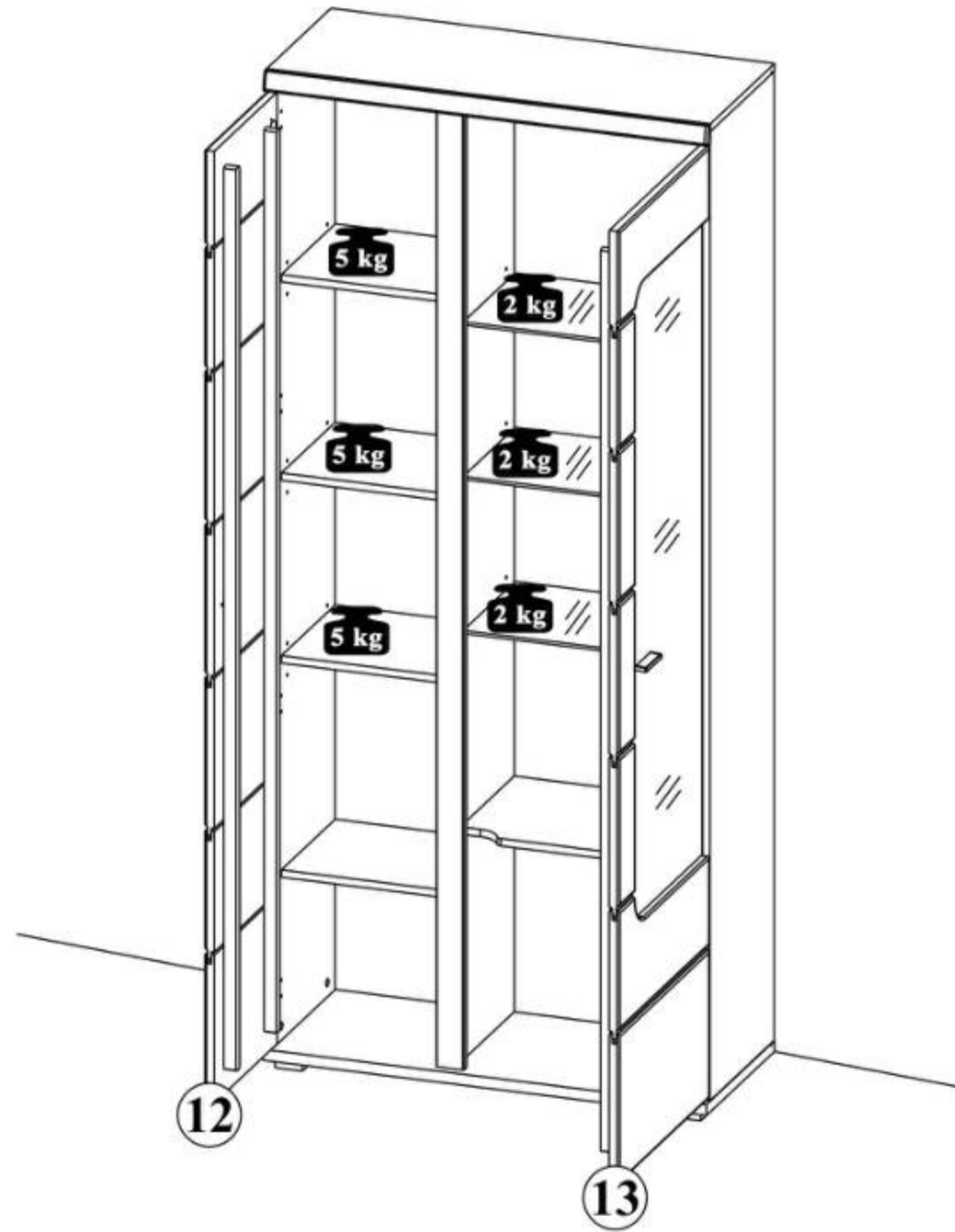


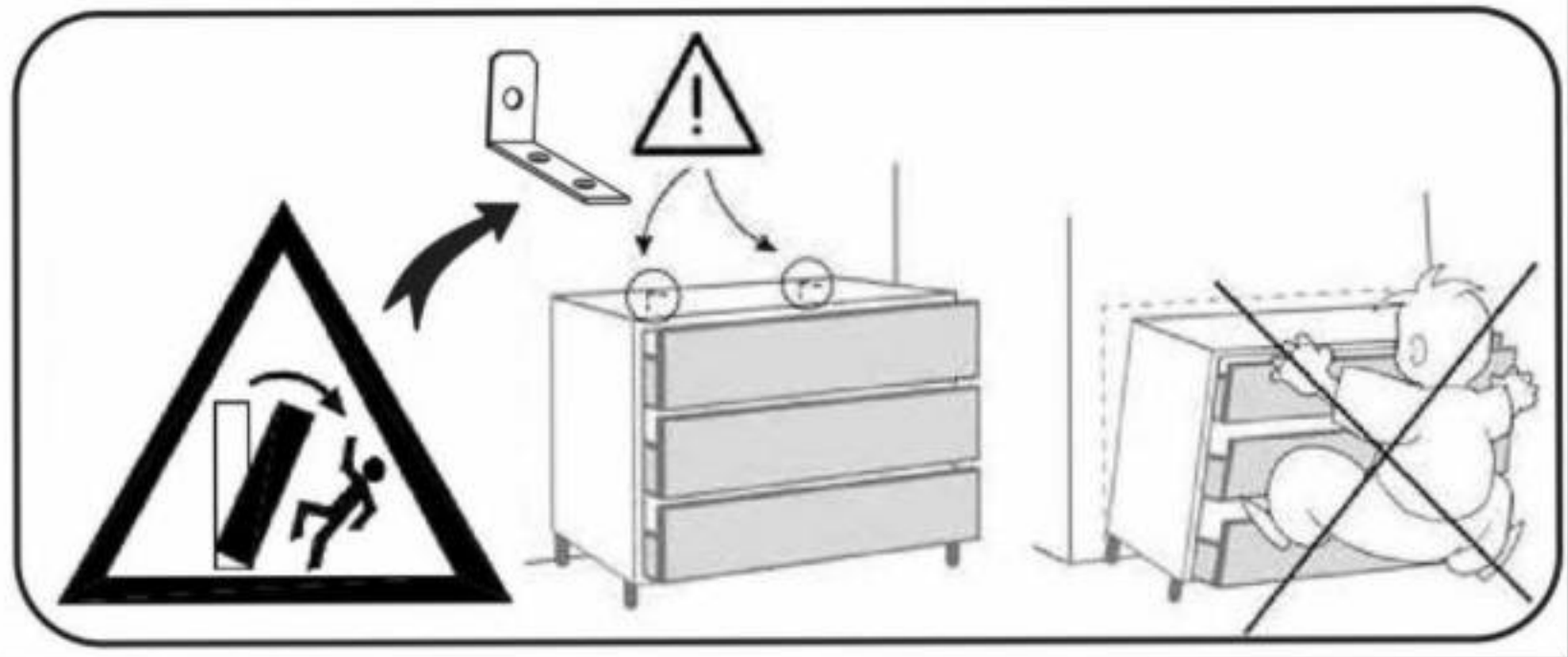
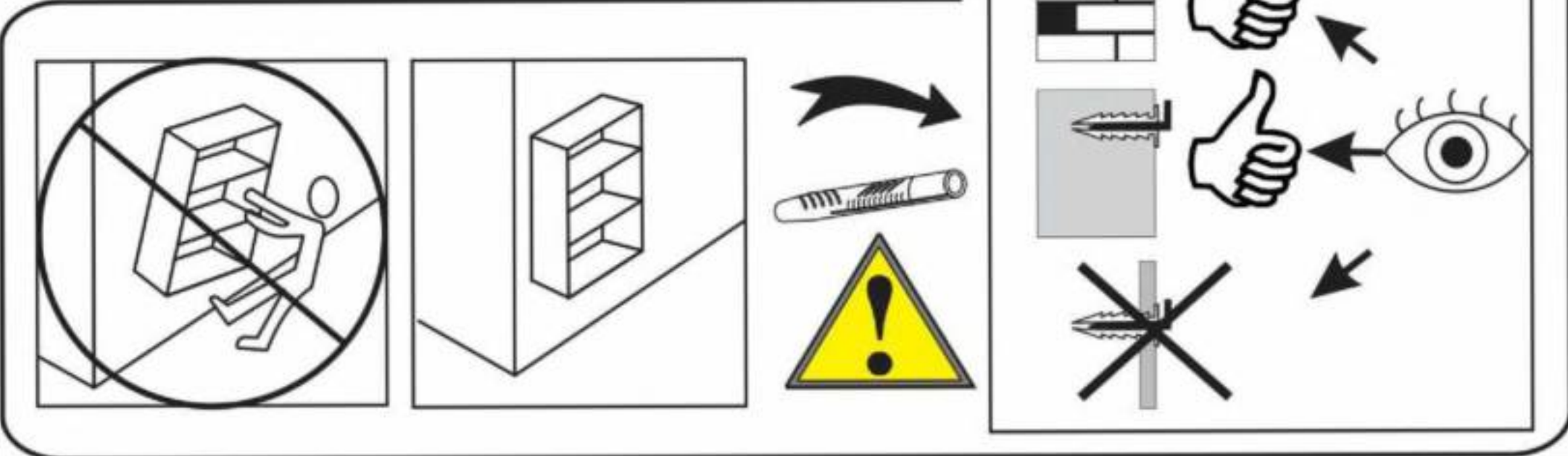
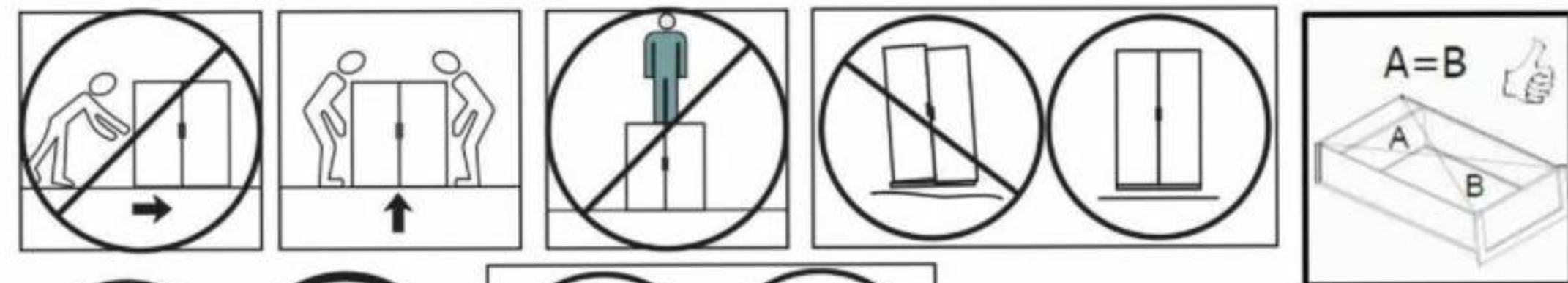
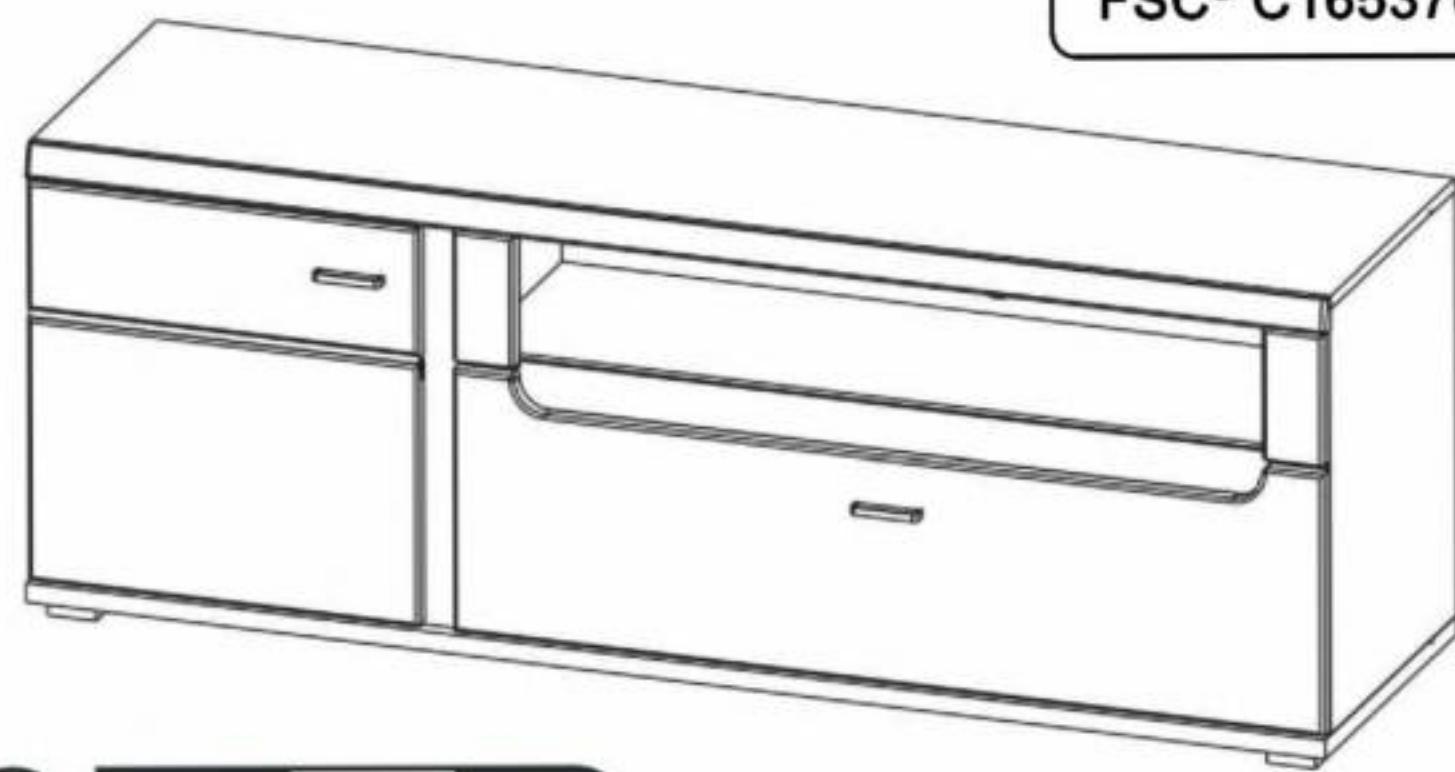
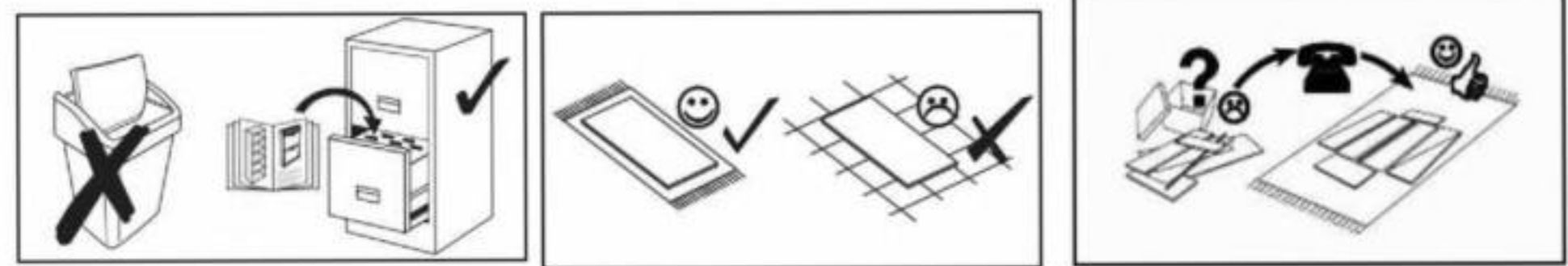
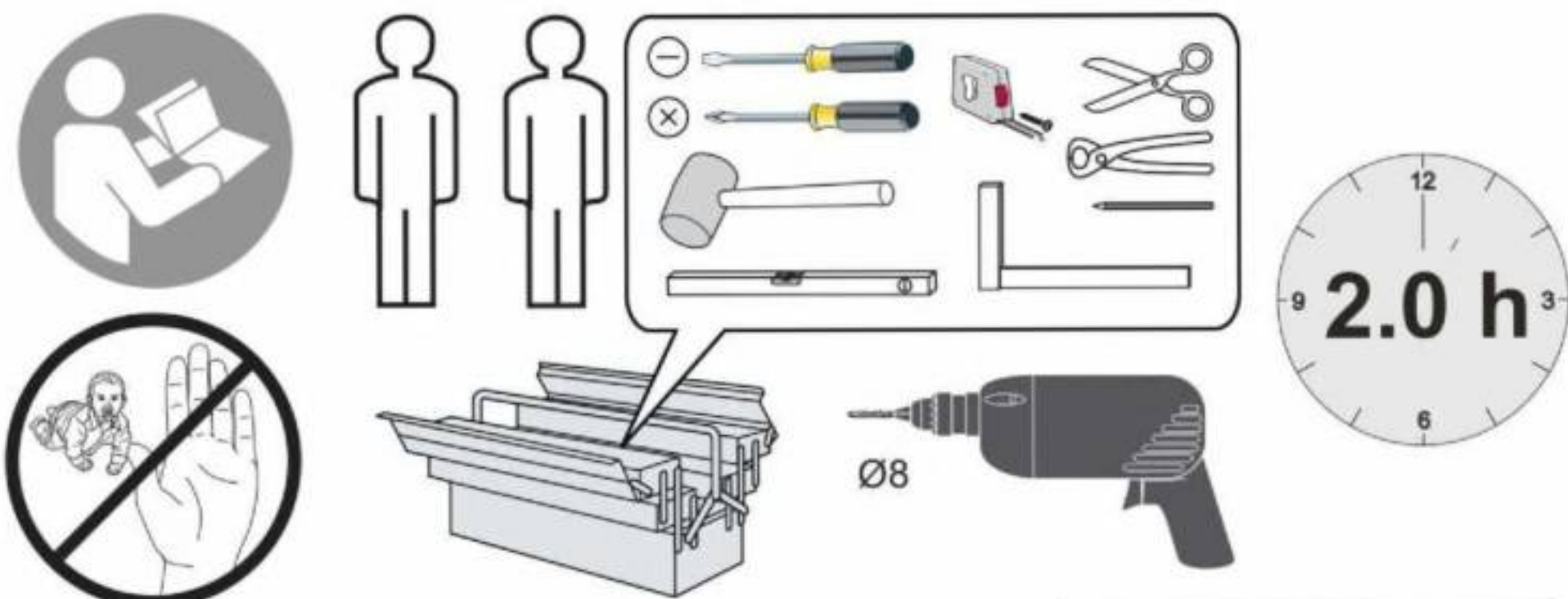
20

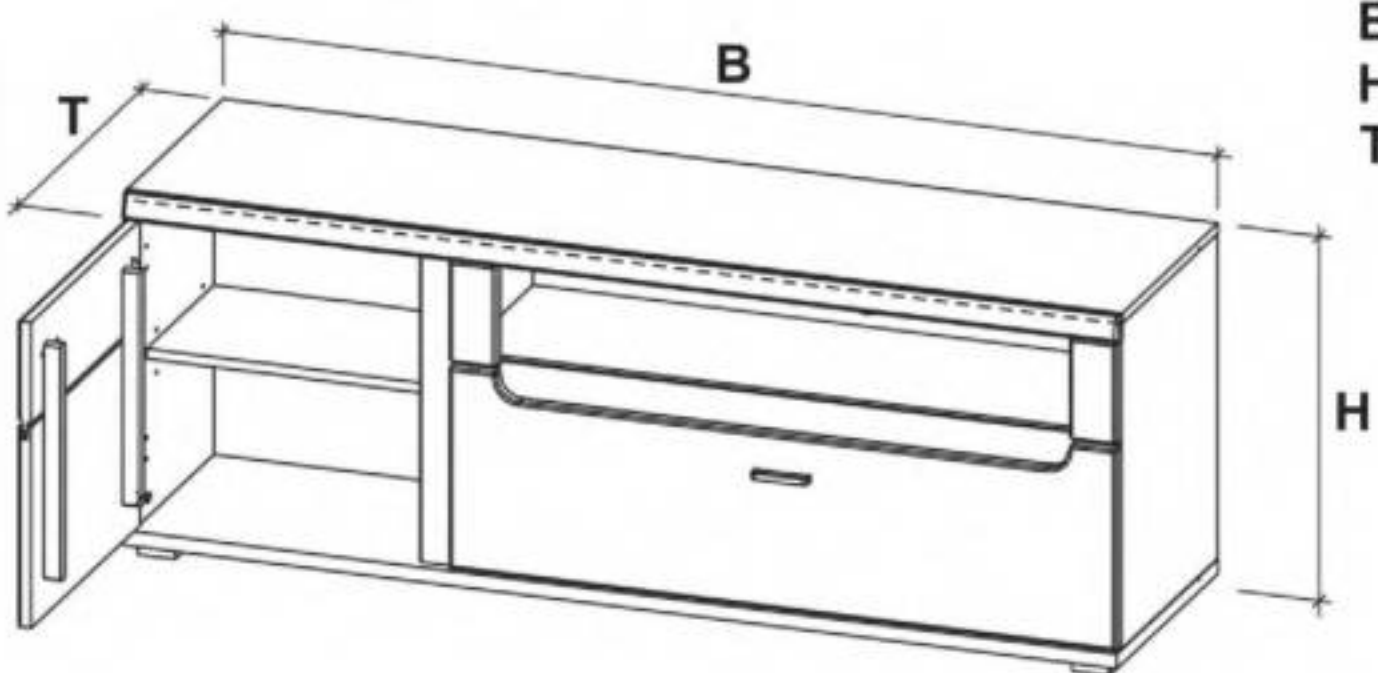


21

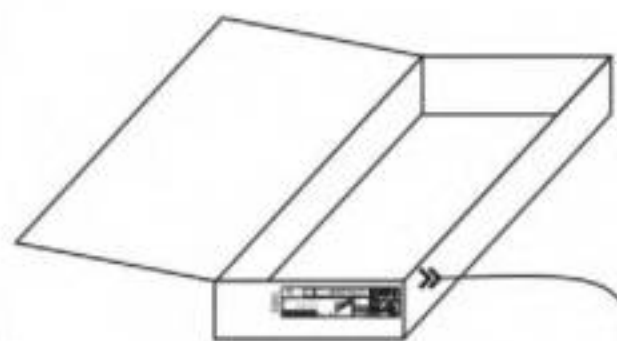
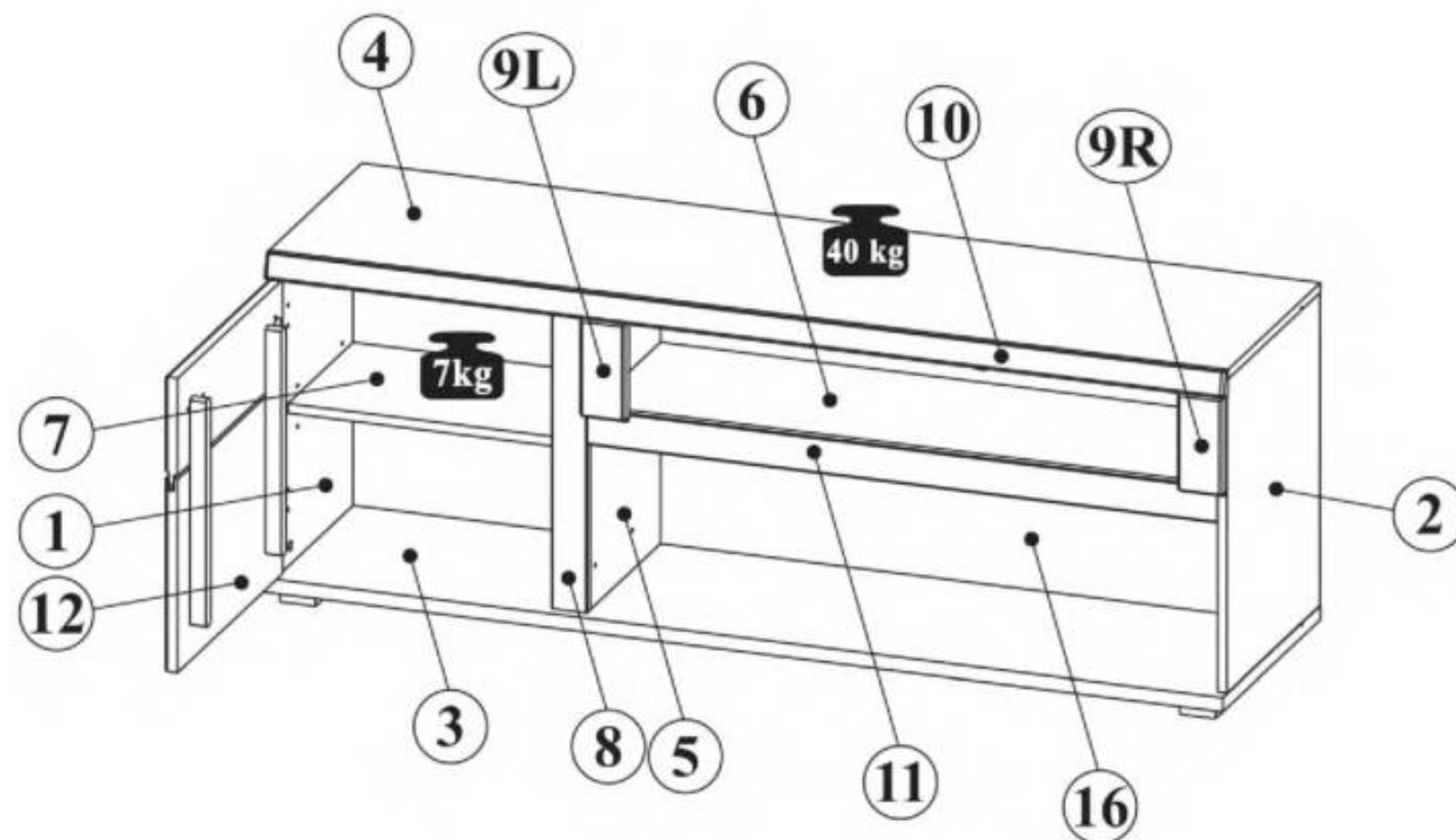




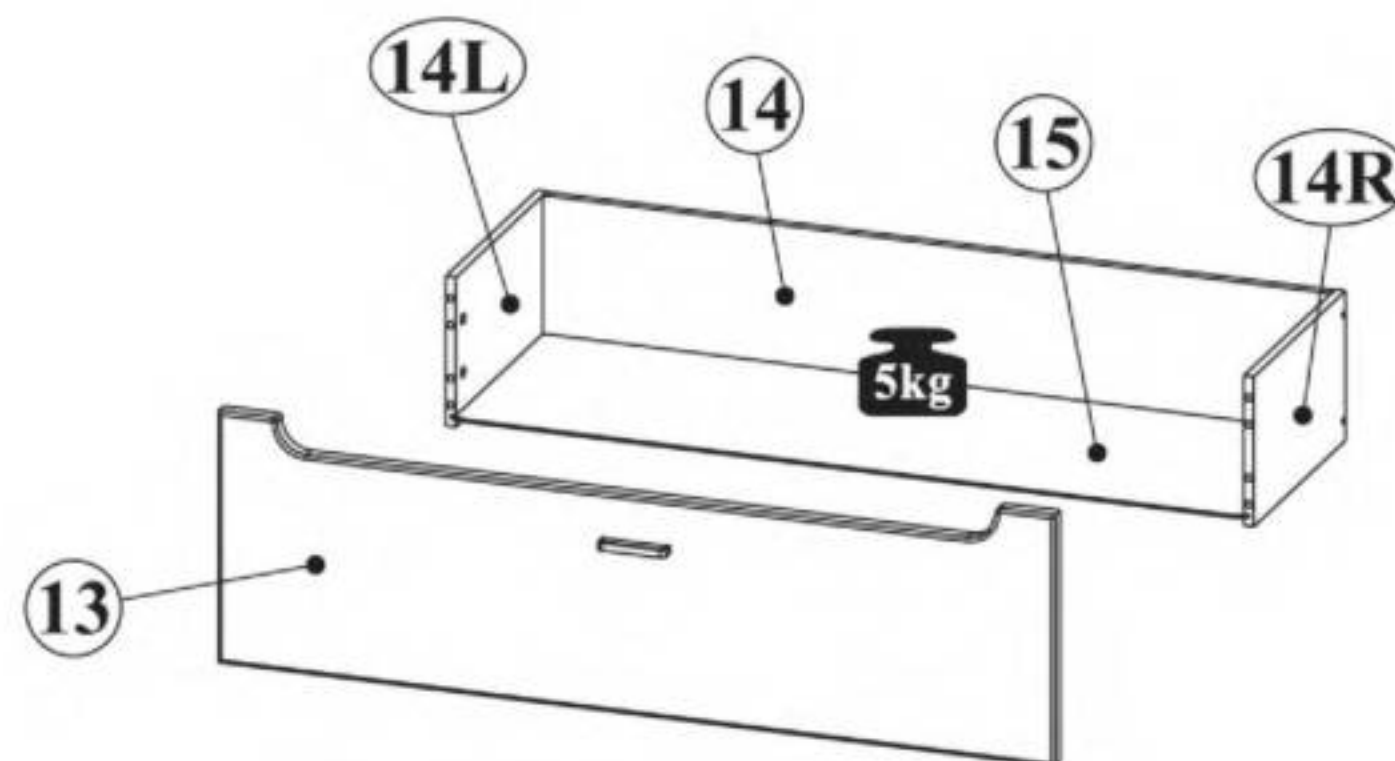





B - 1500mm
H - 547mm
T - 420mm




1,2	490	398	2	1
3	1500	420	1	2
4	1500	398	1	1
5	490	302	1	1
6	984	302	1	1
7	465	280	1	1
8	490	55	1	2
9L,9R	70	158	2	2
10	1502	40	1	1
11	983	55	1	2
12	450	460	1	2
13	1004	302	1	2
14L,14R	305	180	2	2
14	944	180	1	2
15	954	297	1	2
16	1475	501	1	2




NR 1


B1  ϕ 8x30 x28


M1  ϕ 15x12mm x22


T1  x26


W1  x4


NR 2


C14  x26

J23  x14

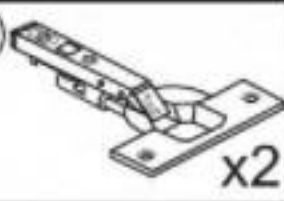
P2  3x20 x6


F33  x7


P13  3,5x13 x28

C15  x5

NR 3

X11  x2

PH  x2

S8  3,5x13 x4

NR 4

Q30  L-300mm x1L/1R

E24  6x8 x4

M2  ϕ 15x10mm x4


P5  4x30 x4

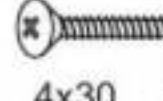
F288  L-288 x2

P10  3x13 x4


S3  3,5x13 x4

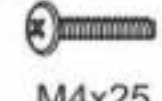
NR 5

N20  x5


S2  4x30 x20


NR 6

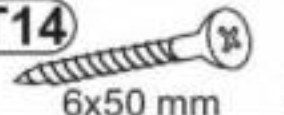
U188  x2

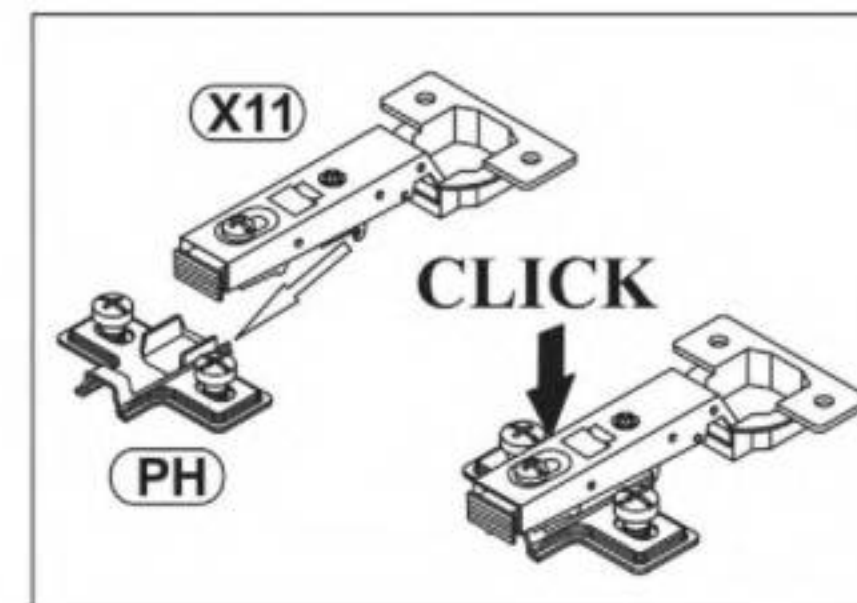
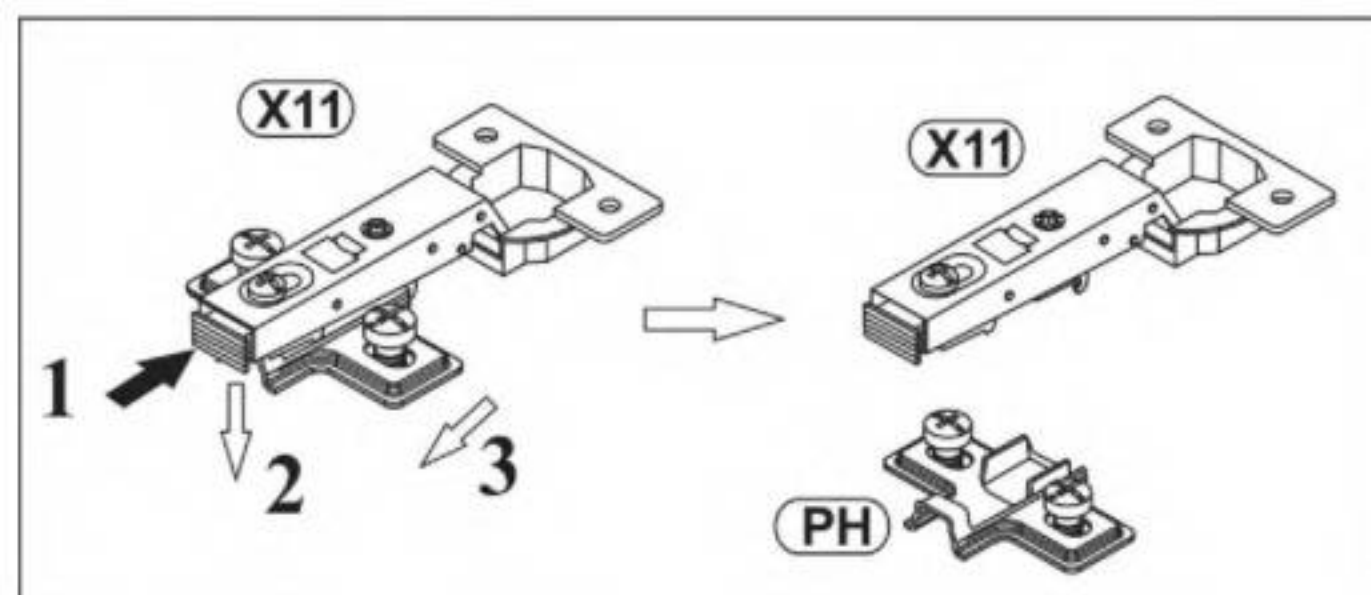
A2  M4x25 x4

NR 7

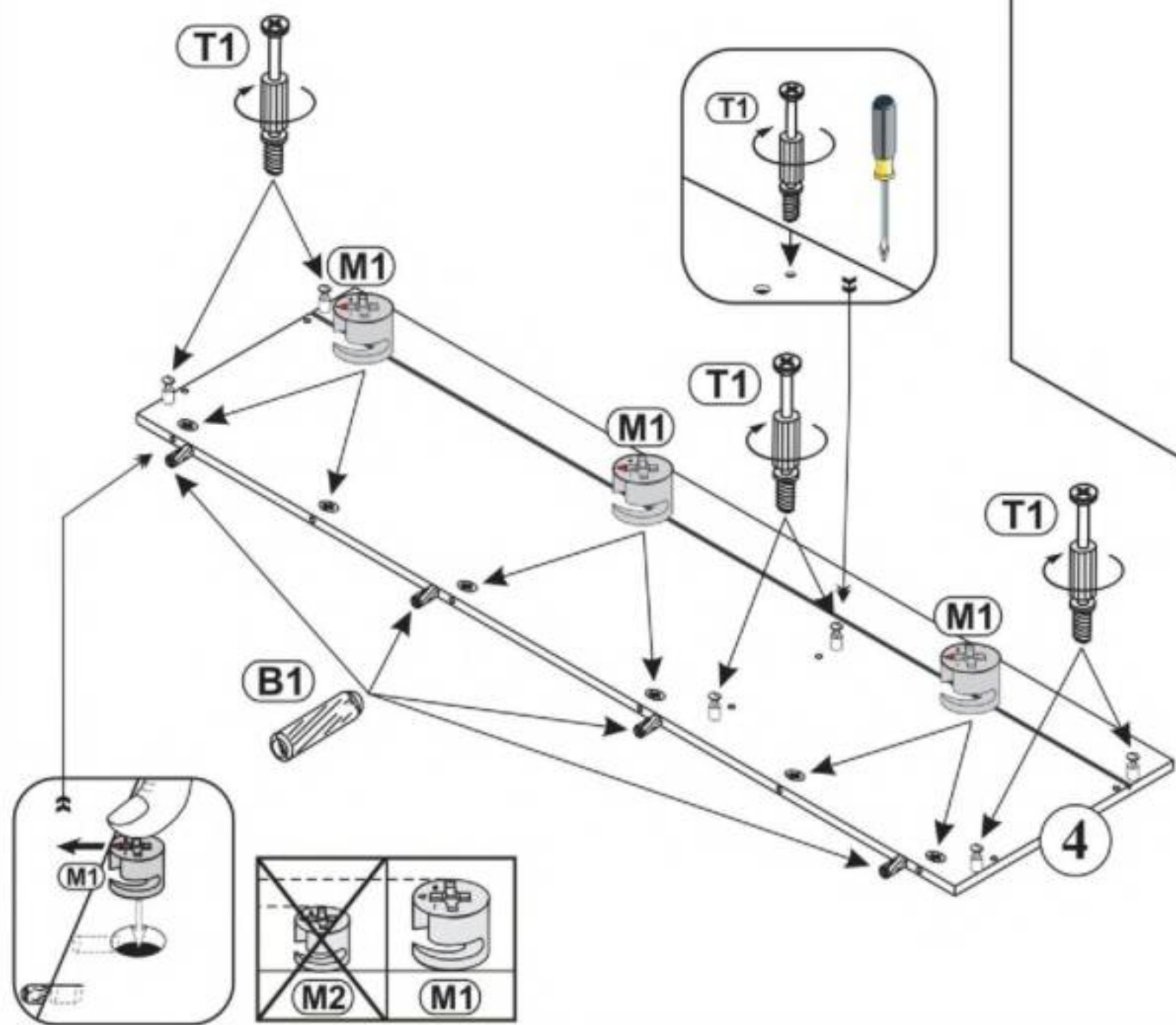
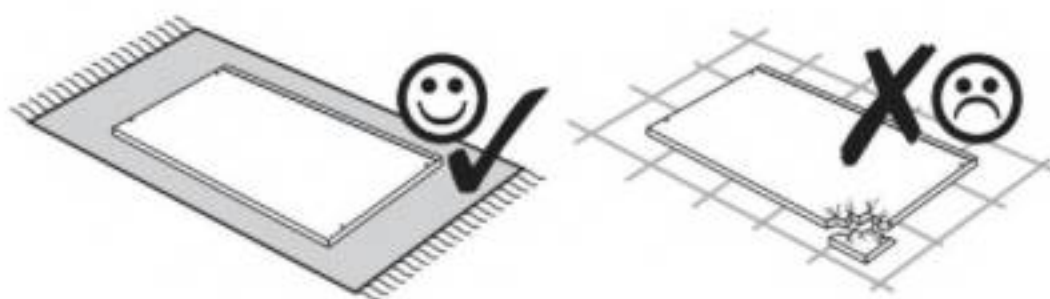
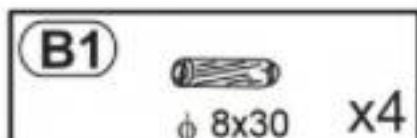
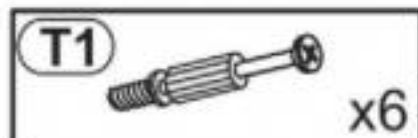
J11  x2

T13  8x50 mm x2

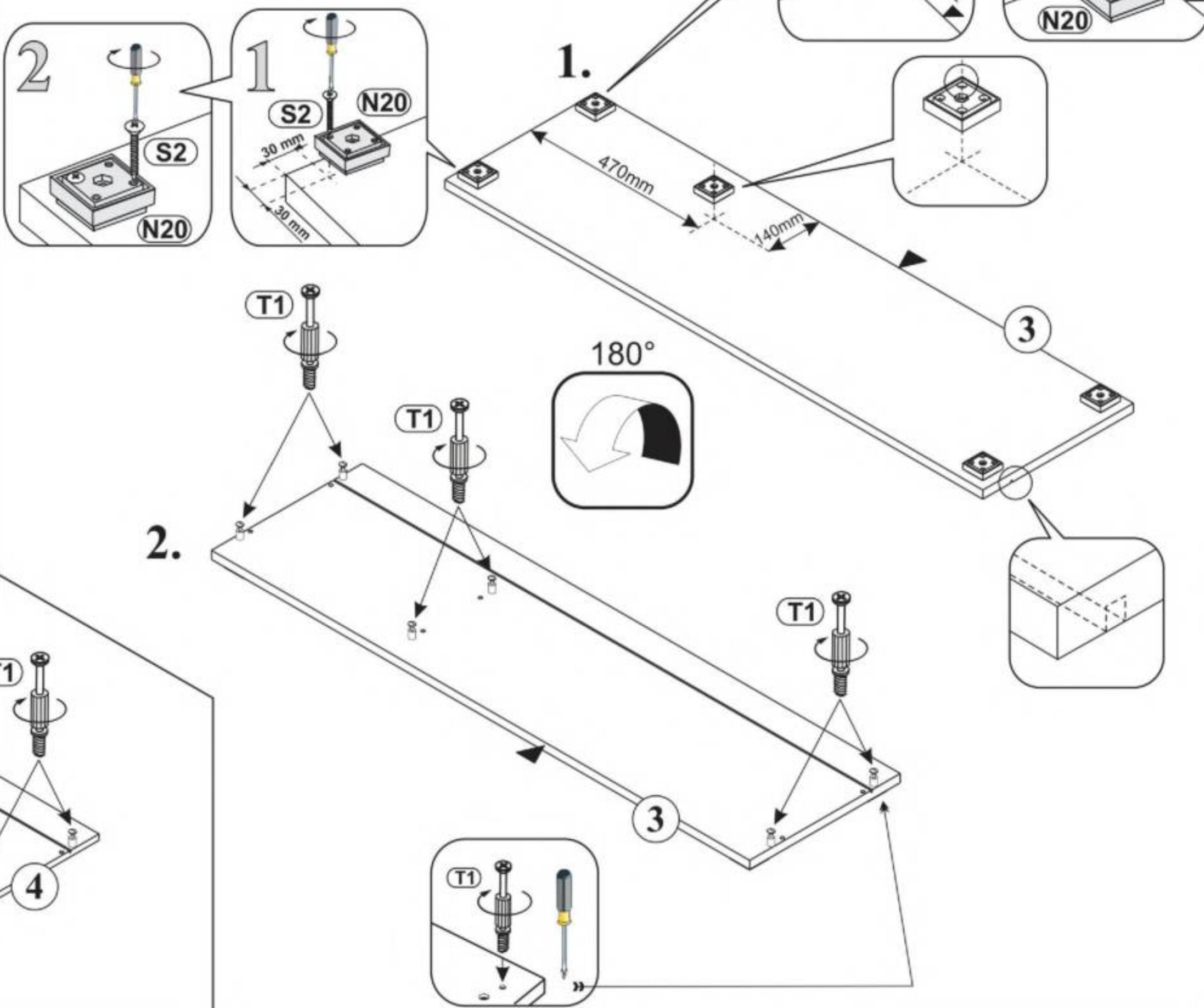
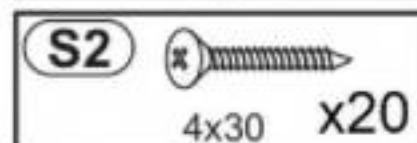
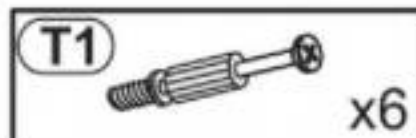
T14  6x50 mm x2



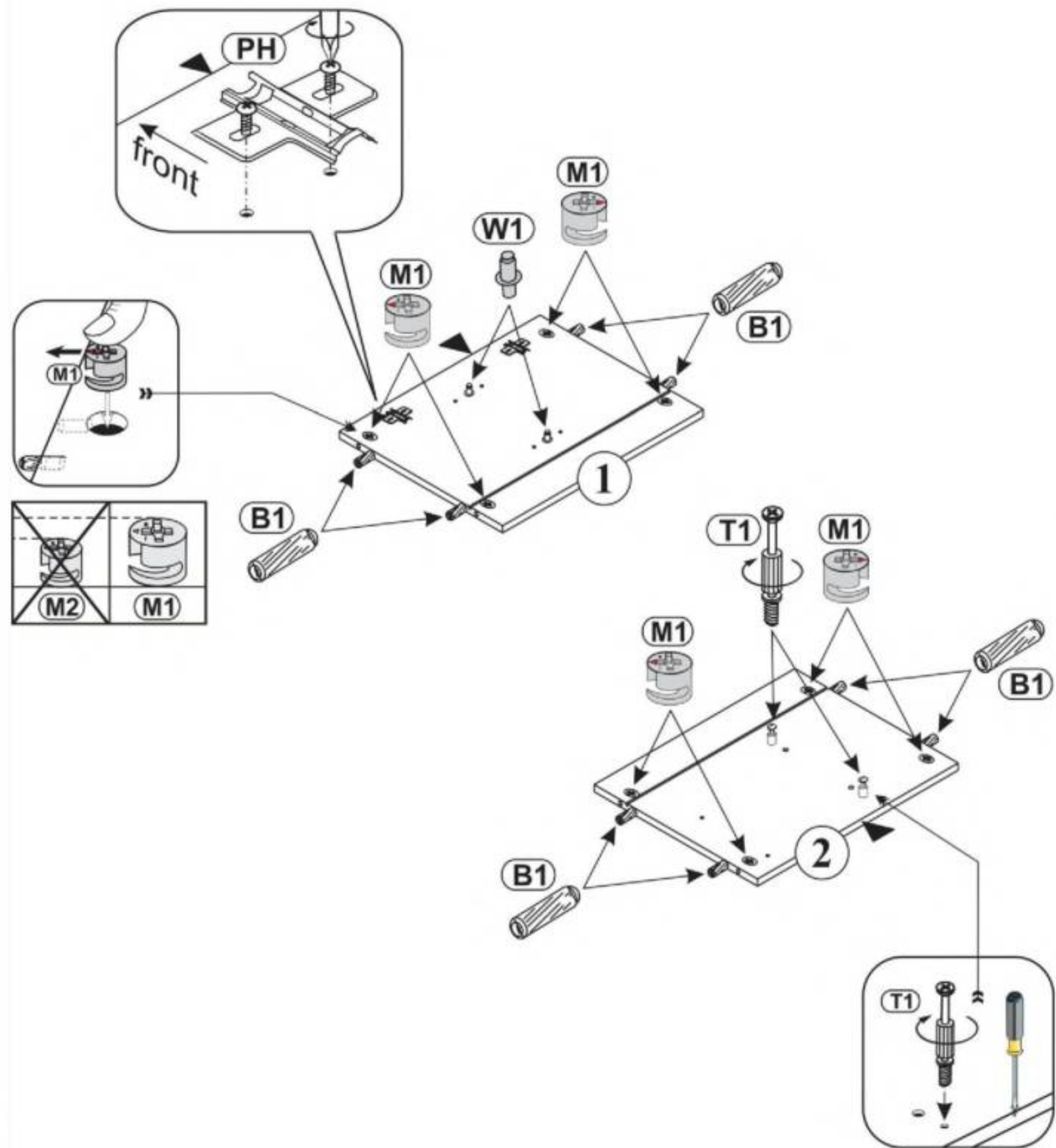
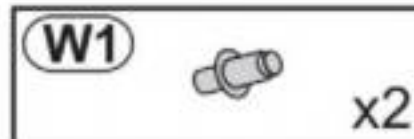
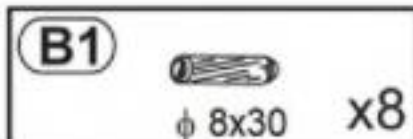
3



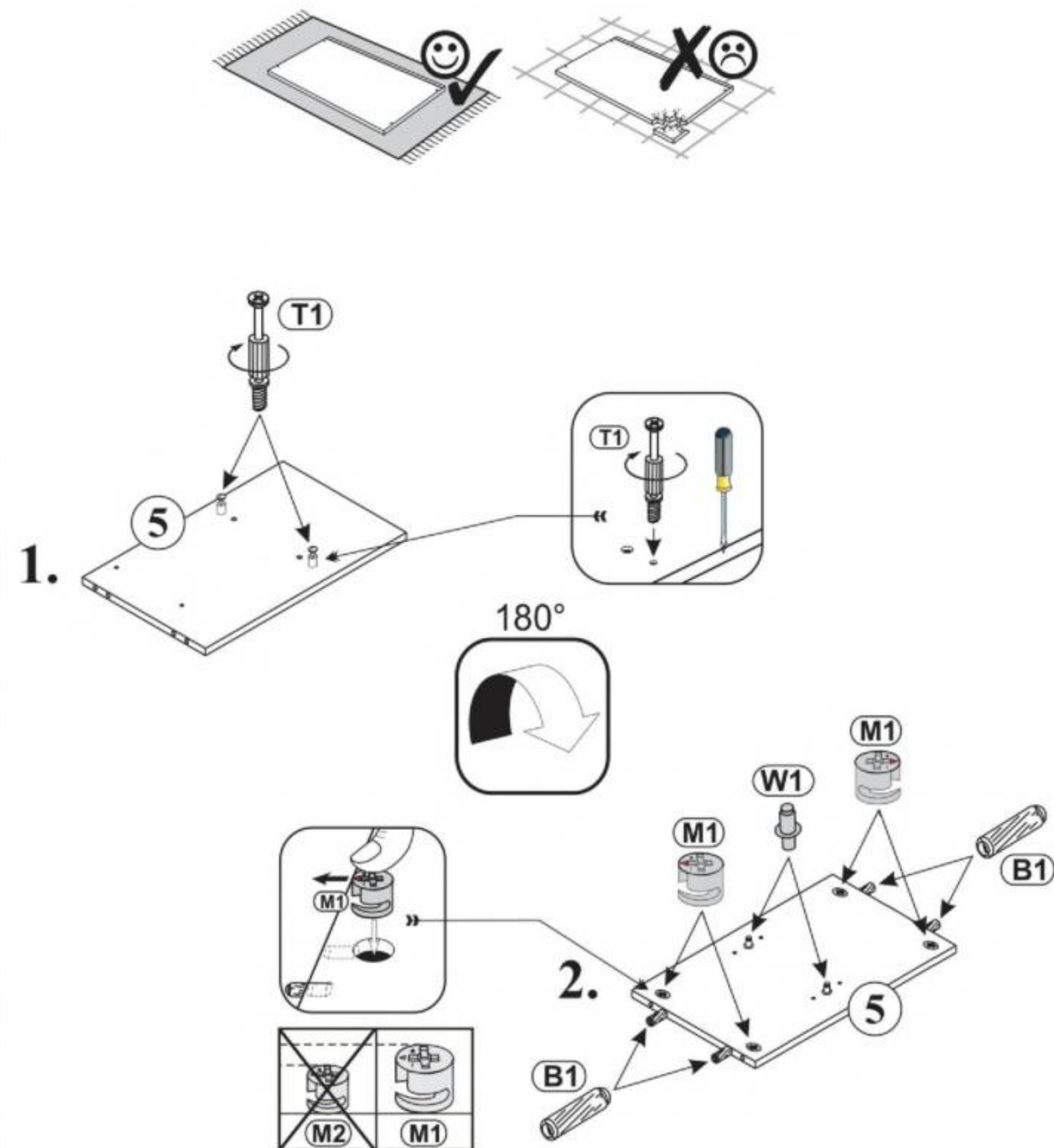
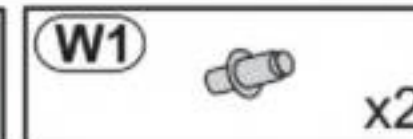
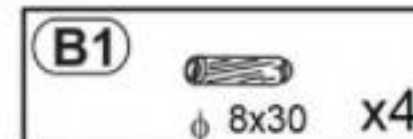
4







1

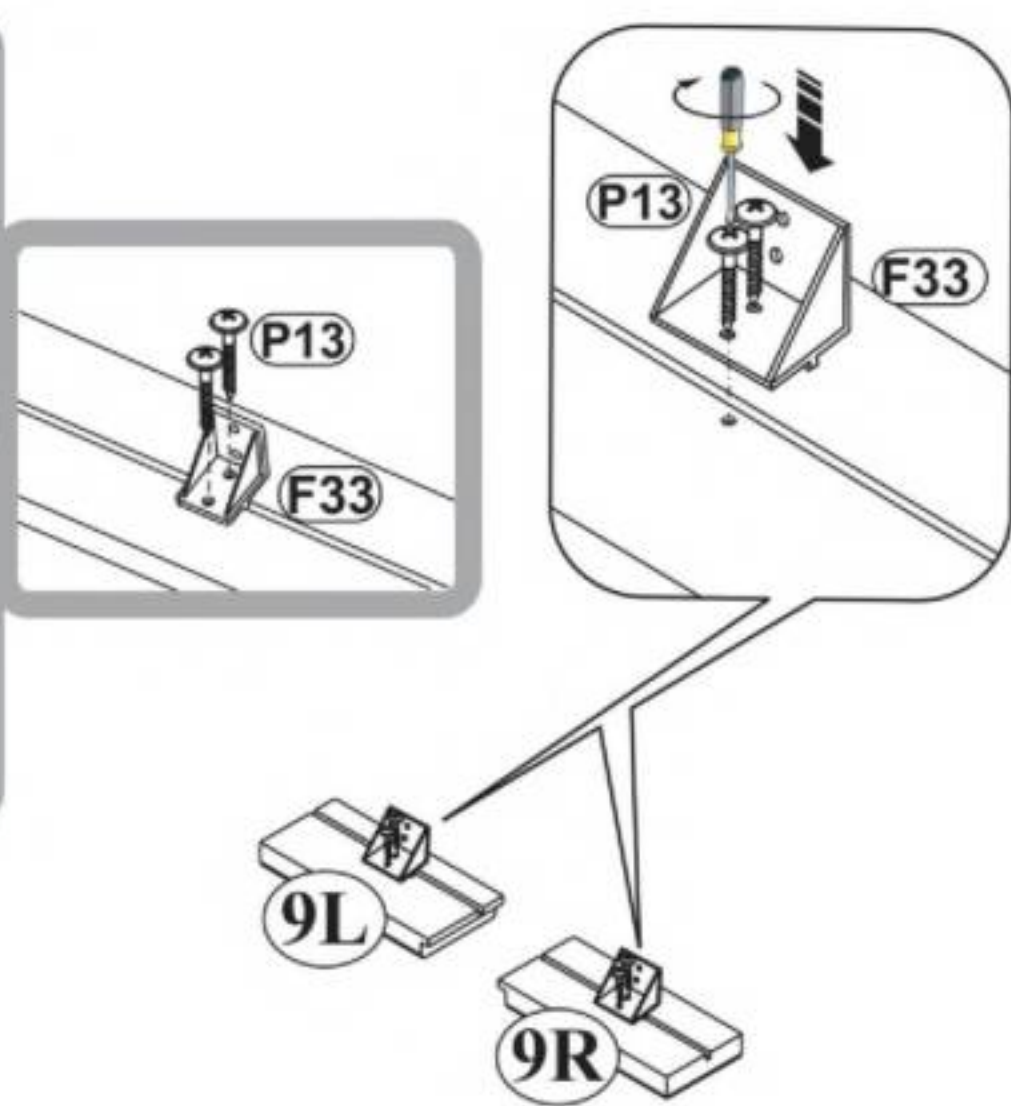
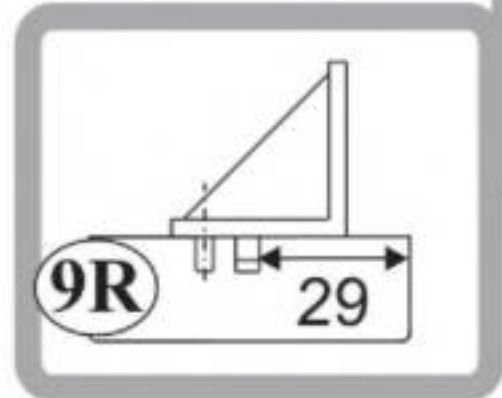
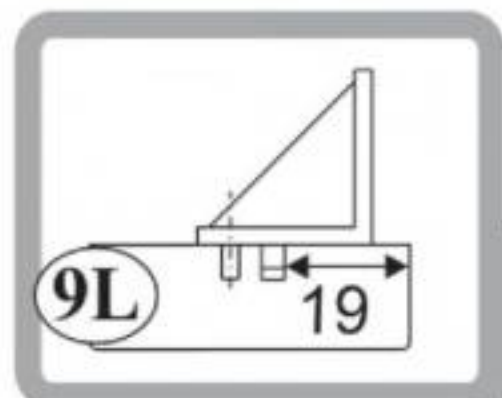
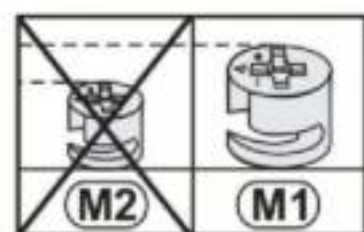
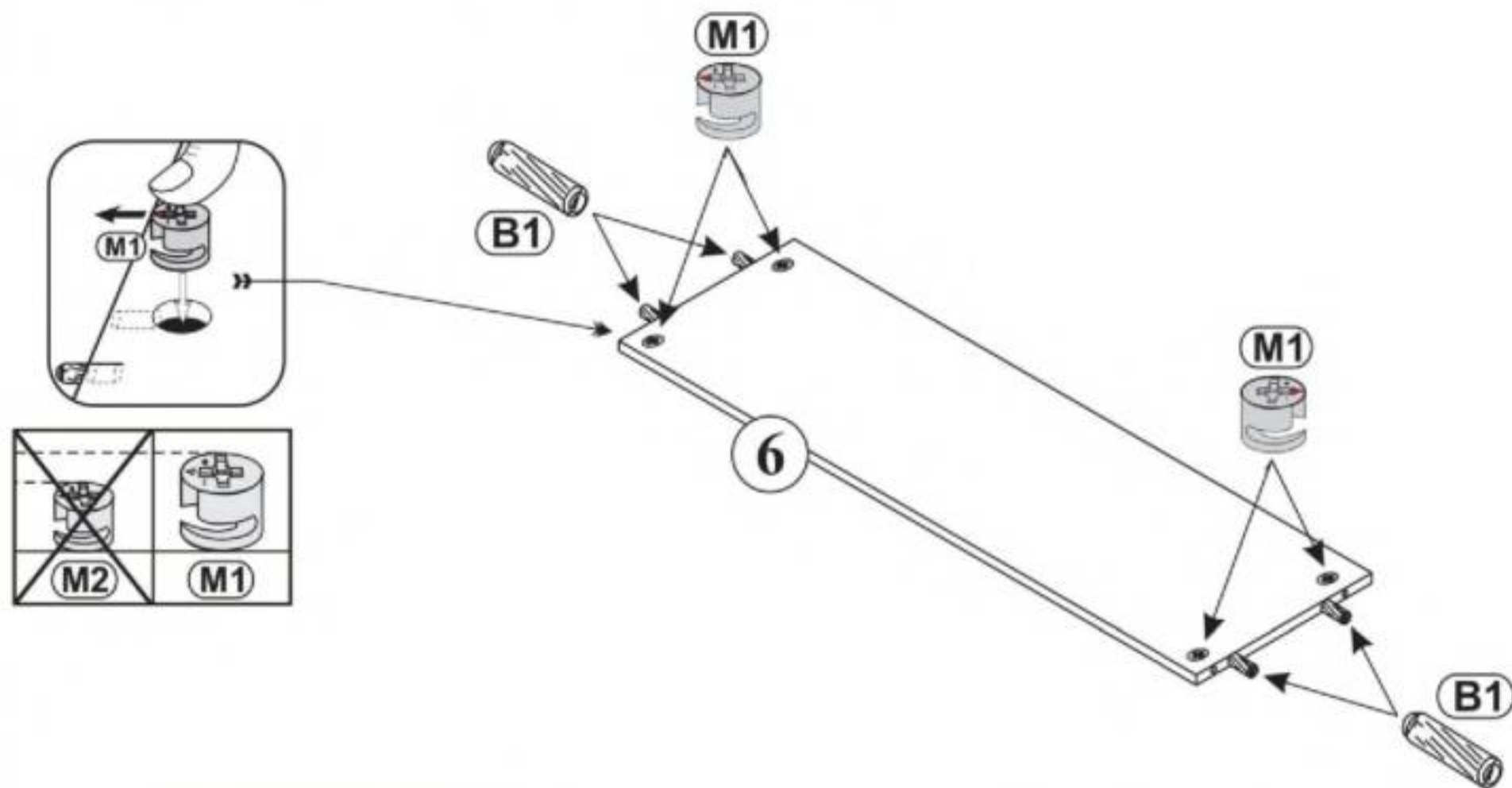


2




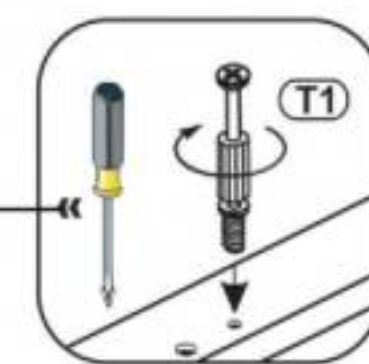
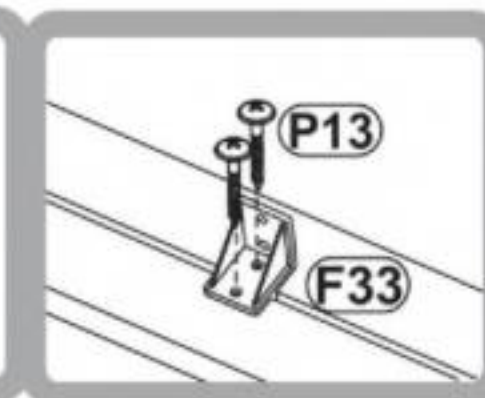
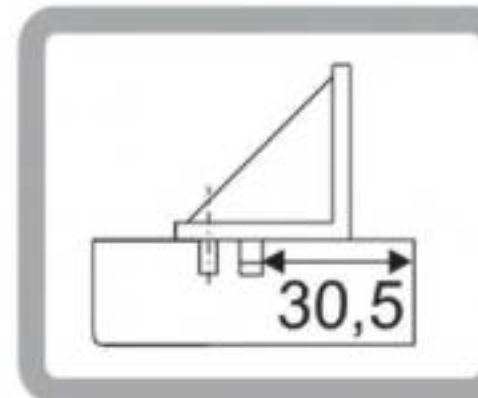
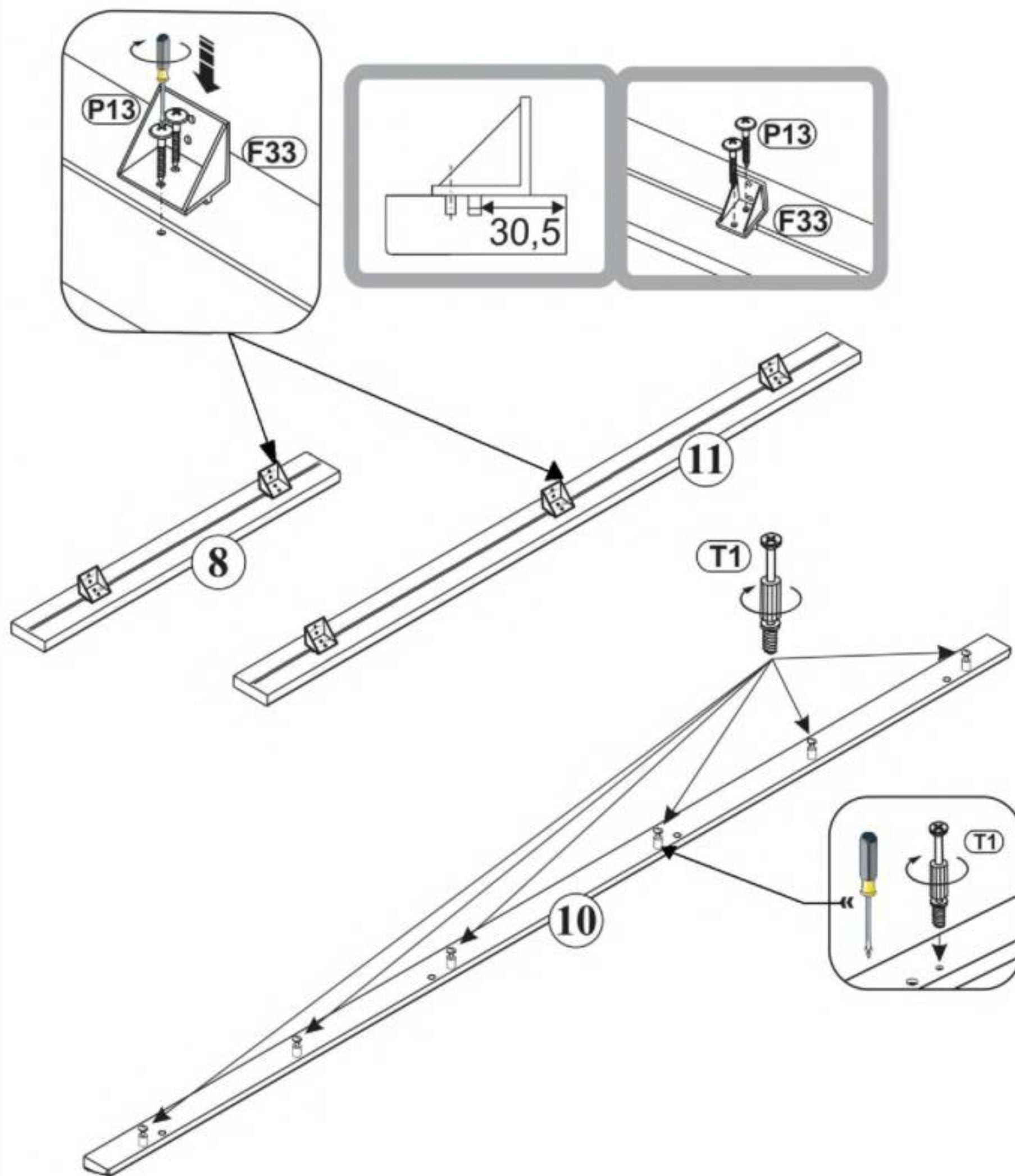
5

- B1**  ϕ 8x30 x4
- F33**  x2
- M1**  ϕ 15x12mm x4
- P13**  3,5x13 x4

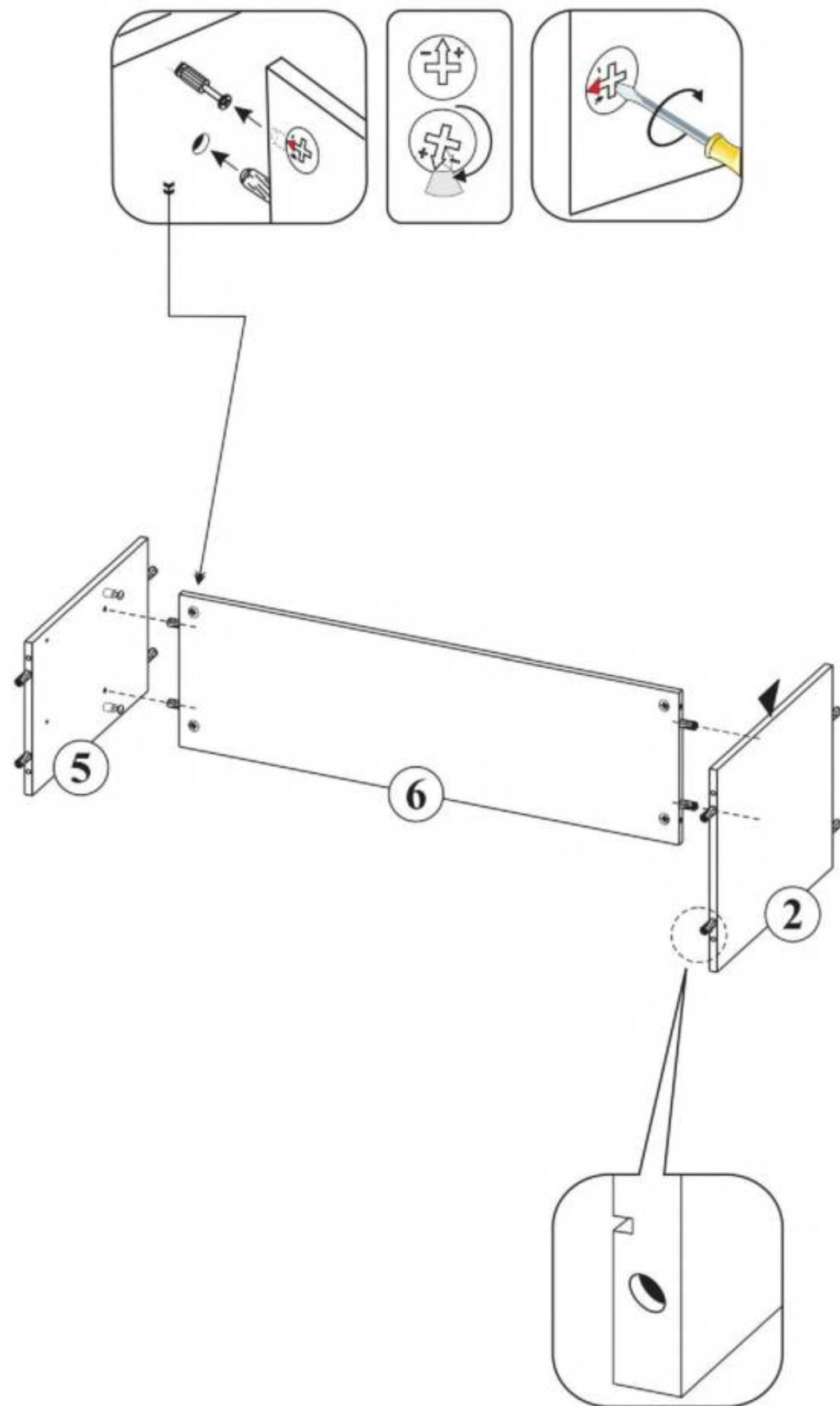


6

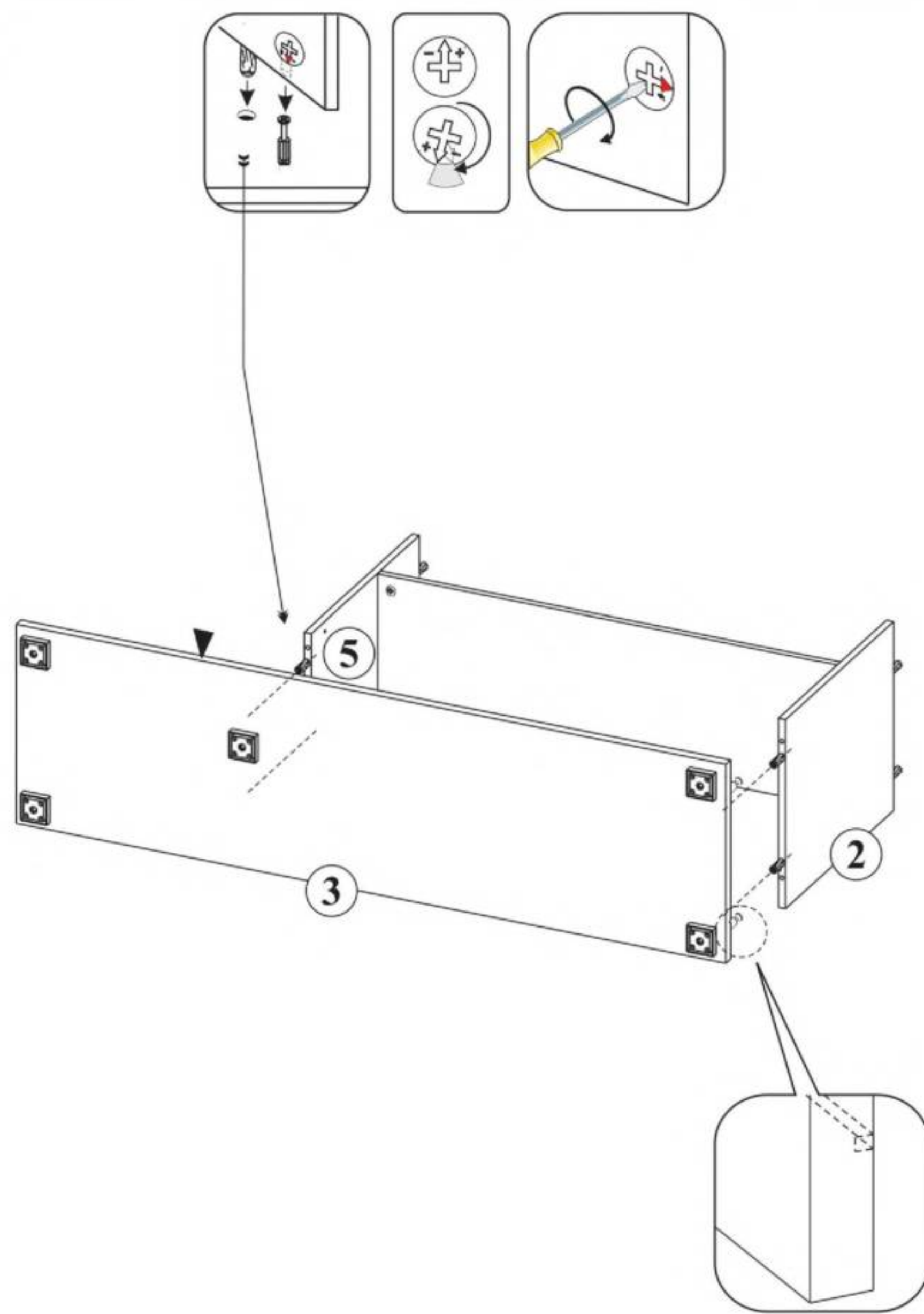
- T1**  x6
- F33**  x5
- P13**  3,5x13 x10



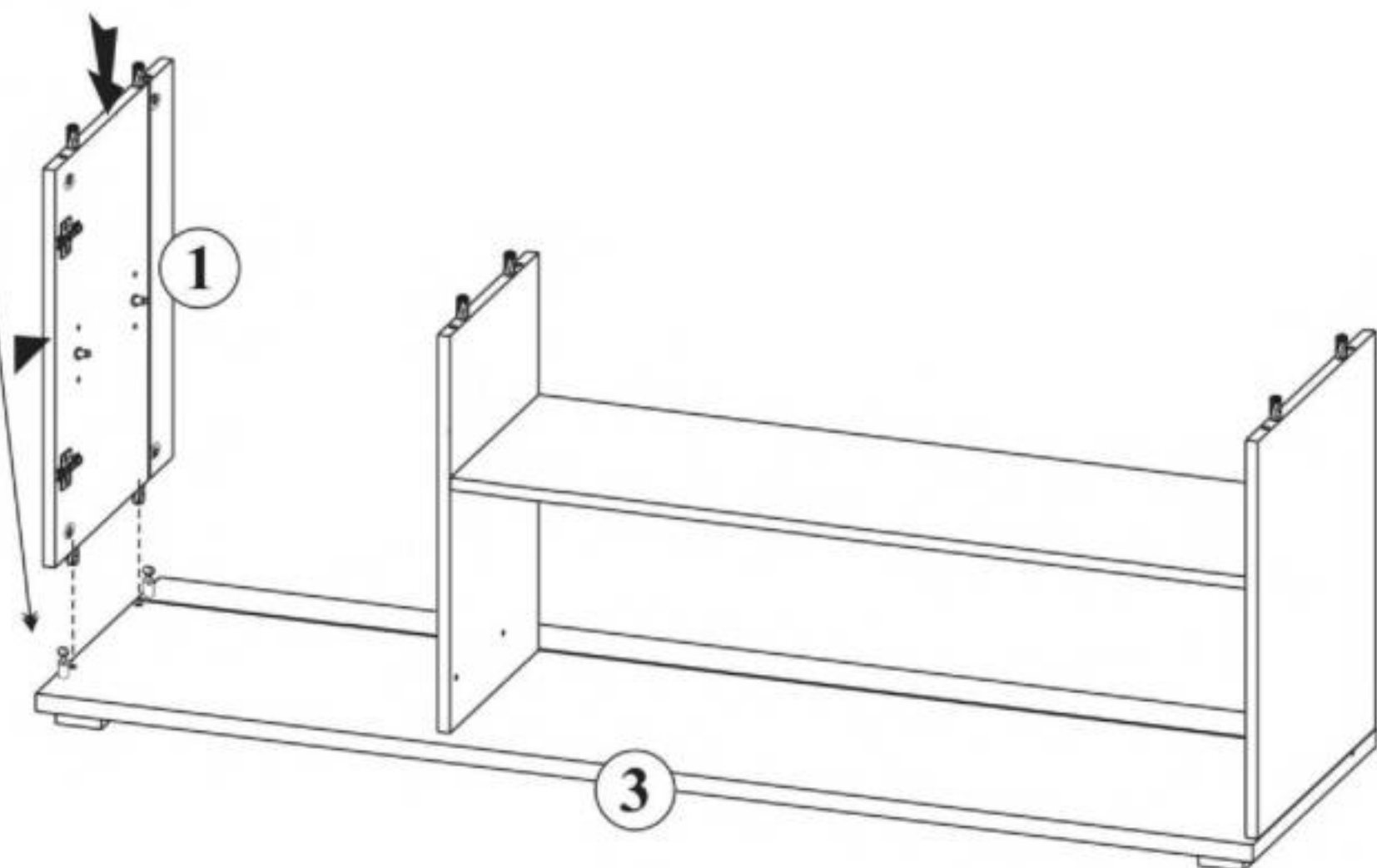
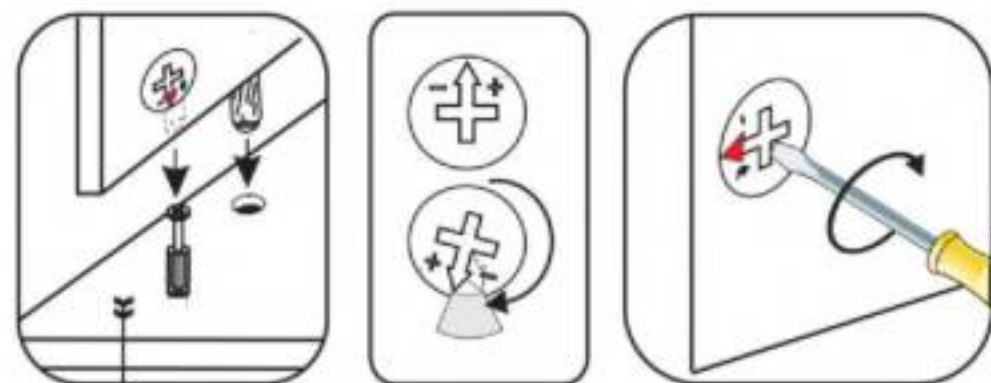
7



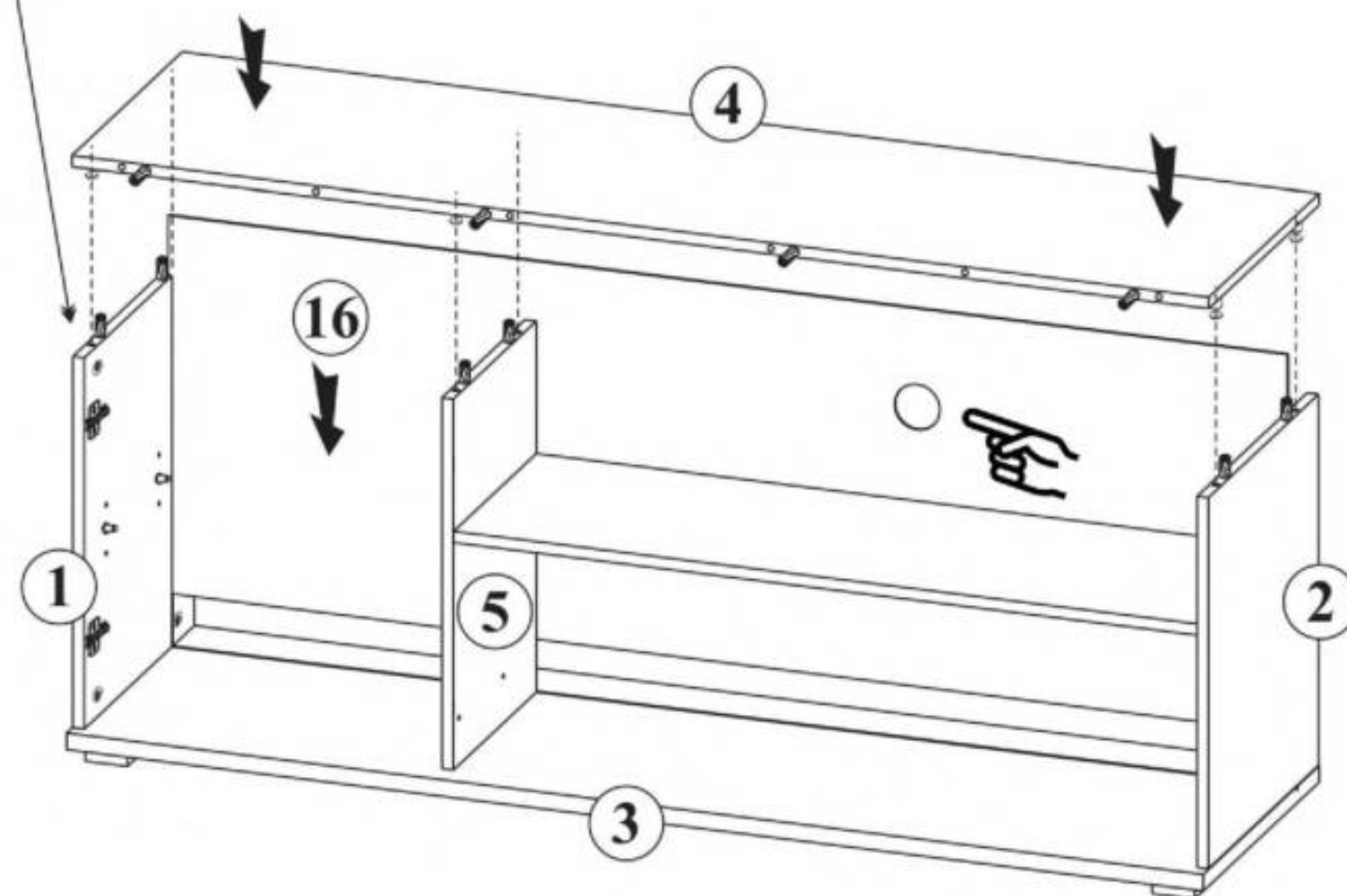
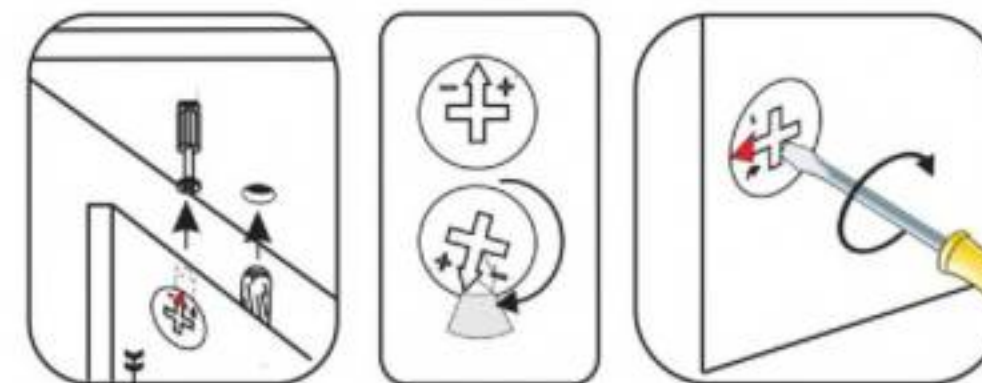
8




9

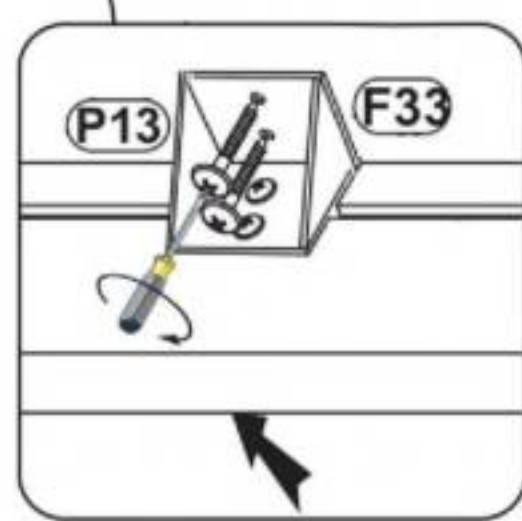
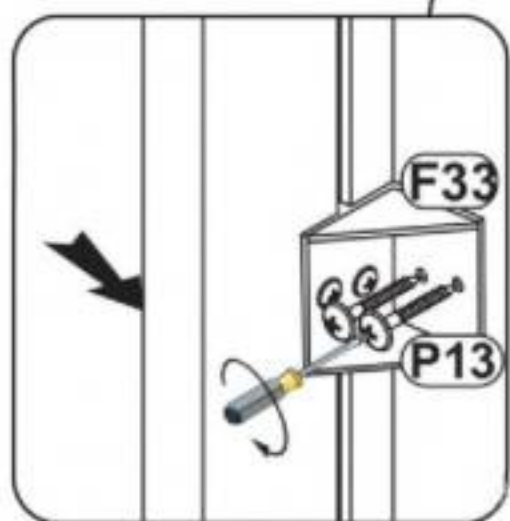
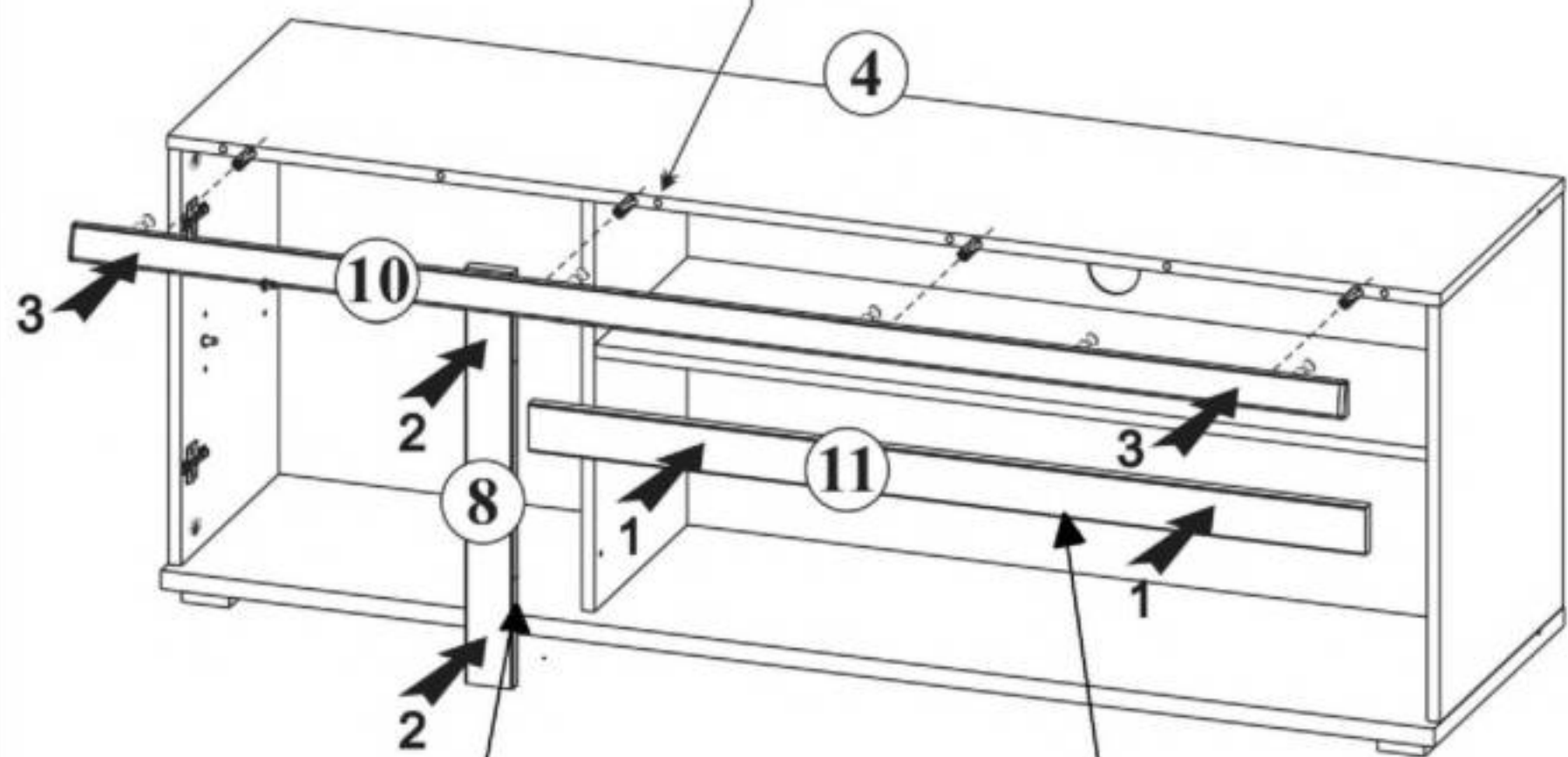
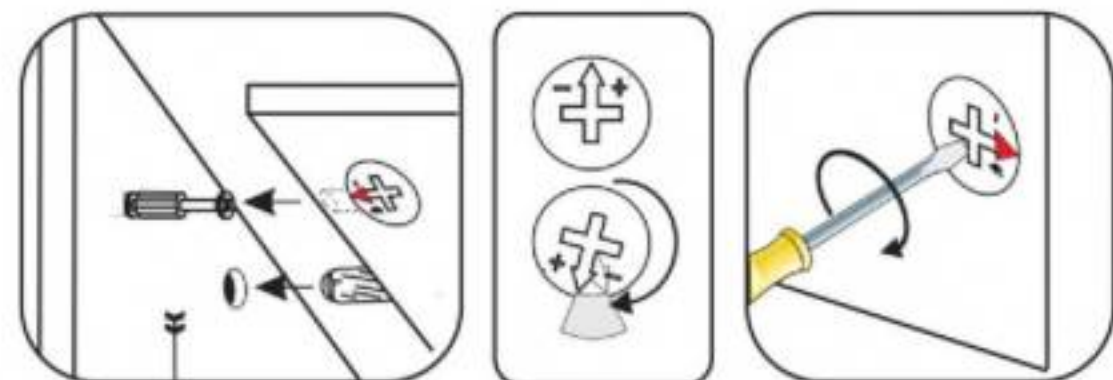


10




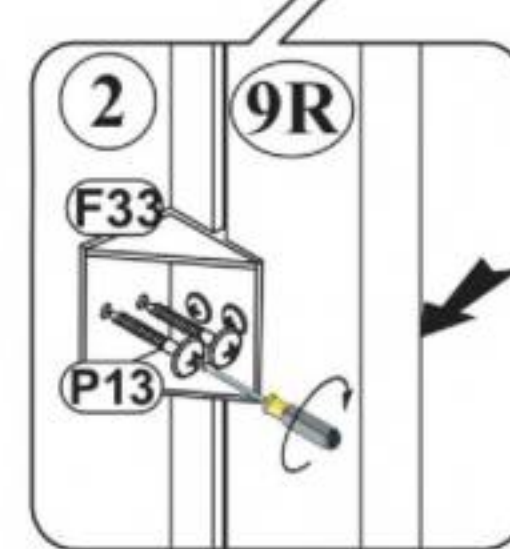
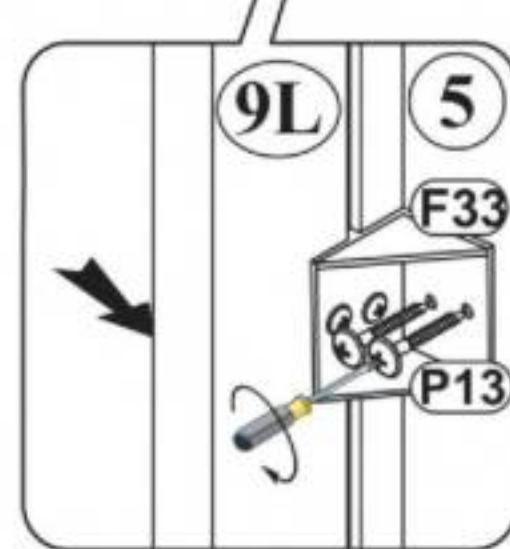
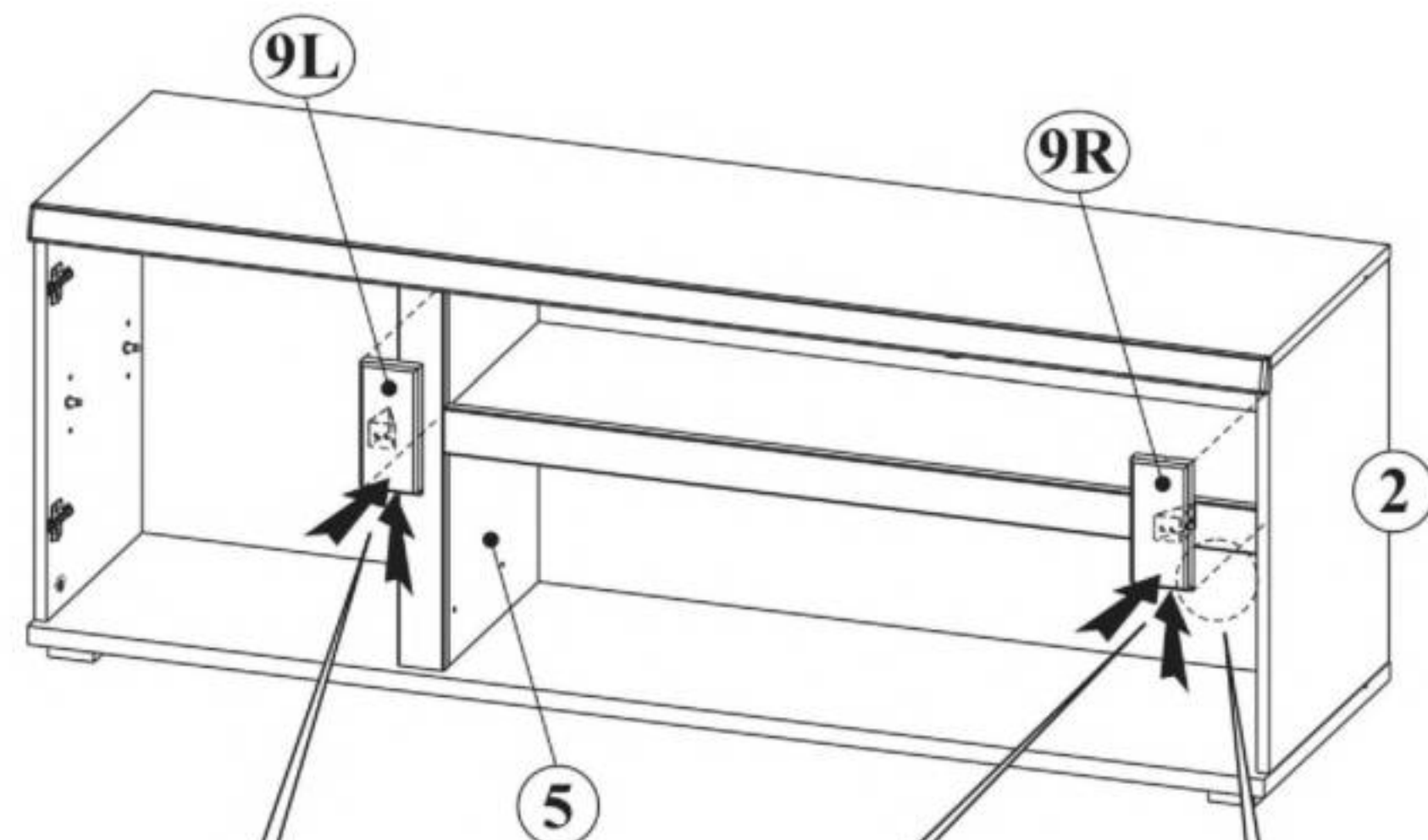
11

P13  3,5x13 X10

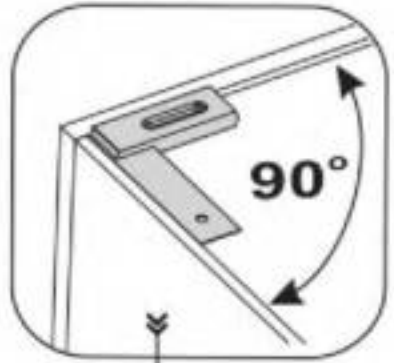
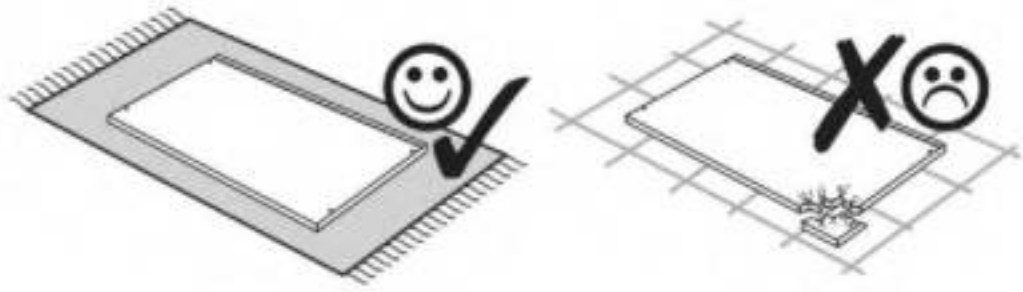


12

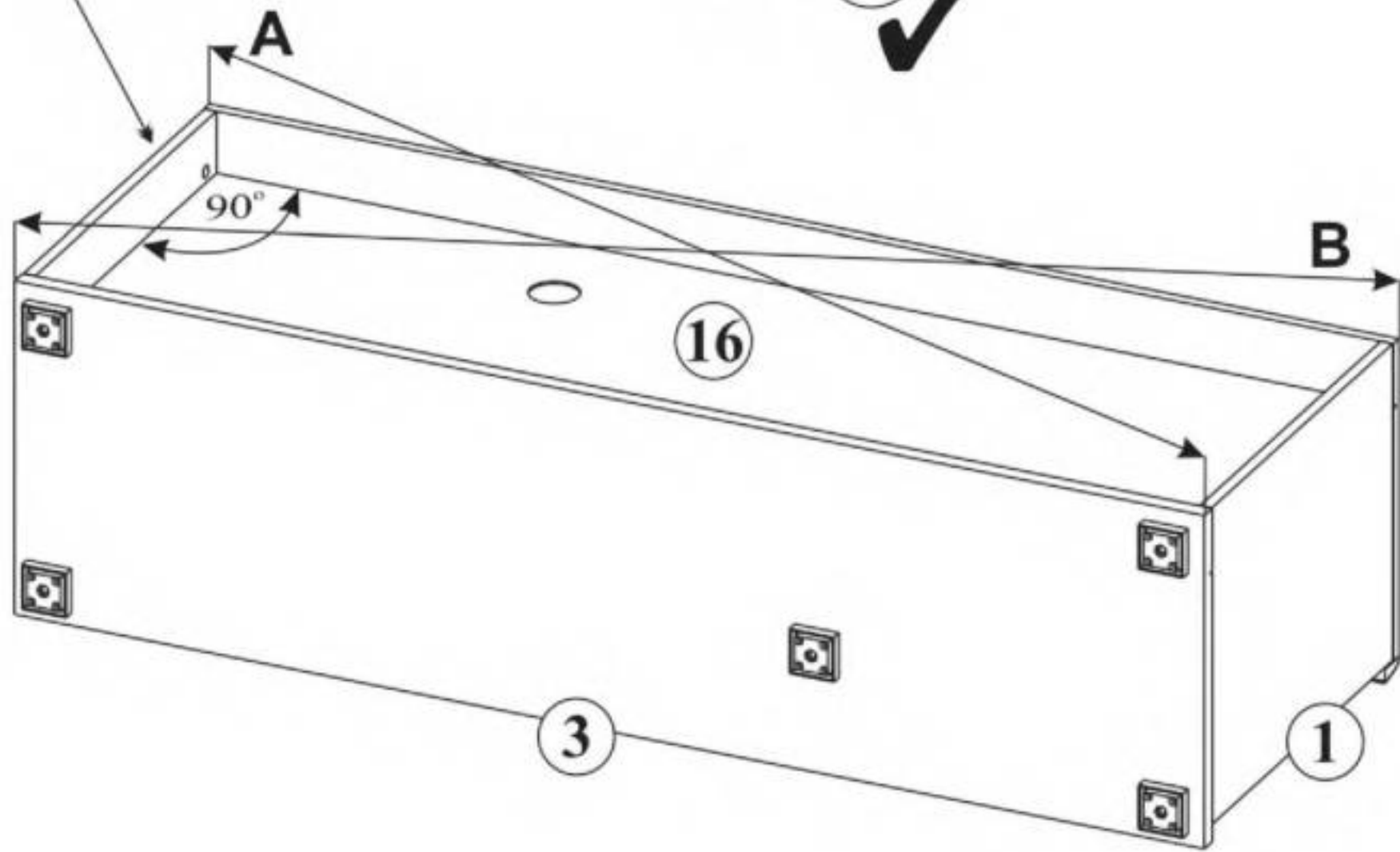
P13  3,5x13 X4



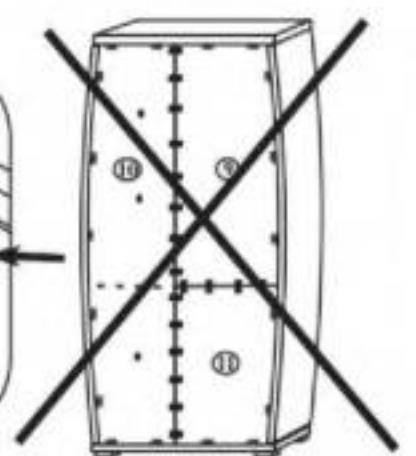
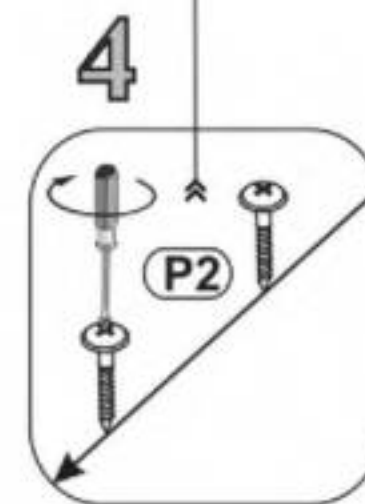
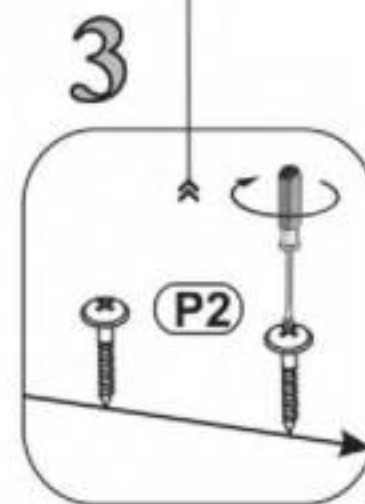
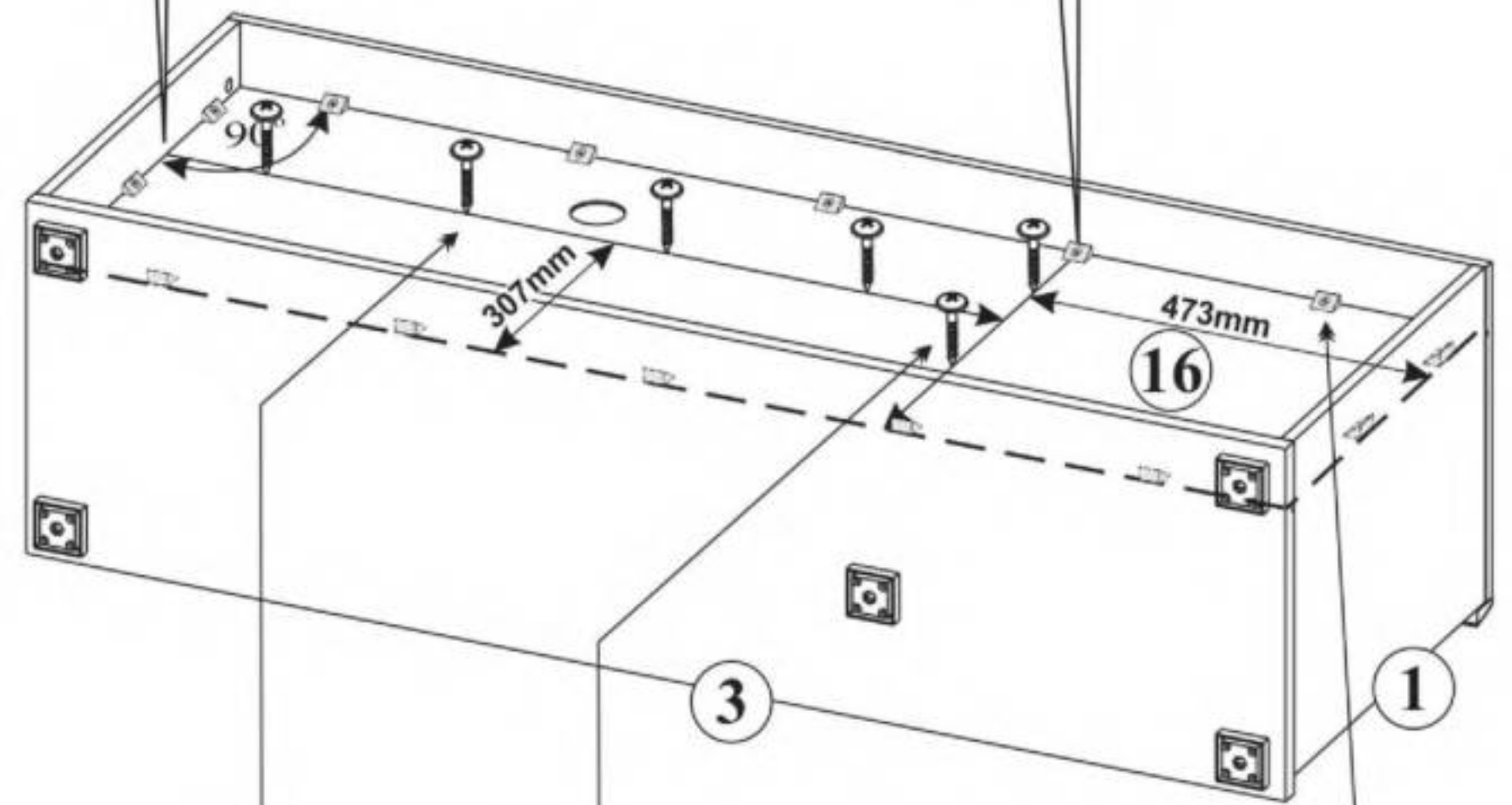
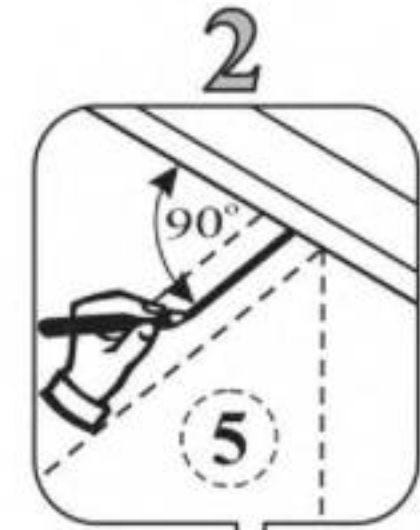
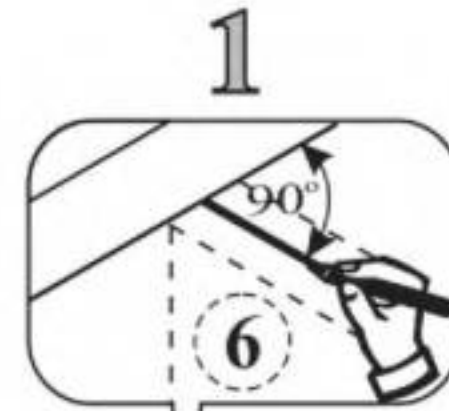
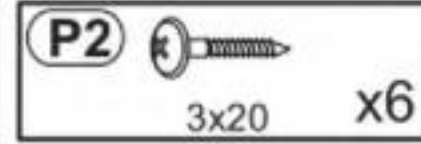
13



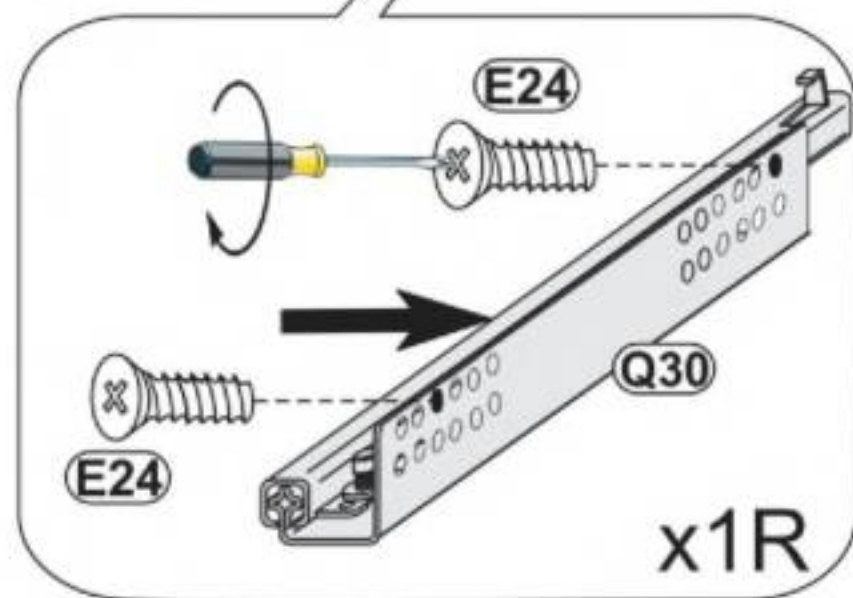
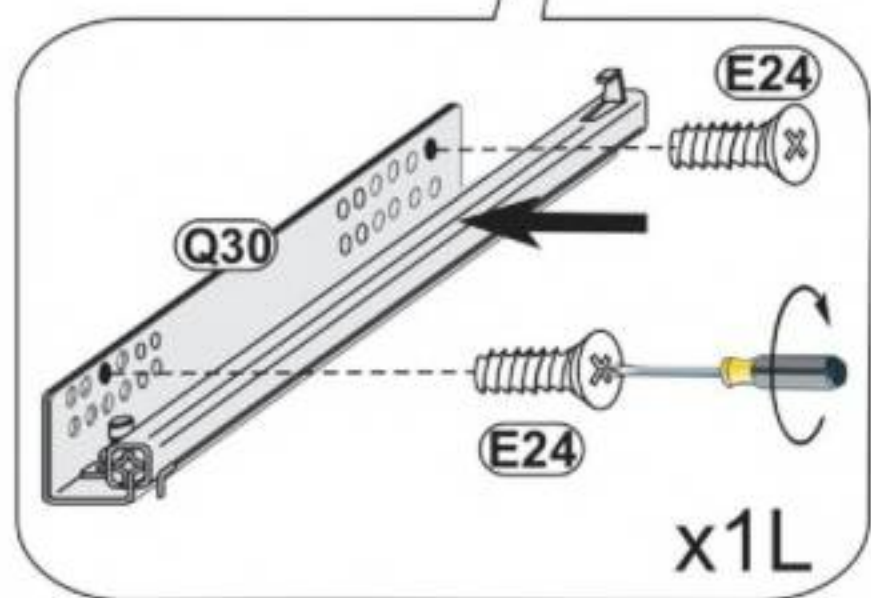
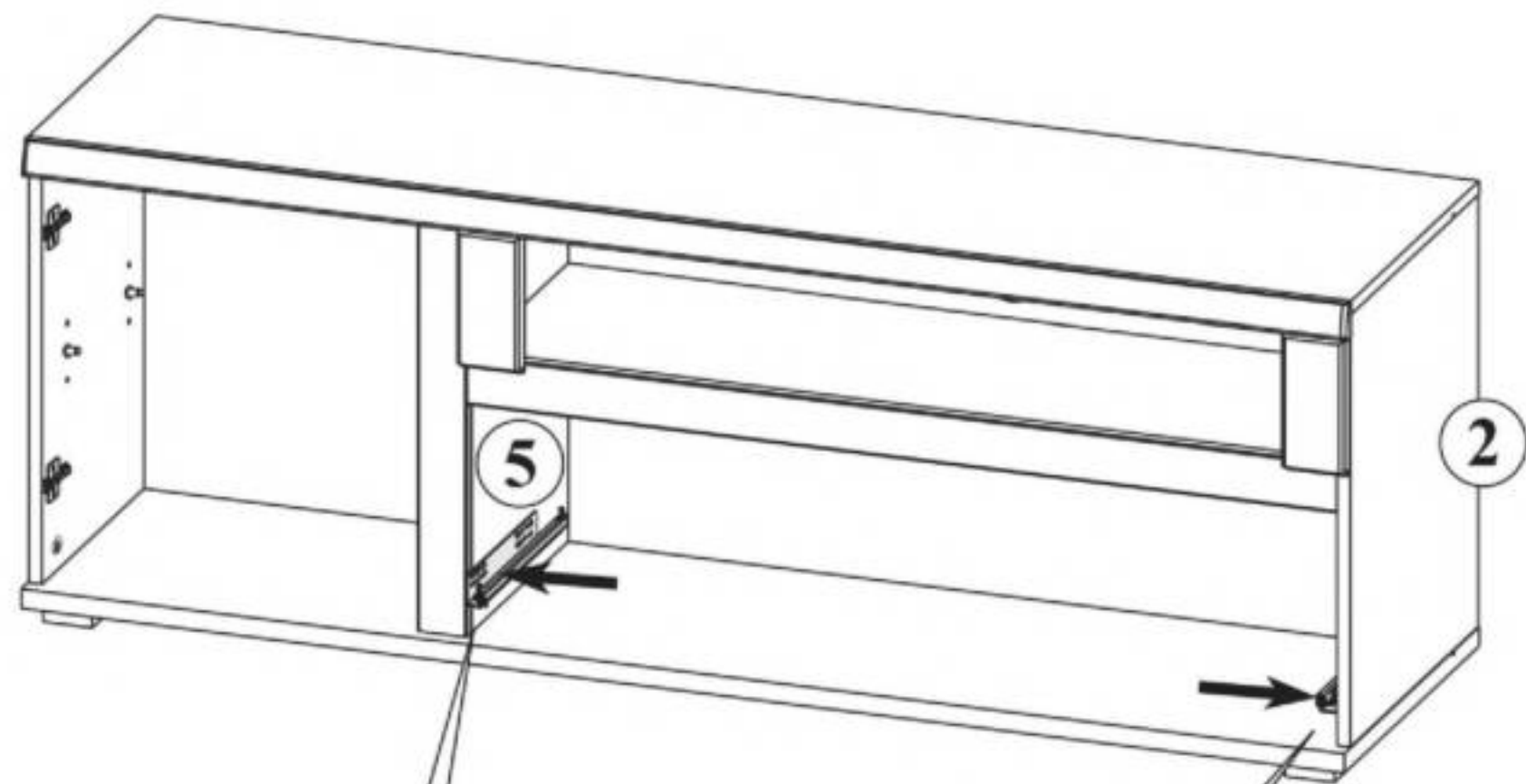
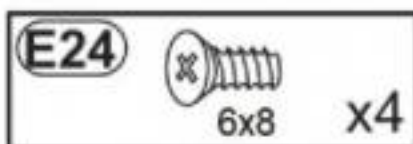
A=B ☺ ✓



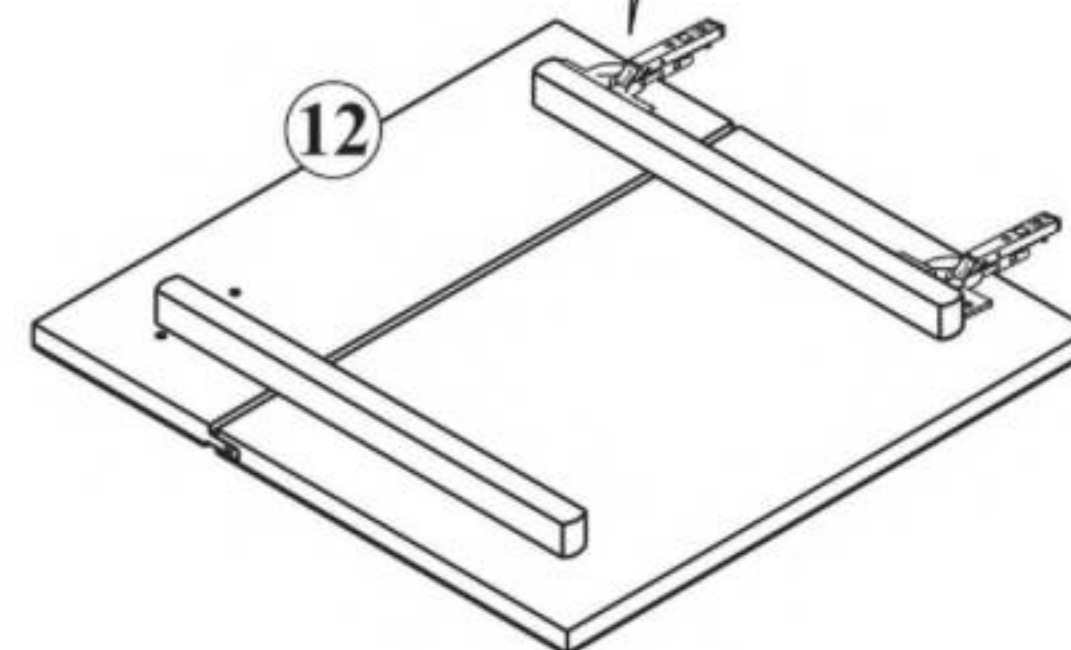
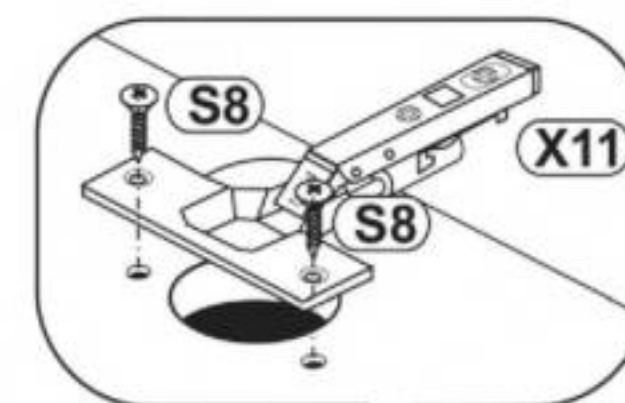
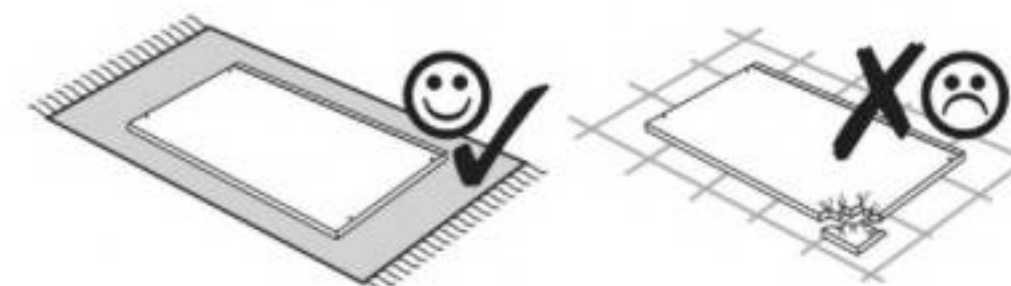
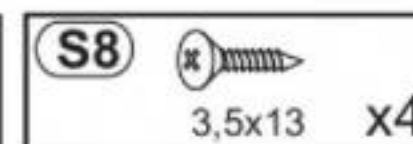
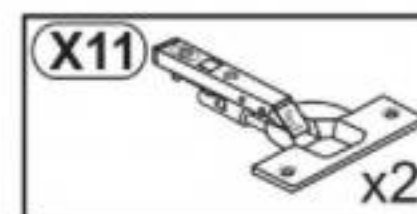
14



15



16



17

M2
φ15x10mm x4

T1 x4

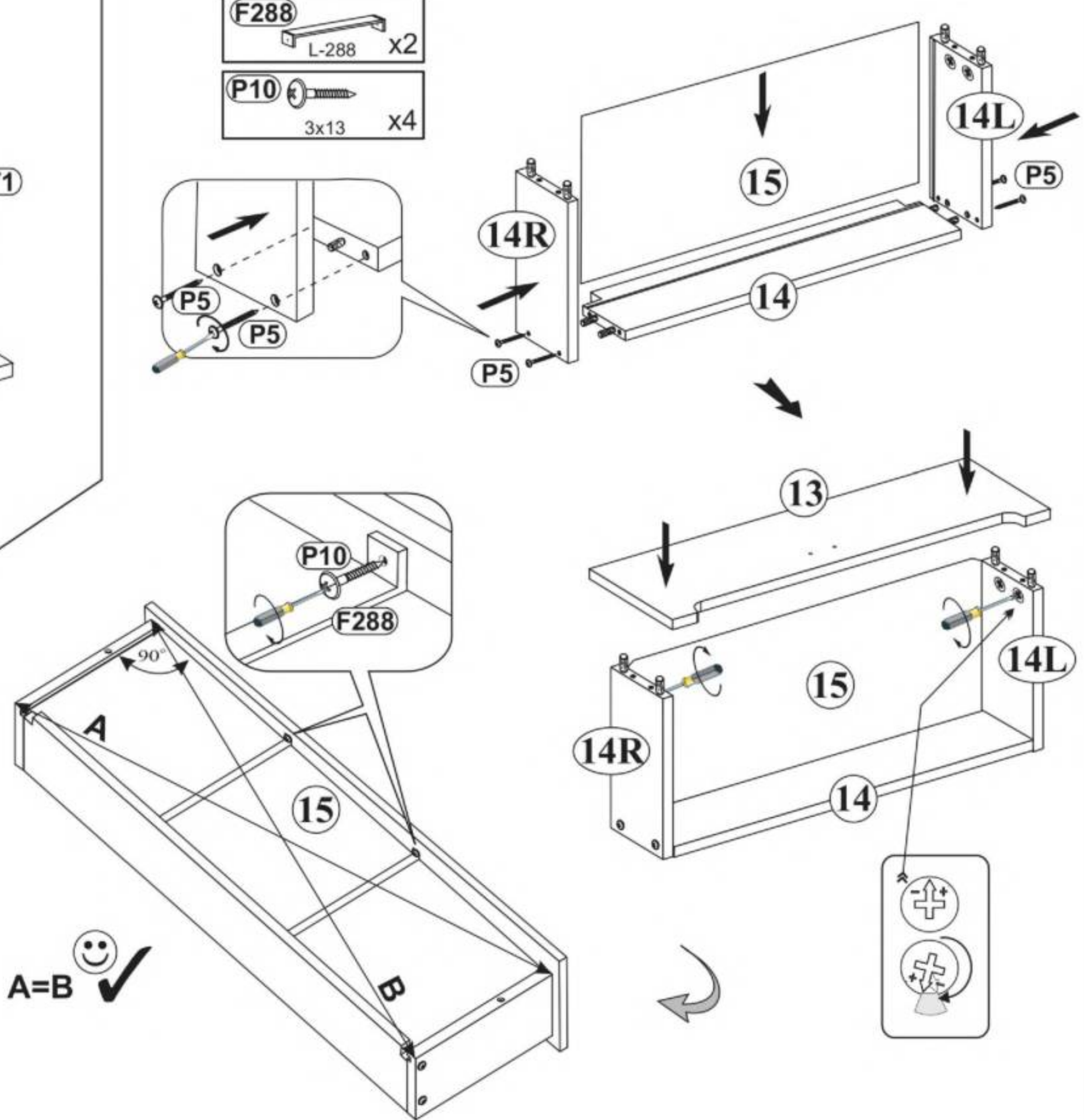
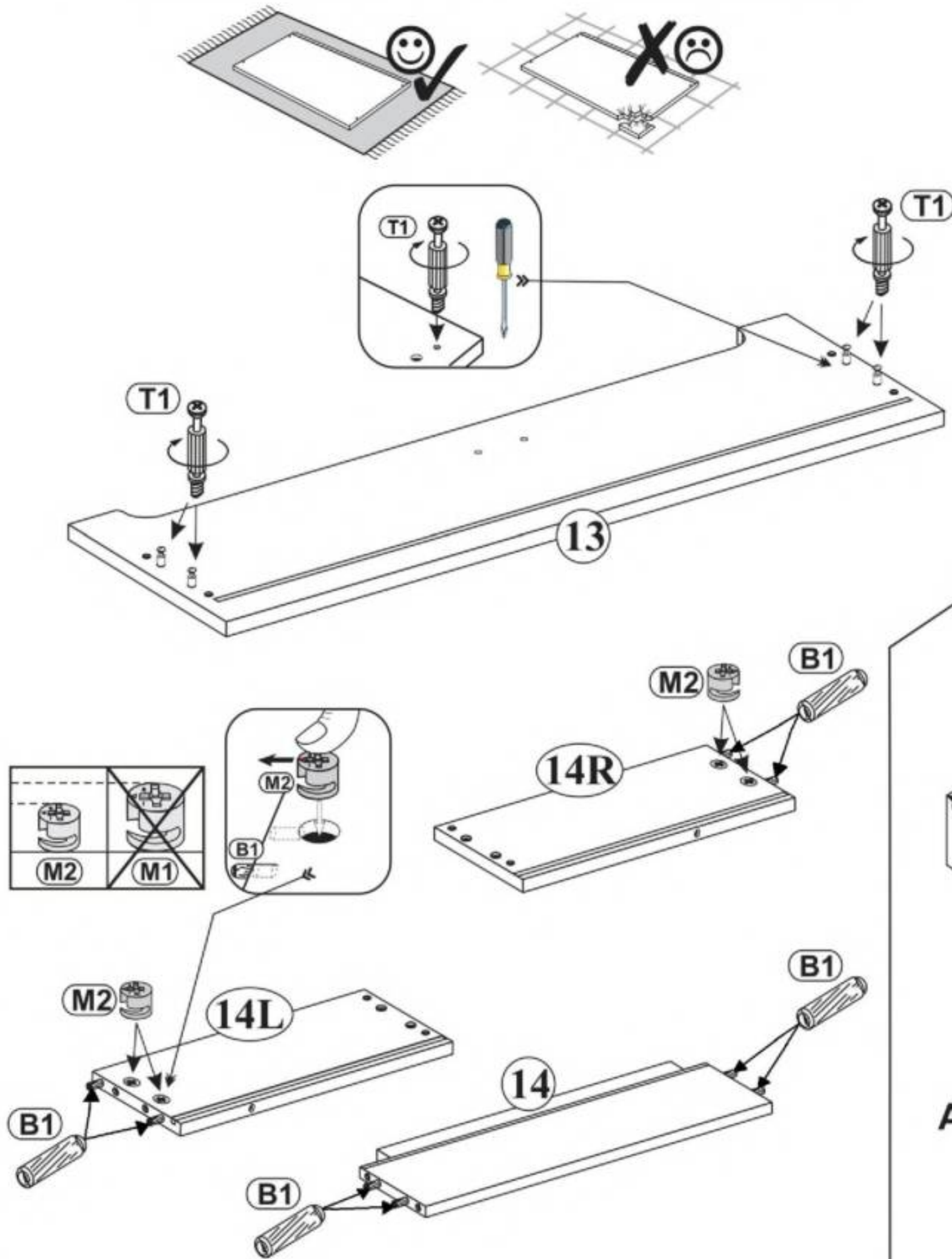
B1 φ8x30 x8

18

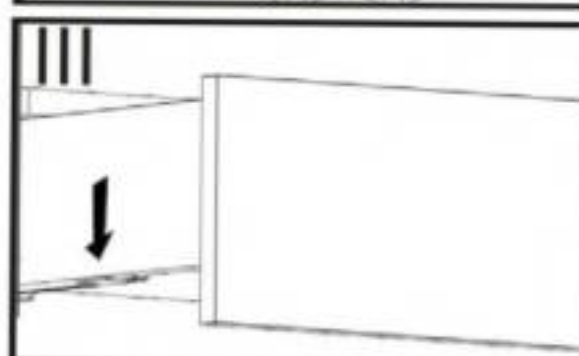
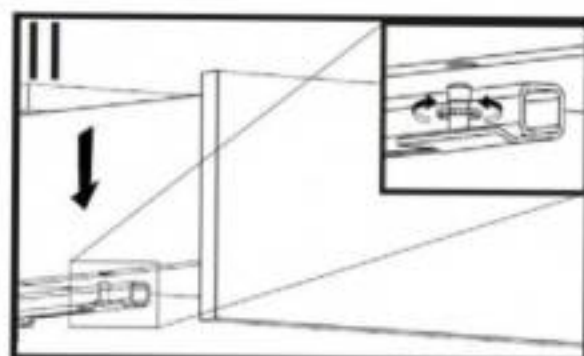
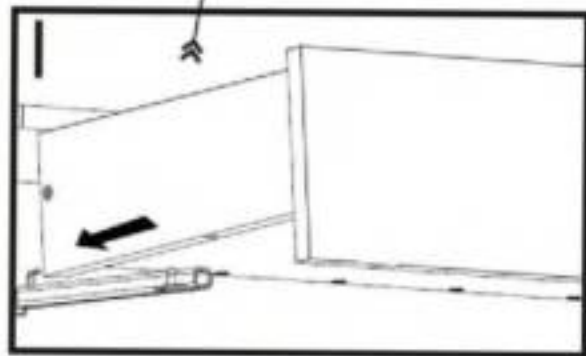
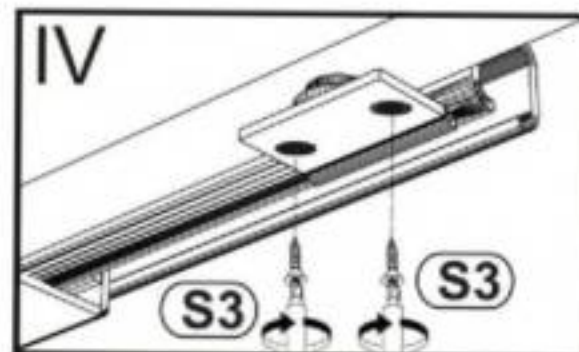
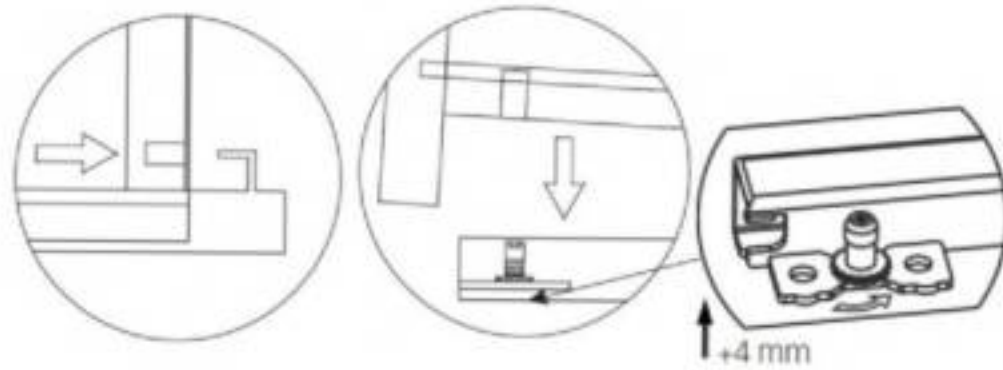
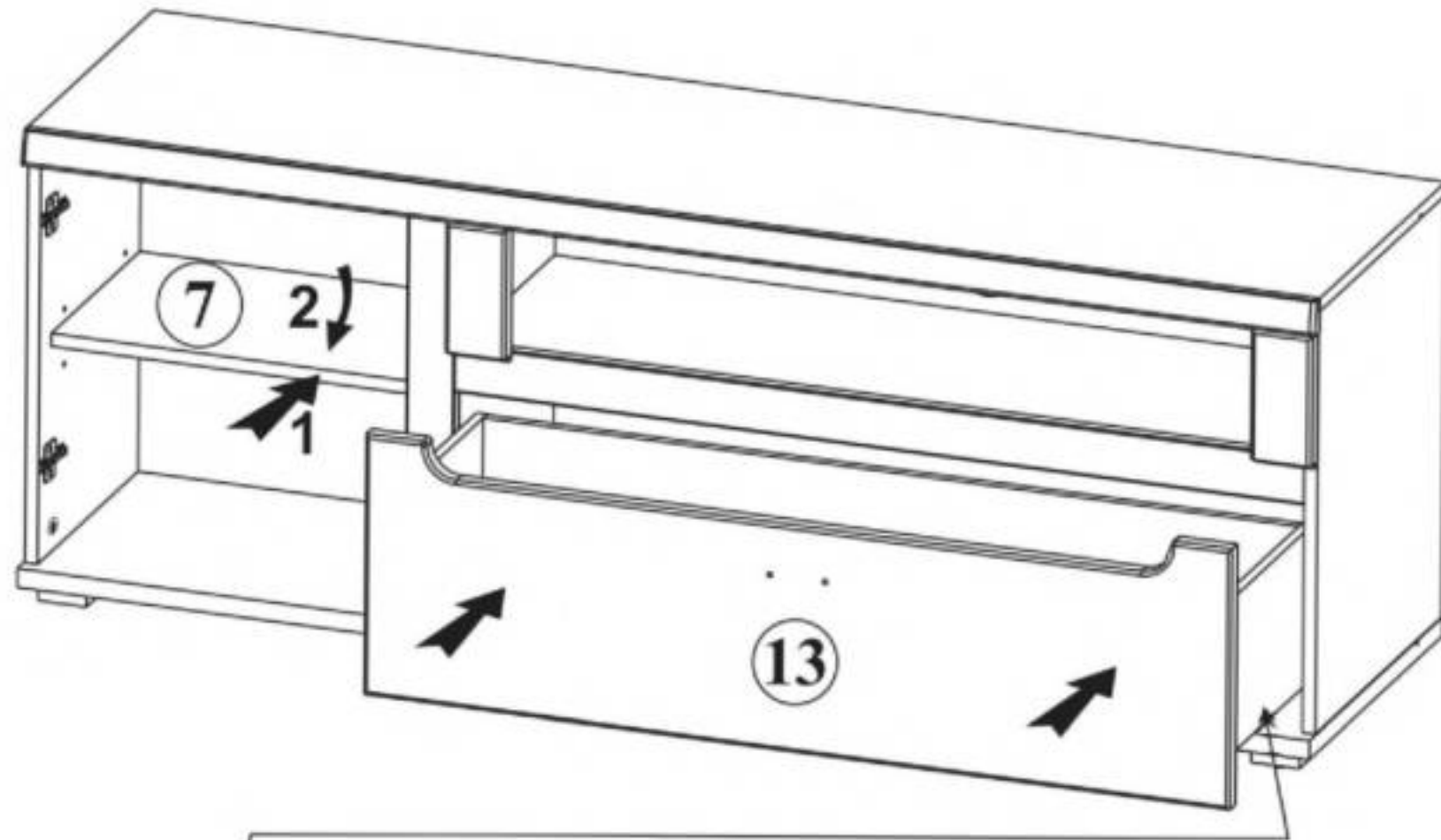
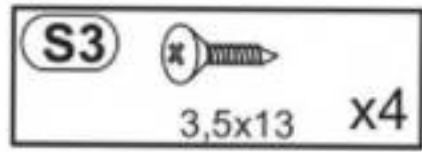
P5 4x30 x4

F288 L-288 x2

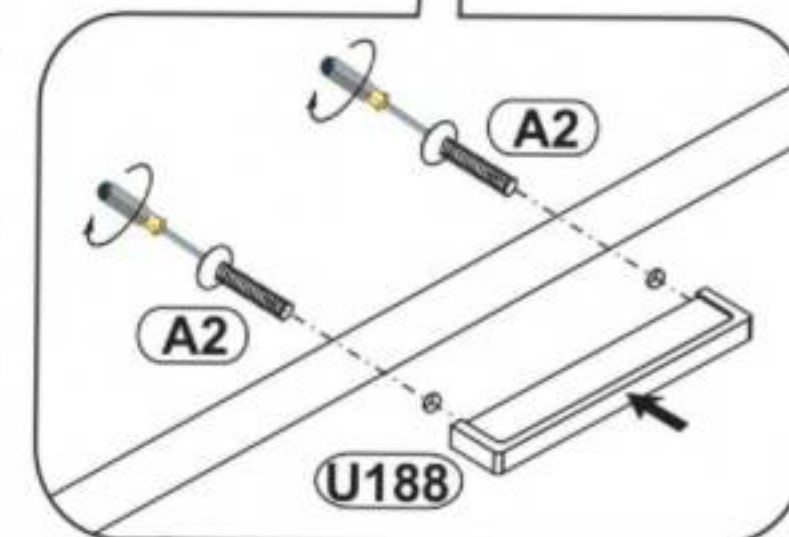
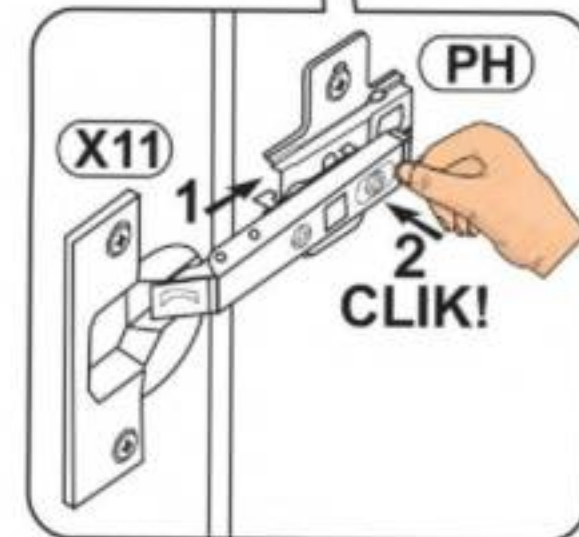
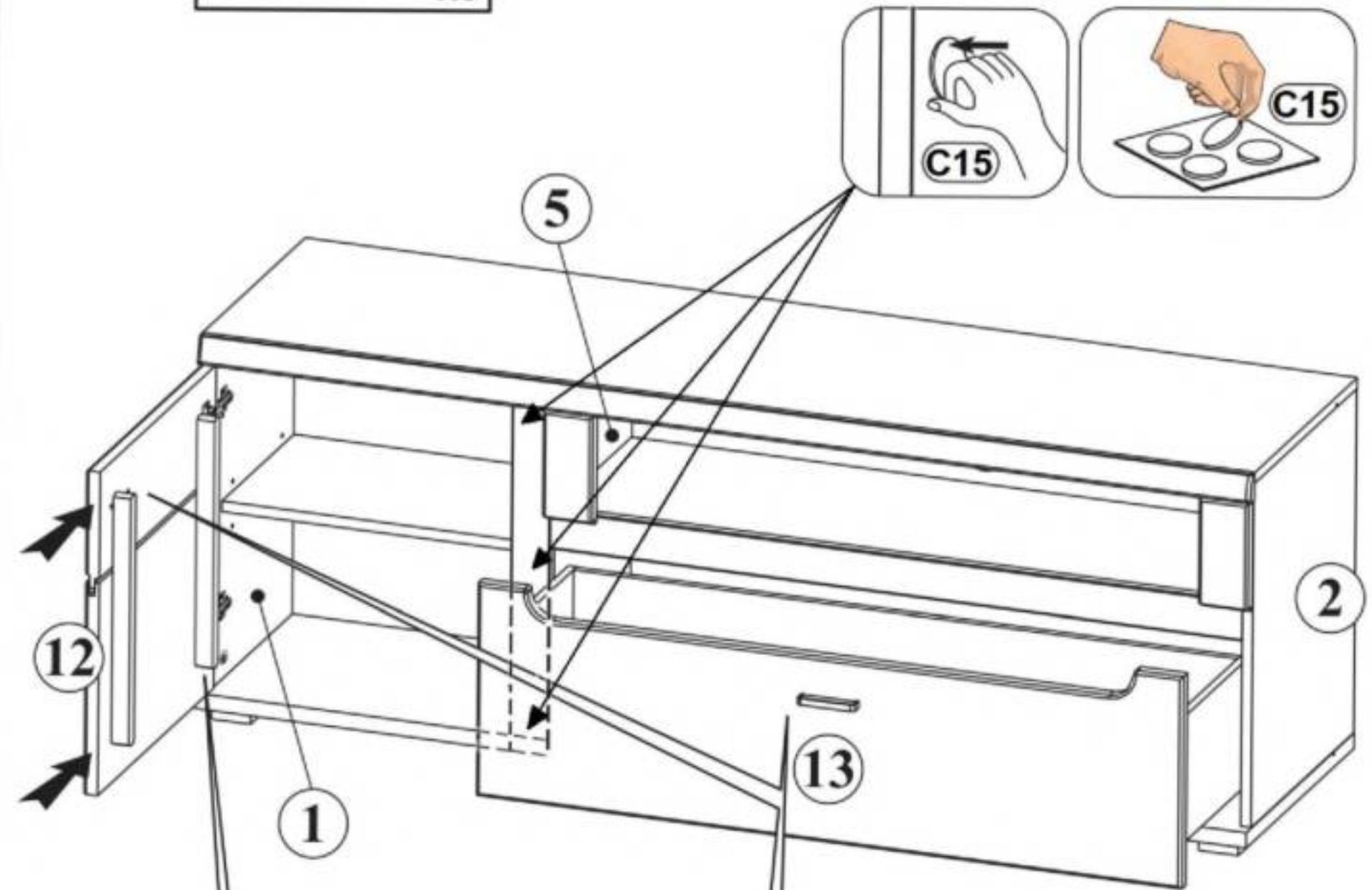
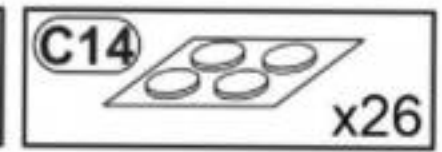
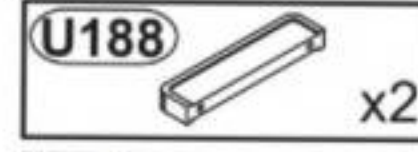
P10 3x13 x4



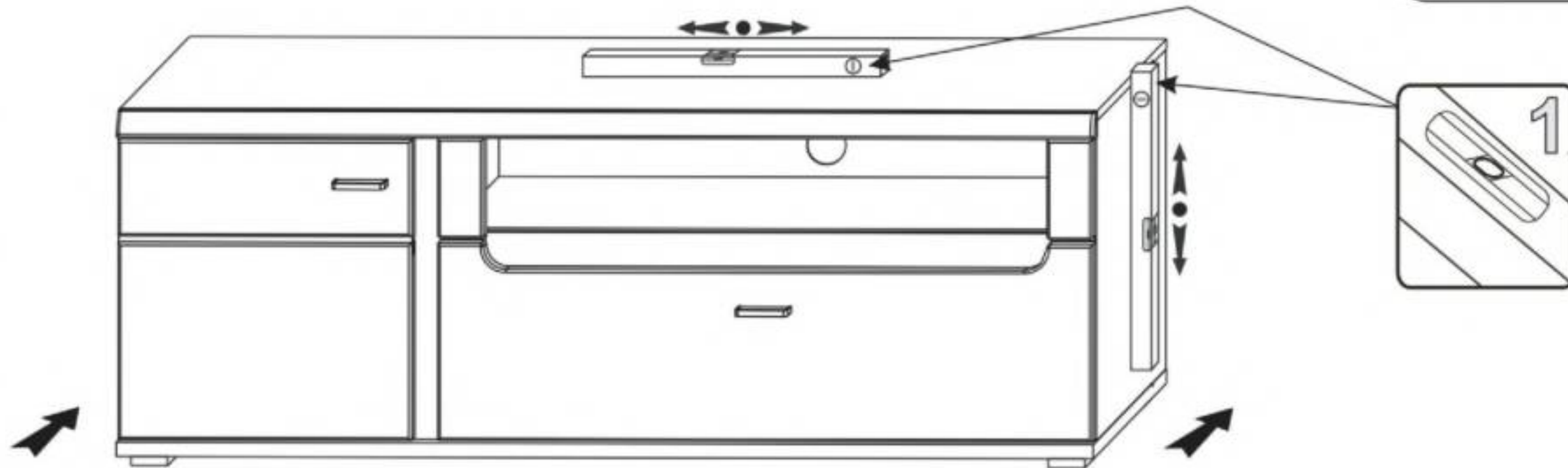
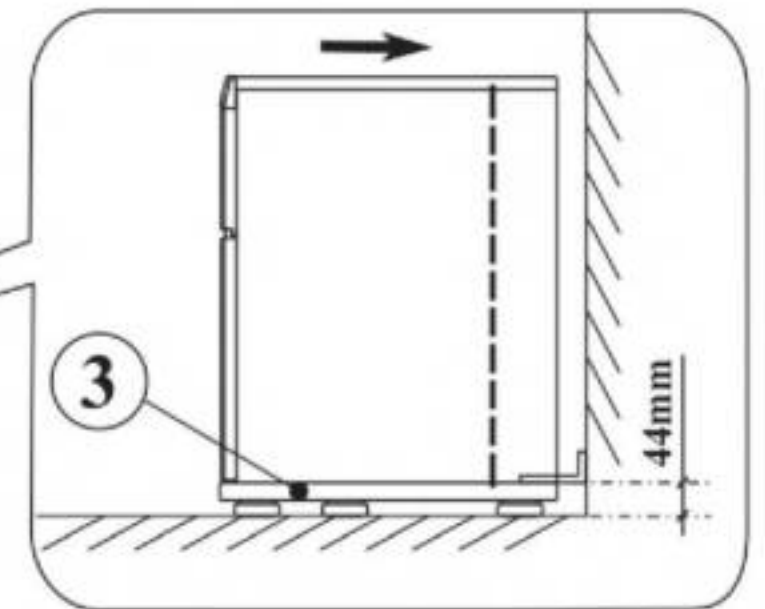
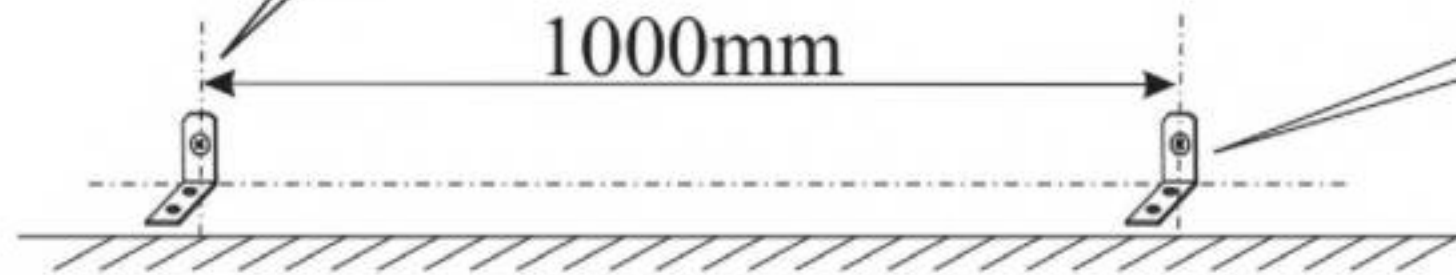
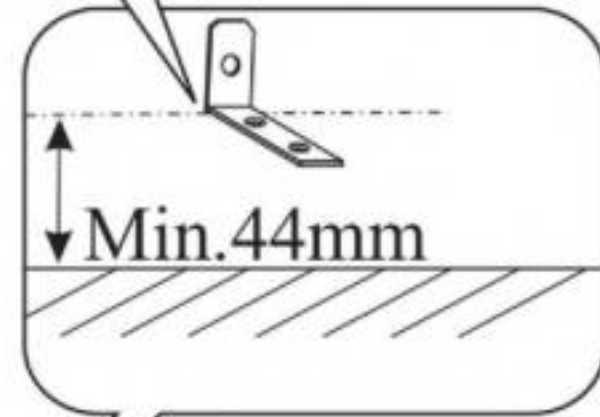
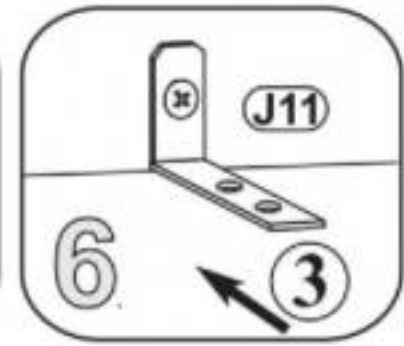
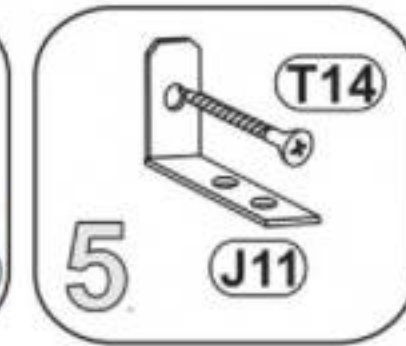
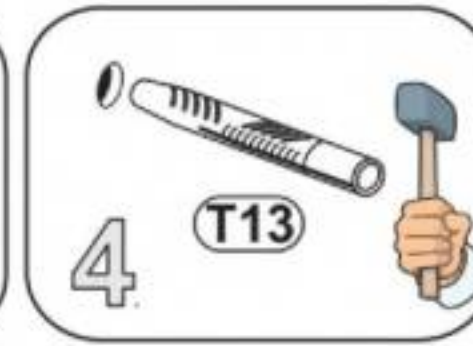
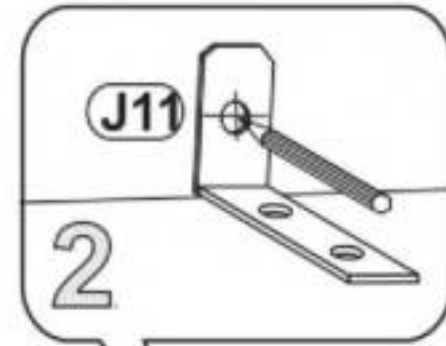
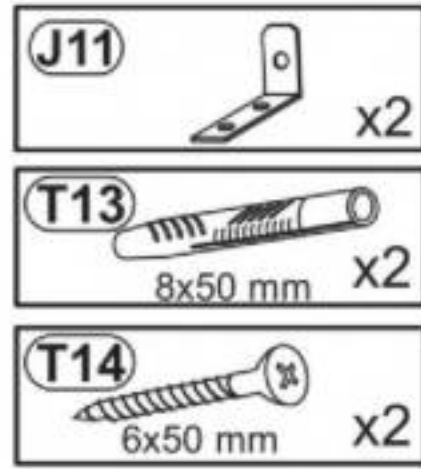
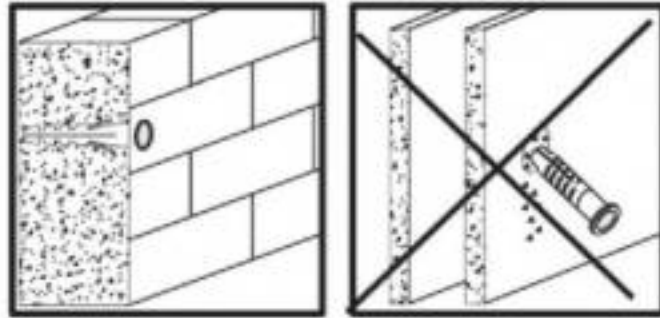
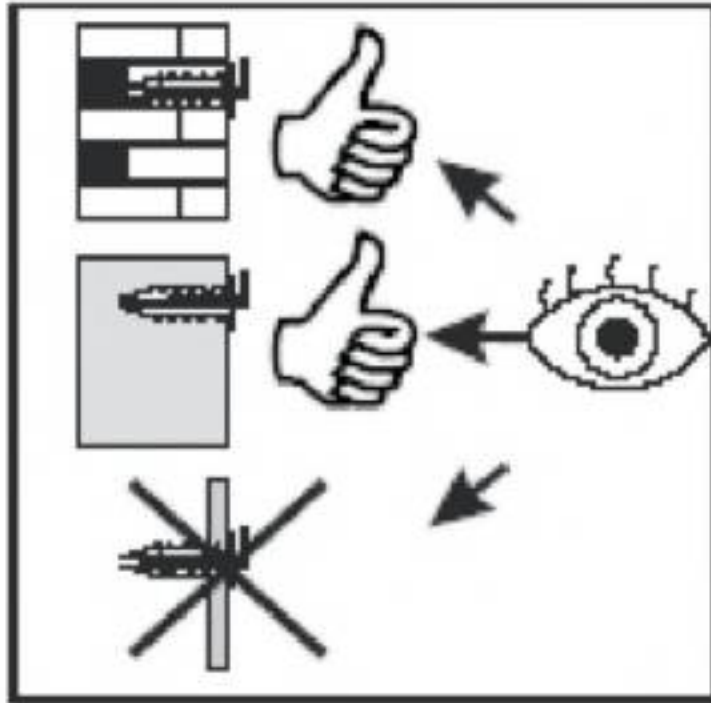
19



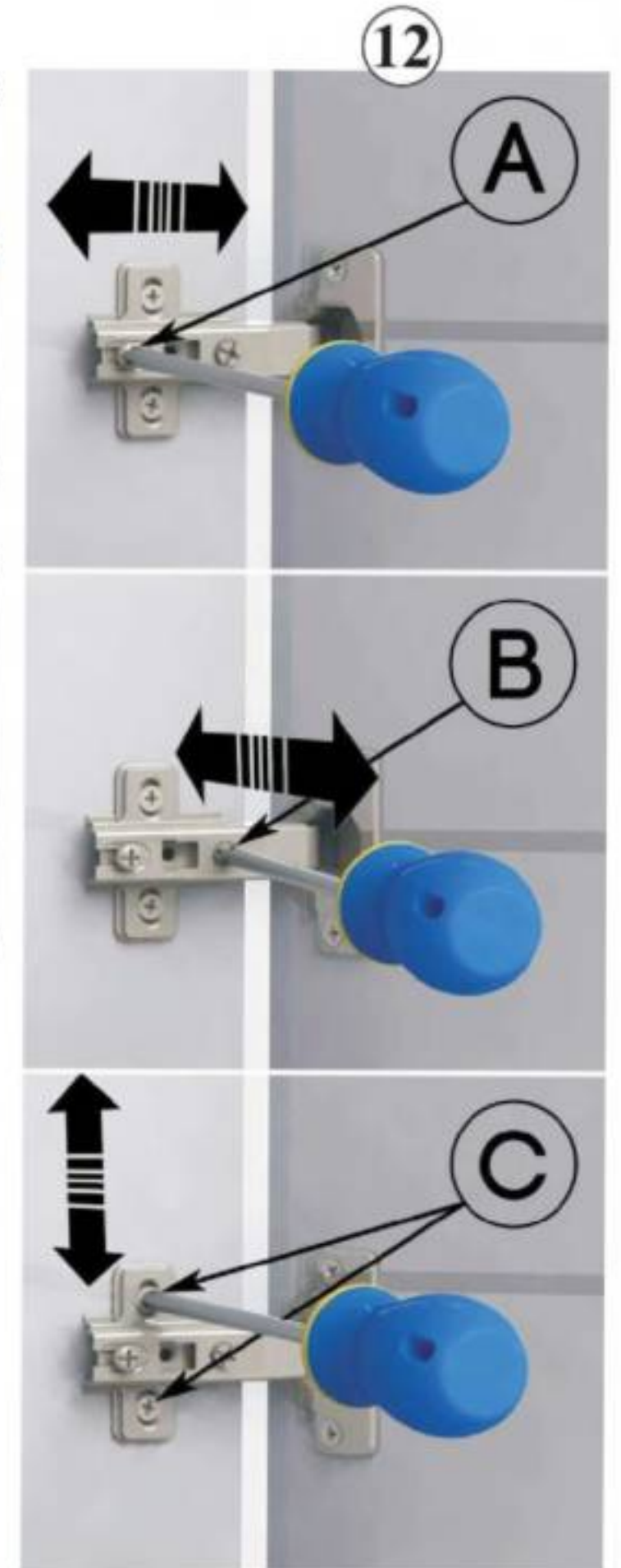
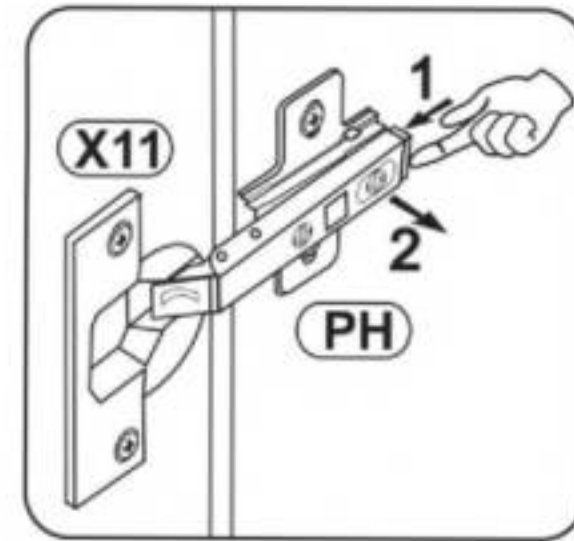
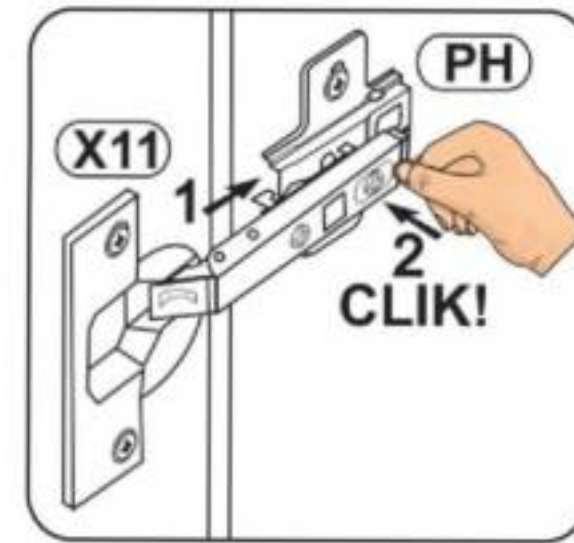
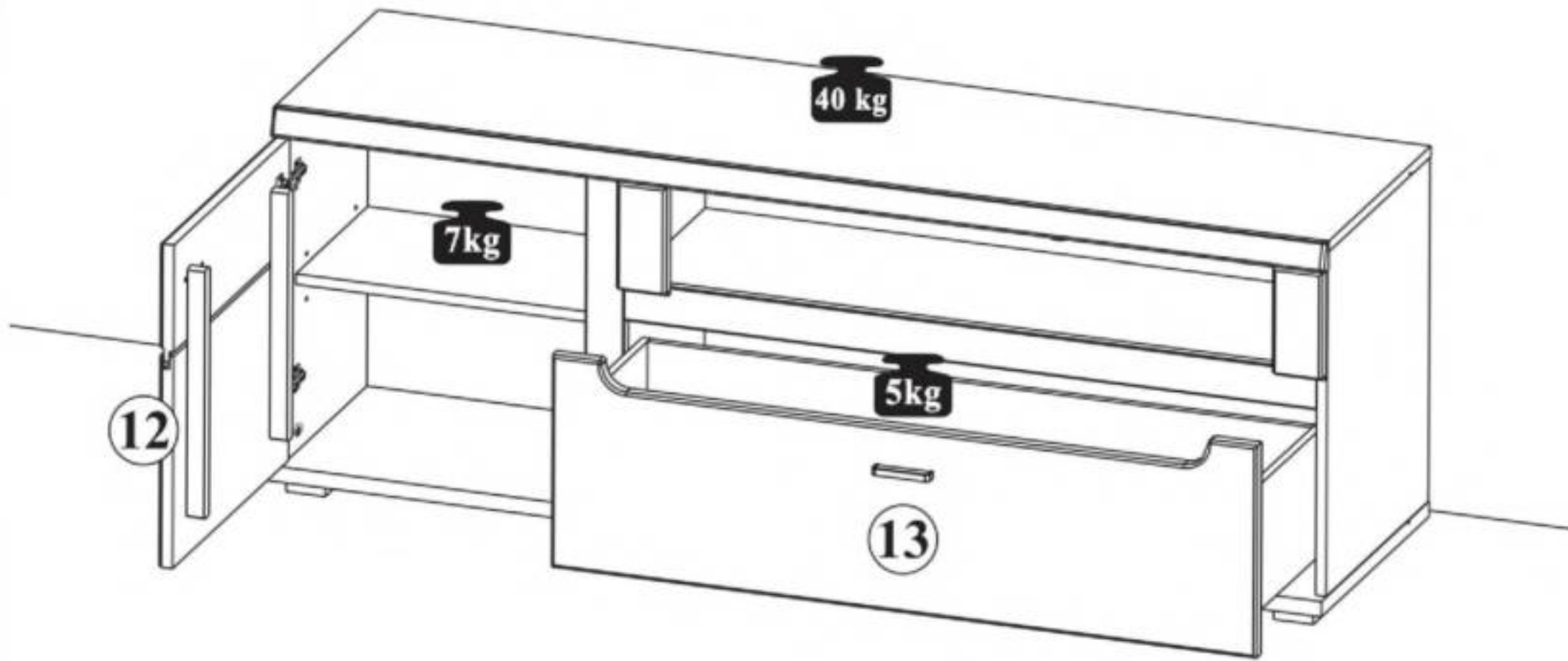
20



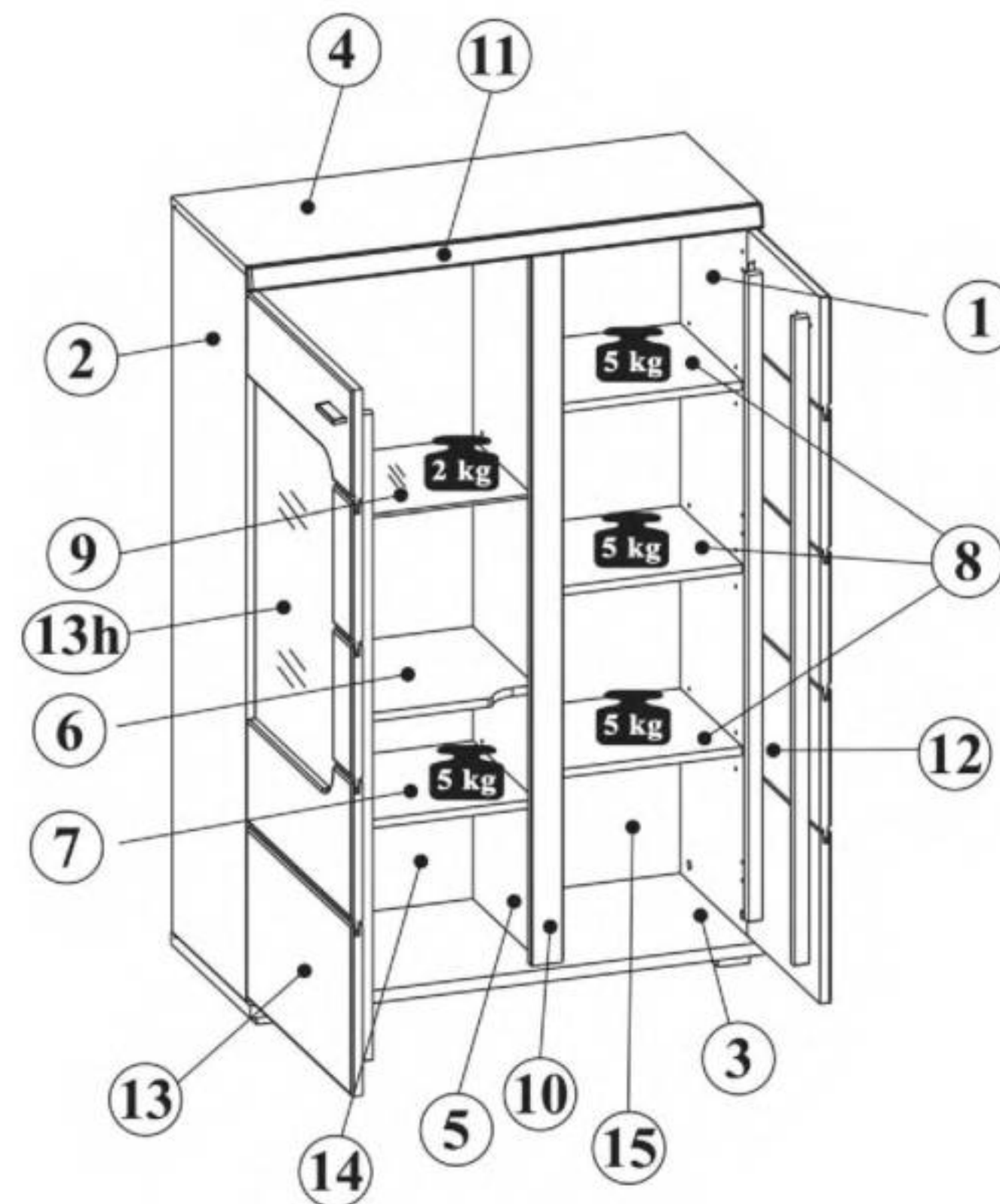
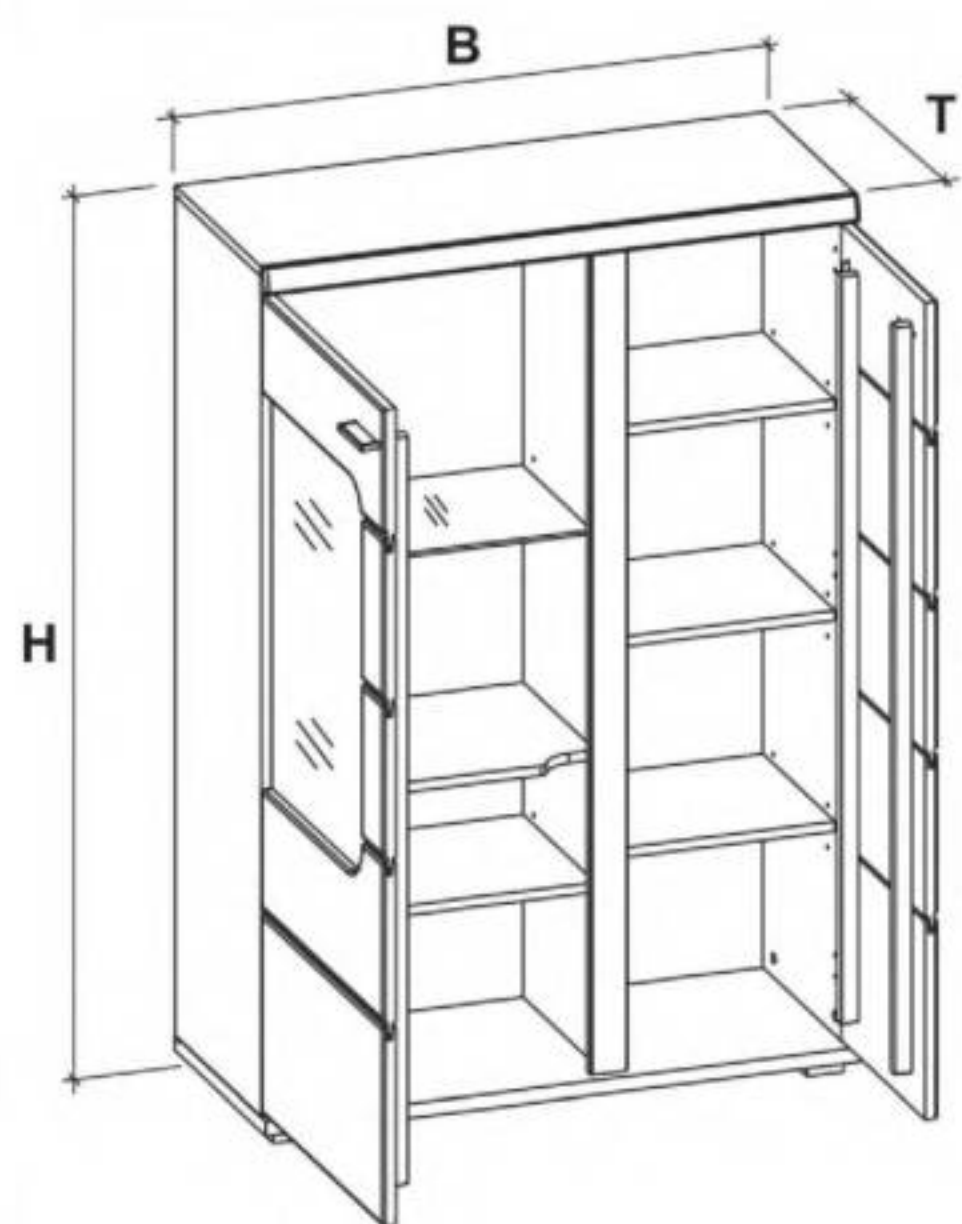
21



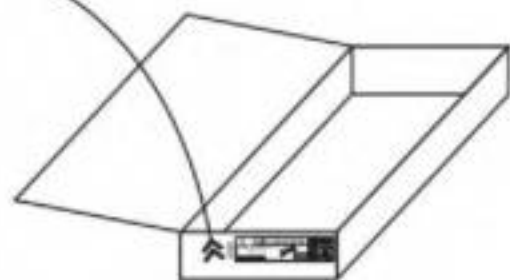
22




B - 900mm
H - 1330mm
T - 380mm





1	1273	358	1	2
2	1273	358	1	1
3	900	380	1	1
4	900	358	1	2
5	1273	322	1	2
6	504	335	1	1
7	504	300	1	1
8	345	300	3	1
9	503	290	1	1
10	1272	55	1	2
11	902	40	1	1
12	1242	350	1	1
13	1242	506	1	2
13h	658	442	1	2
14	1284	515	1	2
15	1284	359	1	2





NR 1

B1  ϕ 8x30 x20


M1  ϕ 15x12mm x22


T1  x22

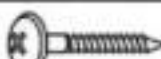
W1  x16


W13  4


NR 2

J23  x14


F1  x4


P2  3x20 x6


C14  x20

C15  x6


NR 3

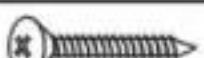
X11  x6

PH  x6


S8  3,5x13 x12


NR 4

N20  x5


S2  4x30 x20


NR 5

U188  x2

A2  M4x25 x4


NR 6


O21  MAX 2,4W x1


S3S  x1

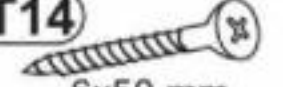
LED-Beleuchtung:
Zeta S 3S

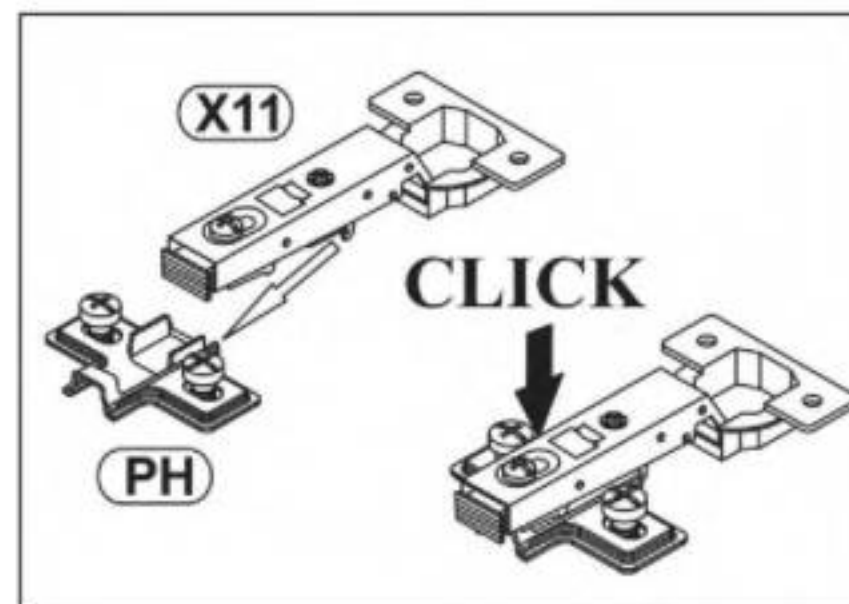
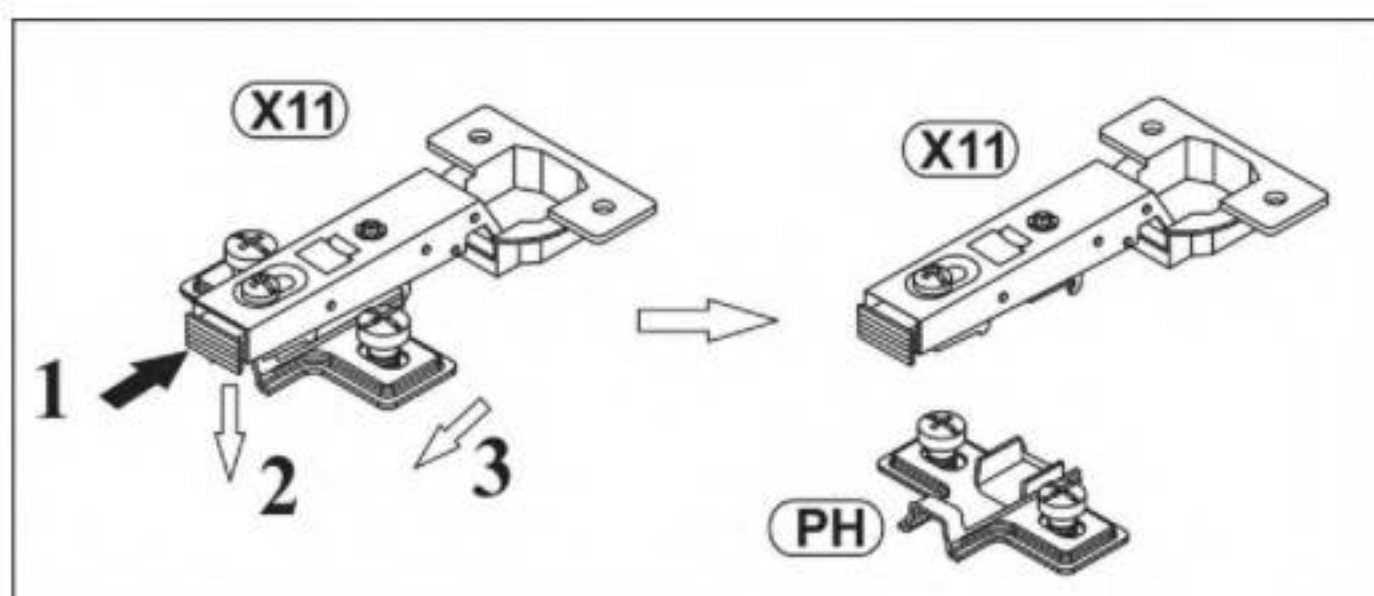
NR 7

J11  x1

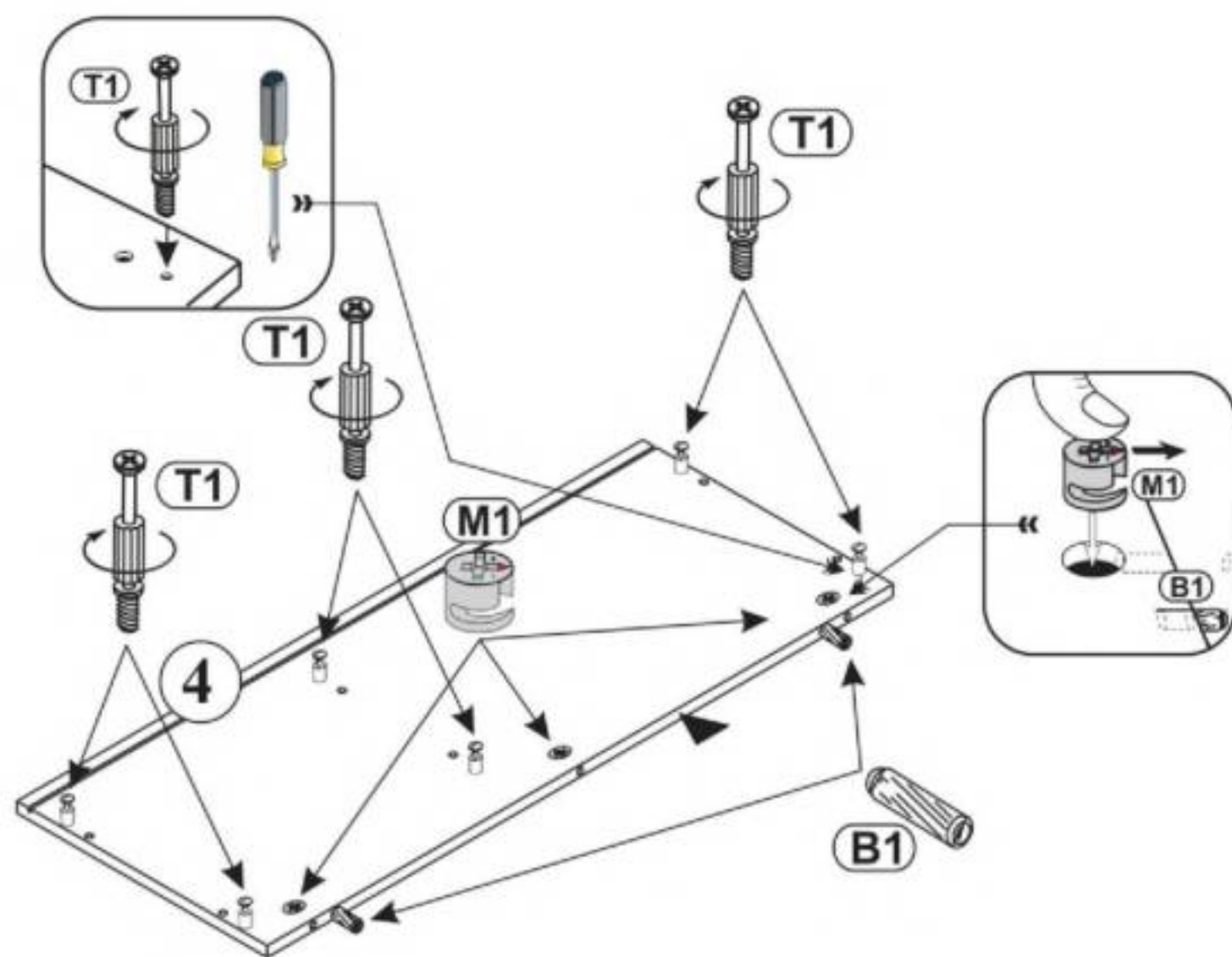
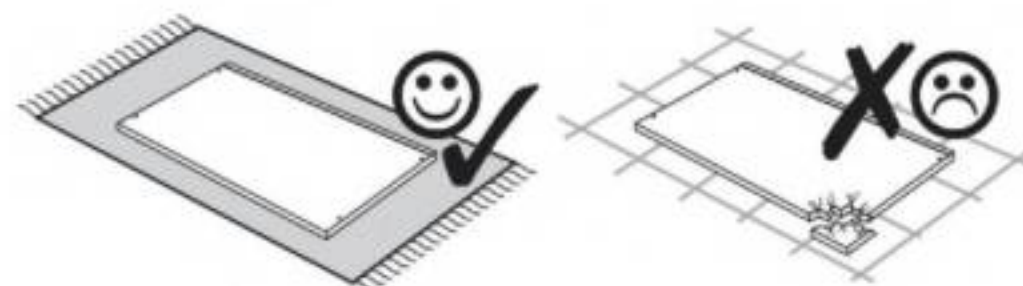
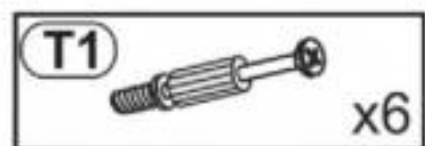
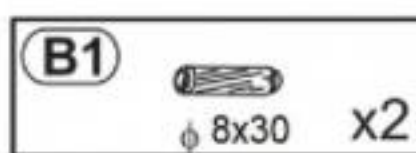
P13  3,5x13 x2

T13  8x50 mm x1

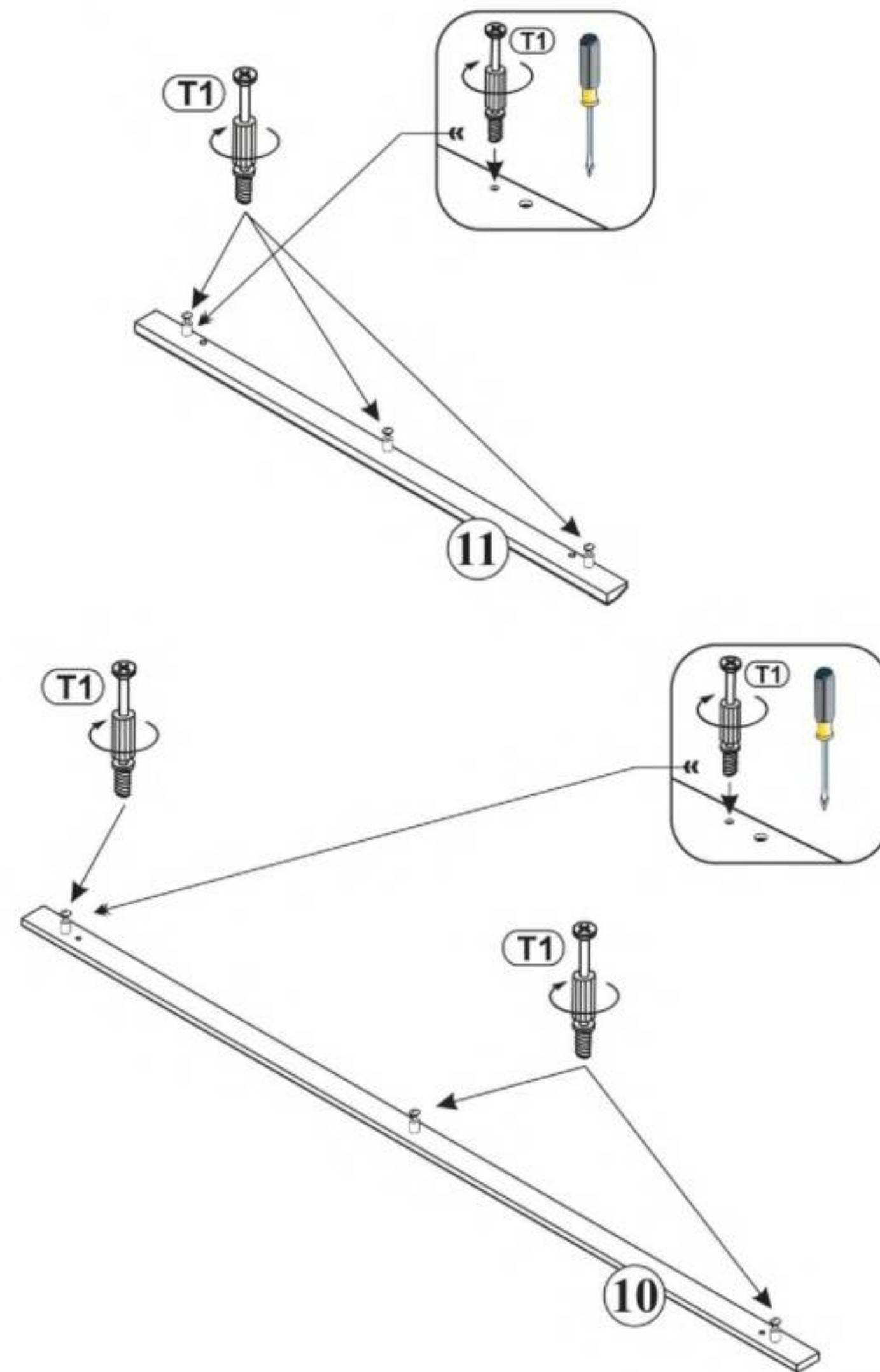
T14  6x50 mm x1



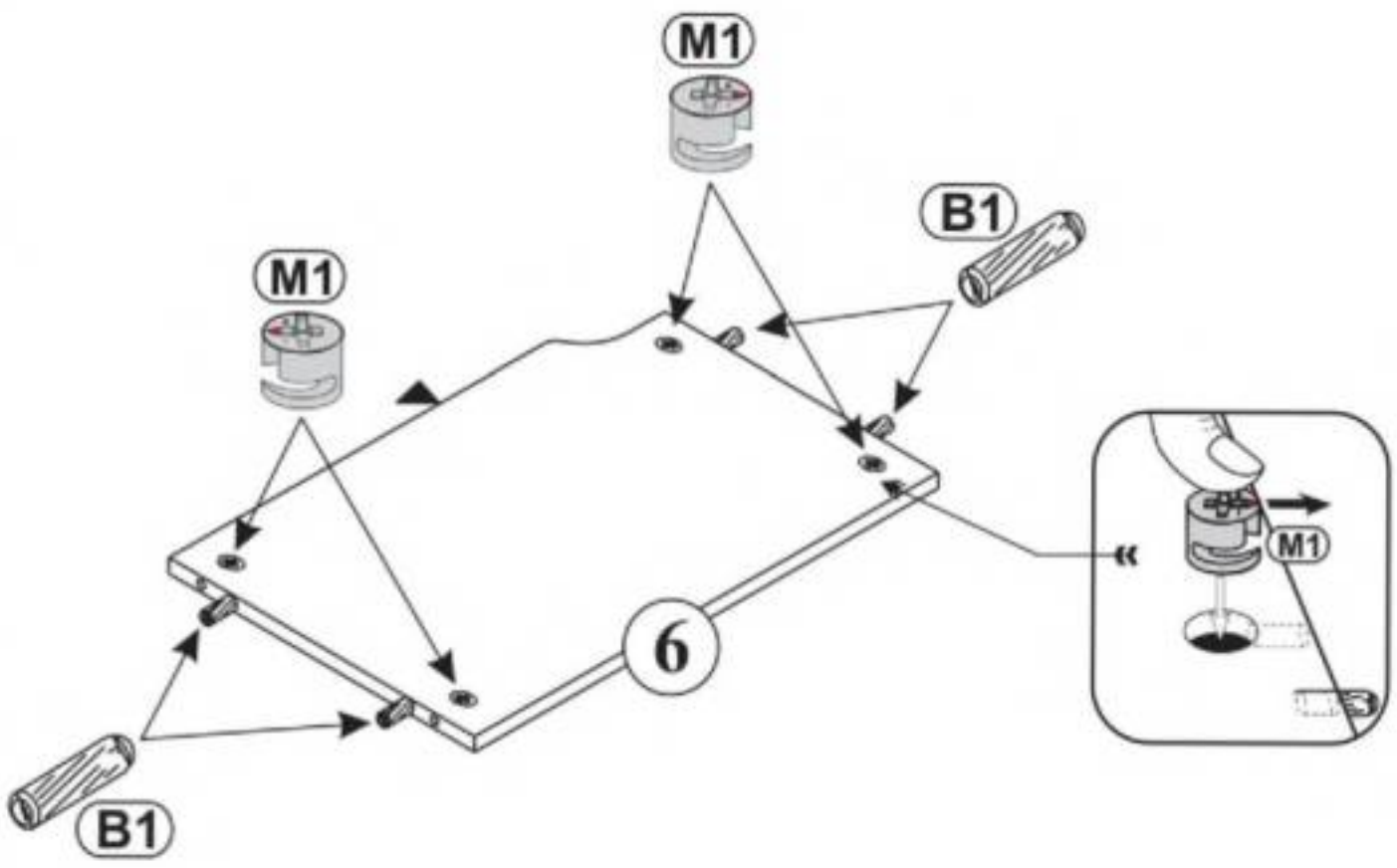
1



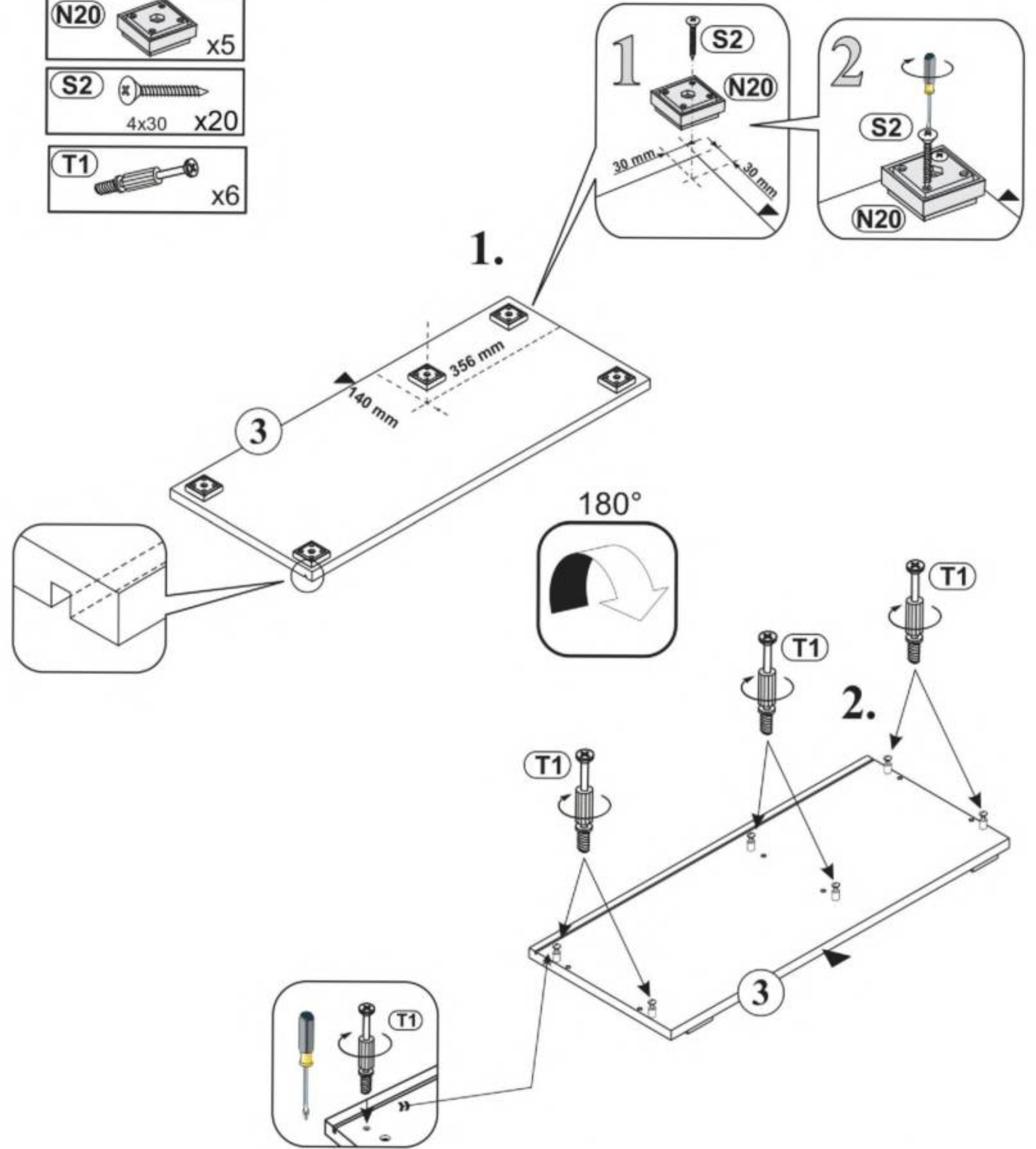
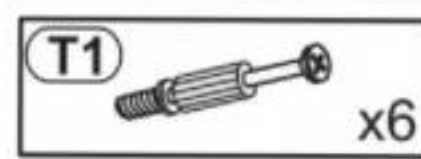
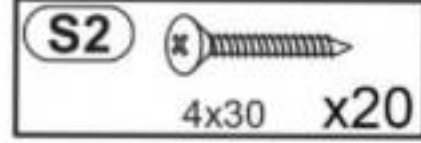
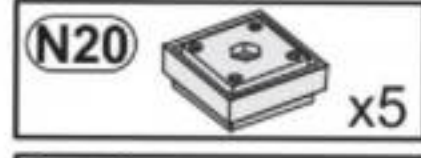
2



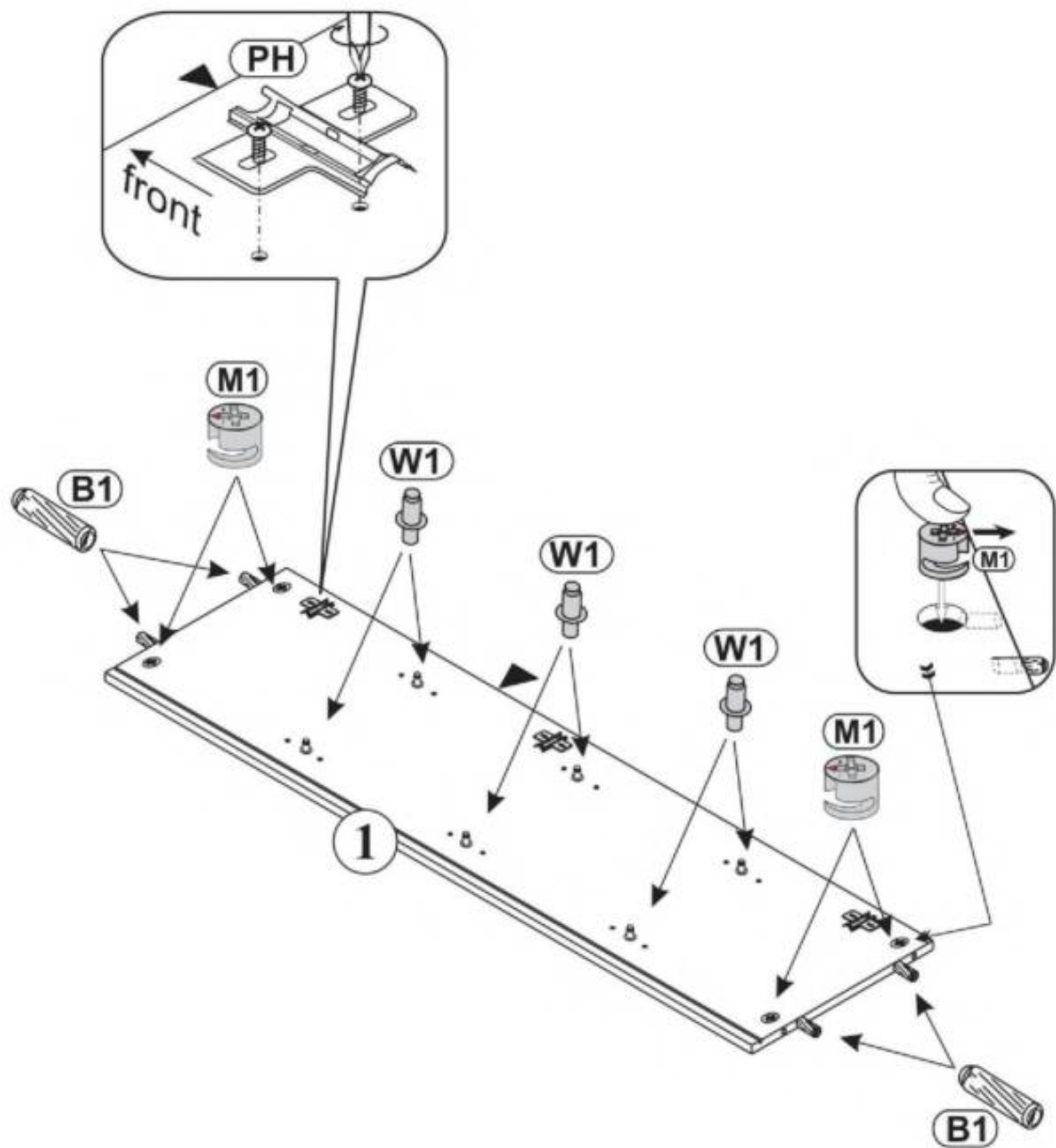
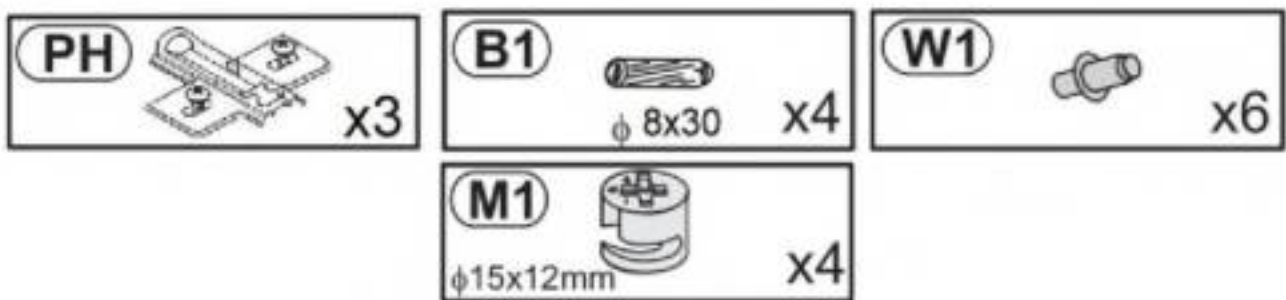
3



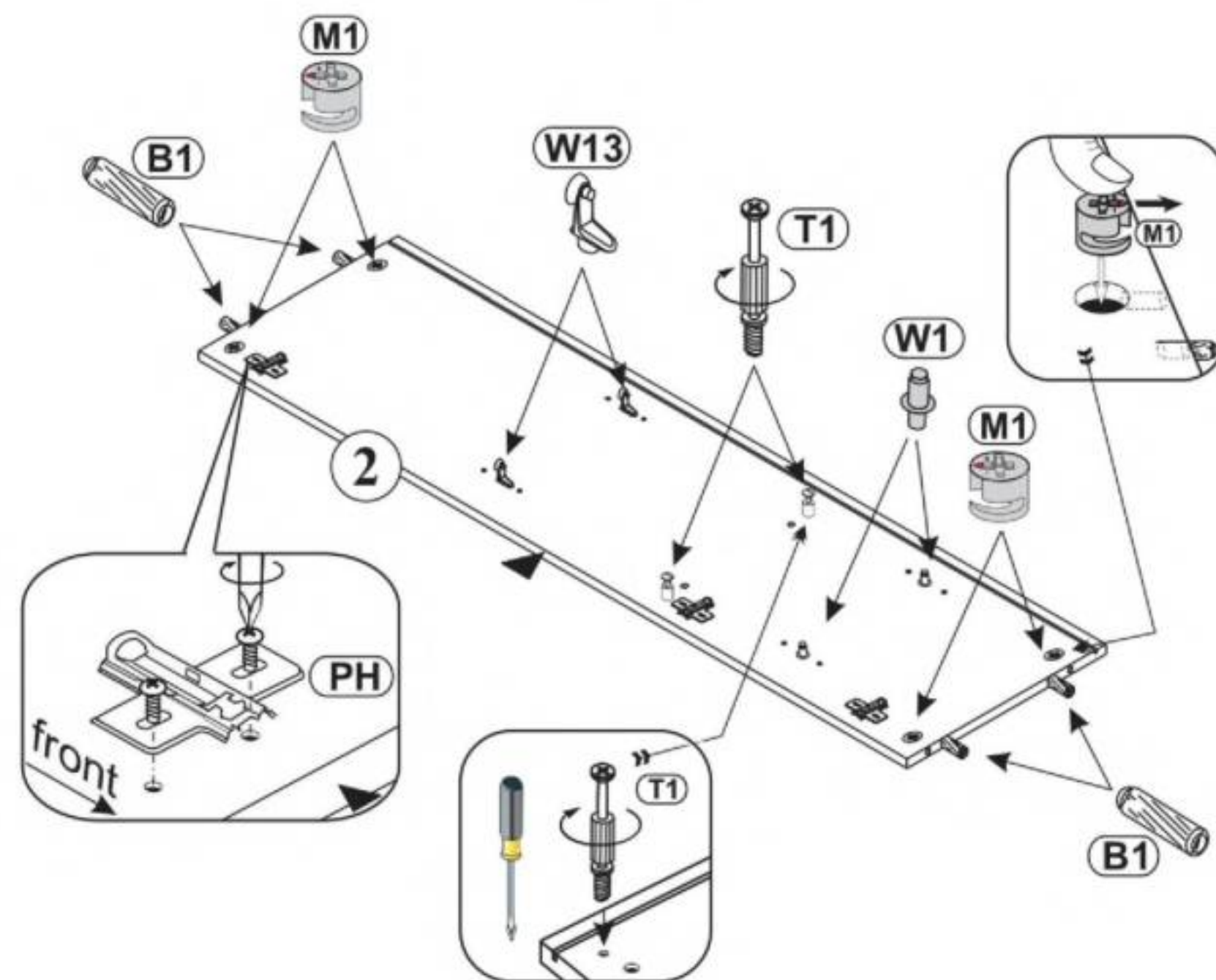
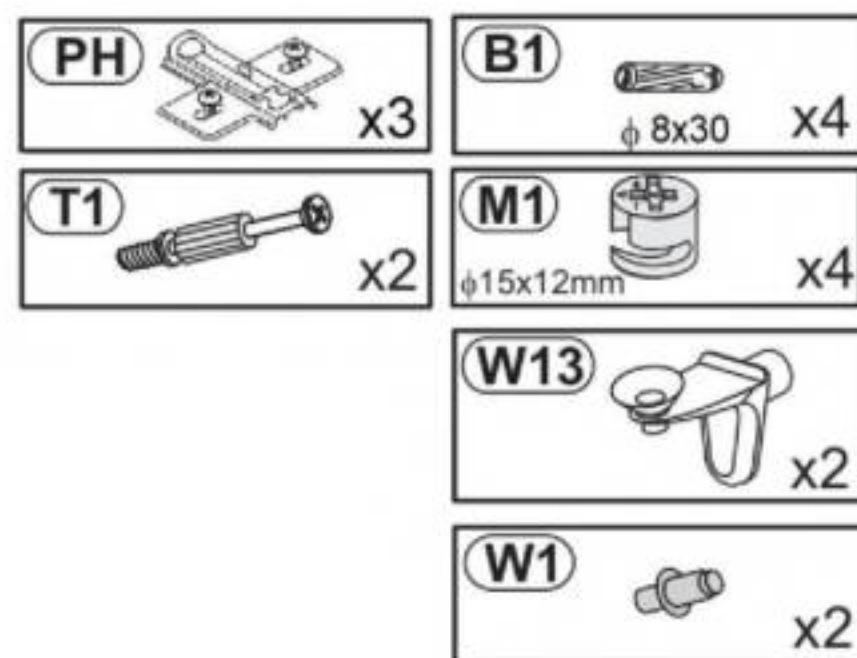
4



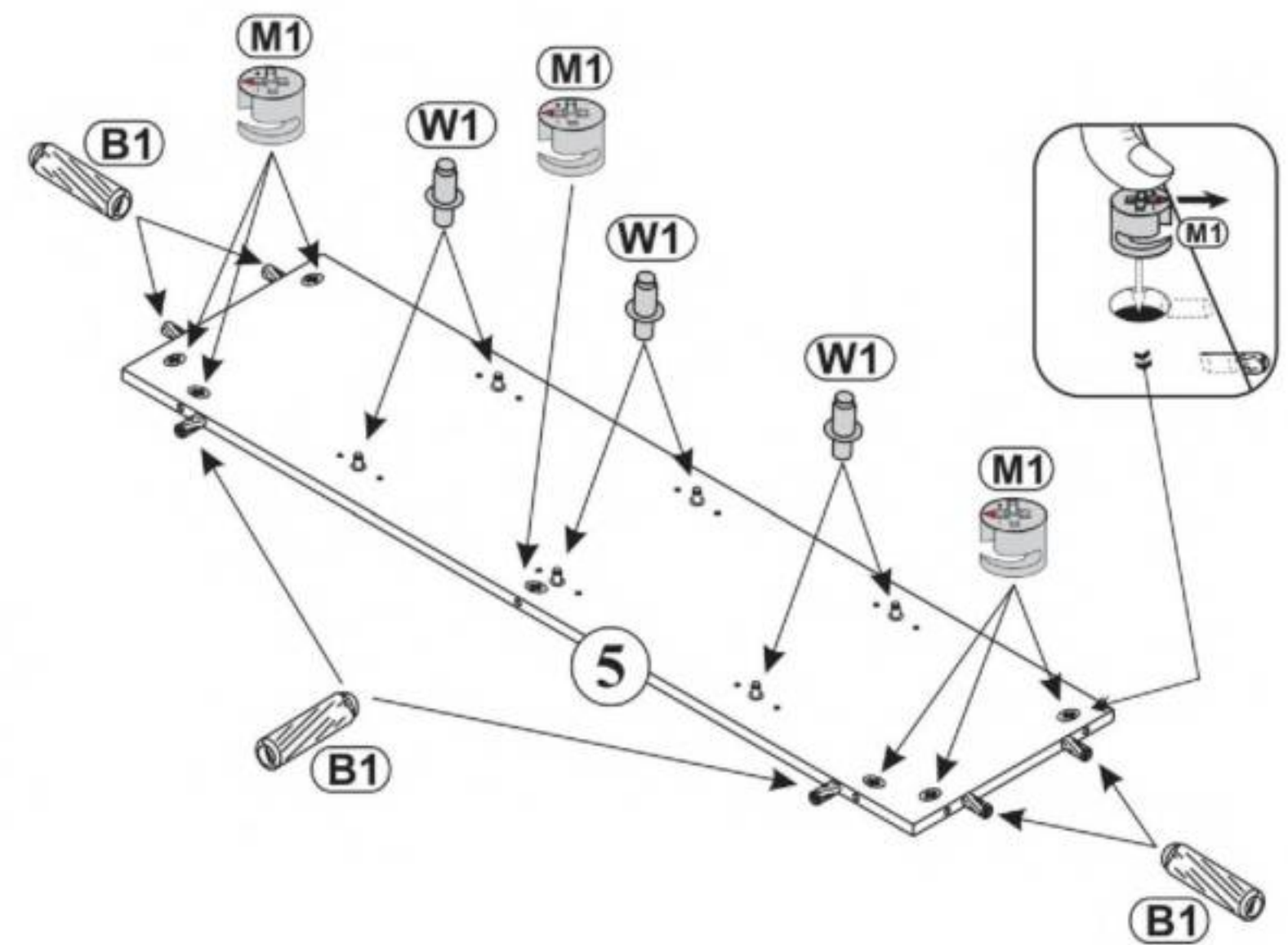
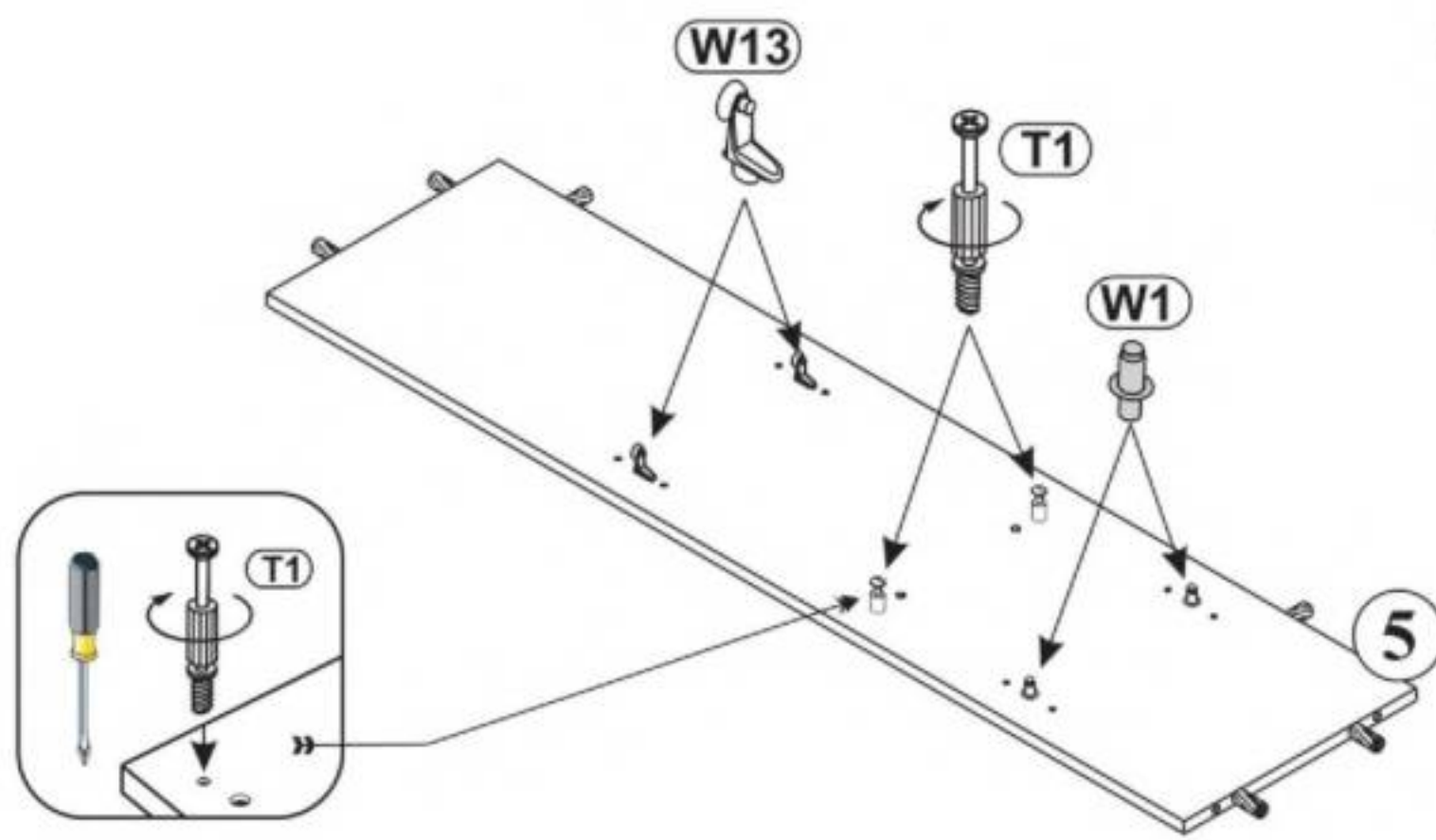
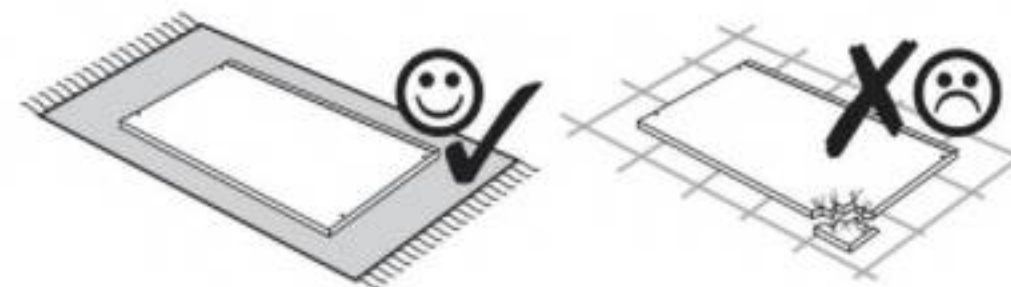
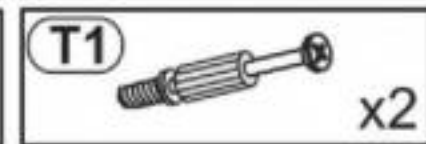
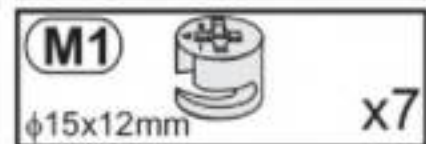
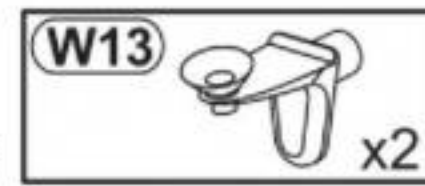
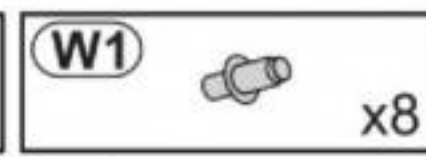
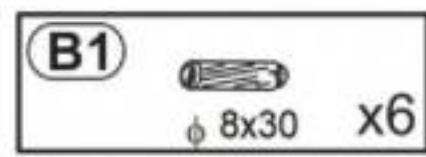
5



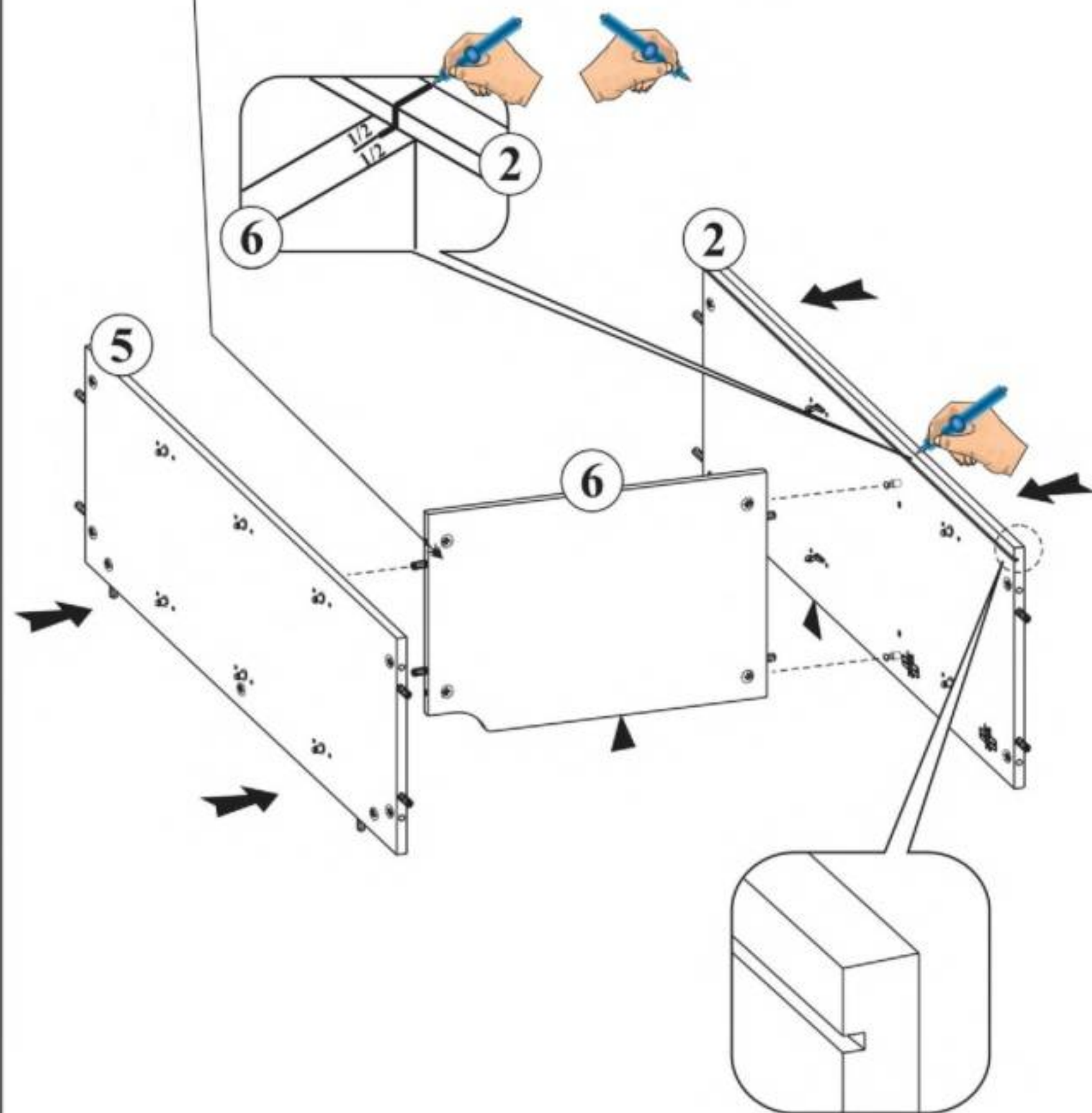
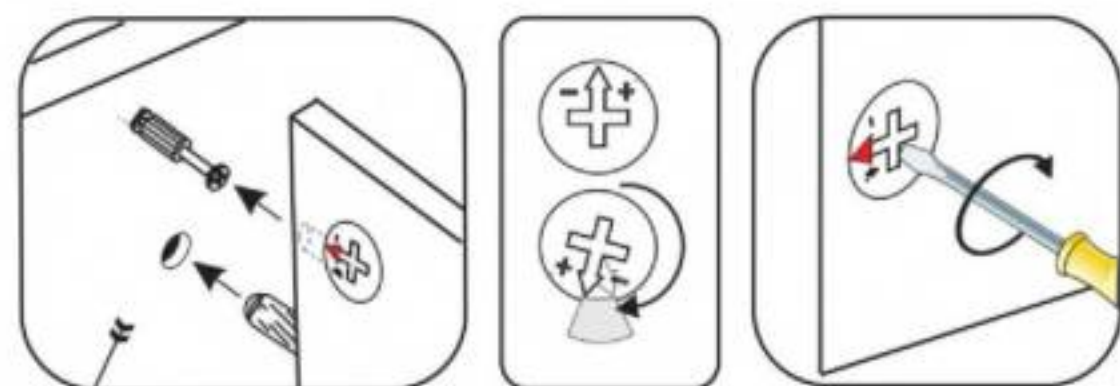
6



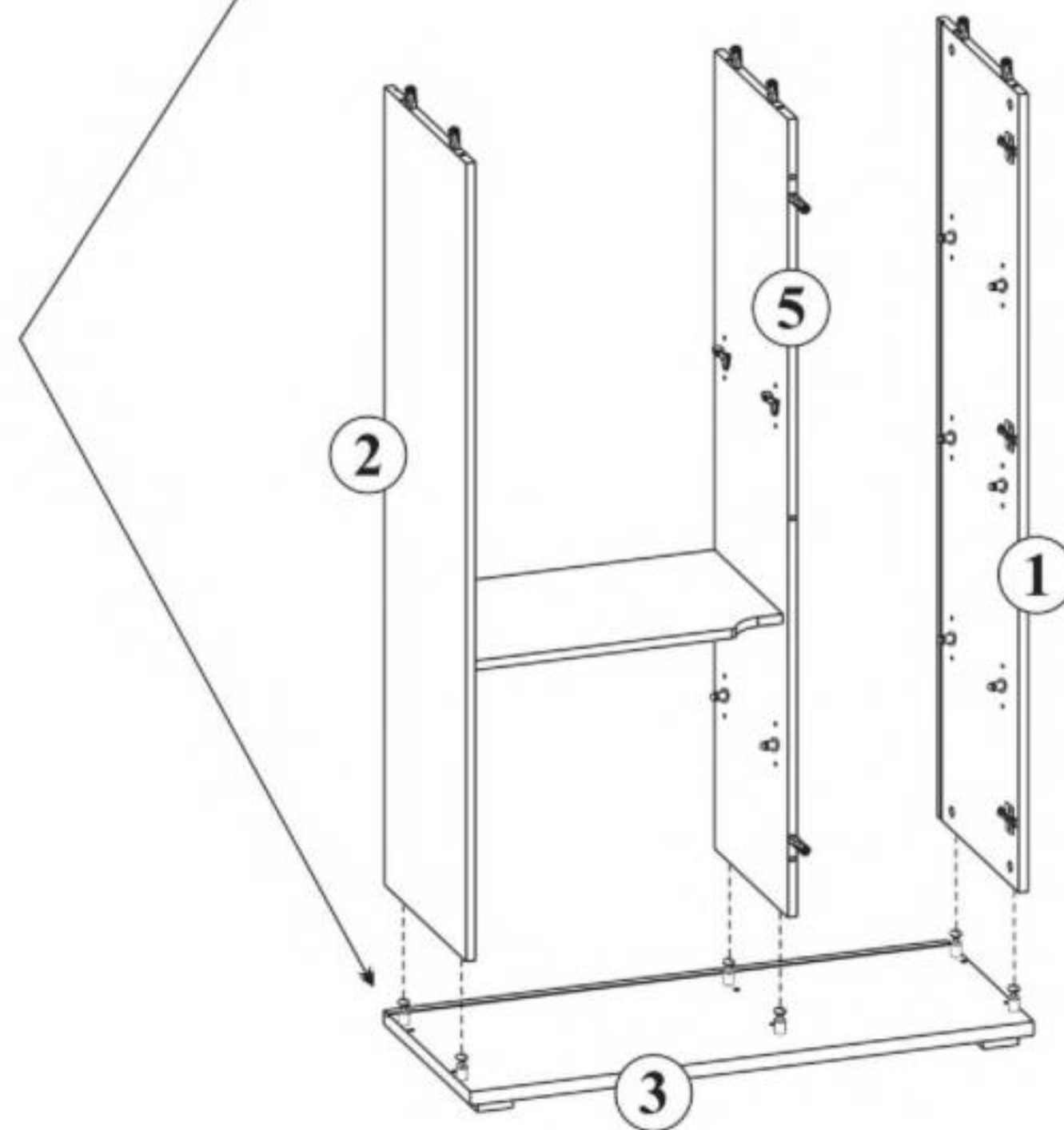
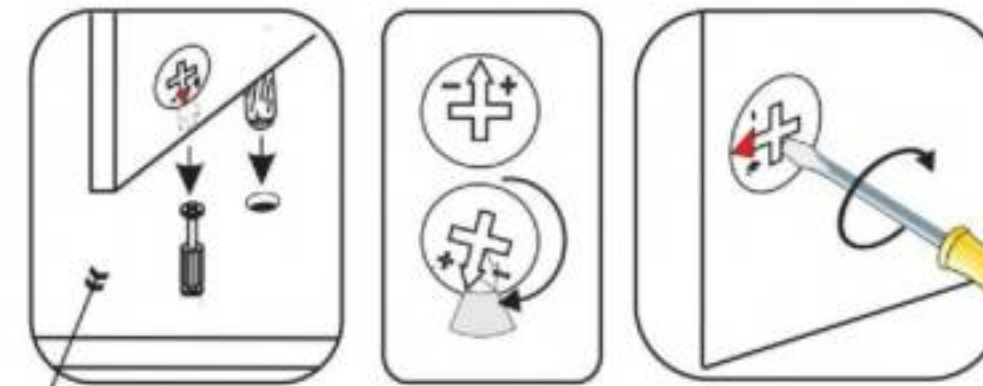
7



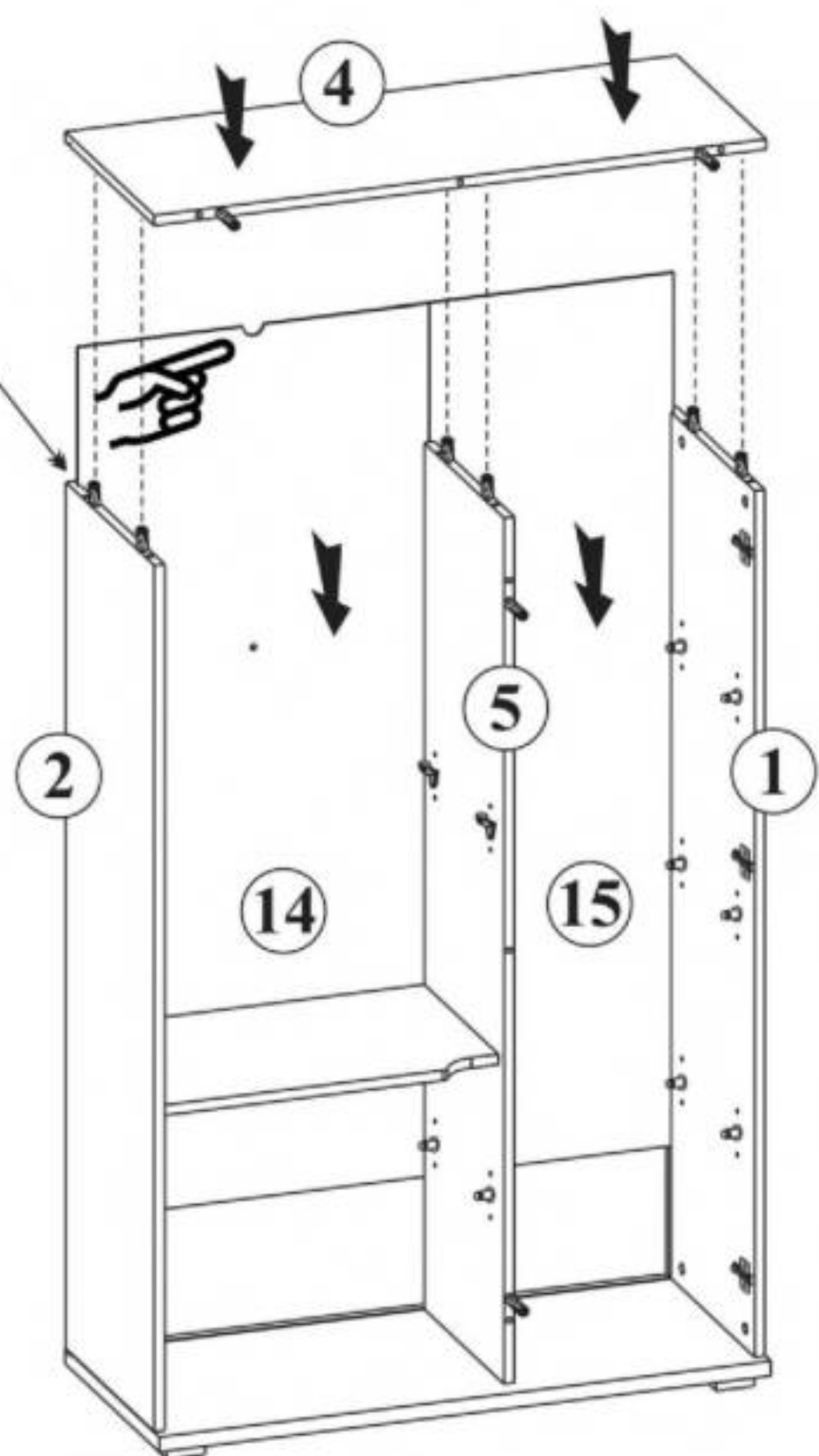
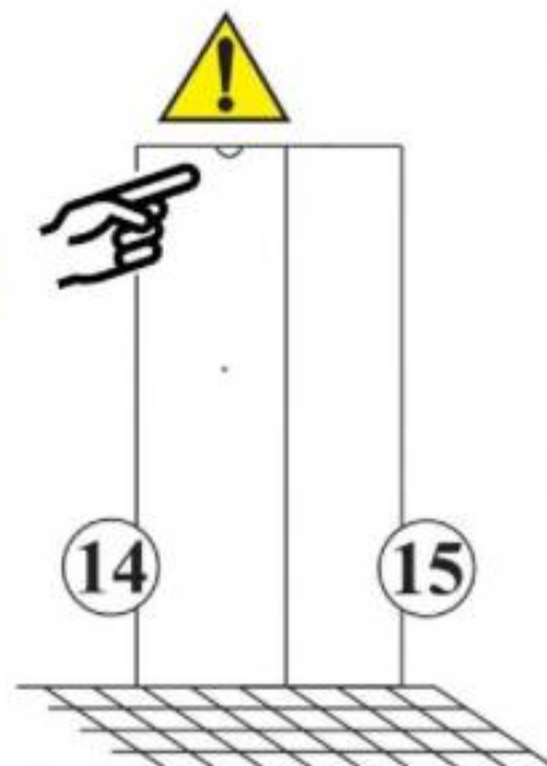
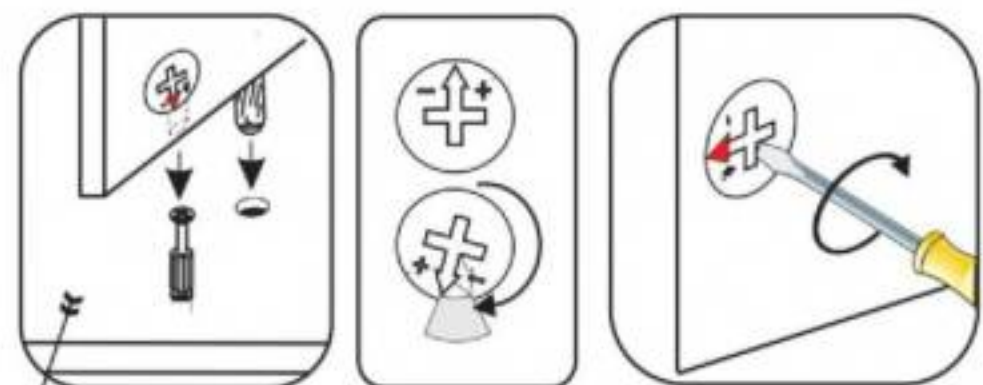
8



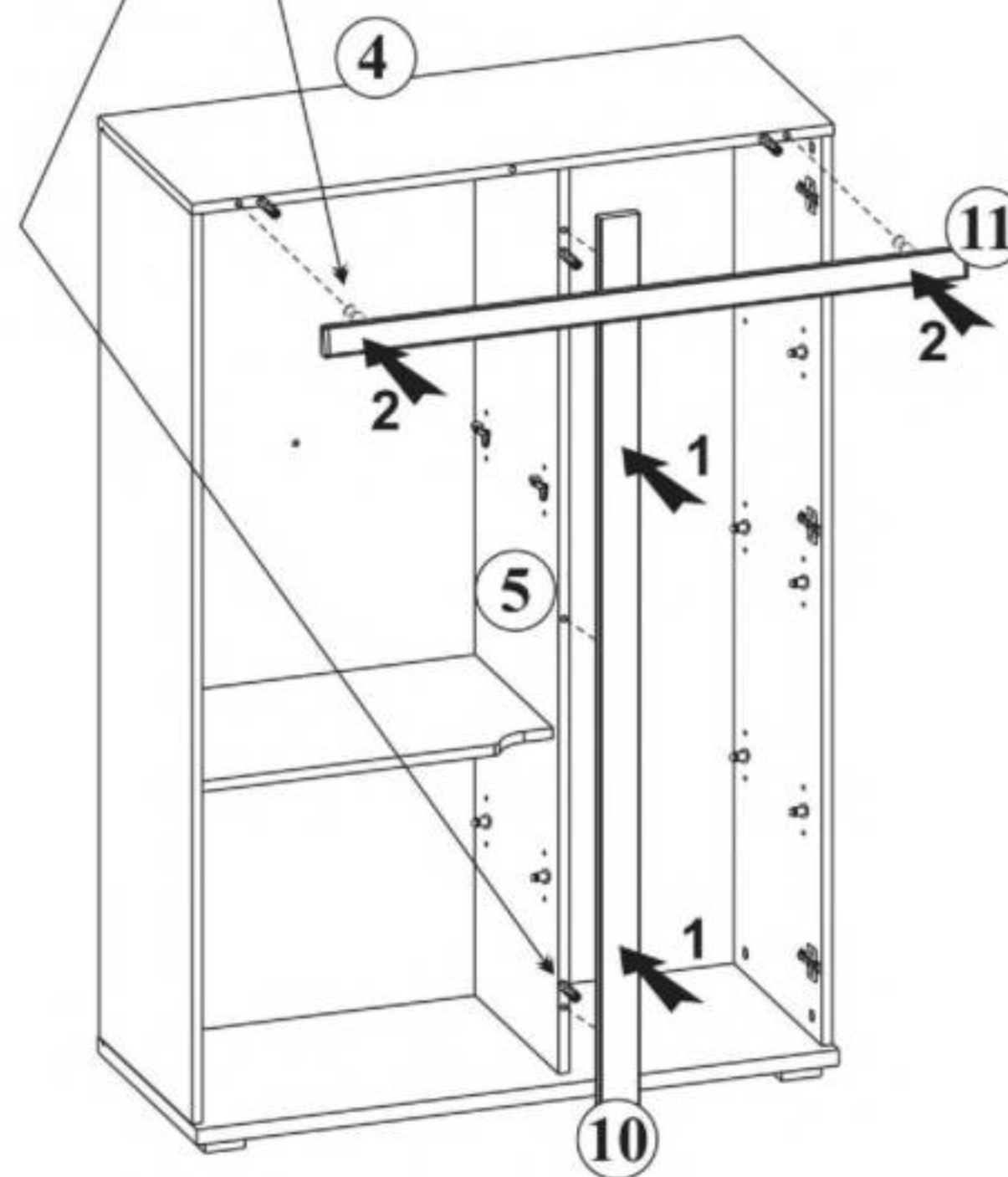
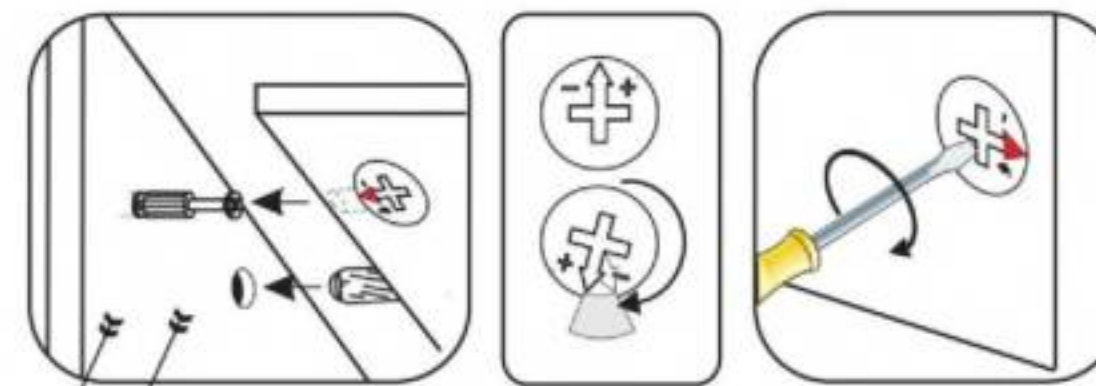
9



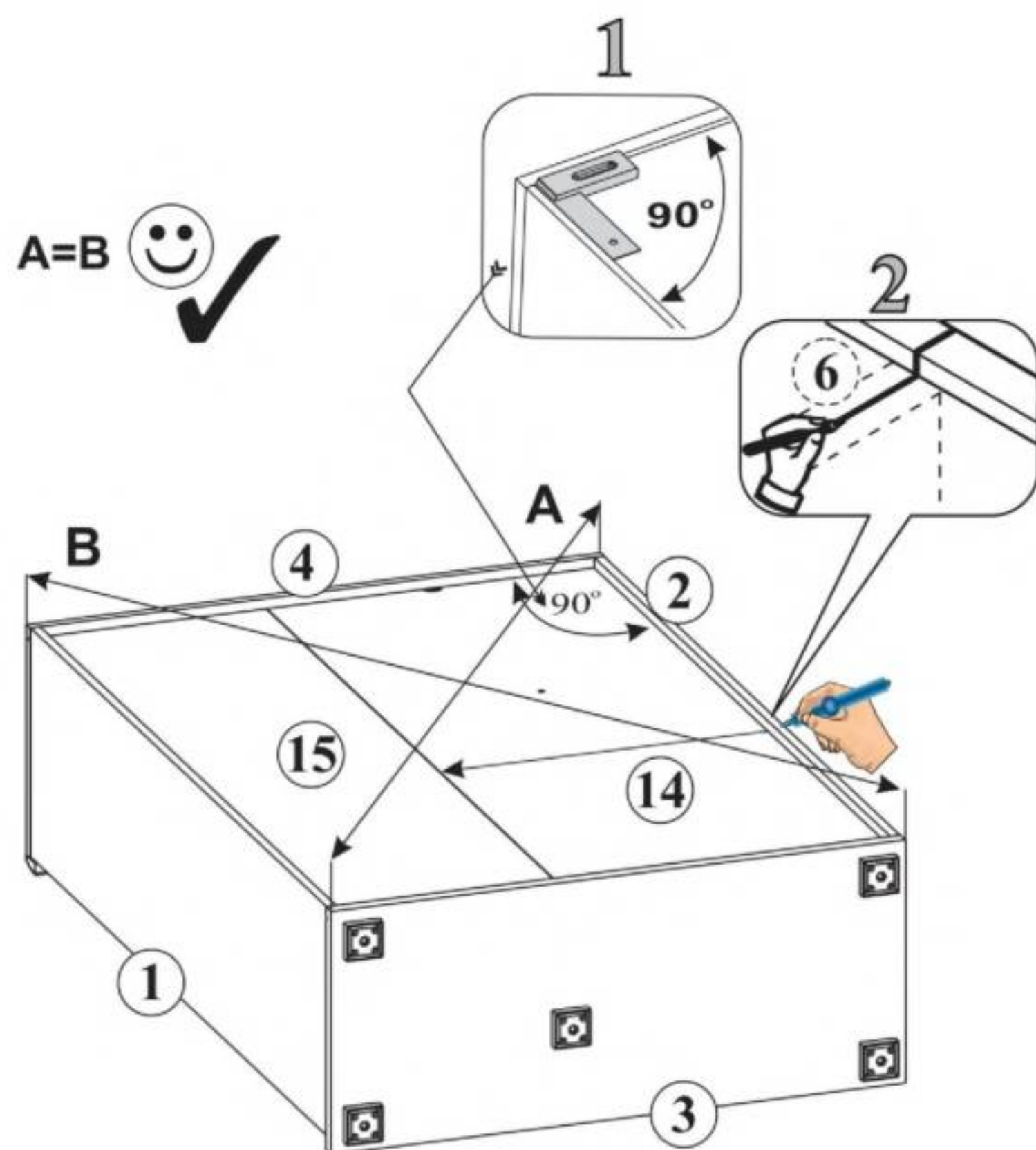
10



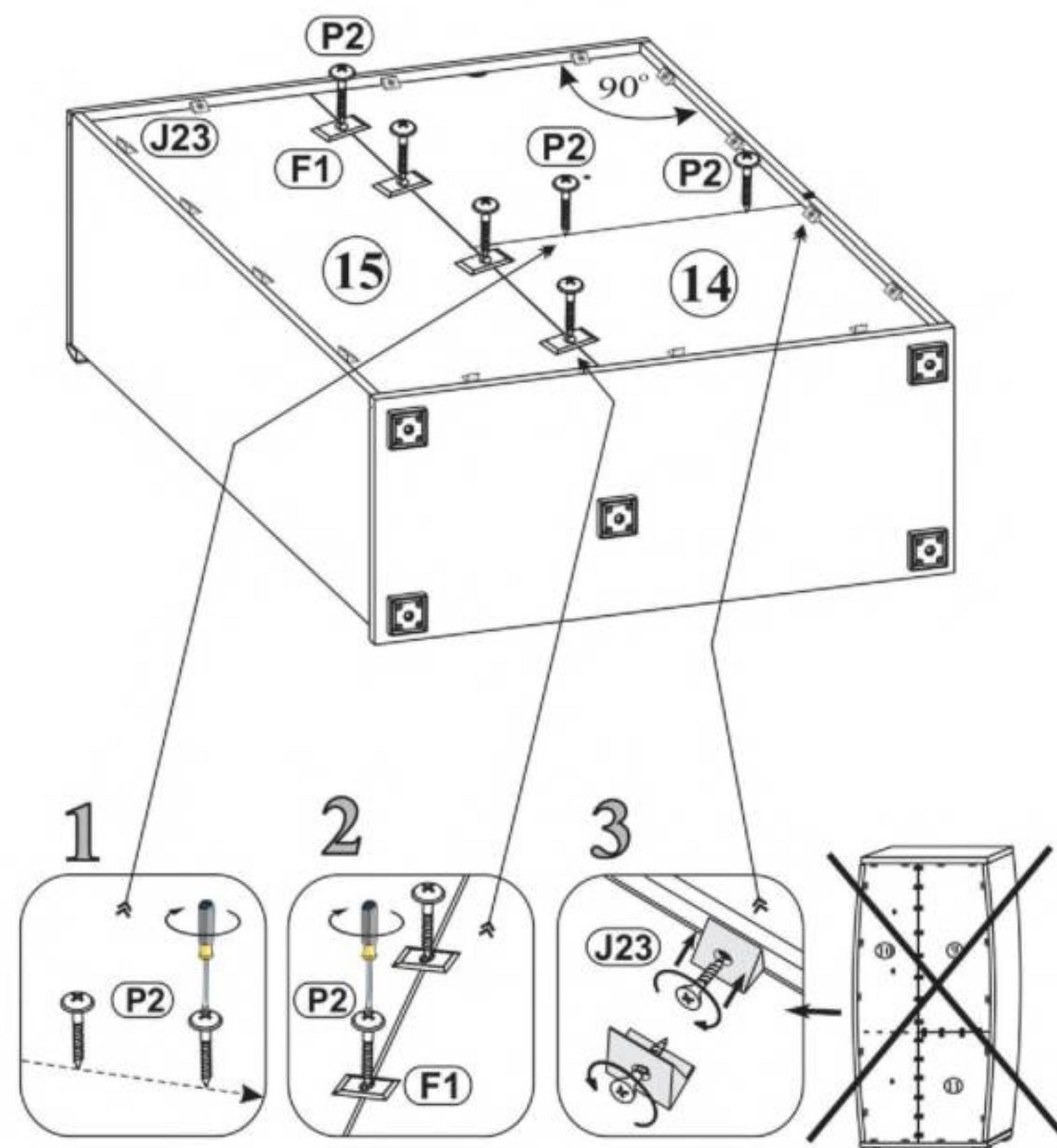
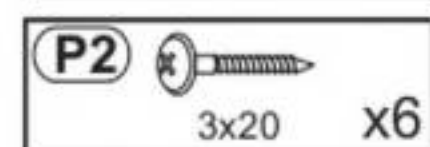
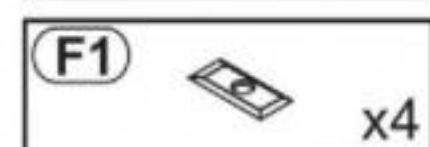
11



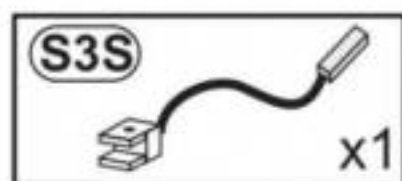
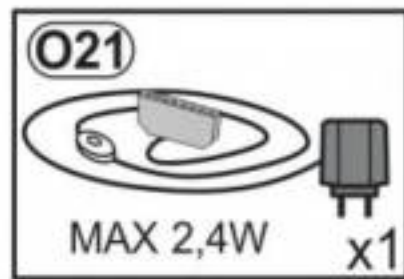
12



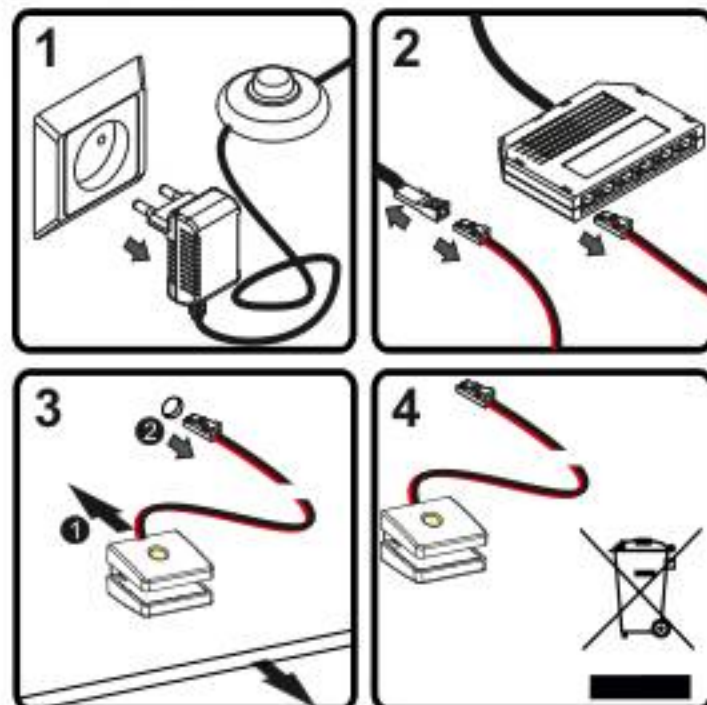
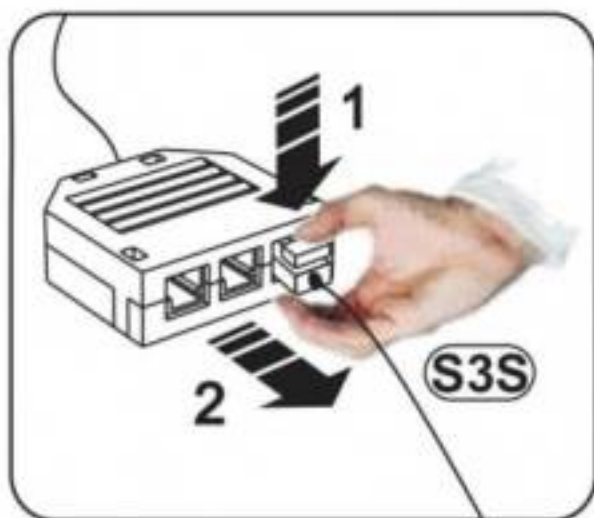
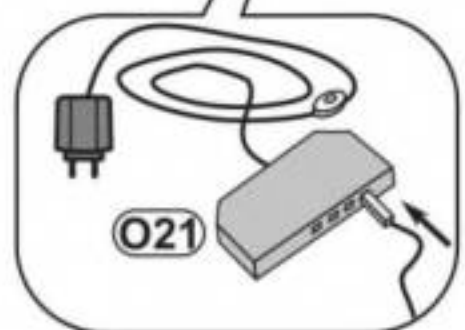
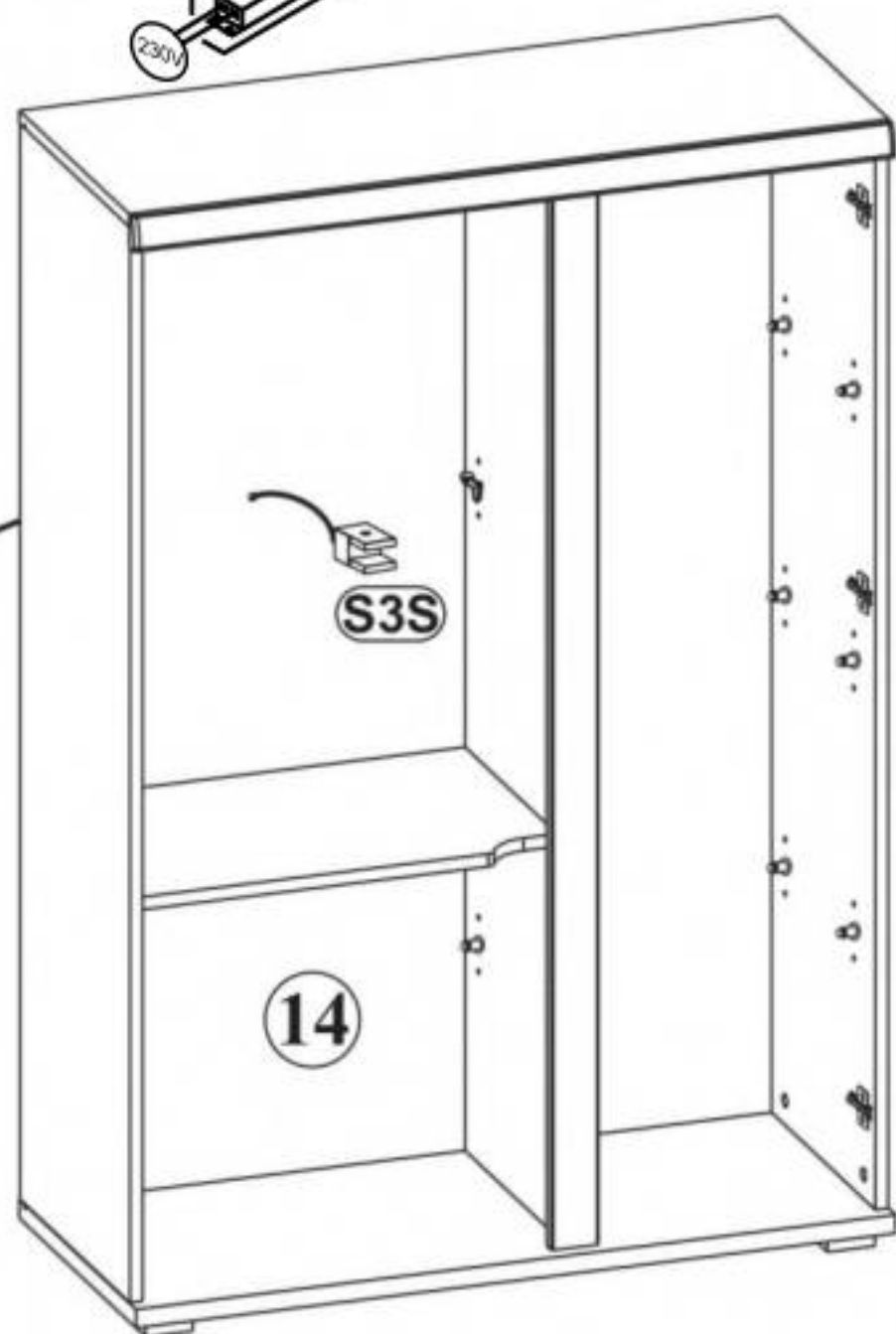
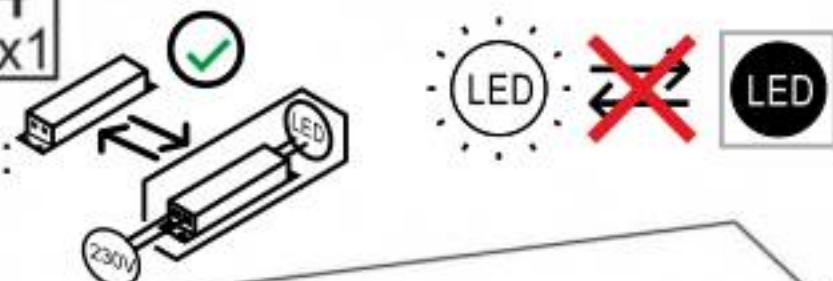
13



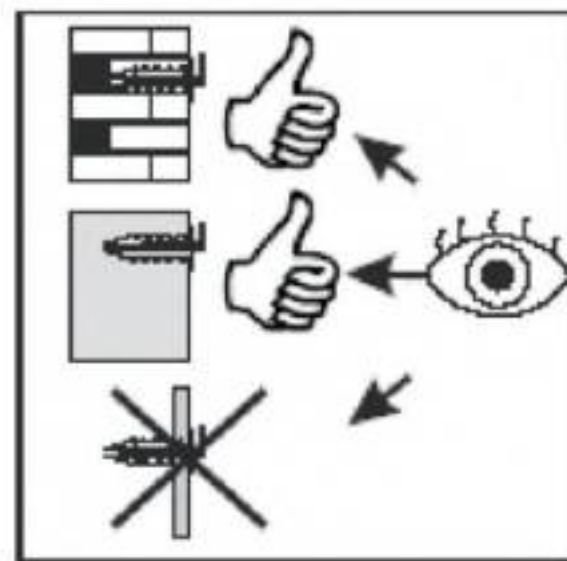
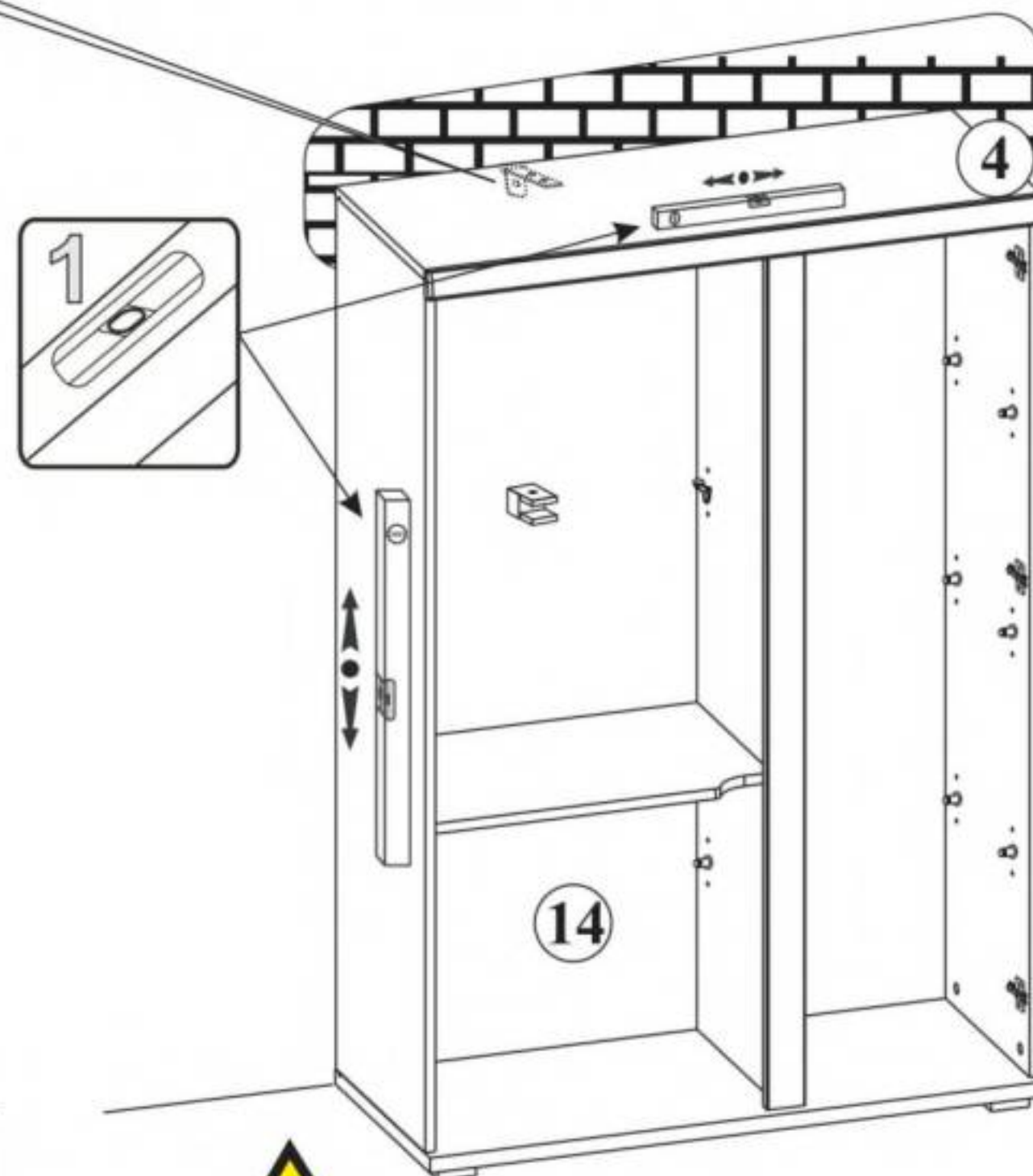
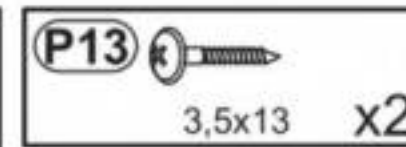
14



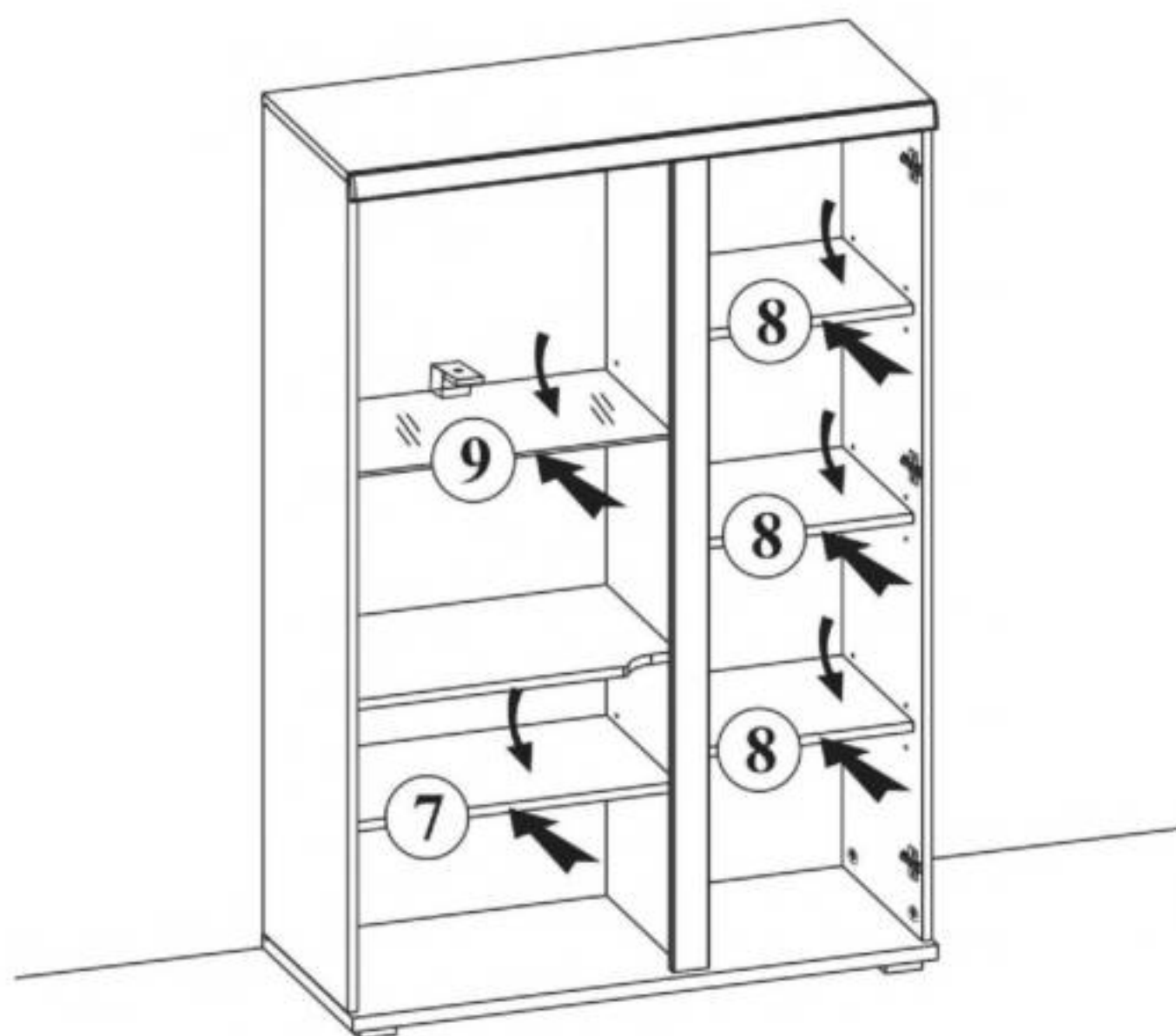
LED-osvětlení/osvetlenie:
Zeta S 3S



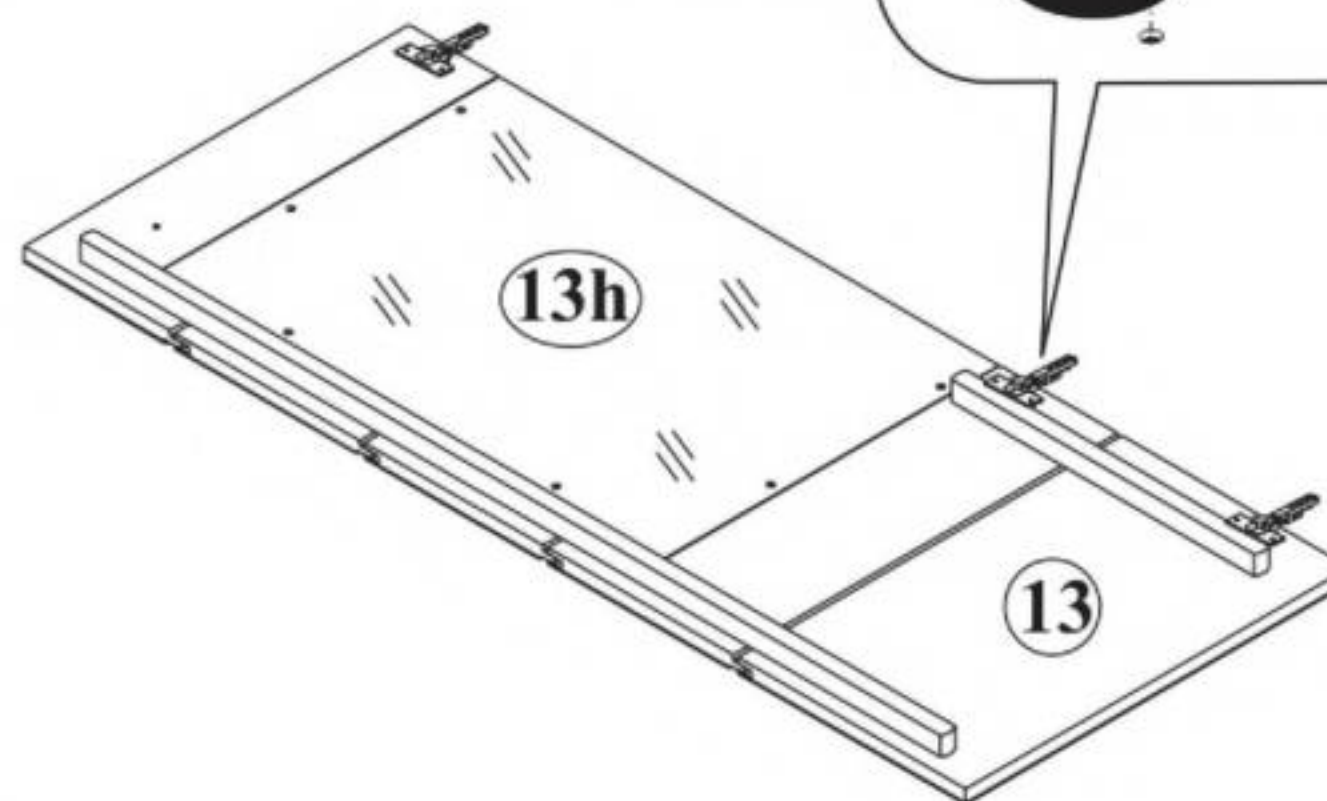
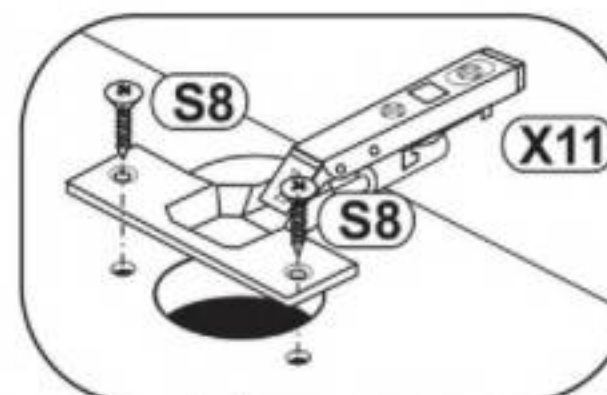
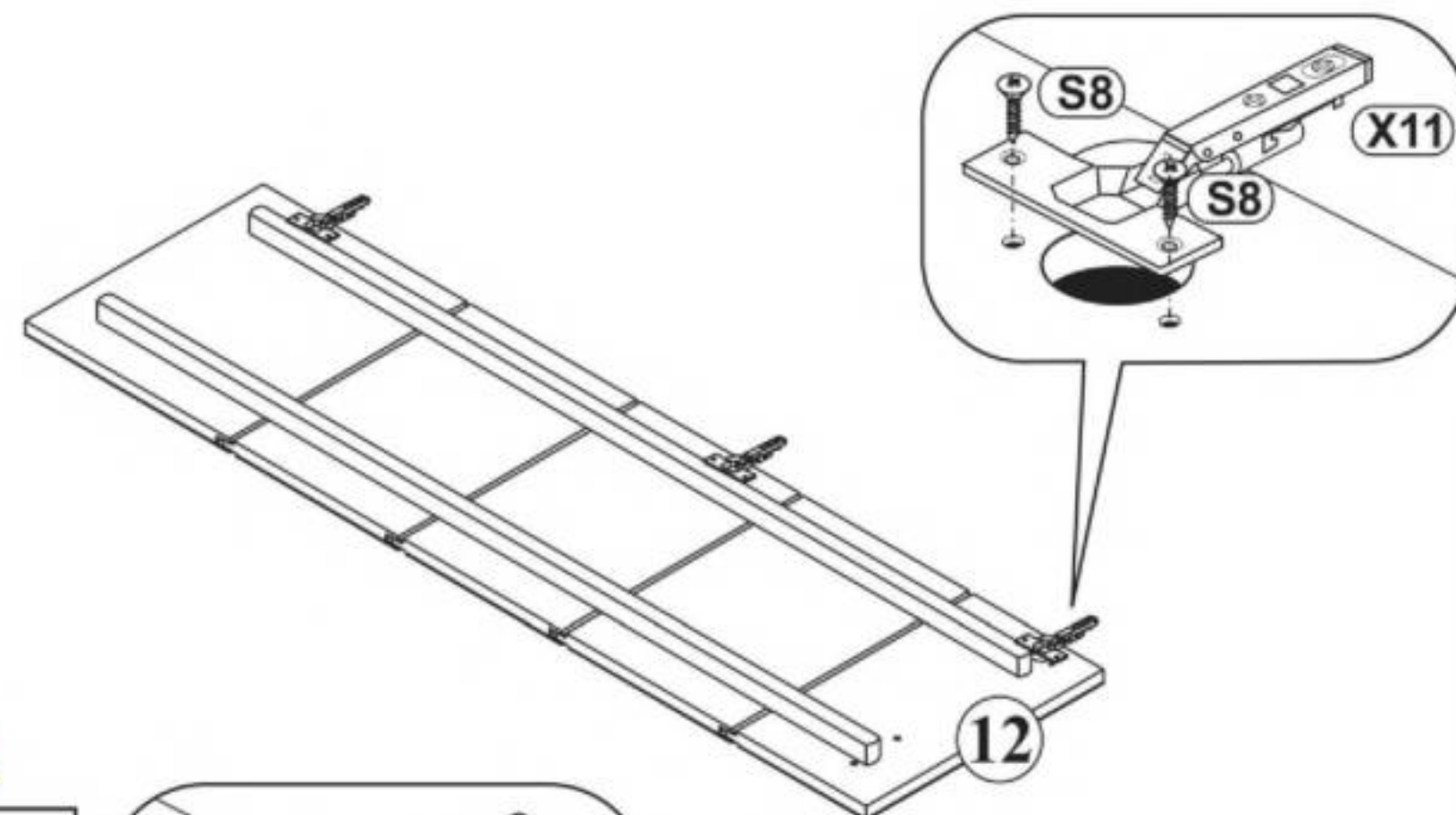
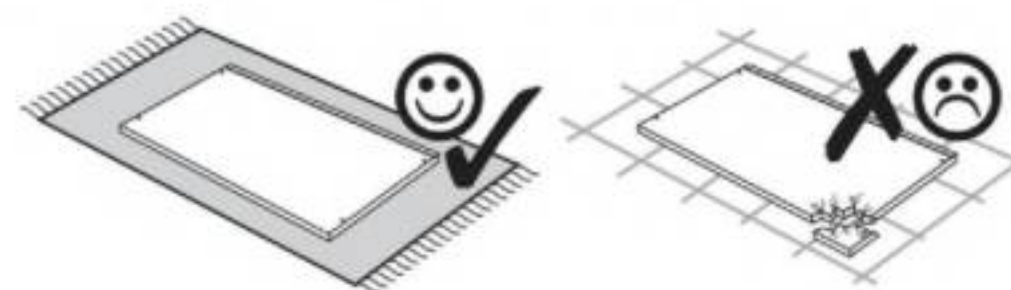
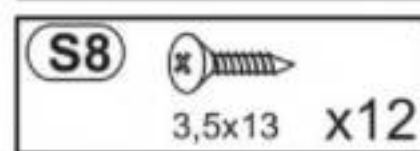
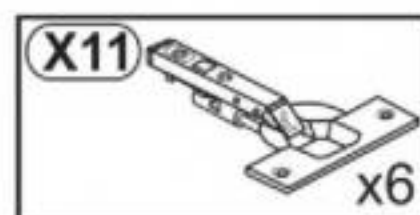
15



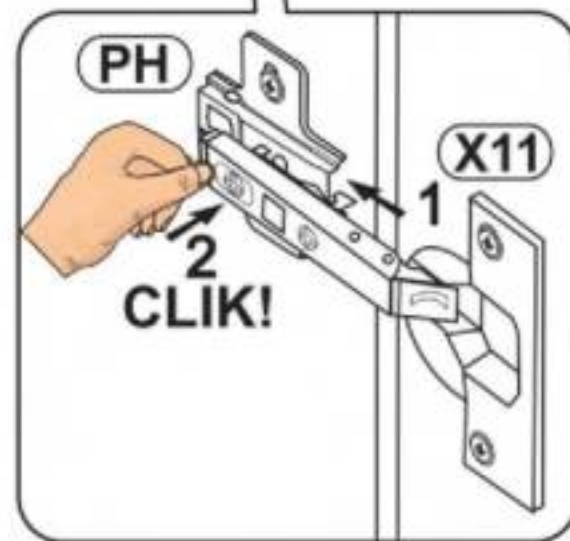
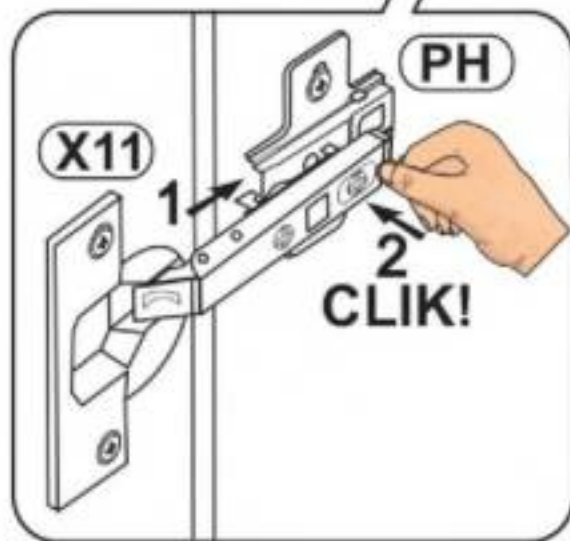
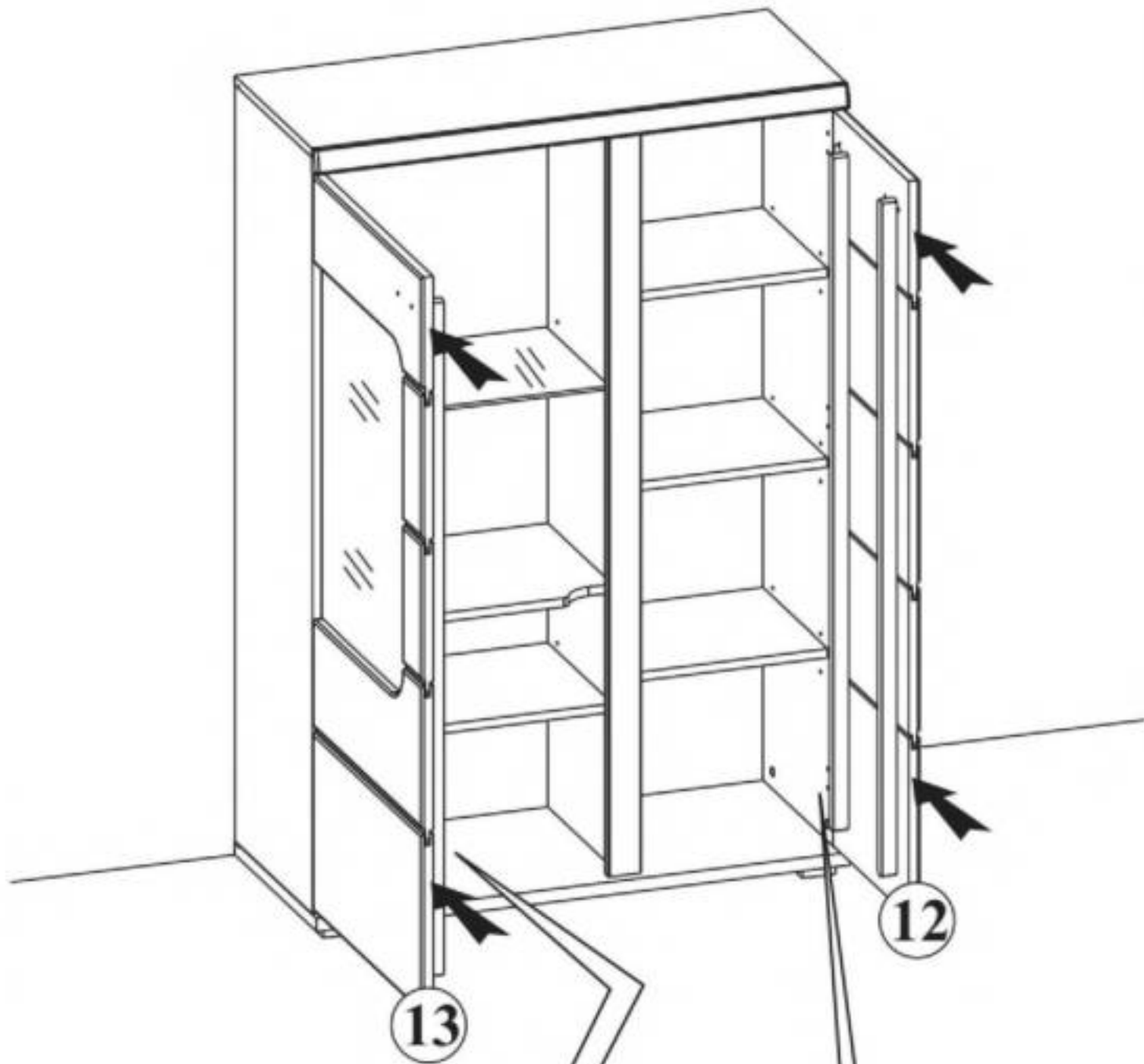
16



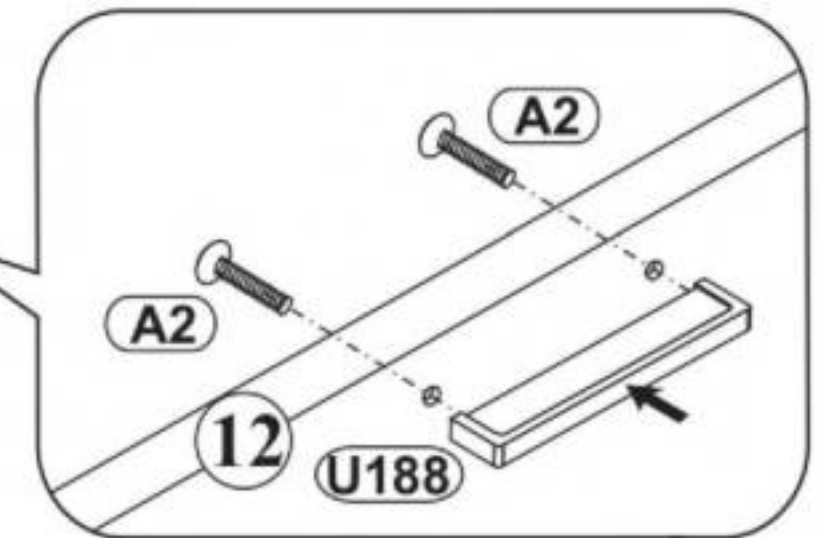
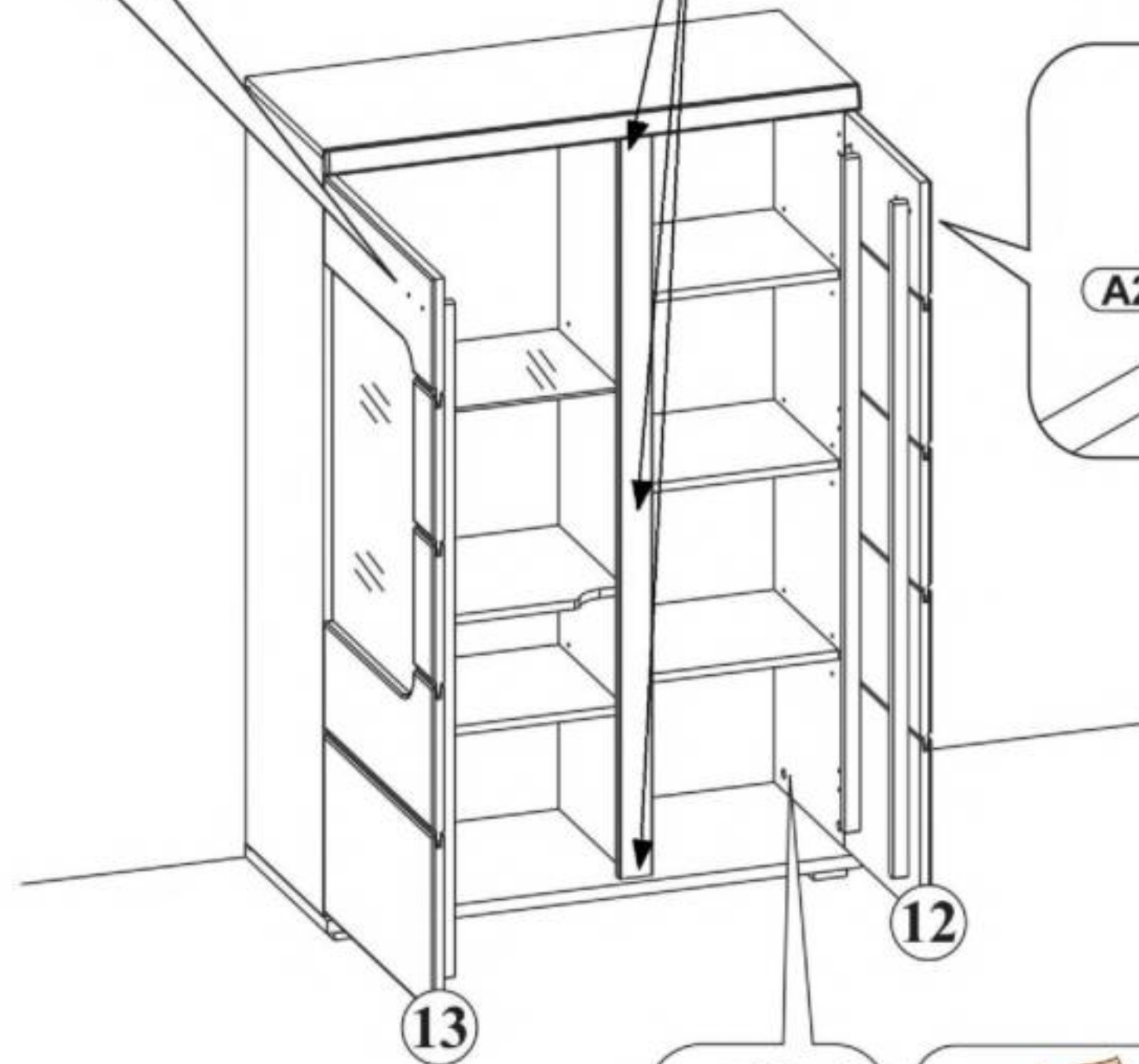
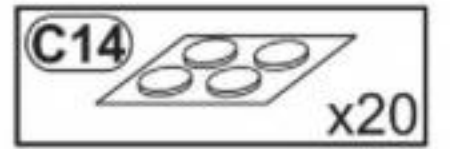
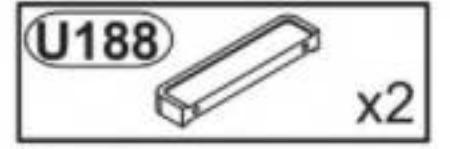
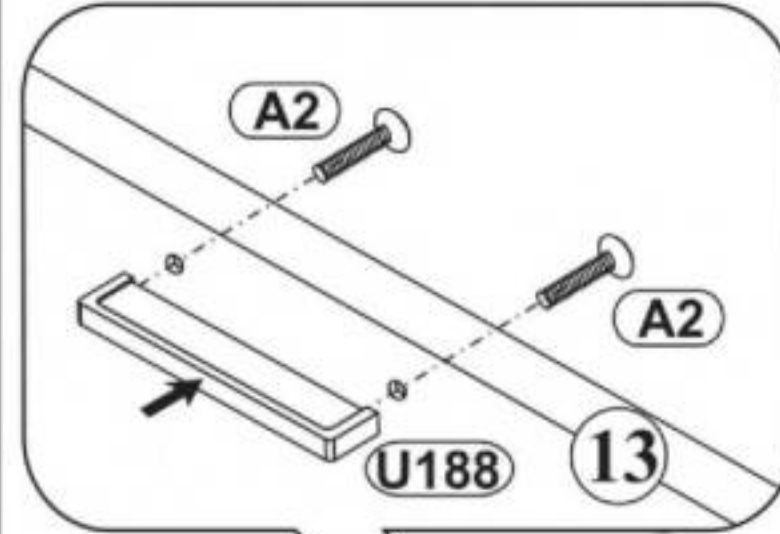
17



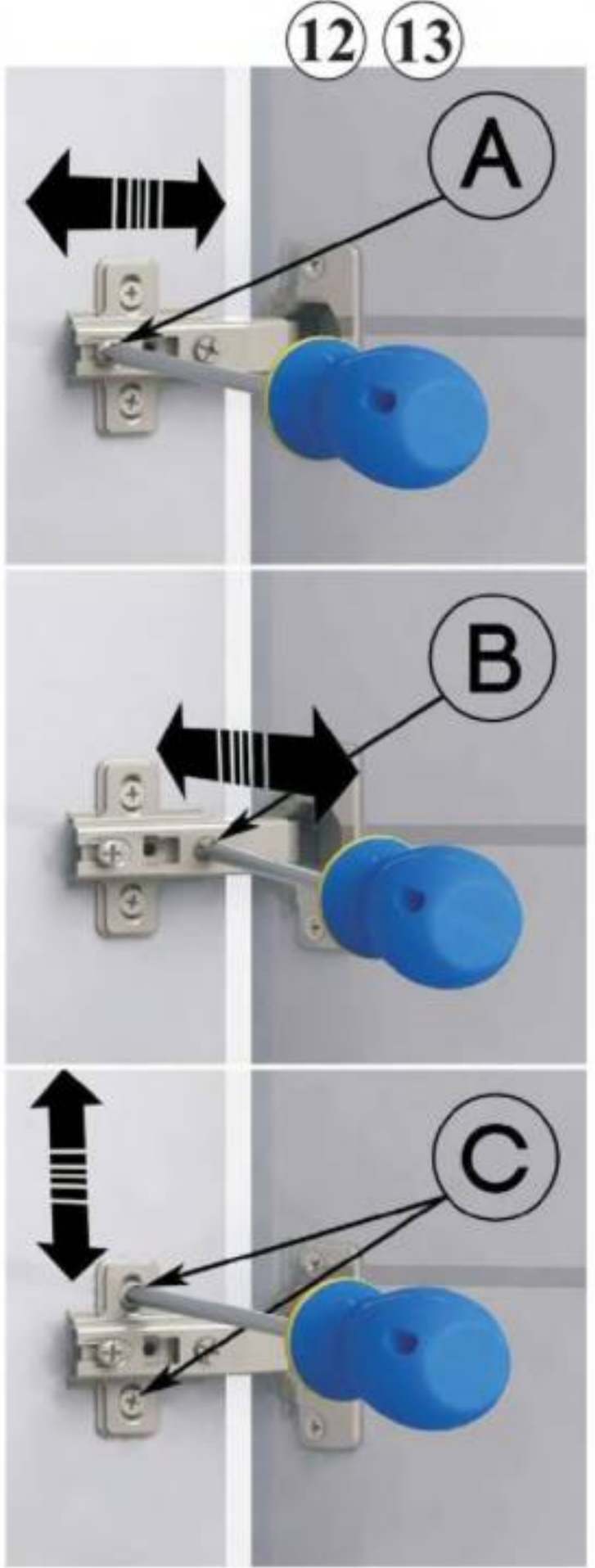
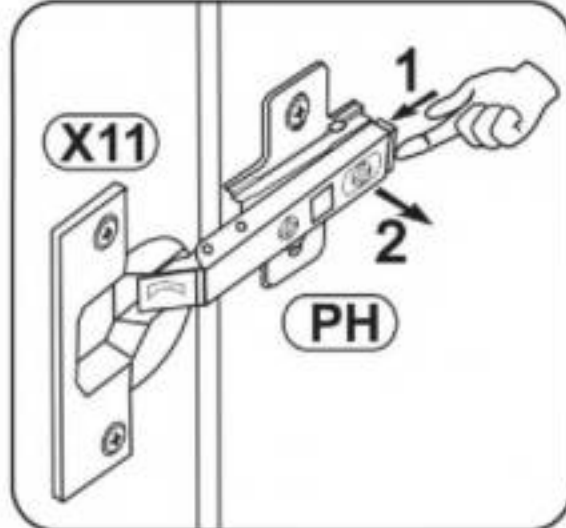
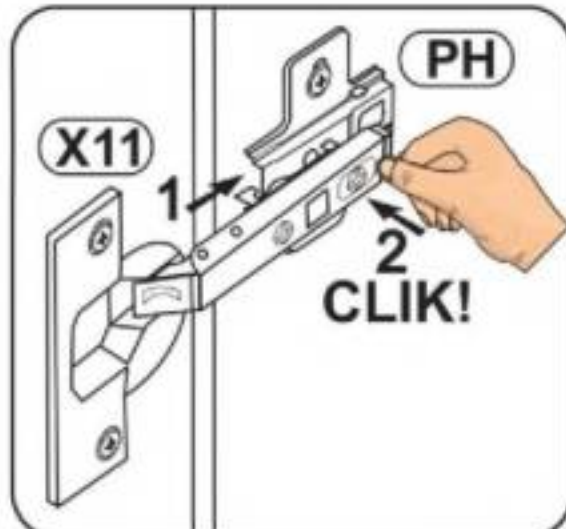
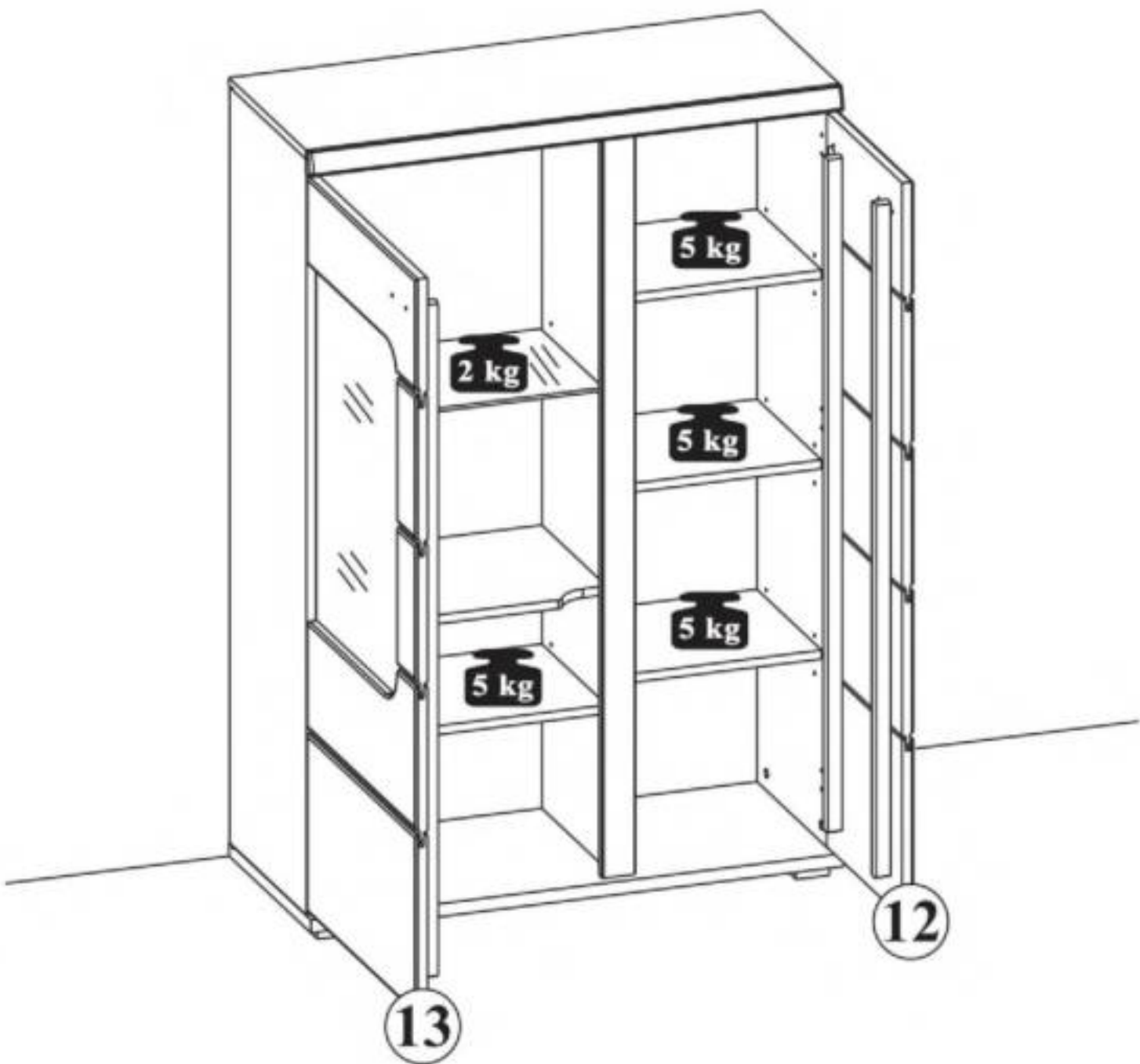
18

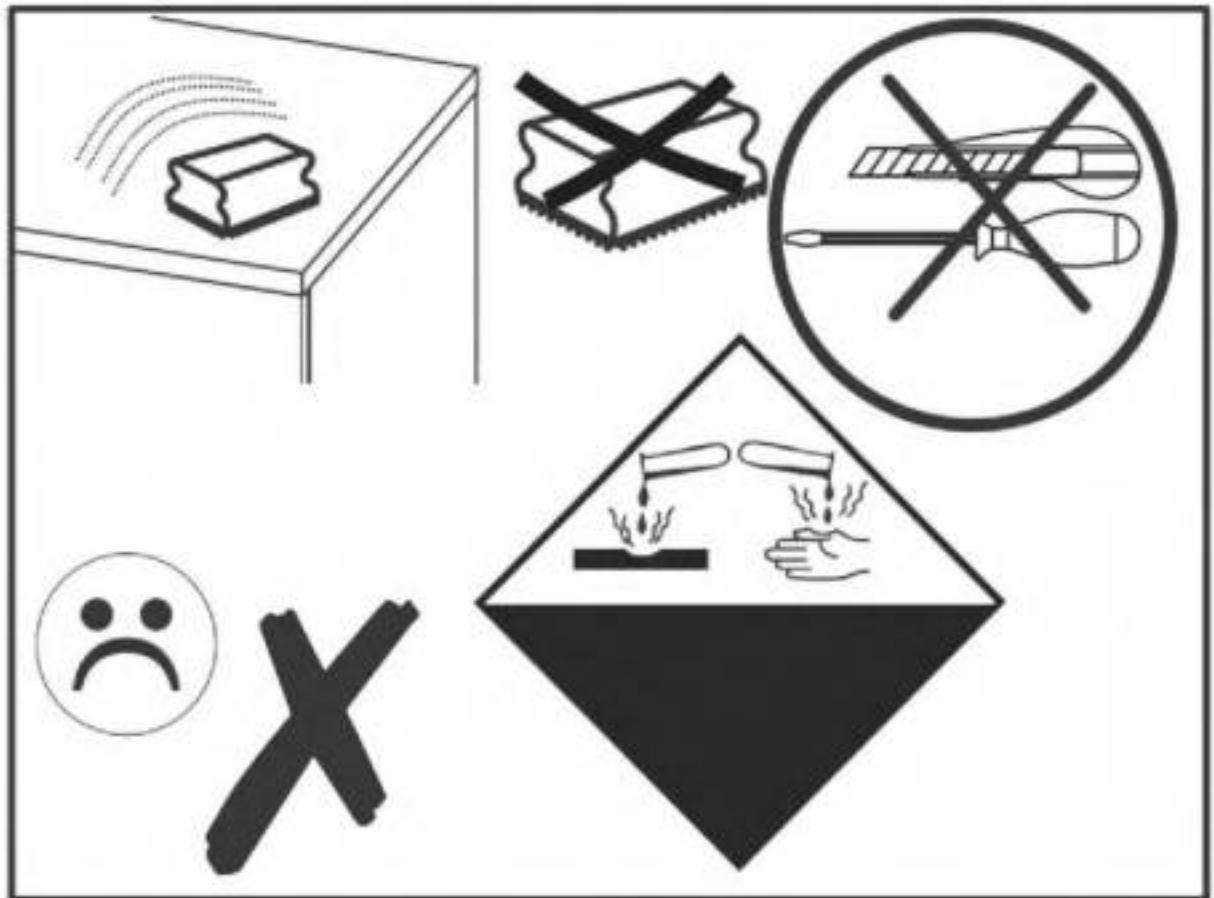
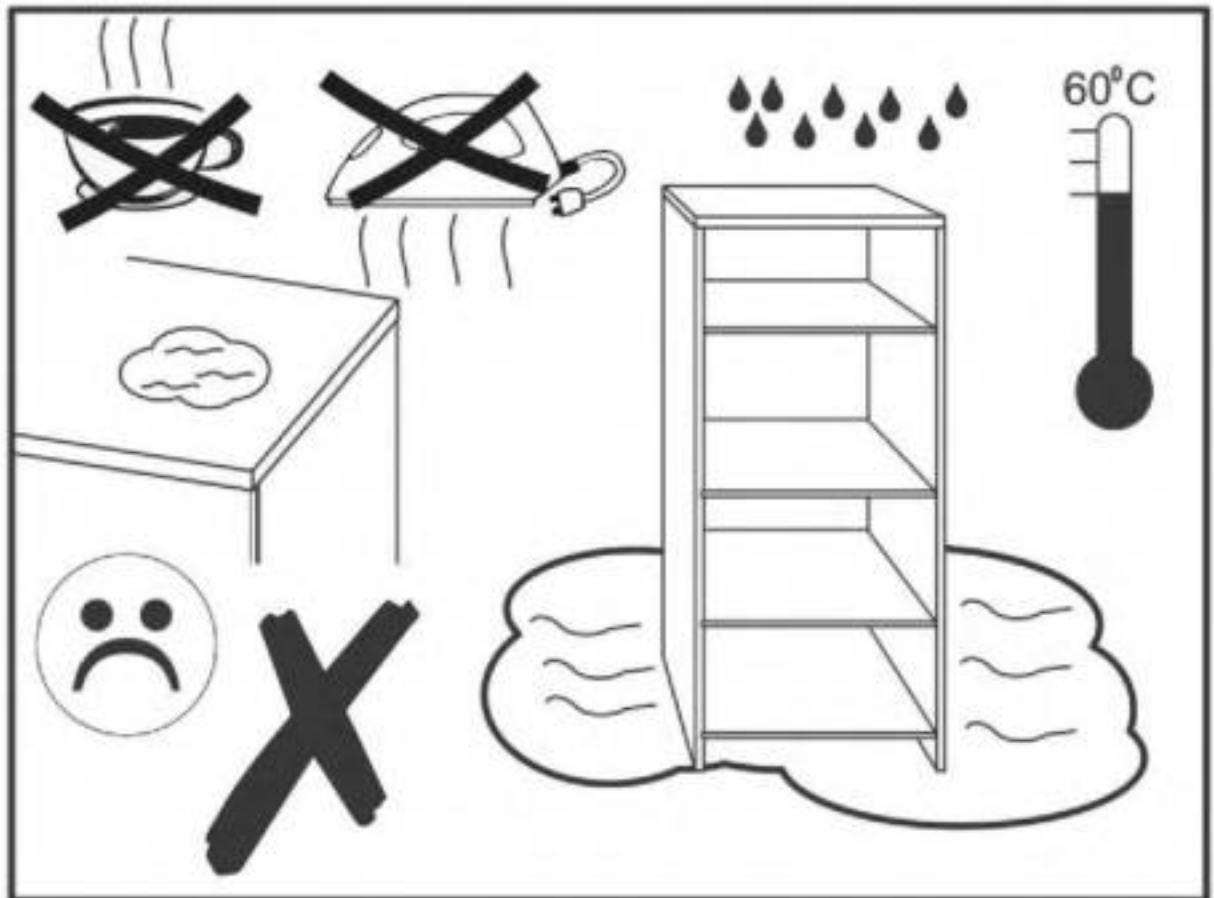
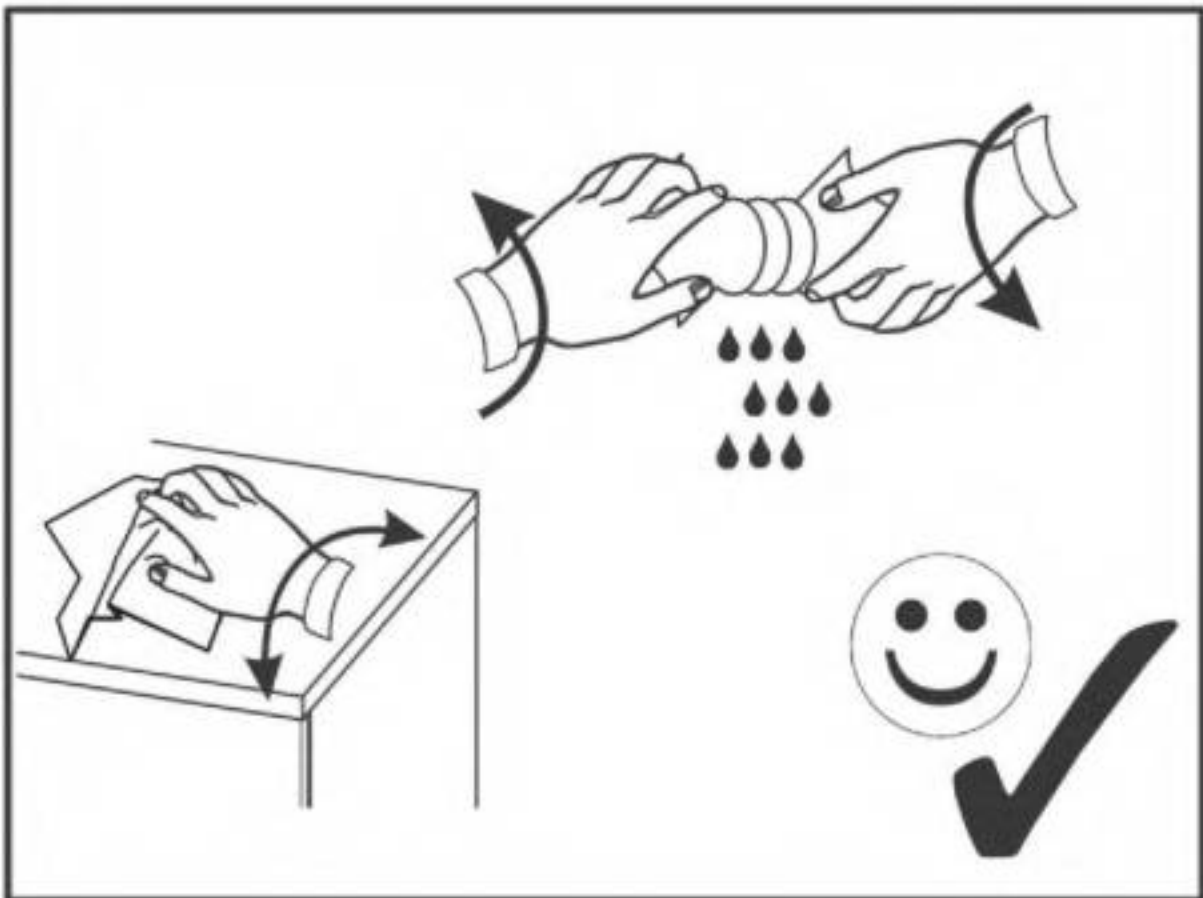
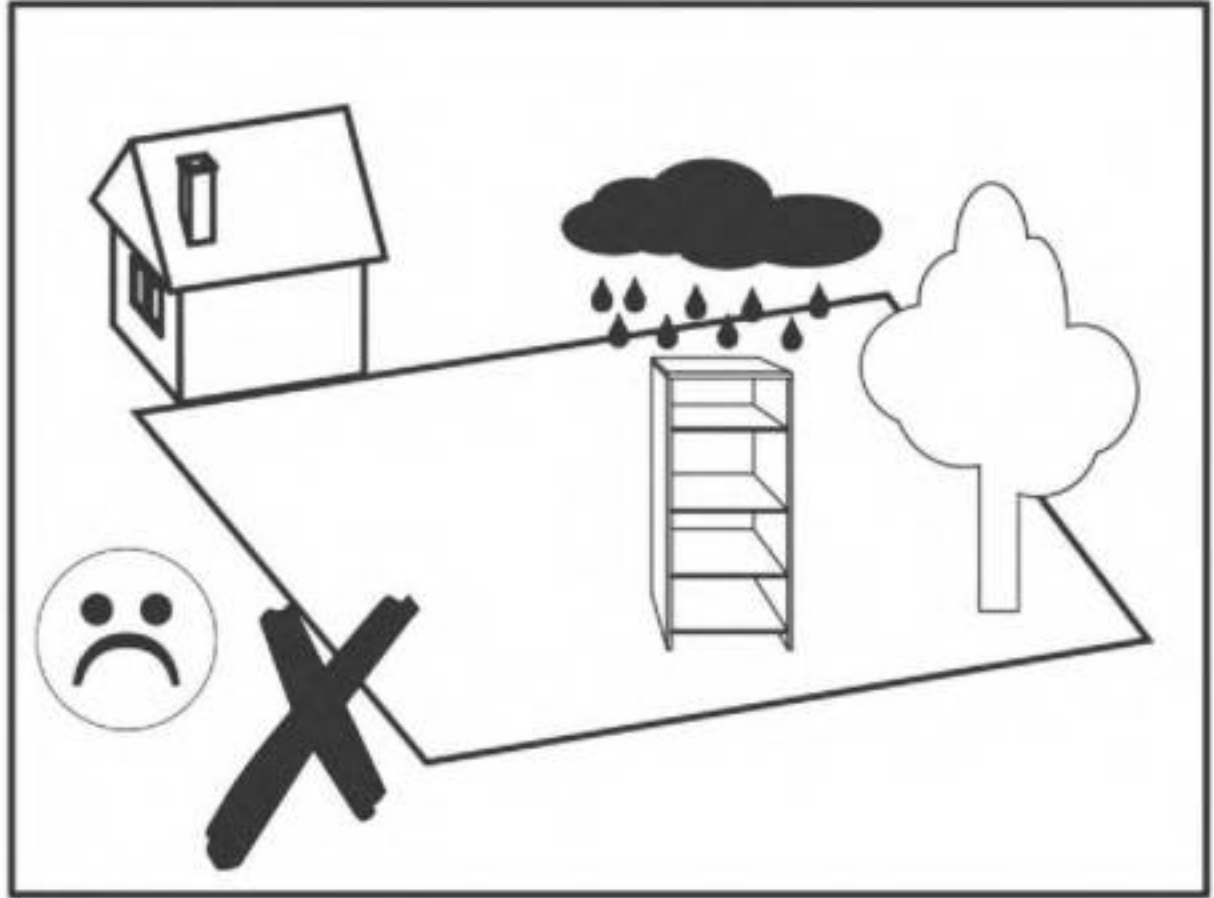
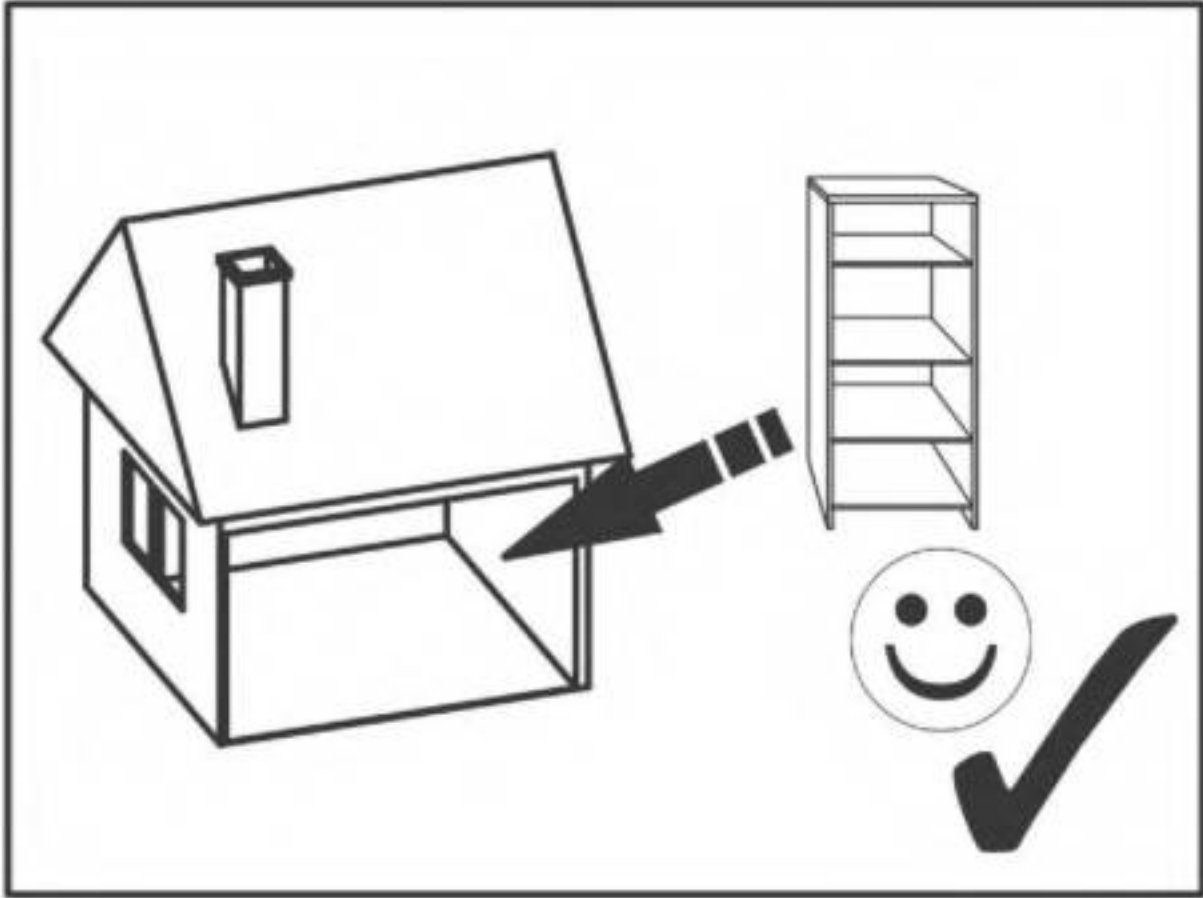


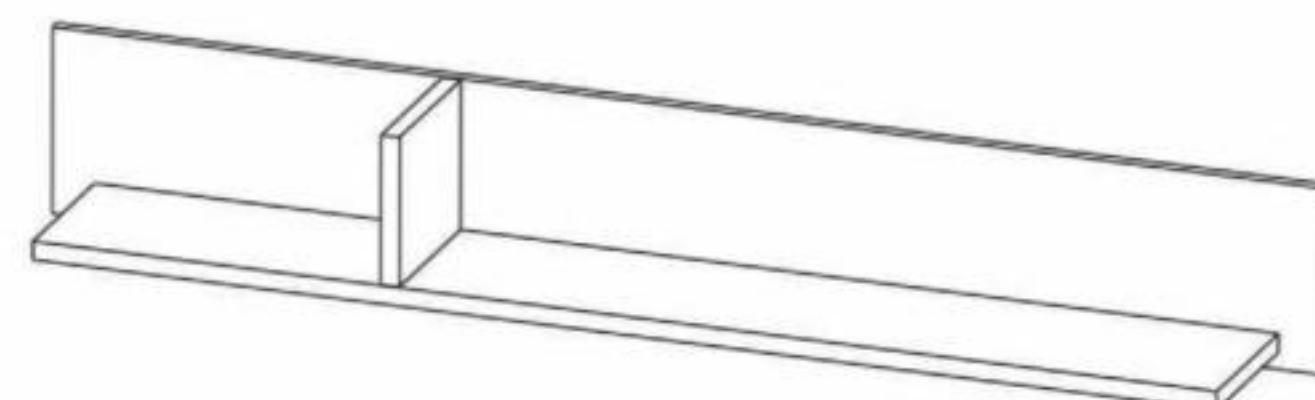
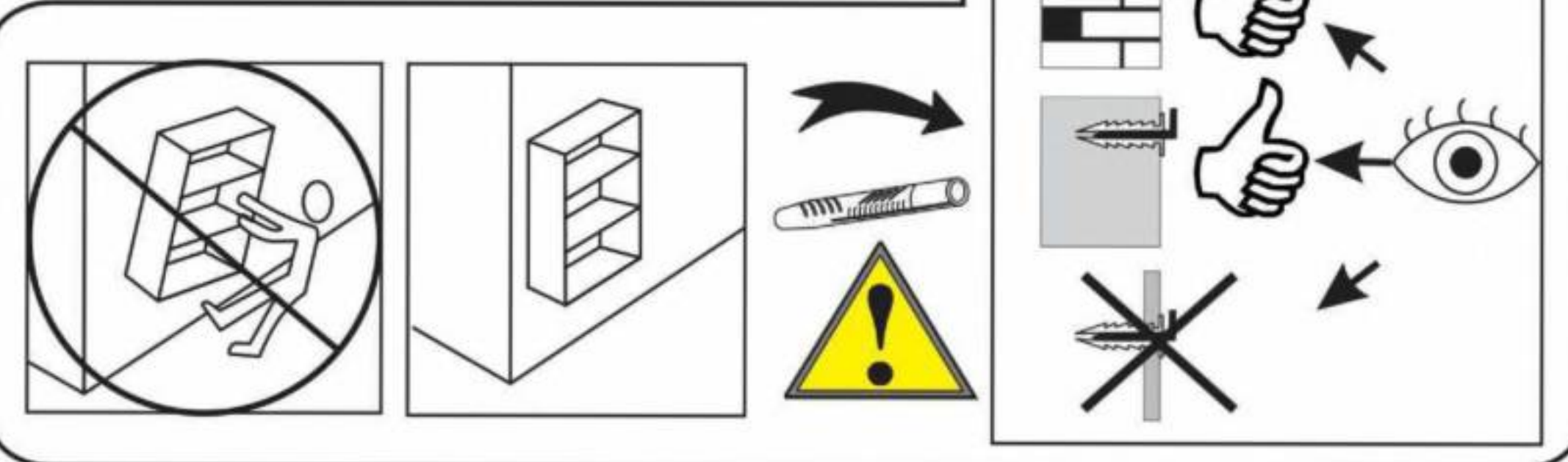
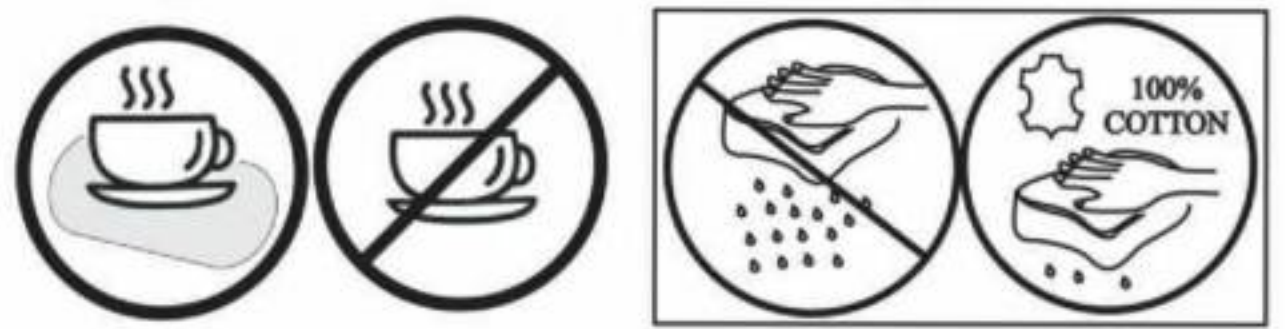
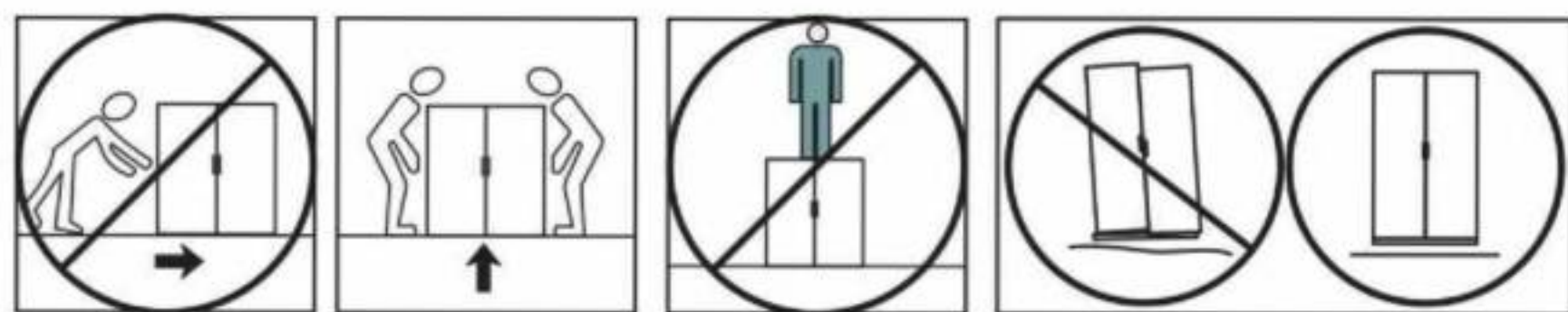
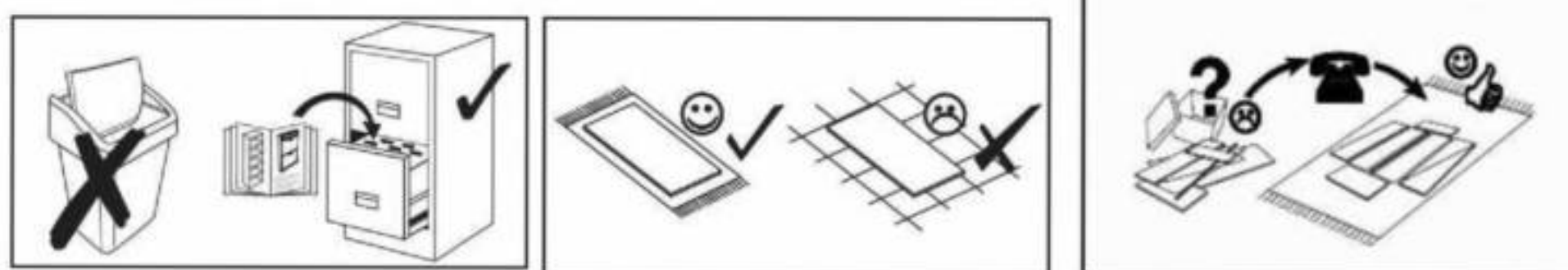
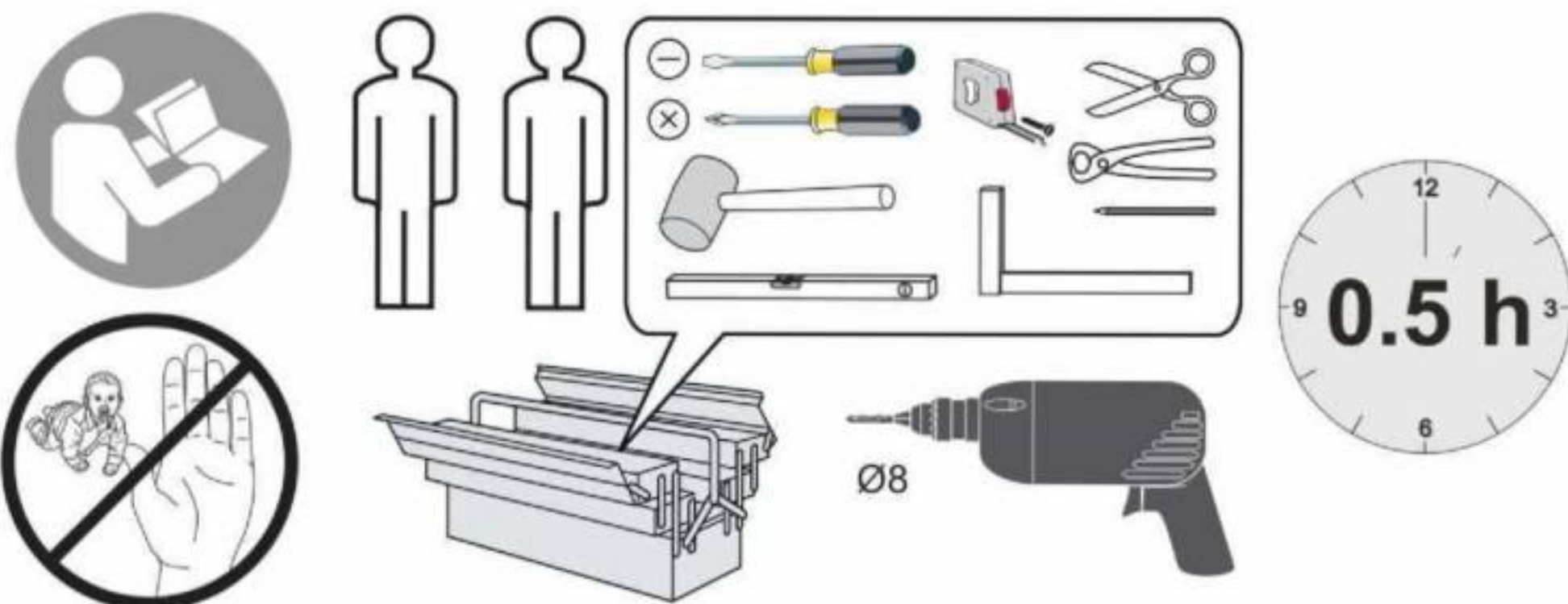
19



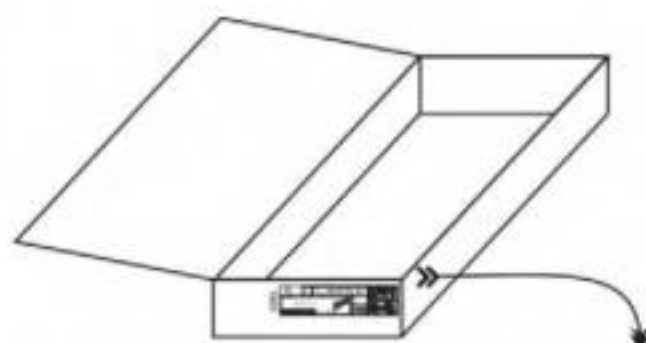
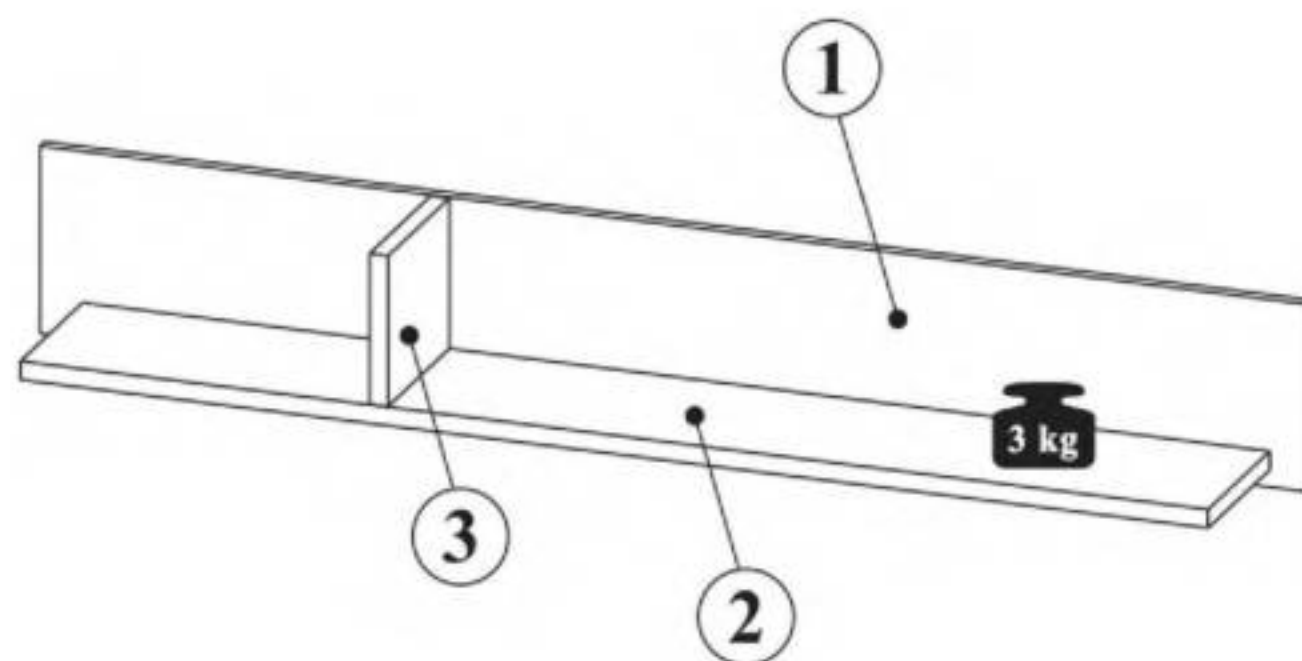
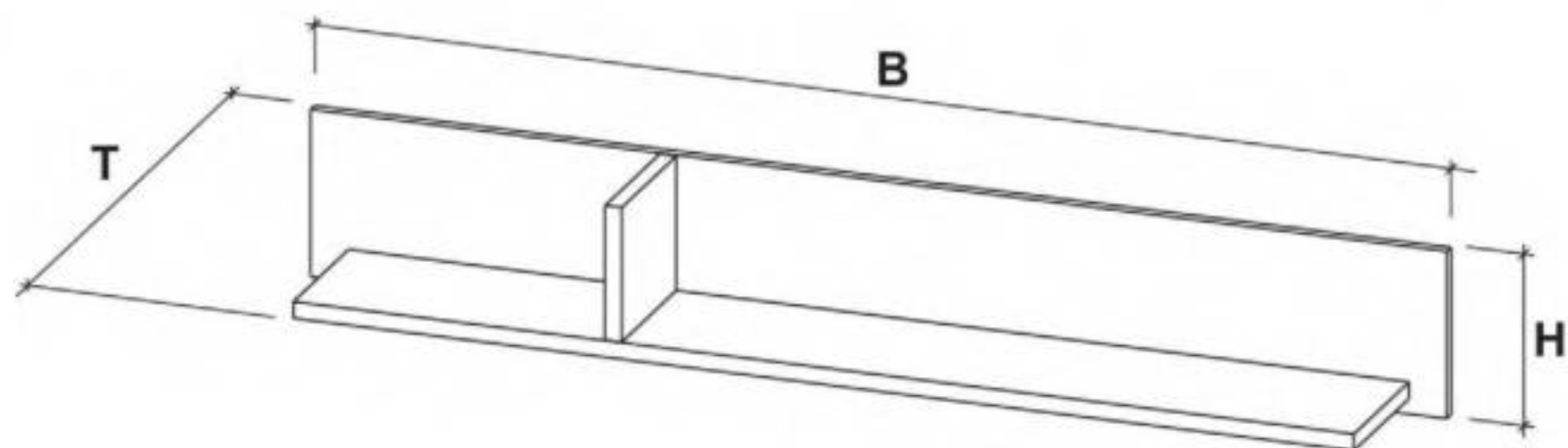
20



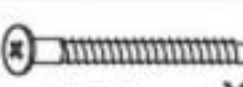














B - 1500mm
 H - 220mm
 T - 215mm

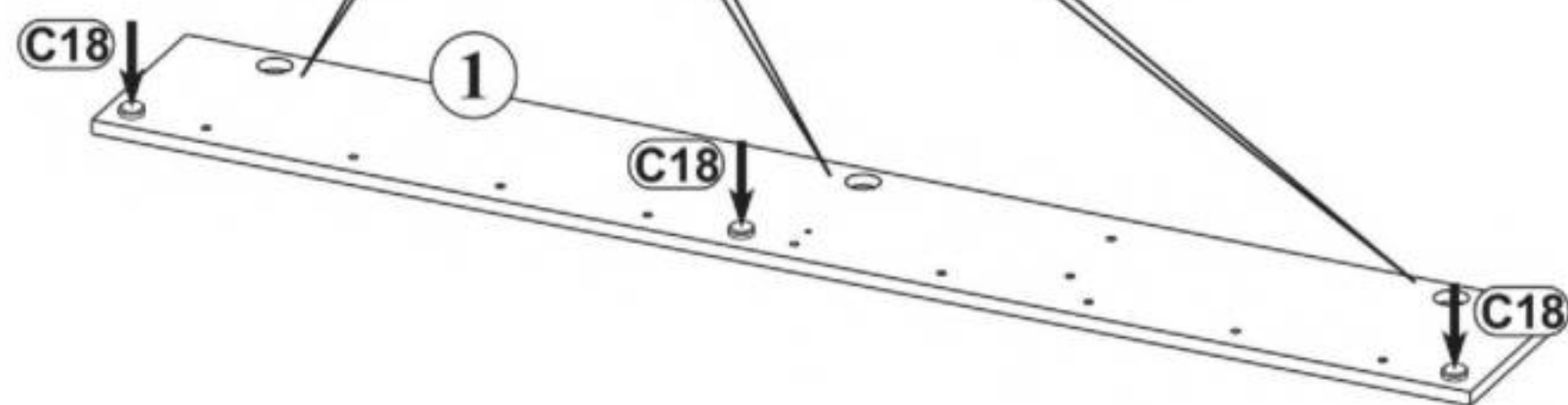
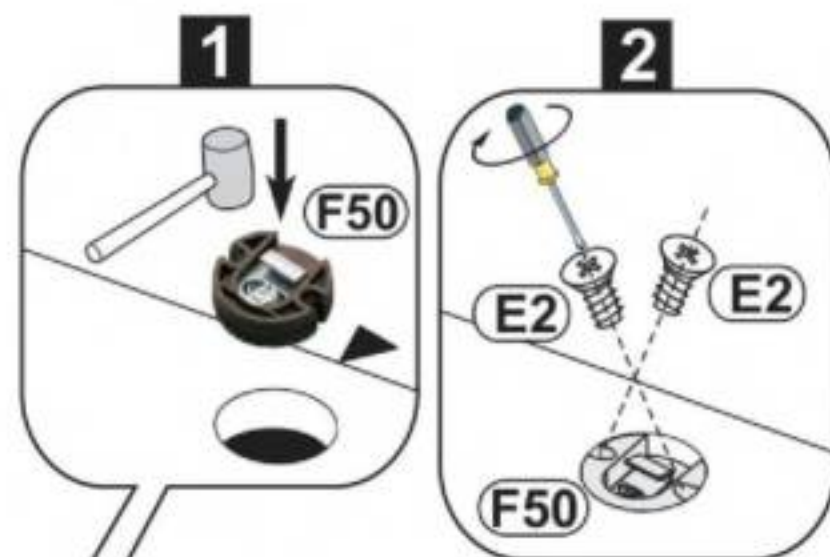
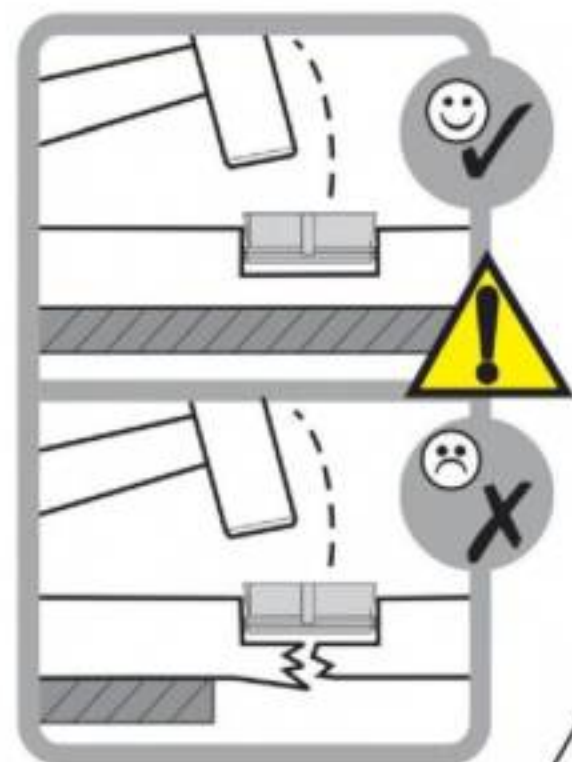
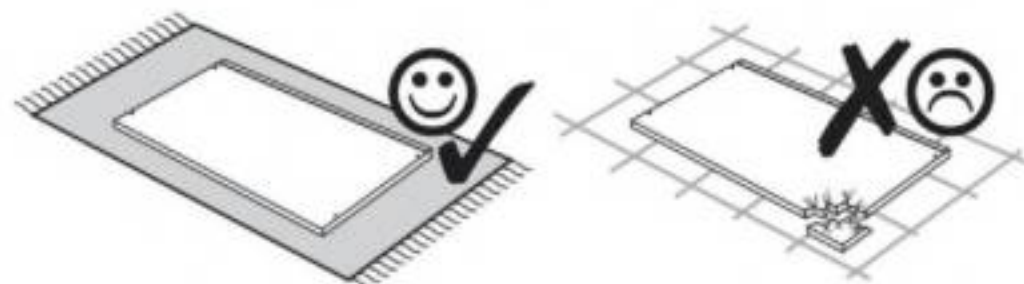
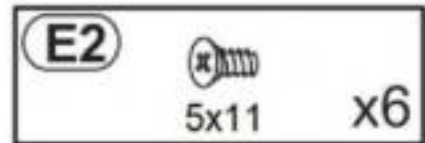


1	1500	220	1	1
2	1400	200	1	1
3	180	177	1	1

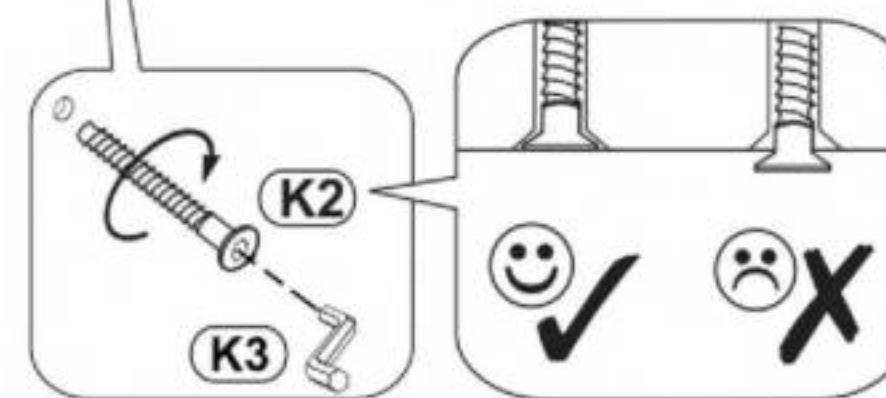
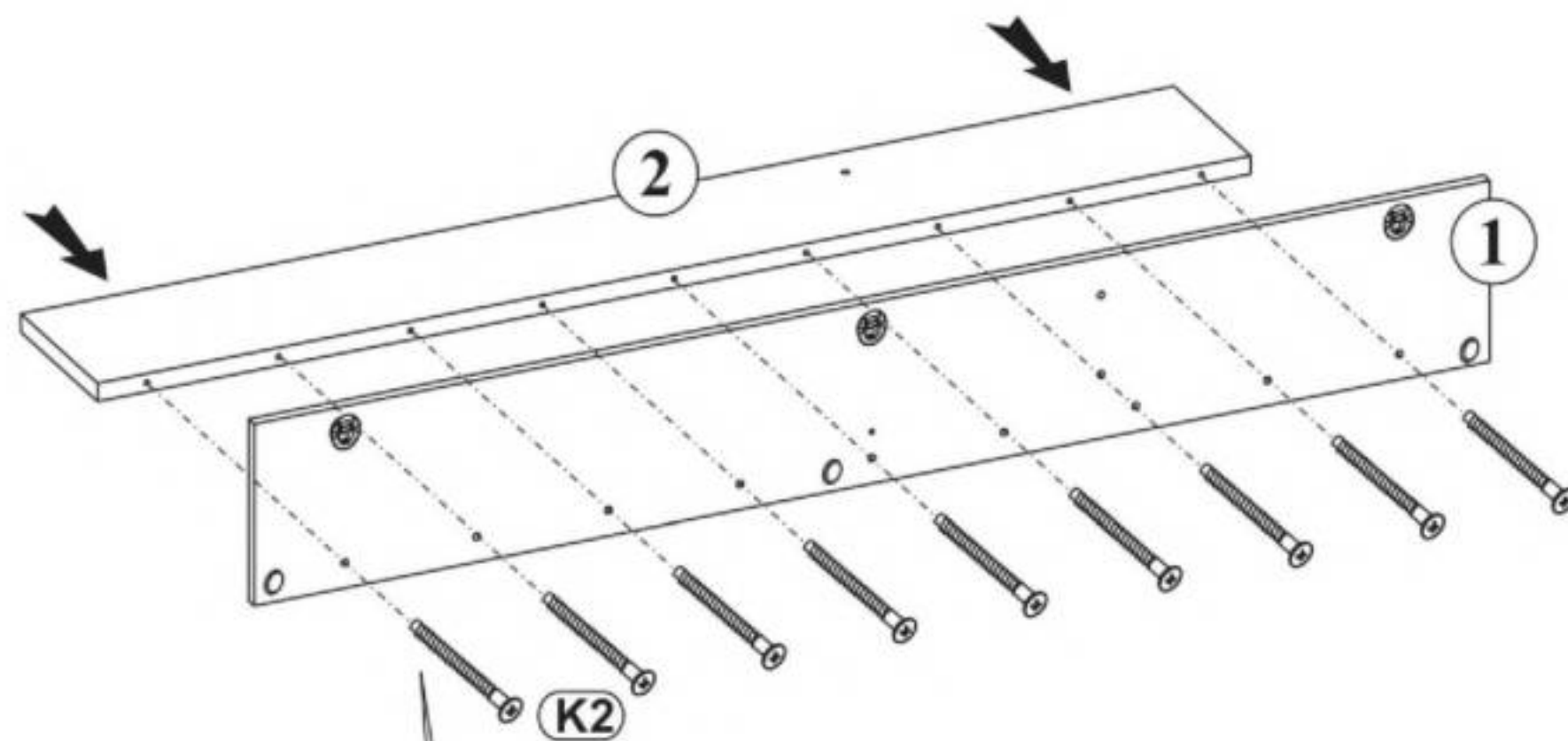
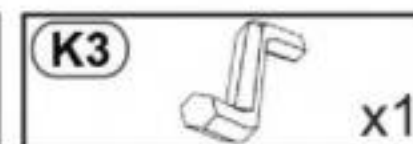
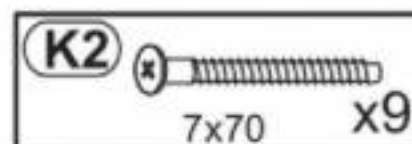
- NR 1**
- K2**  7x70 x9
 - K1**  7x50 x2
 - F50**  x3
 - E2**  5x11 x6
 - T10**  x3
 - T13**  10x50 mm x3
 - S25**  4x70 x1
 - S26**  8x50 mm x1
 - K3**  x1

- NR 2**
- C14**  x1
 - C18**  x3

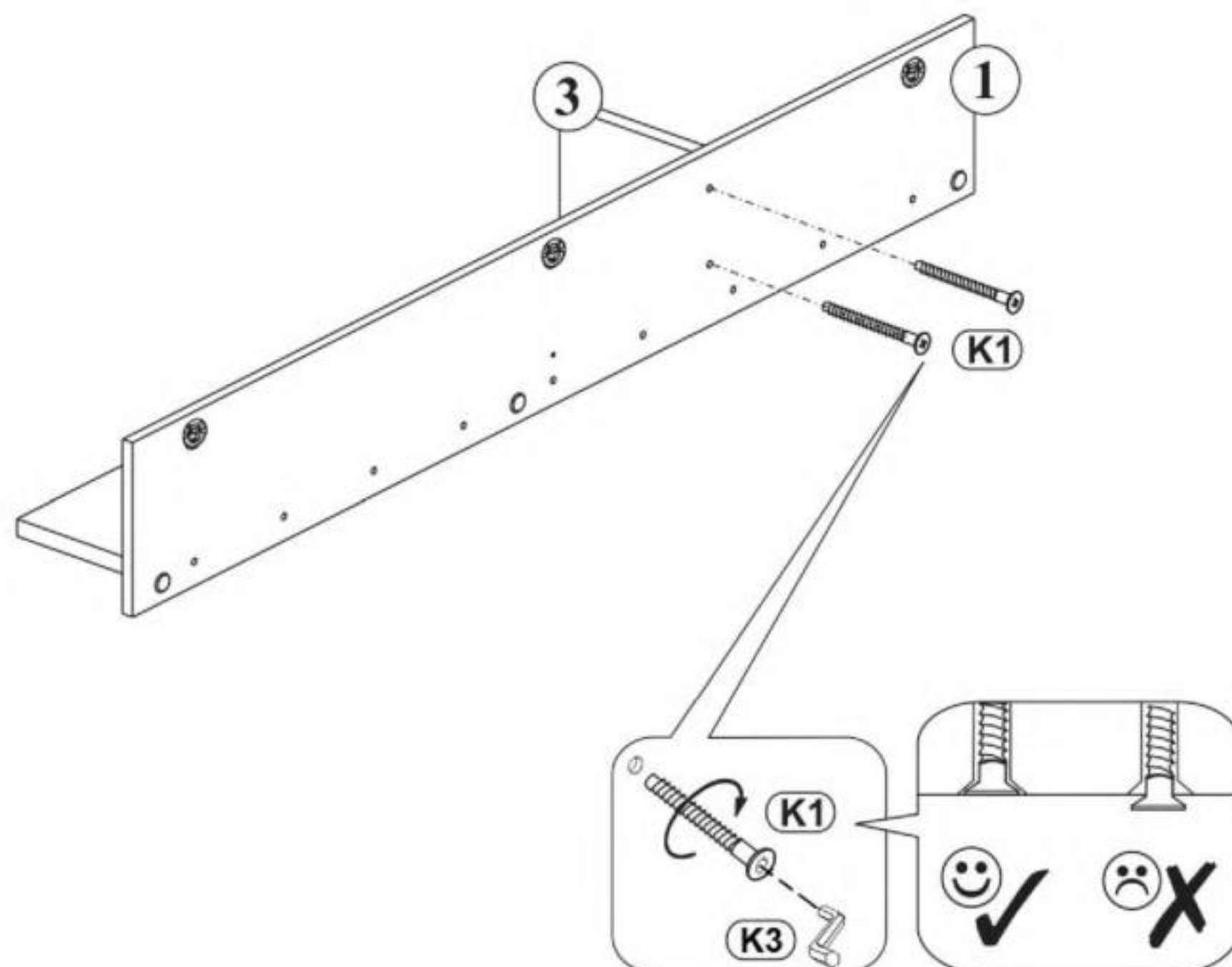
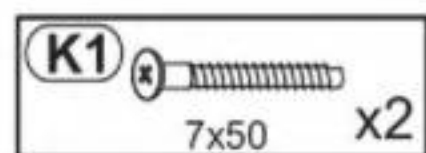
1



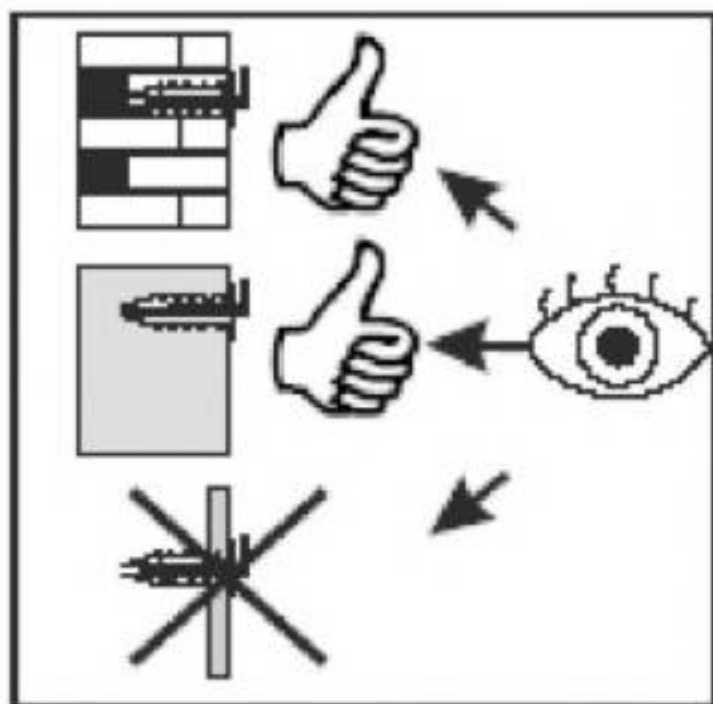
2



3



4



- T13** 10x50 mm x3
- T10** x3
- S25** 4x70 x1
- S26** 8x50 mm x1
- C14** x1

