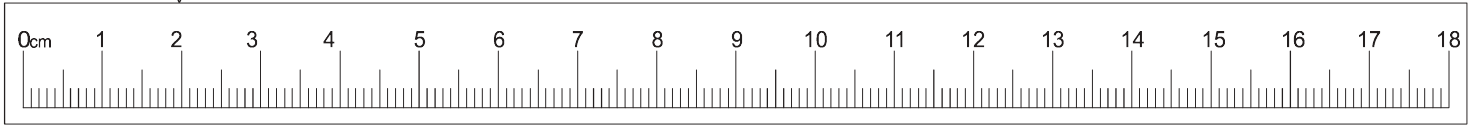
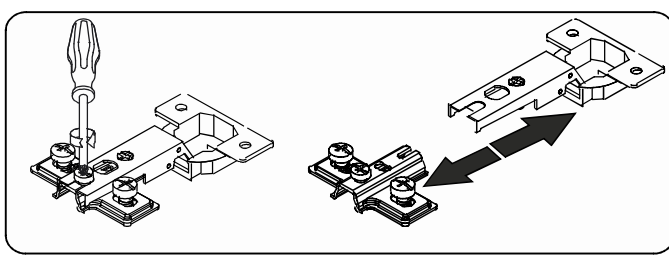


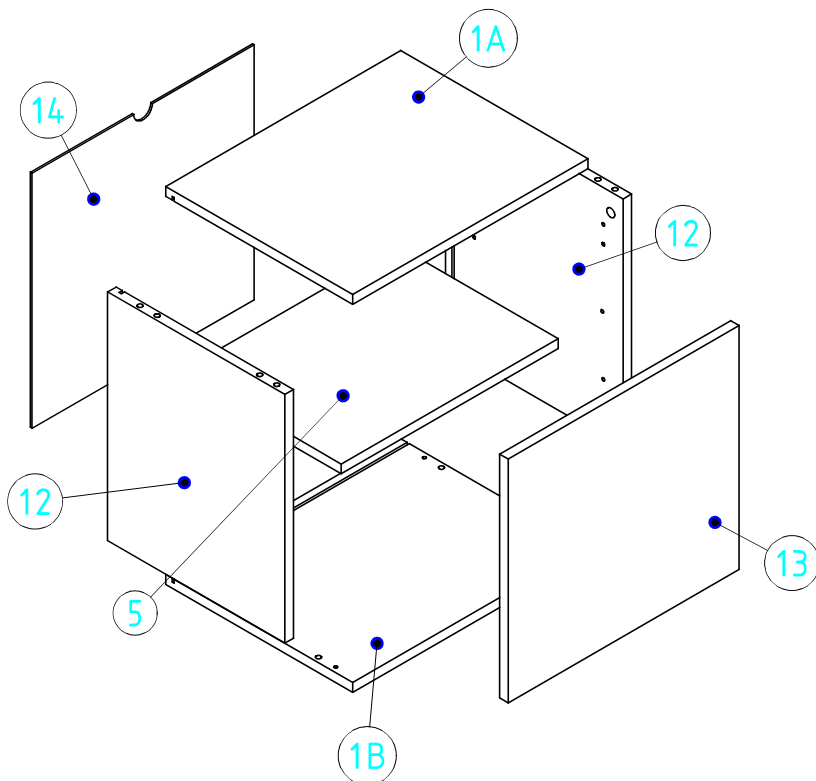
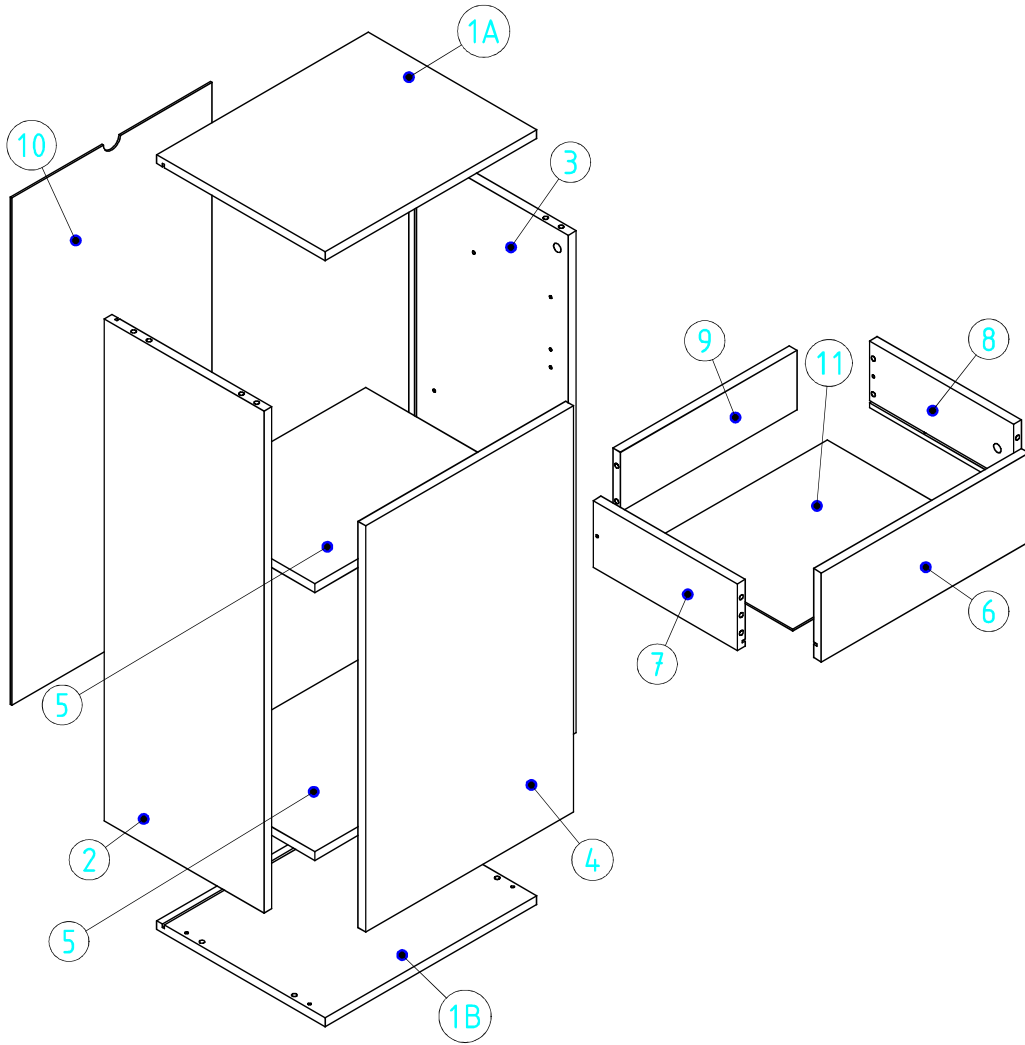
1/2



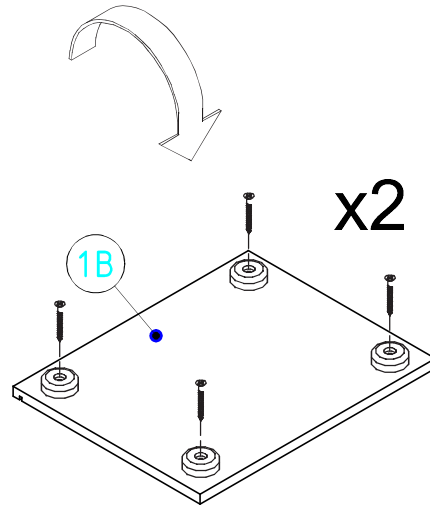
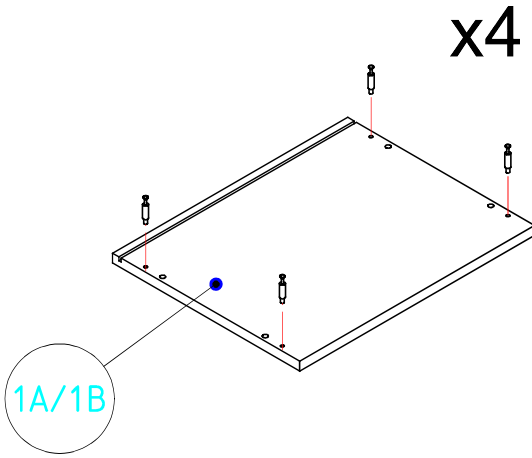
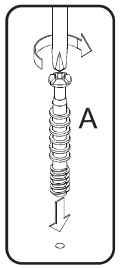
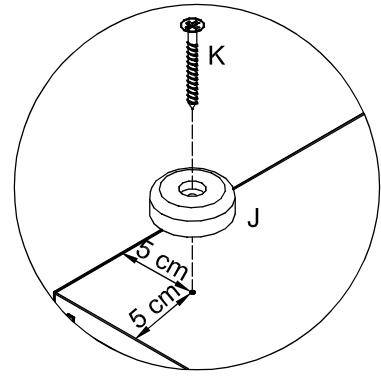
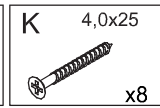
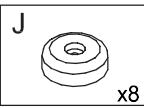
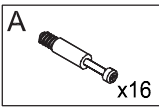
NR	L	W	T	COUNT	COLI
1A/1B	440	350	16	4	1/2
2	903	332	16	1	1/2
3	903	332	16	1	1/2
4	731	432	16	1	2/2
5	406	300	16	3	1/2
6	432	160	16	1	2/2
7	300	120	16	1	1/2
8	300	120	16	1	1/2
9	367	107	16	1	1/2
10	913	416	3	1	2/2
11	377	305	3	1	2/2
12	403	332	16	2	1/2
13	432	395	16	1	2/2
14	413	416	3	1	2/2
15	1500	440	16	1	2/2
16	1498	30	10	2	2/2
17	1498	30	10	8	2/2
18	1000	440	16+3	1	2/2



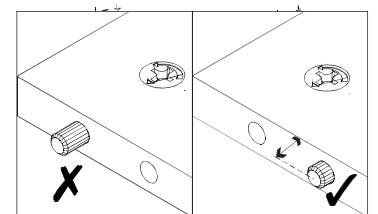
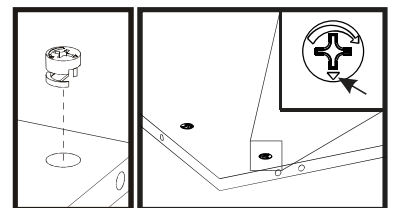
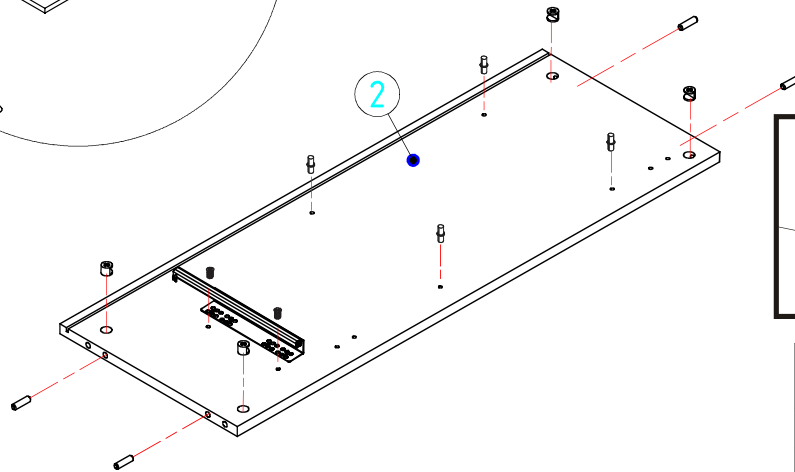
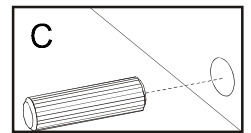
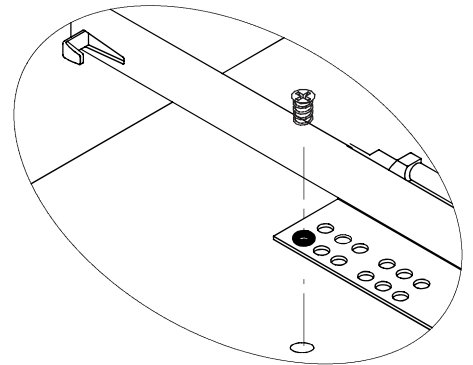
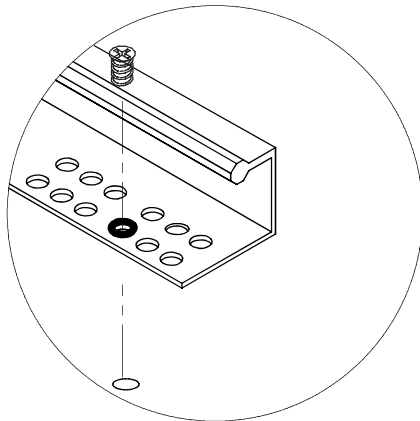
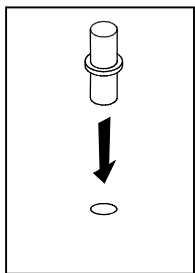
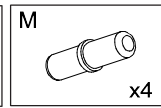
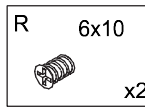
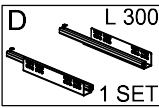
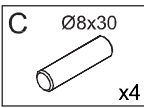
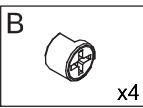
# BOTNÍK





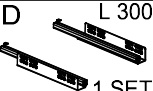


1

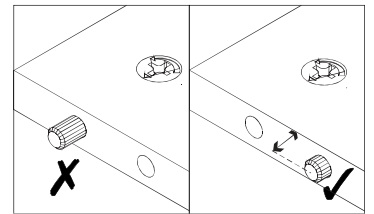
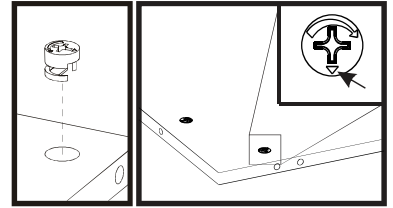
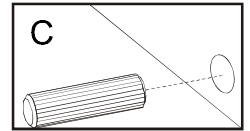
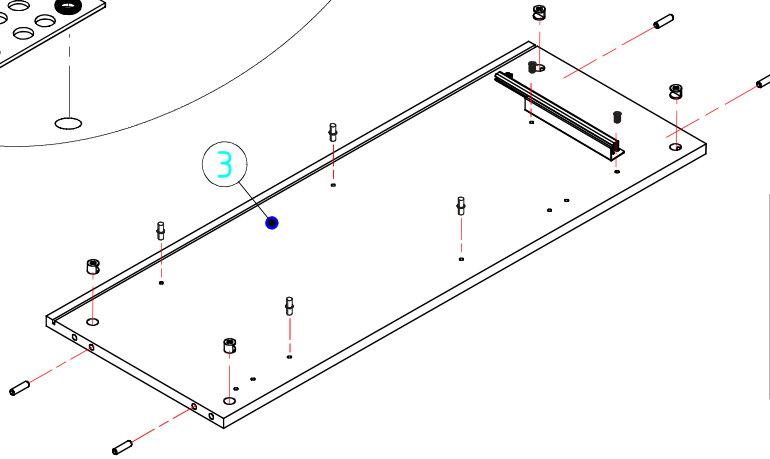
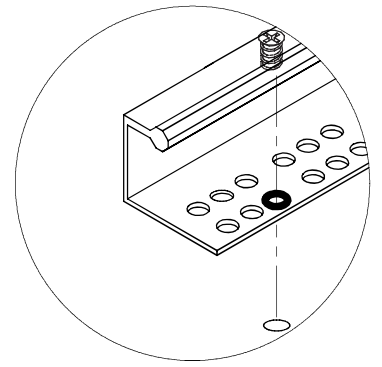
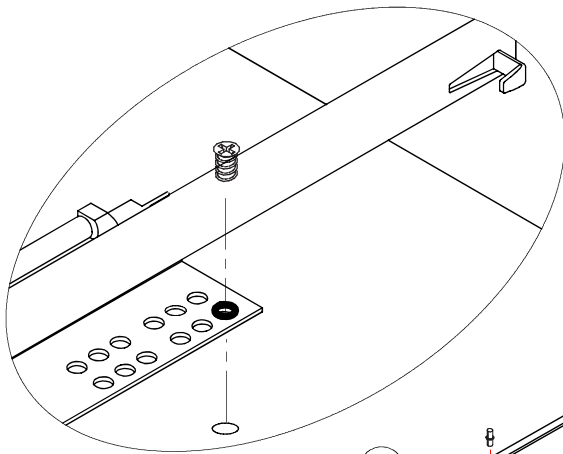
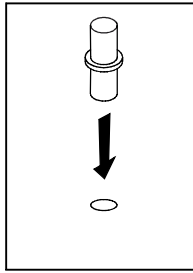


2



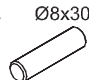


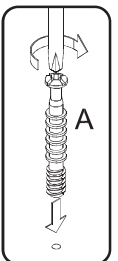
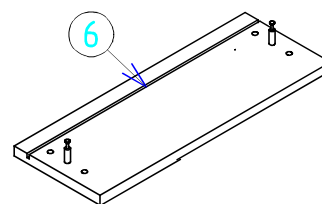
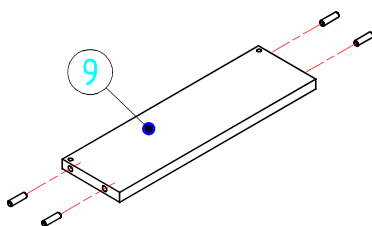
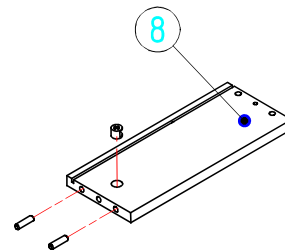
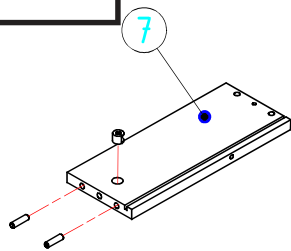
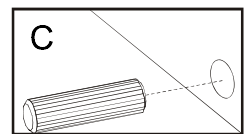
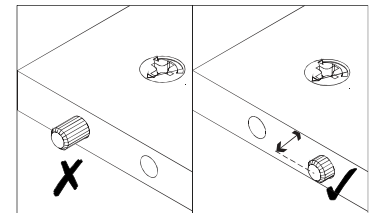
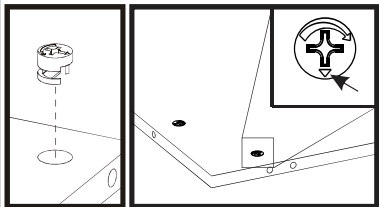
3

- B  x4
- C  Ø8x30 x4
- D  L 300 1 SET
- R  6x10 x2
- M  Ø8x30 x4

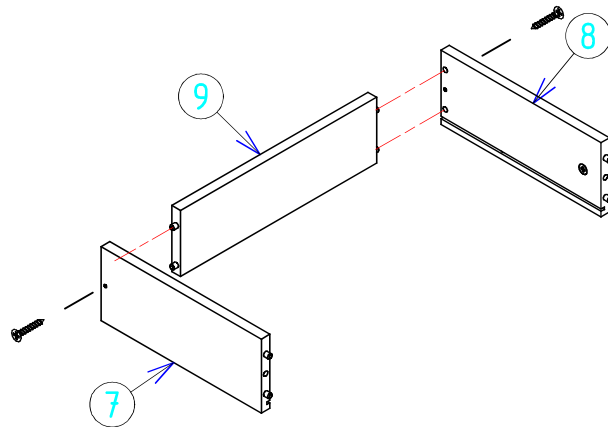
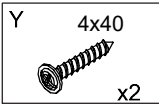


4

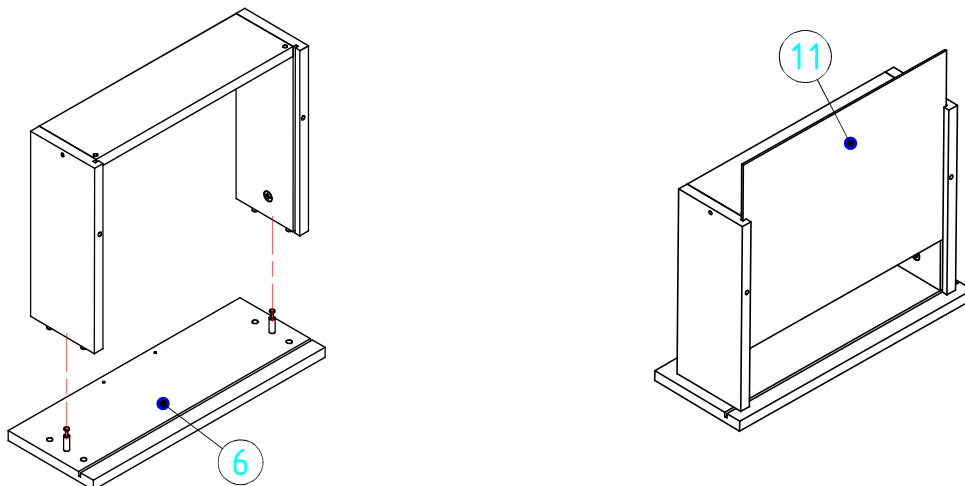
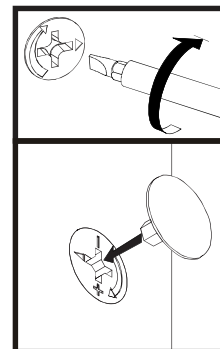
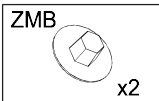
- A  x2
- B  x2
- C  Ø8x30 x8



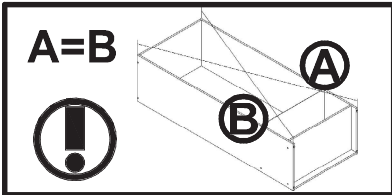
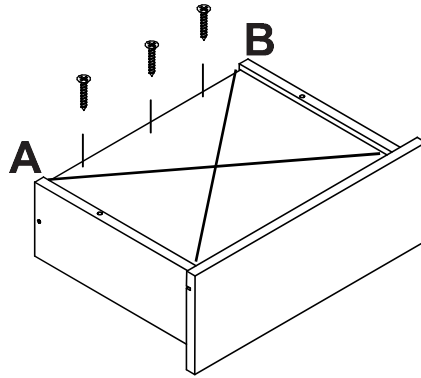
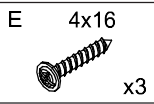
5



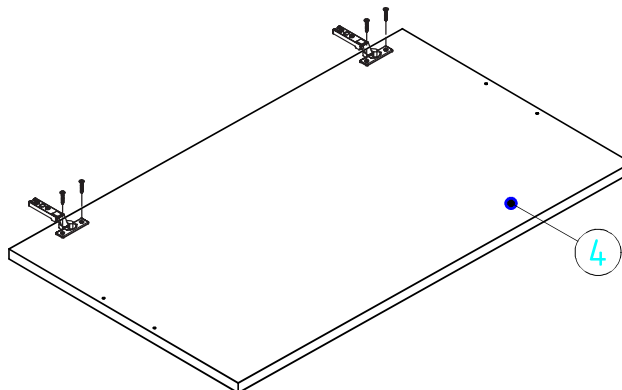
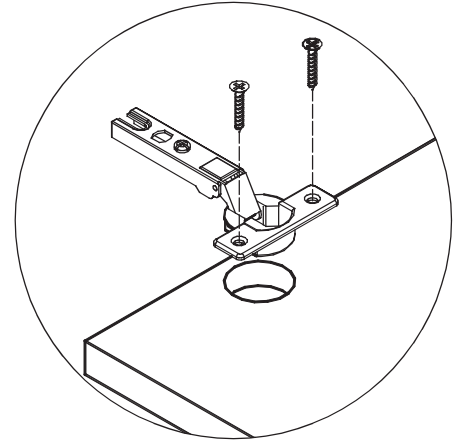
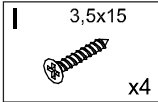
6



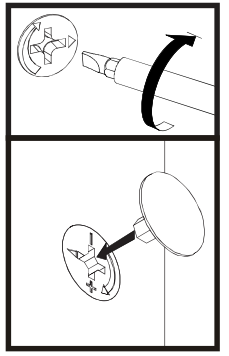
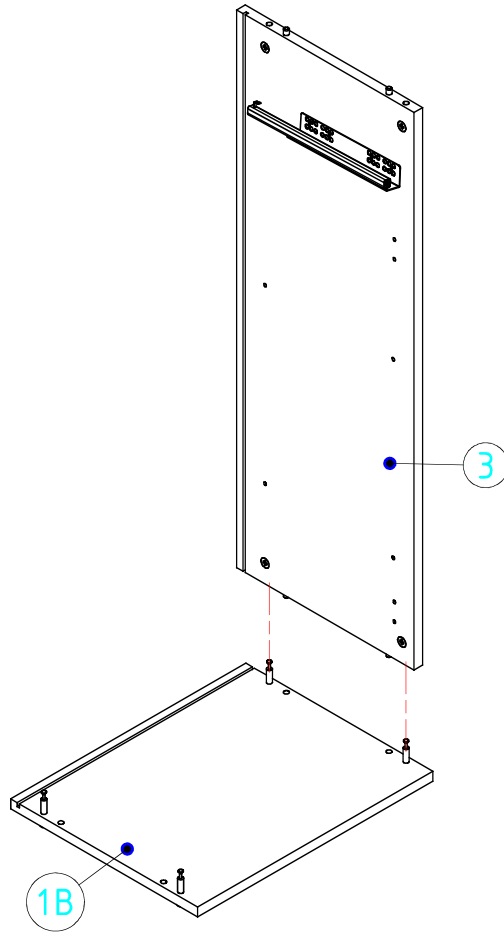
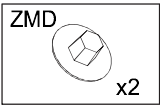
7



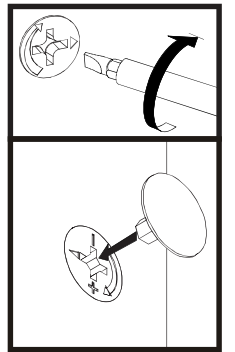
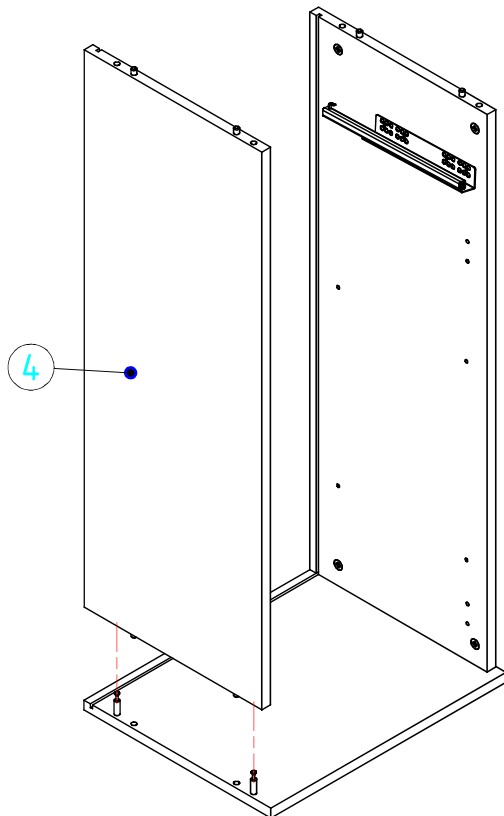
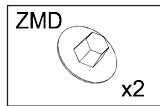
8



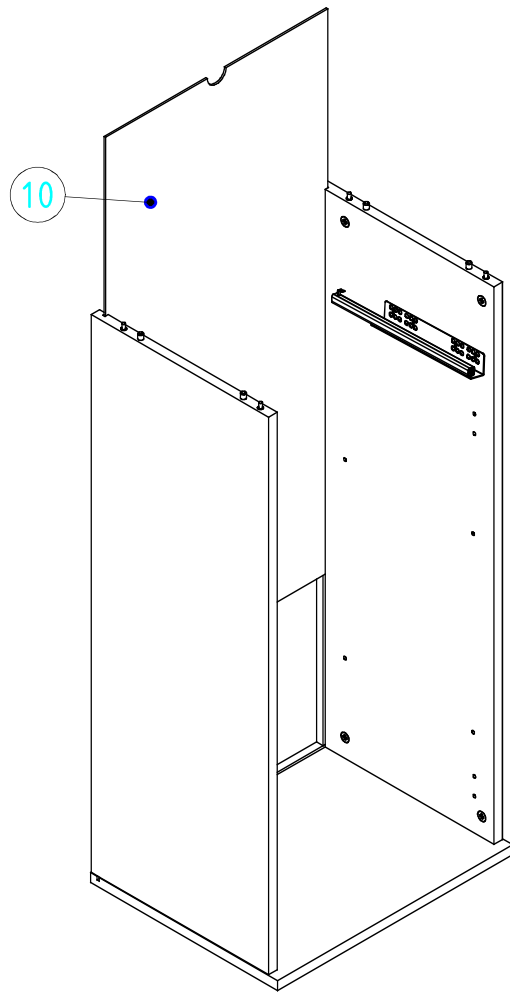
9



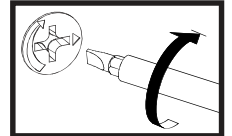
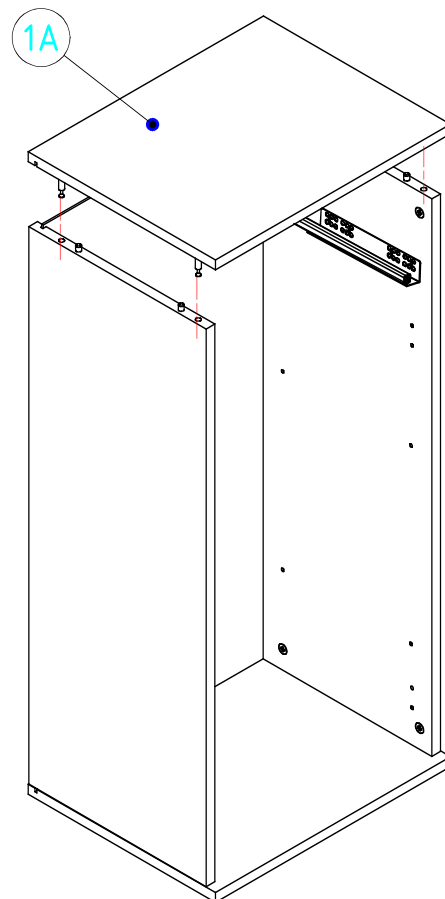
10



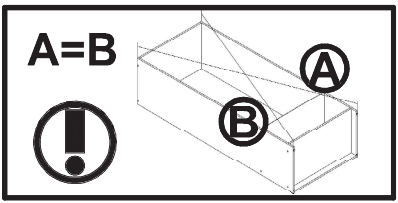
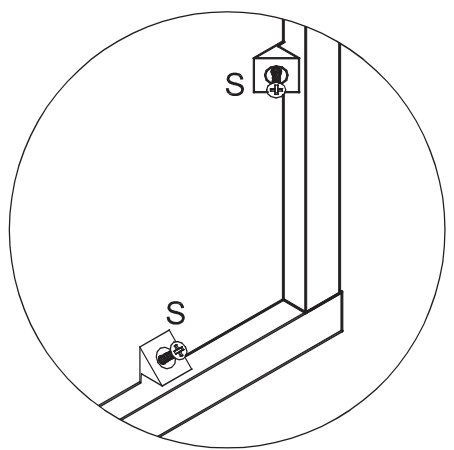
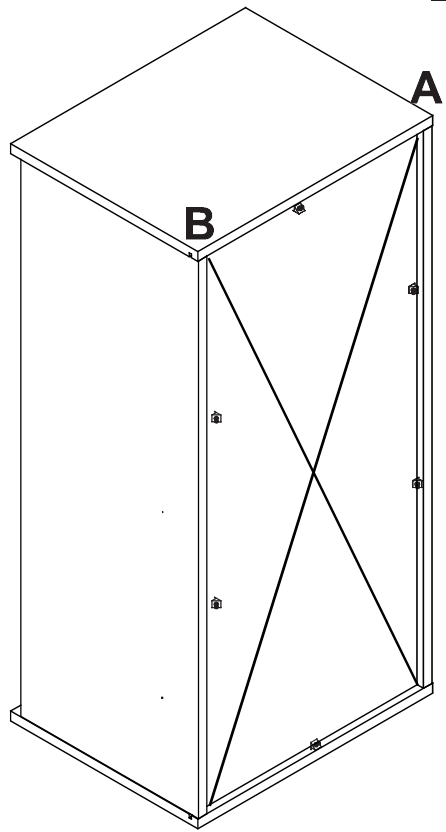
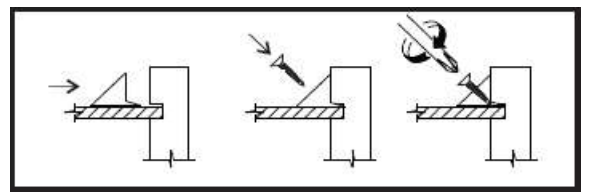
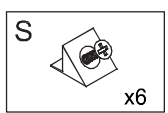
11



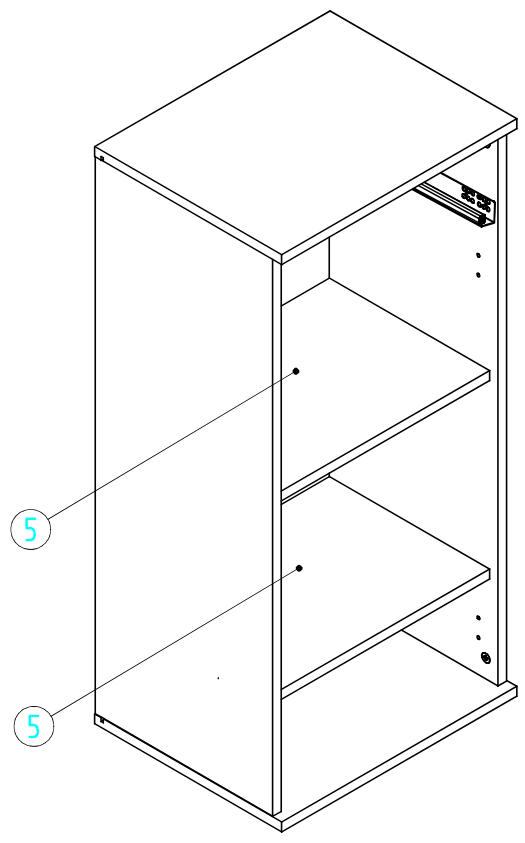
12



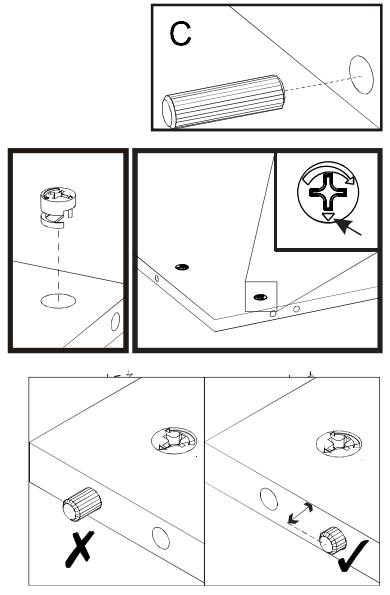
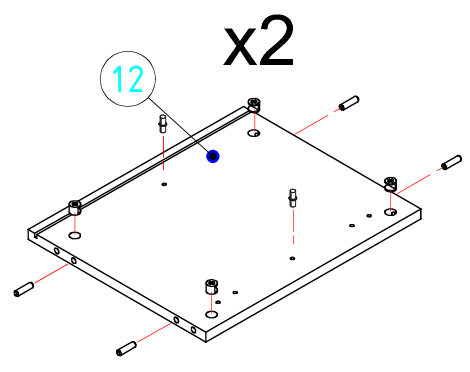
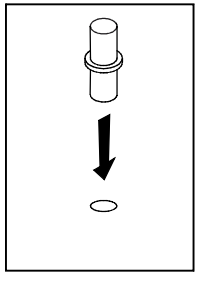
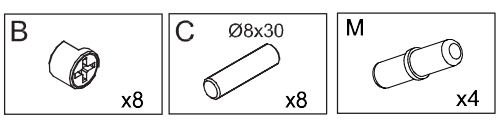
13



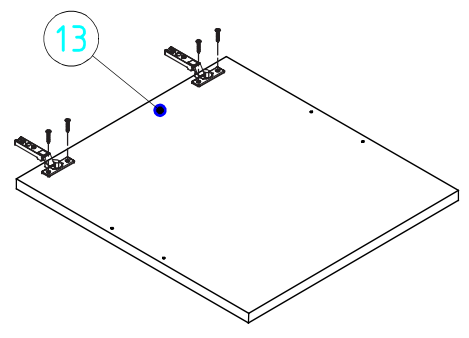
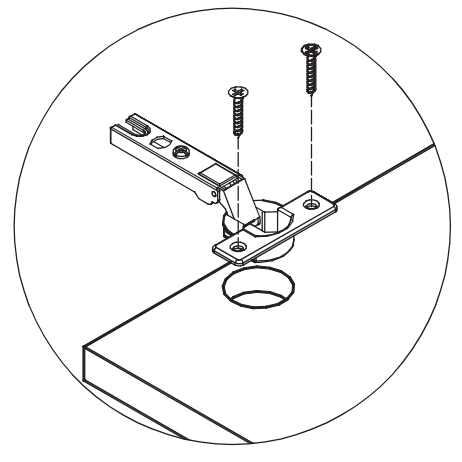
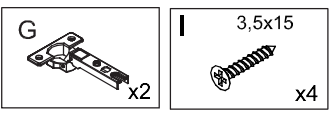
14



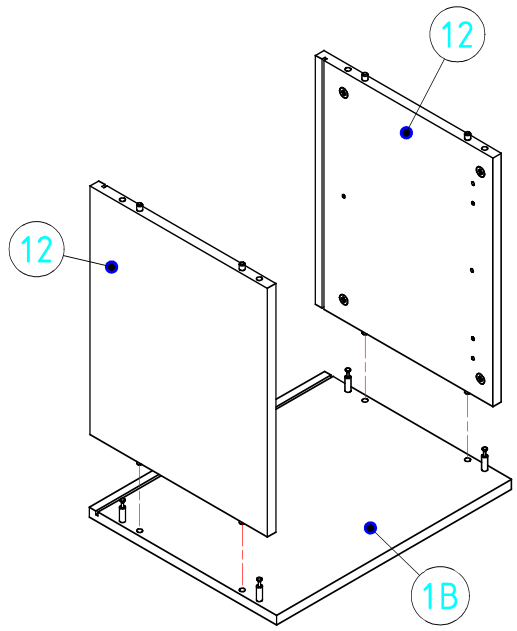
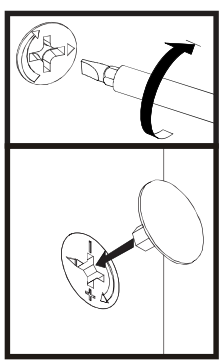
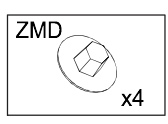
15



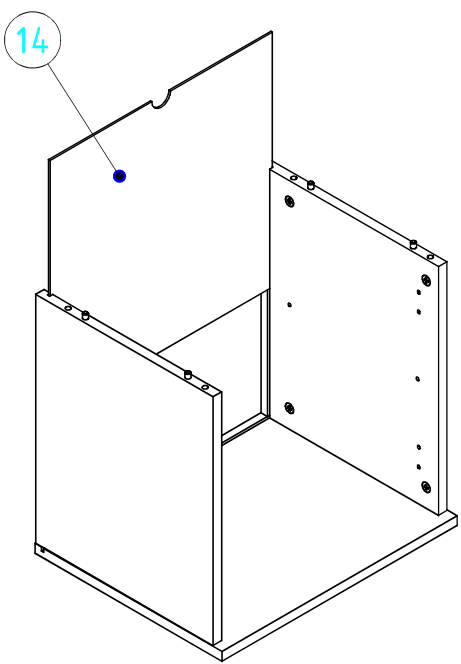
16



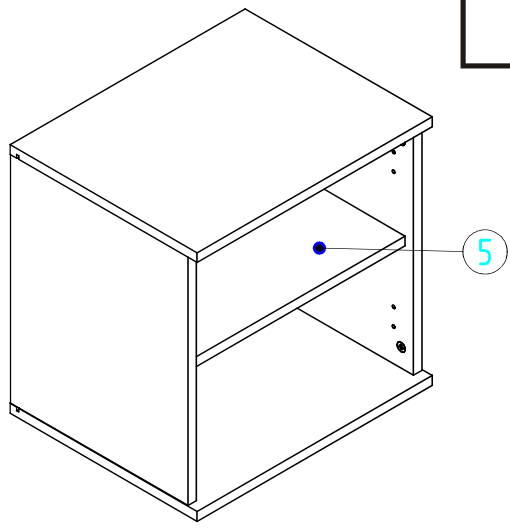
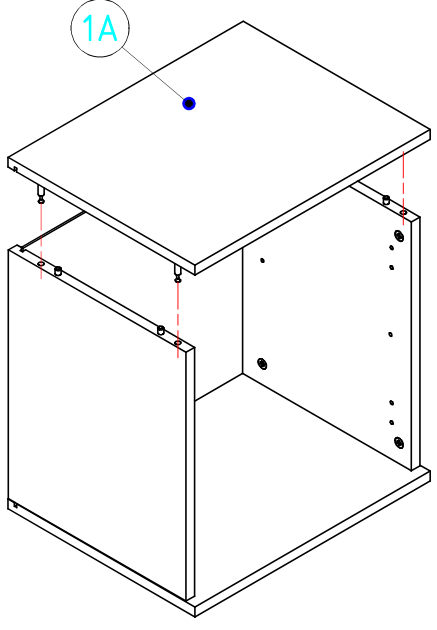
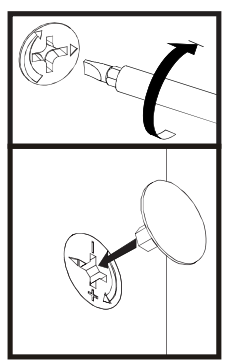
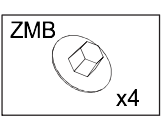
17



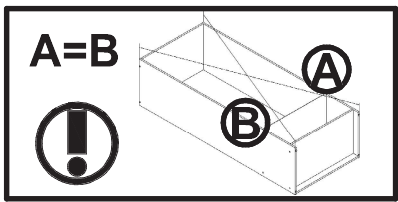
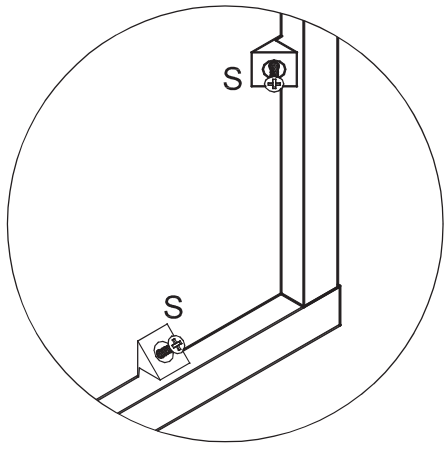
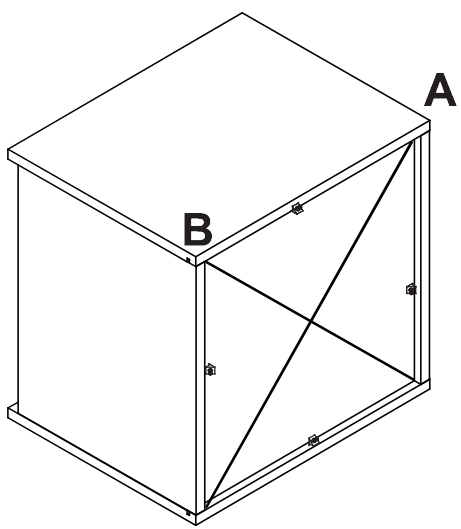
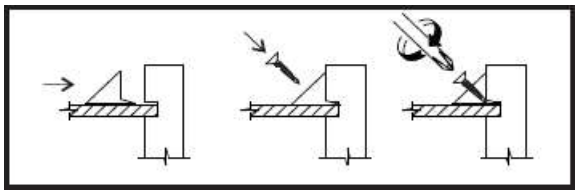
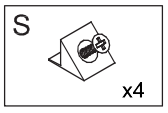
18



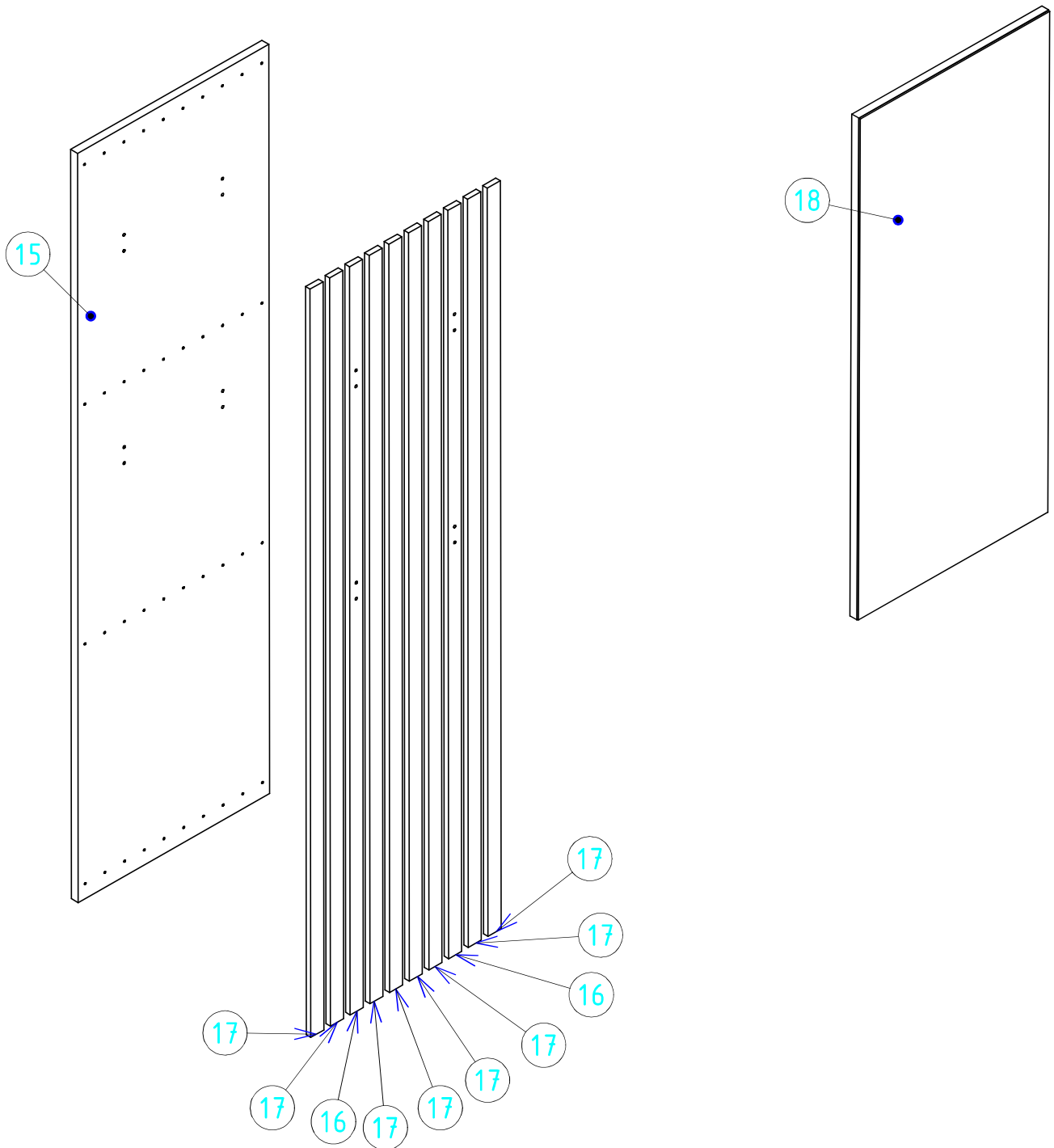
19



20

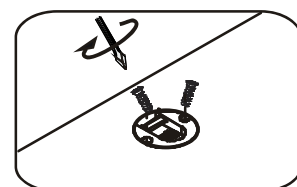
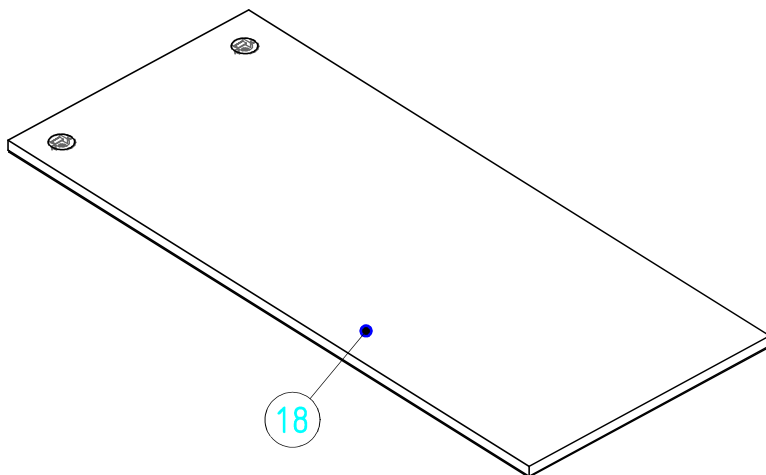


# PANEL A ZRKADLO



21

R 6x10  
x4



22

N



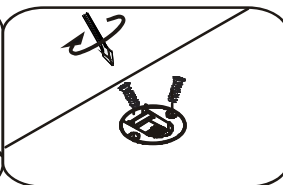
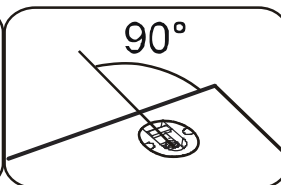
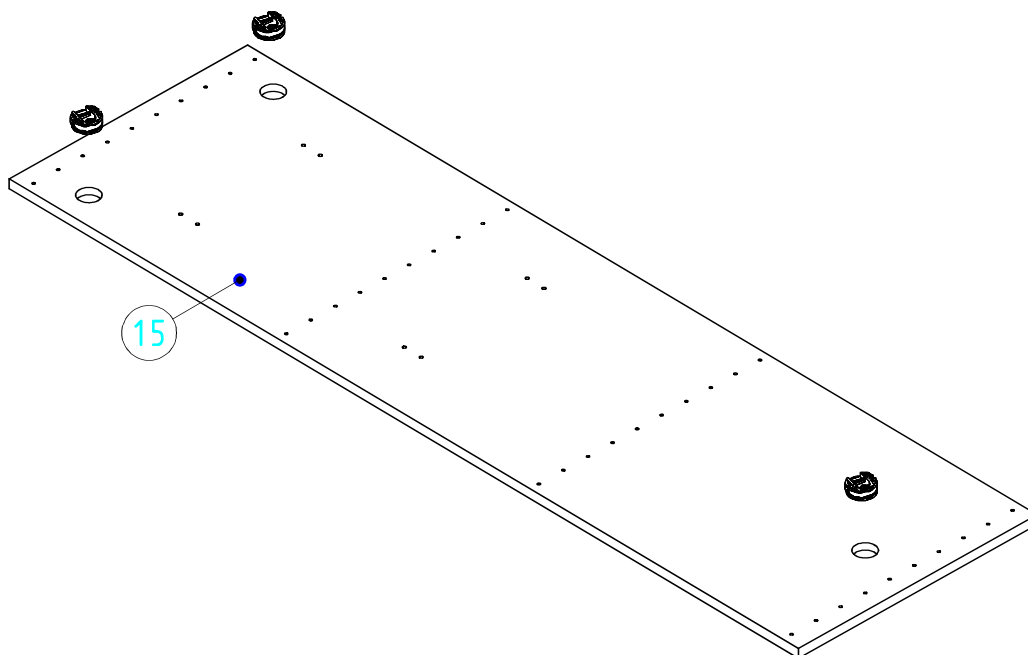
x3

R

6x10



x6

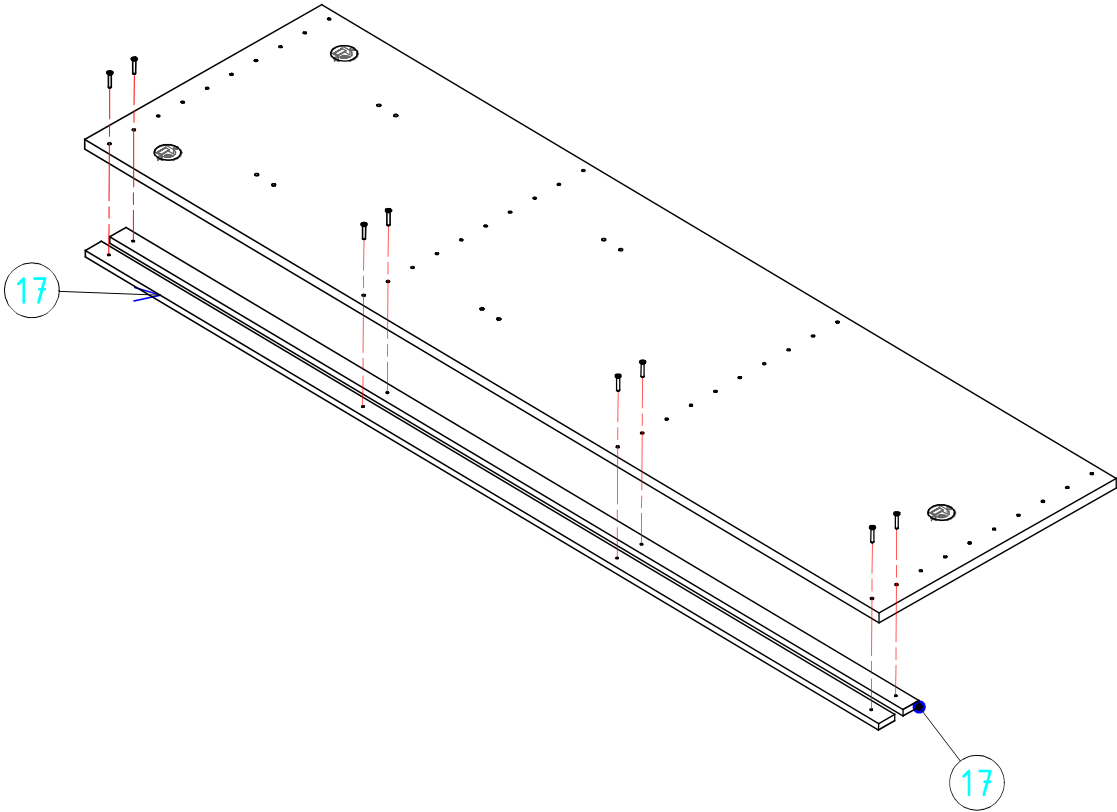
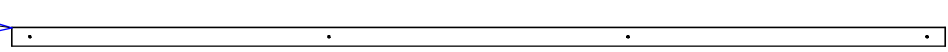


23

W 4x25  
x8

17

16

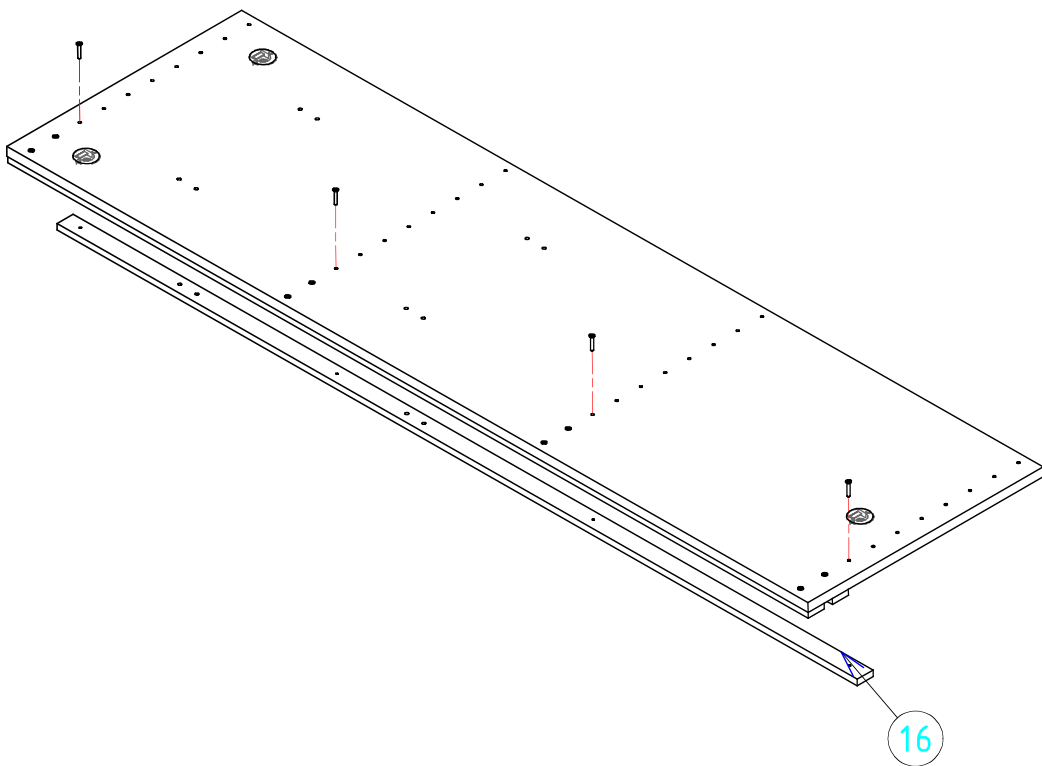
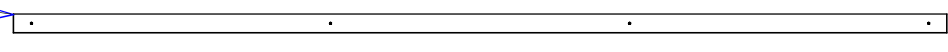


24

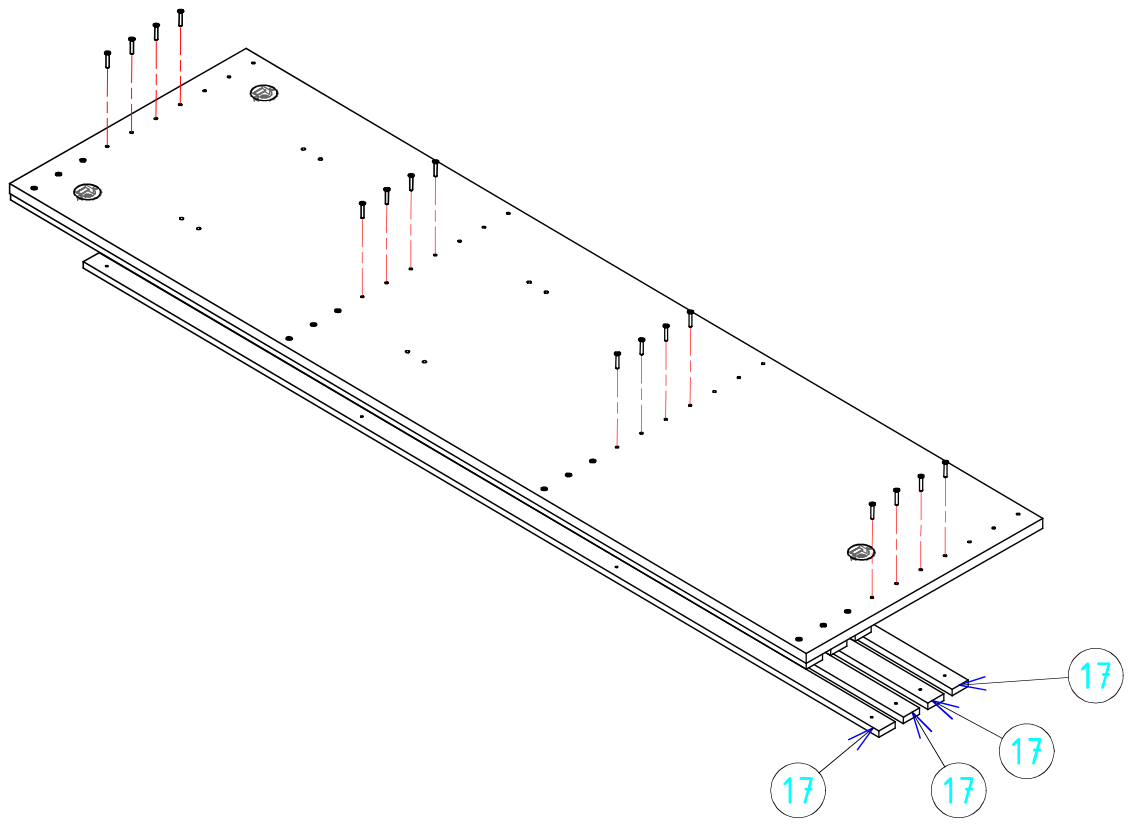
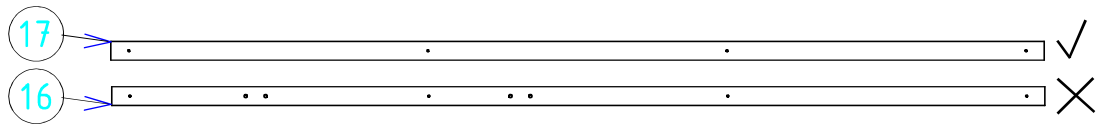
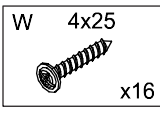
W 4x25  
x4

17

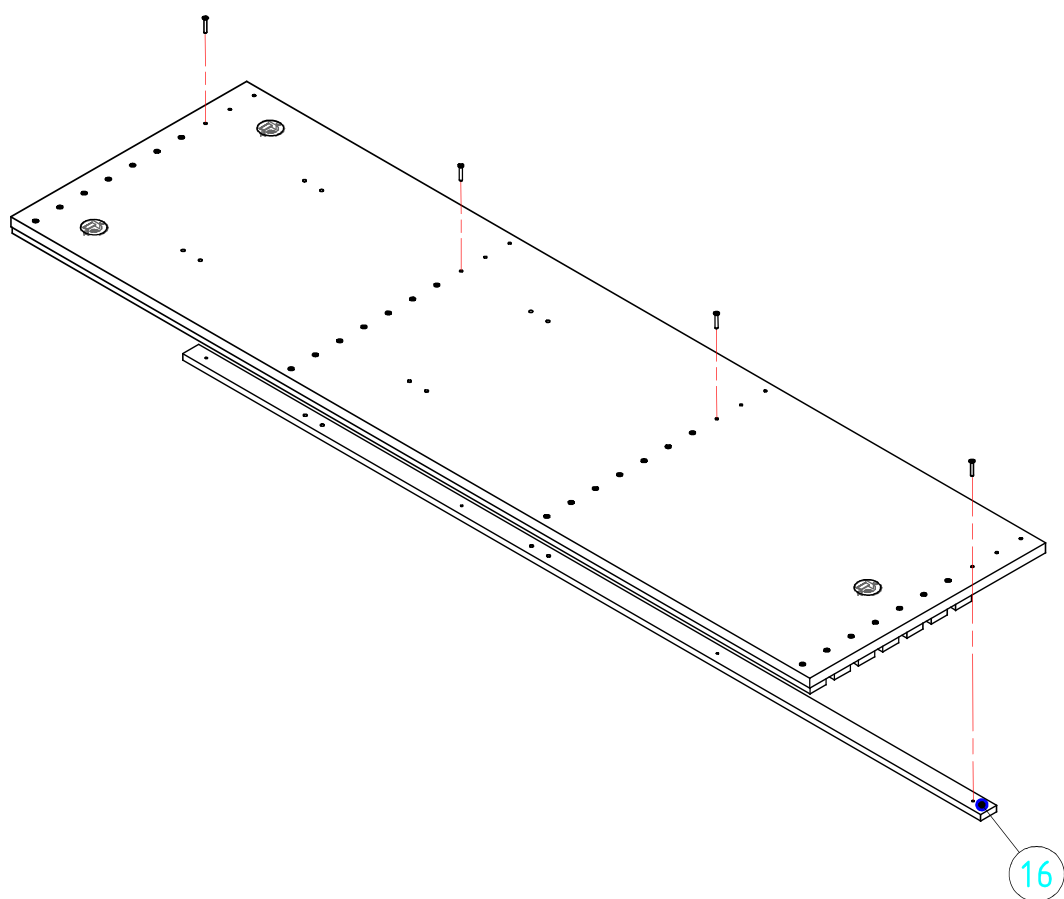
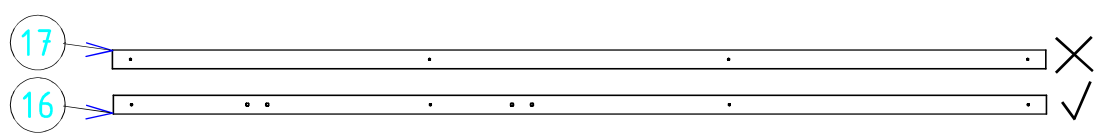
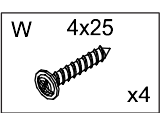
16



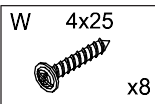
25



26

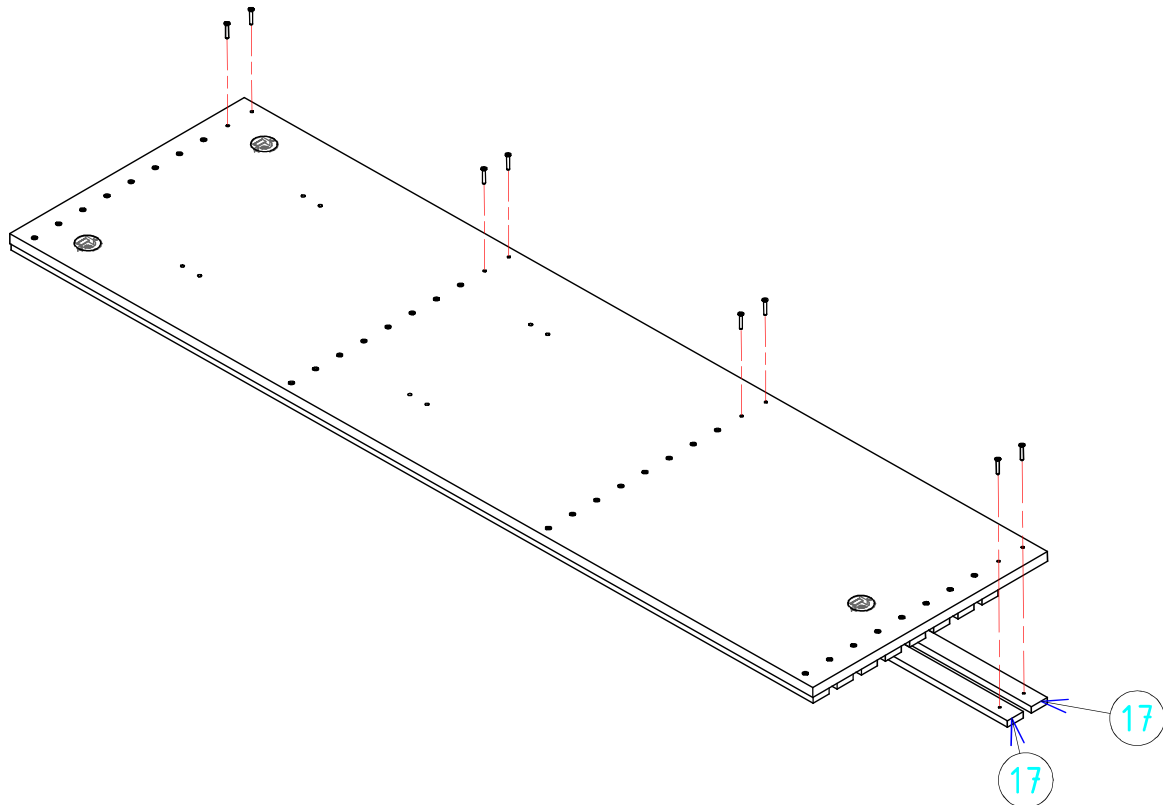
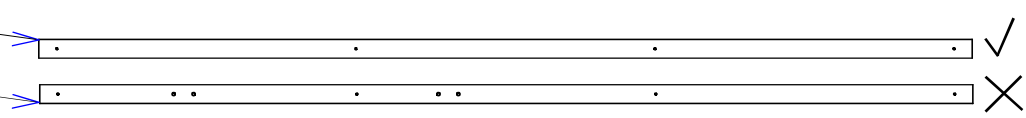


27

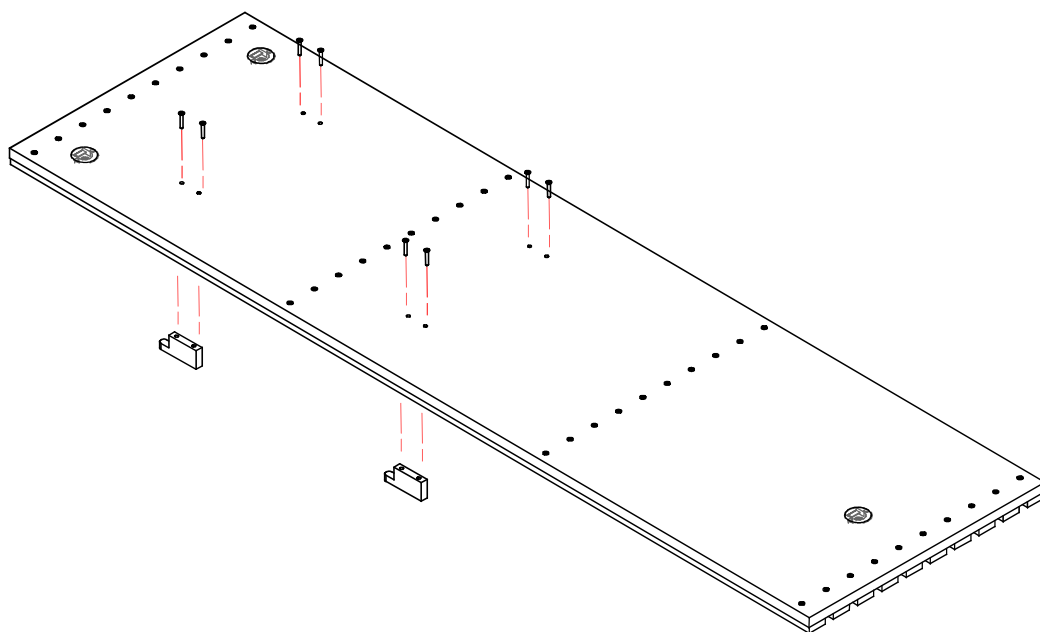
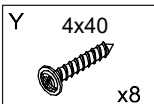
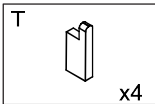


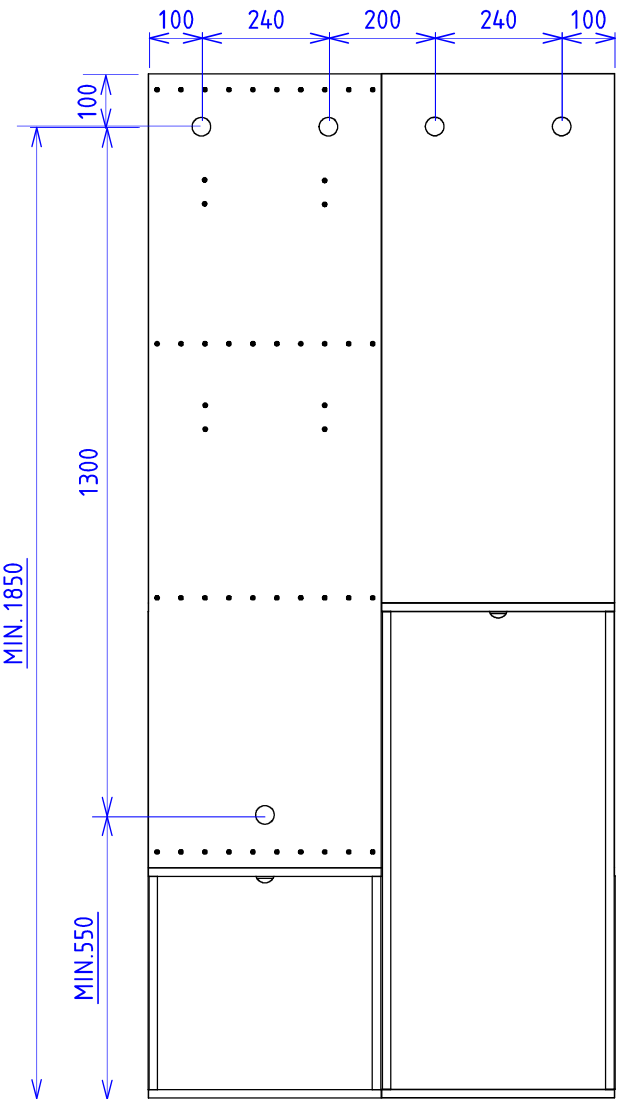
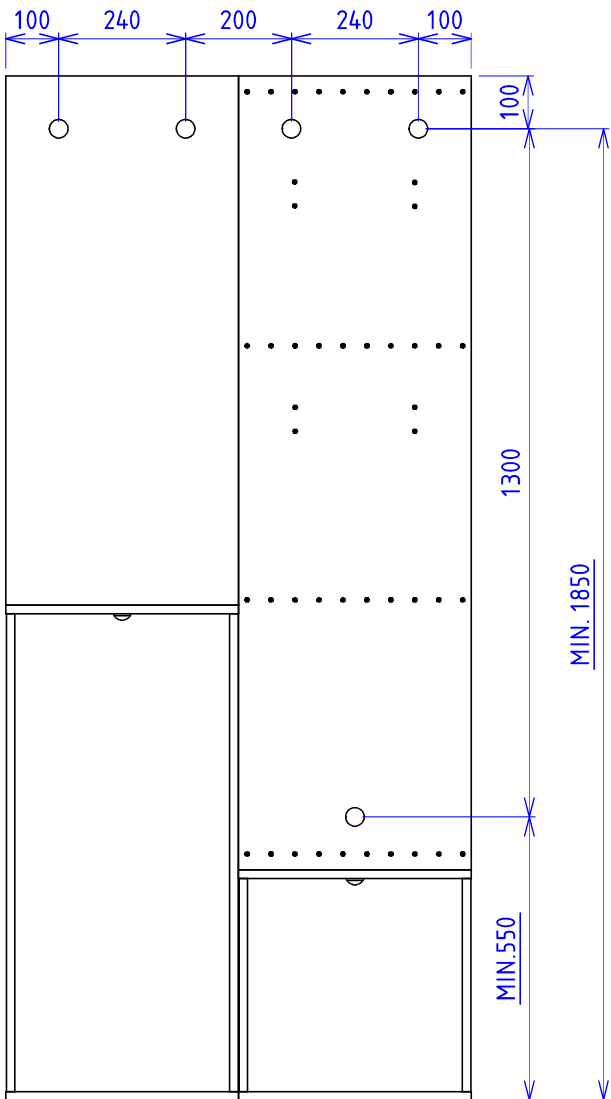
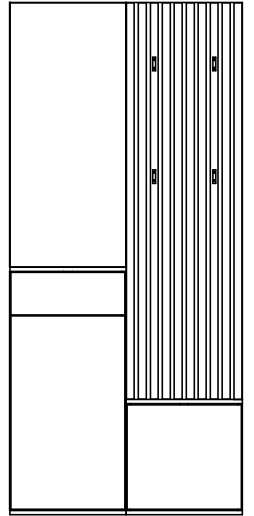
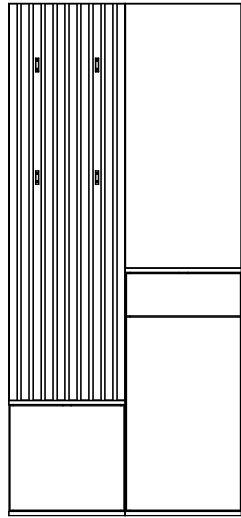
17

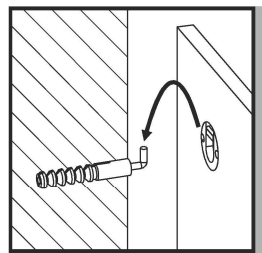
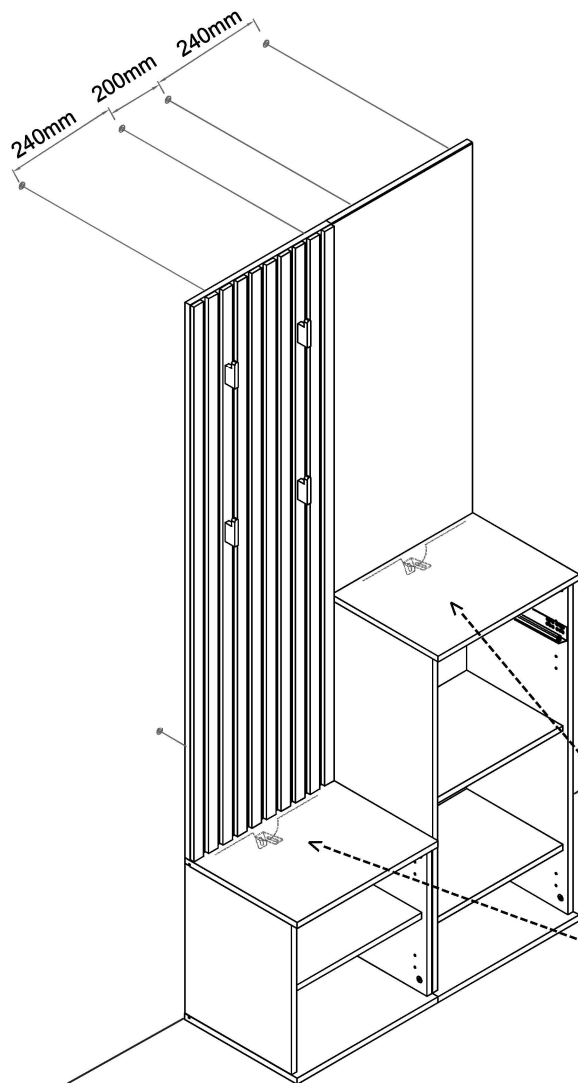
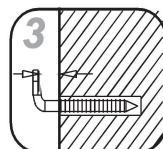
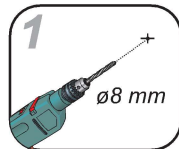
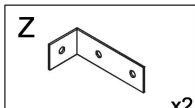
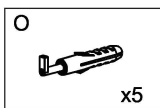
16



28







**!**

**1**

**2**

**3**

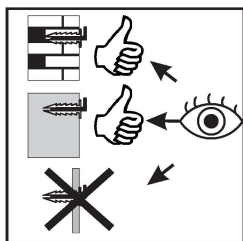
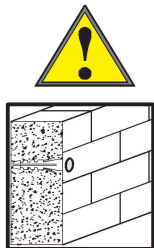
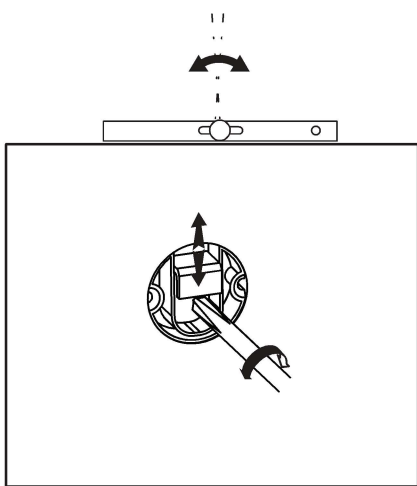
**4**

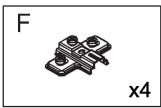
**5**

**6**

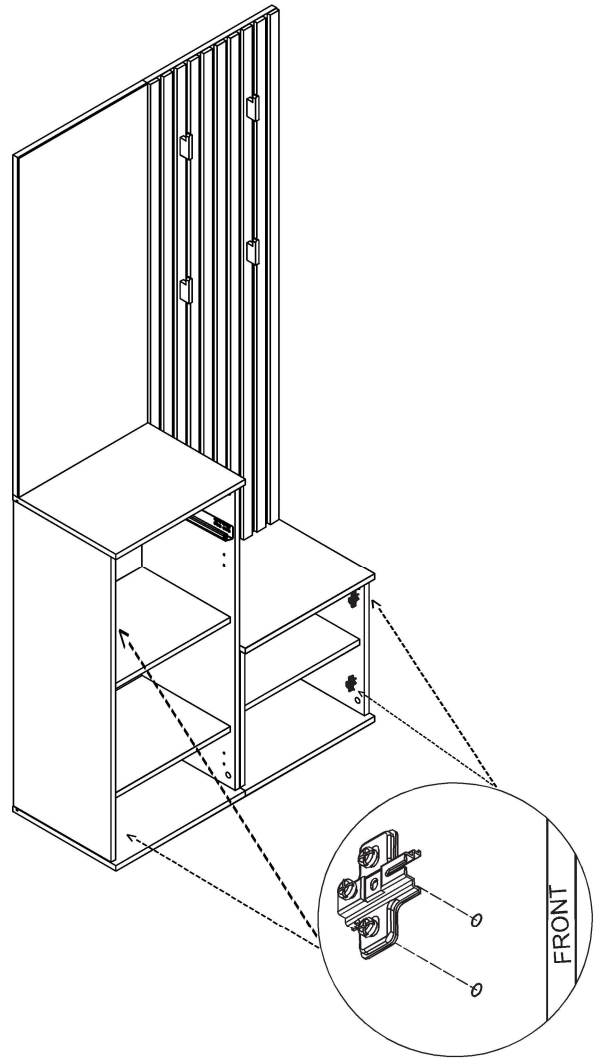
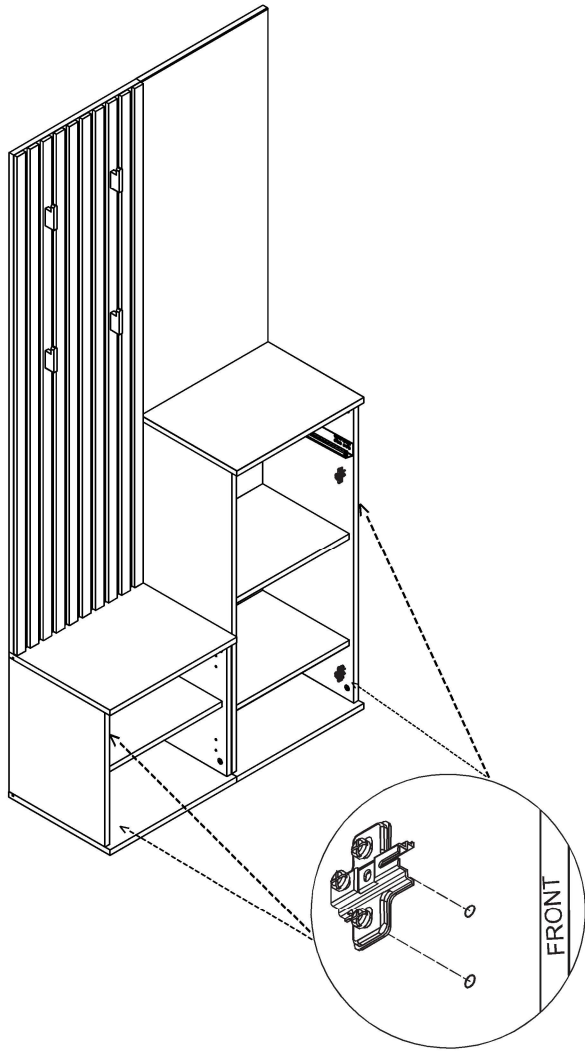
**7**

**8**





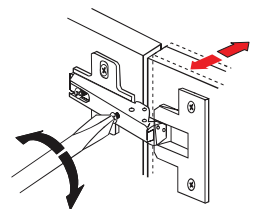
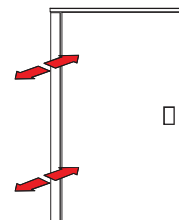
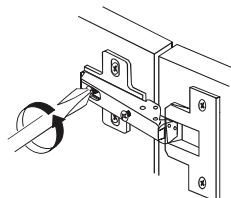
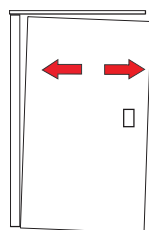
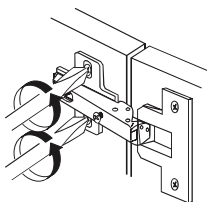
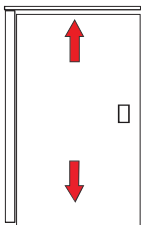
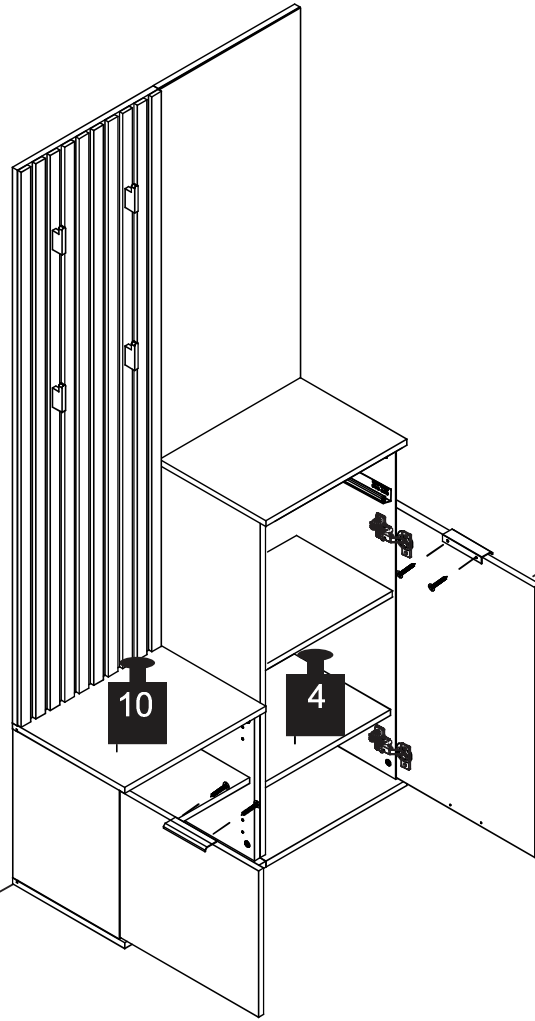
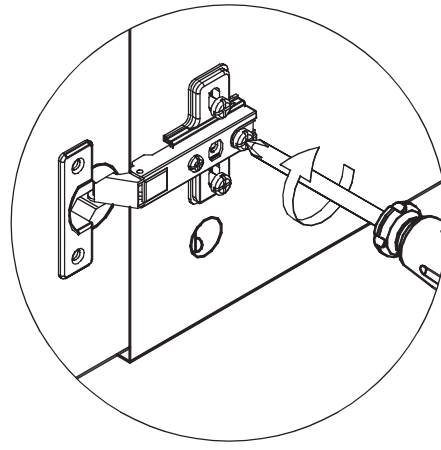
# ĽAVÁ ALEBO PRAVÁ VARIANTA



31

E 4x16  
x4

U  
x2



31

E 4x16  
x2

U  
x1

H 3x16  
x2

