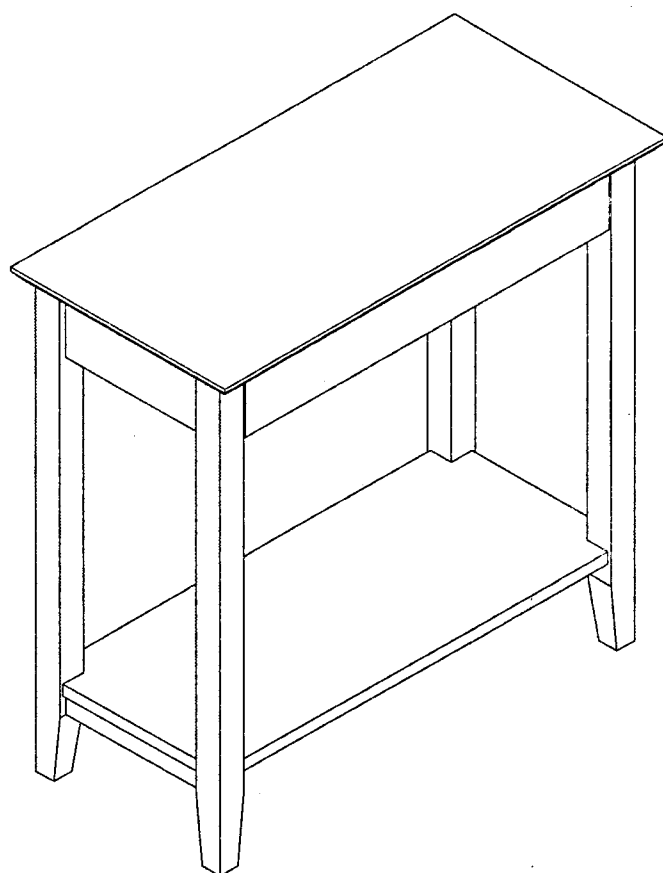
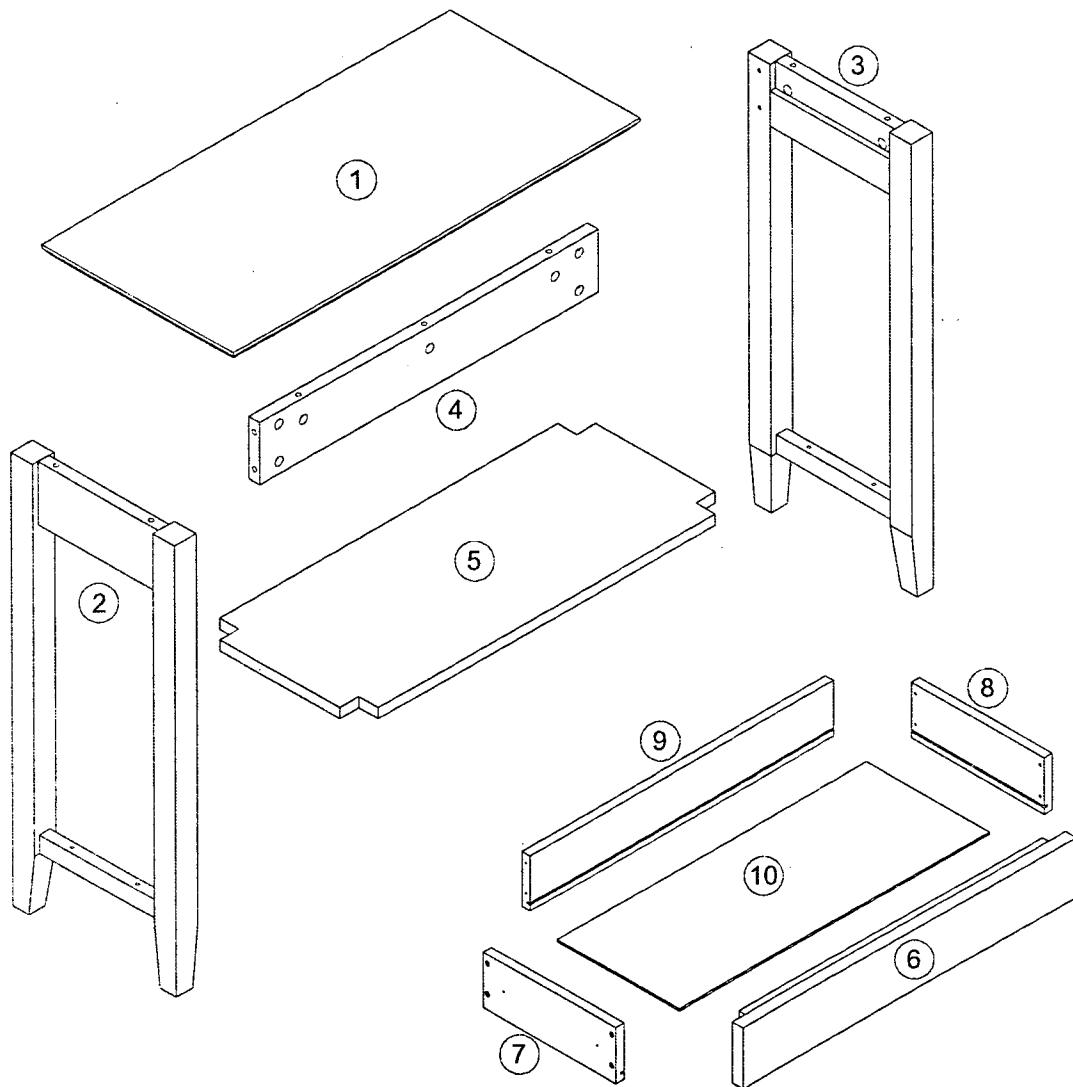




# MONTÁŽNÍ/MONTÁŽNY NÁVOD






Ax11 


Bx11 


Cx4 

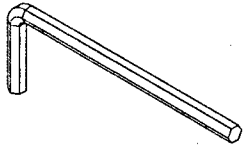
Dx4 

Ex4 

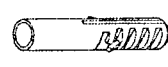
Fx9 

Gx12 

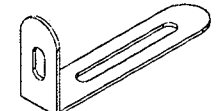
Hx2 

Jx1 

Kx4 

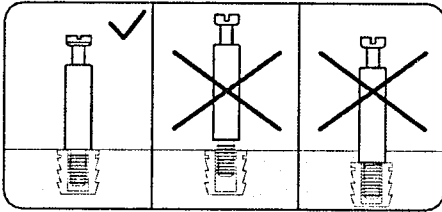
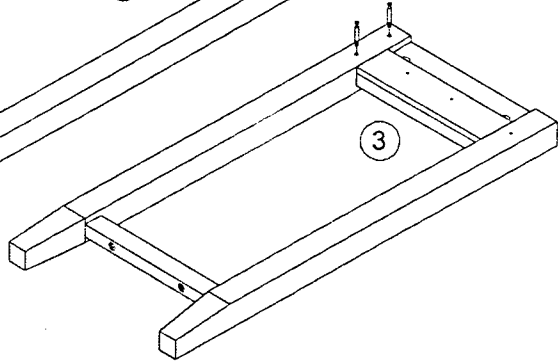
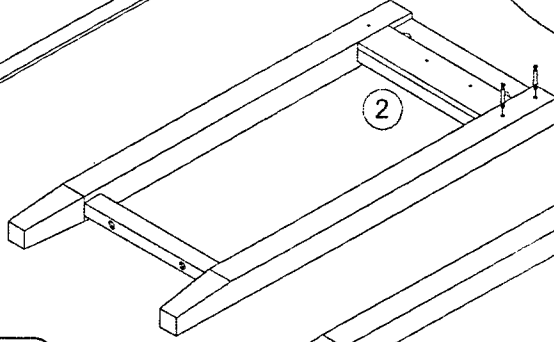
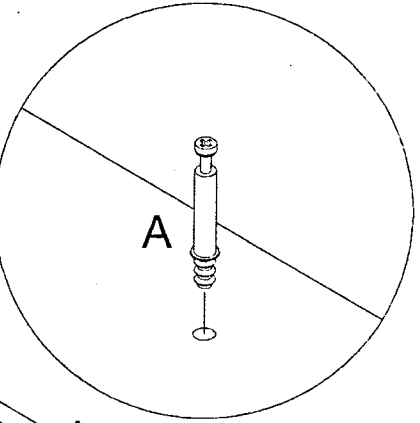
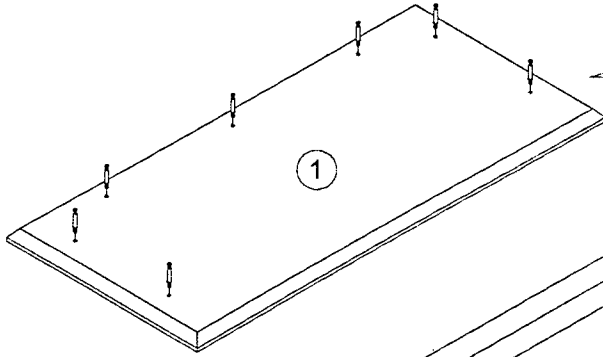
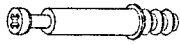
Lx1 

Mx1 

Nx1 

# 1

Ax11

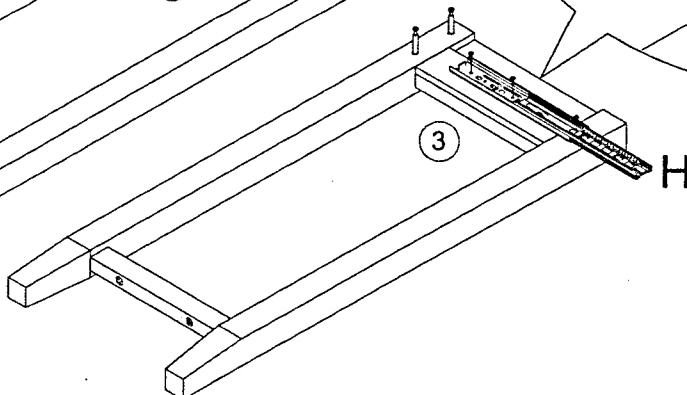
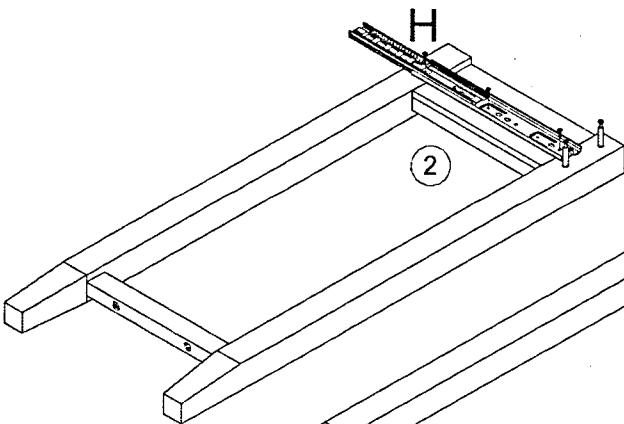
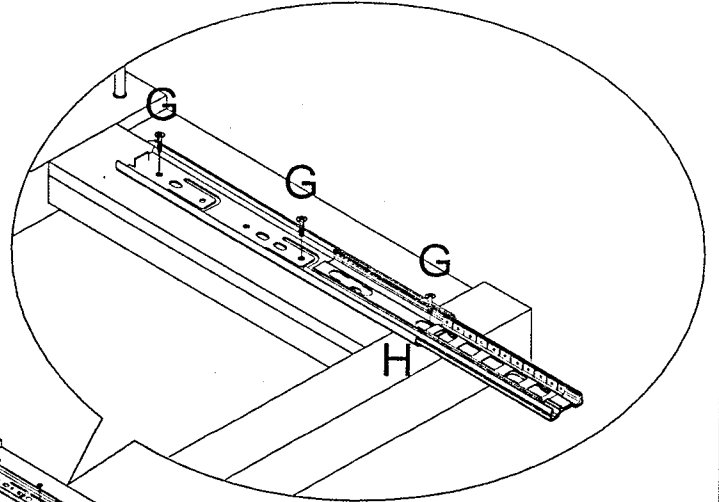
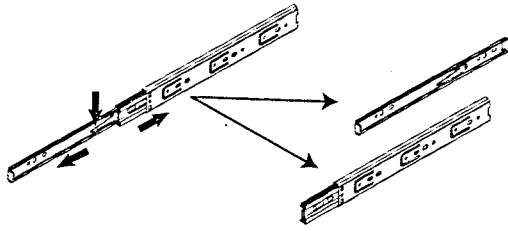
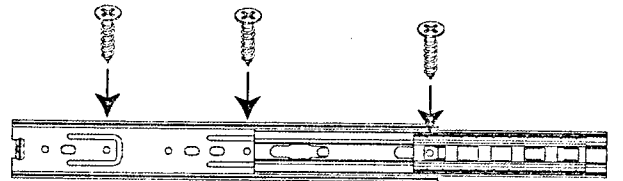


# 2






Gx6

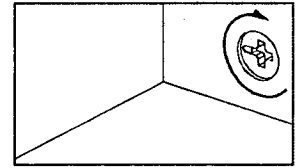
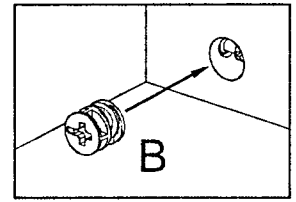
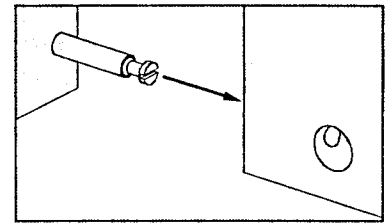
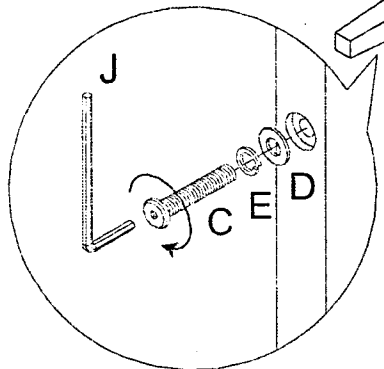
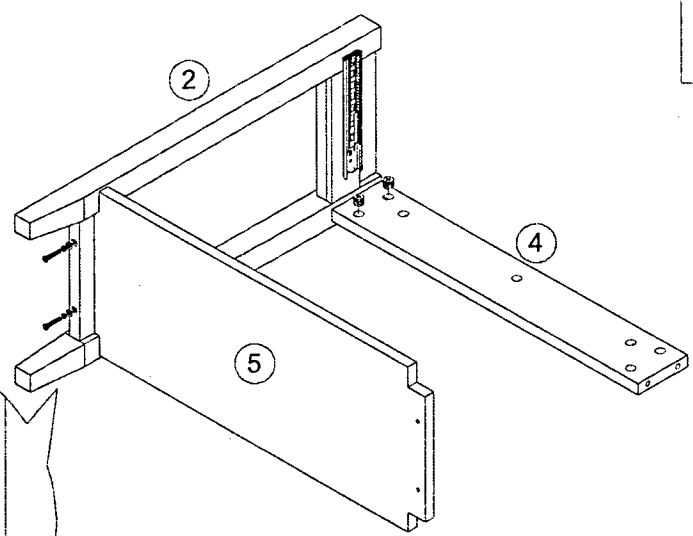
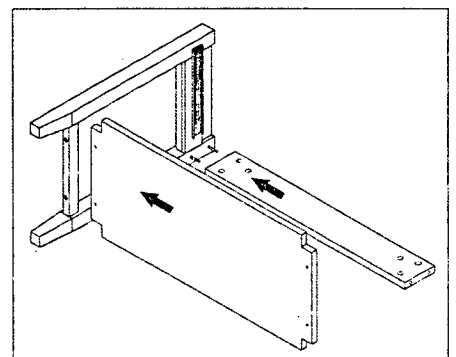


Hx2








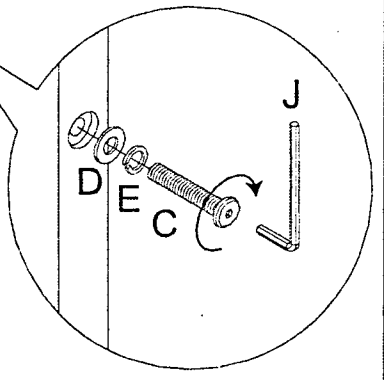
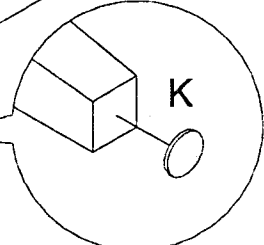
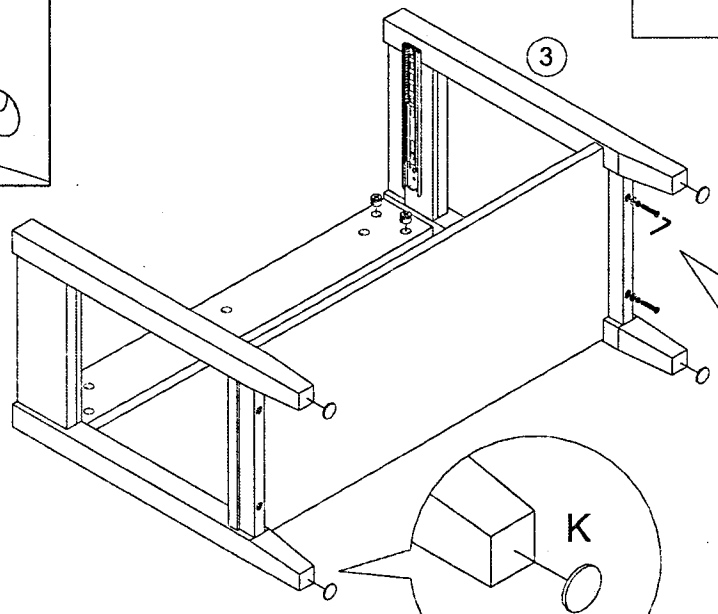
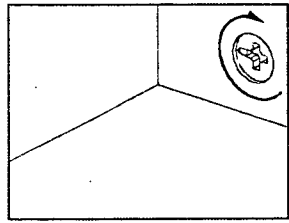
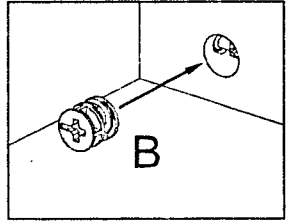
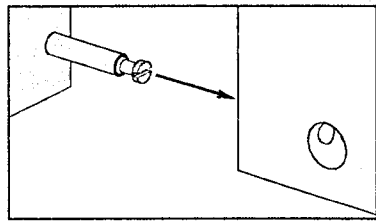
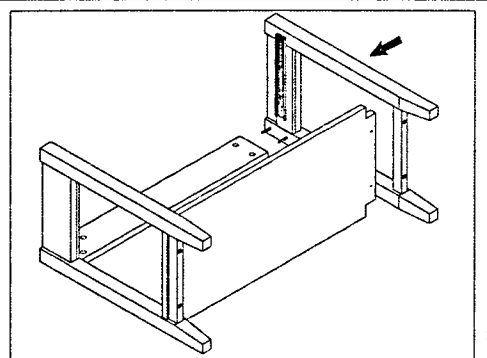
# 3

- |     |   |     |   |
|-----|---|-----|---|
| Bx2 |  | Ex2 |  |
| Cx2 |  | Jx1 |  |
| Dx2 |  |     |   |

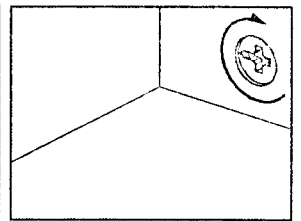
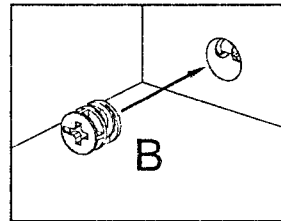
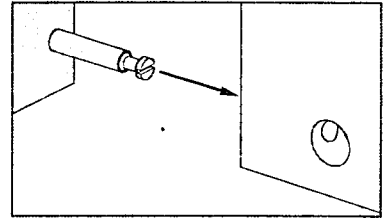
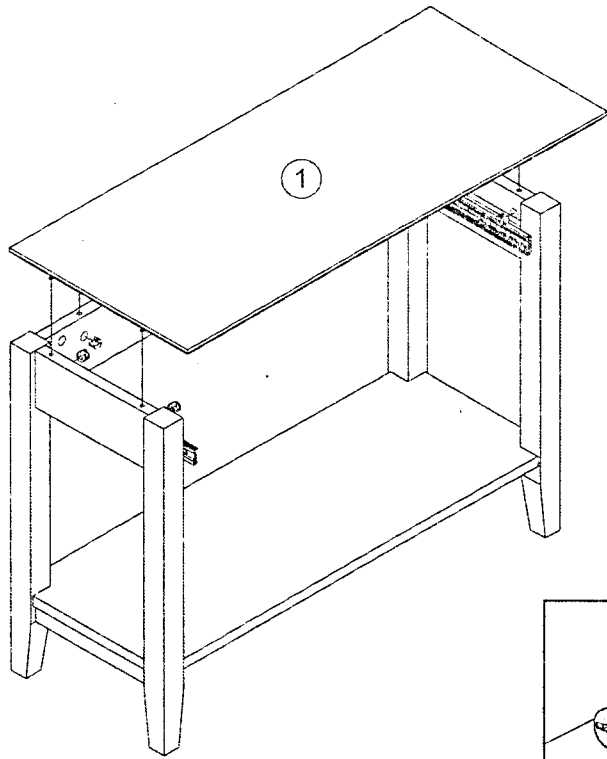
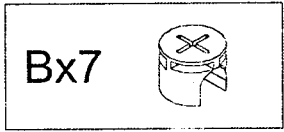


# 4

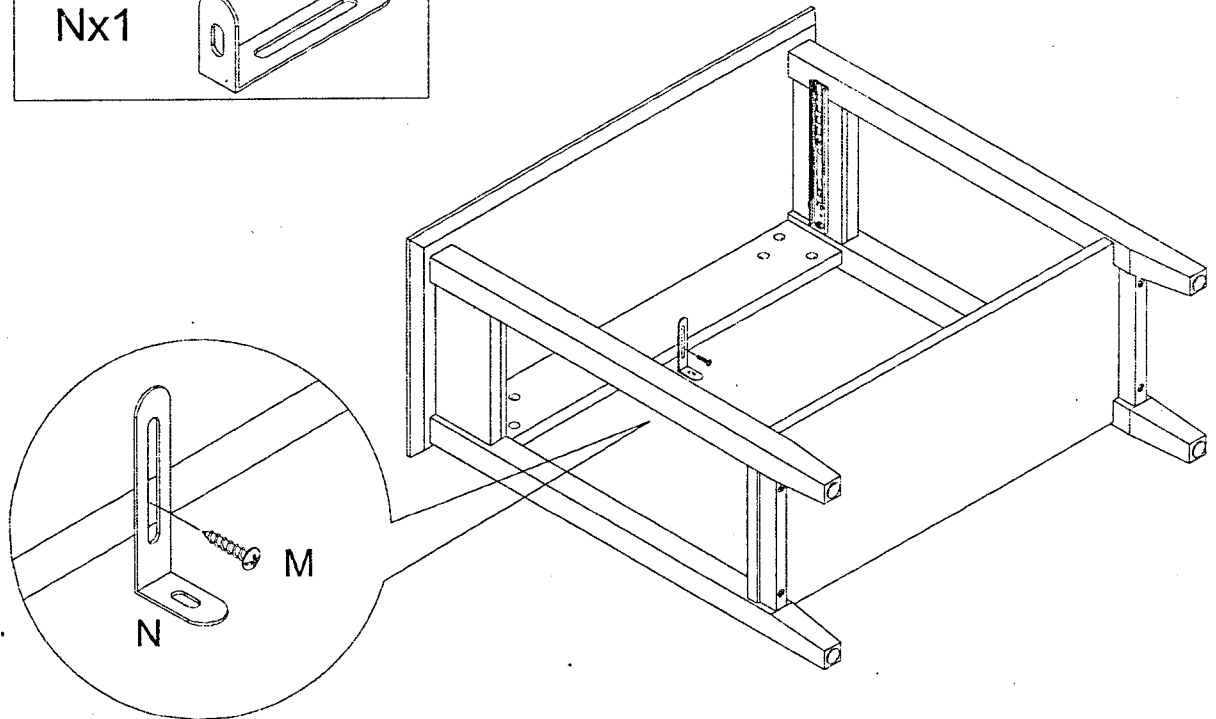
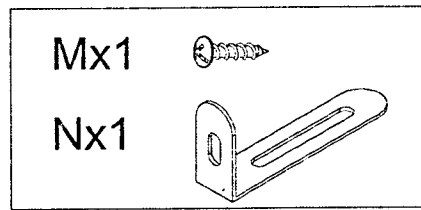
- |     |   |     |   |
|-----|---|-----|---|
| Bx2 |  | Ex2 |  |
| Cx2 |  | Kx4 |  |
| Dx2 |  |     |   |



# 5

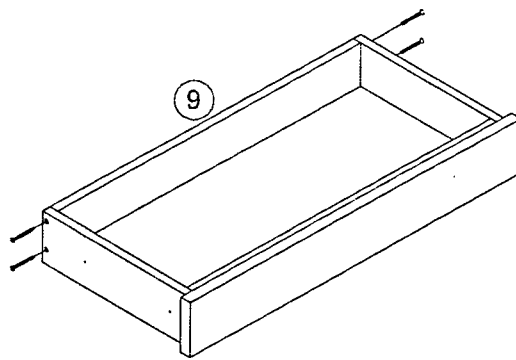
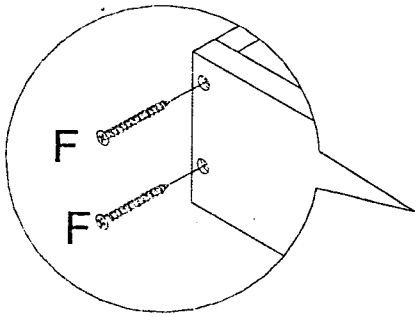
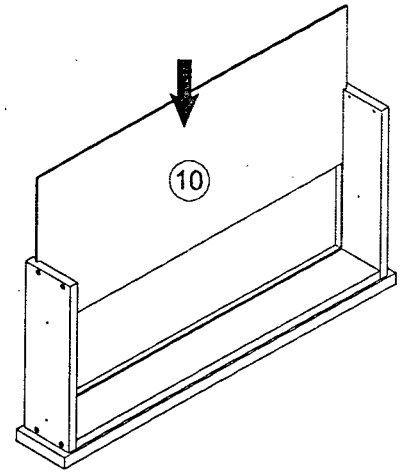
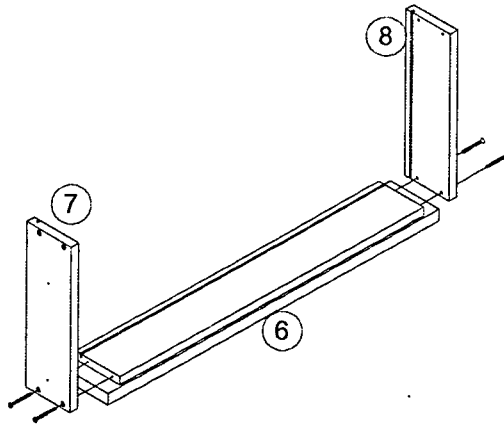
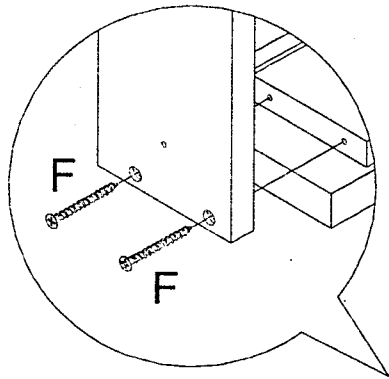
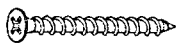


# 6



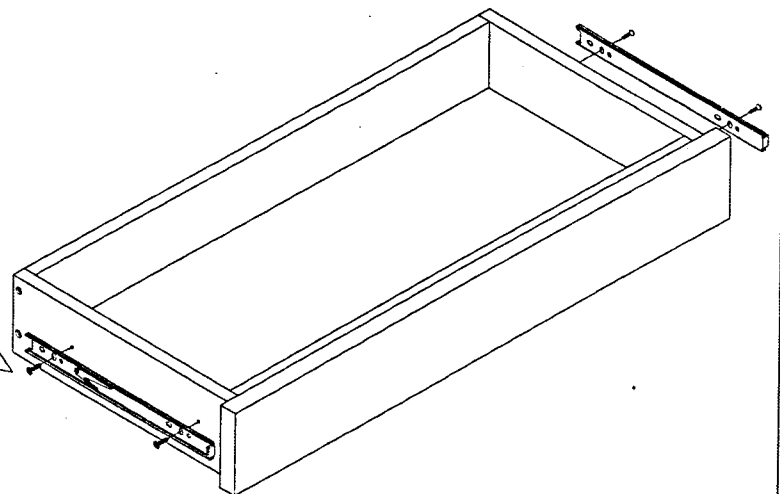
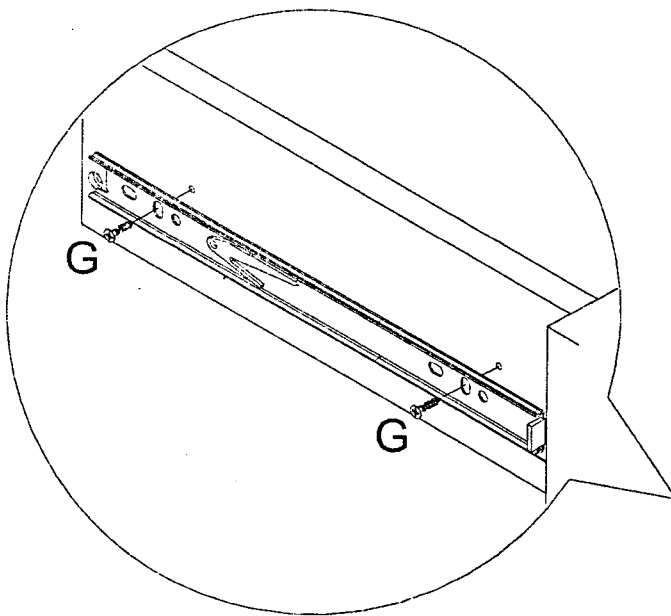
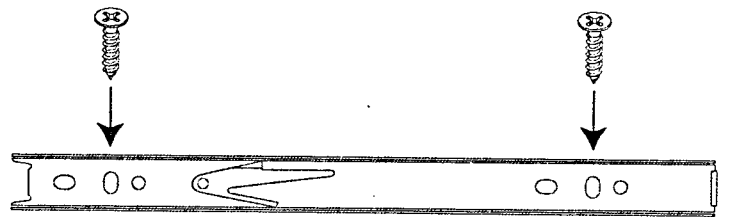
# 7

Fx8




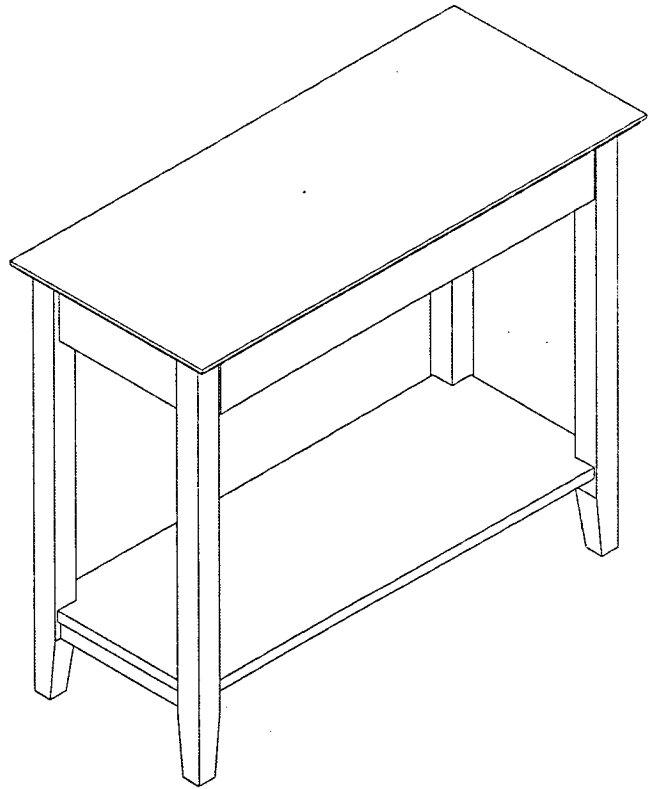
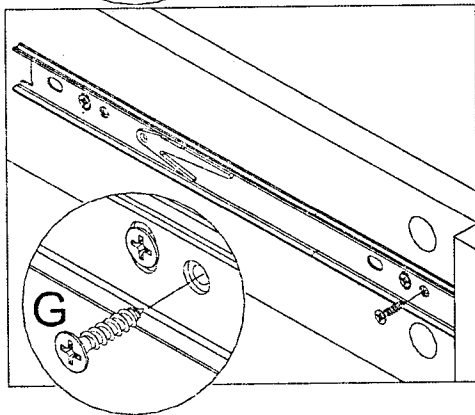
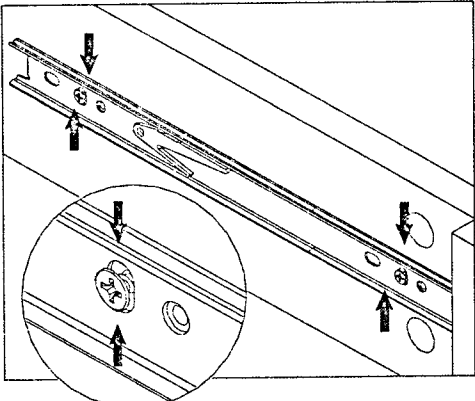
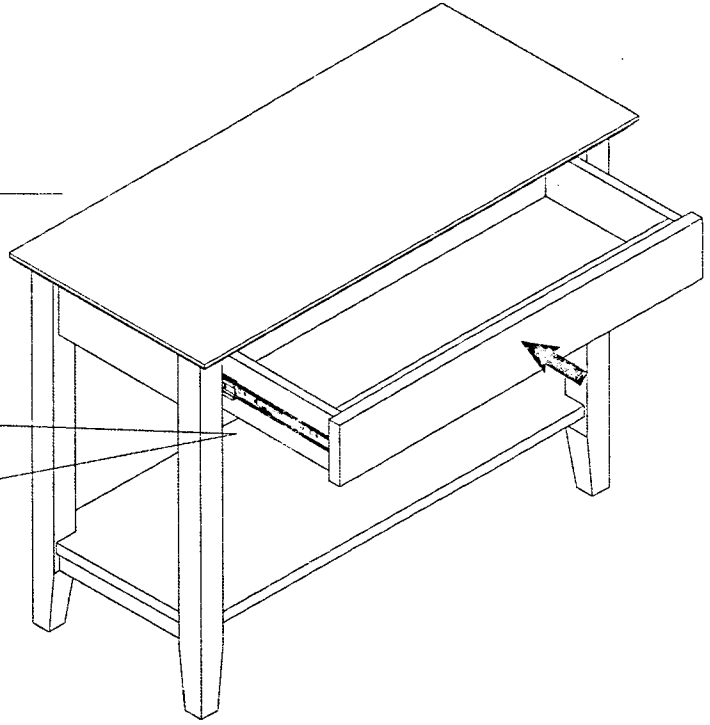
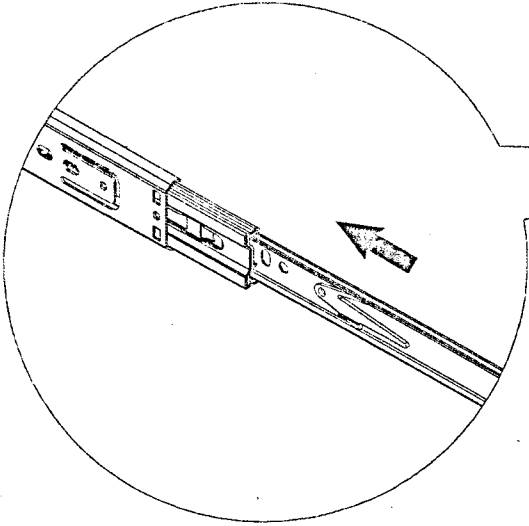
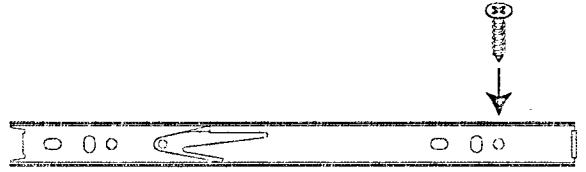
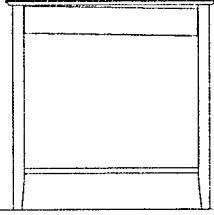
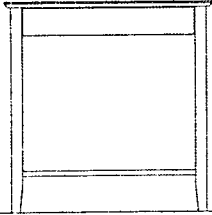
# 8

Gx4

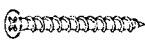


9

Gx2 



# 10

- Fx1 
- Lx1 