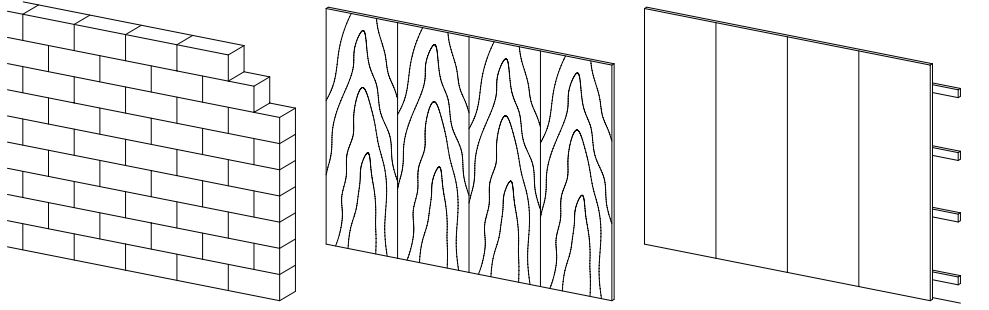
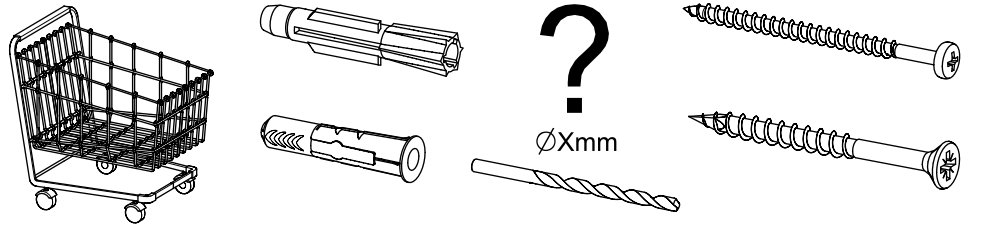
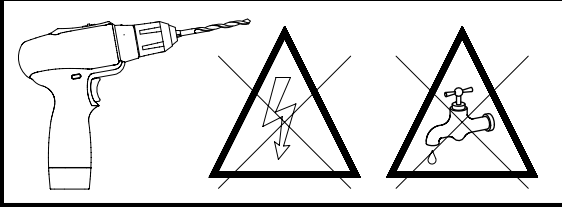
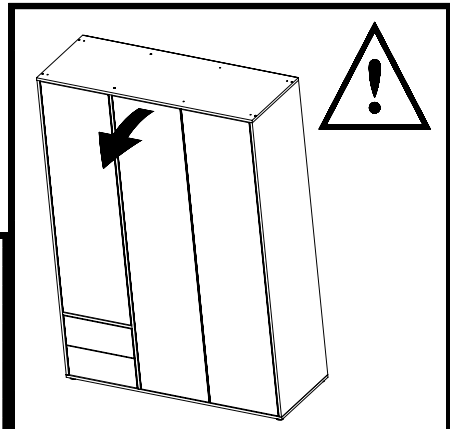
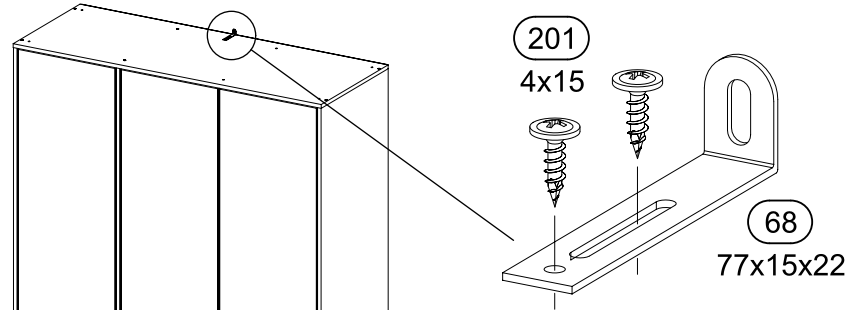
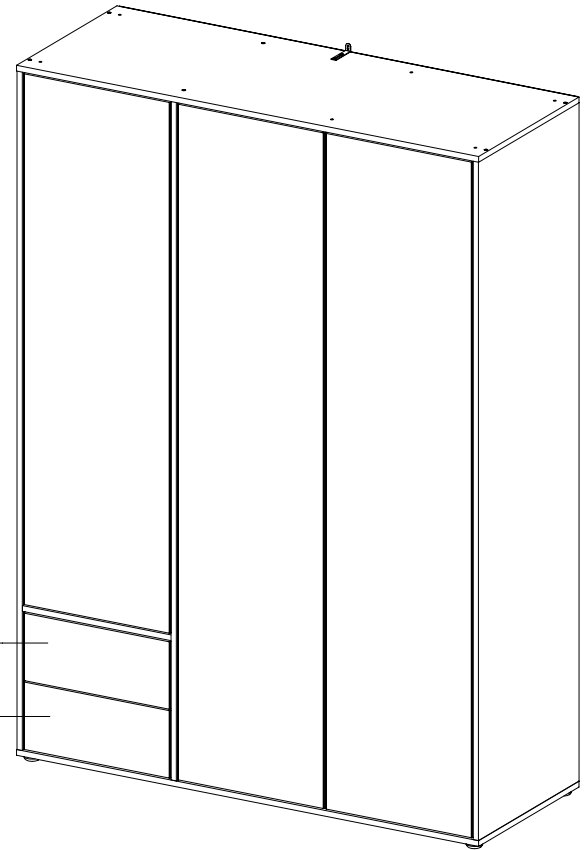
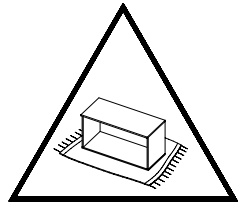
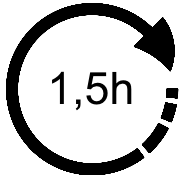
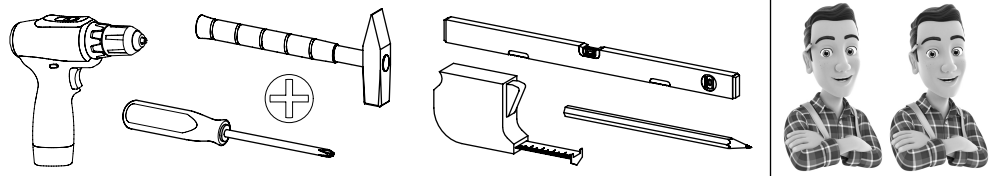
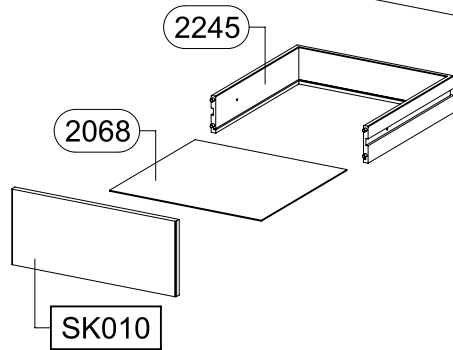
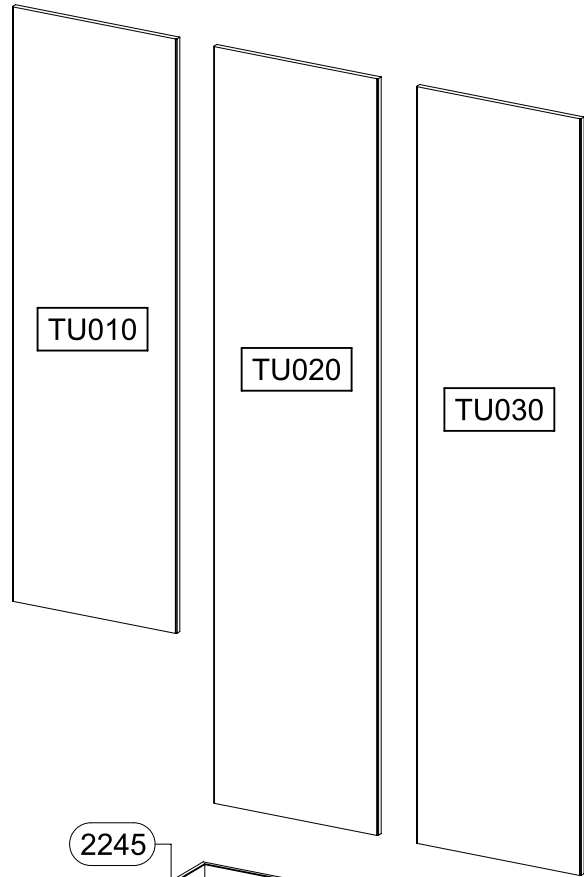
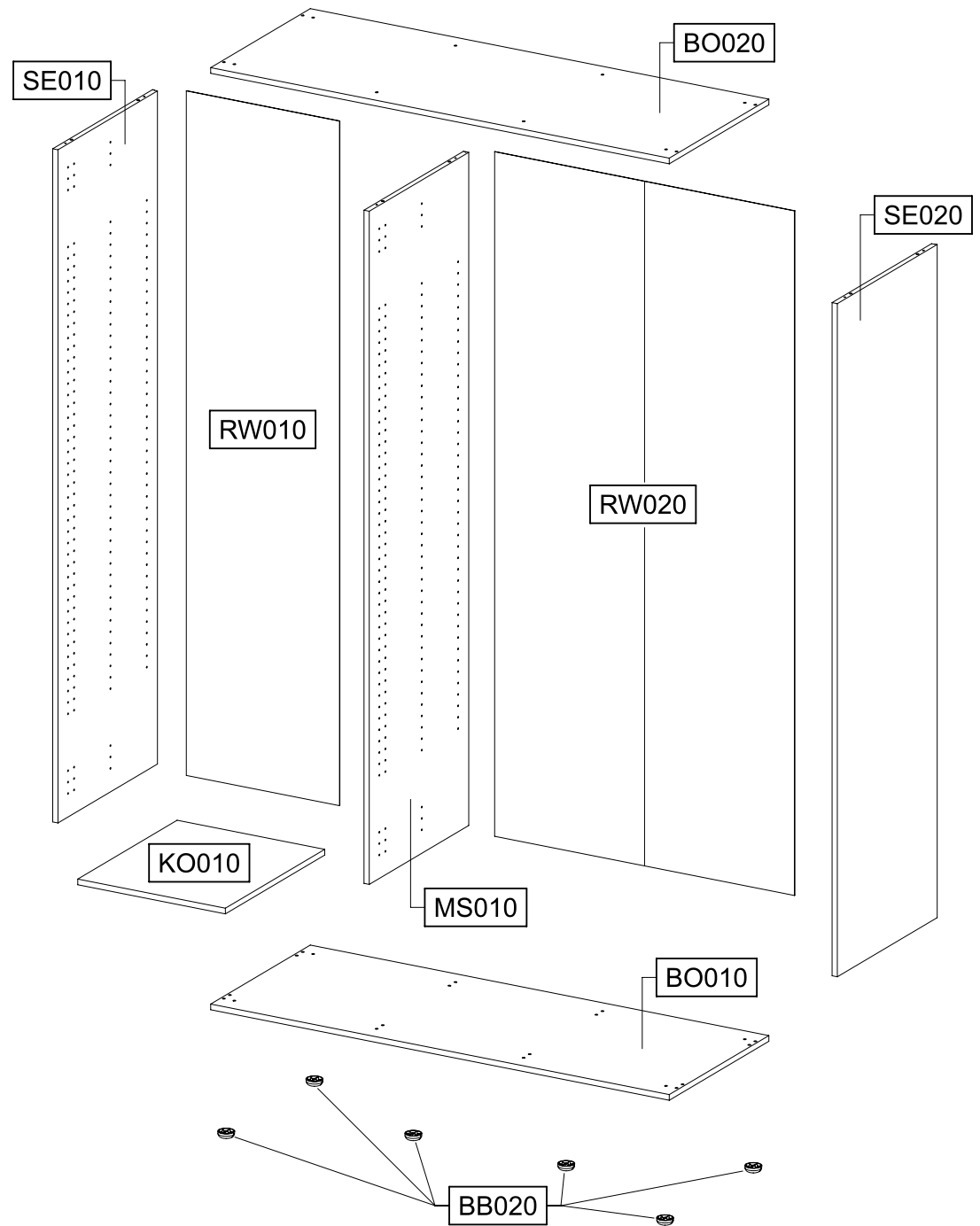





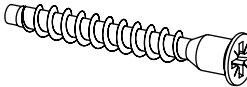
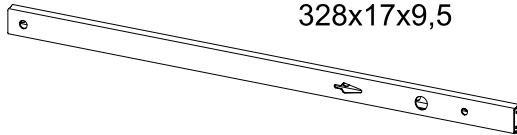



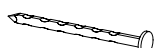



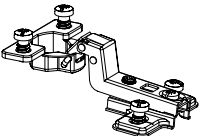
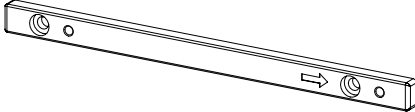
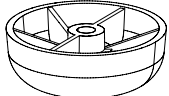


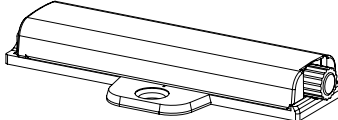
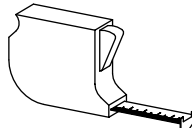
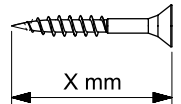
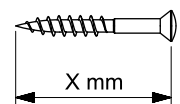
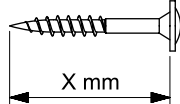
# M2990\_01

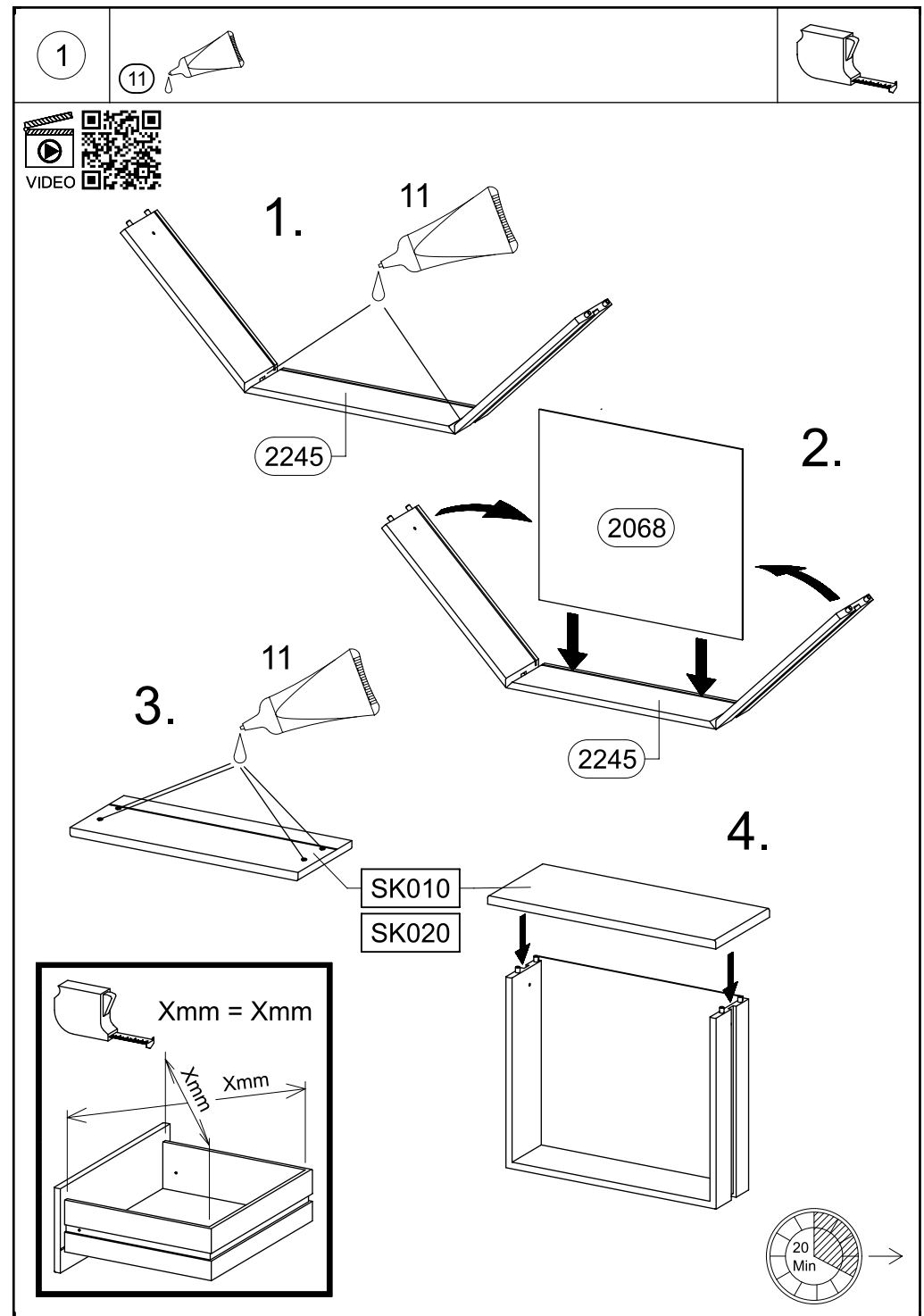




SK010 = SK020



 11	12x  18 8x30	13x  215 3x20	
12x  233 6,3x50	4x  251 328x17x9,5		
12x  405 Ø8	8x  427 4x20	4x  568 M4x9	40x  768 1,5x25
1x  769 34x14,5x12	4x  1105	8x  1373 6,3x19	
9x  1375	4x  DS010		
6x  BB020	2x  779 6,5x12	8x  201 4x15	
5x  1331			
	 X mm	 X mm	 X mm



**2** 8x 18 8x30

10mm

SE010  
SE020

18

**3** 4x 18 8x30

10mm

MS010

18

4x DS010

328x17x9,5

4x 251

**4** 2x 251 2x DS010

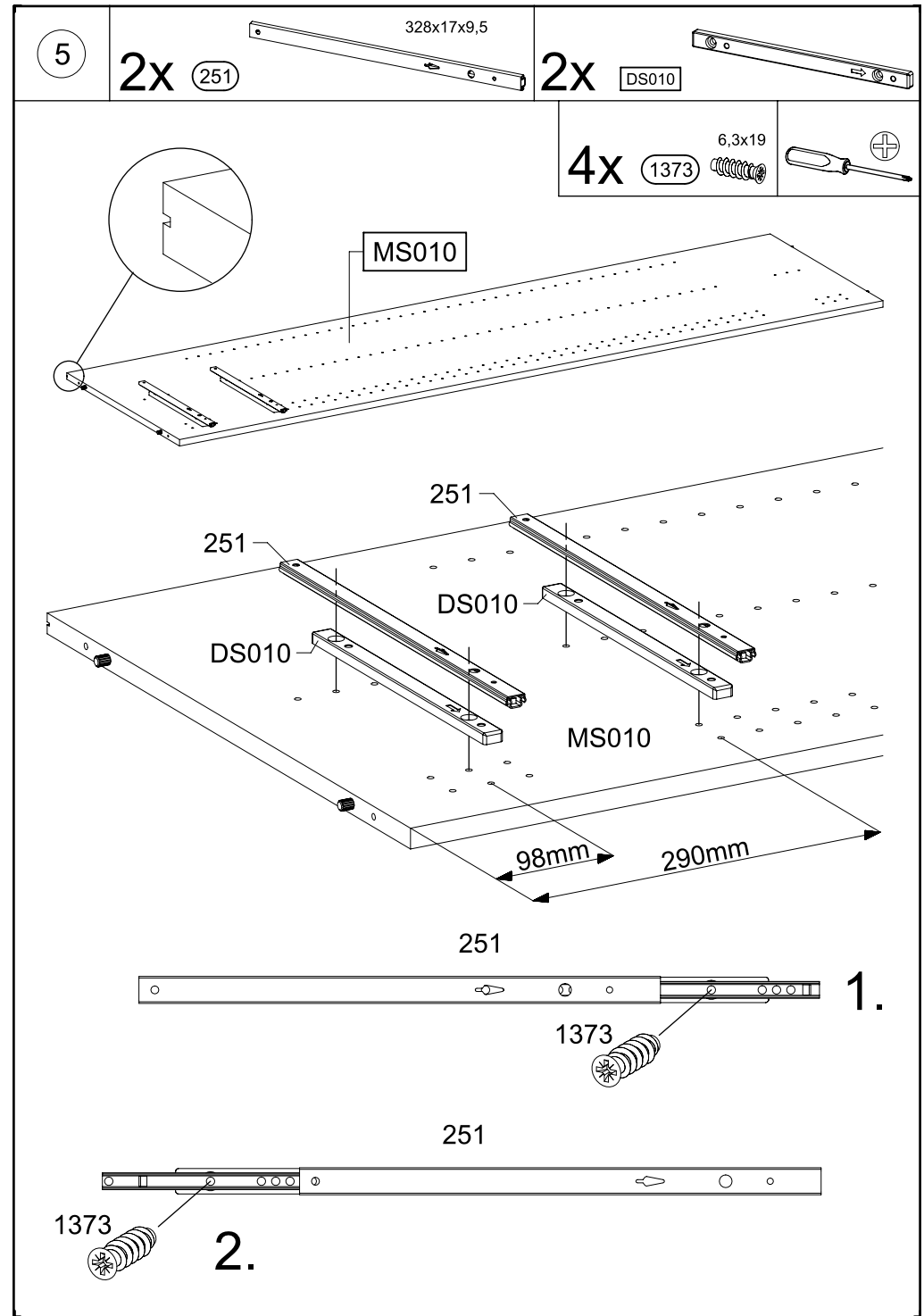
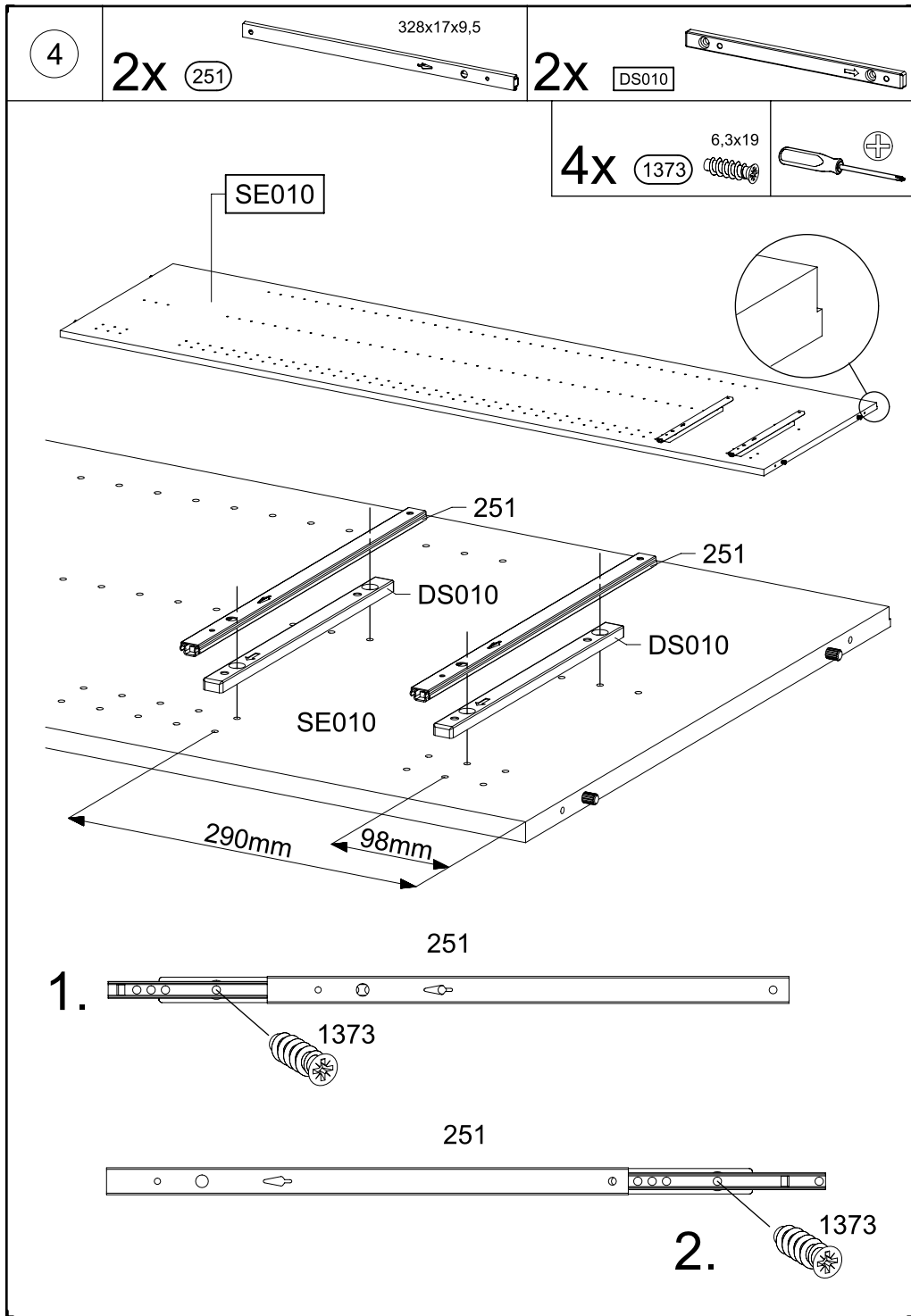
SE010

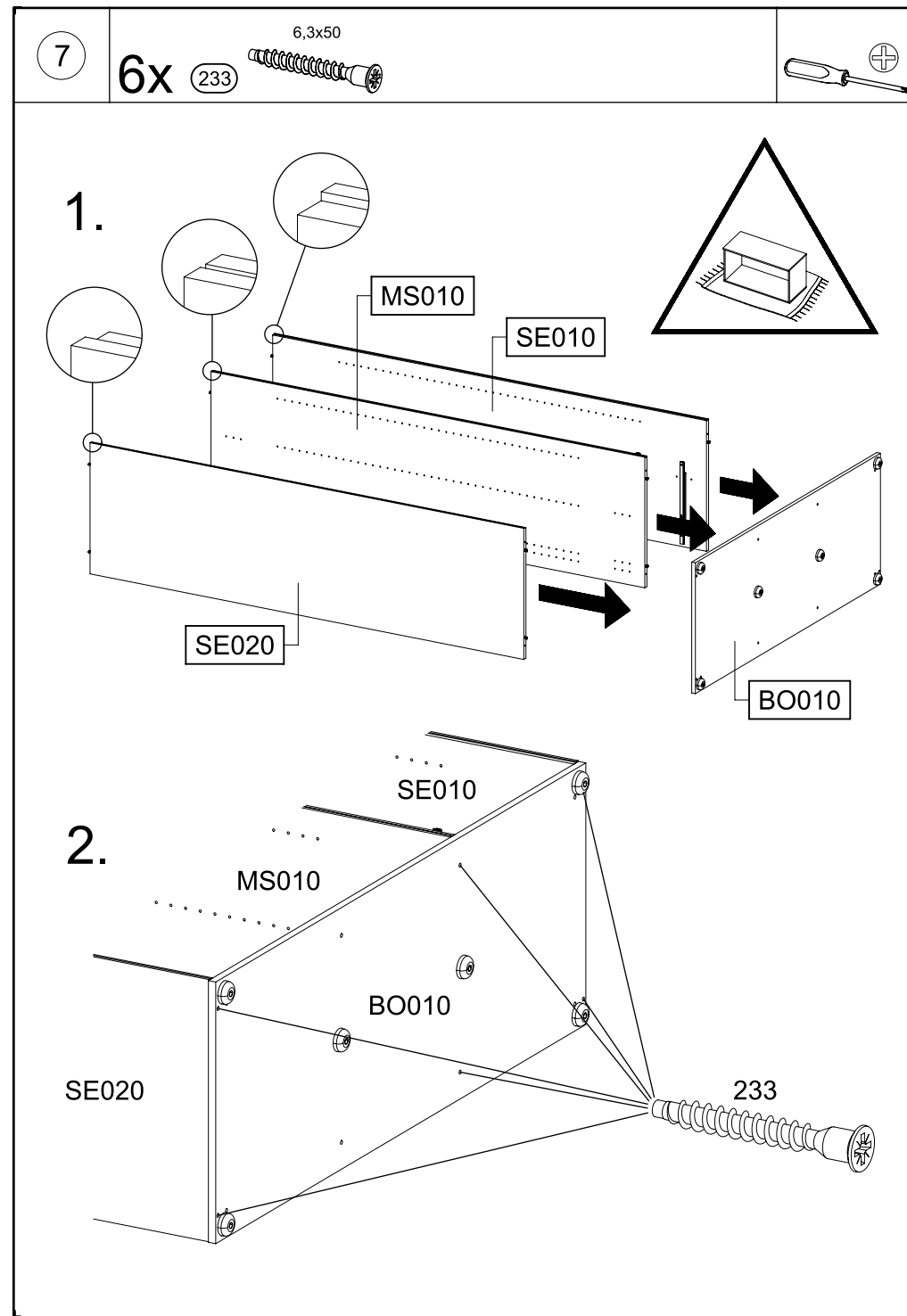
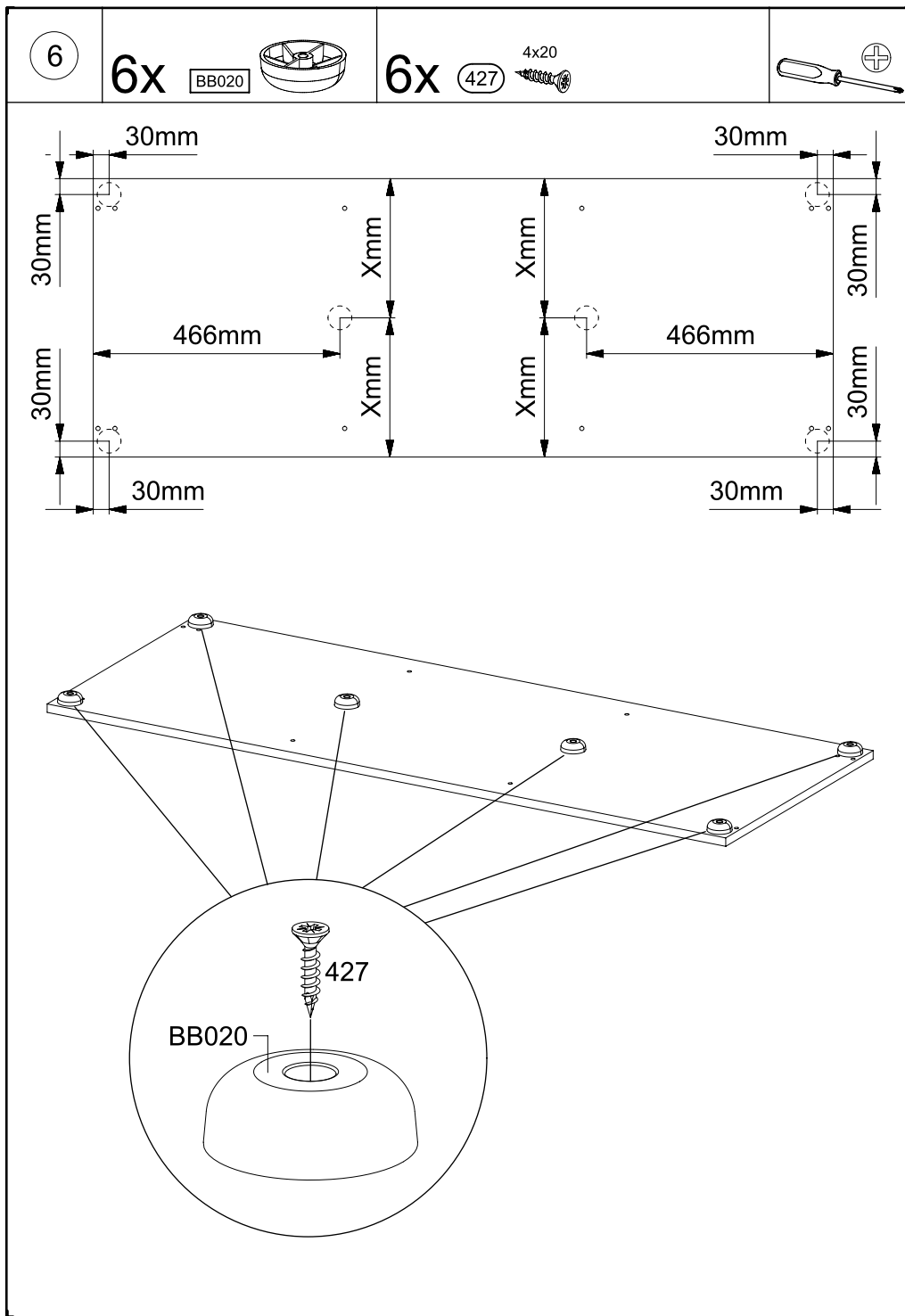
4x 1373 6,3x19

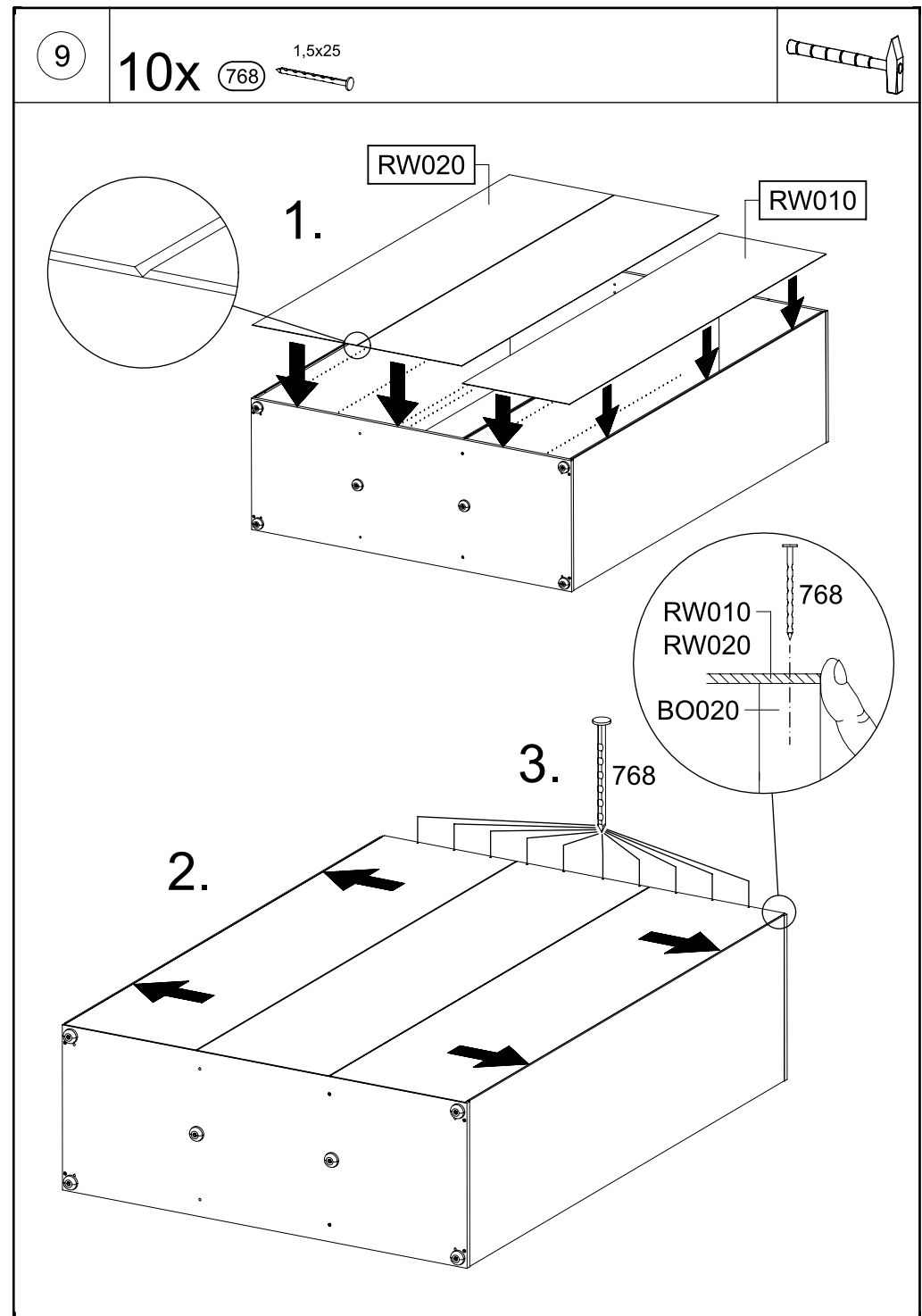
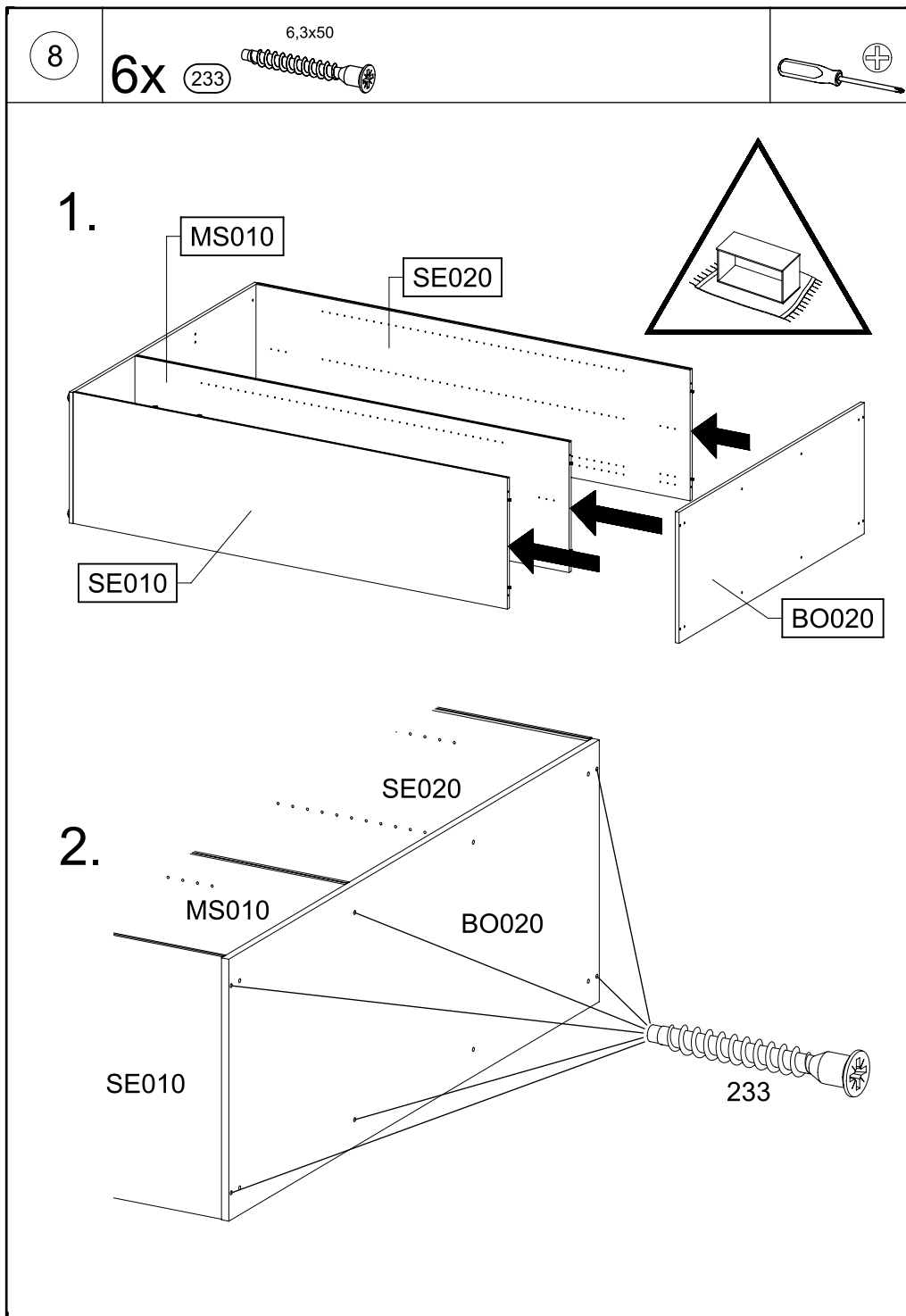
**5** 2x 251 2x DS010

MS010

4x 1373 6,3x19





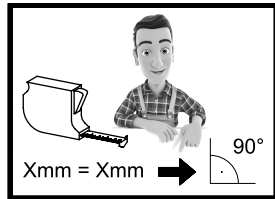
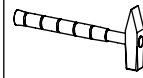
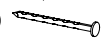


10

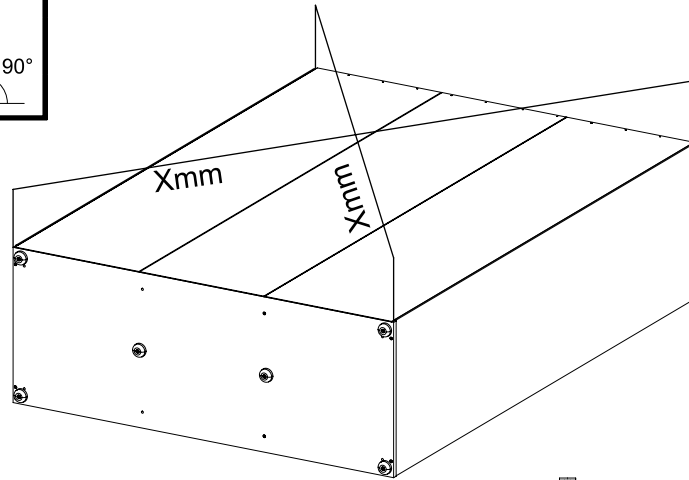
10x

768

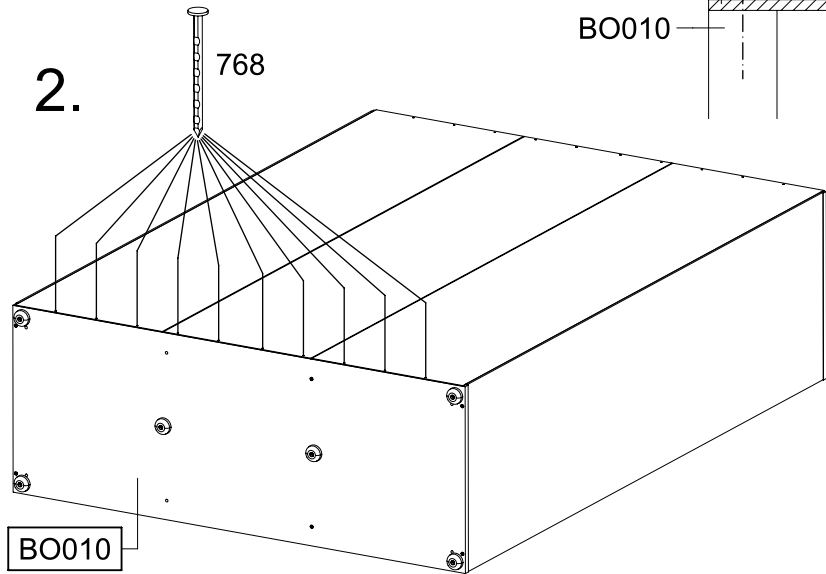
1,5x25



1.



2.

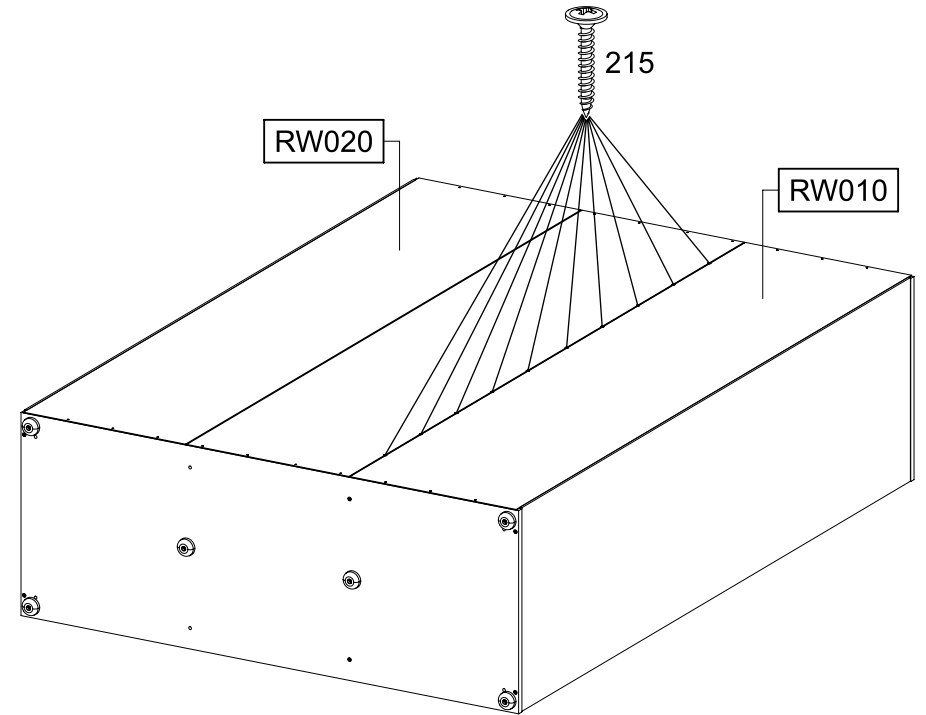
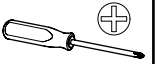


11

10x

215

3x20



RW020

215

RW010

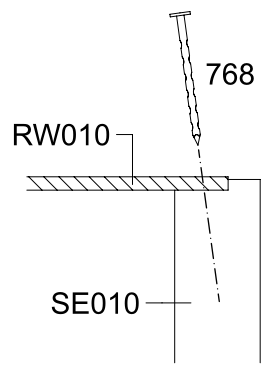
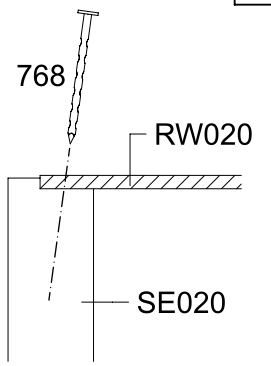
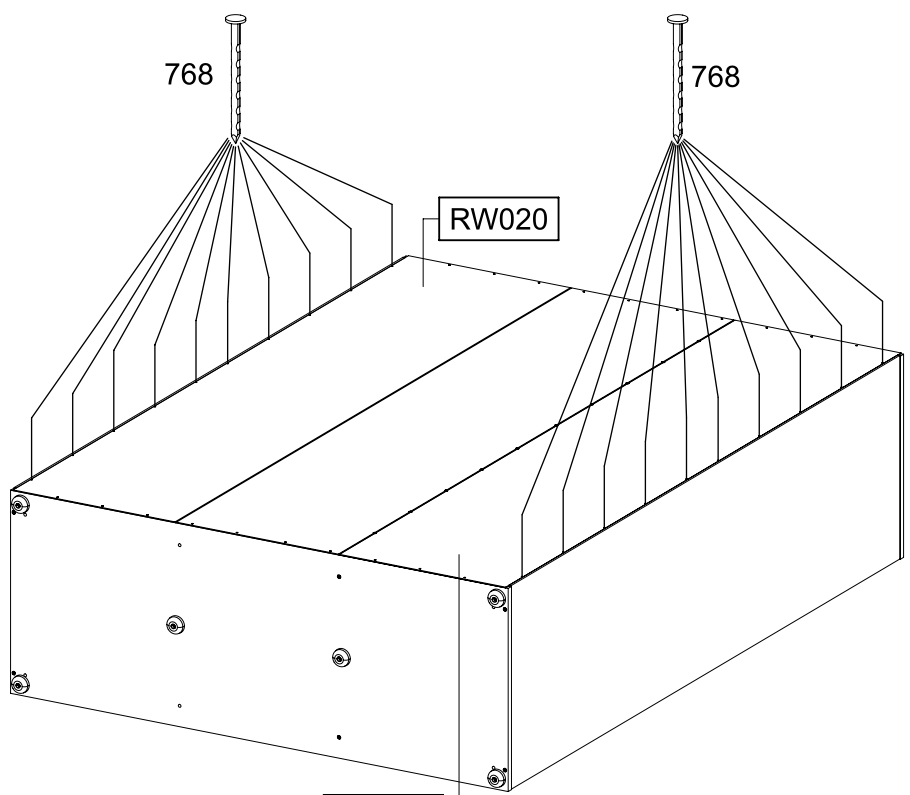
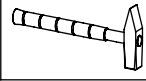
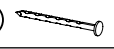
MS010

12

20x

768

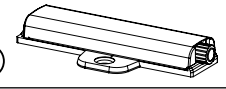
1,5x25



13

1x

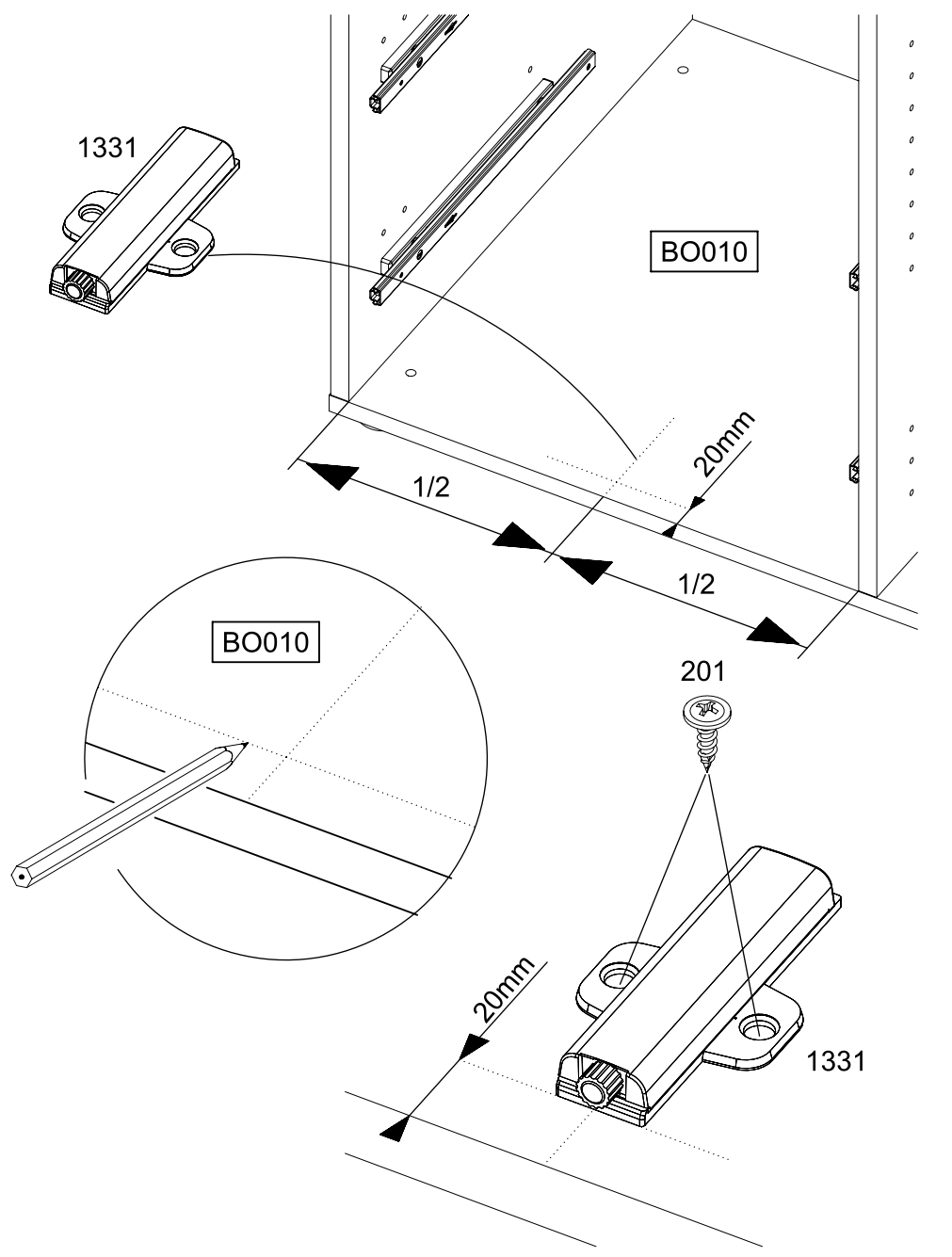
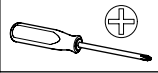
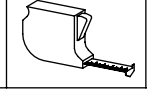
1331



2x

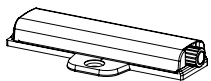
201

4x15



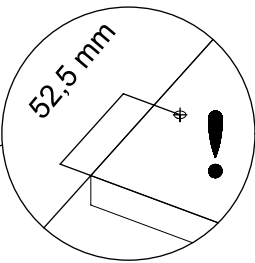
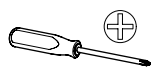
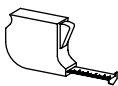
14

1x 1331



2x 201

4x15



KO010

1/2

20mm

1/2

KO010

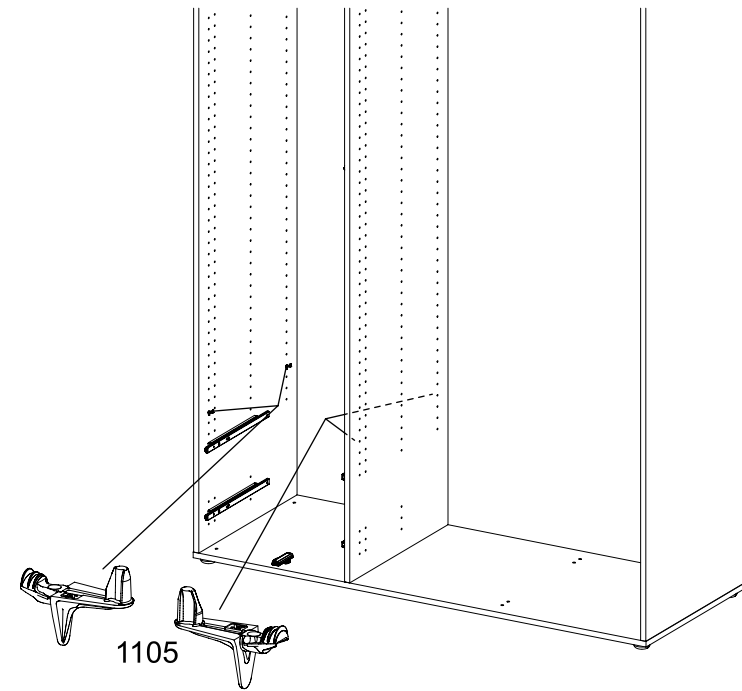
201

1331

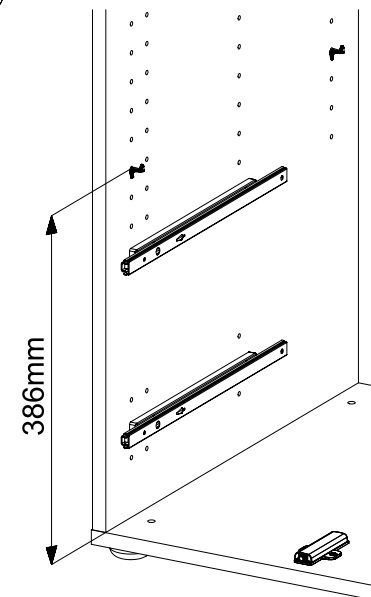
20mm

15

4x 1105

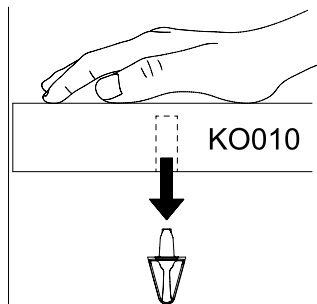
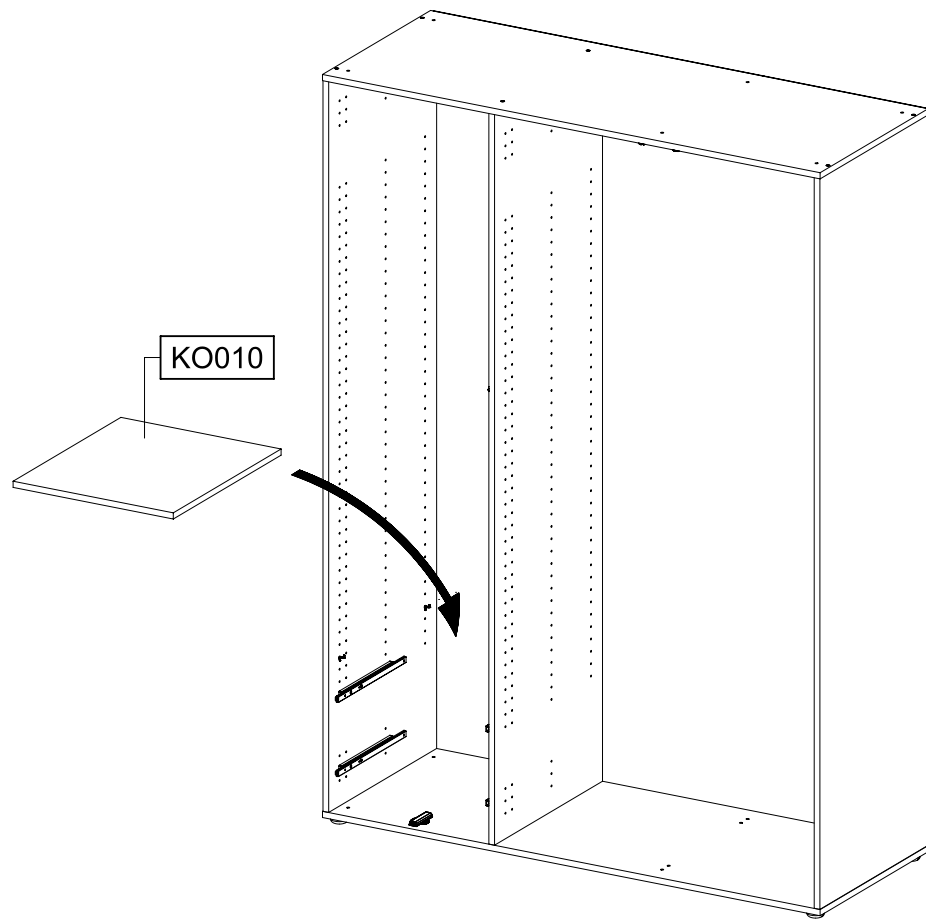


1105

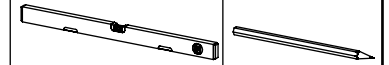


386mm

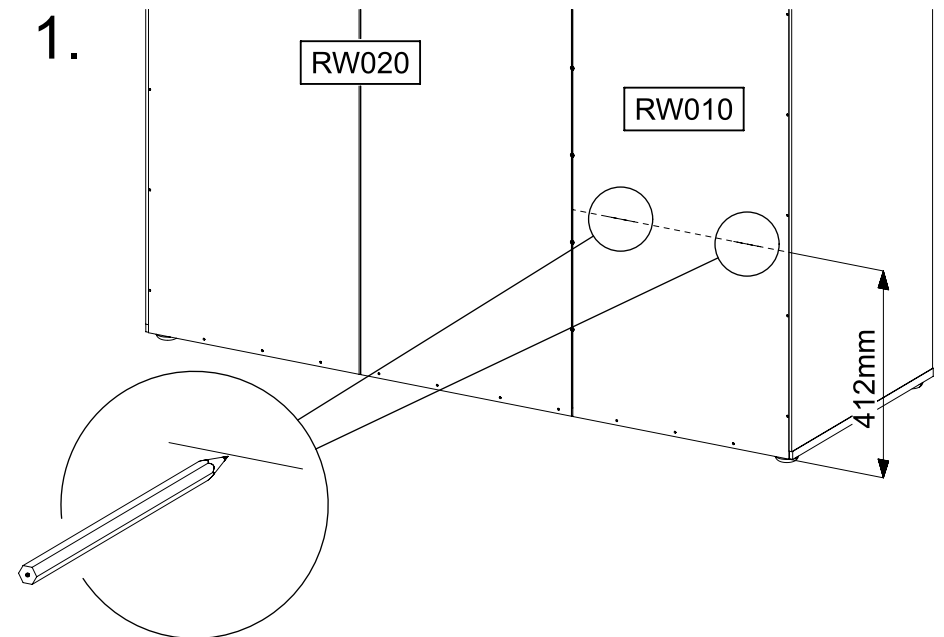
16



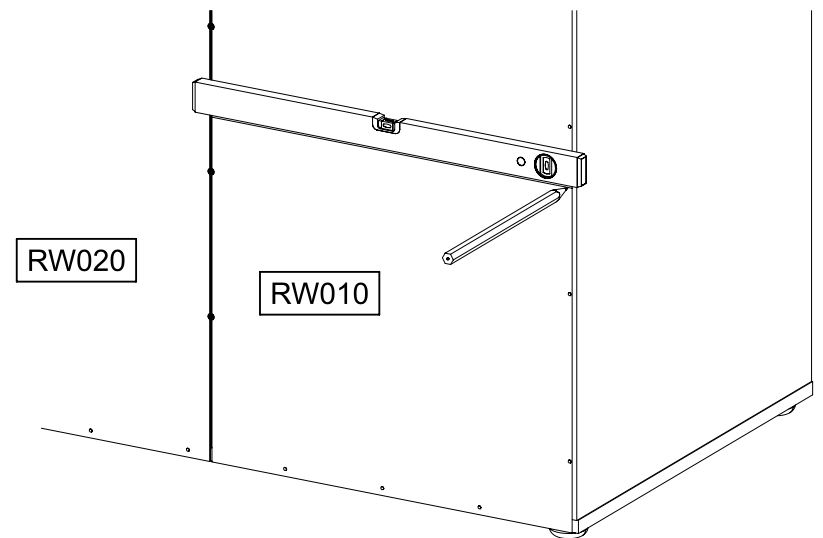
17



1.



2.

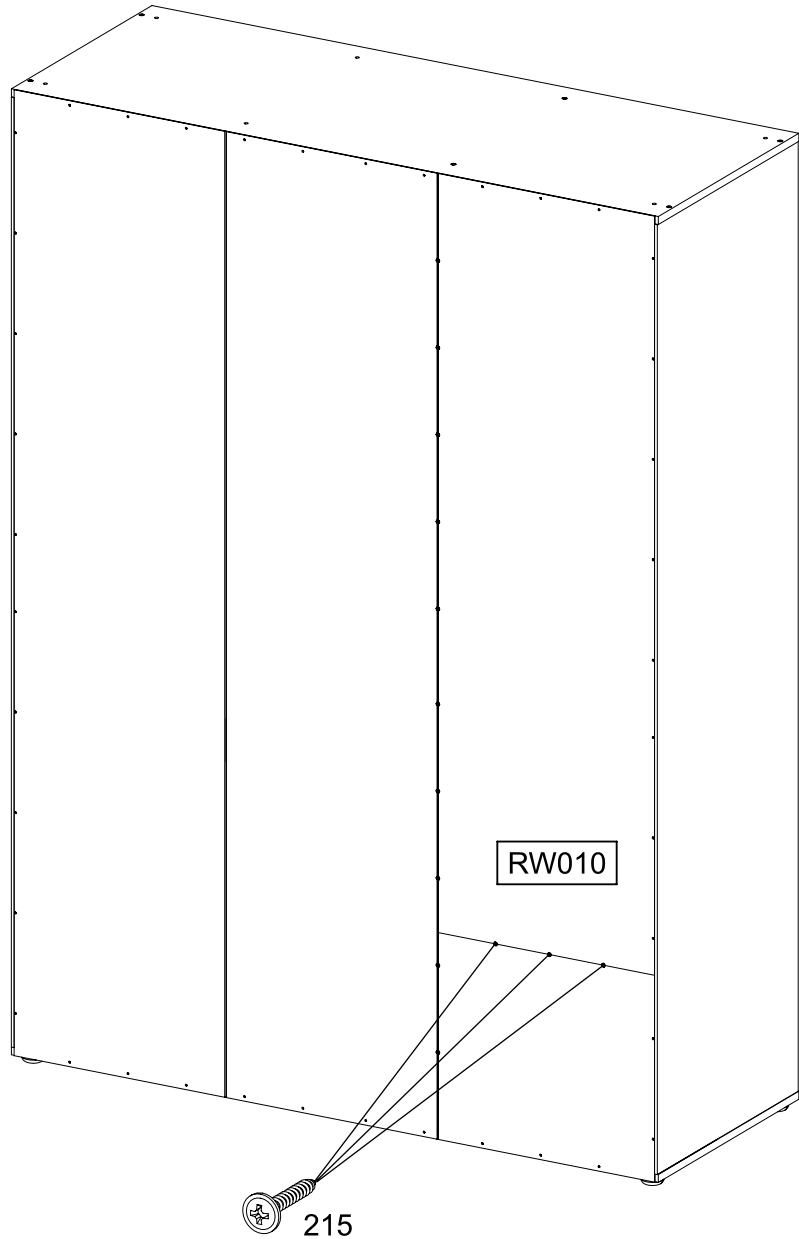
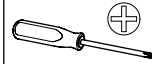


18

3x

215

3x20



215

19

2x

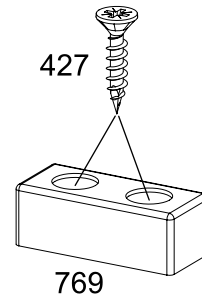
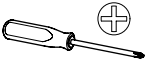
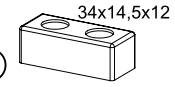
427

4x20



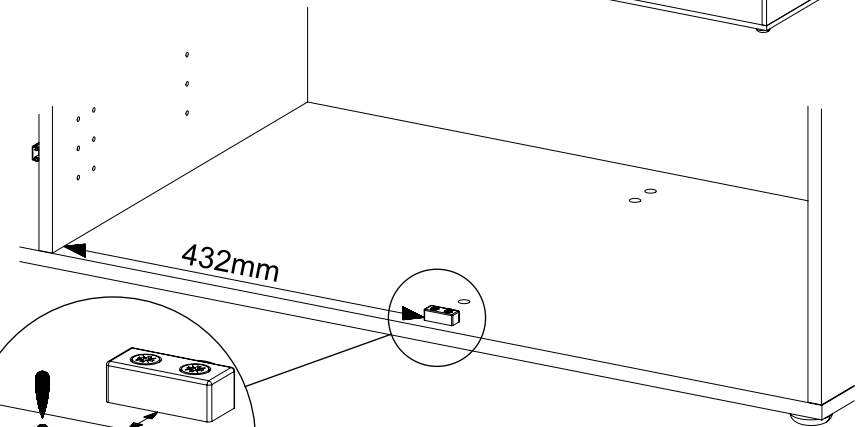
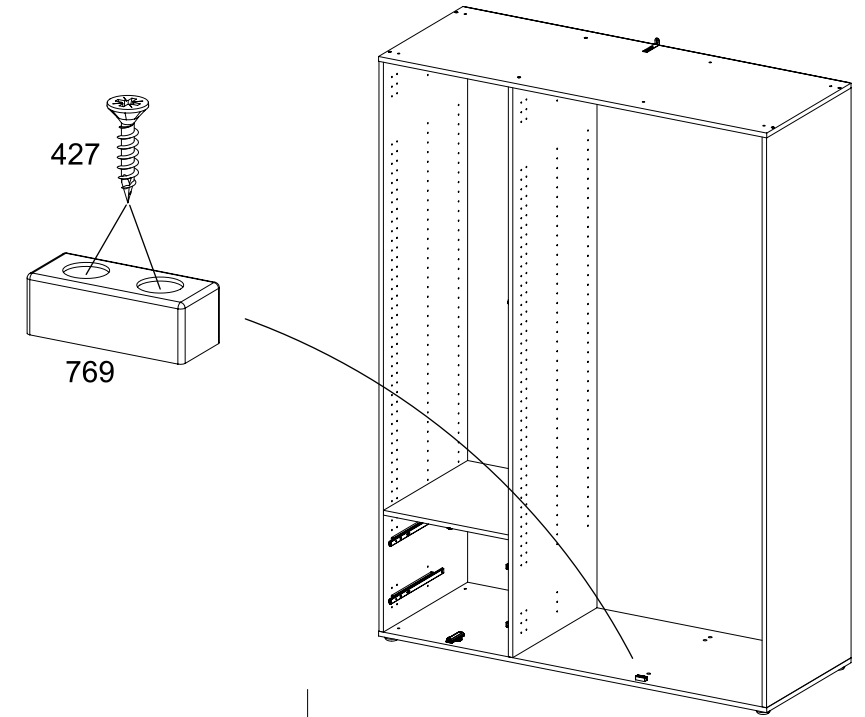
1x

769



427

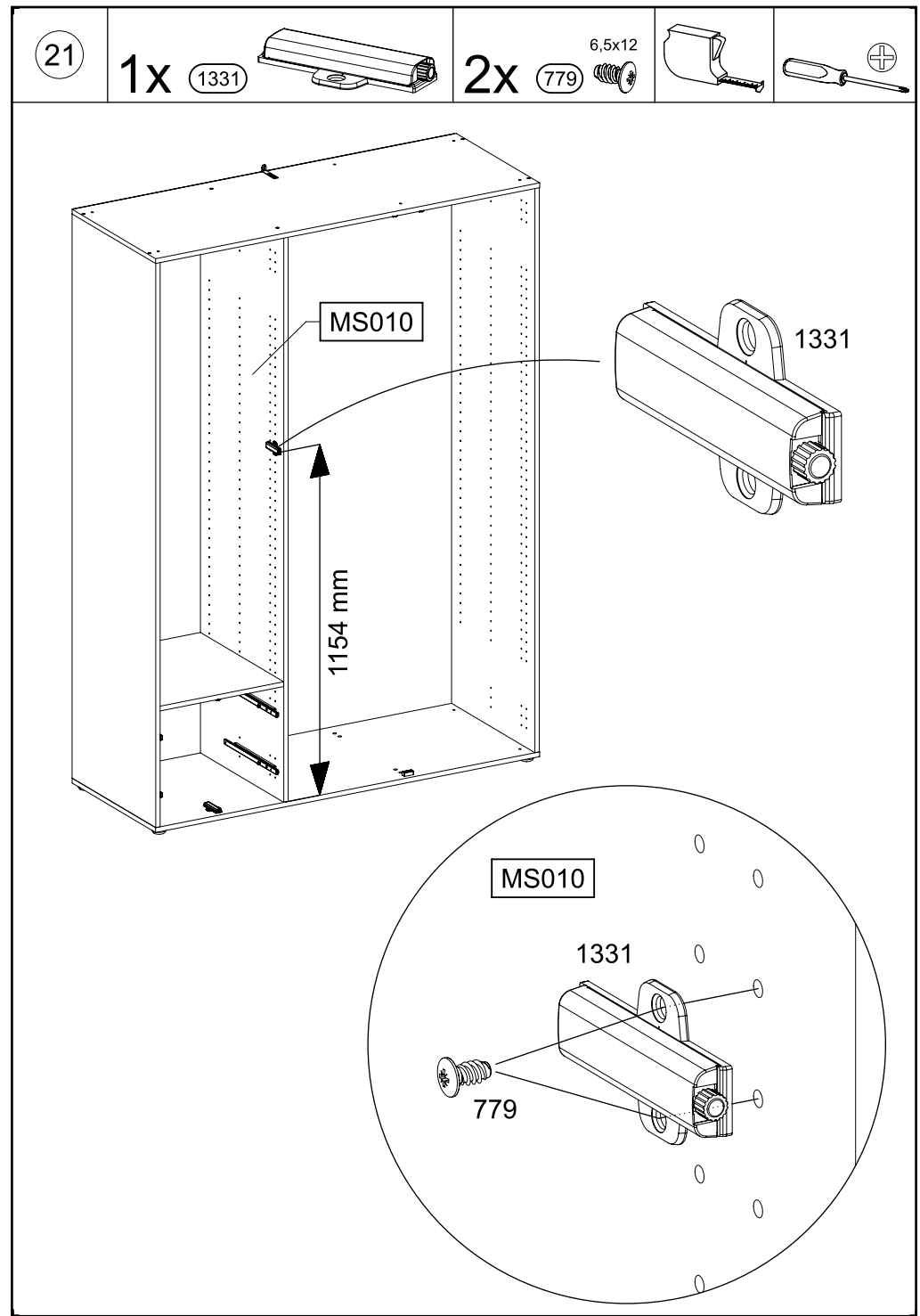
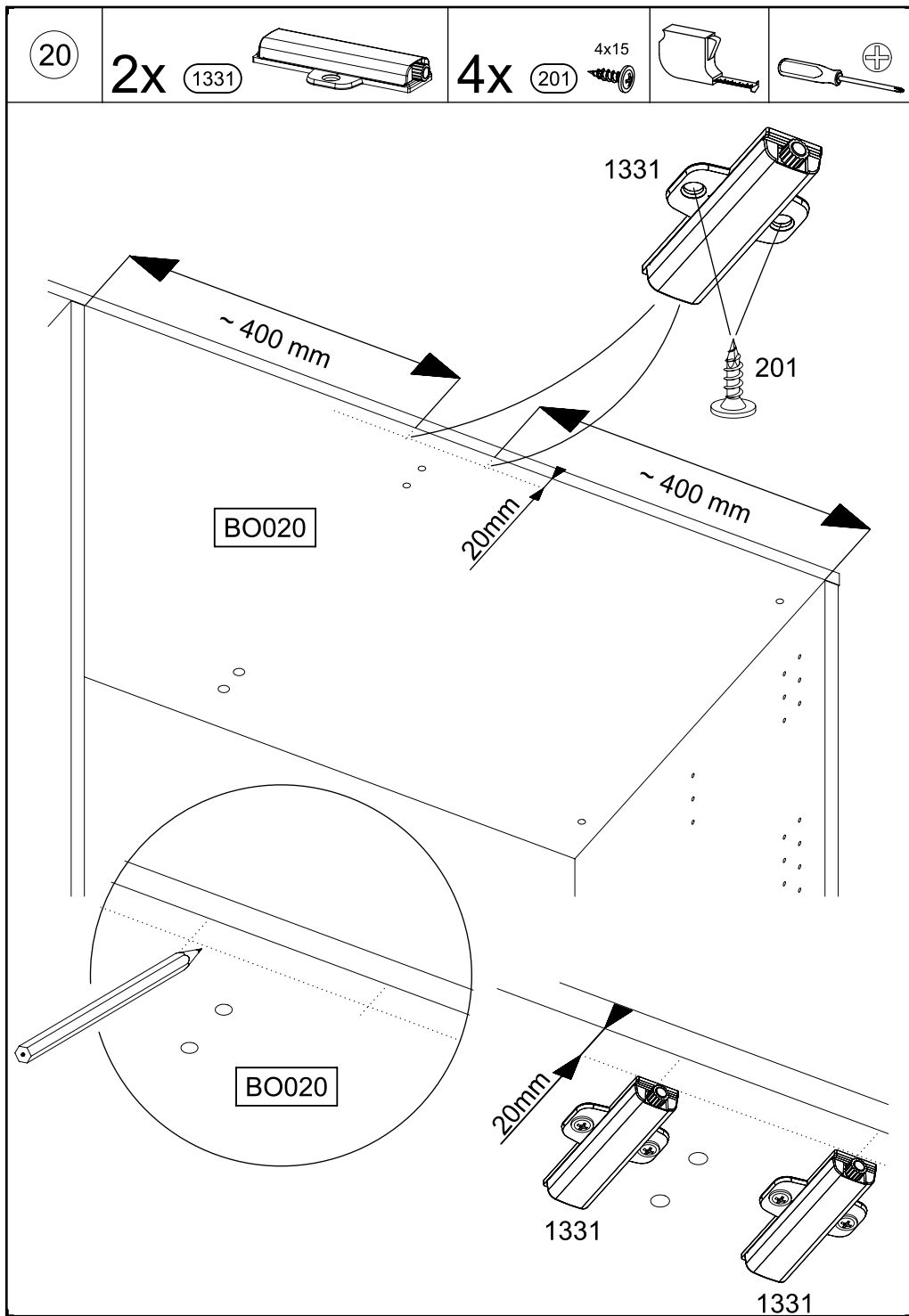
769



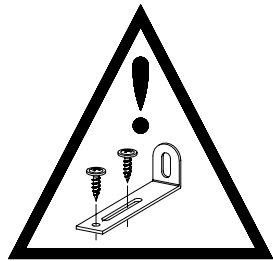
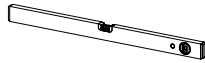
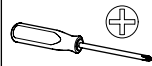
432mm

17mm



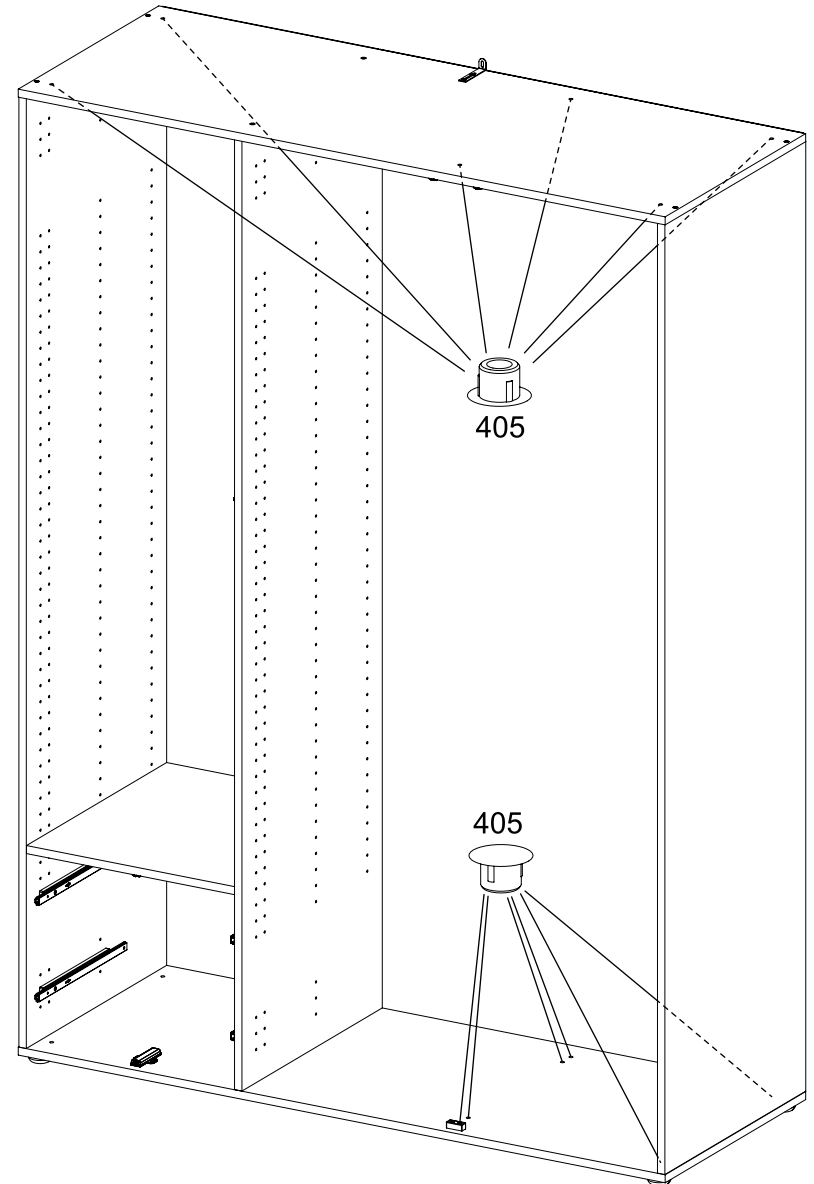


22



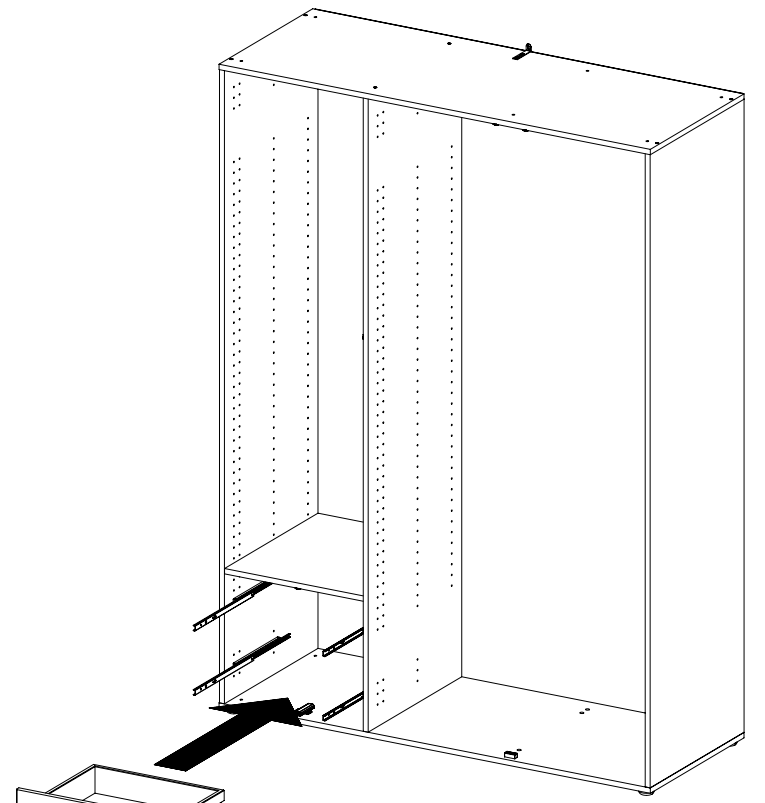
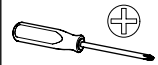
23

12x 405

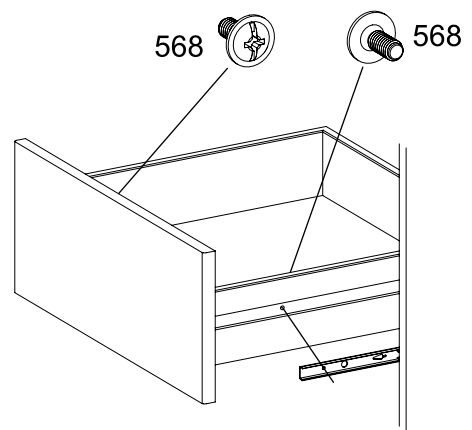


24

4x 568 M4x9

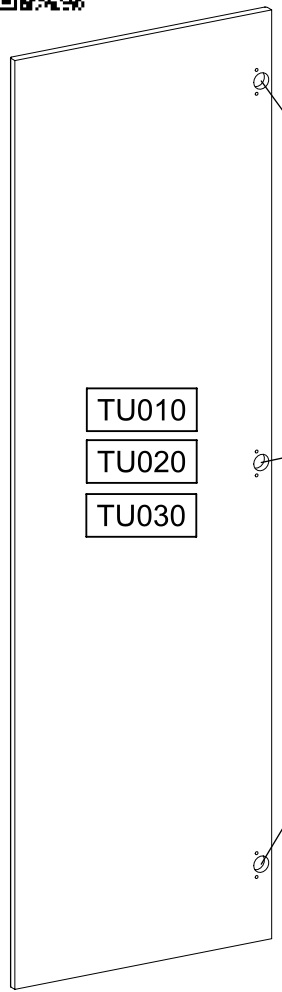
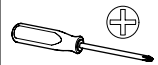
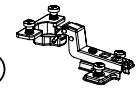


SK010  
SK020



25

9x 1375

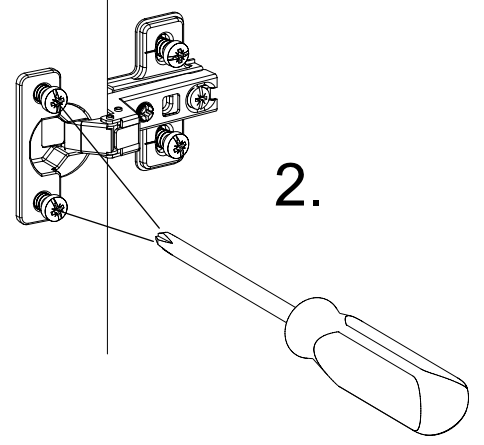


1.

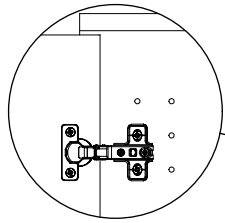
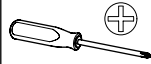
1375

TU010  
TU020  
TU030

2.

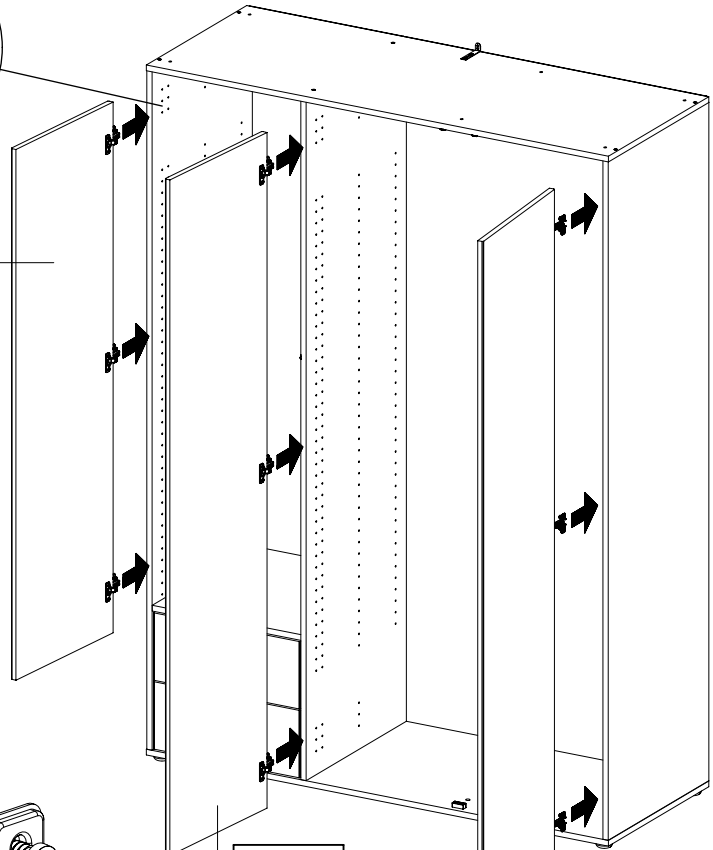


26



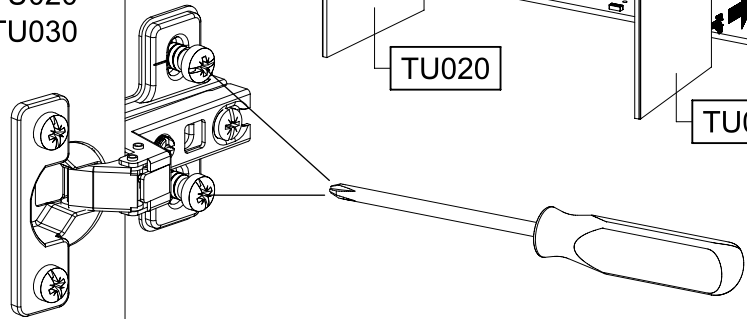
TU010

TU010  
TU020  
TU030

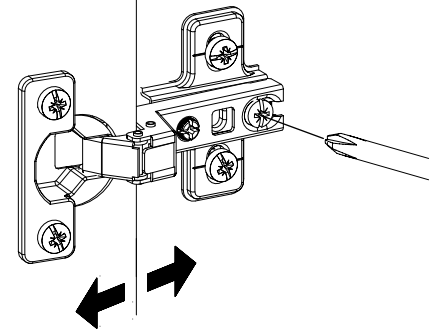
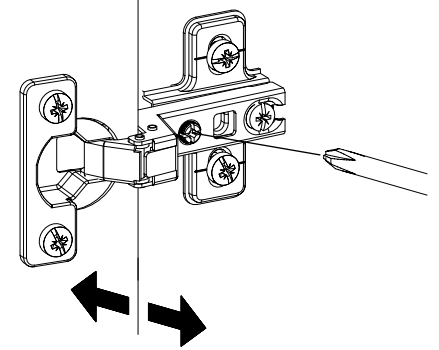
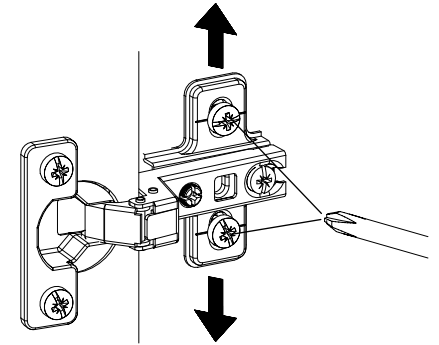
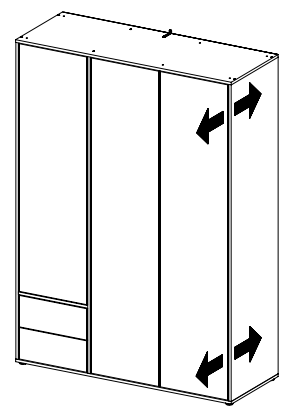
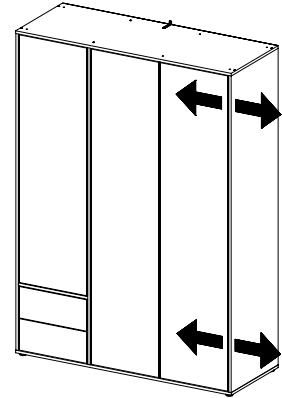
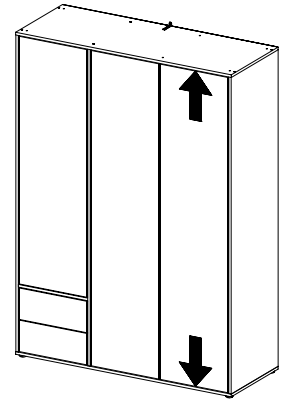
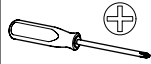


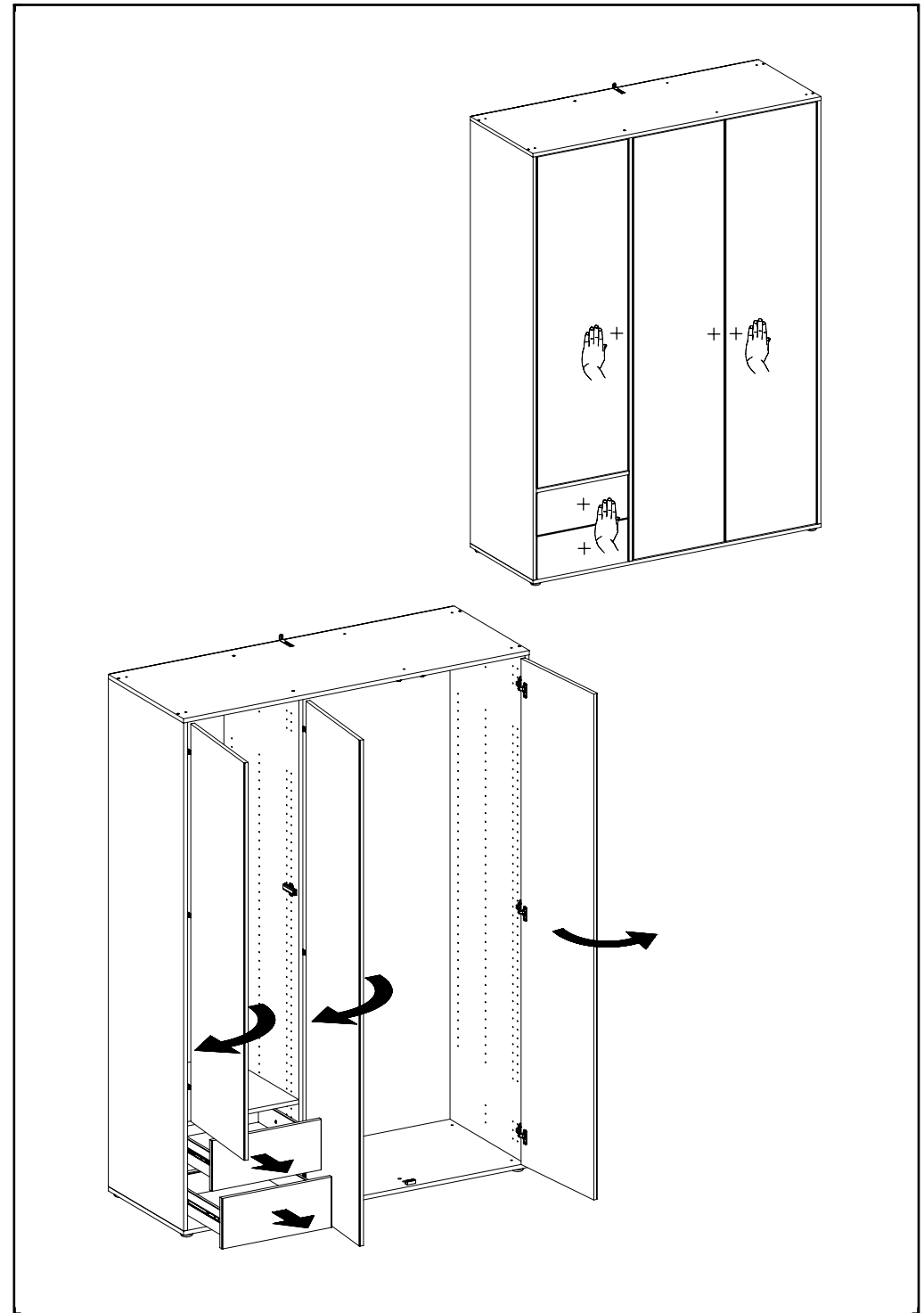
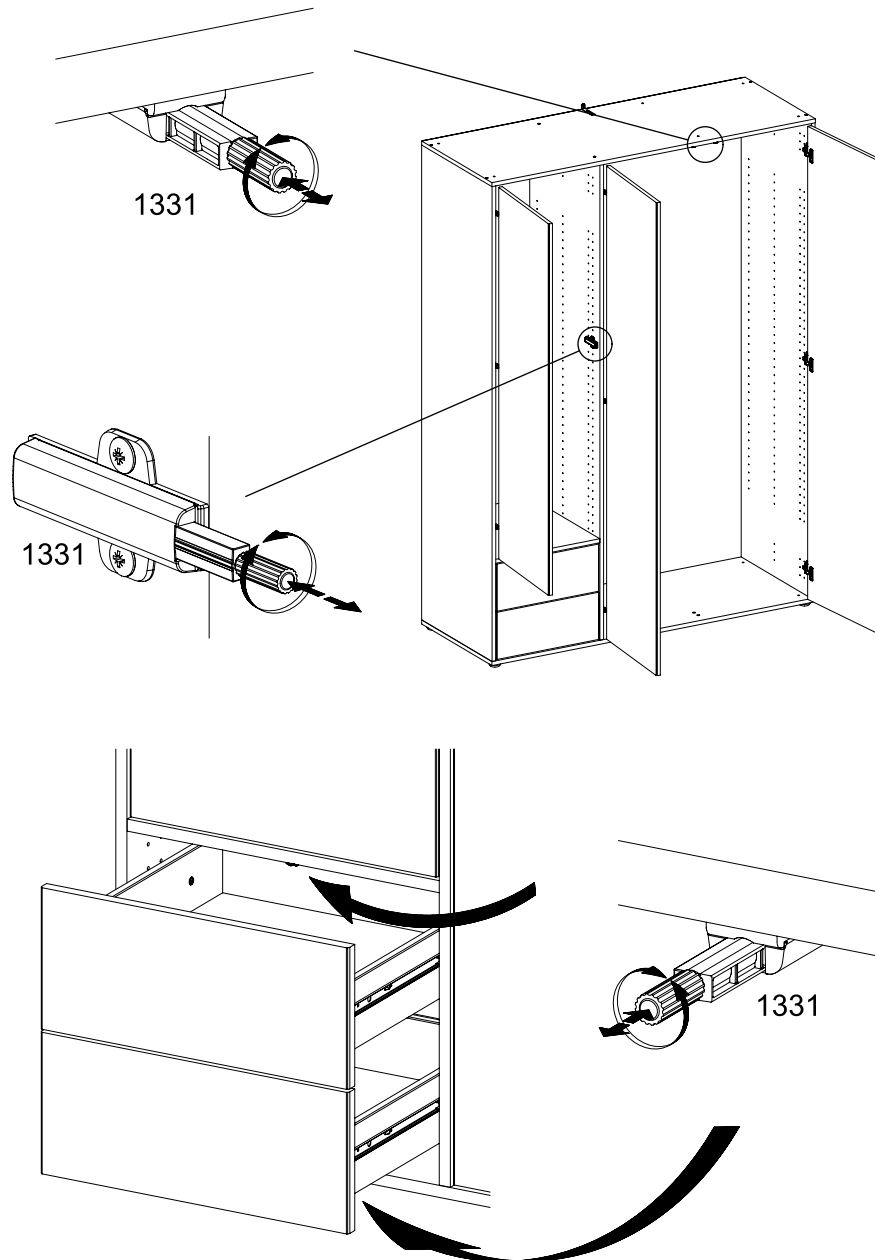
TU020

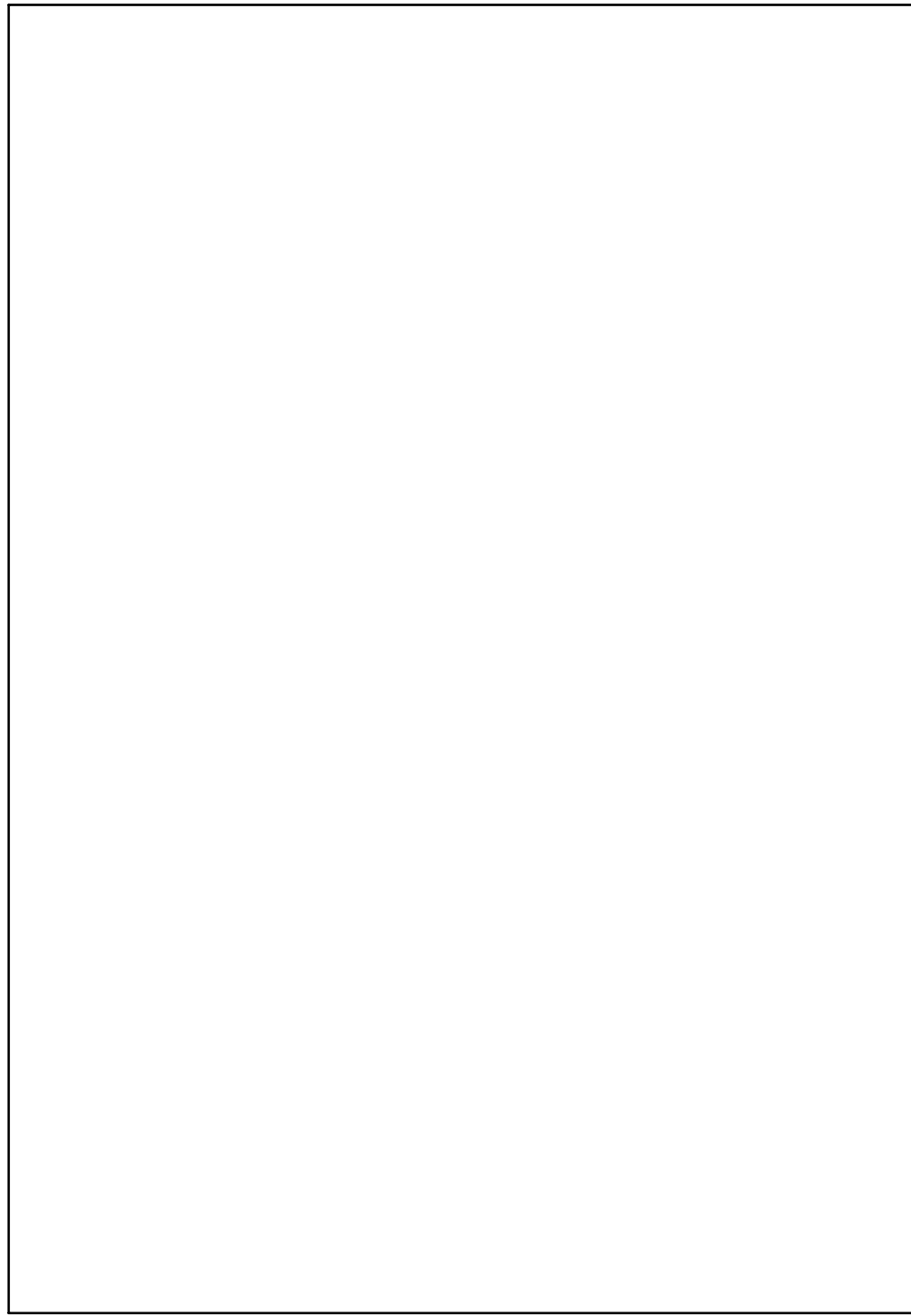
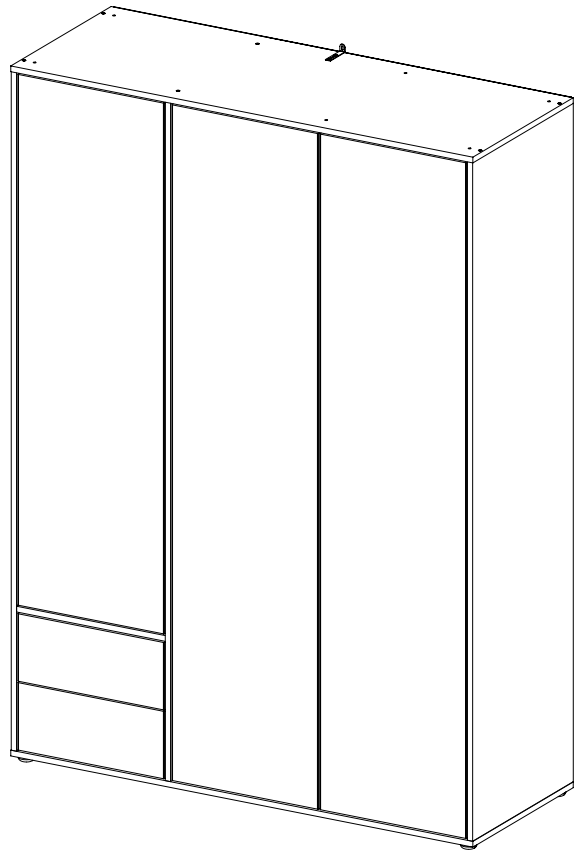
TU030



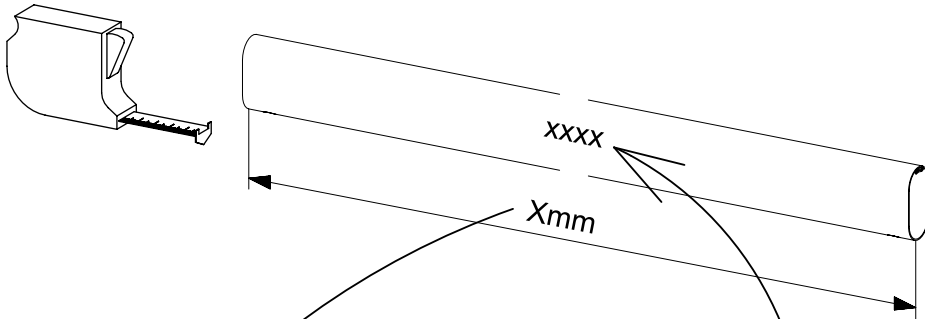
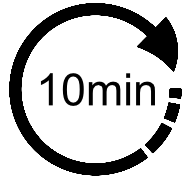
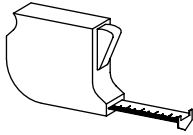
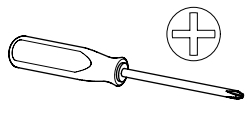
27







# MZ110\_04




Xmm	  	xxxx
393mm	max. 40kg	2000
426mm	max. 40kg	2001
538mm	max. 40kg	2011
563mm	max. 40kg	2002
650mm	max. 40kg	2003
809mm	max. 40kg	2004
873mm	max. 40kg	2006
890mm	max. 40kg	2010
1097mm	max. 40kg	2008

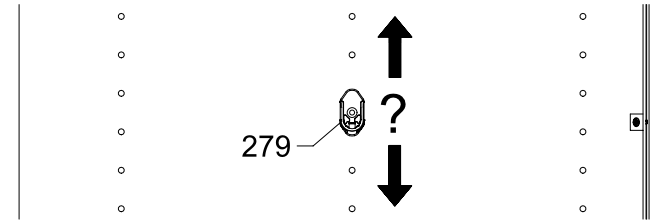
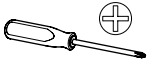
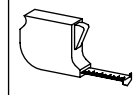


xxxx = 2000, 2001, 2002, 2003, 2004, 2006, 2008, 2010, 2011,

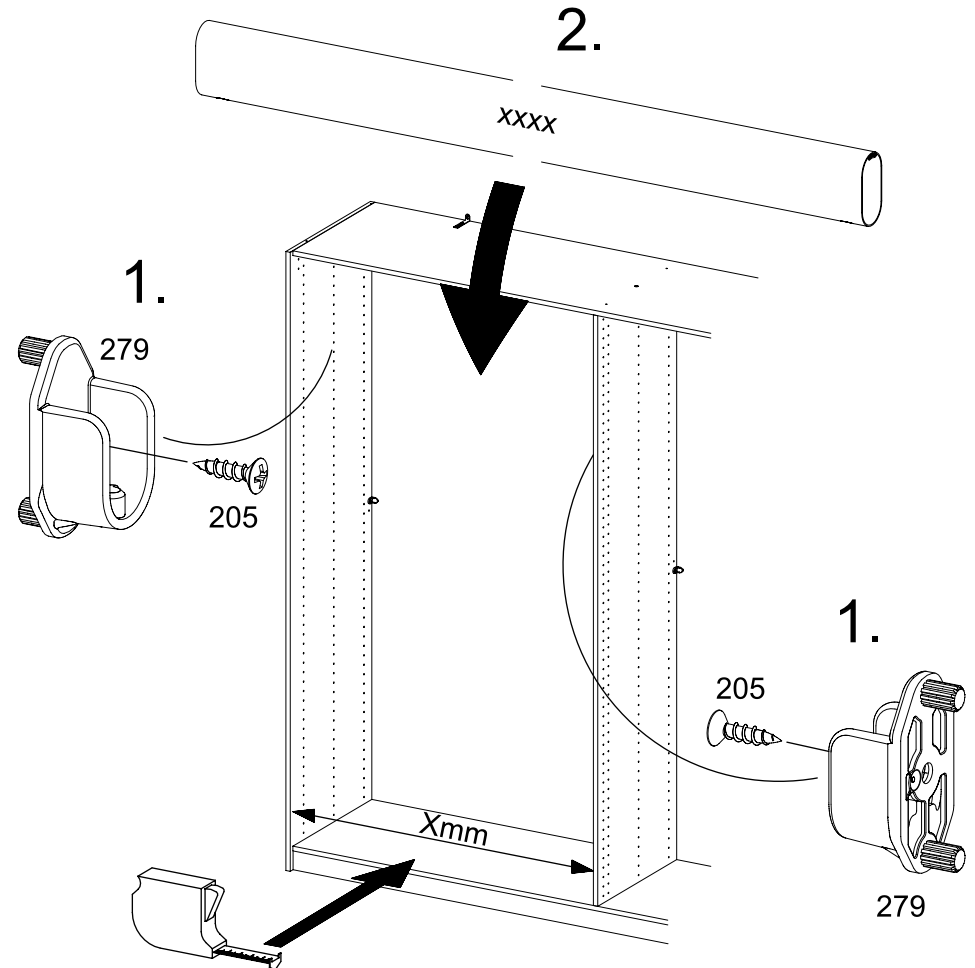
1

2x  3,5x15

2x 

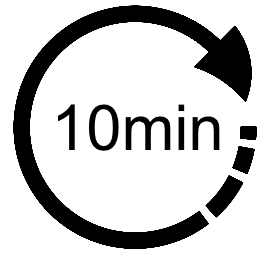
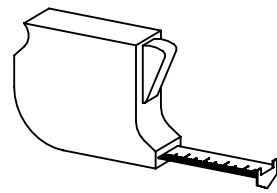


2.

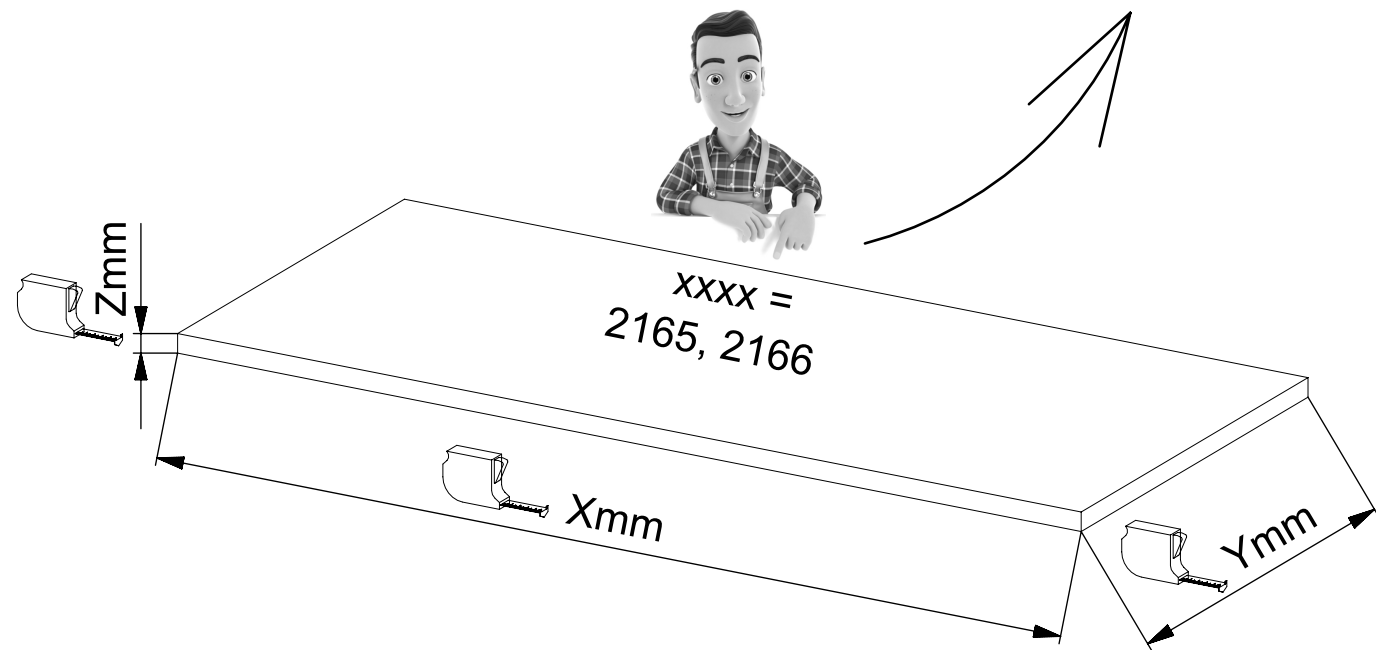


MZ256\_01

rauch

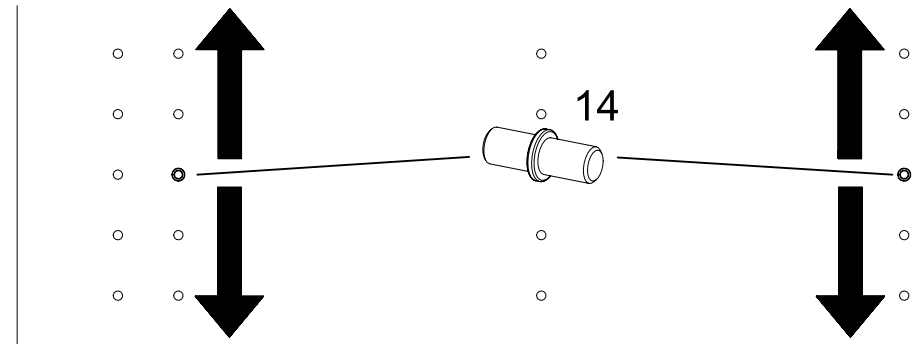
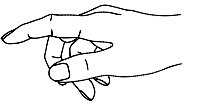


Xmm	Ymm	Zmm	max. 10kg	XXXX
450mm	450mm	16mm	max. 10kg	2165
898mm	450mm	16mm	max. 10kg	2166



1

4x 14



2.

