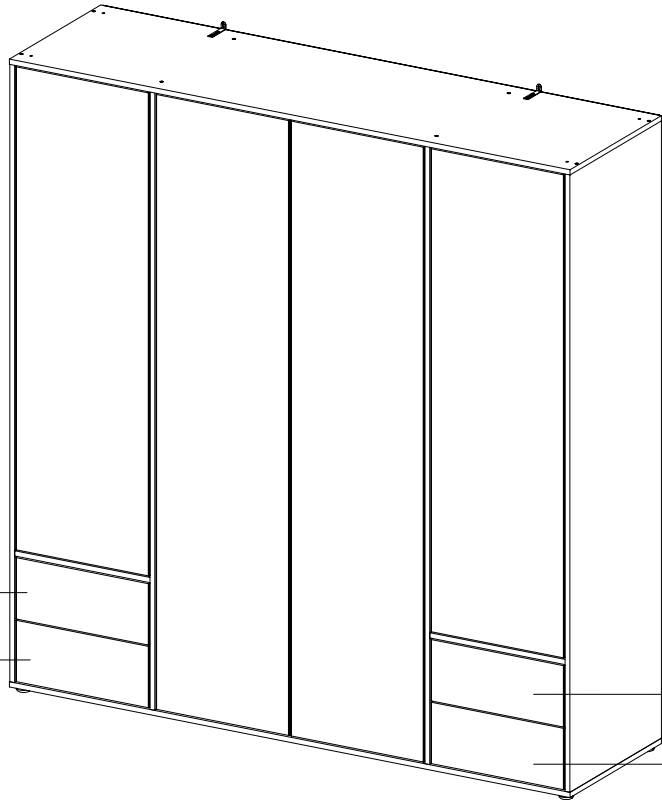
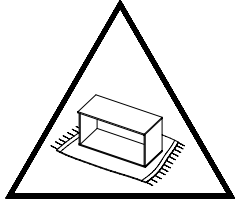
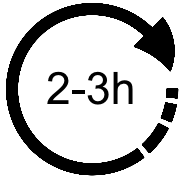
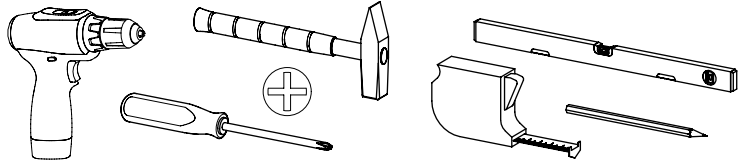


# M2991\_01

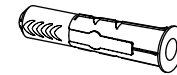
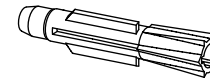
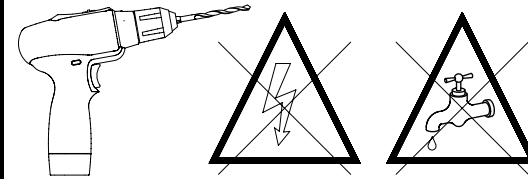
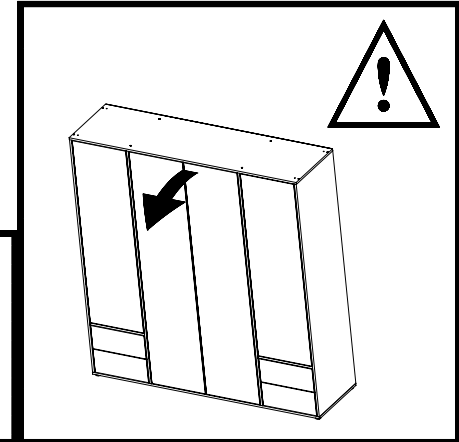
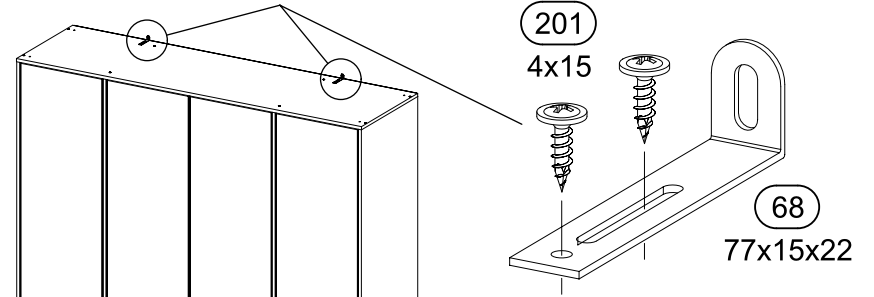


SK020

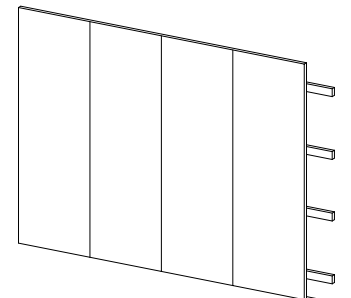
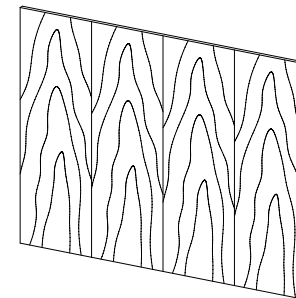
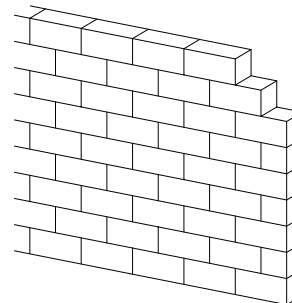
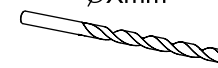
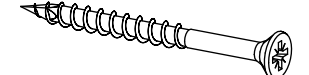
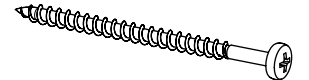
SK010

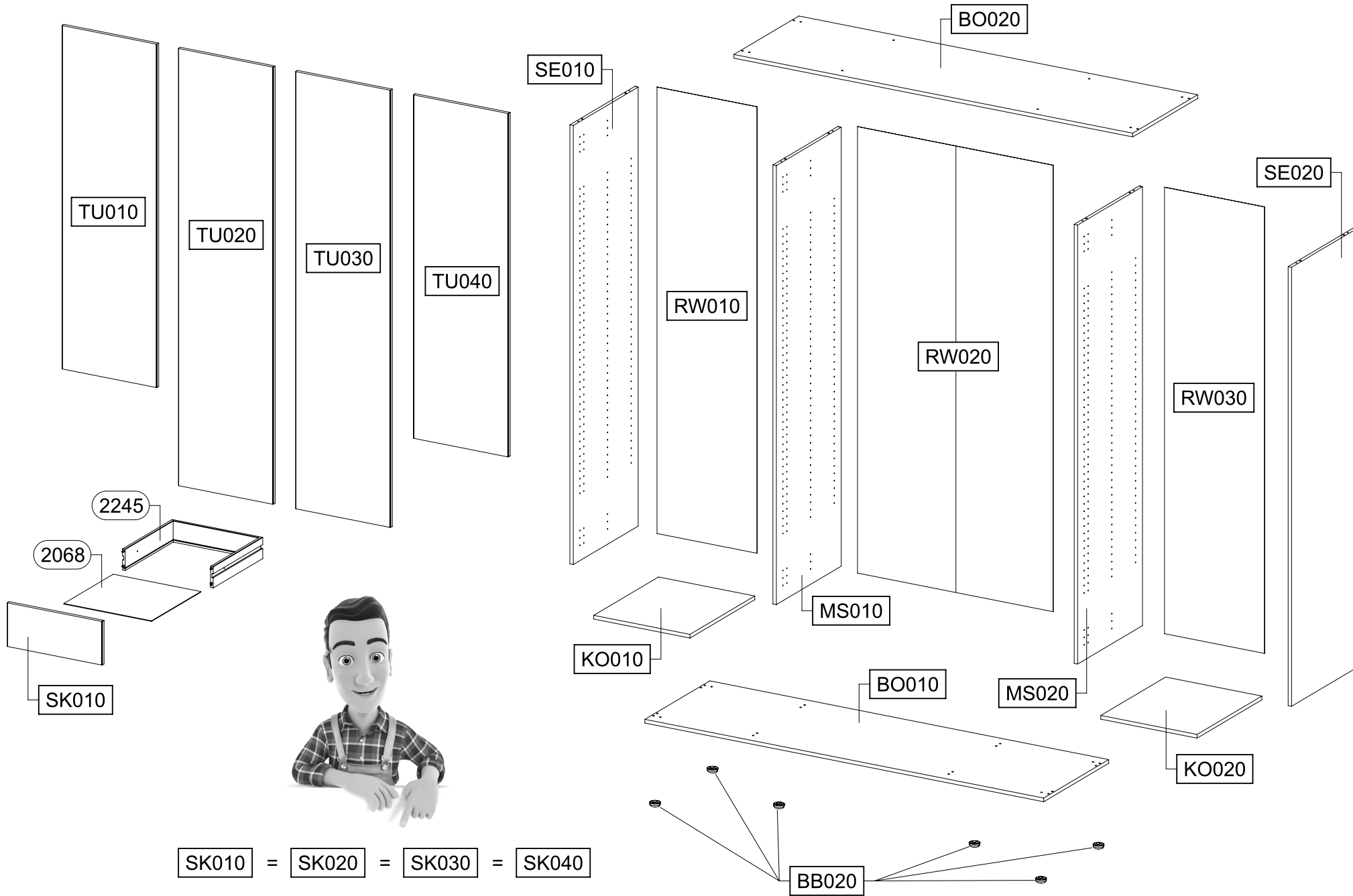
SK040

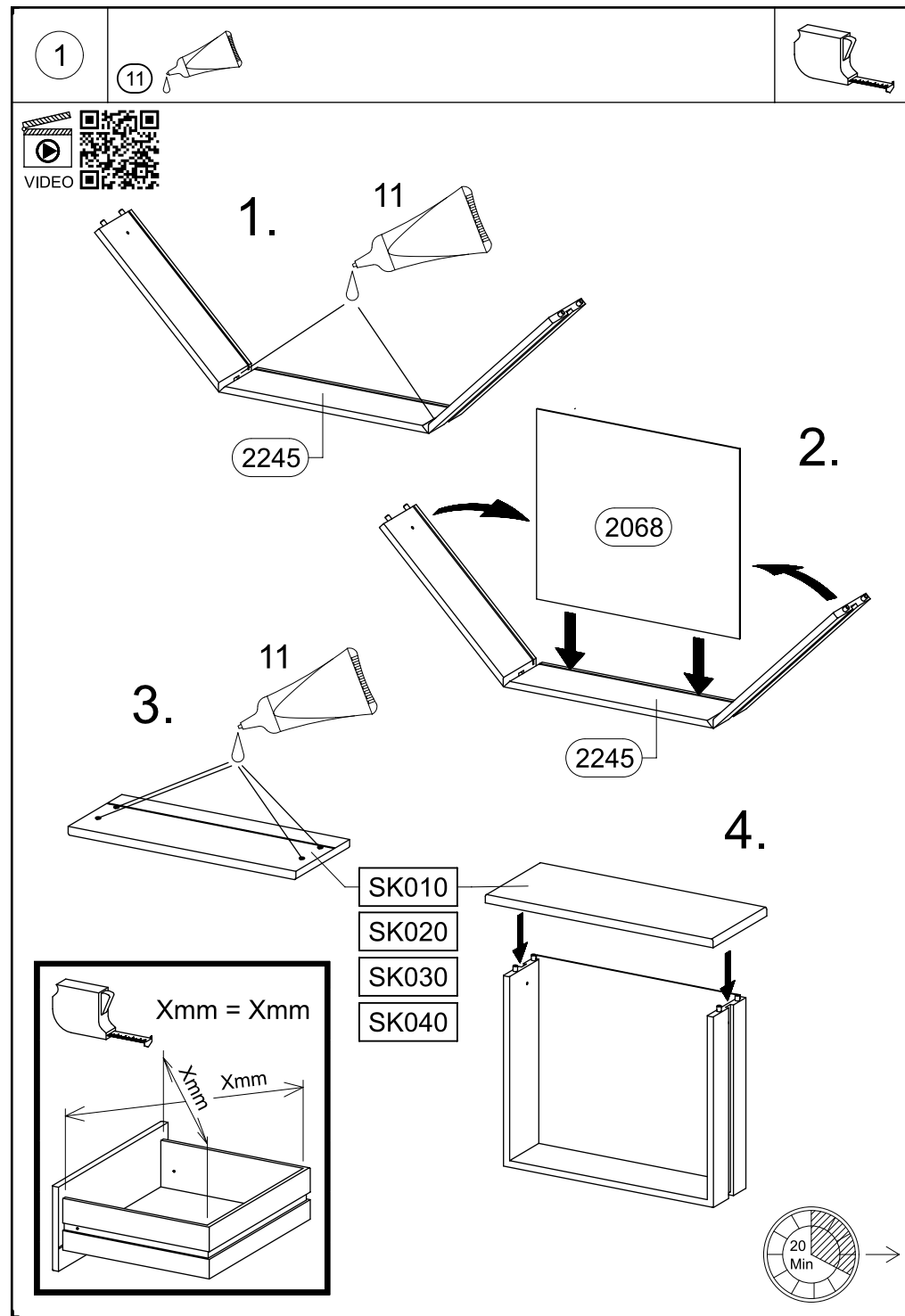
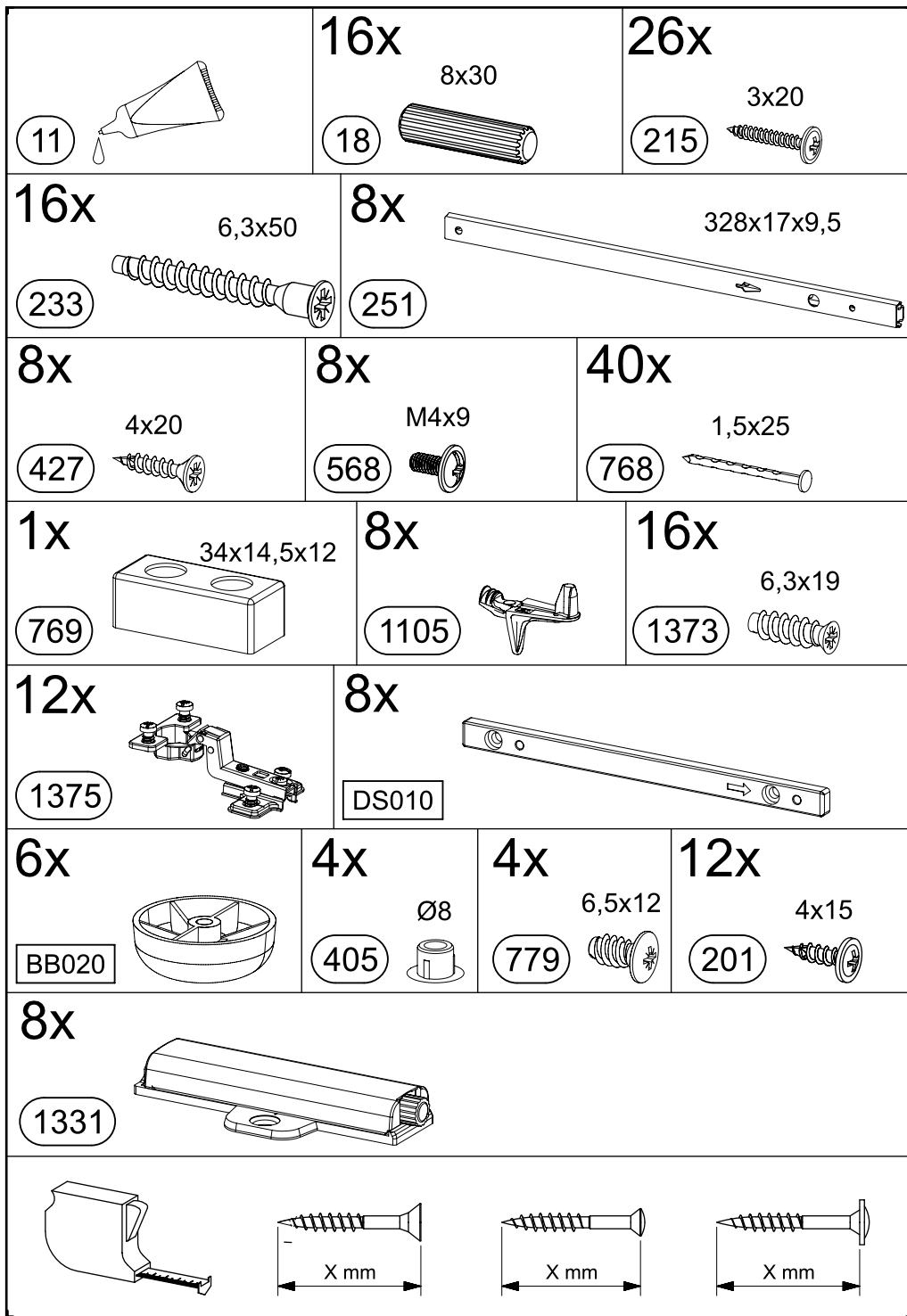
SK030

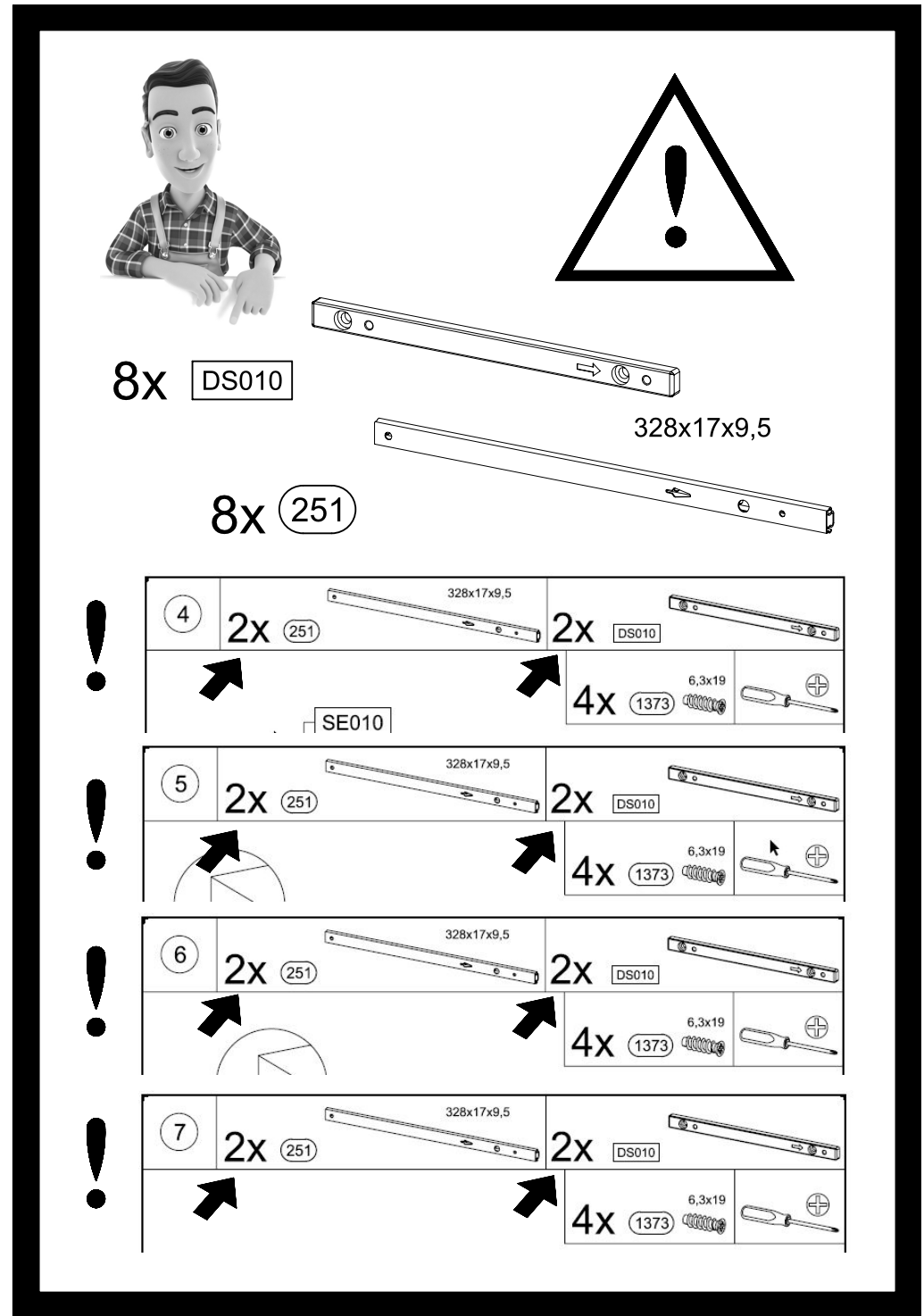
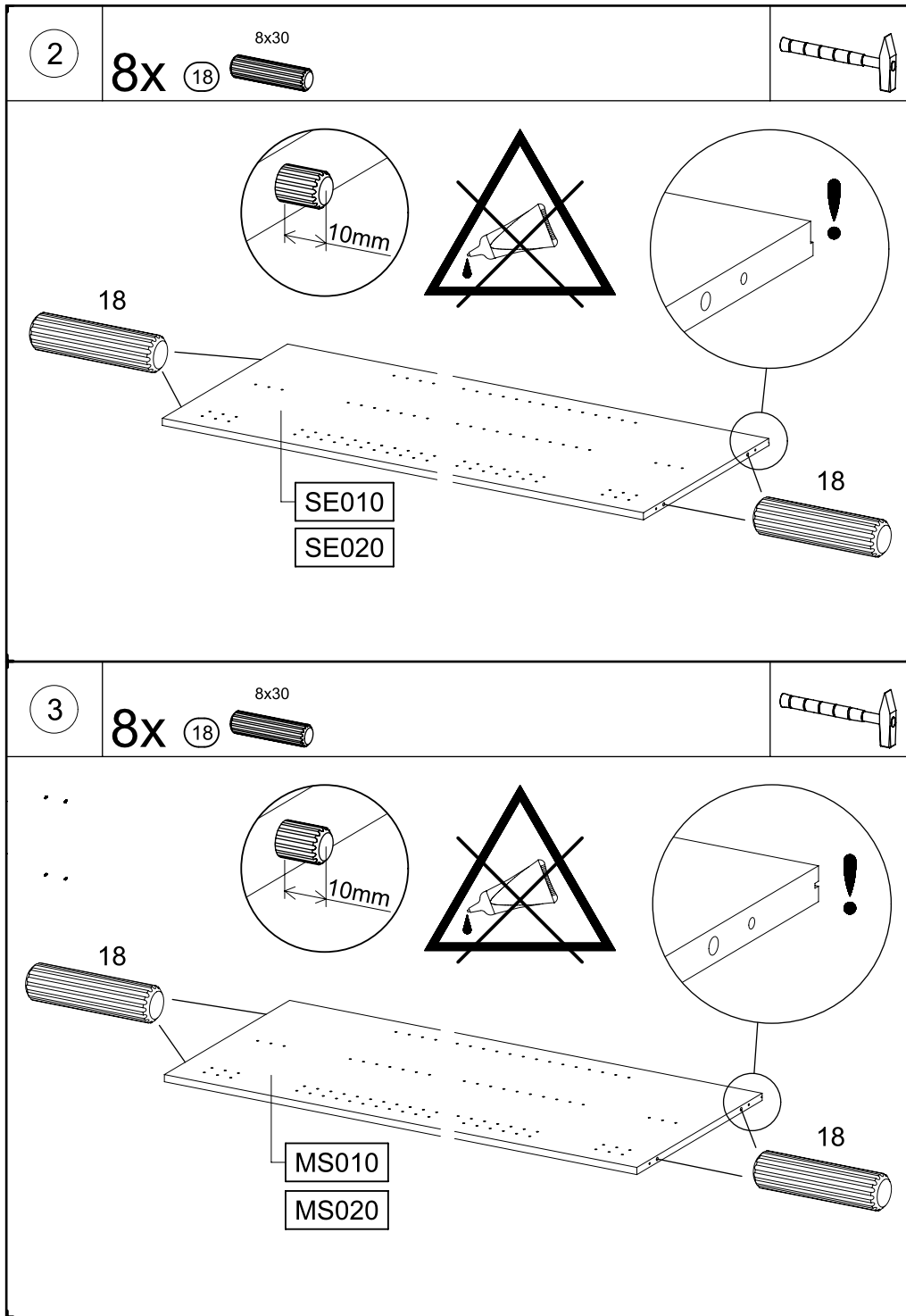


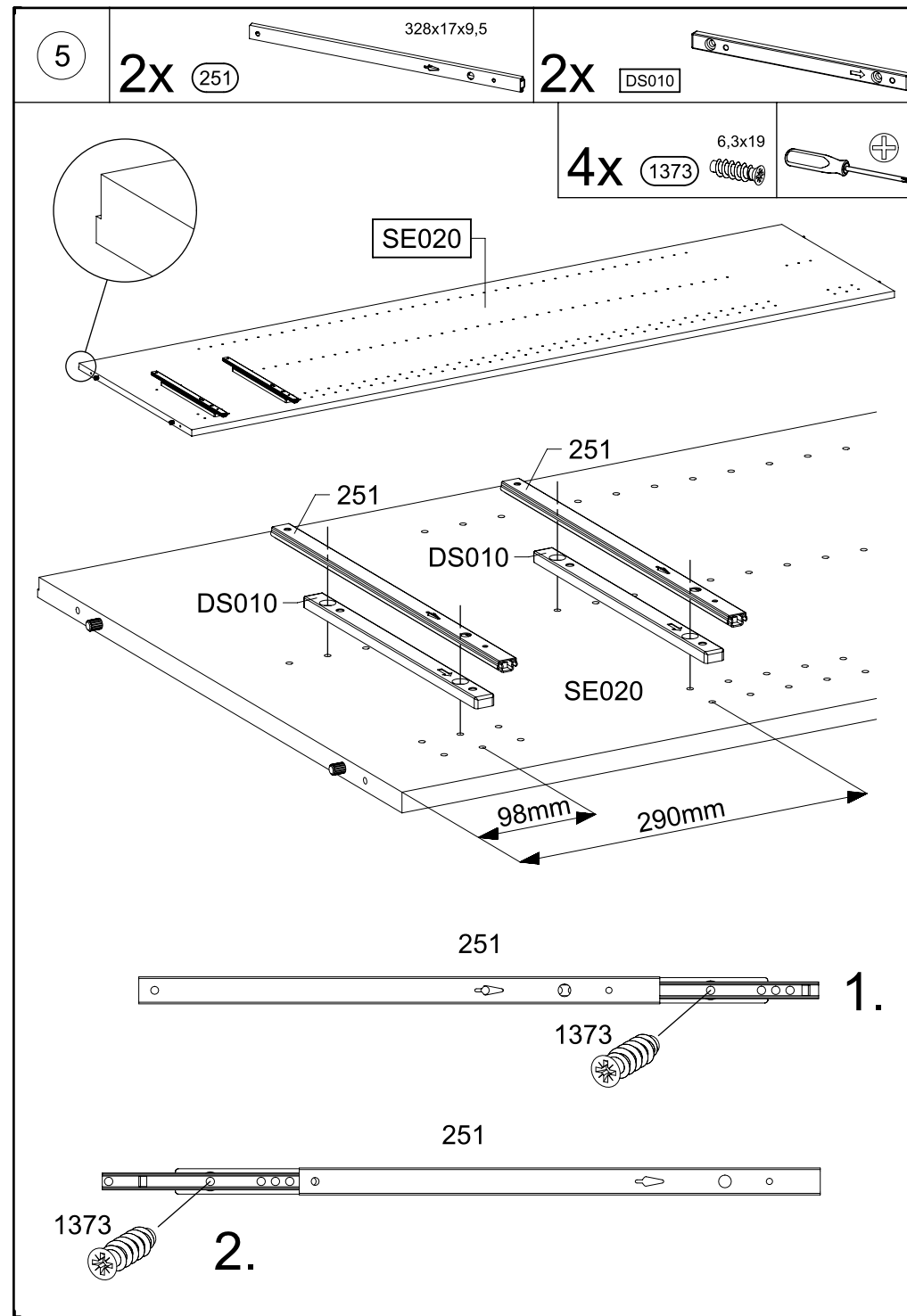
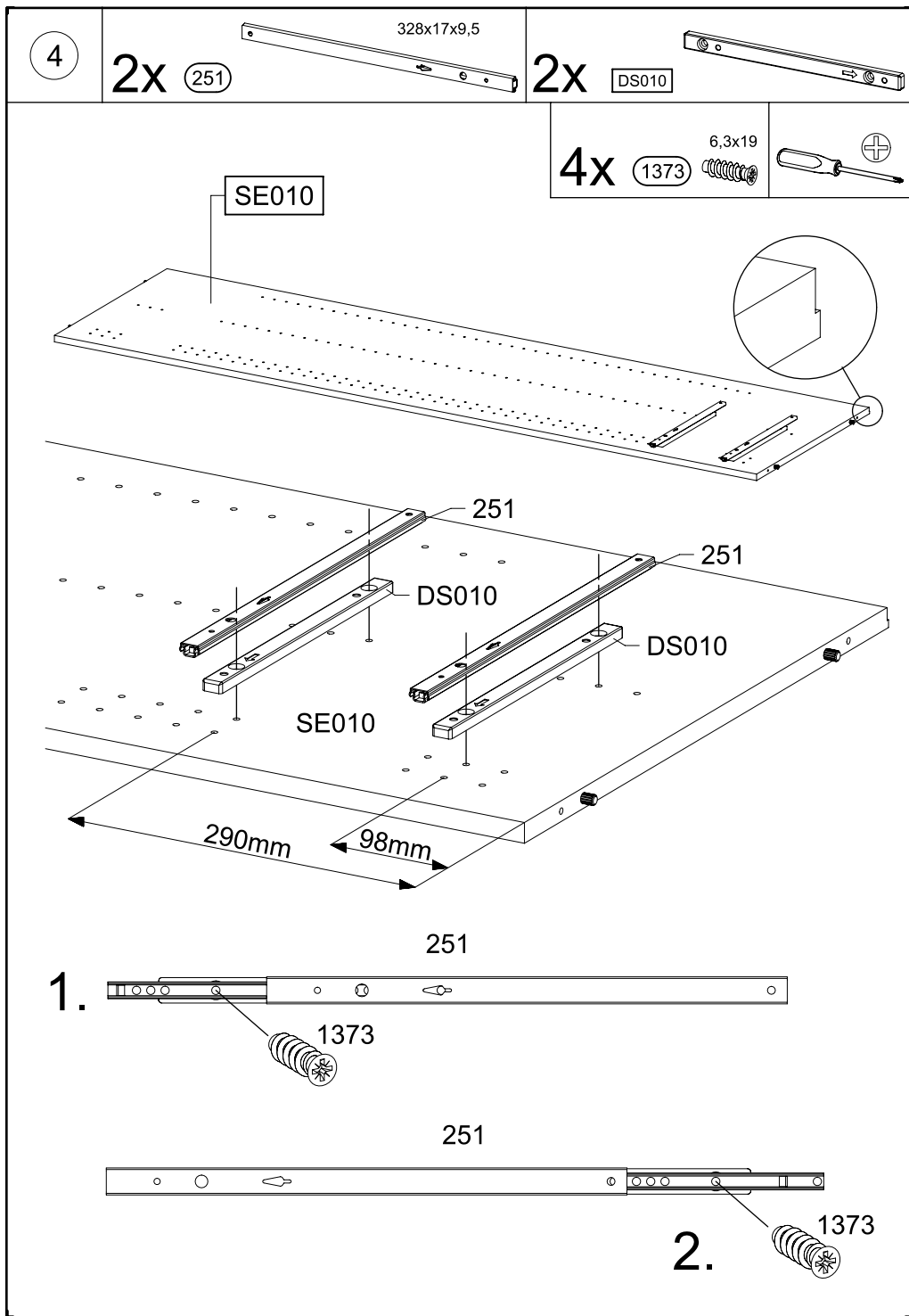
ØXmm

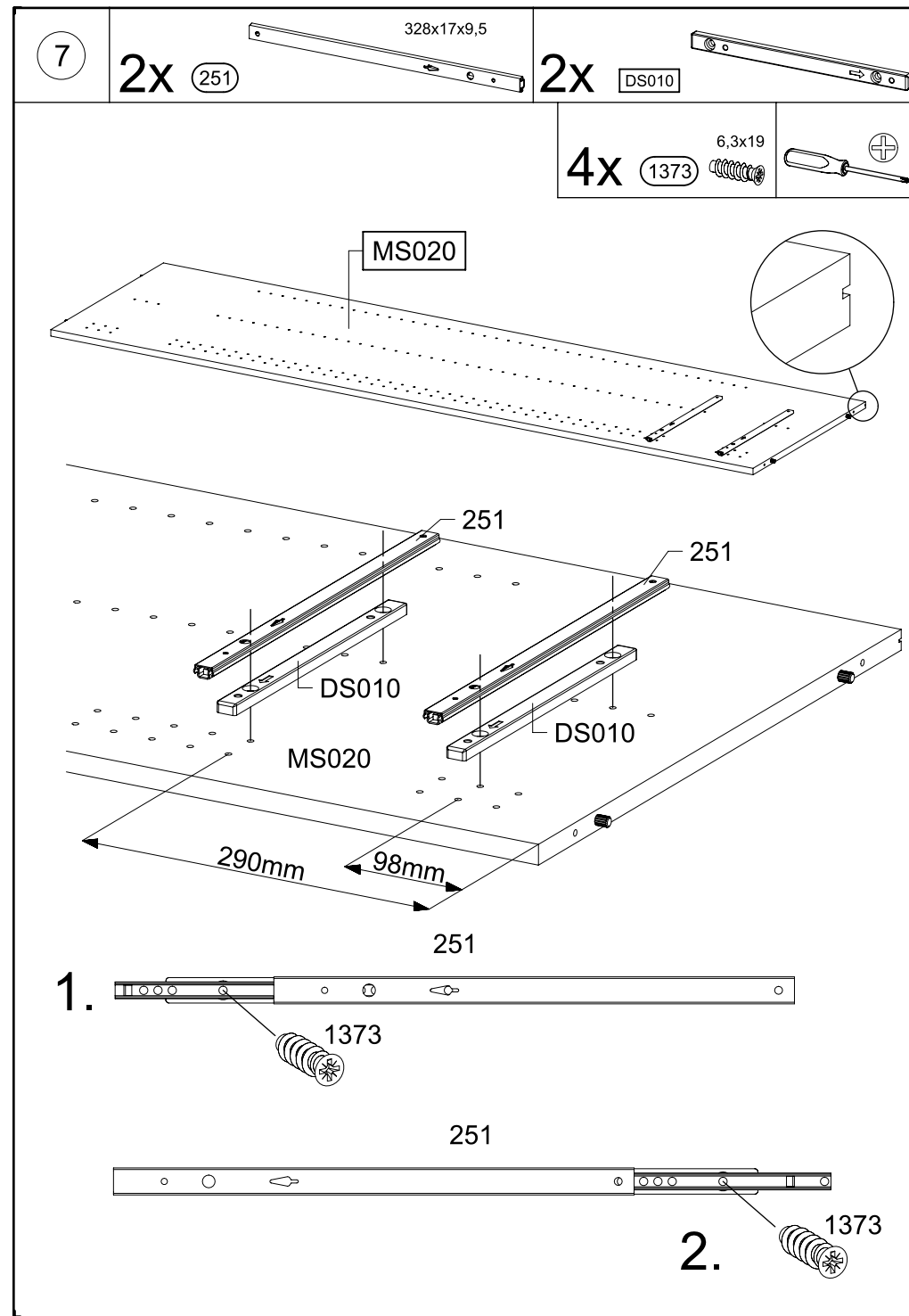
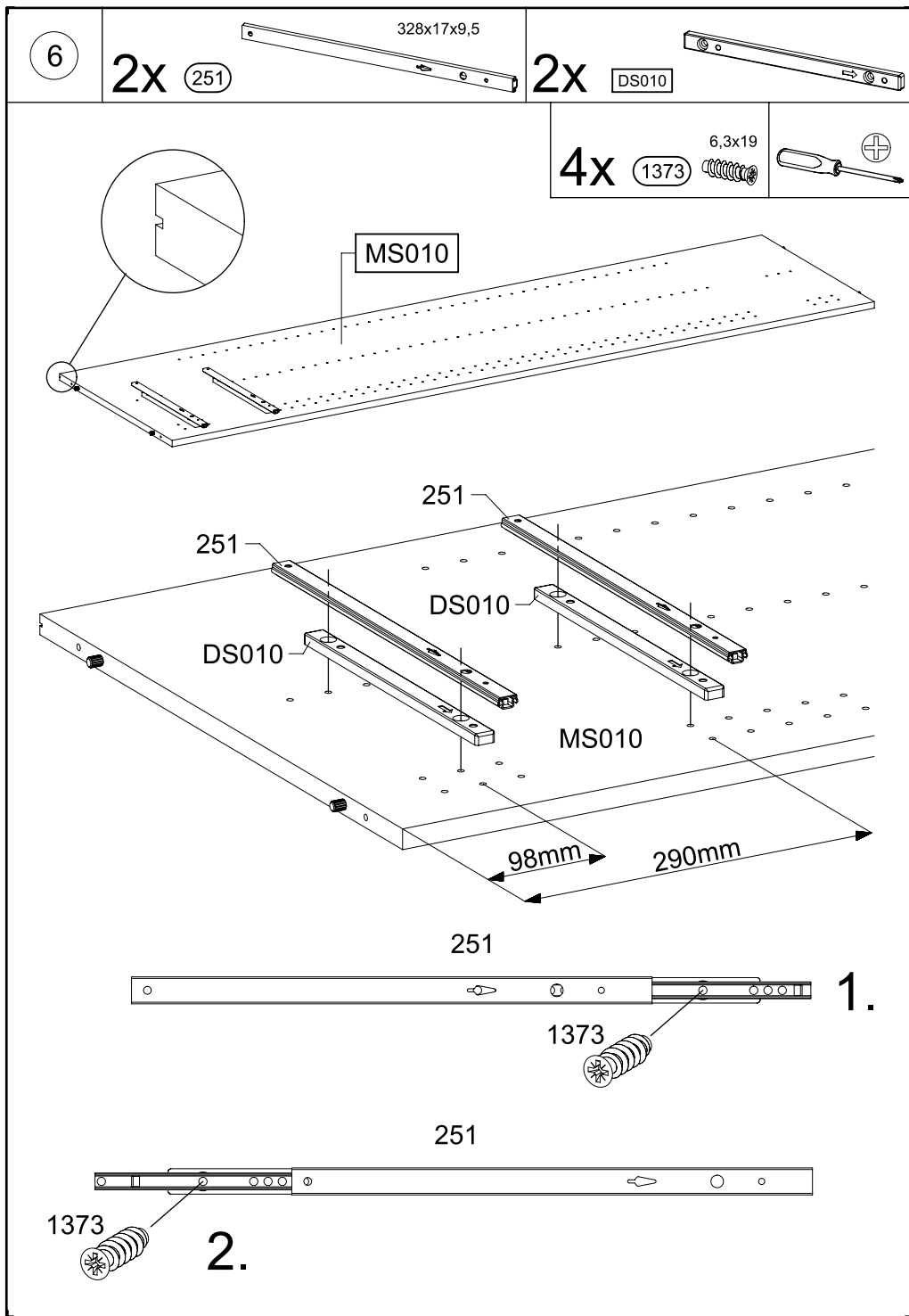




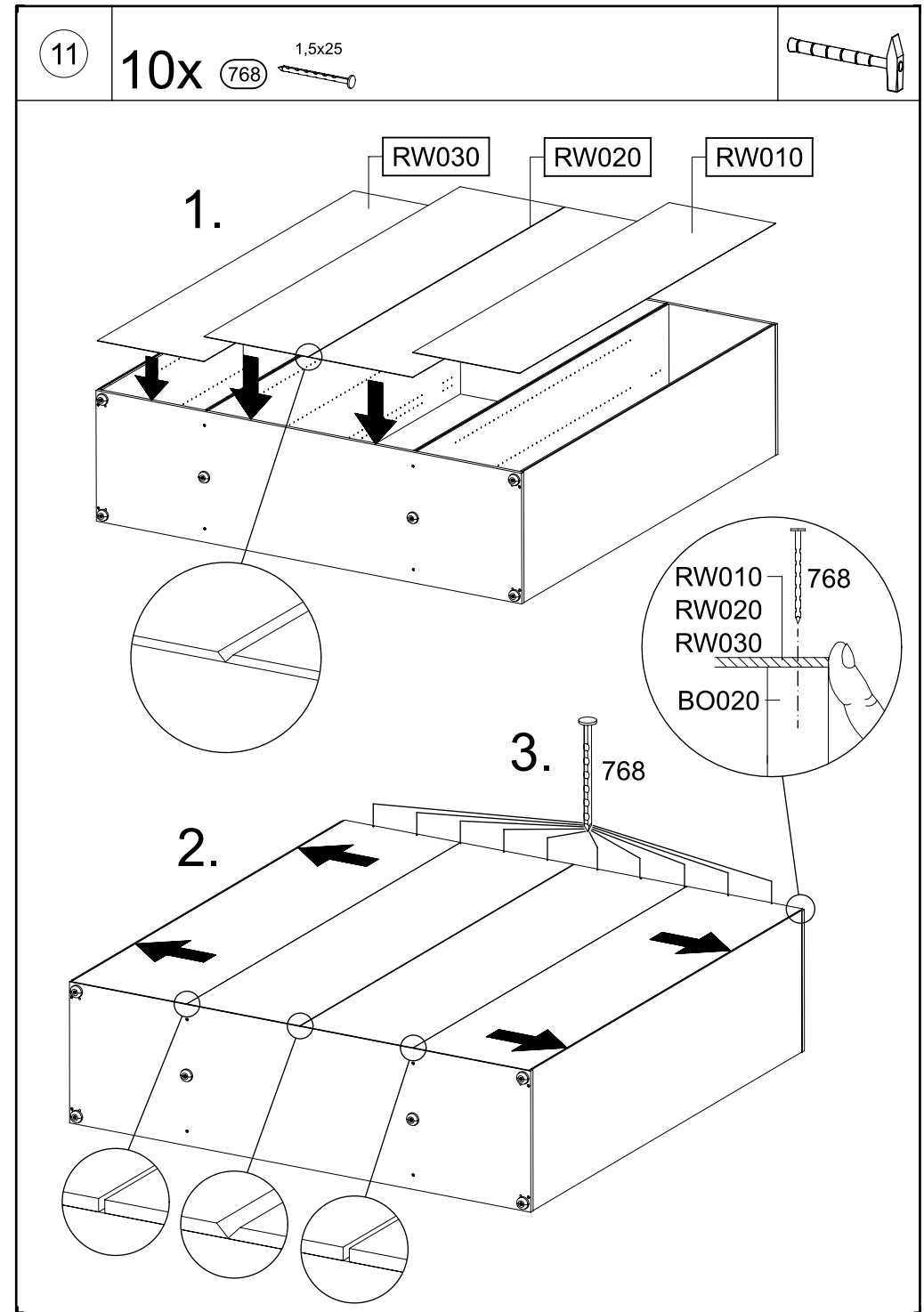
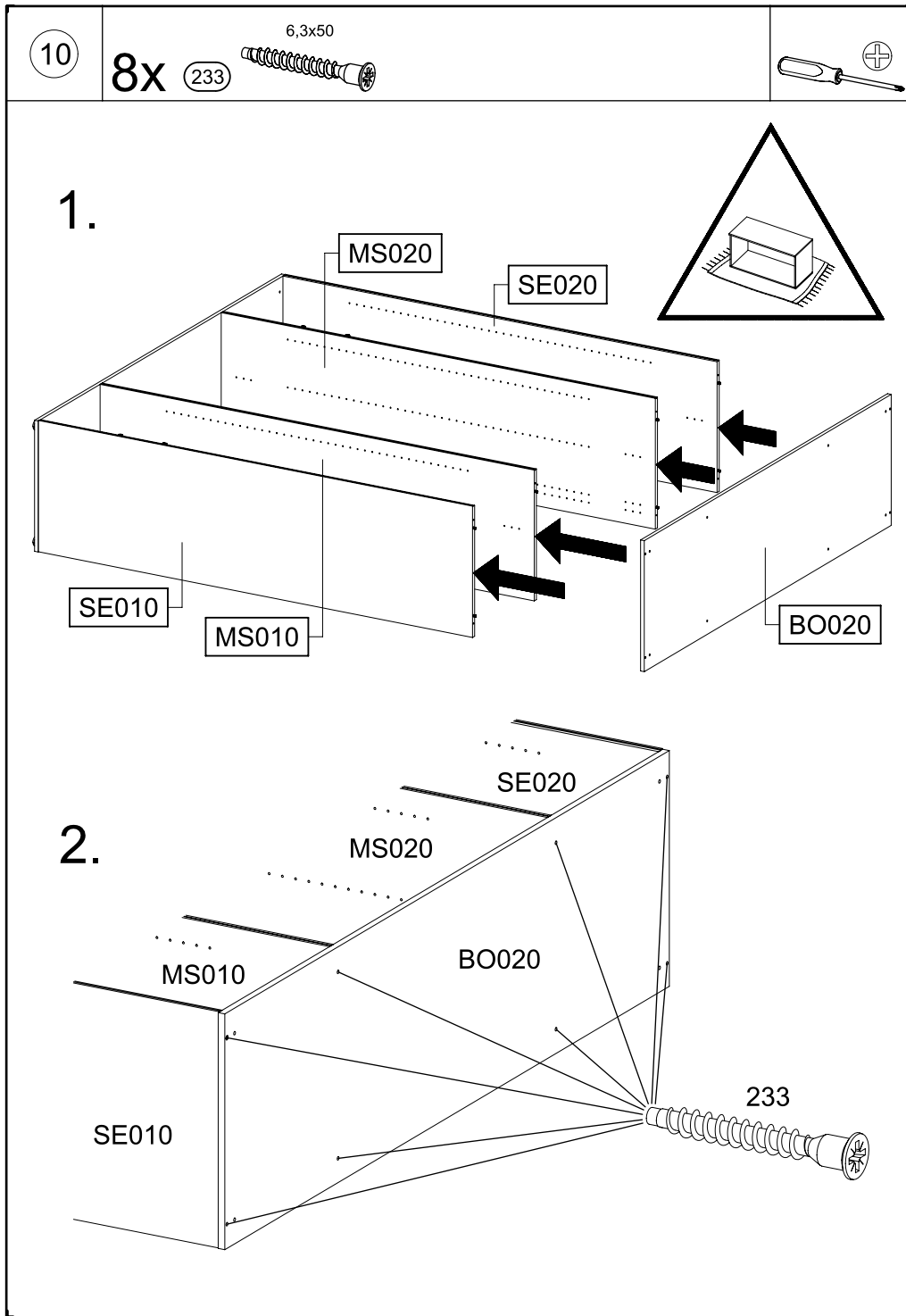










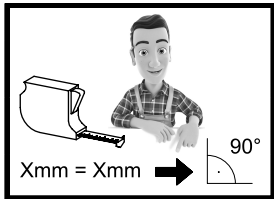
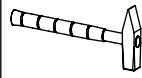
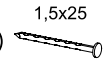


12

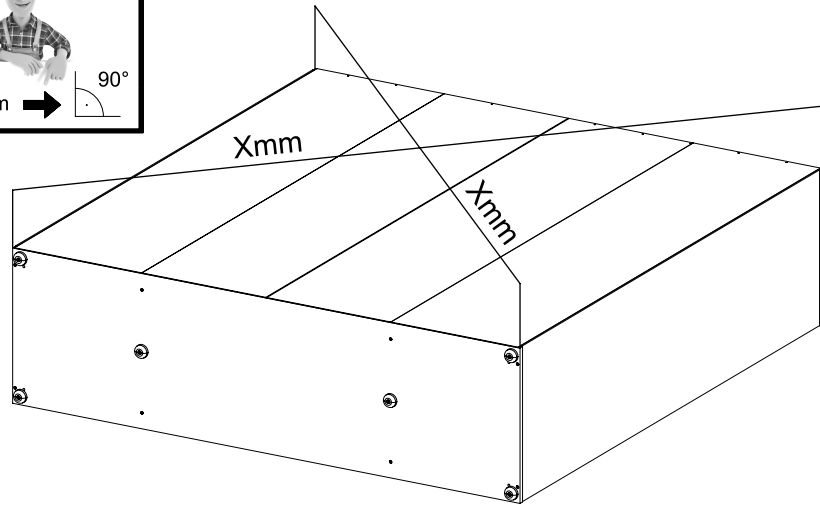
10x

768

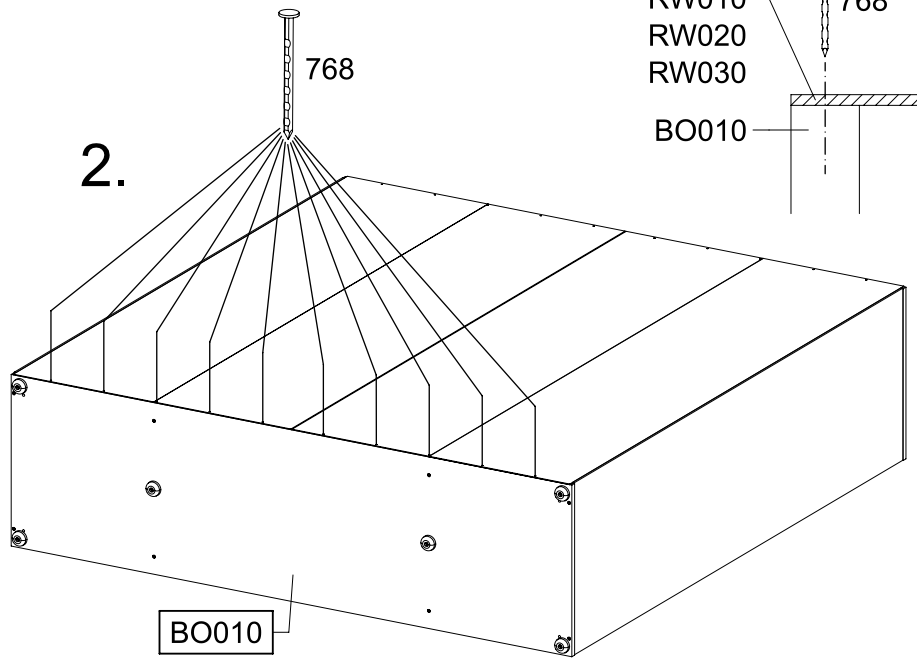
1,5x25



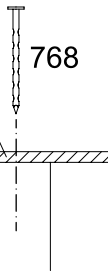
1.



2.



RW010  
RW020  
RW030  
BO010

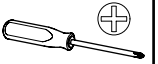


13

20x

215

3x20



RW030

RW010

RW020

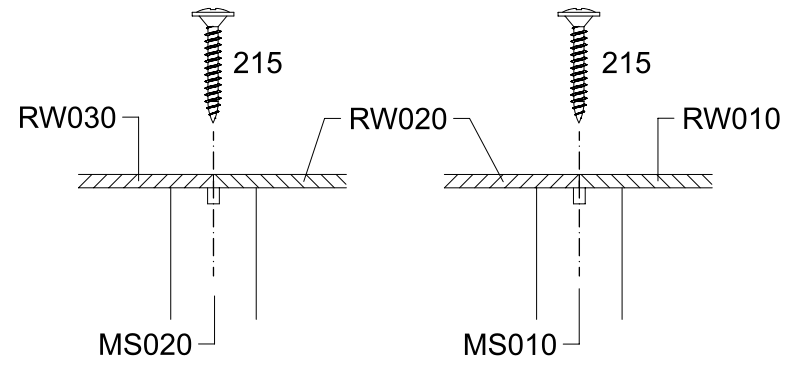
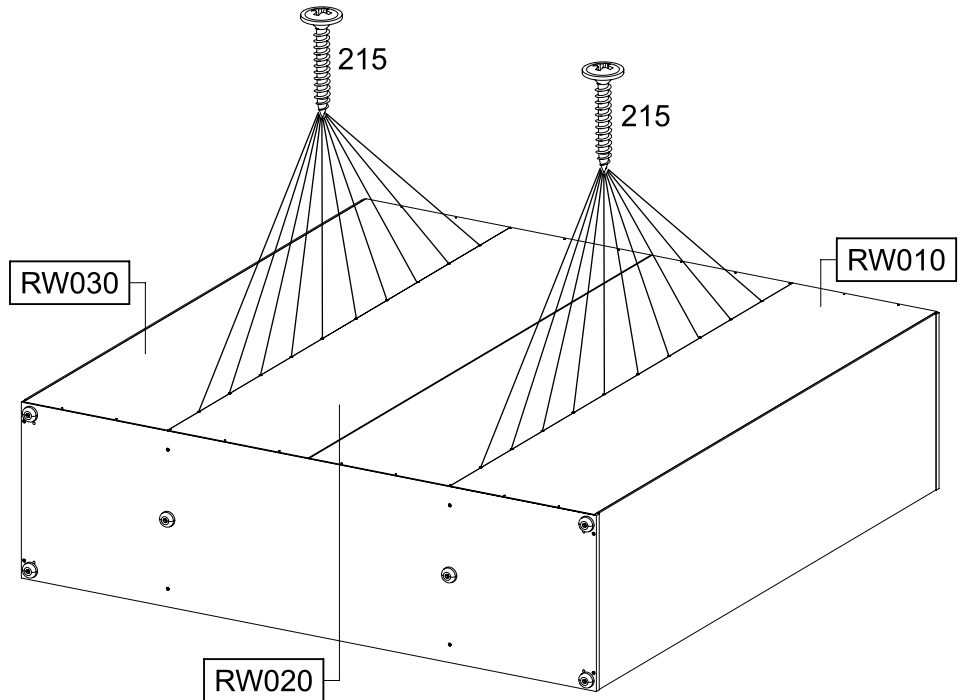
RW030

RW020

RW010

MS020

MS010

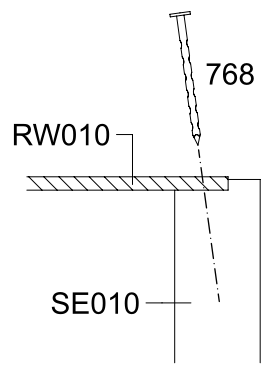
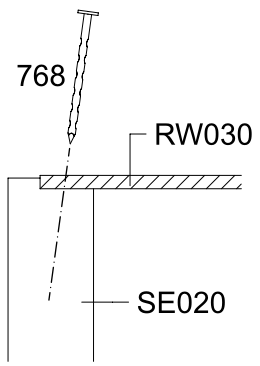
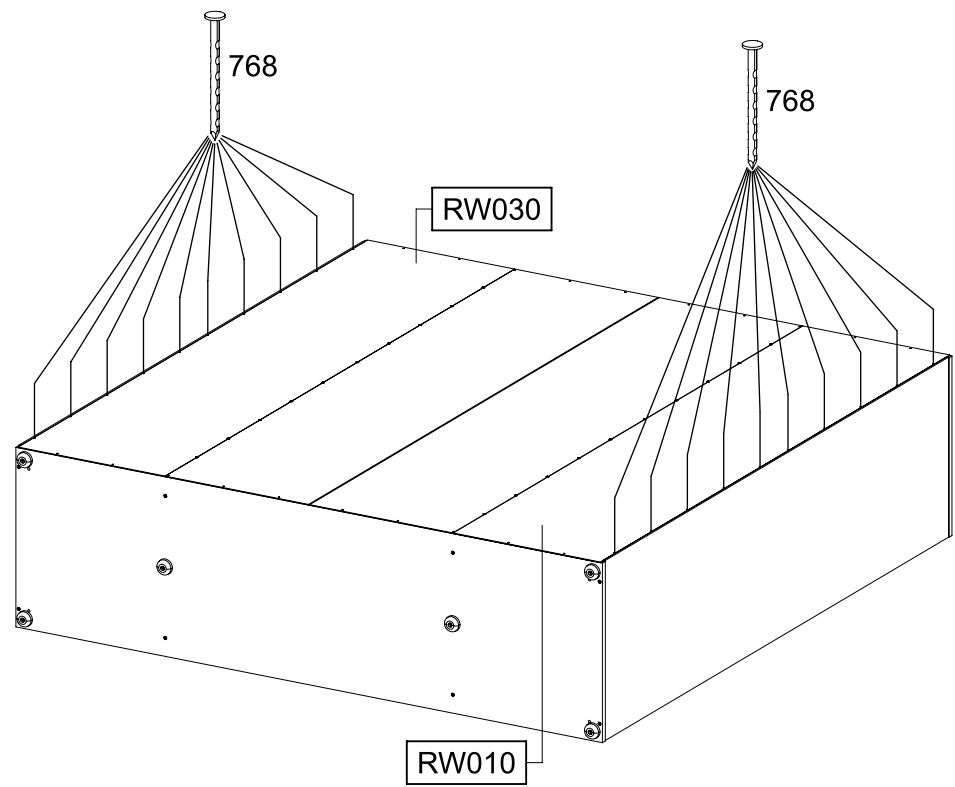
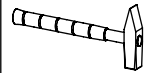


14

20x

768

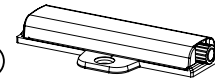
1,5x25



15

1x

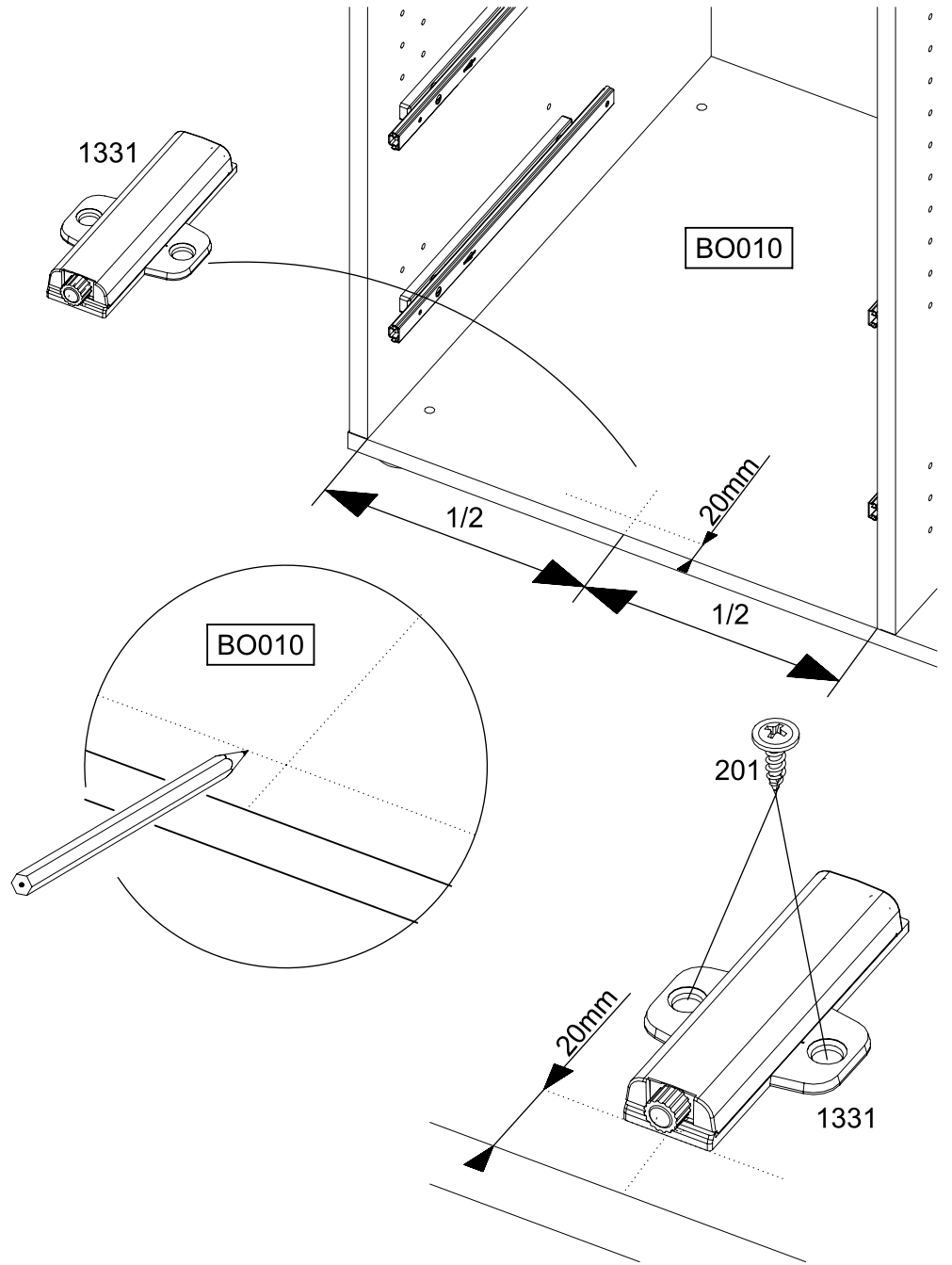
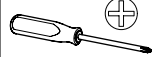
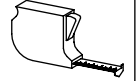
1331

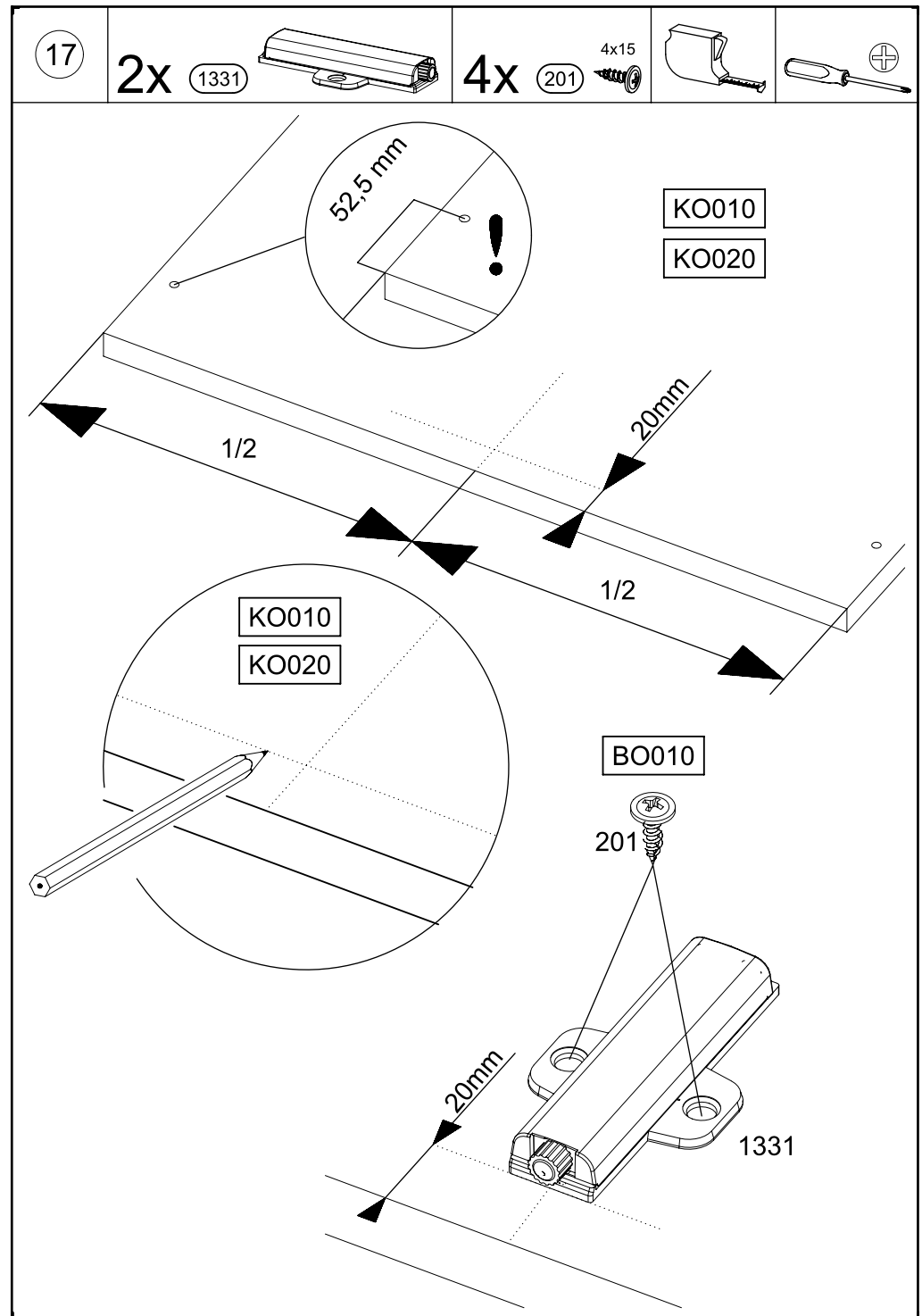
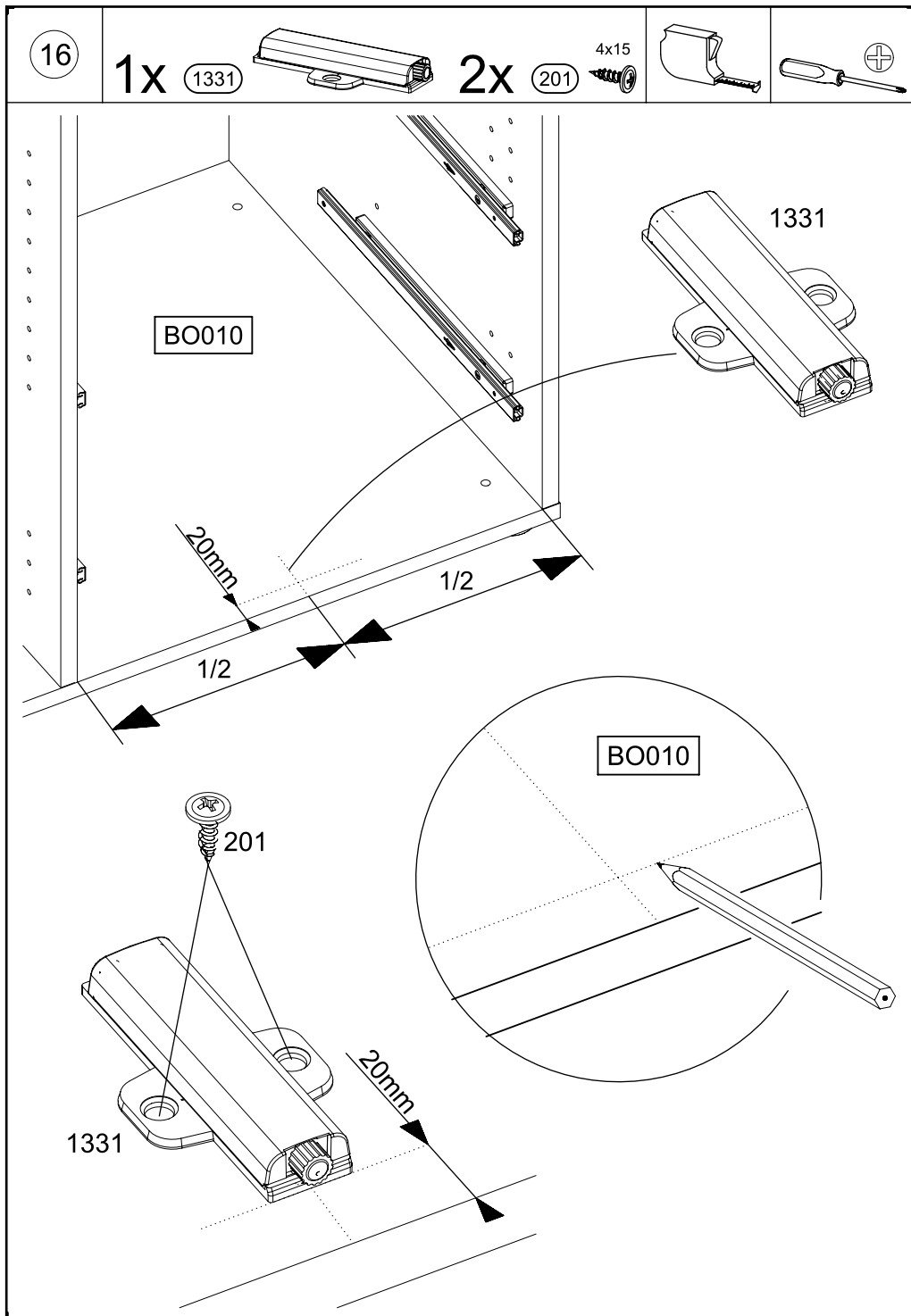


2x

201

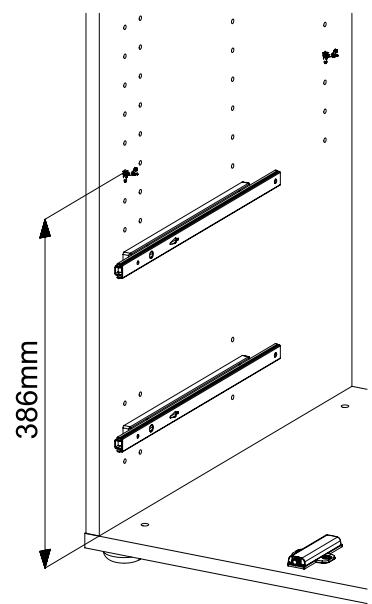
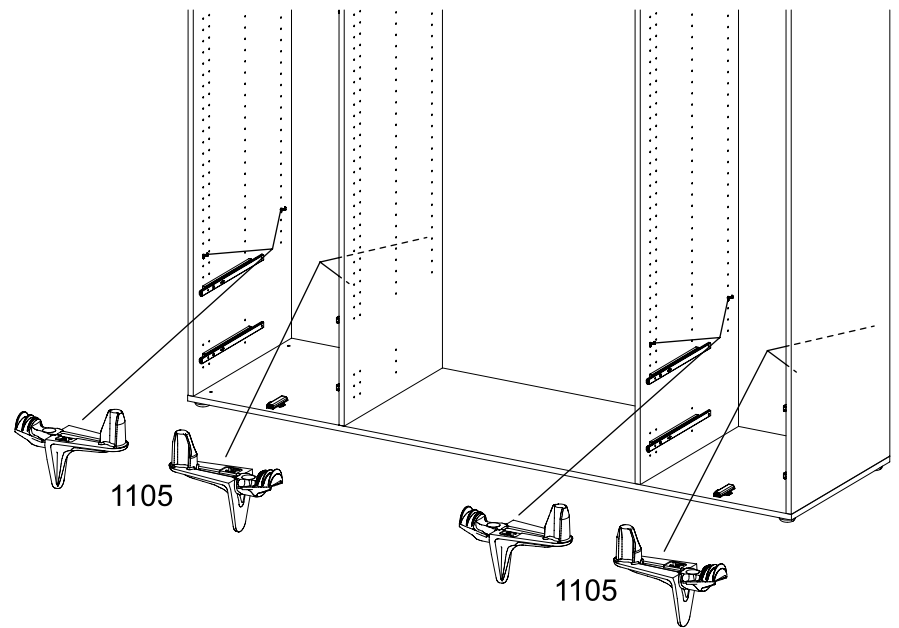
4x15



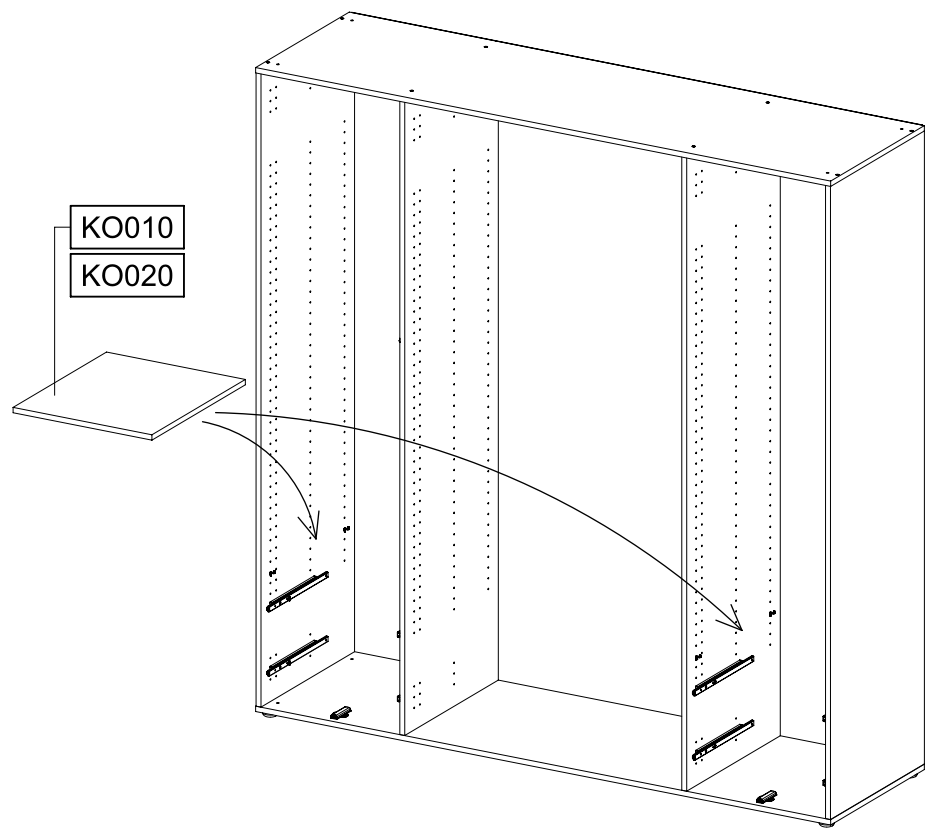


18

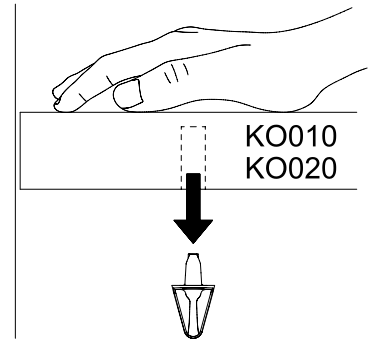
8x 1105

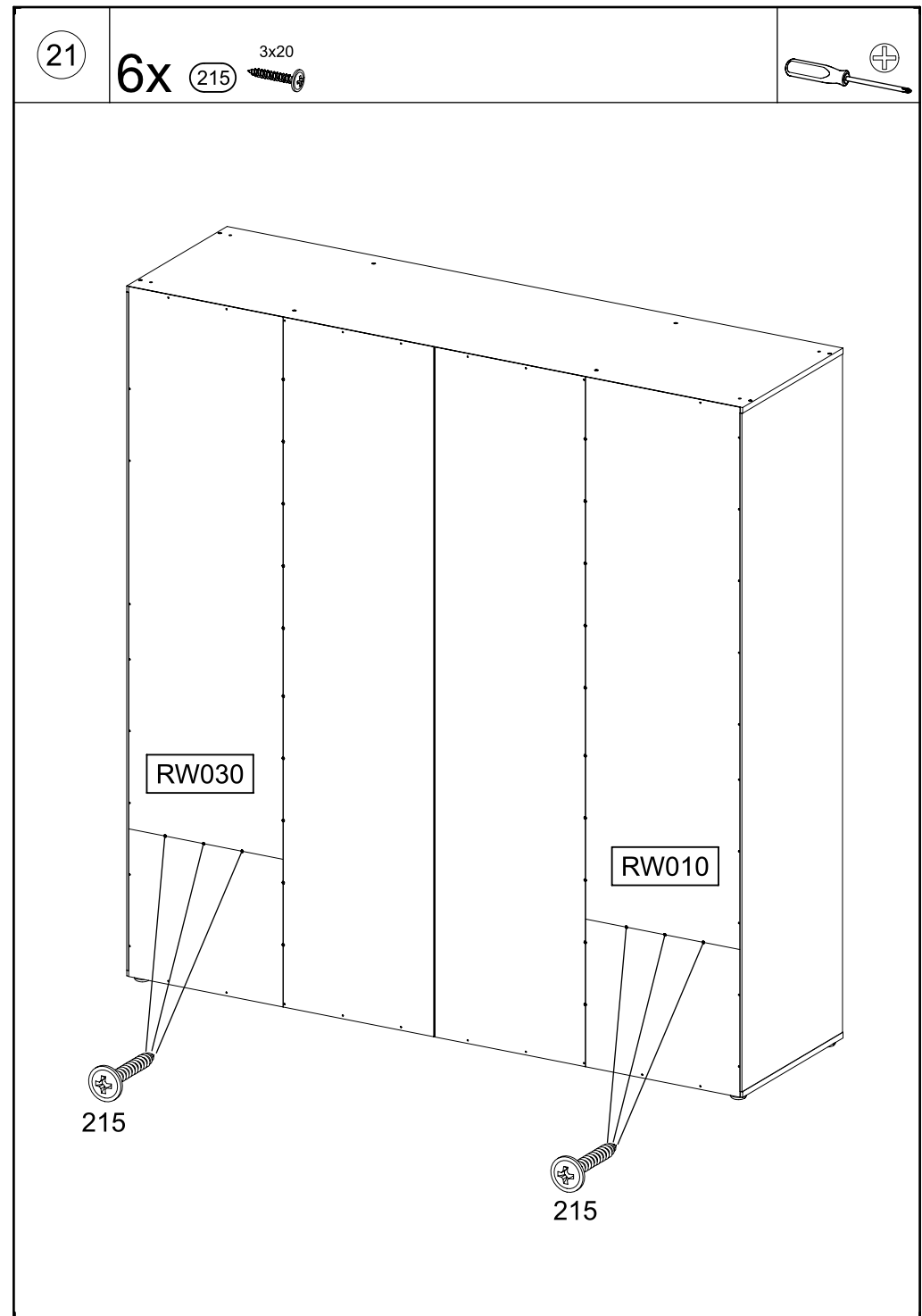
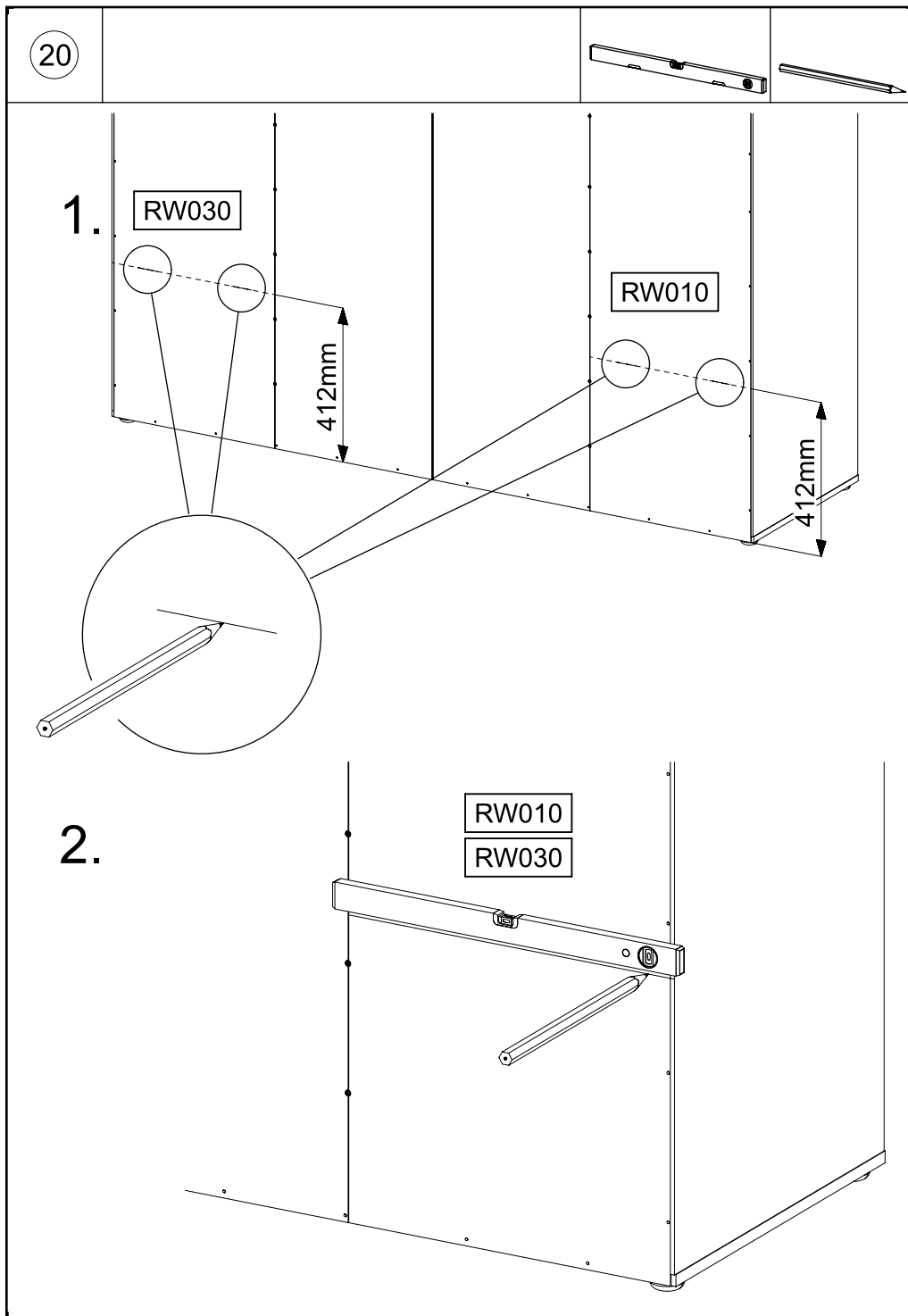


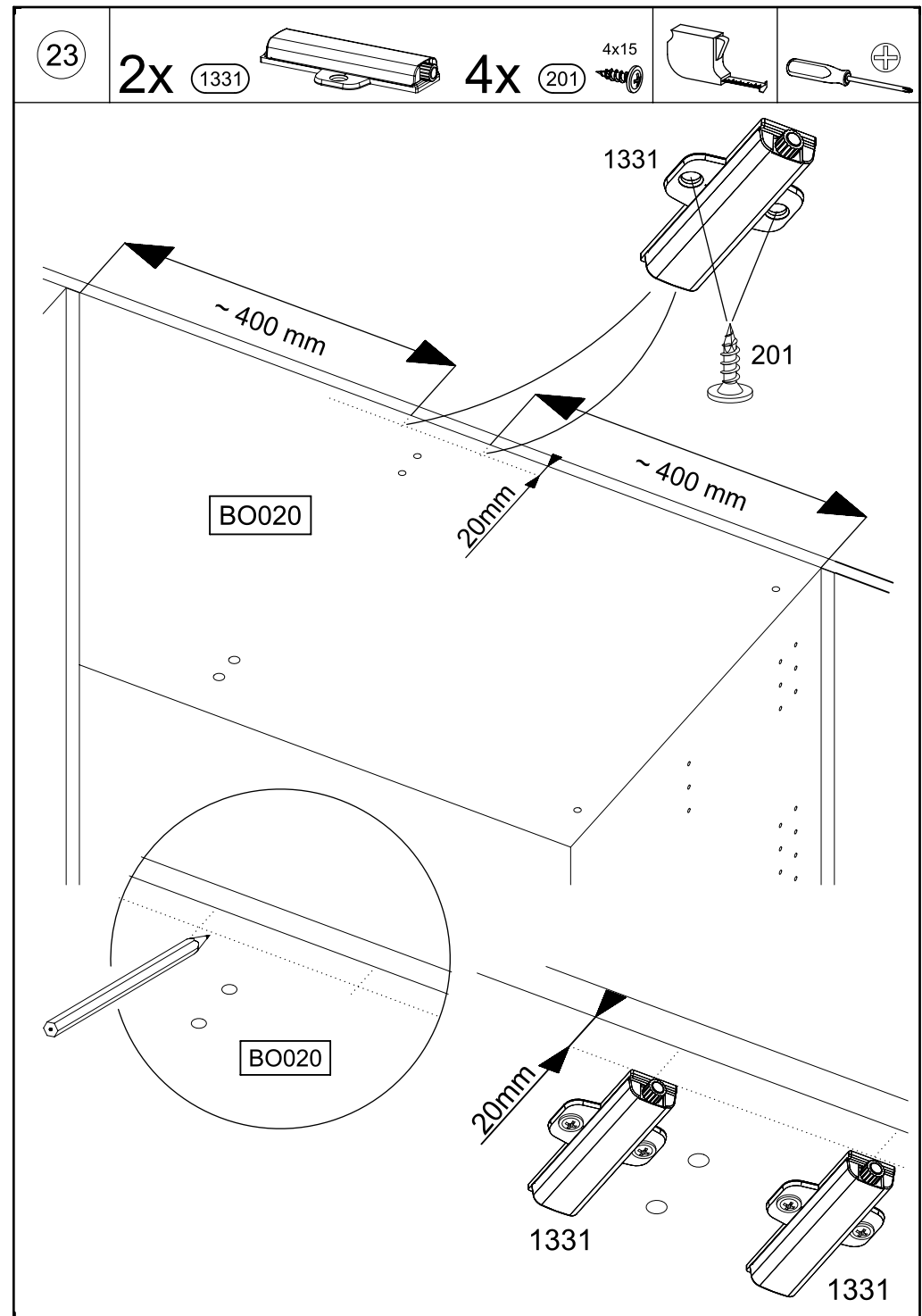
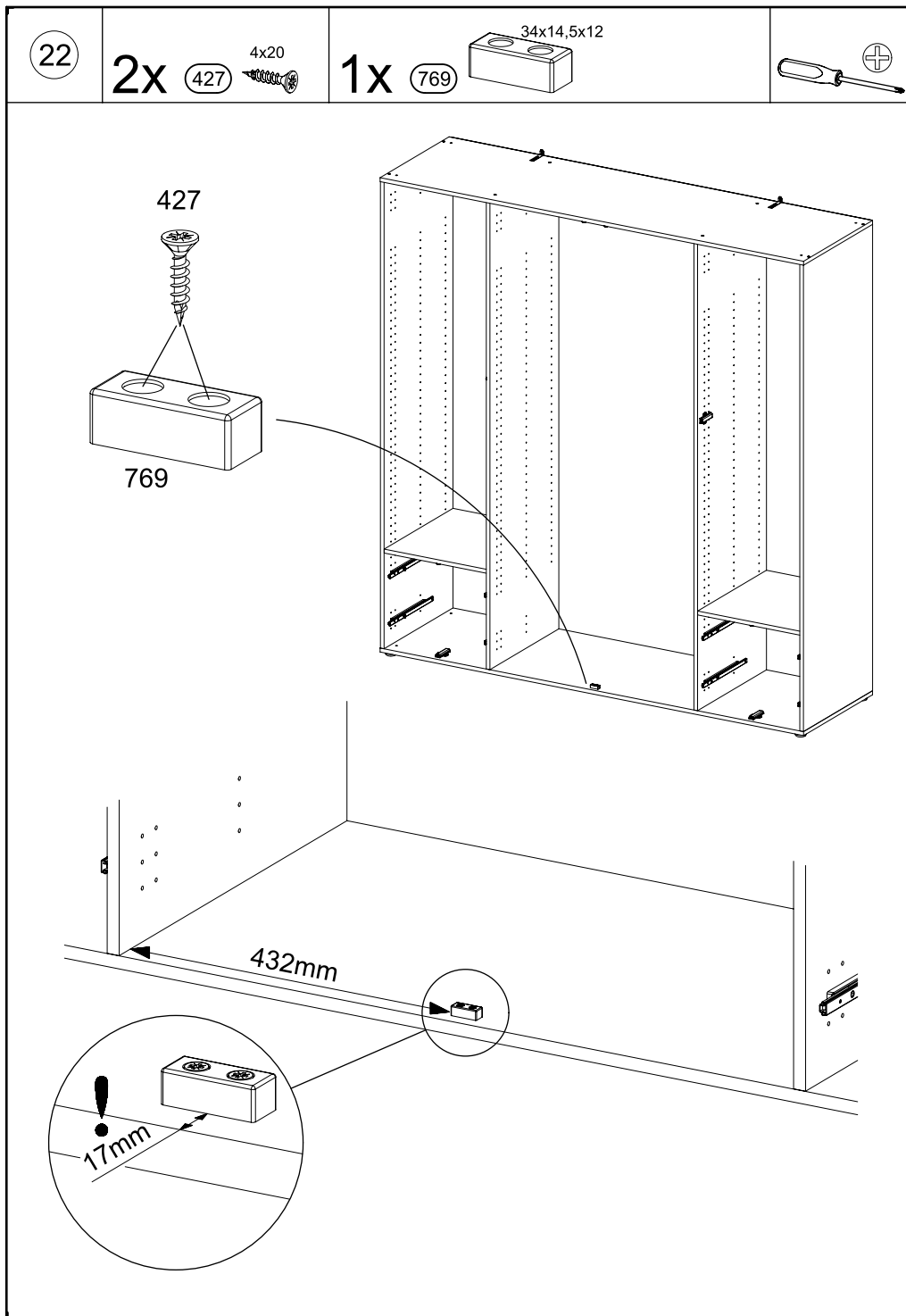
19

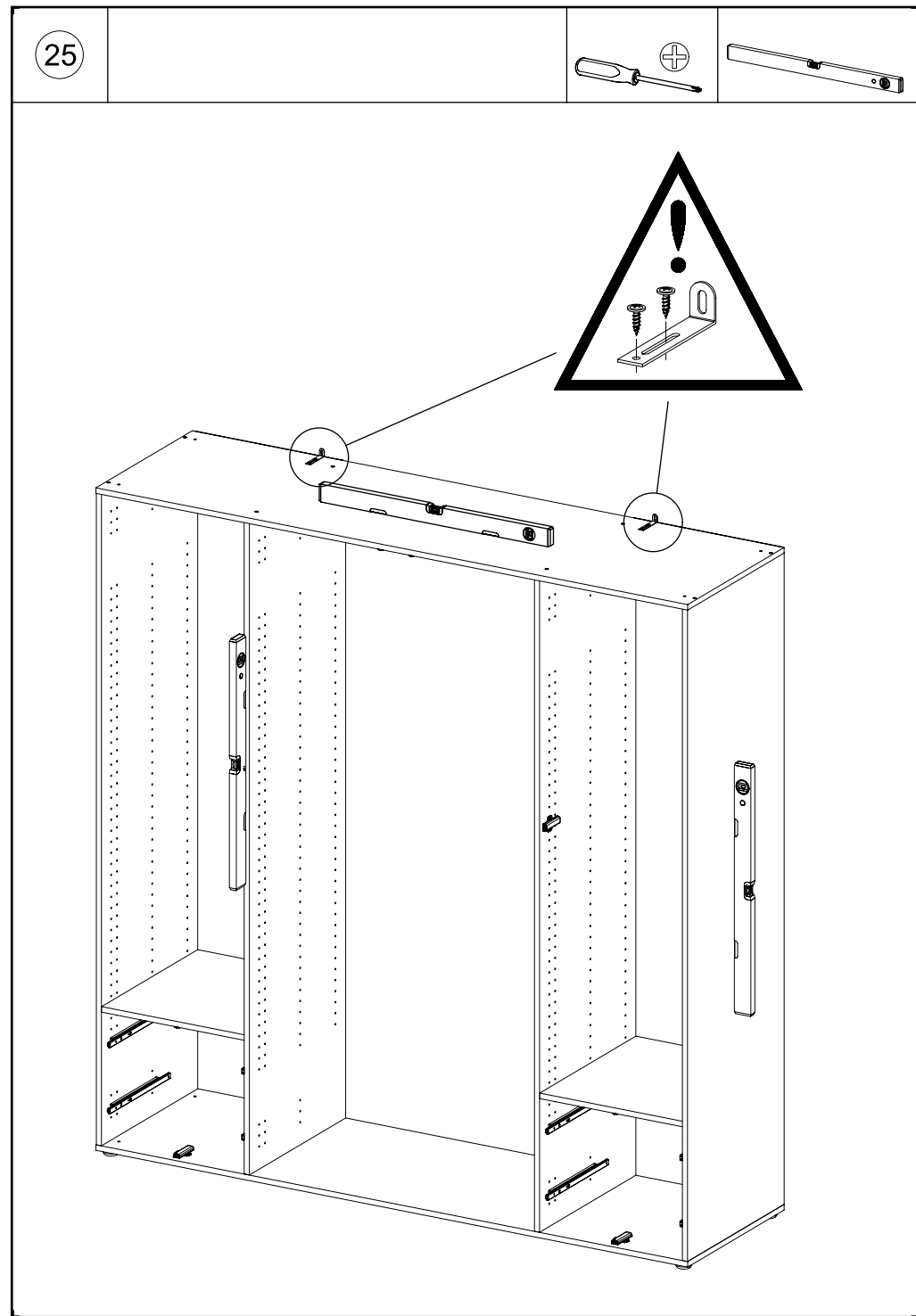
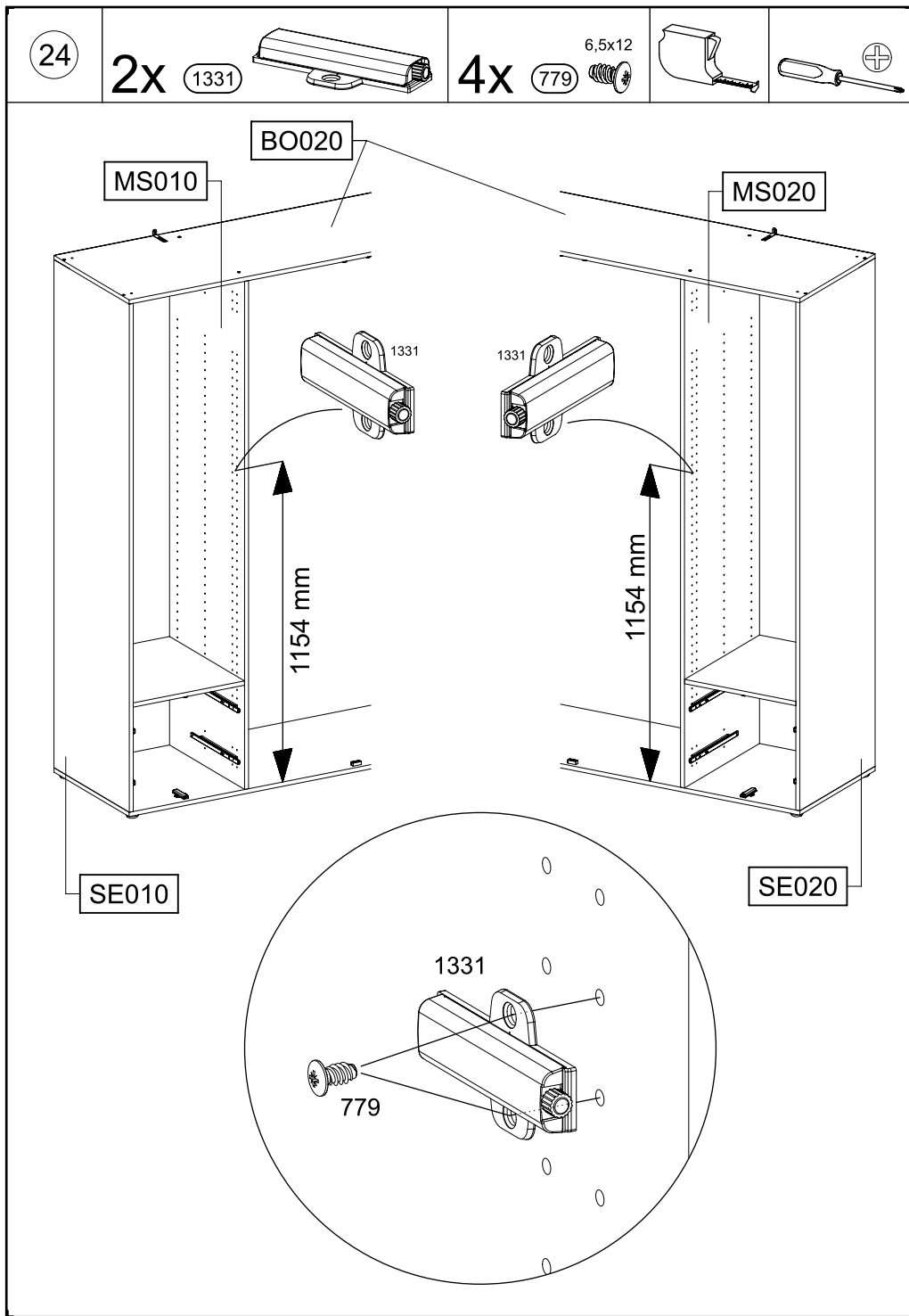


KO010  
KO020









26

4x

405

Ø8

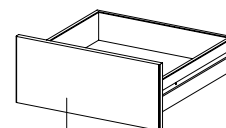
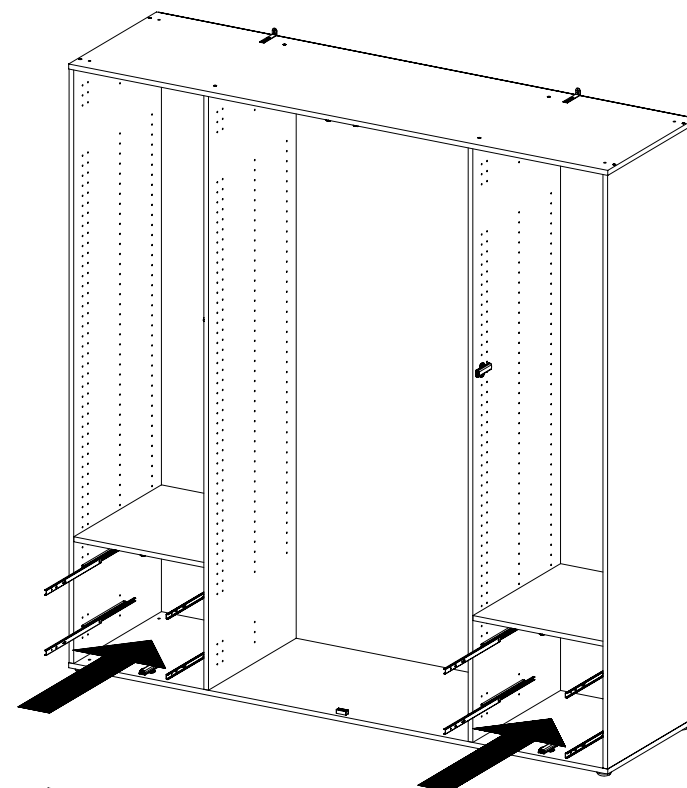
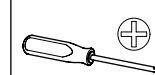


27

8x

568

M4x9



SK010

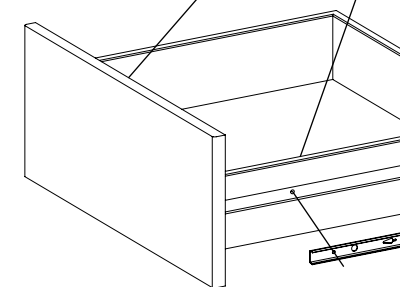
SK020

SK030

SK040

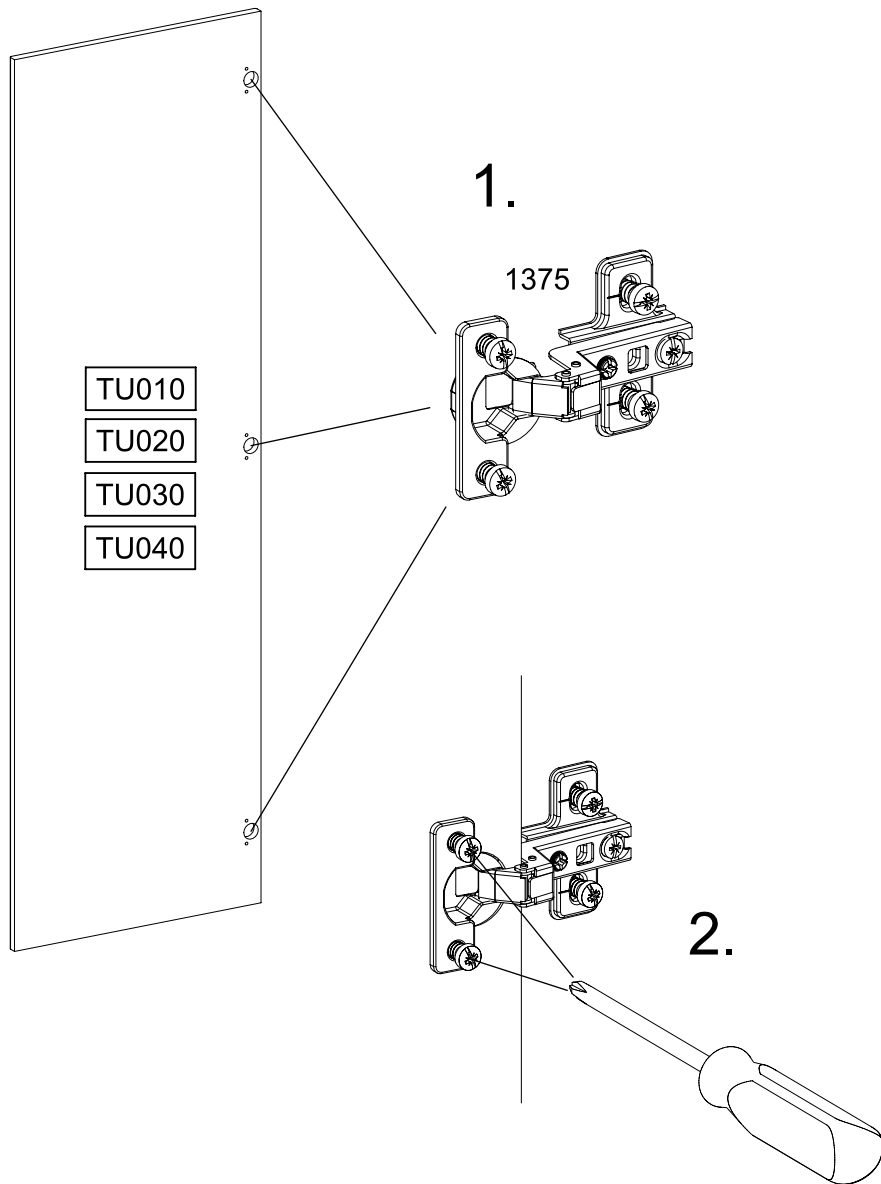
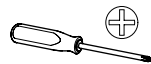
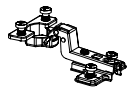
568

568

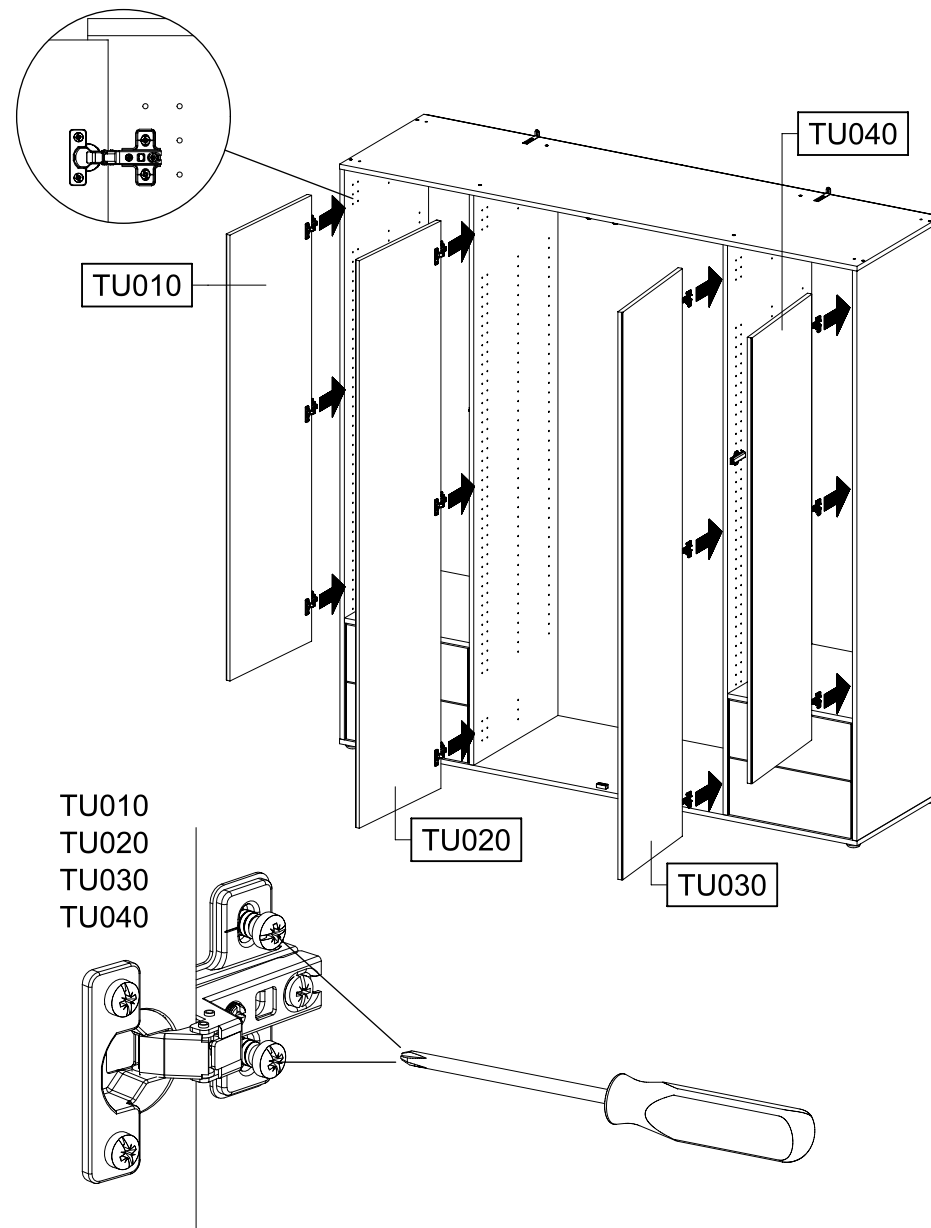
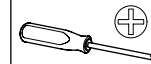


28

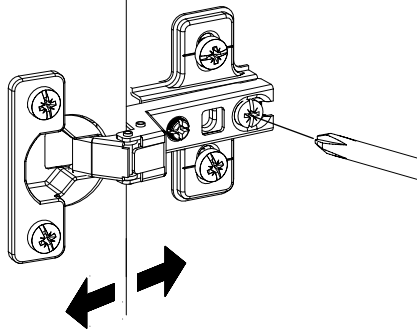
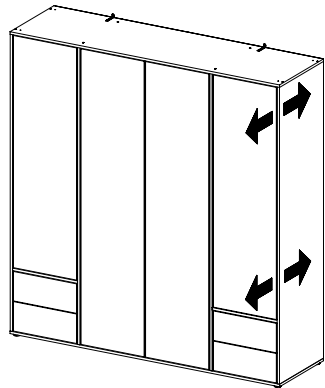
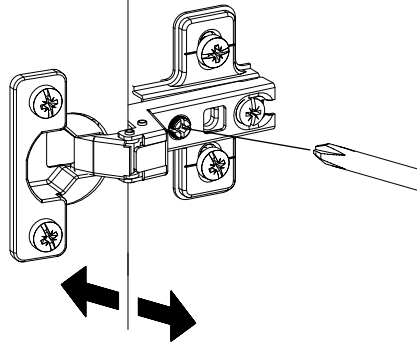
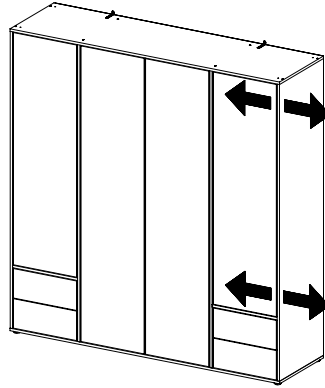
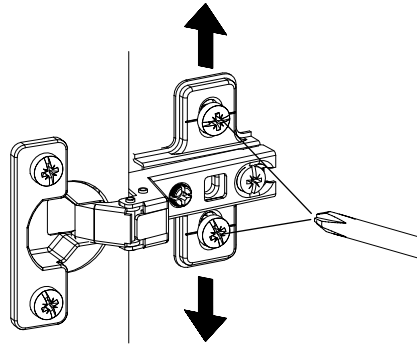
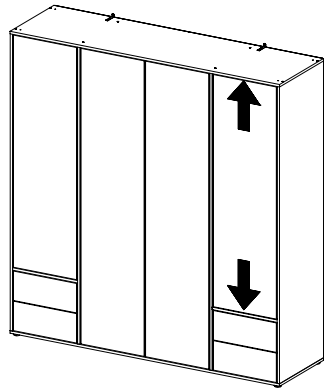
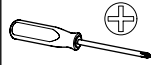
12x 1375



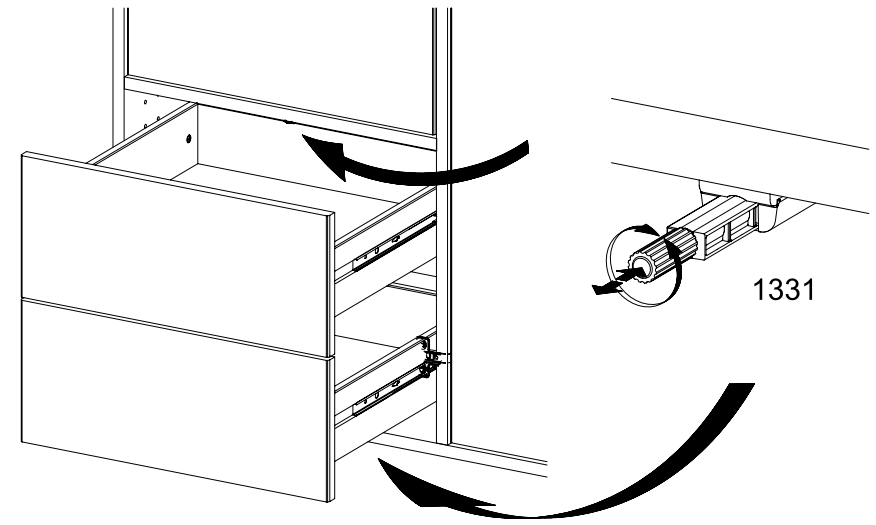
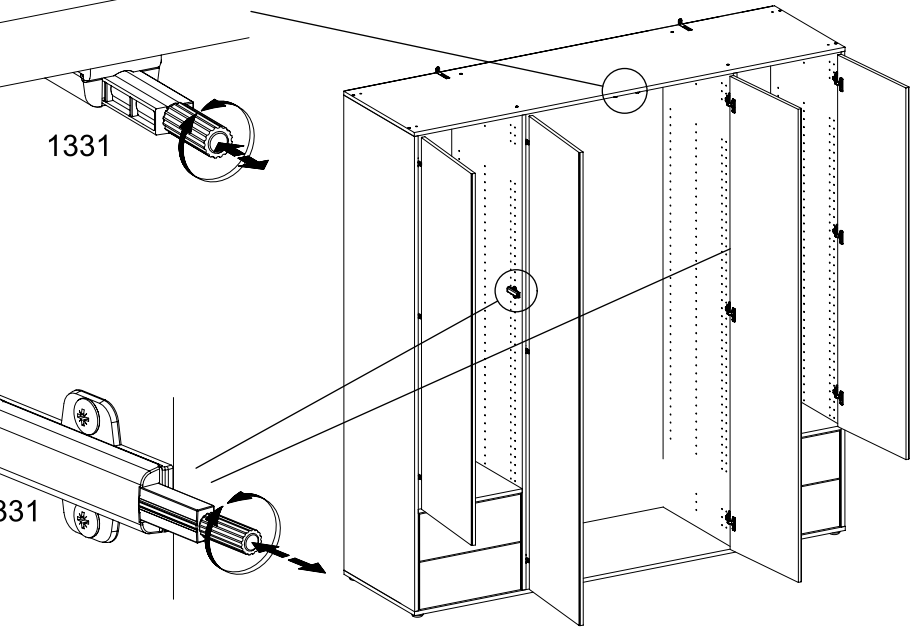
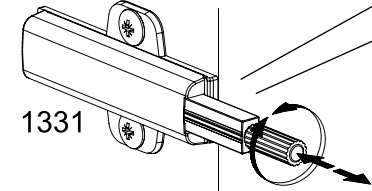
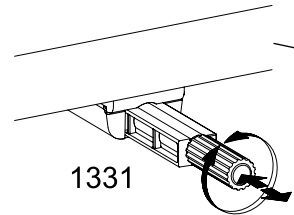
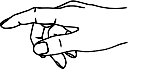
29

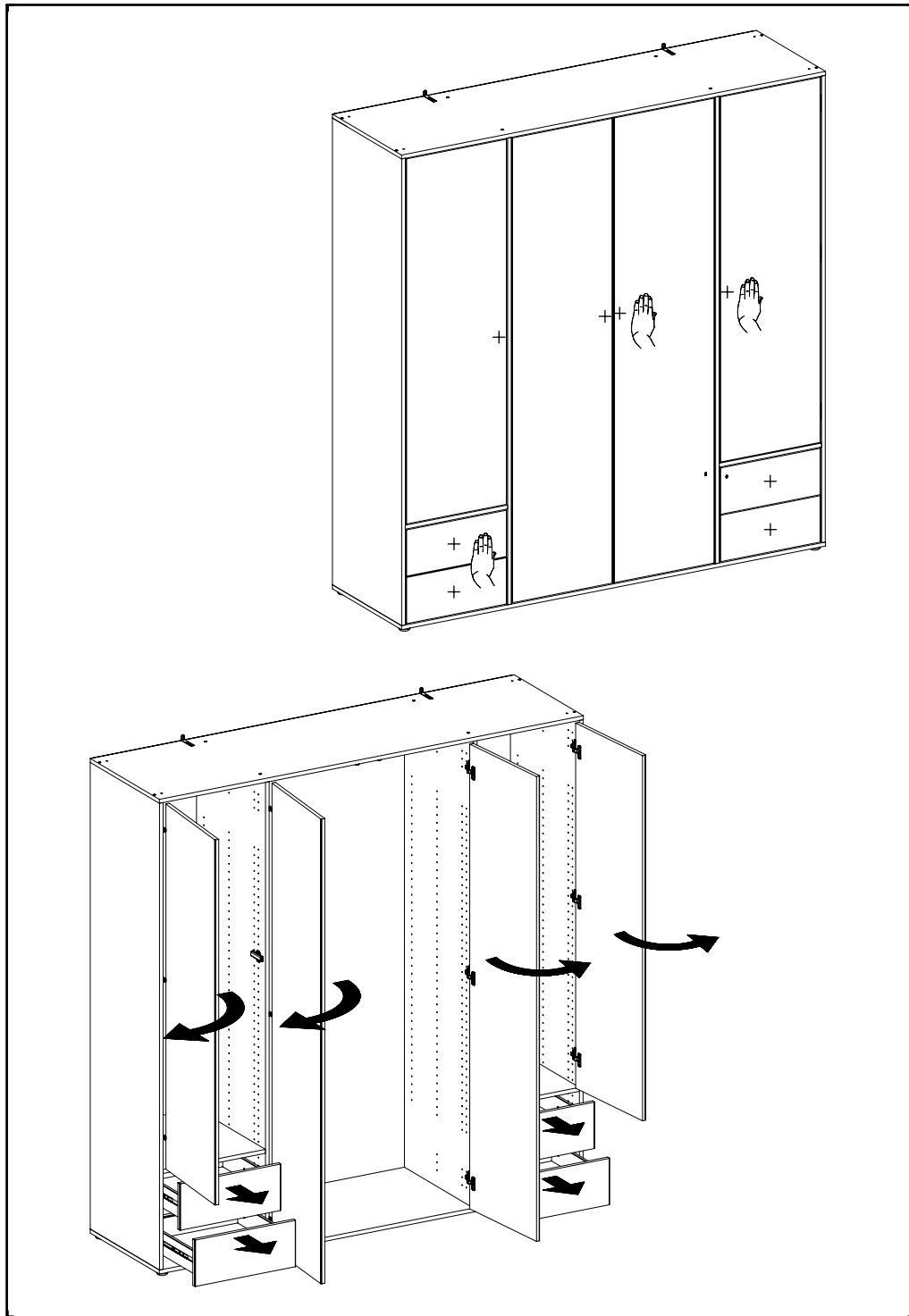


30



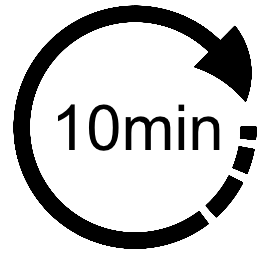
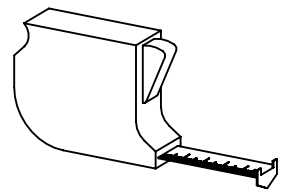
31



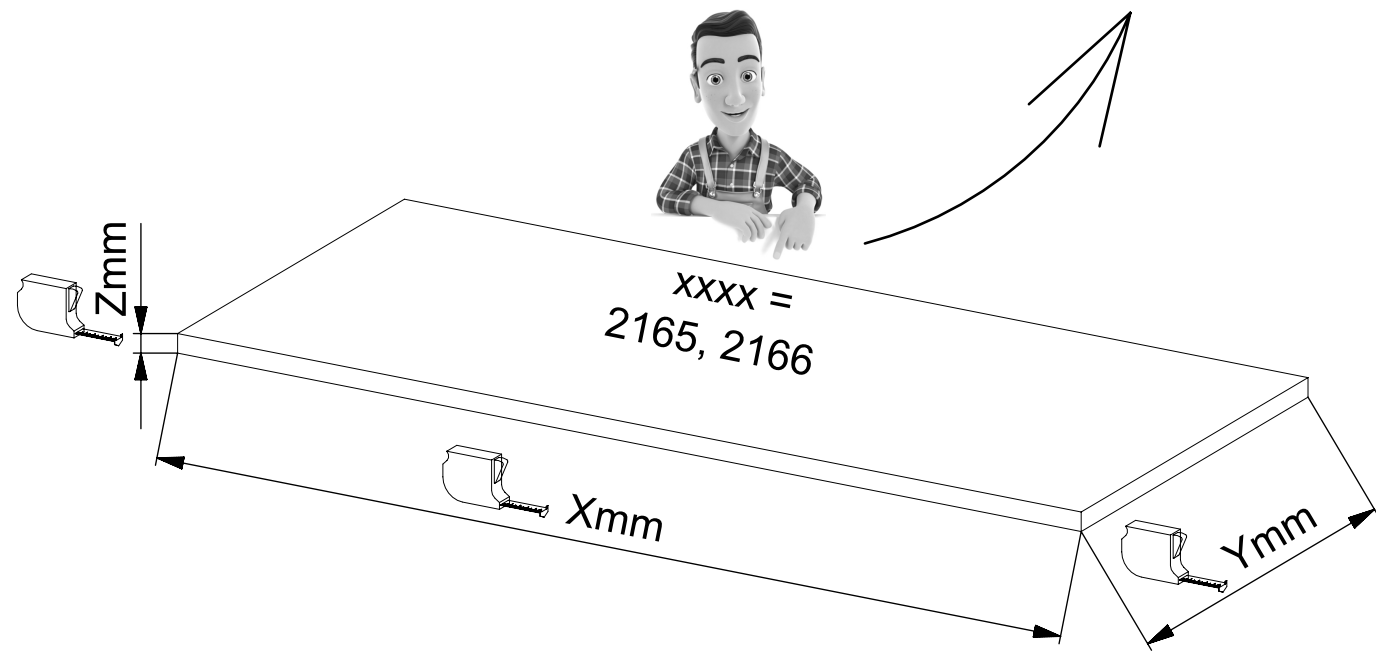


MZ256\_01

rauch

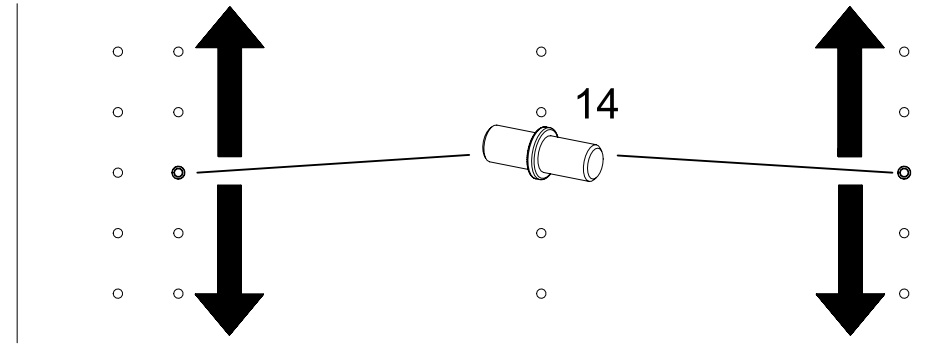
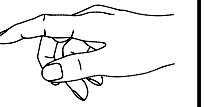


Xmm	Ymm	Zmm			XXXX
450mm	450mm	16mm	max. 10kg		2165
898mm	450mm	16mm	max. 10kg		2166

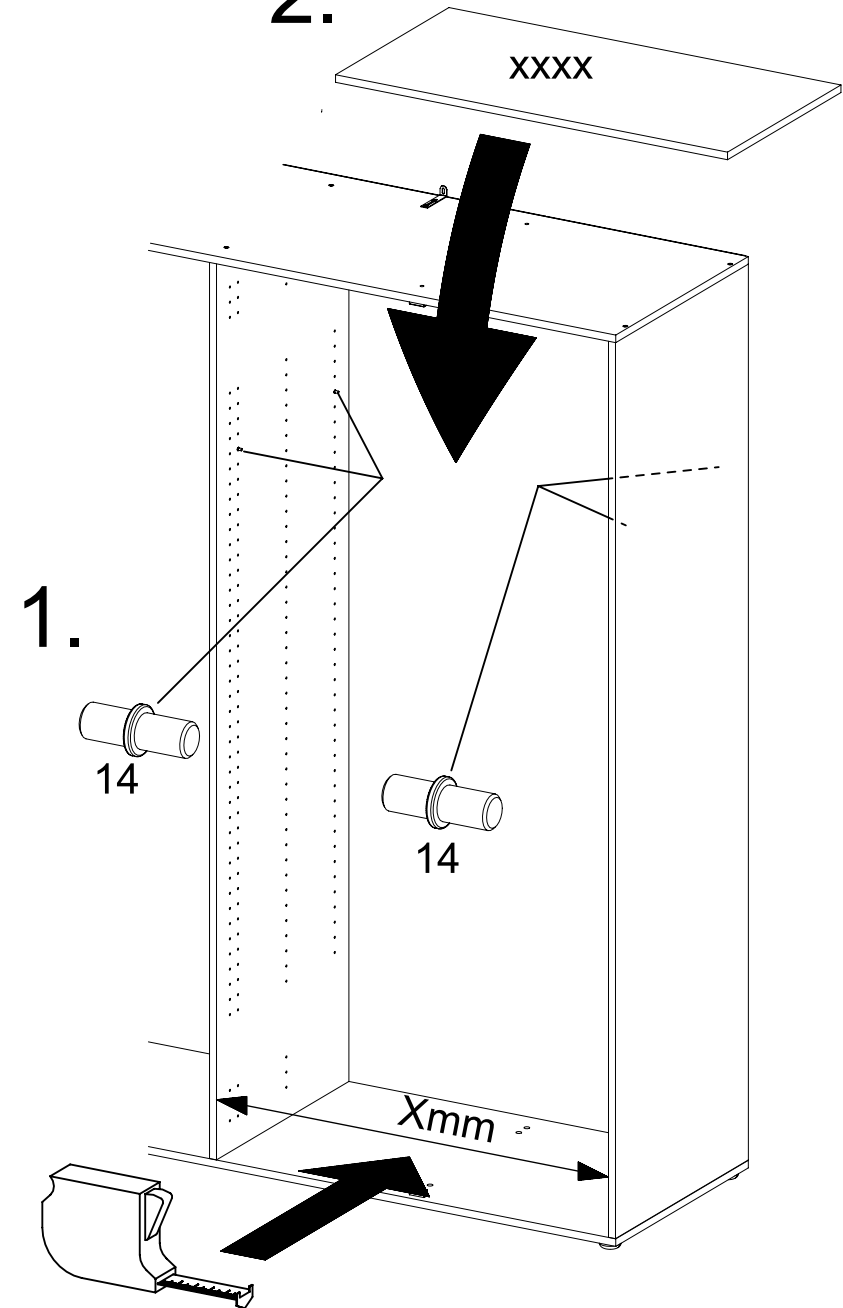


1

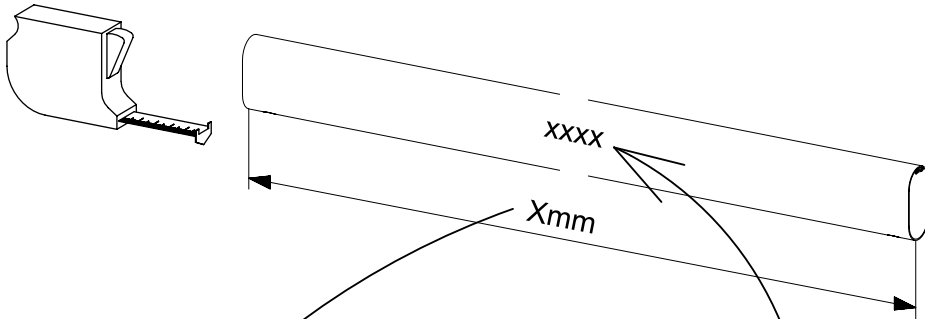
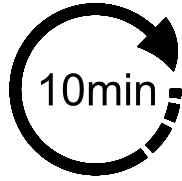
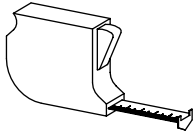
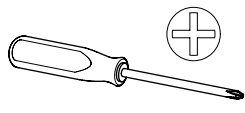
4x 14



2.



# MZ110\_04




Xmm	  	xxxx
393mm	max. 40kg	2000
426mm	max. 40kg	2001
538mm	max. 40kg	2011
563mm	max. 40kg	2002
650mm	max. 40kg	2003
809mm	max. 40kg	2004
873mm	max. 40kg	2006
890mm	max. 40kg	2010
1097mm	max. 40kg	2008

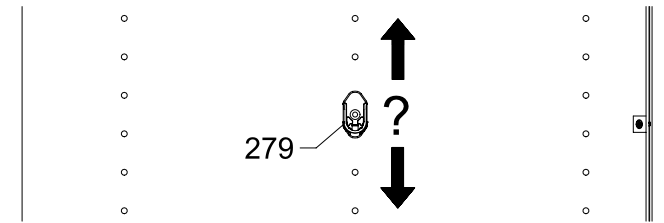
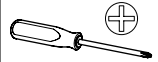
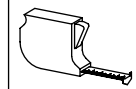


xxxx = 2000, 2001, 2002, 2003, 2004, 2006, 2008, 2010, 2011,

1

2x  3,5x15

2x 



2.

