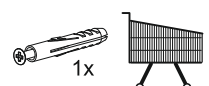
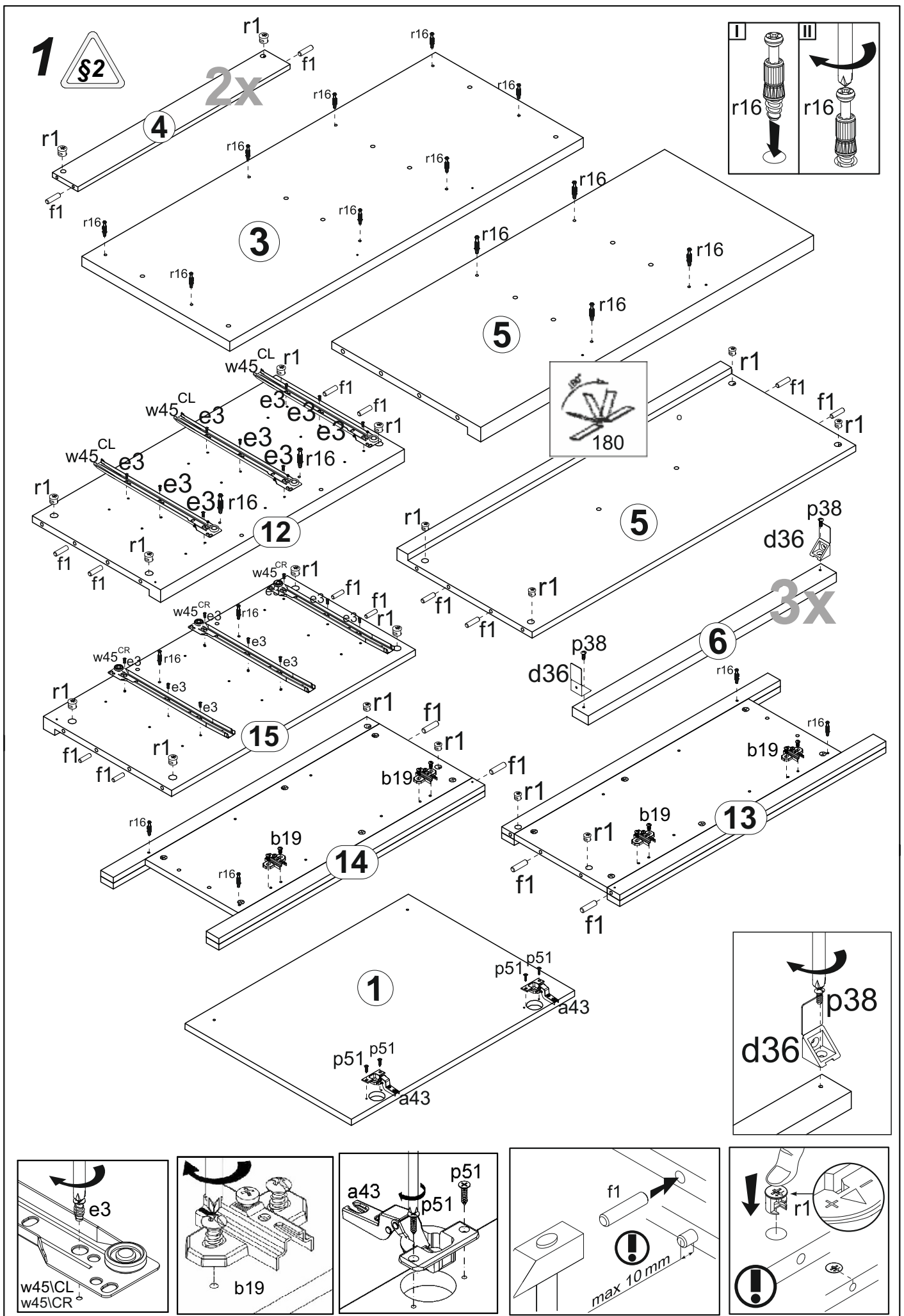
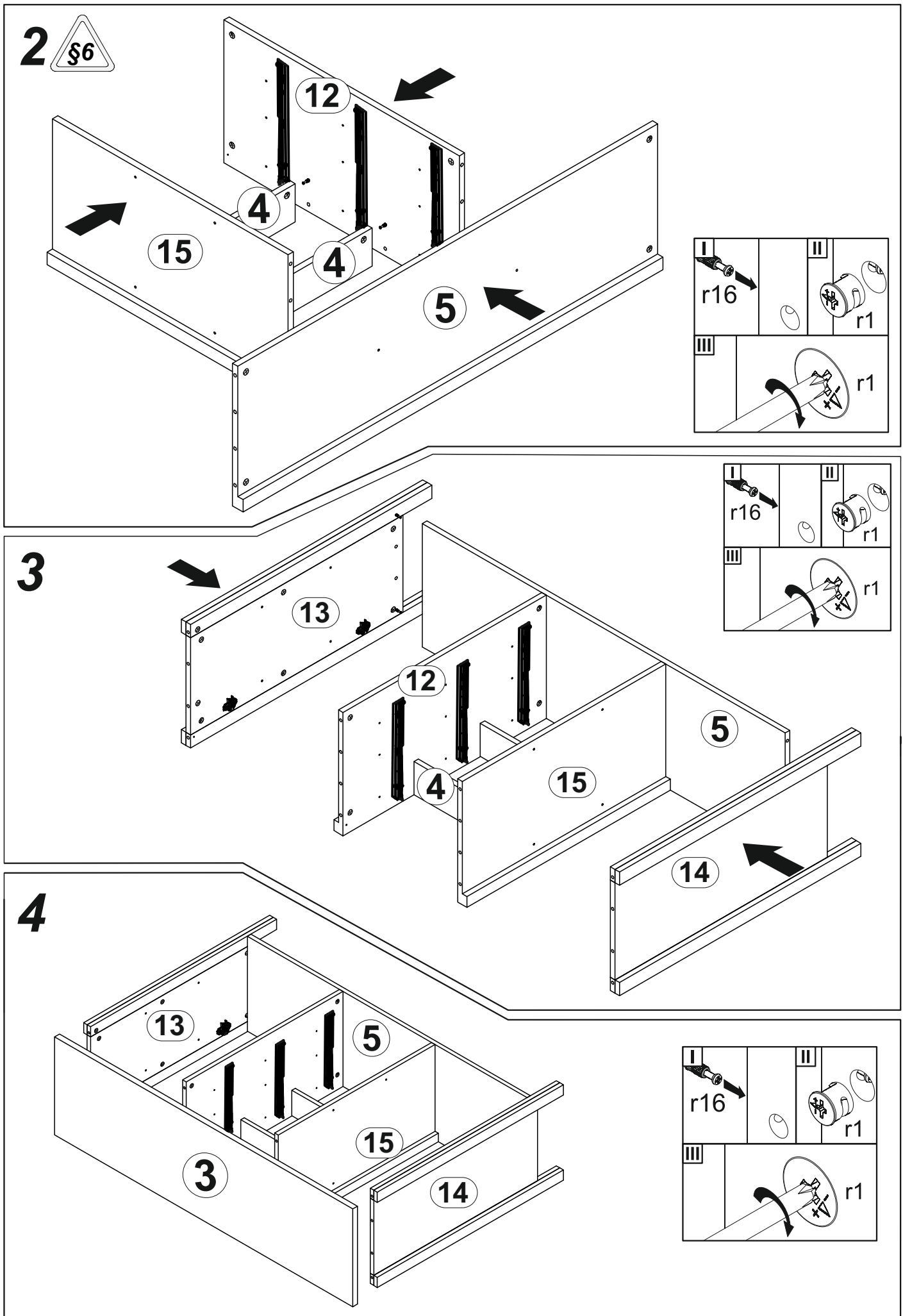


A	B	C	D	A	B	C	D		
1	HM1-019	397	674	3/3	10	HM1-907	349	359	2/3
2	HM1-009	397	210	3/3	11	LH-1269	1269	14	2/3
3	HM1-208	1354	385	2/3	12	HM1-135	712	374	1/3
4	HM1-482	402	100	1/3	13	HM1-136	845	375	1/3
5	HM1-323	1270	374	2/3	14	HM1-138	845	375	1/3
6	HM1-434	402	32	1/3	15	HM1-146	712	374	1/3
7	HM1-511	350	140	2/3	16	HM1-918	1329	372	2/3
8	HM1-512	350	140	2/3	17	HM1-310	416	339	2/3
9	HM1-514	344	140	2/3					

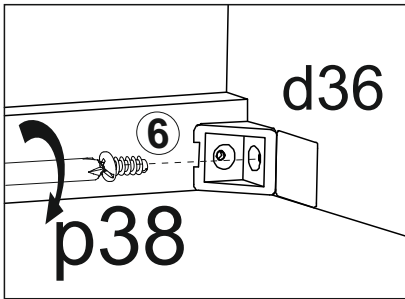
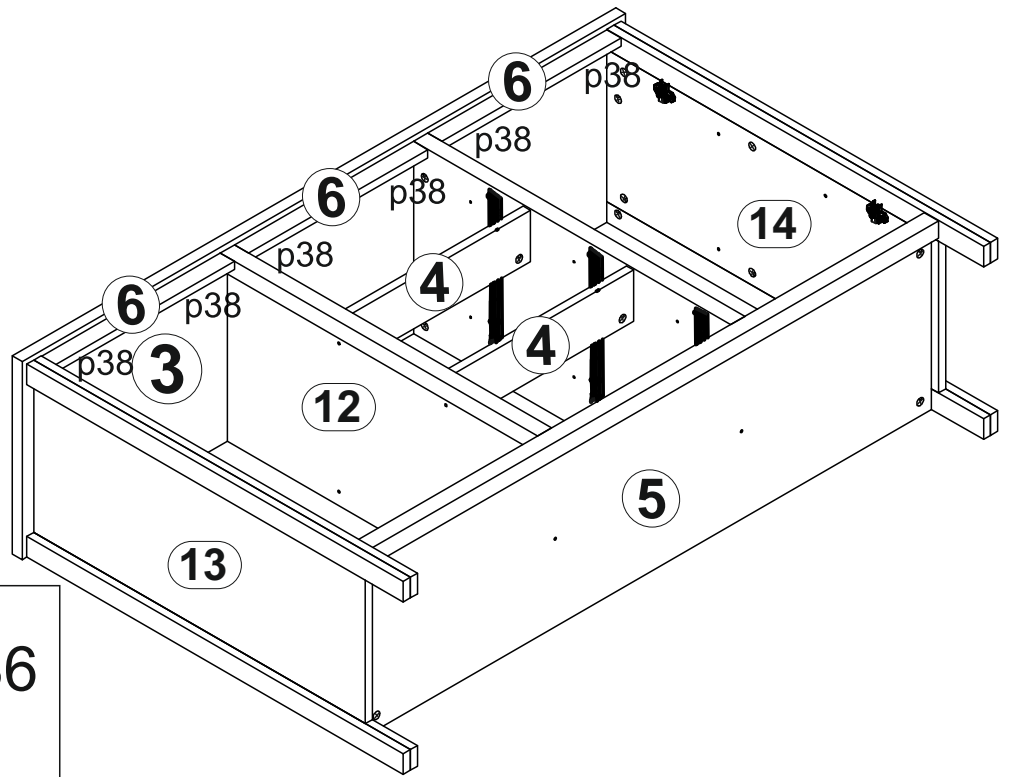
32x φ15x12mm #16 <b>r1</b>	32x 20/9 <b>r16</b>	16x φ5x17 mm <b>d1</b>	24x φ16 <b>s2</b>	2x φ6,3x13 mm <b>e2</b>	12x φ3x12 mm <b>p54</b>	2x 42,5x42,5x4 mm <b>k38l3</b>	2x 30x30x108 mm <b>k38l7</b>
18x φ6x13 mm <b>e3</b>	20x φ8x30 mm <b>f1</b>	4x <b>k1</b>	6x <b>d36</b>	55x <b>l1</b>	21x φ3,5x16 mm <b>p38</b>	1x <b>n26l1</b>	2x ø5 <b>s4</b>
8x φ3,5x15 mm <b>p51</b>	4x <b>a43</b>	4x <b>b19</b>	3x 350 mm <b>w45<sup>CR</sup></b>	3x 350 mm <b>w45<sup>CL</sup></b>	3x 350 mm <b>w45<sup>DR</sup></b>	3x 350 mm <b>w45<sup>DL</sup></b>	12x φ5x50 mm <b>e32</b>
5x <b>c68</b>	5x M4x25 mm <b>j8</b>	2x φ6x15 mm <b>d4</b>					







# 5



# 6

