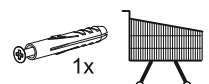
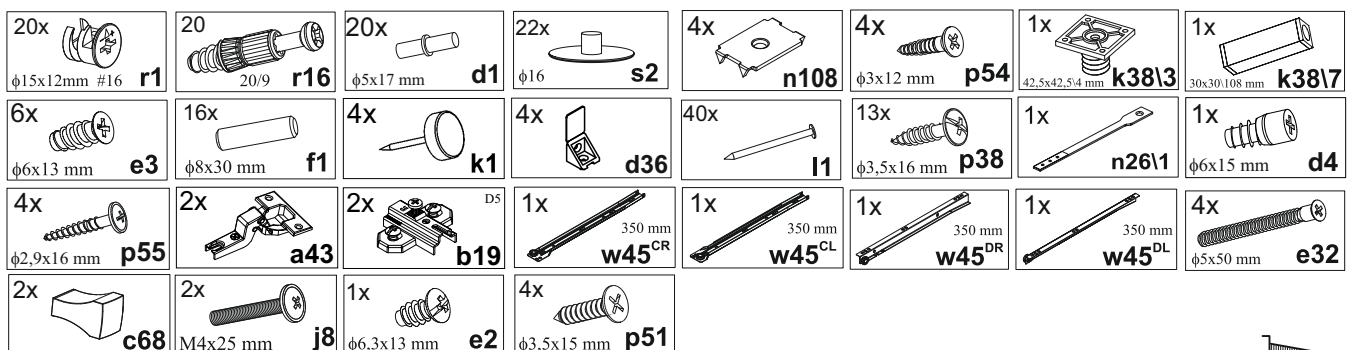
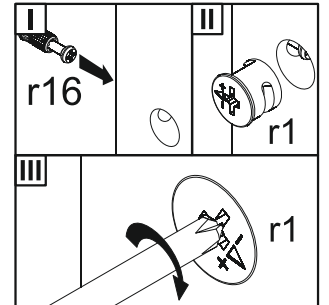
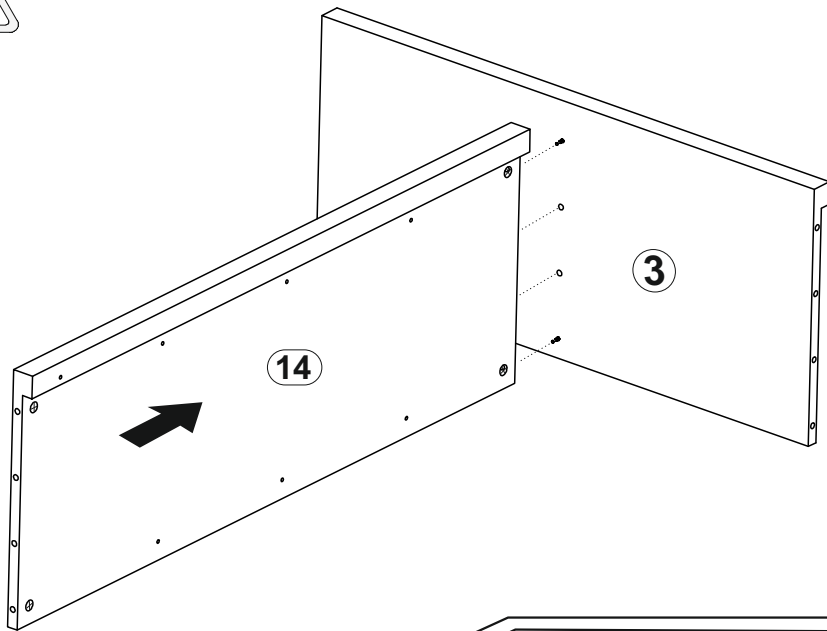
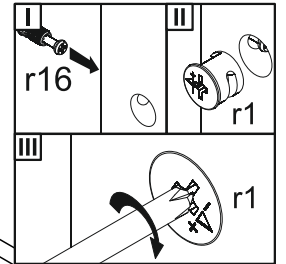
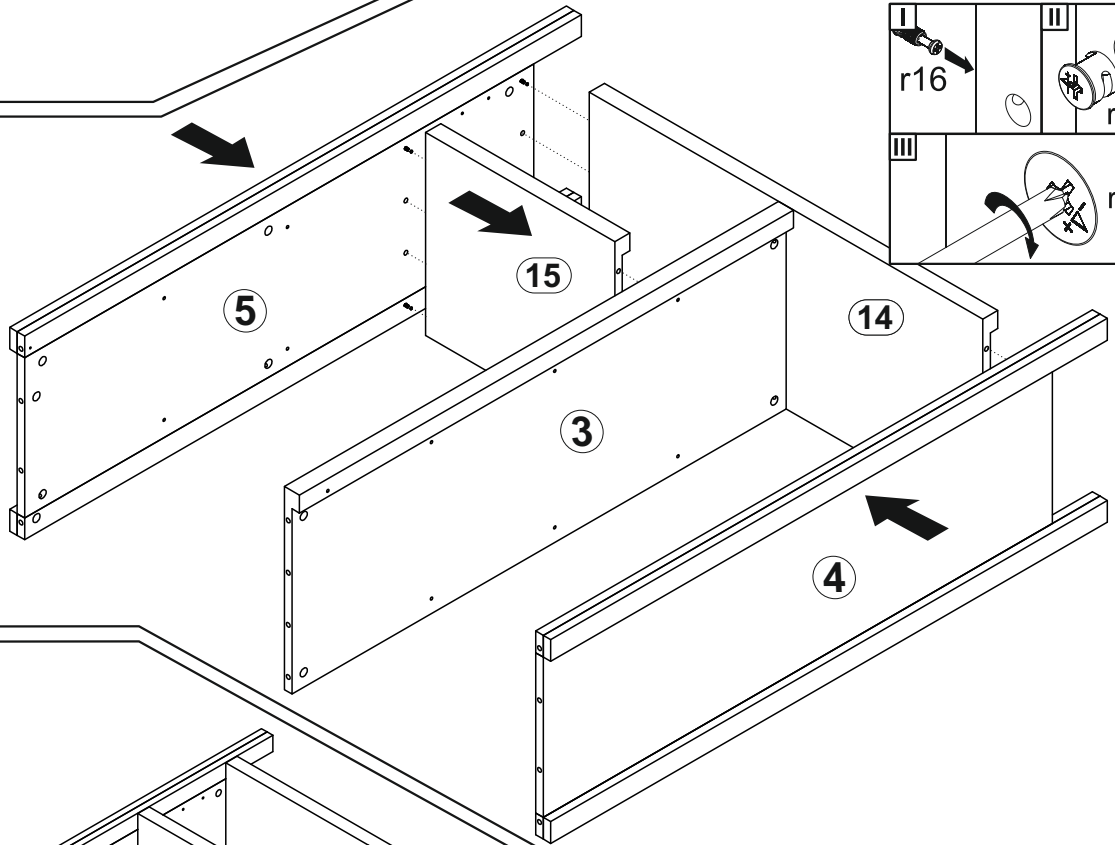
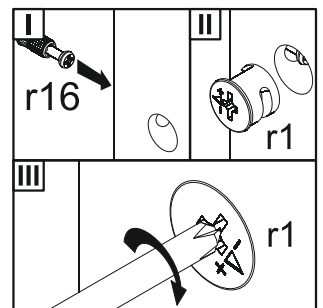
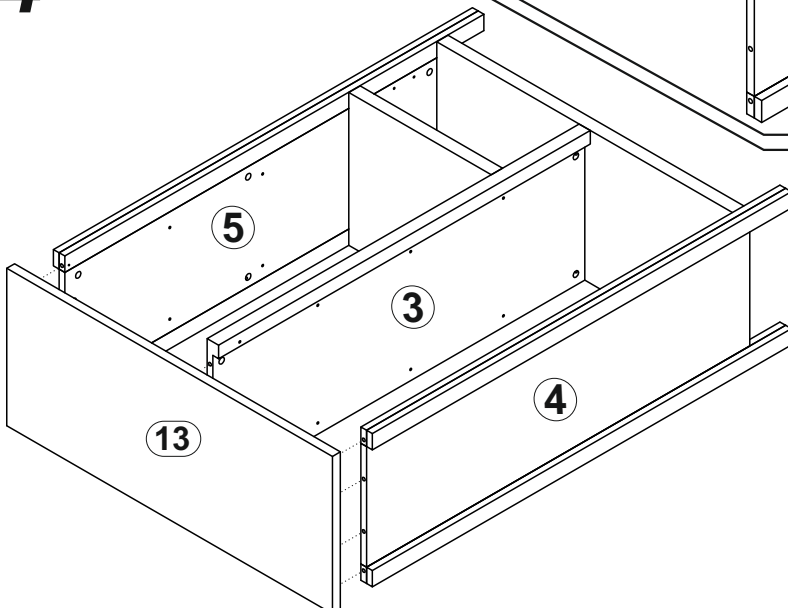


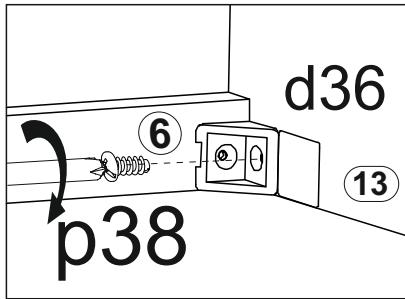
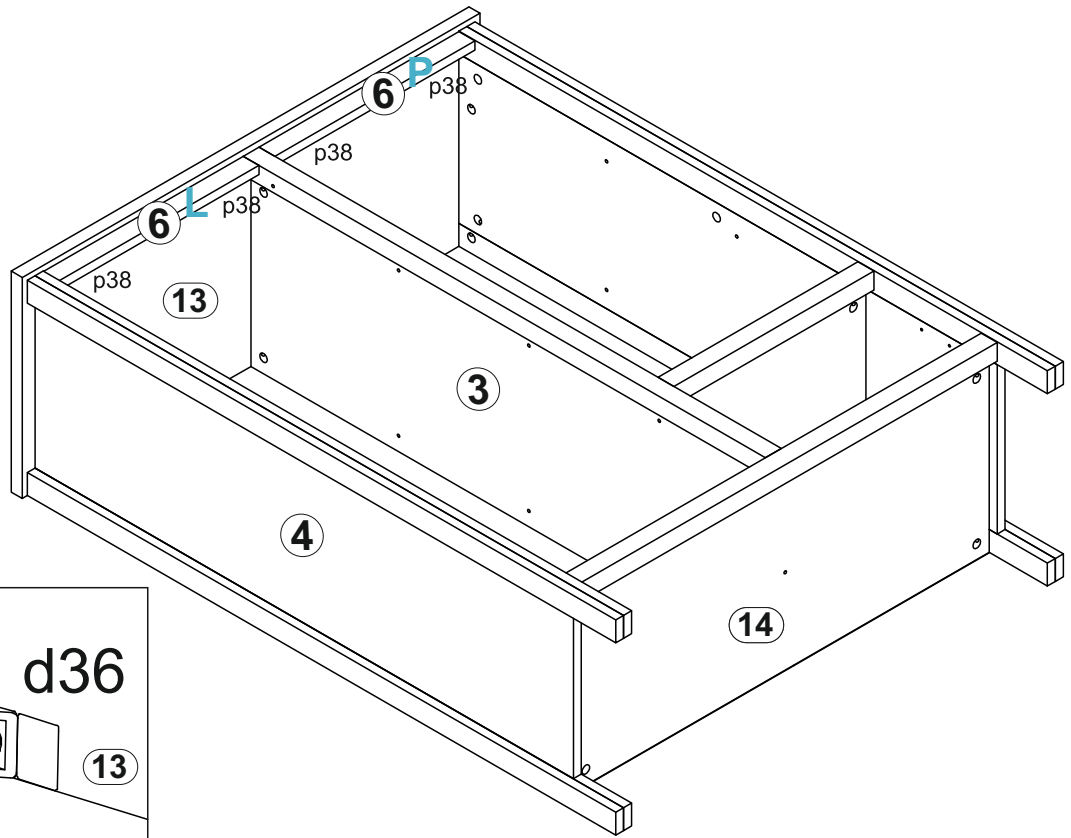
A	B	C	D
1	HM1-007	397	1012 3/3
2	HM1-009	397	210 3/3
3	HM1-109	1050	374 1/3
4	HM1-112	1183	375 1/3
5	HM1-115	1183	375 1/3
6	HM1-434	402	32 1/3
7	HM1-511	350	140 1/3
8	HM1-512	350	140 1/3
9	HM1-514	344	140 1/3

A	B	C	D
10	HM1-907	349	359 1/3
11	HM1-908	1083	438 1/3
12	HM1-909	1083	457 1/3
13	HM1-203	920	385 2/3
14	HM1-307	836	374 2/3
15	HM1-308	402	374 2/3
16	HM1-309	400	339 2/3
17	HM1-310	416	339 2/3



2**3****4**

5



6

