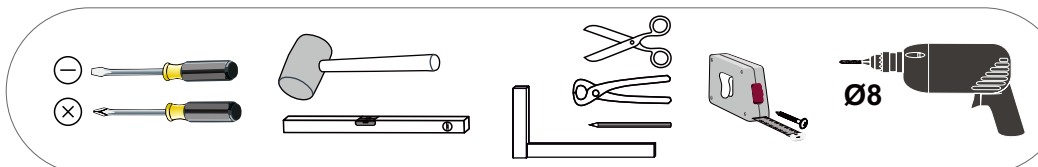
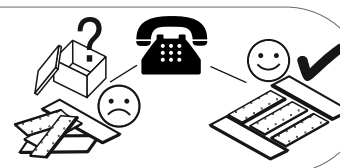
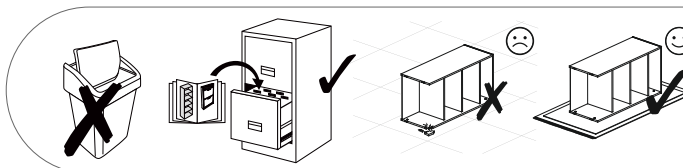
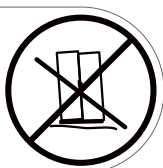
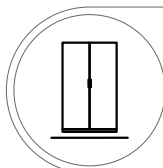
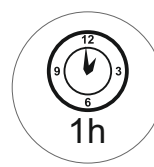
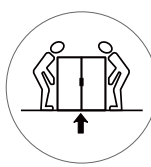
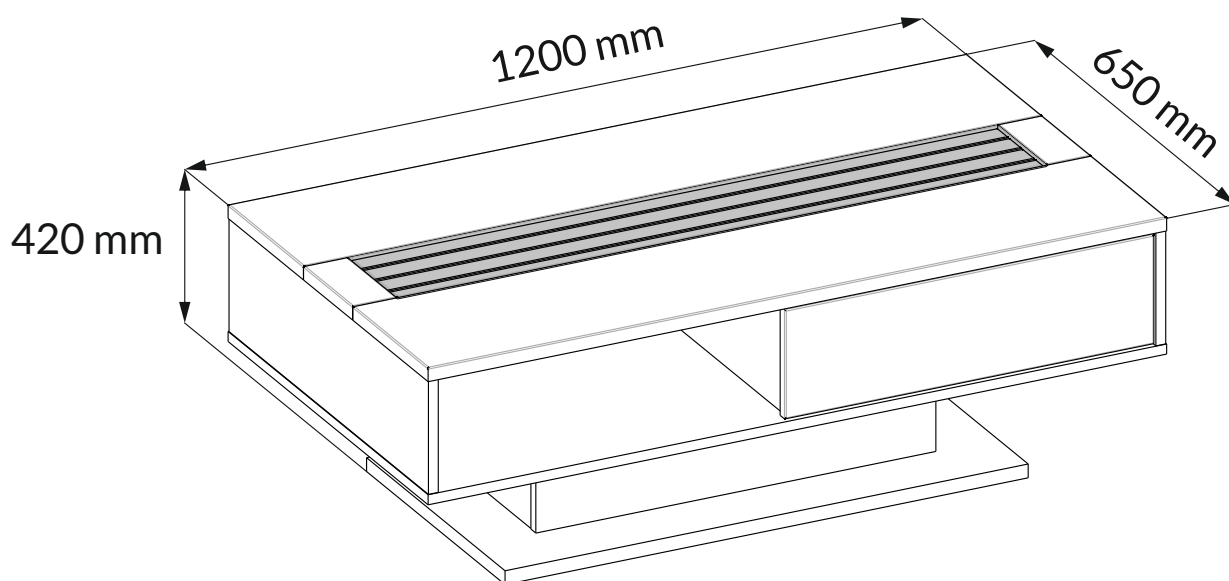
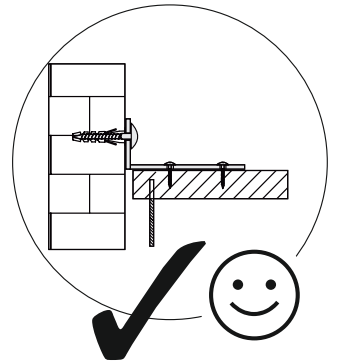
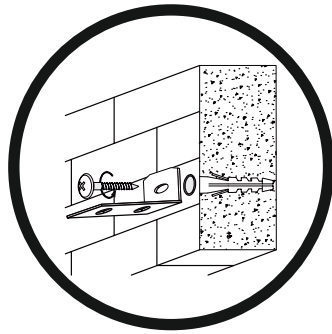
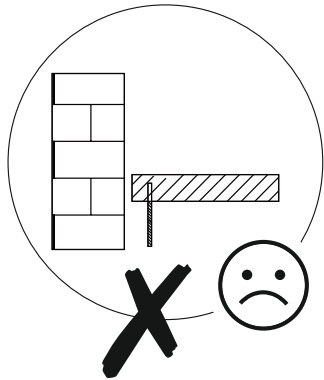
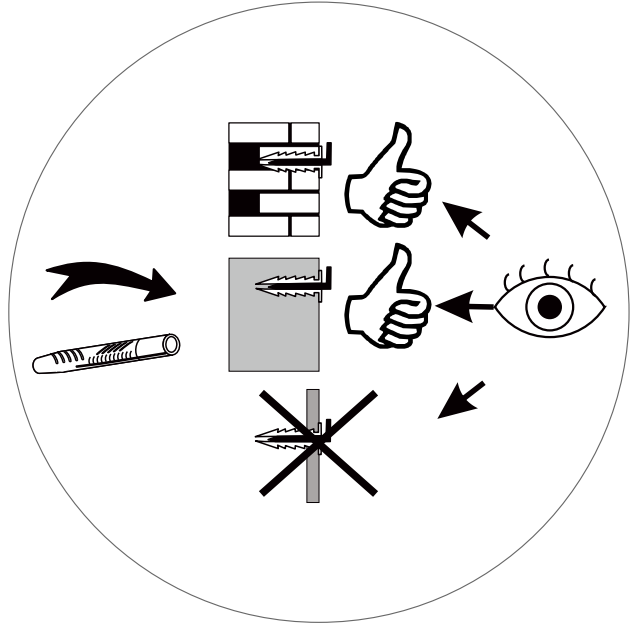
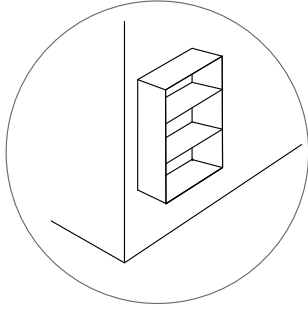
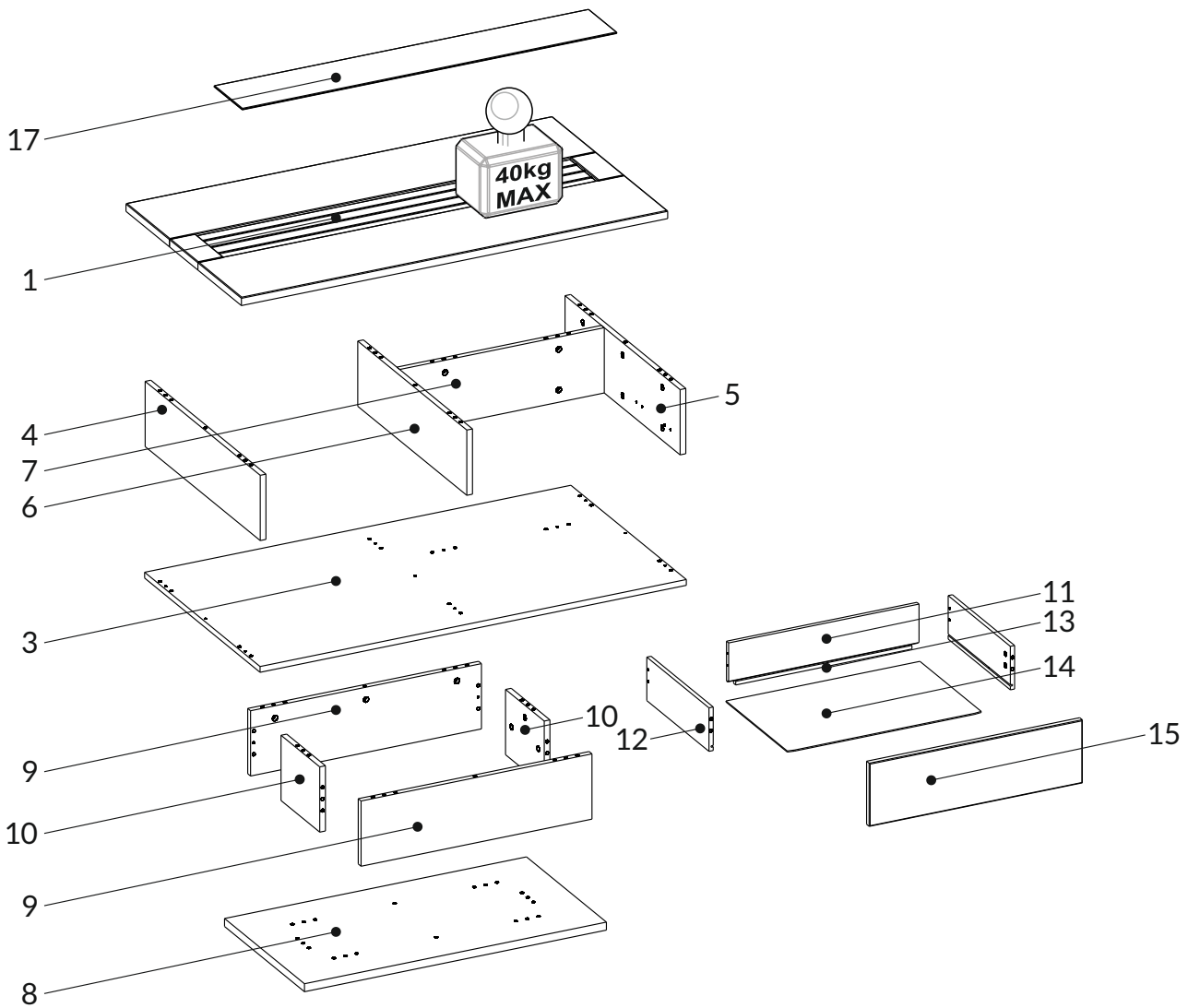


MONTÁŽNÍ/MONTÁŽNY NÁVOD FRESNO

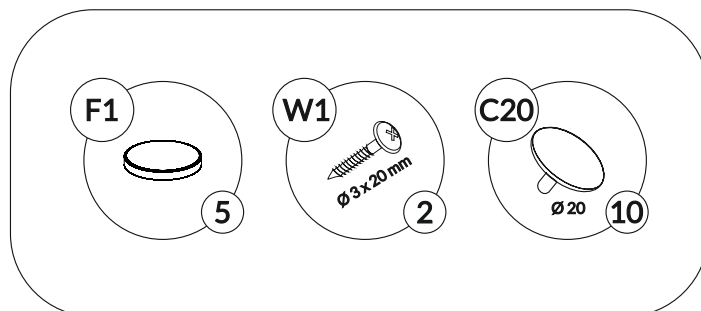




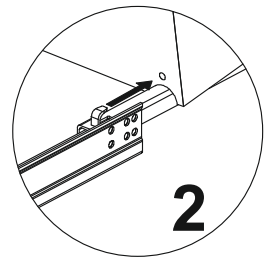
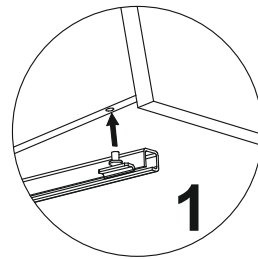
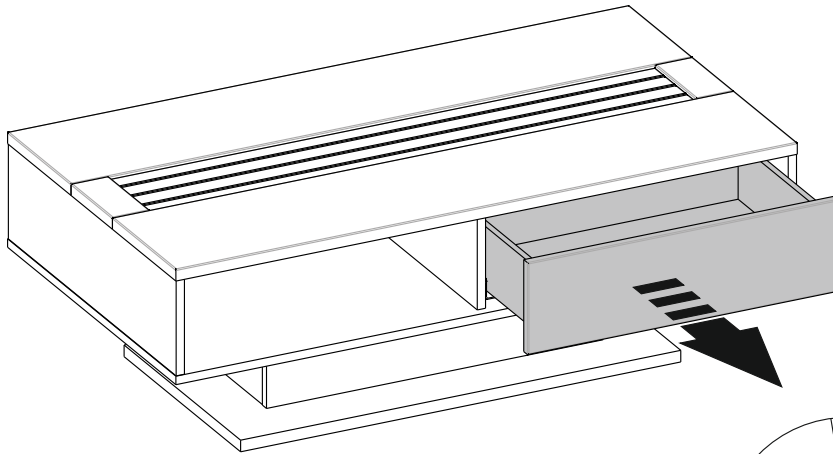


| | | | | |
|----|------|-----|----|---|
| 1 | 1200 | 650 | 22 | 1 |
| 3 | 1200 | 650 | 16 | 1 |
| 4 | 180 | 648 | 16 | 1 |
| 5 | 180 | 648 | 16 | 1 |
| 6 | 180 | 614 | 16 | 1 |
| 7 | 180 | 576 | 16 | 1 |
| 8 | 850 | 450 | 22 | 1 |
| 9 | 650 | 180 | 16 | 2 |
| 10 | 218 | 180 | 16 | 2 |

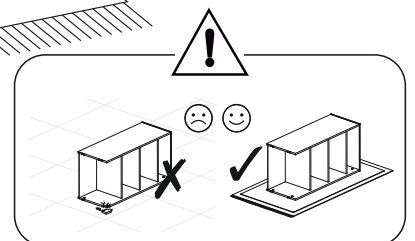
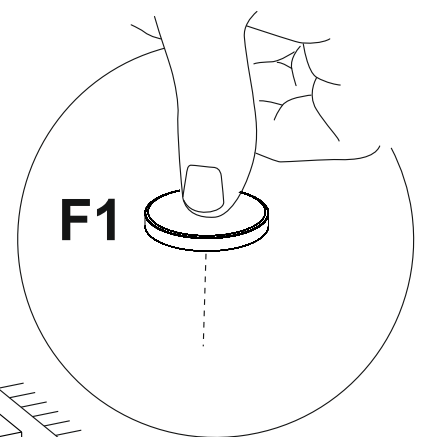
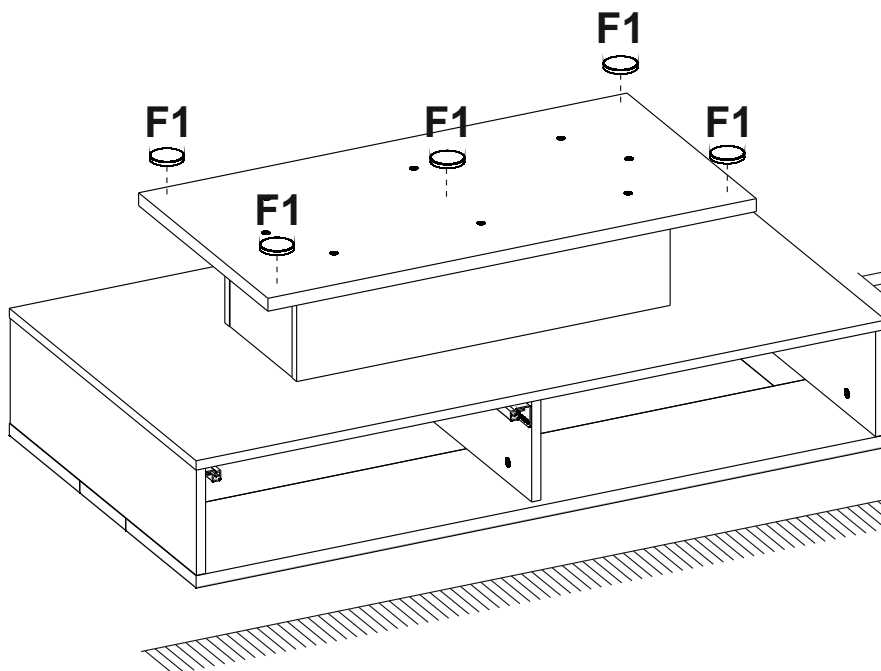
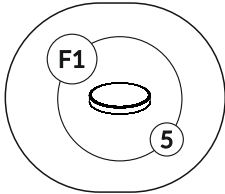
| | | | | |
|----|------|-----|----|---|
| 11 | 536 | 120 | 12 | 1 |
| 12 | 350 | 120 | 12 | 1 |
| 13 | 350 | 120 | 12 | 1 |
| 14 | 546 | 348 | 3 | 1 |
| 15 | 600 | 174 | 16 | 1 |
| 17 | 1055 | 159 | 4 | 1 |



1



2



3

