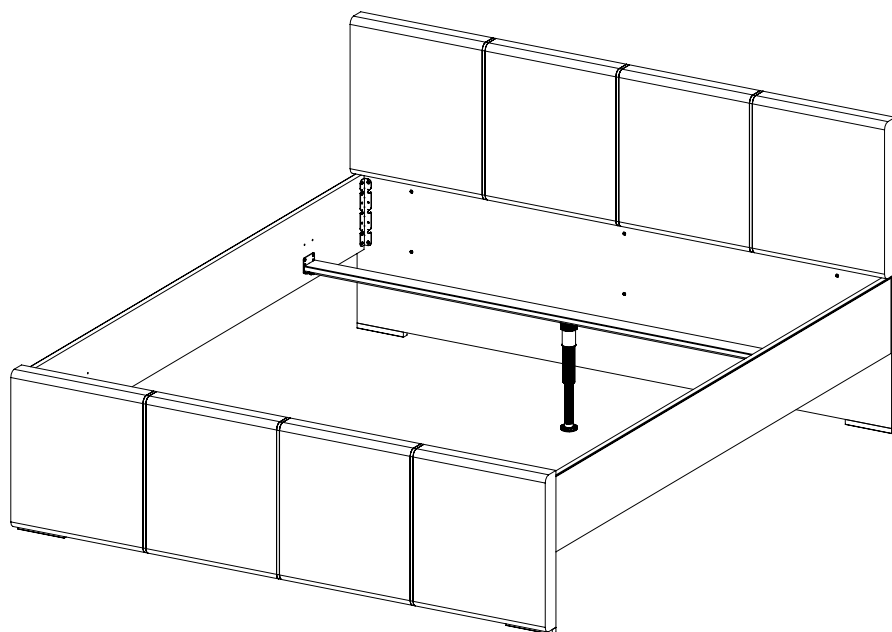
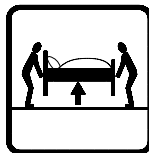
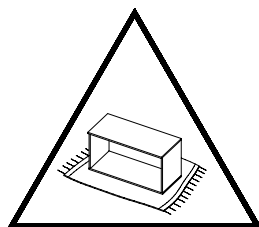
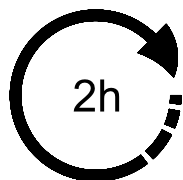
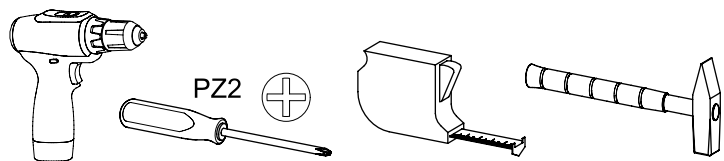
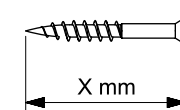
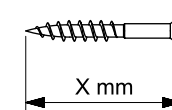
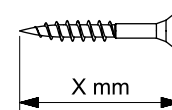
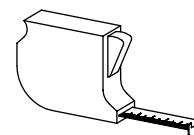


M3052_01

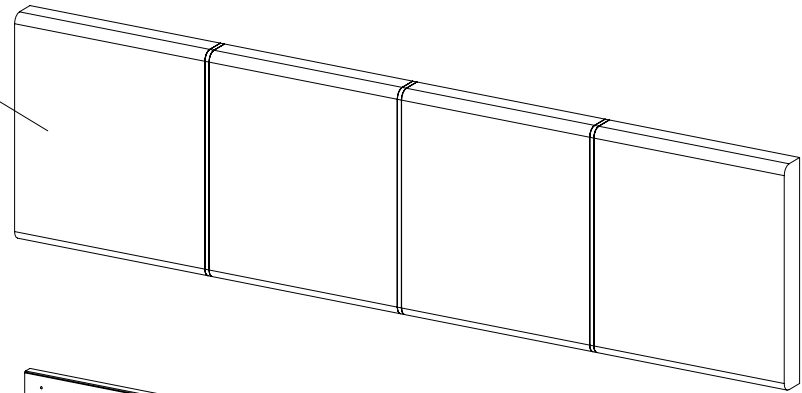
rauch



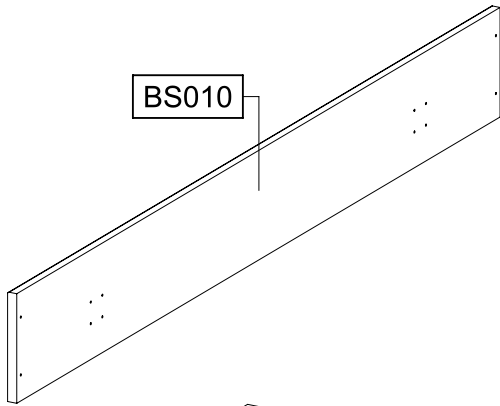
14x 6,3x18 25	3x 114	2x 1120
28x 4,5x16 202	14x 4,5x35 214	6x 4x20 427
10x M4 580	4x M4x16 915	6x M4x28 582
4x 456	212x25x25	4x 698
2x 1118		2x 1119
3x 1121	581x30/15x1.5	8x 6,3x14 200



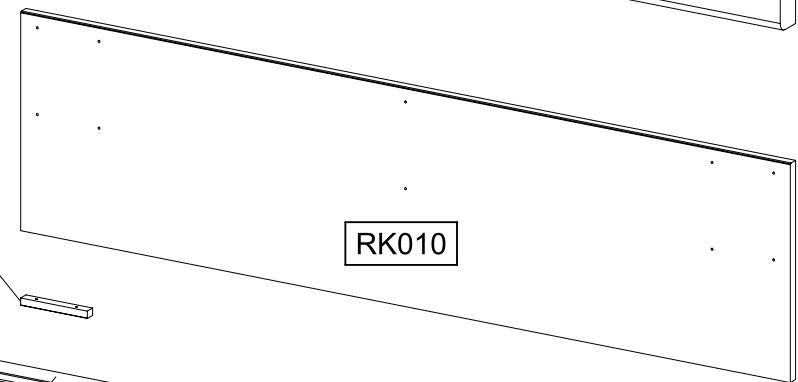
PS010



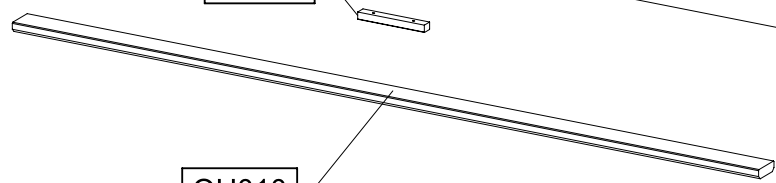
BS010



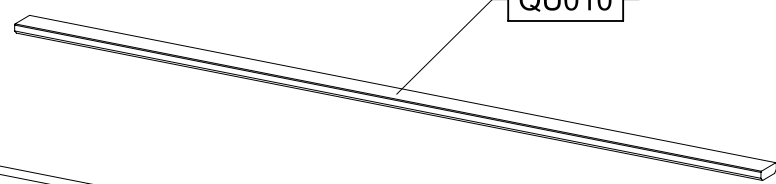
RK010



FU010



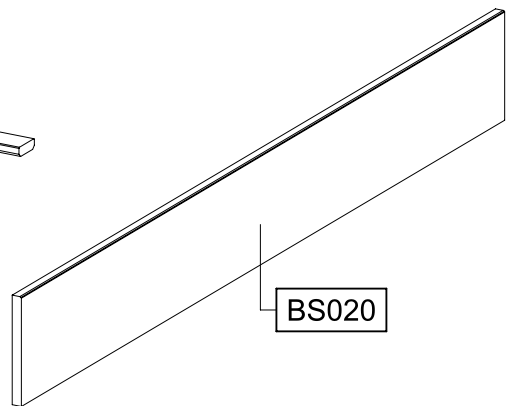
QU010



FU010



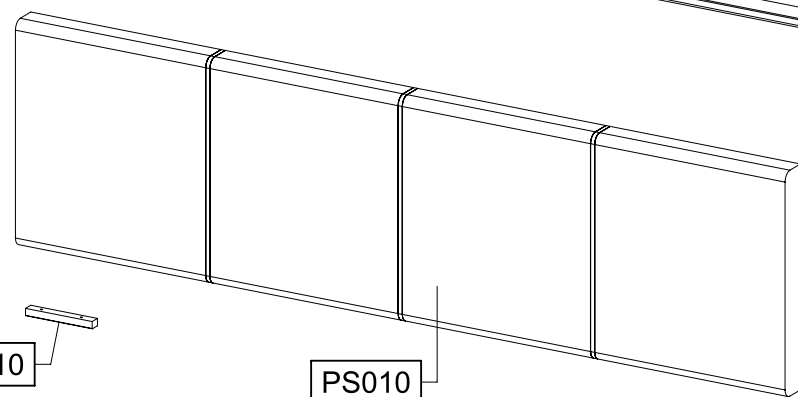
BS020



FU010

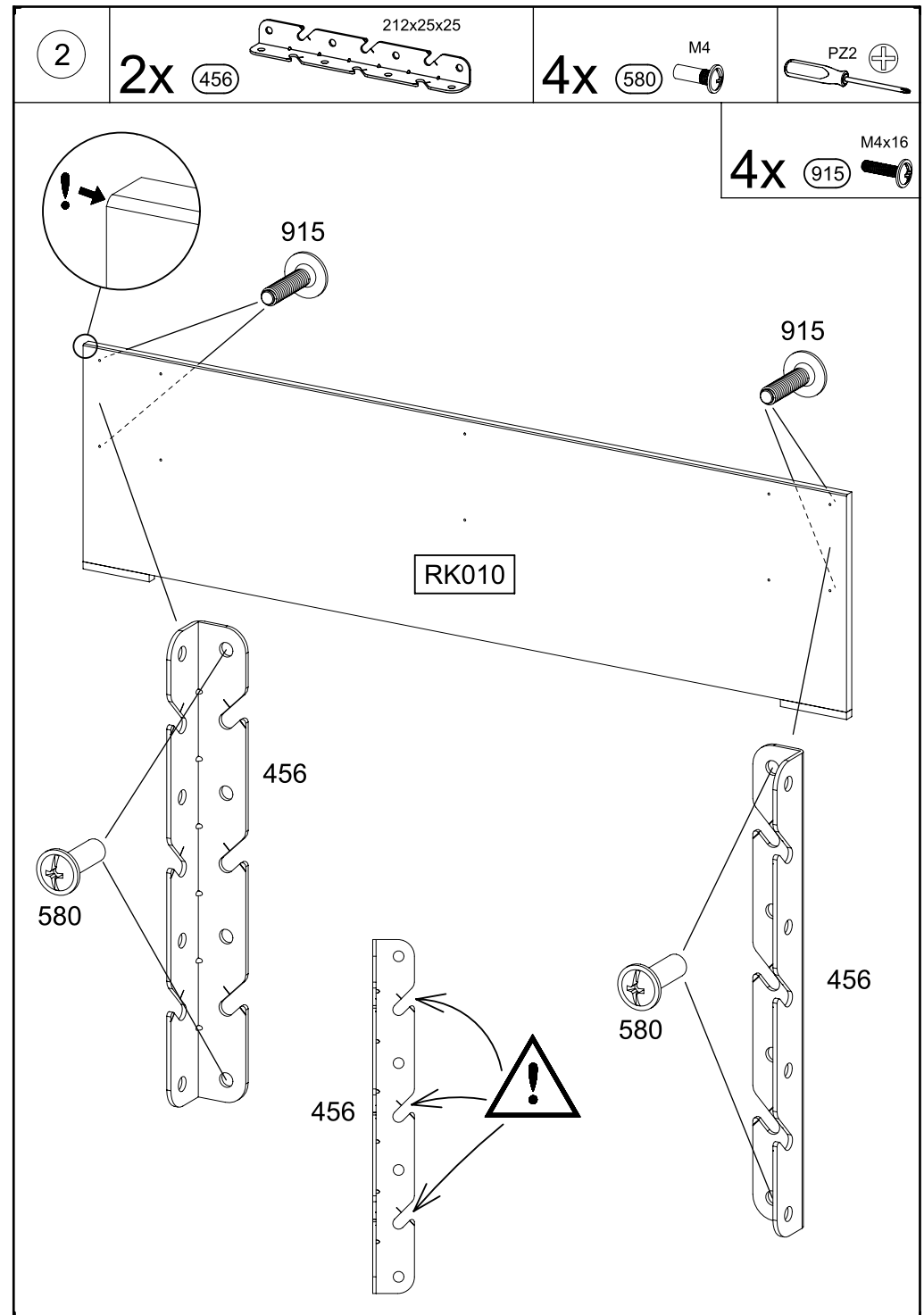
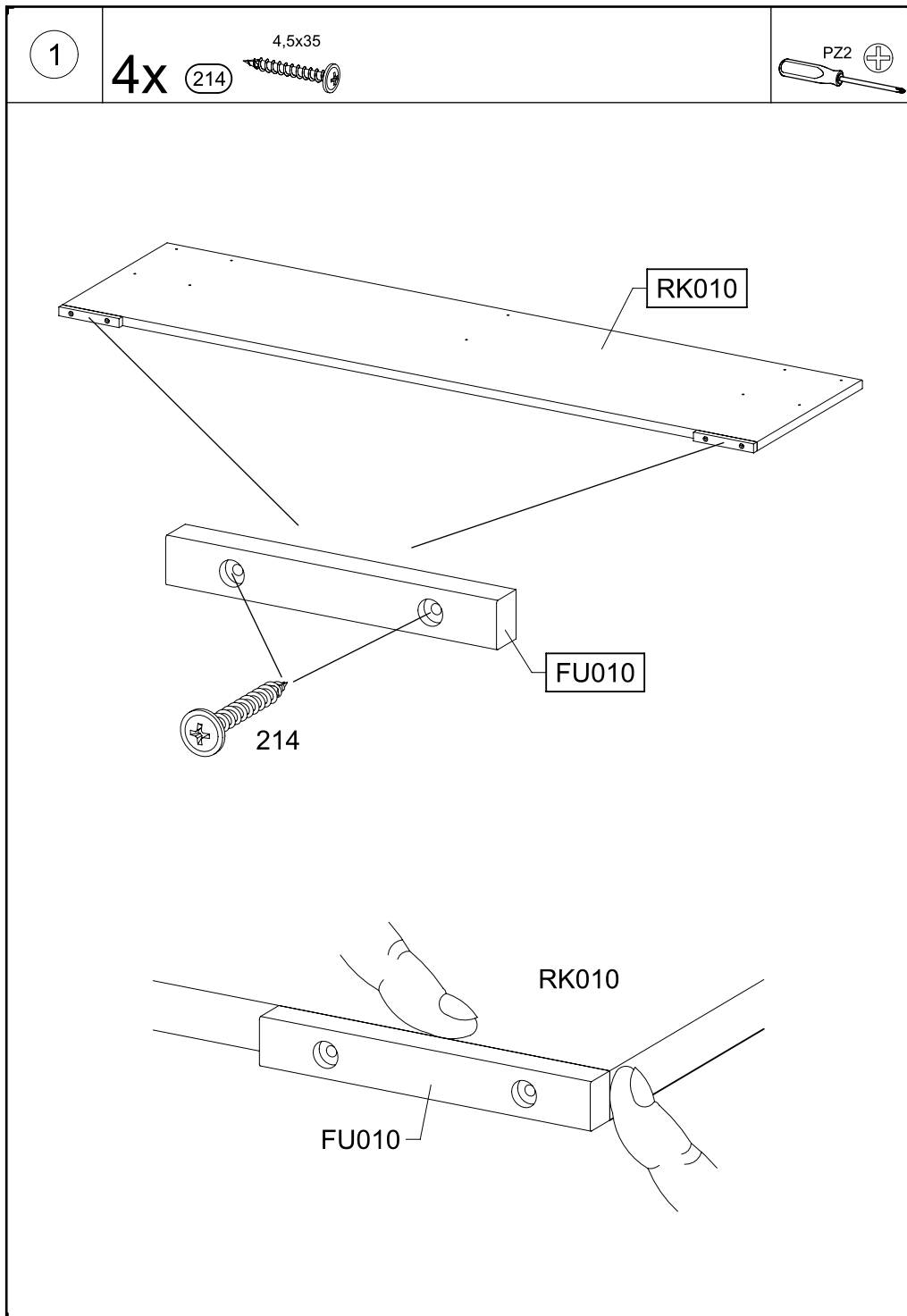


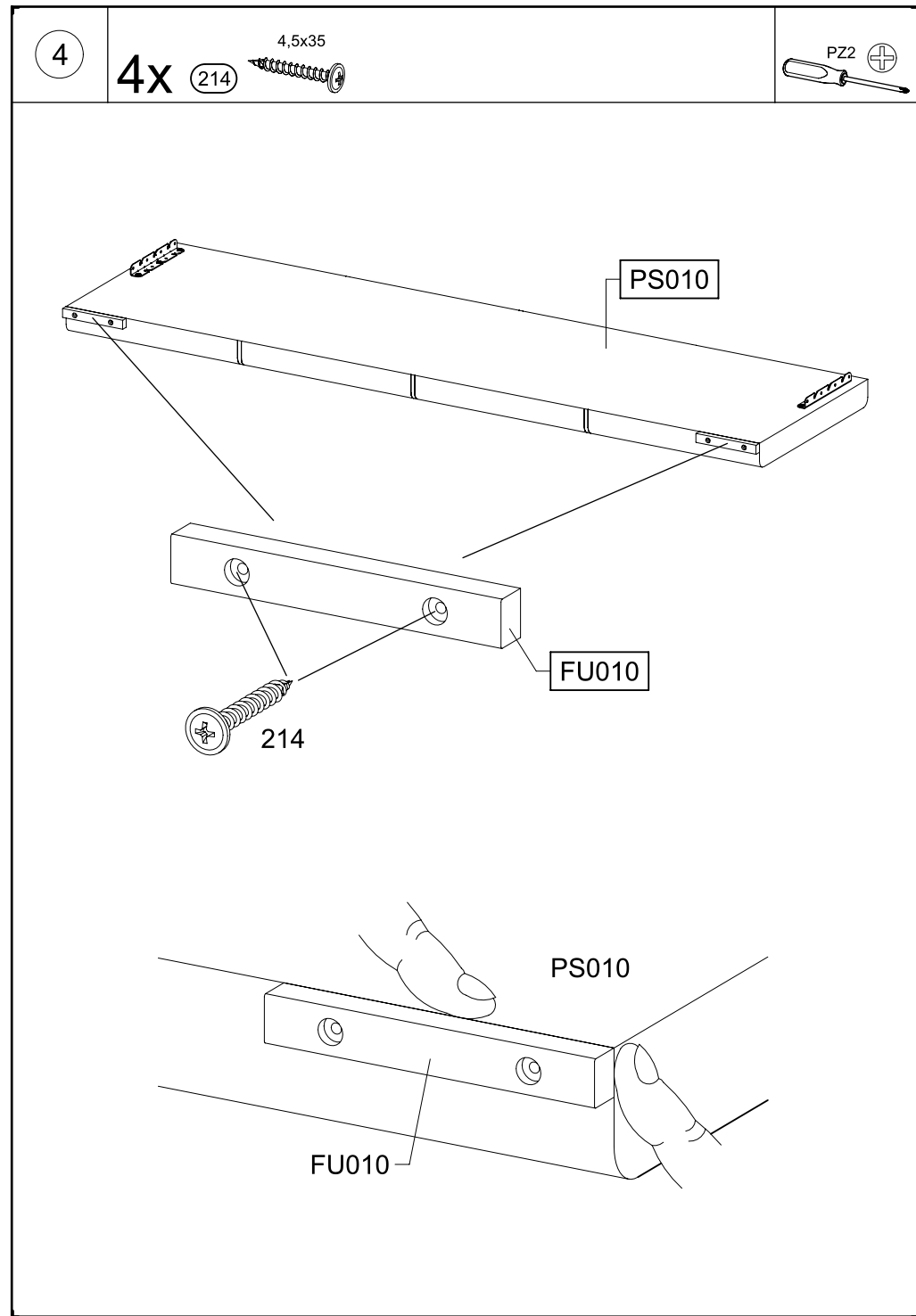
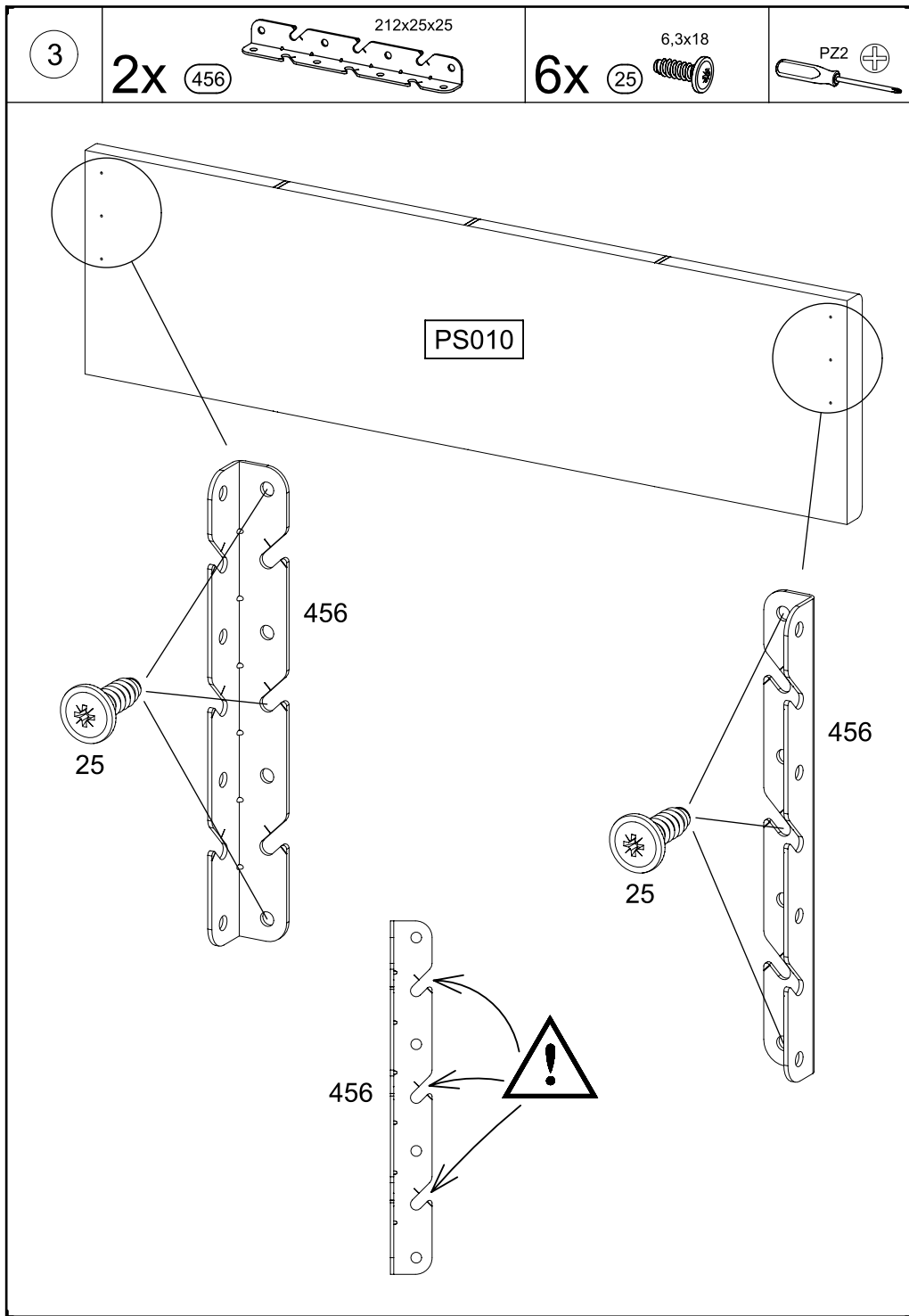
PS010



FU010





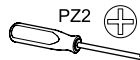
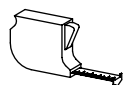


5

8x

25

6,3x18



25

BS010

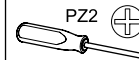
BS020

25



5mm

6



BS010

RK010

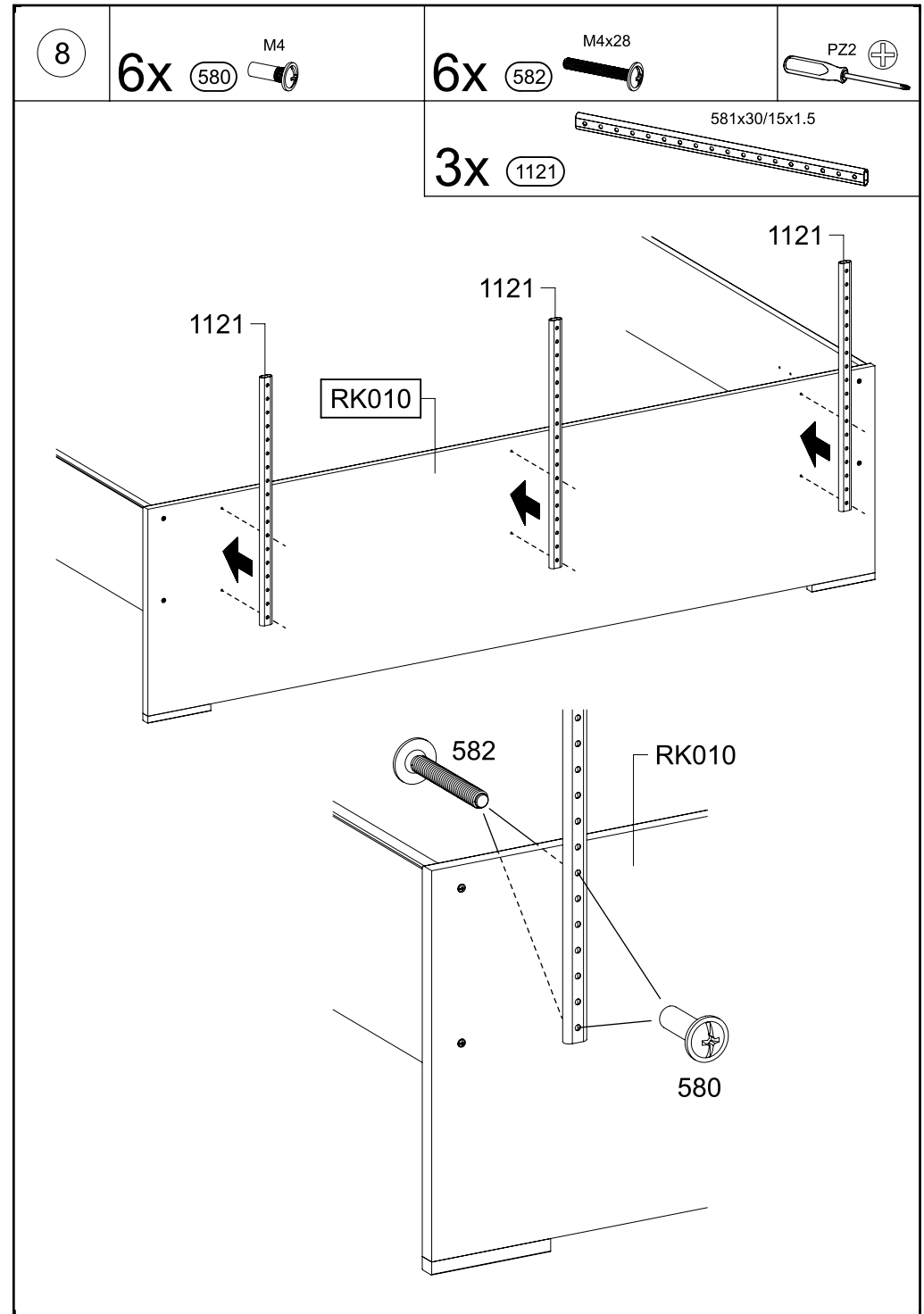
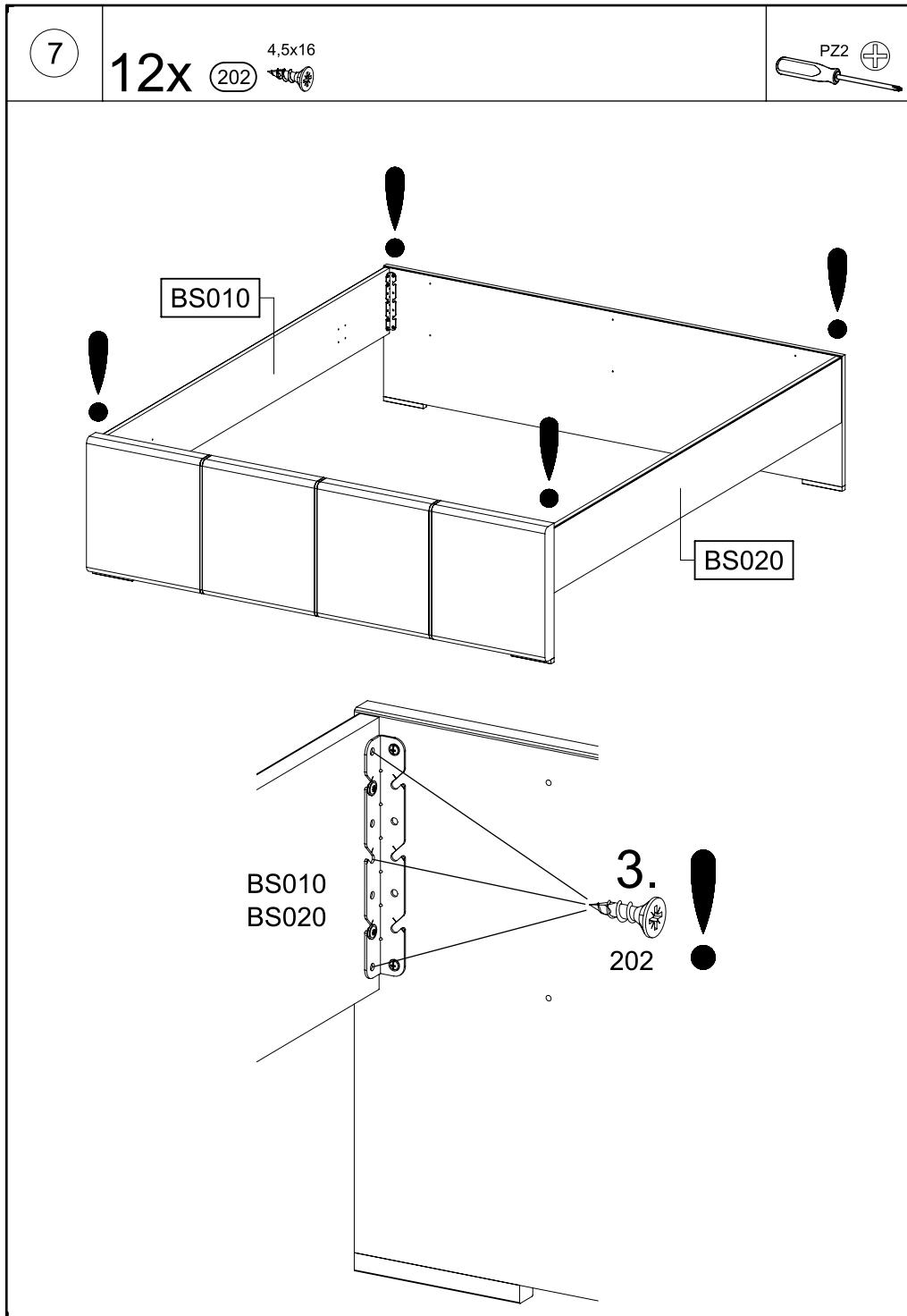
1.

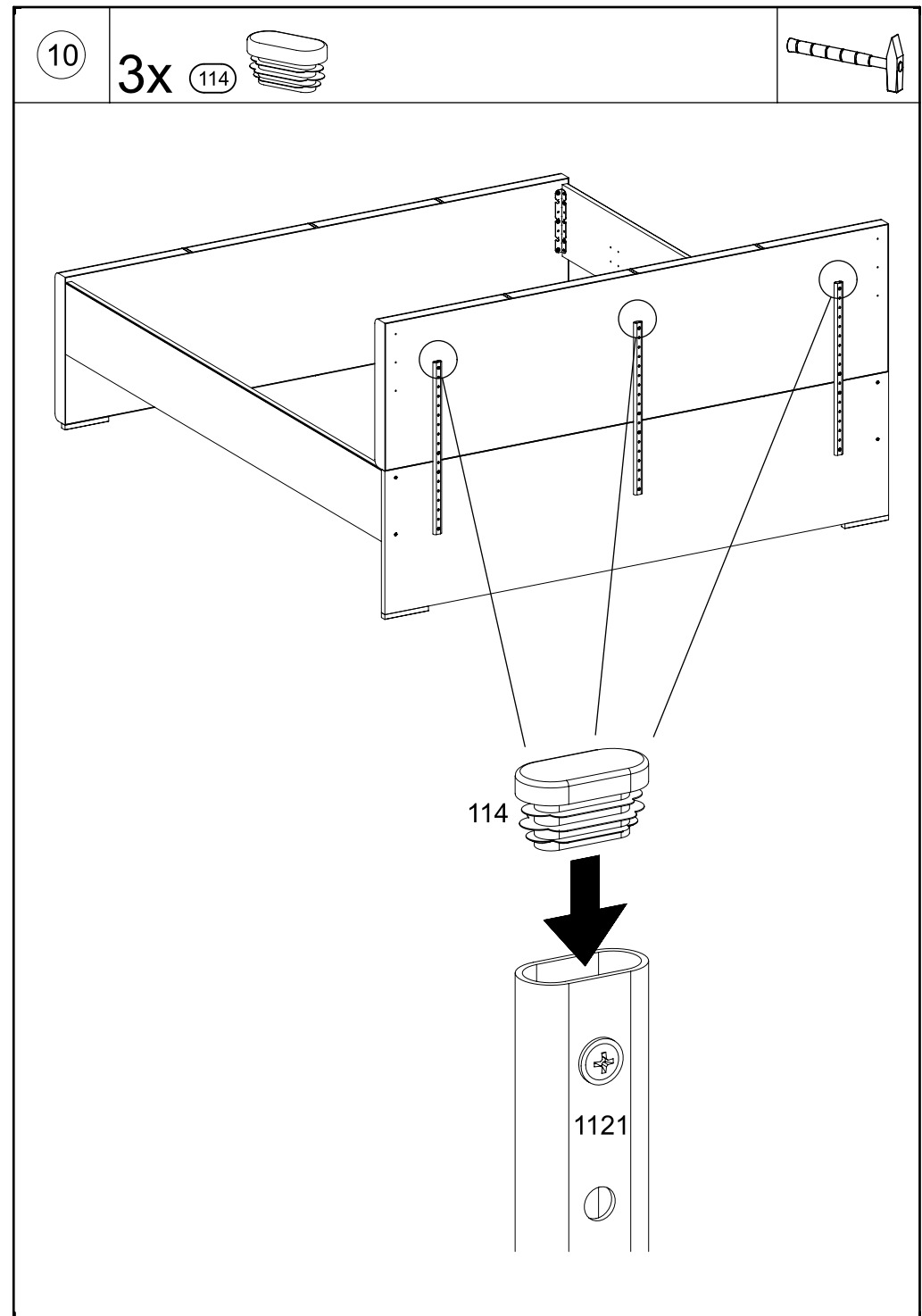
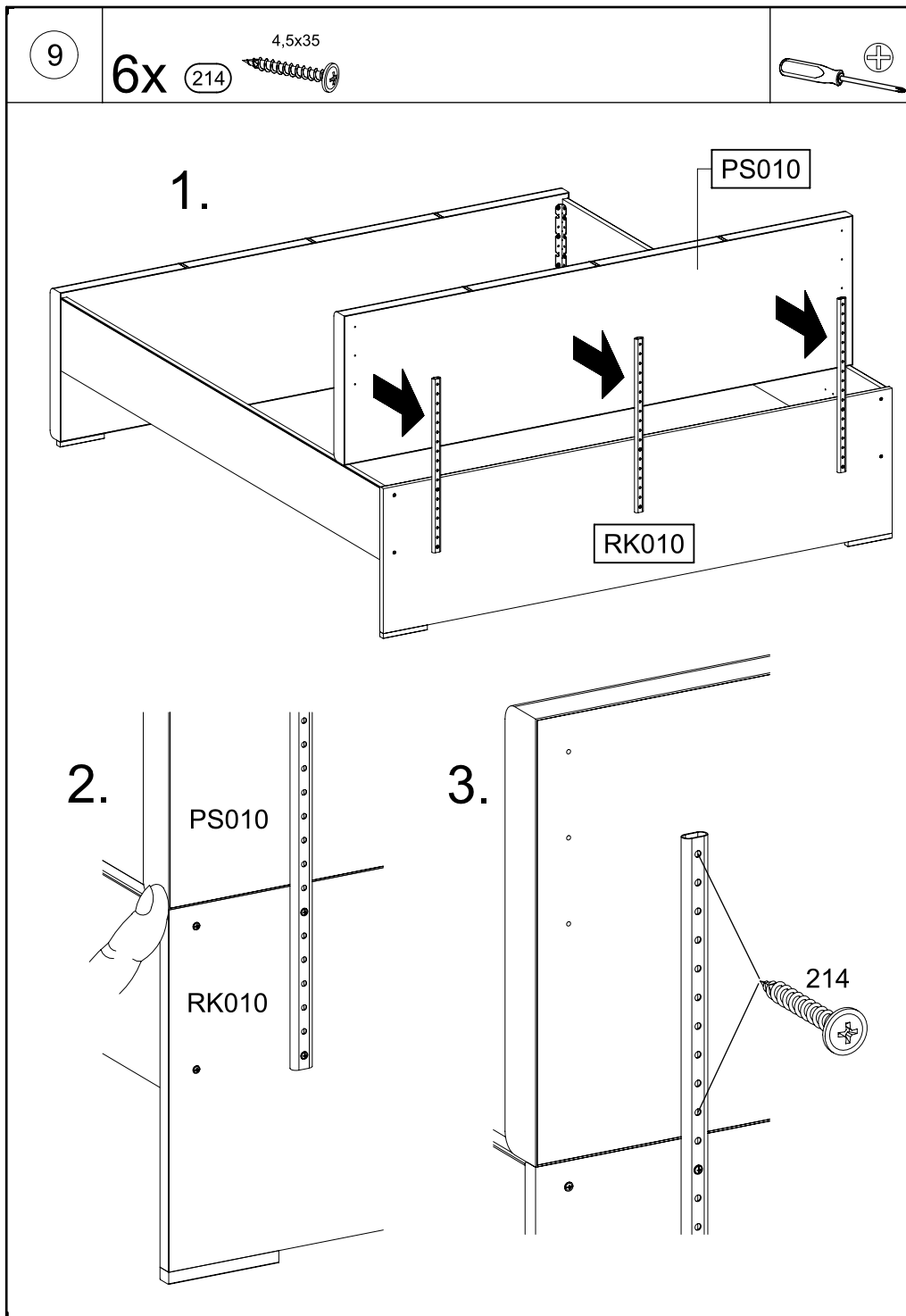
BS020

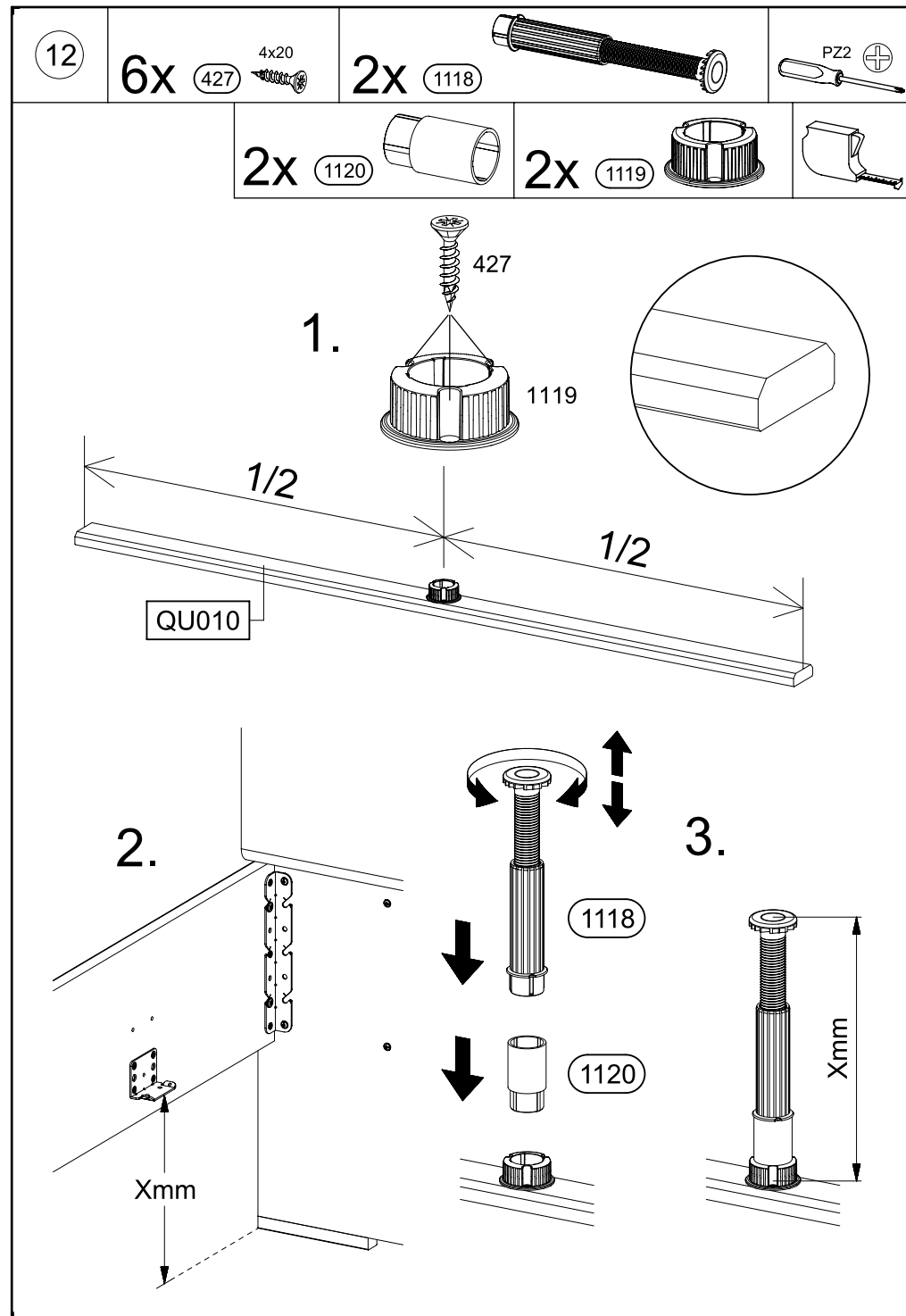
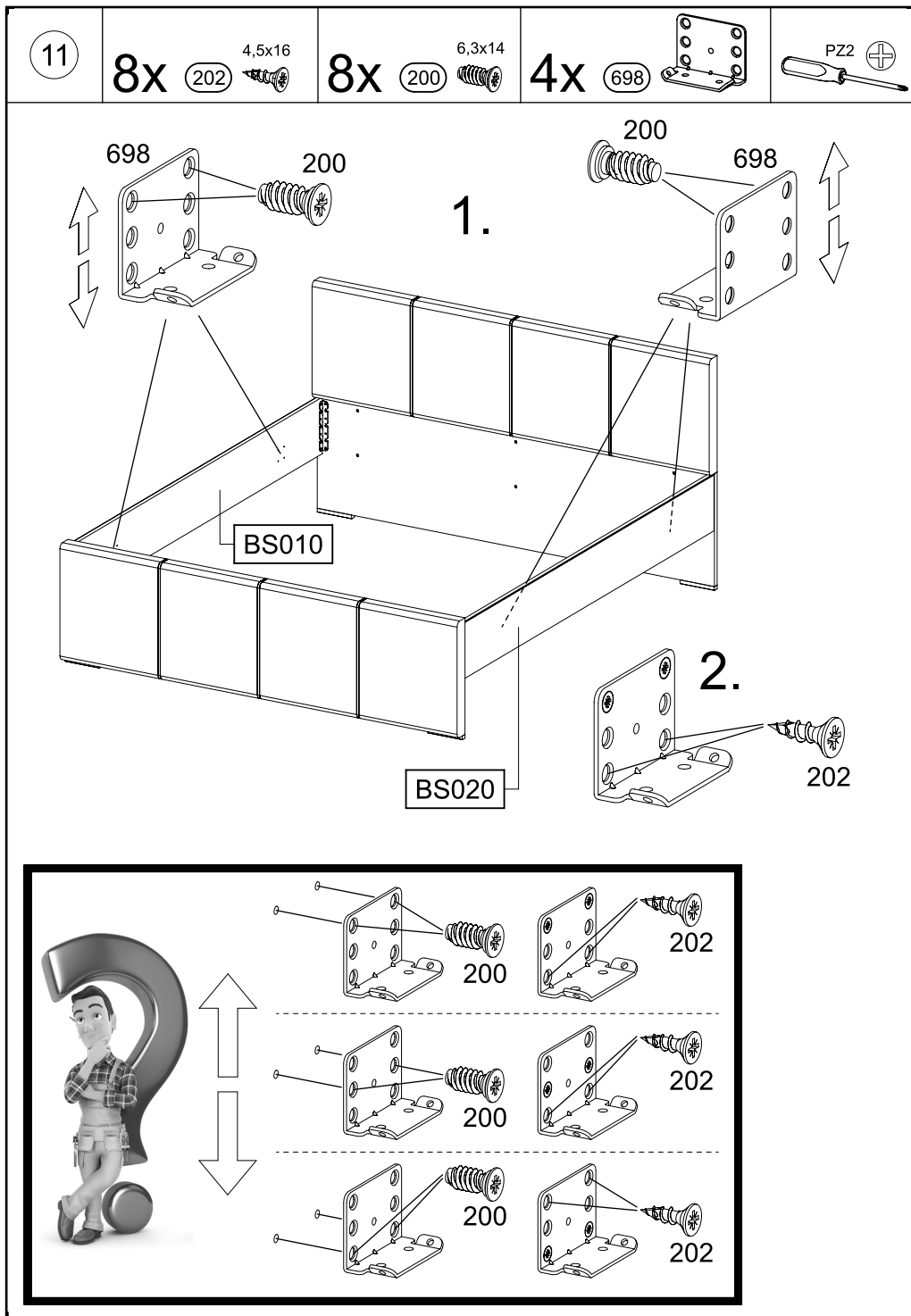
FT010

2.

BS010
BS020

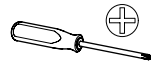




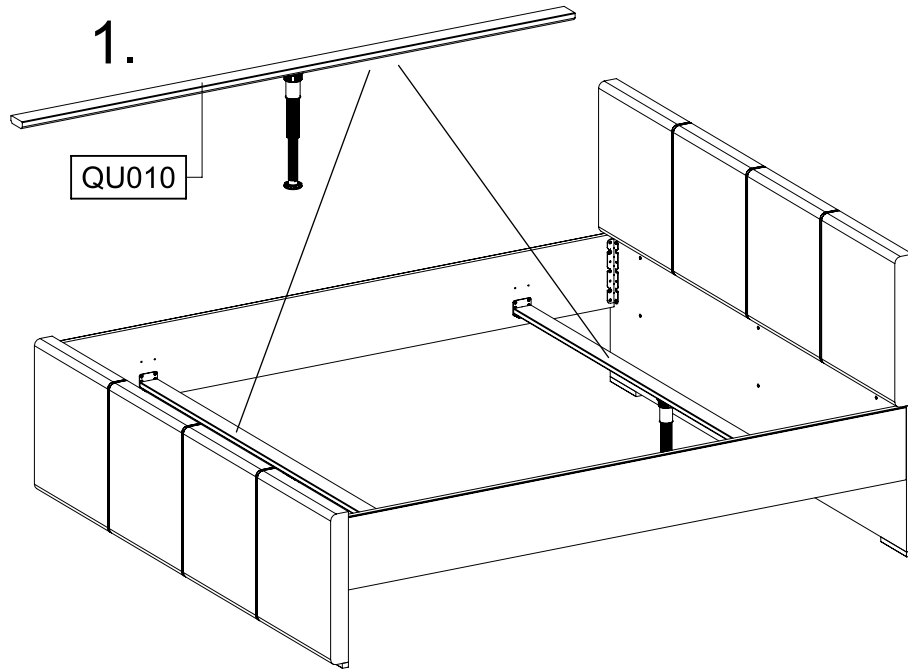


13

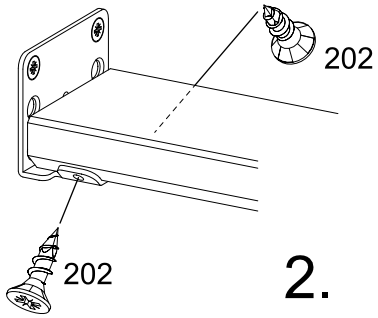
8x 4,5x16 202



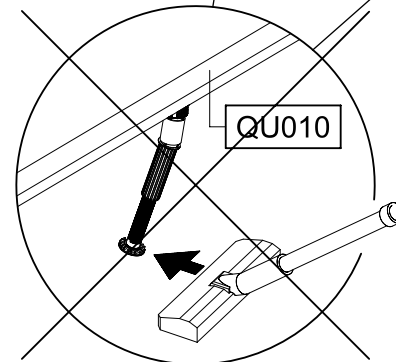
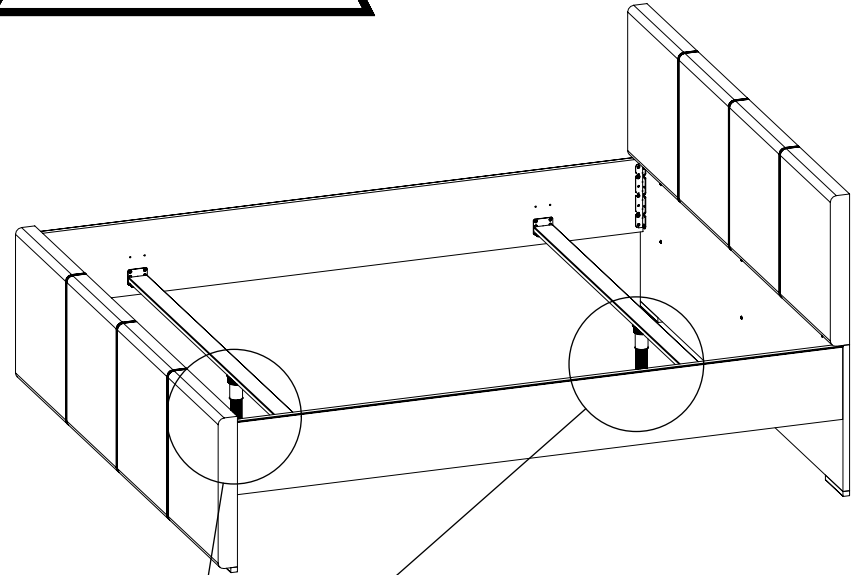
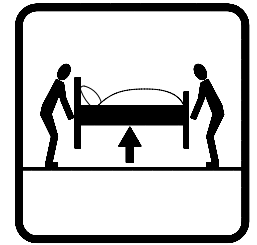
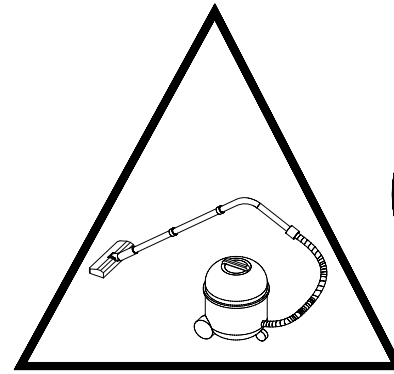
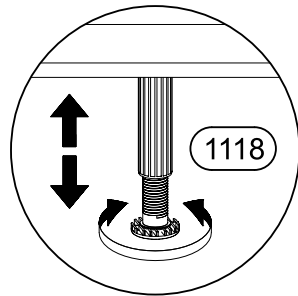
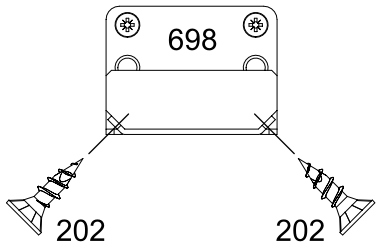
1.



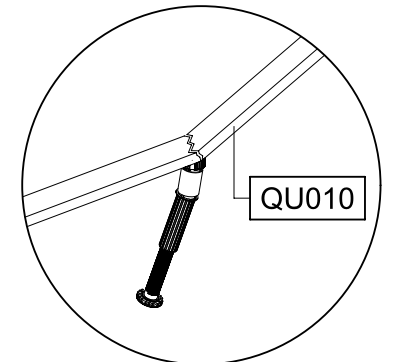
QU010



2.



QU010



QU010