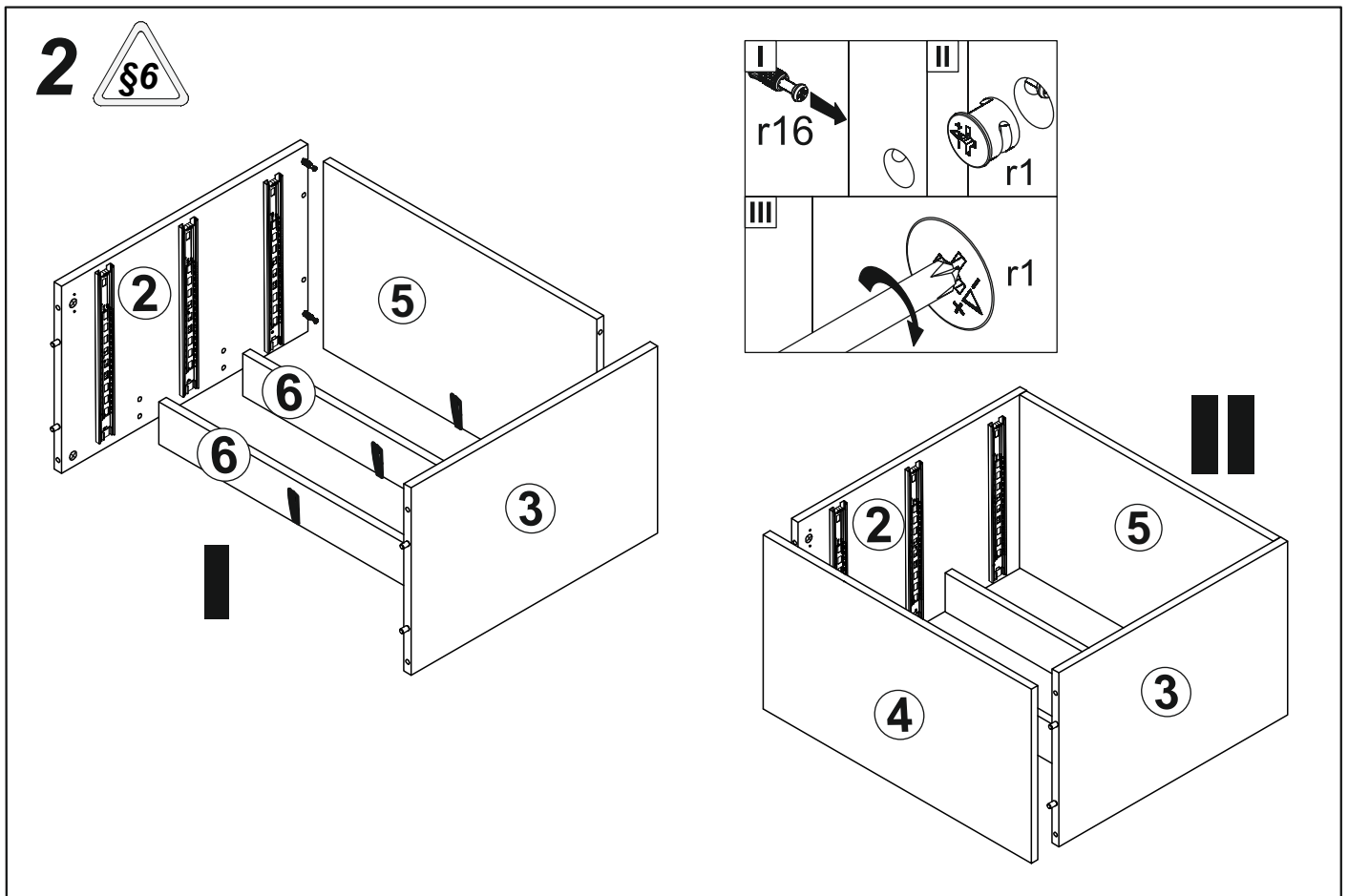
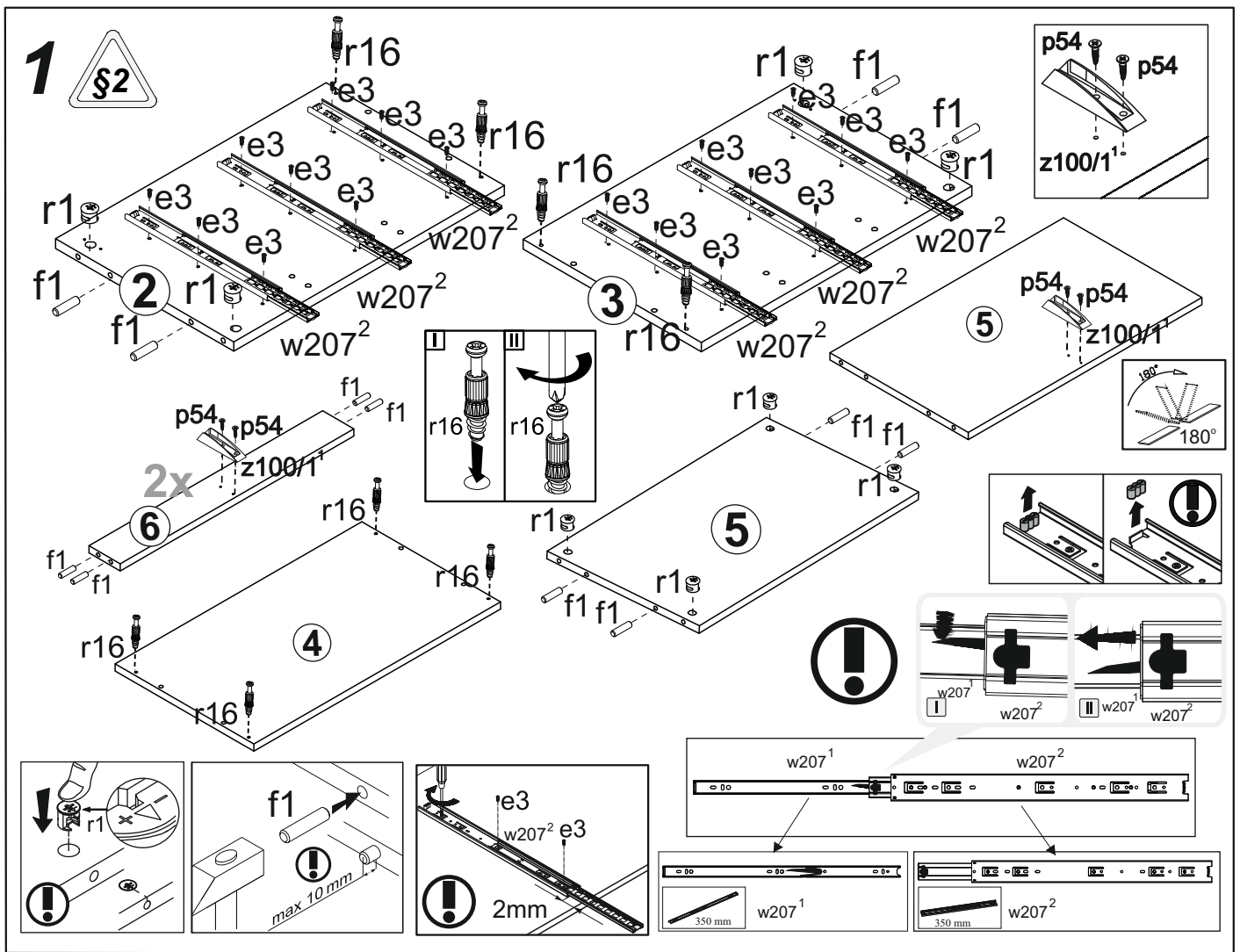
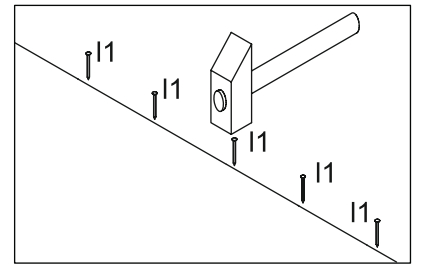
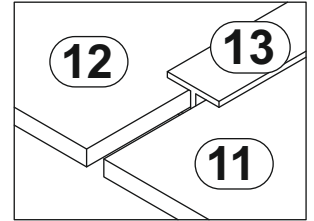
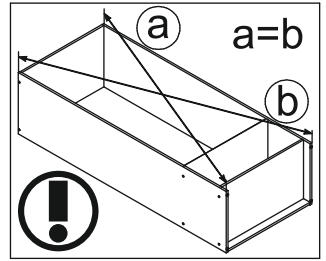
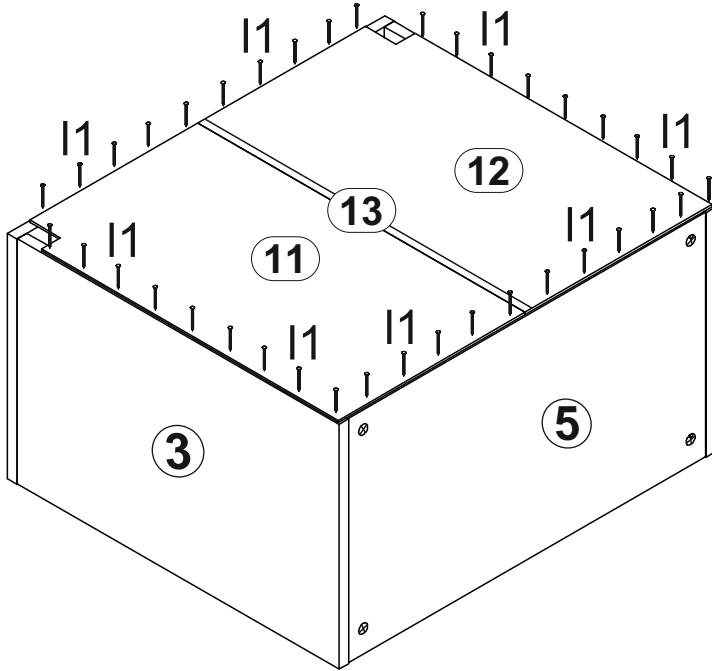


A	B	C	D	
1	VT2- 002	624	180	1/1
2	VT2- 103	537	354	1/1
3	VT2- 104	537	354	1/1
4	VT2- 202	630	355	1/1
5	VT2- 303	597	353	1/1
6	VT2- 407	597	80	1/1
7	VT2- 551	350	110	1/1
8	VT2- 552	350	110	1/1
9	VT2- 553	539	86	1/1
10	VT2- 902	554	357	1/1
11	VT2- 903	312	547	1/1
12	VT2- 906	312	547	1/1
13	LH- 523	523	14	1/1

20x φ15x12mm #16 <b>r1</b>	20x 20/9 <b>r16</b>	14x φ16 <b>s2</b>	16x φ8x30 mm <b>f1</b>	40x <b>l1</b>	2x <b>n10</b>
2x <b>n1221</b>	4x φ4x30 mm <b>p21</b>	6x 350 <b>w207/1</b>	6x 350 <b>w207/2</b>	18x φ3,5x12 mm <b>p140</b>	18x φ6x13 mm <b>e3</b>
12x φ5x50 mm <b>e32</b>	9x φ3x12 mm <b>p54</b>	3x <b>z100/1<sup>1</sup></b>	3x <b>z100/1<sup>2</sup></b>		
		3x <b>z100/1<sup>3</sup></b>	3x <b>z100/1<sup>4</sup></b>		



# 3



# 4

