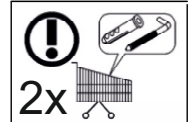
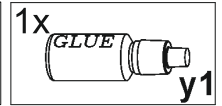
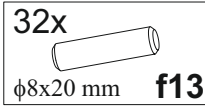
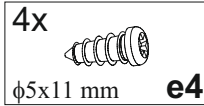
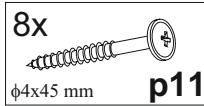
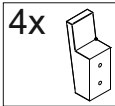
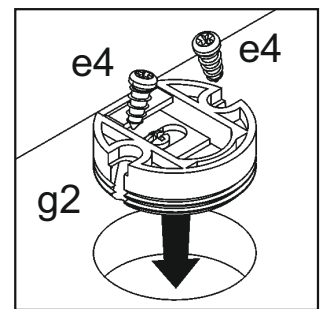
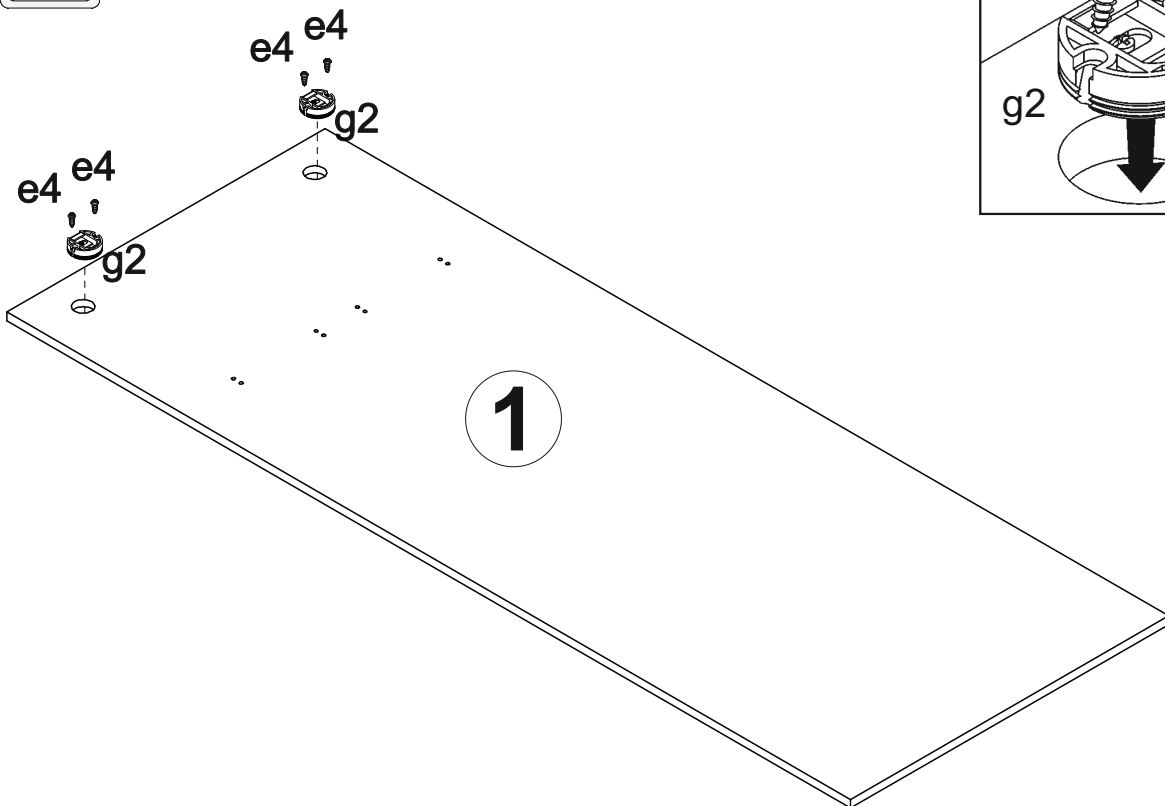


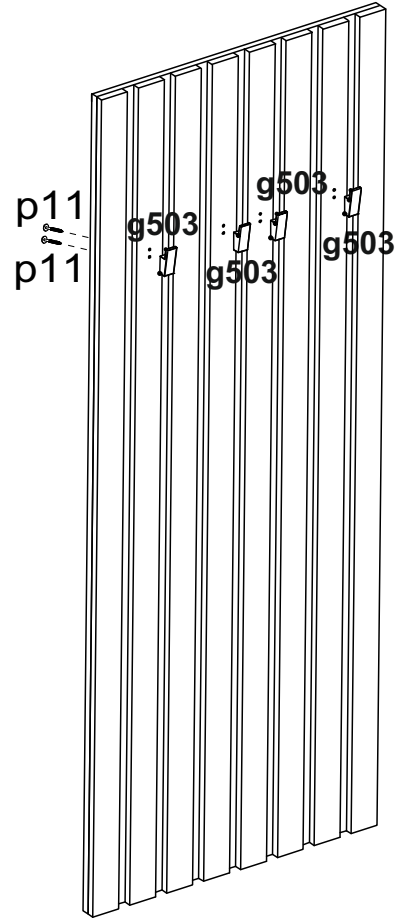
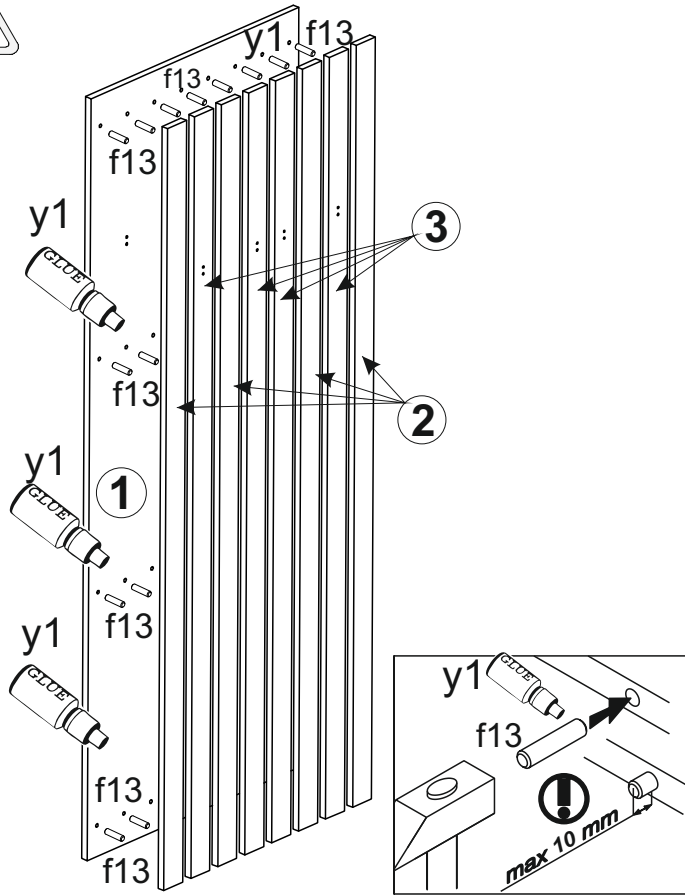
A	B	C		D
1	RN1 -404	1705	669	1/2
2	RN1 -405	1705	61	1/2
3	RN1 -406	1705	61	1/2



1



2



3

